



AlphaServer and AlphaStation Keyboard/Mouse/Video Extension Cable Kit Installation Information

EK-450KM-IN. E01

June 1996

Introduction

The 2T-450KM keyboard/mouse/video extension cable kit is used with AlphaServer and AlphaStation systems to extend the keyboard, mouse, and video monitor cables and to allow the keyboard, mouse, and video monitor to be located *outside* the system equipment cabinet. The 2T-450KM keyboard/mouse/video extension cable kit consists of two 2 m (6.56 ft) keyboard/mouse cables and one 2 m (6.56 ft) video cable.

Installing the 2T-450KM Keyboard/Mouse/Video Extension Cable Kit

Use Figure 1 and the following procedure to install the 2T-450KM keyboard/mouse/video extension cable kit:

1. Perform an orderly shutdown of the operating system and set the dc power switch on the operator control panel to off.
2. Open the rear door of the equipment cabinet to access the rear of the AlphaServer or AlphaStation chassis.
3. Connect the male end of one of the 2 m (6.56 ft) keyboard/mouse extension cables to the keyboard connector ❶ on the rear of the AlphaServer or AlphaStation chassis.
4. Route this extension cable to the cable management bracket ❷ on the rear of the AlphaServer or AlphaStation chassis (if a cable management bracket is installed) and secure it to the bracket using cable tie wraps.
5. Route this extension cable to the cabinet cable management bracket ❸ (if a cabinet cable management bracket is installed) and secure it along the outside of the bracket using cable tie wraps.

CAUTION

Ensure that there is enough slack in the extension cable to prevent stress (pulling) where the extension cable is attached to the two cable management brackets (if installed) when the chassis is fully extended on the slides.

6. Route this extension cable down and out through the cable egress area located at the bottom rear of the equipment cabinet.
7. Connect the female end of the keyboard extension cable ❹ to the keyboard cable ❺.

8. Connect the male end of the other 2 m (6.56 ft) keyboard/mouse extension cable to the mouse connector ⑥ on the rear of the AlphaServer or AlphaStation chassis.
9. Route this extension cable to the cable management bracket ② on the rear of the AlphaServer or AlphaStation chassis (if a cable management bracket is installed) and secure it to the bracket using cable tie wraps.
10. Route this extension cable to the cabinet cable management bracket ③ (if a cabinet cable management bracket is installed) and secure it along the outside of the bracket using cable tie wraps.

CAUTION

Ensure that there is enough slack in the extension cable to prevent stress (pulling) where the extension cable is attached to the two cable management brackets (if installed) when the chassis is fully extended on the slides.

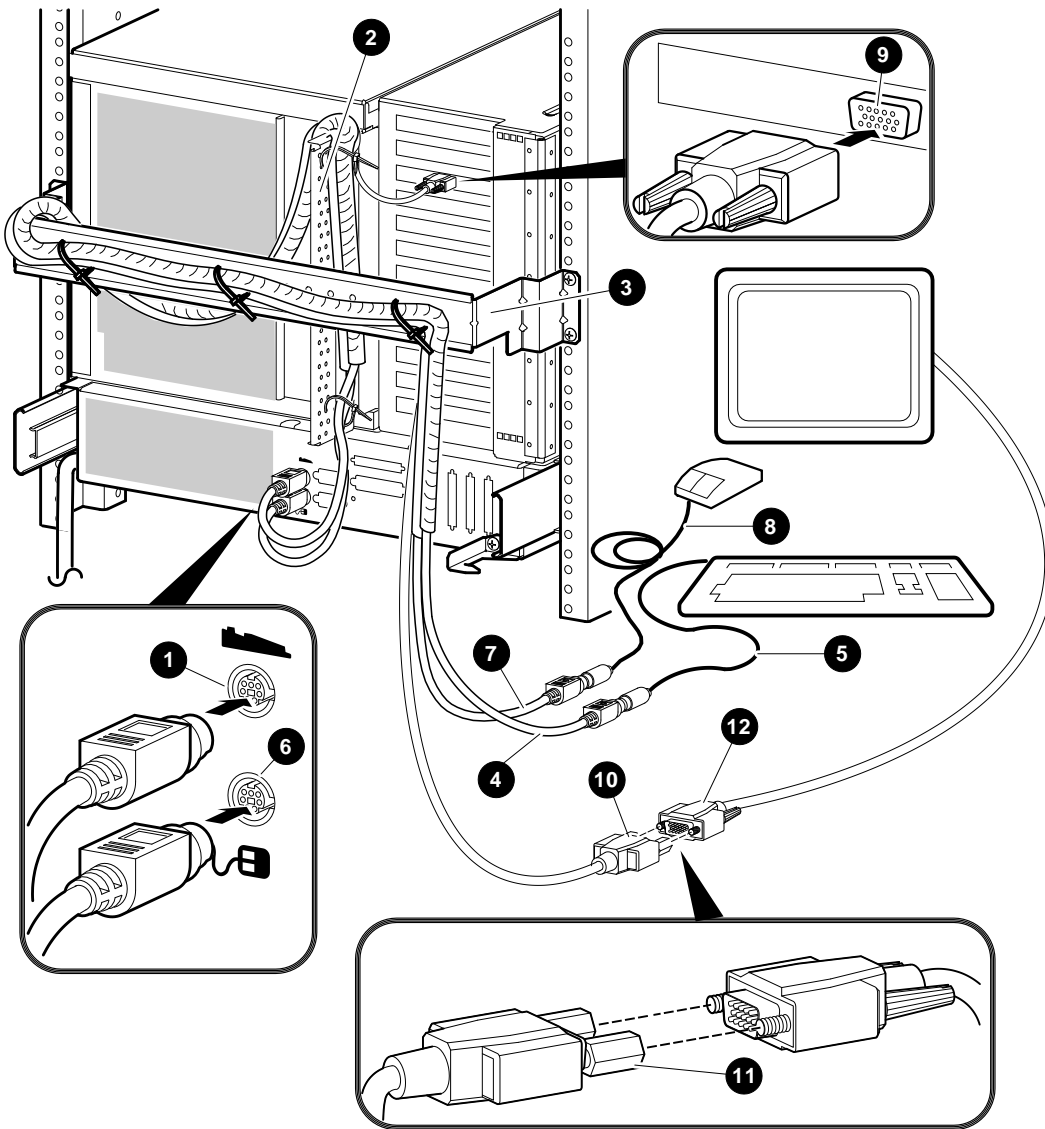
11. Route this extension cable down and out through the cable egress area located at the bottom rear of the equipment cabinet.
12. Connect the female end of the mouse extension cable ⑦ to the mouse cable ③.
13. Connect the male end of the 2 m (6.56 ft) video extension cable to the video card connector ⑨ on the rear of the AlphaServer or AlphaStation chassis.
14. Route this extension cable to the cable management bracket ② on the rear of the AlphaServer or AlphaStation chassis (if a cable management bracket is installed) and secure it to the bracket using cable tie wraps.
15. Route this extension cable to the cabinet cable management bracket ③ (if a cabinet cable management bracket is installed) and secure it along the outside of the bracket using cable tie wraps.

CAUTION

Ensure that there is enough slack in the extension cable to prevent stress (pulling) where the extension cable is attached to the two cable management brackets (if installed) when the chassis is fully extended on the slides.

16. Route this extension cable down and out through the cable egress area located at the bottom rear of the equipment cabinet.
17. On the female end of the video extension cable ⑩, ensure that two washers and standoffs ⑪ are installed.
18. Connect the female end of the video extension cable ⑩ to the male end of the video monitor cable ⑫.
19. Connect the other end of the video monitor cable to the video monitor.
20. Close the rear door of the equipment cabinet.
21. Set the dc power switch on the operator control panel to on.

Figure 1: Installing the Keyboard/Mouse/Video Extension Cables



LJ-03885-T10B

NOTE

For purposes of illustration, Figure 1 shows the keyboard/mouse/video extension cable kit installed on an AlphaServer 2100 RM system. By following these installation instructions, this extension cable kit can be installed on other AlphaServer or AlphaStation systems.

The following are trademarks of Digital Equipment Corporation: AlphaServer, AlphaStation, and the DIGITAL logo.

S3300

© Digital Equipment Corporation 1996. All Rights Reserved.

