

Alpha PCI 64-275

Design Guide

Order Number: EK-AL275-UG. A01

This manual describes the Alpha PCI 64-275 motherboard, order number EBP30-AN, configured for the Microsoft Windows NT operating system.

Revision/Update Information: This is a new manual.

April 1996

While Digital believes the information included in this document is correct as of the date of publication, it is subject to change without notice.

Digital Equipment Corporation makes no representations that the use of its products in the manner described in this publication will not infringe on existing or future patent rights, nor do the descriptions contained in this publication imply granting of licenses to make, use, or sell equipment or software in accordance with the description.

© Digital Equipment Corporation 1995, 1996. All rights reserved.
Printed in U.S.A.

DEC, DECchip, DECladebug, OpenVMS, the AlphaGeneration design mark, and the DIGITAL logo are trademarks of Digital Equipment Corporation.

Digital Semiconductor is a Digital Equipment Corporation business.

Digital UNIX Version 3.2 for Alpha is a UNIX 93 branded product.

ABT is a registered trademark of Applied Business Technologies, Inc.

AMD and MACH are registered trademarks of Advanced Micro Devices, Inc.

Intel is a trademark of Intel Corporation.

National is a registered trademark of National Semiconductor Corporation.

NEC is a registered trademark of NEC Corporation.

OSF/1 is a registered trademark of Open Software Foundation, Inc.

PHOENIX is a registered trademark of Phoenix Technologies, Ltd.

TriQuint is a trademark of TriQuint Semiconductor, Inc.

Windows NT is a trademark of Microsoft Corporation.

Xilinx is a trademark of Xilinx, Incorporated.

UNIX is a registered trademark in the United States and other countries licensed exclusively through X/Open Limited.

All other trademarks and registered trademarks are the property of their respective owners.

This document was prepared using VAX DOCUMENT, Version 2.1.

Contents

Preface	xiii
1 Alpha PCI 64-275 Introduction	
1.1 System Components and Features	1-1
1.1.1 Memory Subsystem	1-2
1.1.2 DECchip 21072 Support Chipset	1-2
1.1.3 PAL Control Set	1-2
1.1.4 Level 2 Cache Subsystem Overview	1-4
1.1.5 Clock Subsystem Overview	1-4
1.1.6 PCI Interface Overview	1-4
1.1.7 ISA Interface Overview	1-4
1.1.8 Software Support	1-5
1.2 Board Uses	1-6
2 System Jumpers and Connectors	
2.1 Configuration Jumpers	2-1
2.1.1 Software Configuration Jumpers	2-1
2.1.2 Hardware Configuration Jumpers	2-5
2.2 Alpha PCI 64-275 Board Connectors	2-6
3 Functional Description	
3.1 Chipset Introduction	3-1
3.1.1 21071-CA Introduction	3-2
3.1.2 21071-DA Introduction	3-4
3.1.3 21071-BA Introduction	3-7
3.2 21071-CA Functional Overview	3-8

3.2.1	sysBus Interface	3-8
3.2.1.1	sysBus Arbitration	3-9
3.2.1.2	L2 Cache Control	3-9
3.2.1.3	sysBus Control	3-10
3.2.1.4	Address Decoding	3-10
3.2.1.5	Error Handling	3-10
3.2.2	Memory Controller	3-11
3.2.2.1	Memory Organization	3-11
3.2.2.2	Memory Address Generation	3-11
3.2.2.3	Memory Page Mode Support	3-11
3.2.2.4	Read Latency Minimization	3-11
3.2.2.5	Transaction Scheduler	3-12
3.2.2.6	Programmable Memory Timing	3-12
3.2.2.7	Presence Detect Logic	3-12
3.3	21071-DA Functional Overview	3-13
3.3.1	sysBus Interface	3-14
3.3.1.1	Address Decode	3-14
3.3.1.2	I/O Write Transaction Buffering	3-14
3.3.1.3	I/O Read Data Buffering	3-14
3.3.1.4	Wrapping Mode	3-14
3.3.2	PCI Interface	3-14
3.3.2.1	DMA Address Translation	3-14
3.3.2.2	DMA Write Buffer	3-15
3.3.2.3	DMA Read Buffer	3-15
3.3.2.4	PCI Burst Length and Prefetching	3-15
3.3.2.5	PCI Burst Order	3-16
3.3.2.6	PCI Parity Support	3-16
3.3.2.7	PCI Exclusive Access	3-16
3.3.2.8	PCI Bus Parking	3-16
3.3.2.9	PCI Retry Timeout	3-17
3.3.2.10	PCI Master Timeout	3-17
3.3.2.11	Address Stepping in Configuration Cycles	3-17
3.3.2.12	Data Coherency	3-17
3.3.2.13	Deadlock Resolution	3-18
3.3.2.14	Guaranteed Access-Time Mode	3-19
3.3.2.15	Interrupts	3-19
3.4	21071-BA Functional Overview	3-20
3.4.1	sysData Bus	3-20
3.4.2	memData Bus	3-21
3.4.3	epiData Bus	3-21
3.4.4	Memory Read Buffer	3-21
3.4.5	I/O Read Buffer and Merge Buffer	3-21
3.4.6	I/O Write Buffer and DMA Read Buffer	3-21

3.4.7	DMA Write Buffer	3-22
3.4.8	Memory Write Buffer	3-22
3.4.9	Error Checking	3-22
3.4.10	epiBus Data Path	3-22
3.4.11	sysBus Output Selectors	3-22
3.5	Error Handling	3-23
3.6	Clock Subsystem	3-24
3.6.1	TriQuint PLL Clock Oscillator	3-24
3.6.2	System Clock Distribution	3-25
3.7	PCI Interrupts and Arbitration	3-29
3.7.1	System Interrupts	3-29
3.7.2	PCI/ISA Arbitration	3-32
3.8	PCI Devices	3-33
3.8.1	Intel Saturn IO Chip	3-33
3.8.2	PCI Expansion Slots	3-33
3.8.3	PCI Graphics Interface	3-33
3.9	ISA Devices	3-34
3.9.1	Keyboard and Mouse Controller	3-34
3.9.2	Combination Controller	3-35
3.9.3	Time-of-Year Clock	3-36
3.9.4	Utility Bus Memory Devices	3-36
3.9.5	ISA Expansion Slots	3-37
3.10	Serial ROM	3-37
3.11	dc Power Distribution	3-38
3.12	Reset and Initialization	3-38
3.13	System Software	3-40
3.13.1	Serial ROM Code	3-40
3.13.2	Flash ROM Code	3-42
3.13.3	Operating Systems	3-42

4 System Address Mapping

4.1	CPU Address Mapping to PCI Space	4-1
4.1.1	Cacheable Memory Space (0 0000 0000 to 0 FFFF FFFF) ...	4-4
4.1.2	Noncacheable Memory Space (1 0000 0000 to 1 7FFF FFFF)	4-4
4.1.3	DECchip 21071-CA CSR Space (1 8000 0000 to 1 9FFF FFFF)	4-5
4.1.4	DECchip 21071-DA CSR Space (1 A000 0000 to 1 AFFF FFFF)	4-7
4.1.5	PCI Interrupt Acknowledge/Special Cycle Space (1 B000 0000 to 1 BFFF FFFF)	4-8
4.1.6	PCI Sparse I/O Space (1 C000 0000 to 1 DFFF FFFF)	4-9

4.1.7	PCI Configuration Space (1 E000 0000 to 1 FFFF FFFF) . . .	4-12
4.1.7.1	PCI Configuration Cycles to Primary Bus Targets	4-14
4.1.7.2	PCI Configuration Cycles to Secondary Bus Targets	4-14
4.1.8	PCI Sparse Memory Space (2 0000 0000 to 2 FFFF FFFF)	4-15
4.1.9	PCI Dense Memory Space (3 0000 0000 to 3 FFFF FFFF) . . .	4-18
4.2	PCI-to-Physical Memory Addressing	4-19

5 Board Requirements and Parameters

5.1	Power Requirements	5-1
5.2	Environmental Characteristics	5-2
5.3	Physical Board Parameters	5-2

A System Register Descriptions

A.1	DECchip 21071-CA CSR Descriptions	A-1
A.1.1	General Control Register	A-1
A.1.2	Error and Diagnostic Status Register	A-4
A.1.3	Tag Enable Register	A-7
A.1.4	Error Low Address Register	A-9
A.1.5	Error High Address Register	A-9
A.1.6	LD _x _L Low Address Register	A-10
A.1.7	LD _x _L High Address Register	A-10
A.1.8	Memory Control Registers	A-11
A.1.8.1	Video Frame Pointer Register	A-11
A.1.8.2	Presence Detect Low-Data Register	A-12
A.1.8.3	Presence Detect High-Data Register	A-13
A.1.8.4	Base Address Registers	A-13
A.1.8.5	Configuration Registers	A-14
A.1.8.6	Bank Set Timing Registers A and B	A-18
A.1.8.7	Global Timing Register	A-23
A.1.8.8	Refresh Timing Register	A-24
A.2	DECchip 21071-DA CSR Descriptions	A-25
A.2.1	Dummy Registers 1 Through 3	A-25
A.2.2	Diagnostic Control and Status Register	A-26
A.2.3	sysBus Error Address Register	A-30
A.2.4	PCI Error Address Register	A-31
A.2.5	Translated Base Registers 1 and 2	A-32
A.2.6	PCI Base Registers 1 and 2	A-33
A.2.7	PCI Mask Registers 1 and 2	A-34
A.2.8	Host Address Extension Register 0	A-35
A.2.9	Host Address Extension Register 1	A-35

A.2.10	Host Address Extension Register 2	A-37
A.2.11	PCI Master Latency Timer Register	A-38
A.2.12	TLB Tag Registers 0 Through 7	A-39
A.2.13	TLB Data Registers 0 Through 7	A-40
A.2.14	Translation Buffer Invalidate All Register	A-40

B SROM Initialization

B.1	SROM Initialization	B-1
B.1.1	Firmware Interface	B-2
B.1.2	Automatic CPU Speed Detection	B-4
B.1.3	CPU Bus Interface Timing	B-4
B.1.4	L2 Cache Read and Write Calculations	B-6
B.1.5	Memory Initialization	B-8
B.1.6	L2 Cache Initialization	B-9
B.1.7	Flash ROM (System ROM)	B-10
B.1.7.1	Special Flash ROM Headers	B-10
B.1.7.2	Flash ROM Structure	B-12
B.1.7.3	Flash ROM Access	B-15
B.1.8	Icache Flush Code	B-16
B.1.9	Alpha PCI 64-275 Configuration Jumpers	B-16

C PCI Address Maps

C.1	PCI Interrupt Acknowledge/Special Cycle Address Space	C-1
C.2	PCI Sparse I/O Address Space	C-1
C.3	SIO PCI-to-ISA Bridge Operating Register Address Space	C-1
C.4	PCI Configuration Address Space	C-5
C.5	SIO PCI-to-ISA Bridge Configuration Address Space	C-6
C.6	PCI Sparse Memory Address Space	C-7
C.7	PCI Dense Memory Address Space	C-7
C.8	PC87312 Combination Controller Register Address Space	C-7
C.9	Utility Bus Device Address	C-10
C.10	Interrupt Control PLD Addresses	C-12
C.11	8242PC Keyboard and Mouse Controller Addresses	C-12
C.12	Time-of-Year Clock Device Addresses	C-12
C.13	Flash ROM	C-13
C.13.1	Flash Memory Segment Select Register	C-14
C.13.2	Flash Memory Addresses	C-14
C.13.3	Flash ROM Configuration Registers	C-14
C.13.4	Flash ROM Memory Map	C-15

D Technical Support and Documentation Ordering Information

D.1	Technical Support	D-1
D.2	Ordering Associated Literature	D-2
D.3	Ordering Third-Party Documentation	D-3

Index

Figures

1-1	Alpha PCI 64-275 Functional Block Diagram	1-3
1-2	Alpha PCI 64-275 Component Layout and Board Dimensions	1-7
2-1	Alpha PCI 64-275 Board Jumpers	2-2
2-2	J3 Connector	2-3
2-3	Alpha PCI 64-275 Board Connectors	2-7
3-1	Maximum and Minimum SIMM Bank Layouts	3-3
3-2	Basic Cache and Memory Subsystem Address and Data Paths	3-4
3-3	Basic I/O Subsystem Address and Data Paths	3-5
3-4	21071-CA Block Diagram	3-8
3-5	Cache Subsystem for an 8MB Cache	3-9
3-6	DECchip 21071-DA Block Diagram	3-13
3-7	DECchip 21071-BA Block Diagram	3-20
3-8	TriQuint Clock Generator	3-24
3-9	Primary Clock Distribution Network	3-26
3-10	Buffered Clock Distribution Network	3-28
3-11	Interrupt Control and PCI Arbitration	3-30
3-12	Interrupt and Interrupt Mask Registers	3-32
3-13	ISA Devices	3-34
3-14	SROM Serial Port	3-37
3-15	dc Power Distribution	3-39
3-16	System Reset and Initialization	3-41
4-1	sysBus Address Map	4-2
4-2	PCI Sparse I/O Space Address Translation	4-10
4-3	PCI Memory Space Address Translation	4-16
4-4	PCI Target Window Compare Scheme	4-21
4-5	SG Map Page Table Entry in Memory	4-23

4-6	SG Map Translation of PCI to SysBus Address	4-25
5-1	Board Component Layout	5-3
A-1	General Control Register	A-2
A-2	Error and Diagnostic Status Register	A-4
A-3	Tag Enable Register	A-7
A-4	Error Low Address Register	A-9
A-5	Error High Address Register	A-10
A-6	LD _x _L Low Address Register	A-10
A-7	LD _x _L High Address Register	A-10
A-8	Video Frame Pointer Register	A-11
A-9	Presence Detect Low-Data Register	A-12
A-10	Presence Detect High-Data Register	A-13
A-11	Bank Set 0 Base Address Register	A-13
A-12	Bank Set 0 to 7 Configuration Register	A-15
A-13	Bank Set 8 Configuration Register	A-17
A-14	Bank Set Timing Register A	A-19
A-15	Bank Set Timing Register B	A-21
A-16	Global Timing Register	A-23
A-17	Refresh Timing Register	A-24
A-18	Diagnostic Control and Status Register	A-26
A-19	sysBus Error Address Register	A-30
A-20	PCI Error Address Register	A-31
A-21	Translated Base Registers 1 and 2	A-32
A-22	PCI Base Registers 1 and 2	A-33
A-23	PCI Mask Registers 1 and 2	A-34
A-24	Host Address Extension Register 0	A-35
A-25	Host Address Extension Register 1	A-35
A-26	Host Address Extension Register 2	A-37
A-27	PCI Master Latency Timer Register	A-38
A-28	TLB Tag Registers 0 Through 7	A-39
A-29	TLB Data Registers 0 Through 7	A-40
B-1	Write Cycle Timing	B-7
B-2	Special Header Content	B-10

Tables

1	Register Field Type Notation	xvi
2	Unnamed Register Field Notation	xvii
3	Data Units	xvii
4	Signal References	xviii
1-1	L2 Cache SIMM Sizes	1-4
2-1	Jumper Position Descriptions	2-3
2-2	Alpha PCI 64-275 Board Jumpers	2-5
2-3	Module Connector Descriptions (See Figure 2-3)	2-8
2-4	List of Connector and Jumper Part Numbers	2-13
3-1	TriQuint Operating Frequencies	3-24
3-2	Distribution of 66-MHz Clock Signals	3-27
3-3	Distribution of 33-MHz Shifted Clock Signals	3-27
3-4	Distribution of 33-MHz Clock Signals	3-28
3-5	CPU Interrupt Assignment	3-29
4-1	sysBus Address Space Description	4-3
4-2	DECchip 21071-CA CSR Register Addresses	4-5
4-3	DECchip 21071-DA CSR Register Addresses	4-7
4-4	PCI Sparse I/O Space Byte Enable Generation	4-11
4-5	PCI Configuration Space Definition	4-12
4-6	PCI Address Decoding for Primary Bus Configuration Accesses	4-13
4-7	PCI Sparse Memory Space Byte Enable Generation	4-17
4-8	PCI Target Window Enables	4-20
4-9	PCI Target Address Translation—Direct Mapped	4-22
4-10	Scatter-Gather Map Address	4-24
5-1	Power Supply dc Current Requirements for Motherboard (275 MHz) Without I/O	5-1
5-2	Board Component Descriptions	5-4
A-1	General Control Register	A-2
A-2	Error and Diagnostic Status Register	A-4
A-3	Cache Size Tag Enable Values	A-8
A-4	Maximum Memory Tag Enable Values	A-8
A-5	Video Frame Pointer Register	A-11
A-6	Bank Set 0 to 7 Configuration Register	A-15
A-7	Bank Set 8 Configuration Register	A-17
A-8	Bank Set Timing Register A	A-19

A-9	Bank Set Timing Register B	A-22
A-10	Global Timing Register	A-23
A-11	Refresh Timing Register	A-24
A-12	Diagnostic Control and Status Register	A-27
A-13	Diagnostic Control and Status Register Field D_BYP<1:0>	A-29
A-14	sysBus Error Address Register	A-30
A-15	PCI Error Address Register	A-31
A-16	Translated Base Registers 1 and 2	A-32
A-17	PCI Base Registers 1 and 2	A-33
A-18	PCI Mask Registers 1 and 2	A-34
A-19	Host Address Extension Register 1	A-35
A-20	Host Address Extension Register 2	A-37
A-21	PCI Master Latency Timer Register	A-38
A-22	TLB Tag Registers 0 Through 7	A-39
A-23	TLB Data Registers 0 Through 7	A-40
B-1	Output Parameter Descriptions	B-2
B-2	Cache Loop Delay Characteristics	B-4
B-3	SRAM Timing Specification Definitions	B-5
B-4	Worst-Case SRAM Timing Specifications	B-6
B-5	CPU Specifications	B-6
B-6	Special Header Entry Descriptions	B-11
B-7	Higher 512KB Flash ROM Image Selection	B-13
C-1	SIO PCI-to-ISA Bridge Operating Register Address Space Map	C-1
C-2	Address Bits and PCI Device idsel Pins	C-5
C-3	SIO PCI-to-ISA Bridge Configuration Address Space Map ...	C-6
C-4	PC87312 Combination Controller Register Address Space Map	C-8
C-5	Integrated Device Electronics (IDE) Register Addresses ...	C-10
C-6	Utility Bus Device Decode	C-11
C-7	Interrupt Control PLD Addresses	C-12
C-8	Keyboard and Mouse Controller Addresses	C-12
C-9	Time-of-Year Clock Device Addresses	C-13
C-10	Flash Memory Segment Select Register	C-14
C-11	Flash Memory Addresses (Within Segment)	C-14
C-12	Flash ROM Configuration Registers	C-15

C-13 Memory Map of Flash Memory C-16

Preface

This guide describes the Alpha PCI 64-275 motherboard based on the Alpha 21064A microprocessor.

Audience

This guide is intended for system designers and others who are intending to embed a compute engine into their system. It is written to assist the designer in familiarization with the predominant features of Digital's real-time motherboards and Digital's Alpha family of microprocessors.

Scope

This guide describes the features, configuration, functional operation, and interfaces of the Alpha PCI 64-275. Appendix D provides a list of related documentation for technical information.

Document Content

This guide contains the following chapters and appendixes:

- Chapter 1, Alpha PCI 64-275 Introduction, introduces the Alpha PCI 64-275, including its components, uses, and features.
- Chapter 2, System Jumpers and Connectors, describes the user environment configuration, board connectors and functions, jumper functions and logic states; and identifies jumper and connector locations.
- Chapter 3, Functional Description, provides a functional description of the board, including the DECchip 21072 chipset, Level 2 (L2) cache and memory subsystems, systems interrupts, clock and power subsystems, and PCI and ISA devices.
- Chapter 4, System Address Mapping, describes the mapping of the 34-bit processor address space into memory and I/O space addresses.

- Chapter 5, Board Requirements and Parameters, describes the board power and environmental requirements, and identifies major board components.
- Appendix A, System Register Descriptions, describes the control and status registers of the DECchip 21071-CA and DECchip 21071-DA.
- Appendix B, SRROM Initialization, describes the general SRROM, Level 2 (L2) cache, and memory initialization steps and associated parameters. It also includes information about the firmware interface, timing considerations, SRROM header, and configuration jumpers.
- Appendix C, PCI Address Maps, provides the Alpha PCI 64-275 operating register address space maps.
- Appendix D, Technical Support and Documentation Ordering Information, describes how to order associated literature.

Document Conventions

This section describes the abbreviation and notation conventions used throughout this guide.

Numbering

All numbers are decimal or hexadecimal unless otherwise specified. In cases of ambiguity, a subscript indicates the radix of nondecimal numbers. For example, 19 is decimal, but 19_{16} and 19A are hexadecimal.

UNPREDICTABLE and UNDEFINED Definitions

Results specified as UNPREDICTABLE may vary from moment to moment, implementation to implementation, and instruction to instruction within implementations. Software can never depend on results specified as UNPREDICTABLE.

Operations specified as UNDEFINED may vary from moment to moment, implementation to implementation, and instruction to instruction within implementations. The operation may vary from nothing to stopping system operation. UNDEFINED operations must not cause the processor to hang, that is, reach a state from which there is no transition to a normal state where the machine can execute instructions.

Note the distinction between results and operations. Nonprivileged software cannot invoke UNDEFINED operations.

Ranges and Extents

Ranges are specified by a pair of numbers separated by two periods (..) and are inclusive. For example, a range of integers 0..4 includes the integers 0, 1, 2, 3, and 4.

Extents are specified by a pair of numbers in angle brackets (< >) separated by a colon (:) and are inclusive. For example, bits <7:3> specifies an extent including bits 7, 6, 5, 4, and 3.

Address Radix

All memory addresses, register addresses, and address offset values are in hexadecimal notation unless specified otherwise.

Memory and Register Contents Radix

All data associated with read and write transactions to and from memory locations and registers are in hexadecimal notation unless specified otherwise.

Must Be Zero

Fields specified as must be zero (MBZ) must never be filled by software with a nonzero value. If the processor encounters a nonzero value in a field specified as MBZ, a reserved operand exception occurs.

Should Be Zero

Fields specified as should be zero (SBZ) should be filled by software with a zero value. These fields may be used at some future time. Nonzero values in SBZ fields produce UNPREDICTABLE results.

Register and Memory Figures

Register figures have bit and field position numbering starting at the right (low-order) and increasing to the left (high-order).

Memory figures have addresses starting at the top and increasing toward the bottom.

Register Field Notation

Register figures and tabulated descriptions have a mnemonic that indicates the bit or field as described in Table 1.

Table 1 Register Field Type Notation

Notation	Description
RW	A read/write bit or field. The value may be read and written by software, microcode, or hardware.
RO	A read-only bit or field. The value may be read by software, microcode, or hardware. It is written by hardware; software or microcode write transactions are ignored.
WO	A write-only bit or field. The value may be written by software and microcode. It is read by hardware. Read transactions by software or microcode return an UNPREDICTABLE result.
WZ	A write-only bit or field. The value may be written by software or microcode. It is read by hardware, and read transactions by software or microcode return a zero.
WC	A write-to-clear bit or field. The value may be read by software or microcode. Software or microcode write transactions of a 1 cause the bit to be cleared by hardware. Software or microcode write transactions of a 0 do not modify the state of the bit.
RC	A read-to-clear bit or field. The value is written by hardware and remains unchanged until read. The value may be read by software or microcode, at which point hardware may write a new value into the field.
RW1C	A read/write one-to-clear bit or field. The value may be read. Software, microcode, or hardware writes a 1 to clear the bit or field.

Other register fields that are unnamed may be labeled as specified in Table 2.

Table 2 Unnamed Register Field Notation

Notation	Description
0	A 0 in a bit position indicates a register bit that is read as a 0 and is ignored on a write transaction.
1	A 1 in a bit position indicates a register bit that is read as a 1 and is ignored on a write transaction.
x	An x in a bit position indicates a register bit that does not exist in hardware. The value is UNPREDICTABLE when read, and is ignored on a write transaction.

Bit Notation

Multiple bit fields are shown as extents (see Ranges and Extents).

Cautions

Cautions indicate potential damage to equipment or data.

Data Units

Table 3 defines the data unit terminology used in this guide.

Table 3 Data Units

Term	Words	Bytes	Bits	Other
Word	1	2	16	—
Longword	2	4	32	—
Quadword	4	8	64	—
Octaword	8	16	128	Single read fill; that is, the cache space that can be filled in a single read access. It takes two read accesses to fill one L2 cache line (see Hexword).
Hexword	16	32	256	Cache block, cache line. The space allocated to a single cache block.

Signal Names

Signal names in text are printed in boldface lowercase type. As Table 4 shows, mixed-case and uppercase signal naming conventions are ignored.

Table 4 Signal References

This Guide	Other Documentation
cwmask7	cWMask7, CWMASK7

In addition, where a group of signals are referenced, the signal names are combined. For example, the following would be combined as **b0_1<2:0>_we_1**:

b0_10_we_1

b0_11_we_1

b0_12_we_1

Alpha PCI 64-275 Introduction

The Alpha PCI 64-275 module is for constructing computing systems based on the Alpha 21064A microprocessor.

The Alpha PCI 64-275 provides a single-board hardware and software development platform for the design, integration, and analysis of supporting logic and subsystems. The board provides a platform for peripheral component interconnect (PCI) I/O device hardware and software development.

Note

If you are not familiar with the 21064A, please read the following system and memory/cache design application notes:

- *Designing a System with the DECchip 21064 Microprocessor: An Application Note*
- *Designing a Memory/Cache Subsystem for the DECchip 21064 Microprocessor: An Application Note*

Appendix D provides ordering information and a list of related documentation.

1.1 System Components and Features

The Alpha PCI 64-275 is implemented in industry-standard parts and uses a 21064A CPU running at 275 MHz. The functional components are shown in Figure 1-1 and are introduced in the following subsections.

1.1.1 Memory Subsystem

The DRAM memory can provide 16MB to 512MB with a 128-bit data bus. The memory is contained in two banks of four commodity single inline memory modules (SIMMs). Each SIMM is 36 bits wide, with 32 data bits, 1 parity bit, and 3 unused bits with 70-ns or less access. The following SIMM sizes are supported:

1M x 36 2M x 36 4M x 36 8M x 36 16M x 36

1.1.2 DECchip 21072 Support Chipset

The 21064A is supported by a DECchip 21072 ASIC chipset (21072), with a 128-bit memory interface. The chipset consists of the following three chips:

- DECchip 21071-CA (21071-CA) provides the interface from the CPU to cache and main memory, and includes the cache and memory controller.
- DECchip 21071-BA (21071-BA) provides a 32-bit data path from the CPU to memory and I/O. Four chips provide the 128-bit interface.
- DECchip 21071-DA (21071-DA) provides an interface from the CPU to the PCI.

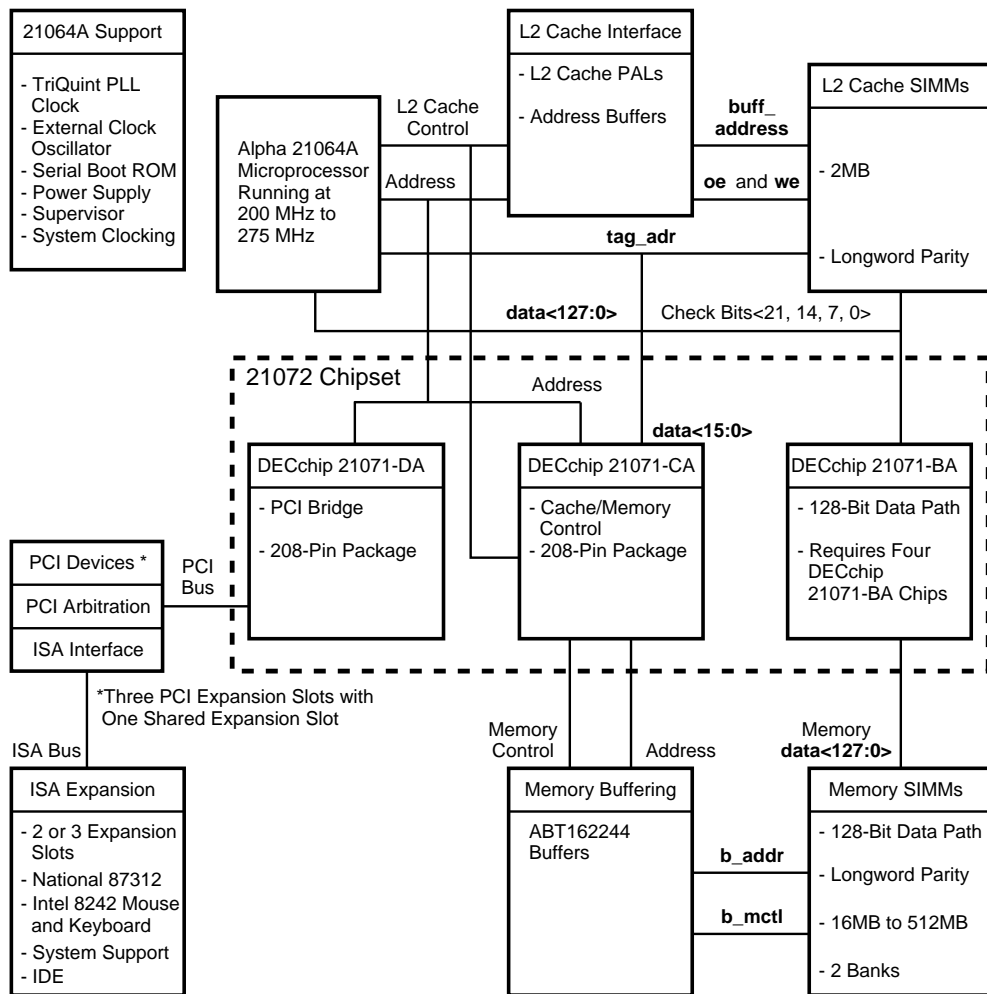
The chipset includes the majority of functions required to develop a high-performance PC or workstation, requiring minimum discrete logic on the module. It provides flexible and generic functions to allow its use in a wide range of systems.

1.1.3 PAL Control Set

The Alpha PCI 64-275 contains a 4-PAL control set and includes the following:

- Two 16V8-5 PALs provide L2 cache output-enable and write-enable functions.
- One 22V10-25 PAL provides interrupt address decode functions and utility bus (Ubus) control.
- One MACH210-20 PAL provides the PCI and ISA interrupts.

Figure 1-1 Alpha PCI 64-275 Functional Block Diagram



LJ04129A.sgw

1.1.4 Level 2 Cache Subsystem Overview

The external Level 2 (L2) cache subsystem supports 512KB, 1MB, 2MB, 4MB, or 8MB cache sizes using a 128-bit data bus. The L2 cache size can be reconfigured through onboard hardware and software jumpers.

The Alpha PCI 64-275 supports the L2 cache SIMM sizes shown in Table 1-1. Two SIMMs are required per system. The Alpha PCI 64-275 comes with a 2MB, 12-ns L2 cache.

Table 1-1 L2 Cache SIMM Sizes

L2 Cache Size	Static RAM (SRAM) Access Times
512KB	6 ns, 8 ns, 10 ns, 12 ns, 15 ns
1MB ¹ , 2MB²	6 ns, 8 ns, 10 ns, 12 ns² , 15 ns
4MB ¹ , 8MB	6 ns, 8 ns, 10 ns, 12 ns, 15 ns

¹Cache size can be reduced with jumpers.

²Default as shipped.

1.1.5 Clock Subsystem Overview

The clock subsystem provides clocks to the 21072 chipset and PCI devices. Two oscillators provide clocks for the ISA and combination chip functions.

1.1.6 PCI Interface Overview

The PCI interface provides a PCI speed of 30.5 MHz (based on 21064A clock divisors). An Intel 82378ZB Saturn IO (SIO) chip provides a PCI-to-ISA bridge.

The PCI has three dedicated slots and one shared slot with the ISA.

1.1.7 ISA Interface Overview

The ISA provides an expansion bus and the following system support functions:

- Mouse and keyboard controller functions provided through an Intel 8242 chip
- National 87312 chip used as the combination chip providing a diskette controller; two universal, asynchronous receiver/transmitters (UARTs); an integrated device electronics (IDE) controller; a bidirectional parallel port; and an interface to the utility bus (Ubus) for ISA interrupts and jumper status

- Time-of-year (TOY) function provided by a Dallas DS1287 chip
- 1MB flash ROM memory using the Intel 28F008SA chip

The ISA has two dedicated expansion slots and one shared expansion slot with the PCI.

1.1.8 Software Support

Software support includes an industry-standard, 1MB flash ROM containing debug monitor code and a console interface. The debug monitor provides the ability to do the following:

- Download files through serial port, I/O diskette, and optional Ethernet port.
- Load data from the flash ROM through the debug monitor.
- Examine and deposit the Alpha PCI 64-275 system registers, 21064A internal processor registers (IPRs), and I/O mapped registers.
- Examine and modify DRAM and I/O mapped memory.
- Disassemble CPU instructions in memory.
- Transfer control to programs in memory.
- Perform native debugging, including breakpoints and single stepping.
- Perform full source-level debugging by using DECladdebug software running on a host communicating through an Ethernet connection.

Development code can be generated on a host system and loaded into the Alpha PCI 64-275 through the serial line, optional Ethernet port, diskette, or flash ROM. Full design database and user documentation are provided.

A serial ROM (SROM) contains the 21064A initialization code. When **reset** is deasserted, the contents of the SROM are read into the instruction cache (Icache) and are executed to perform initialization. During initialization, code is loaded from the flash ROM. Following initialization, control is transferred to the code in the flash ROM, based on the jumper at Sp_bit7 and the `bootopt` setting described in Chapter 2.

1.2 Board Uses

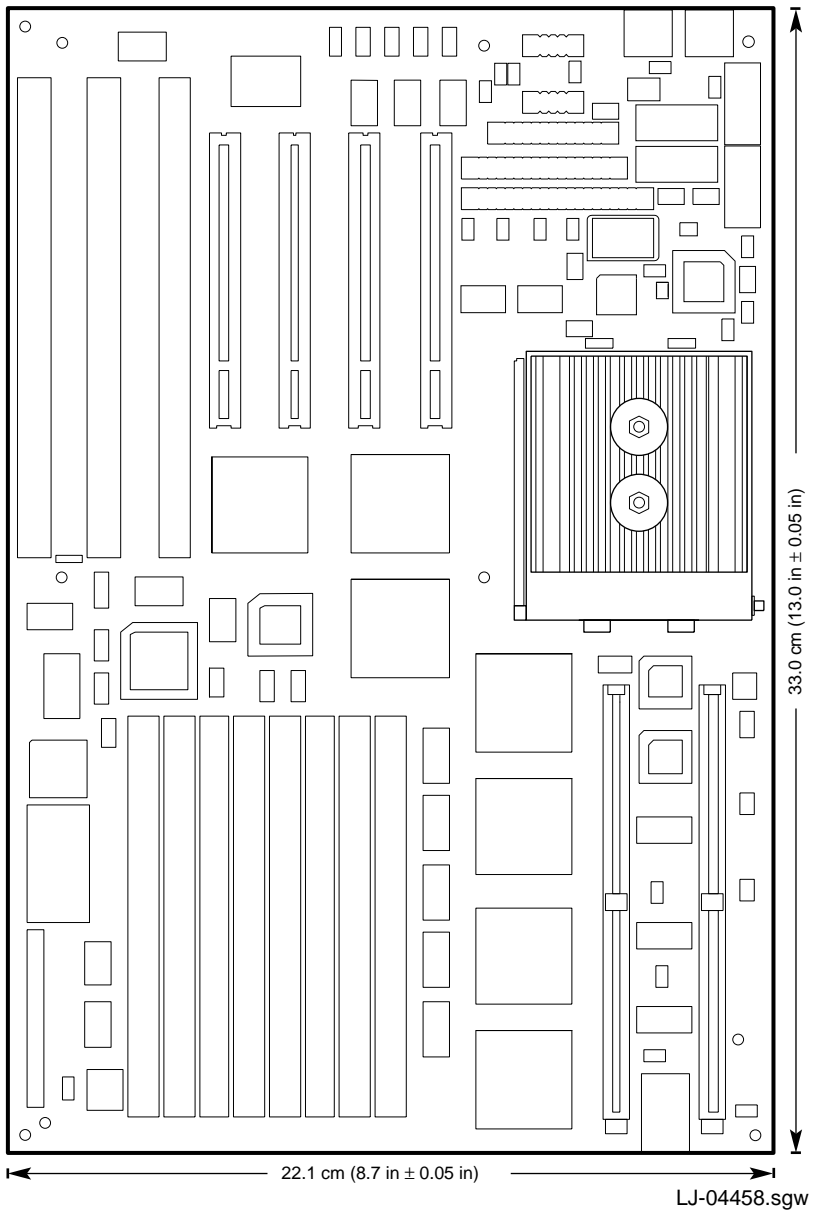
The Alpha PCI 64-275 has a remote debug capability and a software debug monitor for loading code into the system and for performing other software debug functions such as memory read, memory write, and instruction breakpoint.

When combined with a hardware interface, the debug monitor can be used to write and debug software (for example, device drivers) for workstation and PC products. The monitor can also be used for embedded control products such as laser printers, communications engines (such as bridges and routers), and video products.

The Alpha PCI 64-275 provides a basis for a high-performance, low-cost PC or workstation.

Figure 1-2 shows the Alpha PCI 64-275 board component layout and dimensions.

Figure 1-2 Alpha PCI 64-275 Component Layout and Board Dimensions



System Jumpers and Connectors

The Alpha PCI 64-275 module contains several jumpers to set the configuration and conditional characteristics of the flash ROM enable, Level 2 Bcache speed, and sizes and boot options. The Alpha PCI 64-275 is shipped with 2Mb of L2 cache, but the system designer can reconfigure the module to support a variety of cache sizes and speeds to assist in the debugging of new option designs. The board provides onboard connectors for serial and parallel peripherals, integrated device electronics (IDE) devices, and L2 cache SIMMs.

After the module is configured, you can apply power and run the debug monitor. The debug monitor and its commands are described in the *Alpha PCI 64-275 Motherboard Debug Monitor User's Guide*.

Appendix D provides information about other software design tools.

2.1 Configuration Jumpers

The software and hardware configuration jumpers are identified in Figures 2-1 and 2-2, and are described in Tables 2-1 and 2-2.

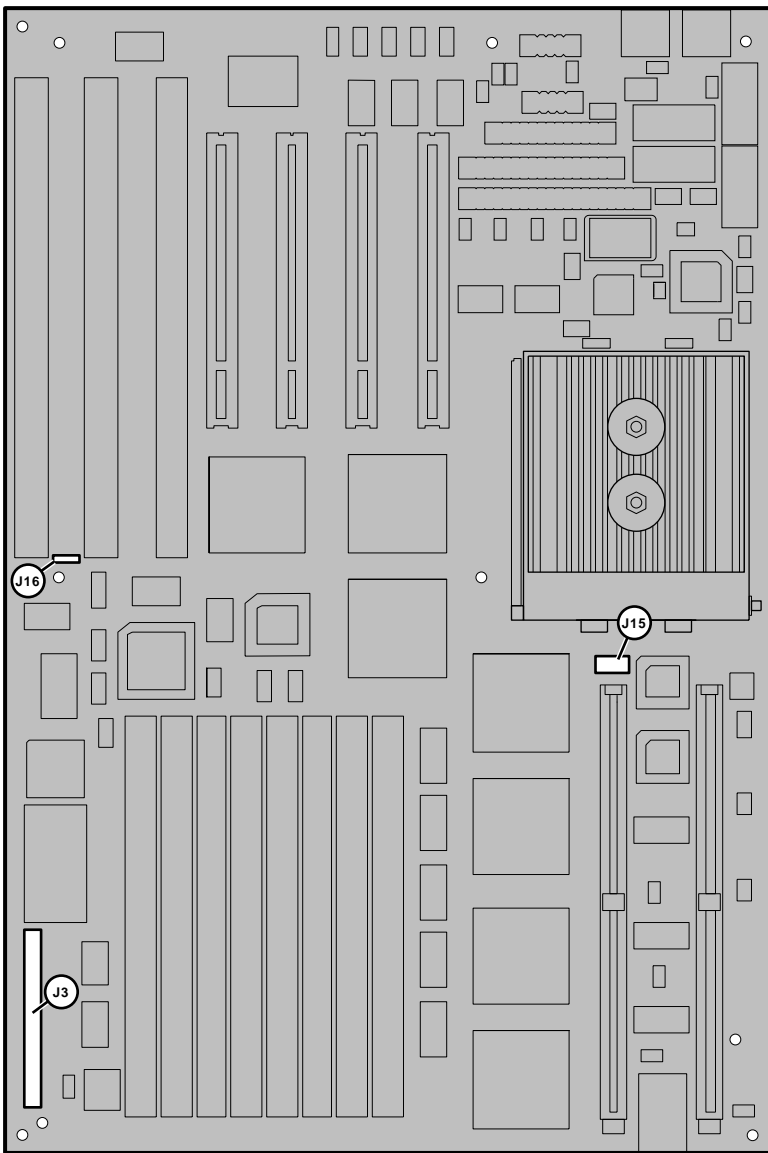
2.1.1 Software Configuration Jumpers

The software configuration jumpers are completely programmable. Table 2-1 describes each jumper position.

The SROM code defines the software configuration jumpers **sp_bit<7:0>**, as shown in Figure 2-2 (see Appendix B).

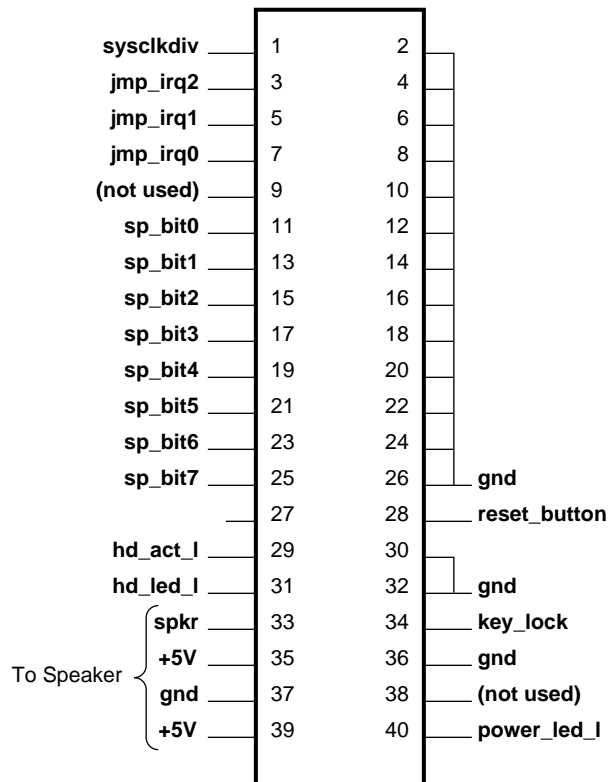
The board is shipped with the jumpers described in Tables 2-1 and 2-2 in the default position.

Figure 2-1 Alpha PCI 64-275 Board Jumpers



LJ-04459.AI5

Figure 2–2 J3 Connector



LJ-04132.SW

Table 2–1 Jumper Position Descriptions

Select Bit	Register Bit Name	Function
sp_bit7	BOOT_OPTION	Jumper out—Boot first image in flash ROM. Jumper in (default)—Boot one of several alternate images in flash ROM as specified by NVRAM location 3F in TOY RAM.

(continued on next page)

Table 2–1 (Cont.) Jumper Position Descriptions

Select Bit	Register Bit Name	Function		
sp_bit6	MINI_DEBUG	Jumper out (default)—Boot selected image in flash ROM. Jumper in—Trap to SROM debug port (J2).		
sp_bit<5:3>	BC_SPEED<2:0>	L2 cache speed selection is shown here.		
BC_SPEED				
	<2>	<1>	<0>	L2 Cache Access Time
	J3-21	J3-19	J3-17	
	In	In	In	Reserved
	In	In	Out	6 ns
	In	Out	In	8 ns
	In	Out	Out	10 ns
	Out	In	In	12 ns (default)
	Out	In	Out	15 ns
	Out	Out	In	Reserved
	Out	Out	Out	Reserved
sp_bit<2:0>	BC_SIZE<2:0>	L2 cache size selection is shown here.		
BC_SIZE				
	<2>	<1>	<0>	L2 Cache Size
	J3-15	J3-13	J3-11	
	In	In	In	Disables L2 cache
	In	In	Out	512KB
	In	Out	In	1MB
	In	Out	Out	2MB (default)
	Out	In	In	4MB
	Out	In	Out	8MB
	Out	Out	In	Reserved
	Out	Out	Out	Reserved

2.1.2 Hardware Configuration Jumpers

Hardware configuration jumpers are shown in Figure 2–1 and are described in Table 2–2.

Table 2–2 Alpha PCI 64-275 Board Jumpers

Connector	Pins	Description																														
L2 Cache Address Lines																																
J15	4	Adr<22:19> L2 cache; pins 22:19 are identified on the board. Pin 19 corresponds to J15-1, and so forth.																														
		<table border="1"> <thead> <tr> <th>J15-1 Adr19</th> <th>J15-2 Adr20</th> <th>J15-3 Adr21</th> <th>J15-4 Adr22</th> <th>Size</th> </tr> </thead> <tbody> <tr> <td>Out</td> <td>Out</td> <td>Out</td> <td>Out</td> <td>512KB</td> </tr> <tr> <td>In</td> <td>Out</td> <td>Out</td> <td>Out</td> <td>1MB</td> </tr> <tr> <td>In</td> <td>In</td> <td>Out</td> <td>Out</td> <td>2MB (default)</td> </tr> <tr> <td>In</td> <td>In</td> <td>In</td> <td>Out</td> <td>4MB</td> </tr> <tr> <td>In</td> <td>In</td> <td>In</td> <td>In</td> <td>8MB</td> </tr> </tbody> </table>	J15-1 Adr19	J15-2 Adr20	J15-3 Adr21	J15-4 Adr22	Size	Out	Out	Out	Out	512KB	In	Out	Out	Out	1MB	In	In	Out	Out	2MB (default)	In	In	In	Out	4MB	In	In	In	In	8MB
J15-1 Adr19	J15-2 Adr20	J15-3 Adr21	J15-4 Adr22	Size																												
Out	Out	Out	Out	512KB																												
In	Out	Out	Out	1MB																												
In	In	Out	Out	2MB (default)																												
In	In	In	Out	4MB																												
In	In	In	In	8MB																												
Flash ROM																																
J16	3	Flash ROM update enable/disable connector. Pin 1 of J16 is identified on the board as pin 7; pin 3 is identified as pin 9. Pin 2 is center. Jumper from pin 1 to pin 2 disables flash ROM update. Jumper from pin 2 to pin 3 enables flash ROM update (default).																														

(continued on next page)

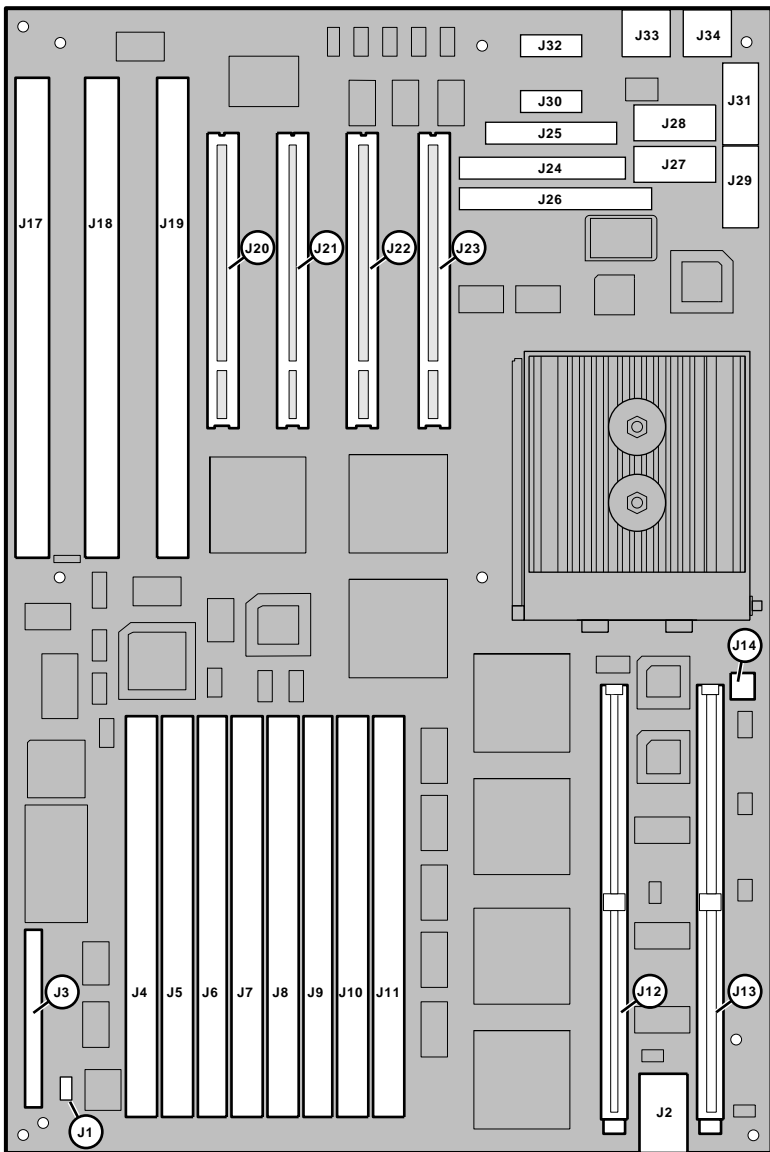
Table 2–2 (Cont.) Alpha PCI 64-275 Board Jumpers

Connector	Pins	Description																																																																																										
Board Clock Functions																																																																																												
J3	4	21064A CPU clock divisor selection.																																																																																										
		<table border="1"> <thead> <tr> <th>J3-1 sysclkdiv</th> <th>J3-3 jmp_irq2</th> <th>J3-5 jmp_irq1</th> <th>J3-7 jmp_irq0</th> <th>Divisor</th> </tr> </thead> <tbody> <tr><td>In</td><td>In</td><td>In</td><td>In</td><td>2</td></tr> <tr><td>In</td><td>In</td><td>In</td><td>Out</td><td>3</td></tr> <tr><td>In</td><td>In</td><td>Out</td><td>In</td><td>4</td></tr> <tr><td>In</td><td>In</td><td>Out</td><td>Out</td><td>5</td></tr> <tr><td>In</td><td>Out</td><td>In</td><td>In</td><td>6</td></tr> <tr><td>In</td><td>Out</td><td>In</td><td>Out</td><td>7</td></tr> <tr><td>In</td><td>Out</td><td>Out</td><td>In</td><td>8</td></tr> <tr><td>In</td><td>Out</td><td>Out</td><td>Out</td><td>9</td></tr> <tr> <td colspan="5" style="text-align: center;">Divisor 9 is used for 275 MHz (default).</td> </tr> <tr><td>Out</td><td>In</td><td>In</td><td>In</td><td>10</td></tr> <tr><td>Out</td><td>In</td><td>In</td><td>Out</td><td>11</td></tr> <tr><td>Out</td><td>In</td><td>Out</td><td>In</td><td>12</td></tr> <tr><td>Out</td><td>In</td><td>Out</td><td>Out</td><td>13</td></tr> <tr><td>Out</td><td>Out</td><td>In</td><td>In</td><td>14</td></tr> <tr><td>Out</td><td>Out</td><td>In</td><td>Out</td><td>15</td></tr> <tr><td>Out</td><td>Out</td><td>Out</td><td>In</td><td>16</td></tr> <tr><td>Out</td><td>Out</td><td>Out</td><td>Out</td><td>17</td></tr> </tbody> </table>	J3-1 sysclkdiv	J3-3 jmp_irq2	J3-5 jmp_irq1	J3-7 jmp_irq0	Divisor	In	In	In	In	2	In	In	In	Out	3	In	In	Out	In	4	In	In	Out	Out	5	In	Out	In	In	6	In	Out	In	Out	7	In	Out	Out	In	8	In	Out	Out	Out	9	Divisor 9 is used for 275 MHz (default).					Out	In	In	In	10	Out	In	In	Out	11	Out	In	Out	In	12	Out	In	Out	Out	13	Out	Out	In	In	14	Out	Out	In	Out	15	Out	Out	Out	In	16	Out	Out	Out	Out	17
J3-1 sysclkdiv	J3-3 jmp_irq2	J3-5 jmp_irq1	J3-7 jmp_irq0	Divisor																																																																																								
In	In	In	In	2																																																																																								
In	In	In	Out	3																																																																																								
In	In	Out	In	4																																																																																								
In	In	Out	Out	5																																																																																								
In	Out	In	In	6																																																																																								
In	Out	In	Out	7																																																																																								
In	Out	Out	In	8																																																																																								
In	Out	Out	Out	9																																																																																								
Divisor 9 is used for 275 MHz (default).																																																																																												
Out	In	In	In	10																																																																																								
Out	In	In	Out	11																																																																																								
Out	In	Out	In	12																																																																																								
Out	In	Out	Out	13																																																																																								
Out	Out	In	In	14																																																																																								
Out	Out	In	Out	15																																																																																								
Out	Out	Out	In	16																																																																																								
Out	Out	Out	Out	17																																																																																								

2.2 Alpha PCI 64-275 Board Connectors

The module connectors are shown in Figure 2–3 and are described in Table 2–3.

Figure 2-3 Alpha PCI 64-275 Board Connectors



LJ-04457.AI5

Table 2–3 Module Connector Descriptions (See Figure 2–3)

Connector	Pins	Description
PCI Slots		
J23	124	PCI expansion slot 3
J22	124	PCI expansion slot 2
J21	124	PCI expansion slot 1
J20	124	PCI expansion slot 0 (shared slot)
ISA Slots		
J19	98	ISA expansion slot 2 (shared slot)
J18	98	ISA expansion slot 1
J17	98	ISA expansion slot 0
L2 Cache SIMM Slots		
J13	160	L2 cache SIMM slot 1, data<127:64>
J12	160	L2 cache SIMM slot 0, data<63:00>
Keyboard Connector		
J33	6	Keyboard connector
Mouse Connector		
J34	6	Mouse connector

(continued on next page)

Table 2–3 (Cont.) Module Connector Descriptions (See Figure 2–3)

Connector	Pins	Description
Memory SIMMs		
J11	72	Bank 0, DRAM 0 SIMM
J10	72	Bank 0, DRAM 1 SIMM
J9	72	Bank 0, DRAM 2 SIMM
J8	72	Bank 0, DRAM 3 SIMM
J7	72	Bank 1, DRAM 0 SIMM
J6	72	Bank 1, DRAM 1 SIMM
J5	72	Bank 1, DRAM 2 SIMM
J4	72	Bank 1, DRAM 3 SIMM
SROM Test		
J2	6	SROM test data serial port input/output connector Note: This connector can be used as a terminal port for the Mini-Debugger.
National 87312 Connectors		
J25	26	Combination chip parallel port connector. Pin 1 is identified on the board with a v symbol.
J26	40	IDE supports two devices. Pin 1 is identified on the board with a v symbol.
J32	10	Combination chip serial communication port 1 (COM1) connector. Pin 1 is identified on the board with a v symbol. Note: This connector can be used as a terminal port for the Debug Monitor.
J30	10	Combination chip serial communication port 2 (COM2) connector. Pin 1 is identified on the board with a v symbol.
J24	34	Combination chip diskette drive connector. Pin 1 is identified on the board with a v symbol.

(continued on next page)

Table 2–3 (Cont.) Module Connector Descriptions (See Figure 2–3)

Connector	Pins	Description														
Power Connectors																
J27	6	Module power connector (GND, +3.3 V)														
		<table border="1"> <thead> <tr> <th>Pin</th> <th>Voltage/Signal</th> </tr> </thead> <tbody> <tr> <td>1</td> <td>Ground</td> </tr> <tr> <td>2</td> <td>Ground</td> </tr> <tr> <td>3</td> <td>Ground</td> </tr> <tr> <td>4</td> <td>+3.3 V</td> </tr> <tr> <td>5</td> <td>+3.3 V</td> </tr> <tr> <td>6</td> <td>+3.3 V</td> </tr> </tbody> </table>	Pin	Voltage/Signal	1	Ground	2	Ground	3	Ground	4	+3.3 V	5	+3.3 V	6	+3.3 V
Pin	Voltage/Signal															
1	Ground															
2	Ground															
3	Ground															
4	+3.3 V															
5	+3.3 V															
6	+3.3 V															
J28	6	Module power connector (+3.3 V, GND)														
		<table border="1"> <thead> <tr> <th>Pin</th> <th>Voltage/Signal</th> </tr> </thead> <tbody> <tr> <td>1</td> <td>+3.3 V</td> </tr> <tr> <td>2</td> <td>+3.3 V</td> </tr> <tr> <td>3</td> <td>+3.3 V</td> </tr> <tr> <td>4</td> <td>Ground</td> </tr> <tr> <td>5</td> <td>Ground</td> </tr> <tr> <td>6</td> <td>Ground</td> </tr> </tbody> </table>	Pin	Voltage/Signal	1	+3.3 V	2	+3.3 V	3	+3.3 V	4	Ground	5	Ground	6	Ground
Pin	Voltage/Signal															
1	+3.3 V															
2	+3.3 V															
3	+3.3 V															
4	Ground															
5	Ground															
6	Ground															

(continued on next page)

Table 2–3 (Cont.) Module Connector Descriptions (See Figure 2–3)

Connector	Pins	Description														
J29	6	Module power connector (GND, –5 V, +5 V)														
		<table border="1"> <thead> <tr> <th>Pin</th> <th>Voltage/Signal</th> </tr> </thead> <tbody> <tr> <td>1</td> <td>Ground</td> </tr> <tr> <td>2</td> <td>Ground</td> </tr> <tr> <td>3</td> <td>–5 V</td> </tr> <tr> <td>4</td> <td>+5 V</td> </tr> <tr> <td>5</td> <td>+5 V</td> </tr> <tr> <td>6</td> <td>+5 V</td> </tr> </tbody> </table>	Pin	Voltage/Signal	1	Ground	2	Ground	3	–5 V	4	+5 V	5	+5 V	6	+5 V
Pin	Voltage/Signal															
1	Ground															
2	Ground															
3	–5 V															
4	+5 V															
5	+5 V															
6	+5 V															
J31	6	Module power connector (GND, +12 V, –12 V, +5 V, p_dcok)														
		<table border="1"> <thead> <tr> <th>Pin</th> <th>Voltage/Signal</th> </tr> </thead> <tbody> <tr> <td>1</td> <td>p_dcok</td> </tr> <tr> <td>2</td> <td>+5 V</td> </tr> <tr> <td>3</td> <td>+12 V</td> </tr> <tr> <td>4</td> <td>–12 V</td> </tr> <tr> <td>5</td> <td>Ground</td> </tr> <tr> <td>6</td> <td>Ground</td> </tr> </tbody> </table>	Pin	Voltage/Signal	1	p_dcok	2	+5 V	3	+12 V	4	–12 V	5	Ground	6	Ground
Pin	Voltage/Signal															
1	p_dcok															
2	+5 V															
3	+12 V															
4	–12 V															
5	Ground															
6	Ground															
J14	3	<p>CPU fan power and sensor. Pin 1 is +12 V. Pin 2 is sensor; low = fan on. Pine 3 is ground.</p> <p>Caution: Fan sensor required</p> <p>The fan <i>must</i> have a built-in sensor that drives a signal if the airflow stops. The sensor is connected to J14. The fan supplied with the Alpha PCI 64-275 includes an airflow sensor.</p>														

(continued on next page)

Table 2–3 (Cont.) Module Connector Descriptions (See Figure 2–3)

Connector	Pins	Description
Enclosure Fan		
J1	3	Enclosure fan connector. Pins 1 and 3 are ground. Pin 2 is +12 V.
Power LED		
J3 Pins 38, 40	2	Power LED connector. Pin 38 is +5 V with a built-in 150-ohm resistor. Pin 40 is ground.
Disk Access LED		
J3 Pins 29, 31	2	IDE disk access LED connector. Pin 29 is grounded on access. Pin 31 is +5 V with a built-in 150-ohm resistor.
Key Lock		
J3 Pins 32, 34	2	Key lock connector. Pin 32 is ground. Pin 34 is open (high) when unlocked.
Board Reset		
J3 (Pins 28, 30)	2	Board reset switch connector. 28 open or high to run, ground to 30 to reset.
Speaker Connector		
J3 (Pins 33, 35, 37, 39)	4	Connect speaker to 33 (signal) and 37 (ground).

Table 2-4 List of Connector and Jumper Part Numbers

Designation	Description	Vendor Part Number or Equivalent
Note: Specific vendor part numbers are for reference only and should not be construed as a recommendation by Digital.		
J1	Fan power (connector)	Molex 22-27-2031
J2	Serial port (connector)	DUPONT 65611-110
J3	(Jumpers)	AMP 531220-3
J24	Diskette drive (connector)	DUPONT 66506-353
J25	Parallel port (connector)	AMP 1-103186-3
J26	IDE interface (connector)	DUPONT 66506-354
J27-J28	+3.3V power (connector)	Molex 87218-1205
J29, J31	±5V, ±12V power (connector)	Molex 87218-1202
J30	COM2 serial port (connector)	DUPONT 65611-110
J32	COM1 serial port (connector)	DUPONT 65611-110
J33	Keyboard (connector)	HON HAI PRECS MH11067-H1
J34	Mouse (connector)	HON HAI PRECS MH11067-H1

Functional Description

This chapter describes the functional operation of the Alpha PCI 64-275. The description introduces the ASIC support chipset and describes its implementation with the 21064A microprocessor and its supporting memory and I/O devices.

Information, such as bus timing and protocol, found in other specifications, data sheets, and reference documentation is not duplicated. Appendix D provides a list of supporting documents and order numbers.

Note

For detailed descriptions of chipset logic, operations, and transactions, refer to the *DECchip 21071 and DECchip 21072 Core Logic Chipsets Data Sheet*.

For details of the PCI interface, refer to the *PCI System Design Guide* and the *PCI Local Bus Specification*.

3.1 Chipset Introduction

The DECchip 21072 chipset provides a cost-competitive solution for designers developing systems using the 21064A microprocessor. The chipset provides a 128-bit memory interface and includes the following three gate arrays:

- DECchip 21071-CA (21071-CA): cache and memory controller—208-pin plastic quad flat pack (PQFP)
- DECchip 21071-DA (21071-DA): PCI interface—208-pin PQFP
- DECchip 21071-BA (21071-BA): data path—208-pin PQFP

3.1.1 21071-CA Introduction

The 21071-CA chip provides the interface between the 21064A and main memory. It provides the system interface to the cache. The chip controls and moves data to and from banks of main memory. It responds to commands from the CPU and 21071-DA and arbitrates between them. It also supports control of the L2 cache RAMs during a CPU cache miss and direct memory access (DMA) transactions.

On the Alpha PCI 64-275, the 21071-CA controls two banks of DRAM SIMMs. The SIMMs can range in size from 1M x 36 to 16M x 36. Each bank can accommodate four 36-bit SIMMs to support a 128-bit data path with longword parity. Figure 3-1 shows the maximum and minimum SIMM bank layouts.

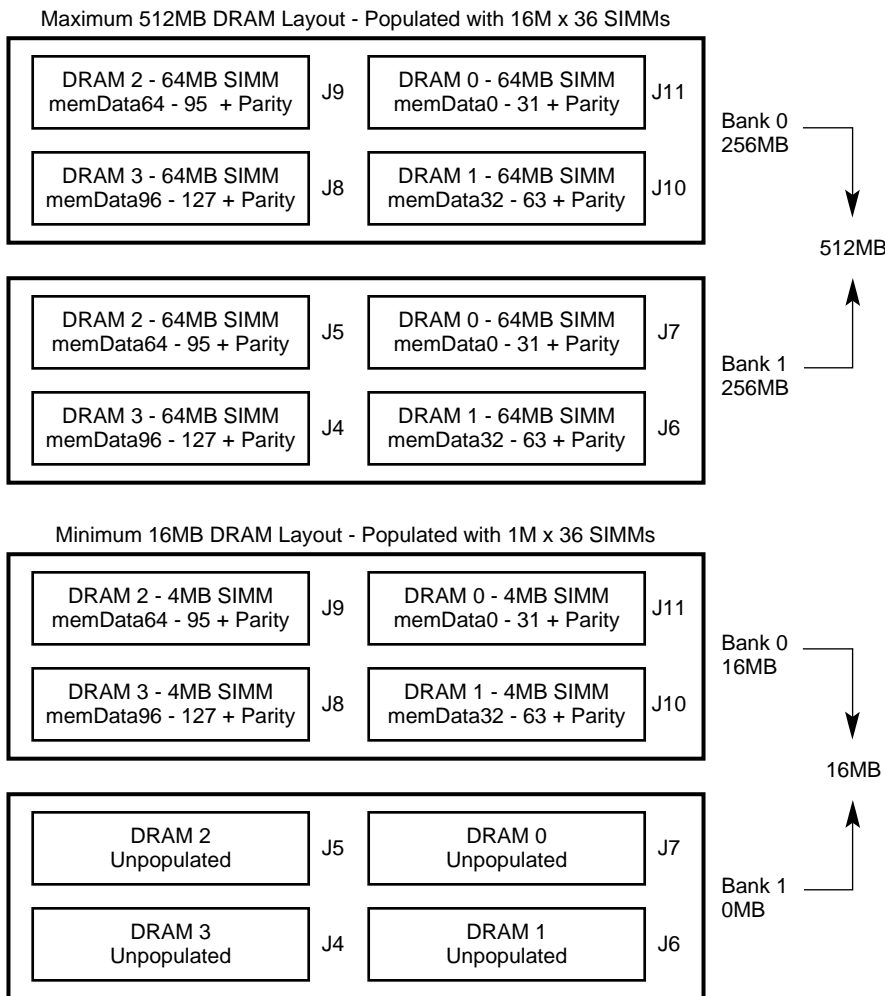
The chip provides support for a single video bank of dual-port RAM (VRAM). This bank may have 128K, 256K, 512K, or 1M locations. Each location consists of octaword data for the 128-bit interface. VRAM capacity can vary from 1MB to 16MB.

The components of the cache and memory subsystem are distributed between the 21071-CA and the 21071-BA. Together, the chips serve as an interface between the sysBus and memory subsystem (see Figure 3-2).

The CPU, 21071-DA, cache, and memory communicate with each other through the sysBus. The sysBus is essentially the processor pin bus with additional signals for DMA transaction control, arbitration, and cache control. The 21071-CA chip controls the L2 cache and memory. The following list summarizes the major features of the 21071-CA:

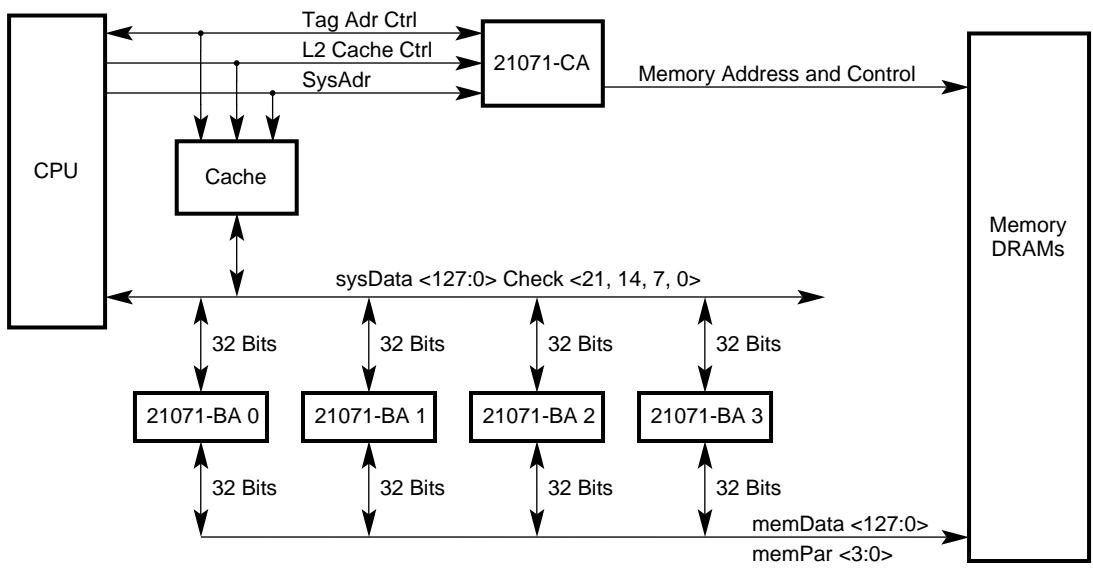
- Provides control for filling the L2 cache and extracting victims on CPU-initiated transactions.
- Provides control for probing the L2 cache on DMA transactions and invalidating the L2 cache on DMA write hits.
- Arbitrates between the CPU and the 21071-DA for control of the sysBus.
- Stores addresses for the four-cache-line memory write buffer.
- Controls the loading of the I/O write buffer and the DMA read buffer.
- Uses fast-page mode on the DRAMs to improve performance on DMA burst reads and memory write transactions.

Figure 3–1 Maximum and Minimum SIMM Bank Layouts



LJ04134A.AI

Figure 3–2 Basic Cache and Memory Subsystem Address and Data Paths



21071-DA Data Path Bit Assignments

sysData Lines	memData Lines
21071-BA 0 <31:0>	memData <31:0>
21071-BA 1 <63:32>	memData <63:32>
21071-BA 2 <95:64>	memData <95:64>
21071-BA 3 <127:96>	memData <127:96>

LJ03944A.AI

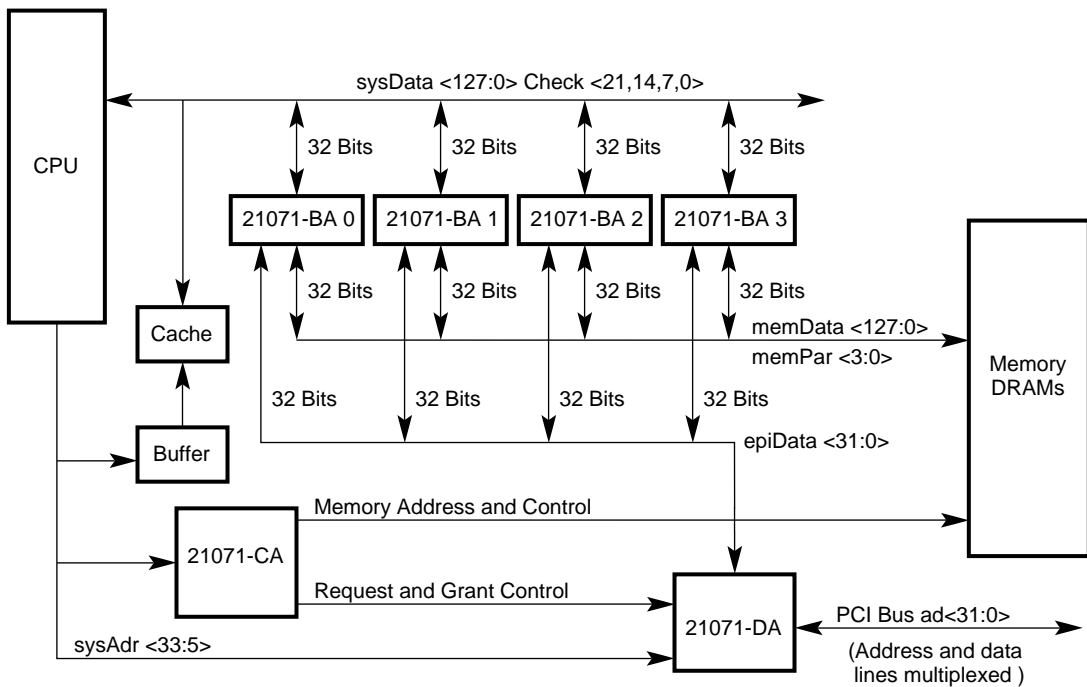
3.1.2 21071-DA Introduction

The 21071-DA chip functions as the bridge between the PCI and the CPU and its L2 cache and memory (see Figure 3–3). The chip interface protocol is compliant with the PCI local bus. With the exception of a few pipeline registers and the parity tree, all the data path functions required to support the PCI reside in the chip.

The 21071-DA provides all controls and interfaces to the PCI and sysBus and contains the following components and functions:

- sysBus interface state machine
- sysBus address decoder and translator
- epiBus arbitration and control
- PCI interface, state machines, and parity generation
- PCI address decoder and translator

Figure 3–3 Basic I/O Subsystem Address and Data Paths



LJ03945A.AI

The following list summarizes the major features of the 21071-DA:

- Scatter-gather mapping from the 32-bit PCI address to the 34-bit physical address, with an onchip, 8-entry translation lookaside buffer (TLB) for fast address translations. To reduce cost, the scatter-gather tables are stored in memory and are automatically read by the 21071-DA when a translation misses in the TLB.
- Supports a maximum PCI burst length of 16 longwords on PCI memory read and write transactions.
- Supports two types of addressing regions on CPU-initiated transactions to PCI space.
 - Sparse space for accesses with byte and word granularities, and a maximum burst length of two.
 - Dense space for burst lengths from one to eight write transactions and a burst length of two on read transactions. This region can be used for memory-like structures, such as frame buffers, which require high bandwidth accesses.
- Stores address information for the DMA write buffer and controls the loading of the DMA write buffer and I/O read buffer.
- Stores address information for the I/O write buffer and controls the unloading of the I/O write buffer and DMA read buffer.

Note

The 21071-DA is not a PCI peripheral; it is a bridge between the PCI peripherals and the CPU/system memory. The chip implements functions of a host bridge that are not sufficient to interface the chip as a PCI peripheral component.

3.1.3 21071-BA Introduction

The 21071-BA chip provides a 32-bit data path from the 21064A to main memory and I/O. Four chips are required for the 128-bit interface.

The chip contains the cache and memory interface data path, which includes buffers for victim, noncacheable write, and DMA write operations. It also contains the I/O subsystem data path, which provides buffering for DMA read and write data, and I/O read and write data.

The chip interfaces to the cache and CPU by using the CPU sysBus (pin bus). It interfaces with the 21071-DA through the 32-bit epiBus (communications path between the 21071-DA and 21071-BA). The 21071-BA functions as the data path for the cache, memory, and I/O subsystem, and contains the following data path functions:

Error Detection Logic—The 21071-BA supports longword parity on the 128-bit memory interface. Error checking and generation is performed only on DMA-initiated transactions; error checking and generation on CPU-initiated transactions is performed by the CPU.

Memory Write Buffer—The memory write buffer has four entries; each entry is a cache line (32B). The buffer is distributed across the four 21071-BA chips in the system. Data stored in this buffer has passed all cache coherency checks and is written to memory in the order it was received on the sysBus.

Memory Read Buffer—The memory read buffer is a one-cache-line temporary holding buffer used to store data written by the CPU on memory write transactions, or to store data read from the PCI bus on CPU read transactions.

I/O Write Buffer—The I/O write buffer has two entries. One entry acts as a write buffer for CPU I/O write transactions to the 21071-BA or PCI bus; the other acts as a holding buffer.

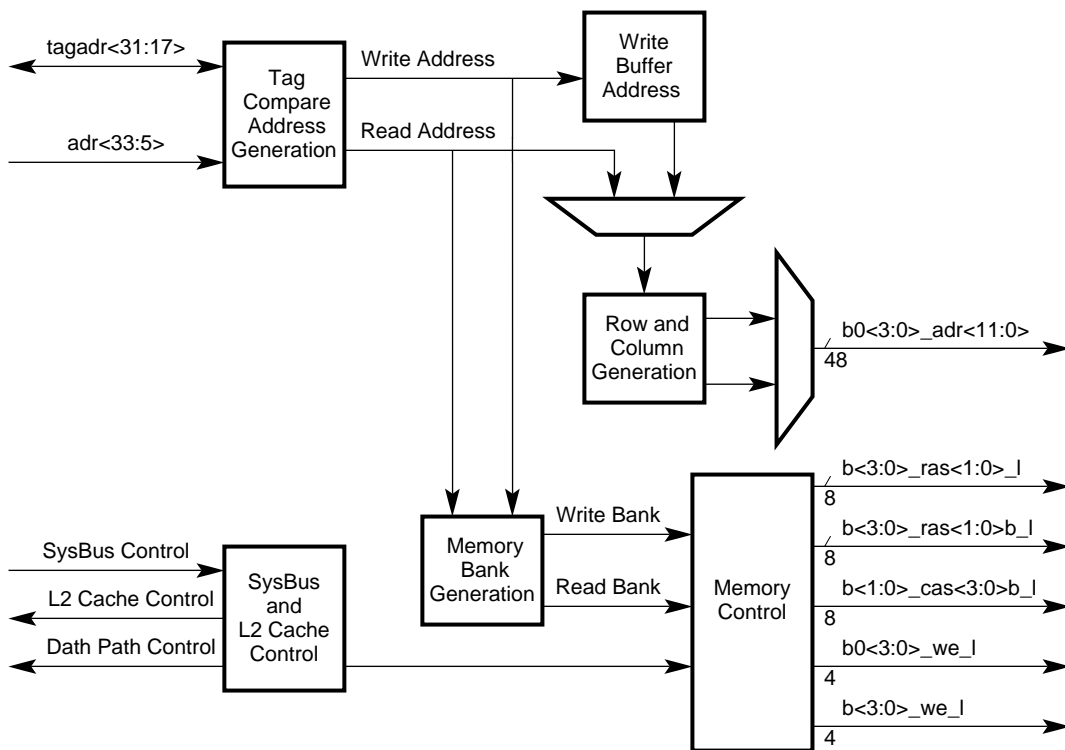
DMA Read Buffer—The DMA read buffer stores data that is being read from the memory by a device on the PCI bus. This buffer consists of two cache lines and is distributed across the 21071-BA chips.

DMA Write Buffer—The DMA write buffer stores four cache lines of PCI memory write data. Each entry is unloaded after the necessary cache coherency checks have been performed.

3.2 21071-CA Functional Overview

The 21071-CA provides second-level cache and memory control functions. It also controls the cache and memory data path located on the 21071-BA. Figure 3–4 shows a block diagram of the 21071-CA.

Figure 3–4 21071-CA Block Diagram



LJ-04135.SW

3.2.1 sysBus Interface

The CPU, 21071-DA, cache, and 21071-CA communicate with each other through the sysBus. The sysBus is essentially the processor pin bus with additional signals for DMA transaction control, arbitration, and cache control.

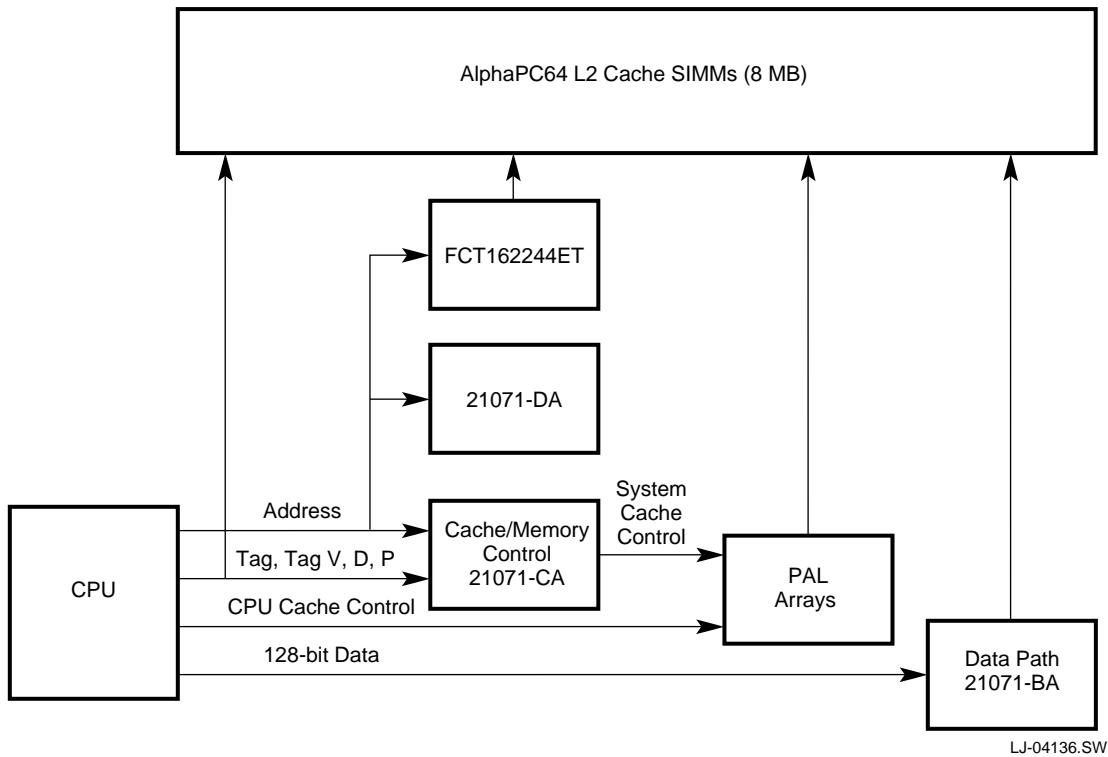
3.2.1.1 sysBus Arbitration

The 21071-CA arbitrates between the CPU and 21071-DA, which requests use of the sysBus and the L2 cache when they have a transaction to perform. The CPU has default ownership of the sysBus so that it can access the L2 cache whenever the 21071-DA is not requesting the bus.

3.2.1.2 L2 Cache Control

Figure 3-5 shows the implementation of a cache subsystem with an 8MB cache. Note that the 21071-CA supports a 128-bit secondary cache interface.

Figure 3-5 Cache Subsystem for an 8MB Cache



The L2 cache controller provides control for the secondary cache on CPU-initiated memory read and write transactions that miss, and on all CPU-initiated memory LD_xL and ST_xC transactions (hits and misses).

On DMA-initiated transactions, the L2 cache controller provides control for probing the cache and extracting or invalidating the cache line when required. The 21071-CA supports a write-back cache.

3.2.1.3 sysBus Control

The sysBus controller consists of a sequencer that receives CPU and DMA command fields for decode, results from the sysBus arbiter logic, and status from the memory controller logic. The sequencer supplies machine state signals that are used to generate L2 cache control and read requests to the memory controller; to load data from the sysBus into the read, merge, and write buffers; and to acknowledge cycles to the CPU and 21071-DA. The sysBus controller supports wrapping on the sysBus.

3.2.1.4 Address Decoding

The 21071-CA sysBus interface logic decodes the sysBus address for both CPU and DMA requests to determine the action to take. It supports cacheable and noncacheable memory accesses, as well as accesses to its CSR space. (See Chapter 4 for information about address space mapping.)

3.2.1.5 Error Handling

During CPU and DMA transactions, the 21071-CA detects the following errors:

- L2 cache tag address parity error
- L2 cache tag control parity error
- Nonexistent memory error

When one or more errors are detected on a transaction, the 21071-CA signals the errors to the CPU or the 21071-DA at the end of the transaction by acknowledging a hard error condition on the **cack<2:0>** or **iocack<1:0>** signal lines. The current **sysadr<33:5>** is logged in the error address register, and error status logged in the CPU clears all the error status bits by writing the control and status register (CSR).

If errors occur on a transaction while the error address and status are locked, the transaction is acknowledged with a hard error condition on the **cack<2:0>** or **iocack<1:0>** fields. The **LOSTERR** bit in the error and diagnostics status register is set, and the lost error address and status are not recorded.

The hard error condition overrides ST_XC transaction fail. The lock bit is UNPREDICTABLE after LD_XL transactions with errors.

3.2.2 Memory Controller

This section summarizes memory organization and memory controller features.

3.2.2.1 Memory Organization

The 21071-CA supports up to:

- Eight bank sets of DRAM (bank sets 0..7), where one bank set equals four SIMMs
- One bank set (bank set 8) of VRAM

Each bank set can be made up of one or two banks. A bank of memory refers to one width of DRAMs, implemented with SIMMs. The SIMM implementation requires more than one SIMM to form one memory bank. For example, four 33-bit SIMMs are required to form the 128-bit bank width. On the Alpha PCI 64-275, the 21071-CA supports 16MB to 512MB of DRAM.

Memory is accessed at 128 bits. Because the Alpha PCI 64-275 uses longword parity, 132 bits are required.

3.2.2.2 Memory Address Generation

The programmable base address of a bank set must be aligned to the natural size boundary. For example, an 8MB bank set must start on an 8MB boundary. The hardware allows for holes in memory with badly programmed addresses.

Each bank set has a programmable base address and size. The incoming physical address is compared in parallel with the memory ranges of all bank sets present. Depending on the size of the bank set, a variable number of physical address and base address bits from the CSR are compared.

3.2.2.3 Memory Page Mode Support

The 21071-CA supports page mode optimization on the memory banks within a transaction. Page mode between transactions is supported on DMA read burst transactions and on memory write transactions.

3.2.2.4 Read Latency Minimization

To minimize the read latency seen by devices on the sysBus, the memory controller performs certain optimizations in the way transactions are selected. In general, because write transactions can go into a deep write buffer, read transactions are given priority over write transactions (that is, to the extent that in some cases the memory controller waits for a read transaction to execute even if there are write transactions queued in the write buffer).

3.2.2.5 Transaction Scheduler

The memory interface does memory refresh, cache-line read and write transactions, and shift register loads to VRAM bank set 8. The memory controller has a scheduler that prioritizes transactions and selects one to be serviced. If the selected transaction is waiting for row address strobe (RAS) precharge, and another higher priority transaction is initiated, the scheduler deselects the previously chosen transaction and selects the higher priority transaction.

3.2.2.6 Programmable Memory Timing

The memory control state machine performs its sequence of steps through all memory transactions. On memory read and write transactions, it communicates with the 21071-BA chips so that data may be latched from the memData bus or driven onto the memData bus respectively.

The memory control state machine is actually two state machines (master, and read and write). The master state machine performs the RAS and column address strobe (CAS) assertions, and controls when the other state machine starts. The read and write state machine performs the sequencing for generating the **memcmd** to read or write memory data. The read and write state machine is started by the master and runs through its sequence independently.

3.2.2.7 Presence Detect Logic

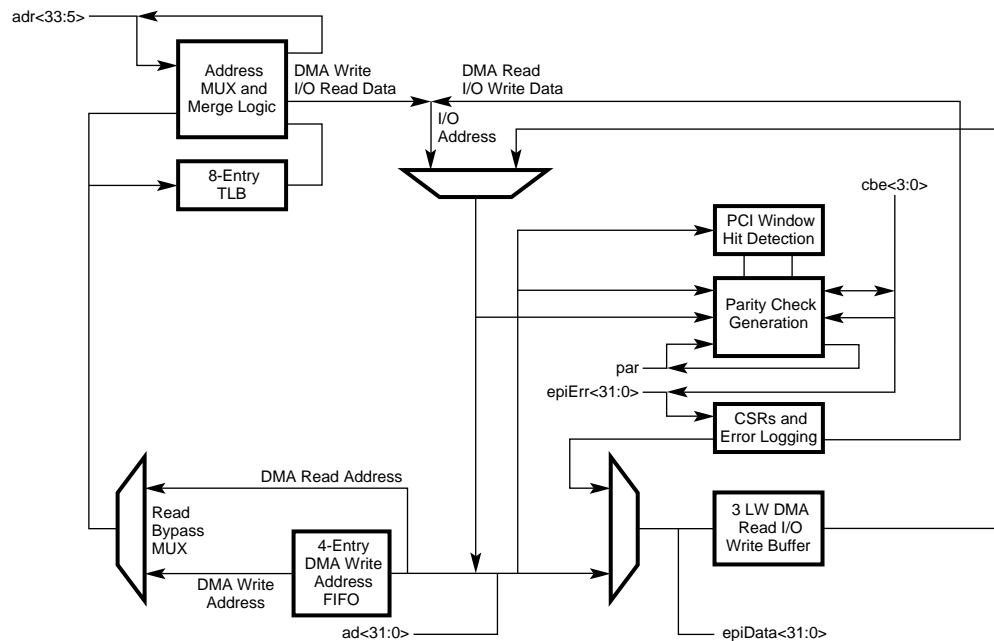
The 21071-CA supports loading the status of 32 presence pins into a register after reset. The 32 bits are loaded into a shift register on the module and then are shifted 1 bit at a time into the 21071-CA.

3.3 21071-DA Functional Overview

The 21071-DA is a bridge between the PCI local bus and the 21064A microprocessor and its L2 cache and memory. The 21071-DA contains all control functions of the bridge and some data path functions. Other data path functions reside in the 21071-BA.

The 21071-DA can be divided into two major sections: the sysBus (processor, memory) interface and the PCI interface. The following sections describe the sysBus and PCI interface features. Figure 3-6 shows a block diagram of the 21071-DA.

Figure 3-6 DECchip 21071-DA Block Diagram



LJ03949A.AI

3.3.1 sysBus Interface

The sysBus interface includes the sysBus control state machine, the address decode for CPU-initiated transactions, buffering for CPU-initiated transactions, and the 21071-DA control and status registers.

3.3.1.1 Address Decode

The 21071-DA provides logic for translating and extending between the 21064A 34-bit physical address space and the 32-bit PCI address space. The address decode in the 21071-DA uses the address mapping and translation scheme described in Chapter 4 to generate PCI addresses on CPU-initiated transactions. All systems using the 21071-DA are required to follow this address mapping scheme.

3.3.1.2 I/O Write Transaction Buffering

The 21071-DA supports *write-and-run* I/O write transactions (see the *PCI Local Bus Specification*) and implements a 1-entry write buffer. The address and control mechanism is in the 21071-DA; the corresponding data is stored in the 21071-BA.

3.3.1.3 I/O Read Data Buffering

The 21071-DA provides data buffering for one I/O read transaction initiated by the CPU. The I/O read buffer resides in the 21071-BA, but is controlled by the 21071-DA. The I/O read buffer is a temporary holding buffer and is invalidated at the end of each I/O read transaction.

3.3.1.4 Wrapping Mode

The 21071-DA supports wrapped mode only on transactions initiated by the 21064A. The requested quadword is the only one that is returned on I/O read transactions. To function correctly, the CPU must be configured in wrap mode.

3.3.2 PCI Interface

The PCI interface of the 21071-DA is a fully compliant PCI host bridge. It acts as a master on the PCI on CPU-initiated transactions and is a target on memory space transactions initiated by PCI masters.

3.3.2.1 DMA Address Translation

The PCI interface supports direct and scatter-gather mapping from the 32-bit PCI address to the 34-bit physical address space. It provides two windows that can be mapped to regions within the PCI address space. Each address region can be independently programmed to be direct mapped or scatter-gather mapped.

3.3.2.2 DMA Write Buffer

The PCI interface has a write buffer for buffering DMA write data. The DMA write buffer is made up of four entries. Each entry contains the cache-line address, eight longwords of data, the byte enables corresponding to each longword, and a valid bit for the entry. The untranslated PCI address is stored in the DMA write buffer. Address translation is performed when the particular entry is unloaded from the DMA write buffer. The address and valid bits are stored in the 21071-DA, and corresponding data and byte enables are stored in the 21071-BA.

3.3.2.3 DMA Read Buffer

The 21071-DA controls the DMA read buffer located in the 21071-BA. The buffer stores up to 16 longwords of data organized as two cache lines. A valid bit is implemented with each longword. Data received from the sysBus (memory or cache) is loaded into the DMA read buffer by the sysBus interface, and the corresponding valid bit is set. The data is unloaded by the PCI interface.

3.3.2.4 PCI Burst Length and Prefetching

The PCI interface supports a maximum burst length of 16 longwords on PCI write transactions directed toward main memory. If the PCI write transaction starts on an even cache-line boundary with PCI (**ad**<5> = 0 and PCI **ad**<4:2> = 0), a full burst of 16 longwords is supported. The transaction will be terminated using a PCI disconnect after the sixteenth longword has been received. In all other cases, the actual burst will be less than 16 longwords.

On DMA read transactions, a maximum burst length of eight longwords is supported if DMA prefetching is not enabled in the 21071-DA and if a PCI read multiple command was not used by the requesting device. A maximum burst length of 16 longwords is supported if DMA prefetching is enabled in the 21071-DA or if a PCI read multiple command was used by the requesting device.

On CPU-initiated read transactions, when the 21071-DA is a master on the PCI, a maximum burst length of two is supported.

On CPU-initiated write transactions, when the 21071-DA is a master on the PCI, a maximum burst length of two is supported in sparse memory and I/O spaces, and a maximum burst length of eight is supported in dense memory space.

3.3.2.5 PCI Burst Order

PCI address bits **ad<1:0>** specify the burst ordering requested by the master during memory transactions. When the 21071-DA is a master of the PCI, it will always indicate a linear incrementing burst order (**ad<1:0>** = 0) on read and write transactions.

On DMA transactions, the 21071-DA supports burst transfers only when a linear-incrementing burst order is specified. If the master specifies a different burst order (**ad<1:0>** is nonzero), the PCI interface disconnects the transaction after one data transfer.

3.3.2.6 PCI Parity Support

The 21071-DA complies with the specification that all PCI devices generate parity across PCI **ad<31:0>** (data and address lines) and **cbe#<3:0>** (command and byte enables). When it is master of the PCI, it also checks the incoming parity on I/O read transactions, interrupt vector read transactions, and configuration read transactions during data phases. When the 21071-DA is a target on the PCI, it checks parity during the address phase and during data phases on memory write transactions.

3.3.2.7 PCI Exclusive Access

The 21071-DA supports the PCI Exclusive Access protocol, using the **lock_1** signal. A locked transaction to main memory on the PCI causes the PCI interface to lock out all nonexclusive main memory accesses initiated by PCI masters. This is done by disconnecting the PCI transaction without completing any data transfers. Until the lock is cleared on the PCI, only the PCI master that locked main memory is allowed to complete transactions to main memory (see the *PCI Local Bus Specification*).

On the sysBus side, the PCI lock causes the system lock flag to be cleared by using the **ioclrlock** command encoded on the **iocmd<2:0>**. The system lock flag is held cleared until all locked DMA read and write transactions to memory have been completed on the sysBus and the lock is cleared on the PCI.

As a master on the PCI, the 21071-DA does not initiate locked transactions.

3.3.2.8 PCI Bus Parking

When no devices are requesting bus mastership, Digital recommends that the system arbiter grant default bus ownership to the 21071-DA by asserting its **iogrant** signal. This will reduce the latency for CPU-initiated transfers to the PCI when the bus is idle. Granting the PCI to a device when no requests are pending is referred to as **bus parking** in the *PCI Local Bus Specification*. If the 21071-DA is granted the bus when it is not requesting the PCI, it will drive the **ad<31:0>**, **cbe_1<3:0>**, and **par** signals.

The 21071-DA also supports PCI bus parking during reset. If the **iogrant** signal is asserted by the PCI arbiter (**req_1** is always tristated by the 21071-DA during reset), the 21071-DA will drive **ad<31:0>**, **cbe<3:0>**, and (one clock cycle later) **par**. When **iogrant** is deasserted, the 21071-DA tristates these signals.

3.3.2.9 PCI Retry Timeout

The 21071-DA implements a timeout mechanism to terminate CPU-initiated transactions that do not complete on the PCI because of too many disconnects or retries. When it initiates a CPU transaction on the PCI, the 21071-DA counts the number of times it is retried or disconnected. If the number exceeds 2^{24} , it flags an error to the CPU and aborts the transaction.

3.3.2.10 PCI Master Timeout

The PCI protocol specifies a mechanism to limit the duration of a master's burst sequence. The mechanism requires a PCI master to implement a latency timer that counts the number of cycles since the assertion of **frame#**. If the master latency timer has expired and the master's grant has been taken away, the master is required to surrender the bus.

This mechanism is intended to prevent masters from holding bus ownership for extended periods of time, and selects low latency in instead of high throughput. The 21071-DA implements a programmable master latency timer.

3.3.2.11 Address Stepping in Configuration Cycles

To provide flexibility and reduce design complexity when using the address-stepping feature, the 21071-DA performs address stepping on configuration read and write transactions. For these transactions, the 21071-DA will drive the PCI bus for two clock cycles during the address phase for the **idsel#** pins of all PCI devices to reach a valid logic level. The 21071-DA does not perform address or data stepping in any other case.

3.3.2.12 Data Coherency

There are generally two agents in the system where data transfer actions must be synchronized: CPU and a remote PCI device. The 21071-DA maintains data coherency and synchronization between the agents by using the following mechanisms:

- The 21071-DA preserves strict ordering of DMA write transactions initiated on the PCI.
- DMA read transactions can bypass write transactions that are not to the same address (double cache line). Strict ordering is maintained between read and write transactions to the same address.

- I/O transfers from the CPU to the PCI or to 21071-DA CSRs are performed in order. This policy guarantees a coherent view of PCI I/O space from the CPU.
- The 21071-DA flushes DMA write data to memory before acknowledging a barrier command from the CPU. Because explicit ordering commands are absent on the PCI, the MB instruction is used to order CPU and DMA accesses.
- The 21071-DA also flushes the I/O write buffer to the PCI before acknowledging a barrier command. This preserves the order between CPU I/O accesses and CPU memory accesses.
- The 21071-DA clears the system lock flag on PCI exclusive read and write transactions to system memory.

3.3.2.13 Deadlock Resolution

There are two major buses allocated for use during data transfers: the sysBus and the PCI. Some data transfers require the use of both of these buses to complete. In particular, CPU I/O transfers to or from the PCI require ownership of the sysBus followed by ownership of the PCI. Similarly, PCI DMA transfers to or from the memory subsystem require ownership of the PCI followed by ownership of the sysBus.

Because of the nonpended nature of these buses, during read transfers (I/O or DMA), both buses must be held at the same time for the transfer to complete. Generally, because the 21071-DA features write-and-run style buffering, only one bus must be held at a time during write transfers (I/O or DMA). However, when a write buffer is full, both buses must be held at the same time so that some data from the write buffer can be flushed before new data is accepted.

The 21071-DA resolves deadlock by forcing the CPU to relinquish ownership of the sysBus, thereby giving priority to the PCI agent. By giving priority to the PCI agent, the 21071-DA provides the system designer more flexibility in the choice of PCI devices. That is, it supports devices that use the PCI disconnect in handling deadlock situations. The 21071-DA forces the CPU to relinquish the sysBus by using a preempt request while arbitrating for the sysBus.

3.3.2.14 Guaranteed Access-Time Mode

The Intel 82378ZB ISA bridge provides three sideband signals (**flushreq_1**, **memreq_1**, and **memack_1**) to provide mechanisms for flushing system write buffers and to allow a guaranteed access time of 2.1 μ s to a master on the ISA bus. The **flushreq_1** and **memreq_1** signals are outputs from the bridge; **memack_1** is an input to the bridge.

Note

The Alpha PCI 64-275 does not support guaranteed access-time mode.

3.3.2.15 Interrupts

The 21071-DA interrupts the CPU by using the **int_hw0** signal when it has errors to report. The 21071-DA does not distinguish between hard and soft errors when asserting the interrupt signal.

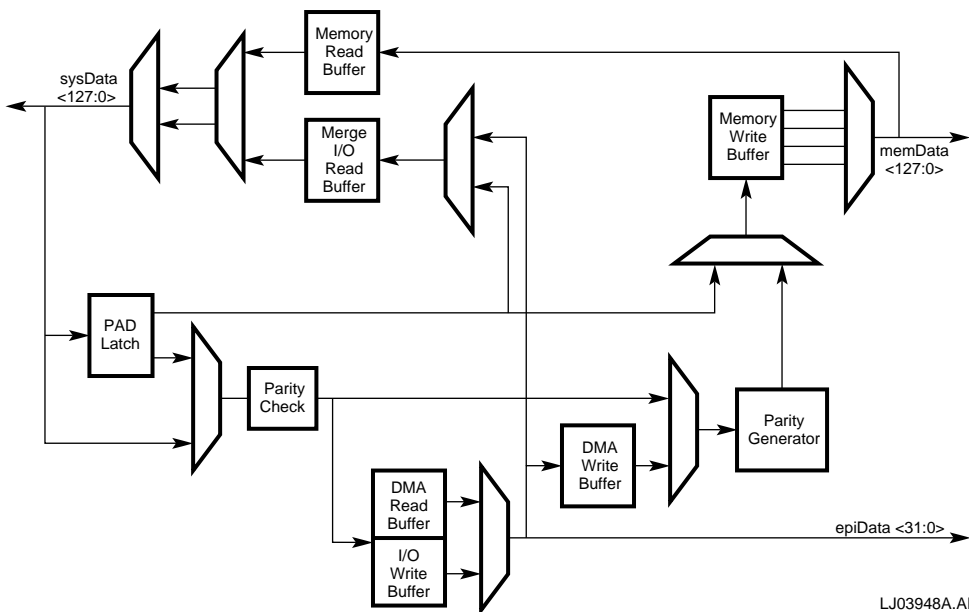
The 21071-DA does not provide an interval timer interrupt. This functionality should be provided to the CPU by some other device in the system. In addition, interrupts from other PCI devices or from a PCI interrupt controller must be sent directly to the CPU without intervention.

The 21071-DA participates in the interrupt acknowledge process. It responds to CPU read block commands directly to the interrupt acknowledge address space, which triggers the 21071-DA to perform an interrupt acknowledge transaction on the PCI. The interrupt vector returned on the PCI is returned to the CPU through the sysBus by the 21071-DA.

3.4 21071-BA Functional Overview

This section describes the data bus configurations and provides a functional overview of the 21071-BA. Figure 3–7 shows a block diagram of the 21071-BA.

Figure 3–7 DECchip 21071-BA Block Diagram



3.4.1 sysData Bus

With the 21072-AA configuration, only the lower 32 bits of the **sysData** bus are used:

- 21071-BA0 connects to **data<31:0>** (longword 0)
- 21071-BA1 connects to **data<63:32>** (longword 1)
- 21071-BA2 connects to **data<95:64>** (longword 2)
- 21071-BA3 connects to **data<127:96>** (longword 3)

3.4.2 memData Bus

With a memData bus of 128 bits, four 21071-BA chips are required, that is:

- 21071-BA0 connects to longword 0 (**memdata<31:0>**)
- 21071-BA1 connects to longword 1 (**memdata<63:32>**)
- 21071-BA2 connects to longword 2 (**memdata<95:64>**)
- 21071-BA3 connects to longword 3 (**memdata<127:64>**)

3.4.3 epiData Bus

Each 21071-BA has 32 epiData bus pins. The epiData pins of the 21071-BA chips are tied together to form a 32-bit epiData bus.

3.4.4 Memory Read Buffer

The memory read buffer stores data that is read from memory before it is returned to the CPU on the sysBus or to DMA in the DMA read buffer.

Each 21071-BA stores four longwords of data and corresponding parity bits in the memory read buffer. The 4-chip system contains an additional eight longwords of storage; however, the extra storage is not usable.

3.4.5 I/O Read Buffer and Merge Buffer

On CPU-initiated memory transactions, the buffer performs the merge buffer functions. On CPU-initiated I/O read transactions addressed to or through the 21071-DA, the buffer acts as the I/O read buffer. Loading of data into the buffer is controlled by the 21071-CA and 21071-DA.

Each 21071-BA contains four longwords of data and corresponding parity bits. The parity bits are meaningful only for merge data. The parity bits are UNPREDICTABLE for I/O read data.

3.4.6 I/O Write Buffer and DMA Read Buffer

This buffer can store up to four entries of data, where each entry has four longwords for each 21071-BA. Data from this buffer is sent out on the epiData bus. In the 21072-AA implementation, two entries of this buffer are allocated for I/O write data storage, and two entries are allocated for DMA read data storage. The four 21071-BA system uses only two of the four longwords of each entry. However, the extra storage is not accessible. Loading of each entry can be controlled separately, allowing maximum flexibility in allocating the buffer entries to the 21071-DA. Loading of the buffer is handled by the 21071-CA, with the address provided by the 21071-DA on **iolinesel<1:0>**. The 21071-DA controls unloading of the buffer.

3.4.7 DMA Write Buffer

The DMA write buffer has four entries. Each entry contains four longwords for each 21071-BA and corresponding byte masks. However, only half the storage for each entry is used. The extra storage is not accessible.

The DMA write buffer is loaded by the 21071-DA and is unloaded by the 21071-CA during a DMA write transaction on the sysBus. The byte masks are used to merge the valid bytes of data written in the DMA write buffer with the background data from the cache line, which may be obtained from the L2 cache or memory.

3.4.8 Memory Write Buffer

The memory write buffer has four entries. Each entry contains four longwords of data for each 21071-BA along with the corresponding parity bits. The memory write buffer is loaded by the 21071-CA sysBus interface and is unloaded by the 21071-CA memory controller.

3.4.9 Error Checking

The 21071-BA performs error checking on DMA transactions. When memory or L2 cache data is read because of a DMA transaction (a DMA read or a DMA-masked write transaction), the data is checked for parity errors.

If the data contains a parity error, the 21071-DA is notified (for a DMA read transaction), or bad parity is written back into memory (for a DMA write transaction).

In case of a DMA-masked write transaction, parity is generated for the merged data going into the memory write buffer.

3.4.10 epiBus Data Path

The epiBus may be used to load the I/O read buffer or the DMA write buffer. In addition to write data, byte masks are stored in the DMA write buffer.

The epiBus may also be used to unload the DMA read buffer (which also serves as the I/O write buffer).

3.4.11 sysBus Output Selectors

Two levels of multiplexers select the output for the sysData bus. The first level selects the source for each longword of data and parity bits. The second level selects the two longwords to be driven on the sysData bus.

3.5 Error Handling

The first error causes CSR error bits and the associated error address register to be set and locked. If another error occurs, only the lost error bit is set and **int_hw0** is asserted to interrupt the processor. The **int_hw0** signal is held asserted as long as the corresponding error bit is set.

The PCI error address register (PEAR) logs addresses sent out or received on the PCI. The sysBus error address register (SEAR) logs the address that was sent out or received on the sysBus.

The 21071-DA returns a hard error condition in the **iocmd<2:0>** field on I/O read transactions with errors. No interrupt is asserted in this case because the 21064A has been notified that the read transaction had an error. There is no case where the 21071-DA returns a soft error condition on an I/O read transaction.

I/O write transactions are acknowledged with OK (100₂ on **cack<2:0>**) because of the *write-and-run* feature for I/O write transactions in the 21071-DA. The transaction is acknowledged on the sysBus before it is initiated on the PCI. Interrupt **int** is asserted to notify the 21064A that an error has occurred on the PCI during the I/O write transaction.

All DMA transaction errors are flagged by interrupting the processor with **int** when the error occurs.

3.6 Clock Subsystem

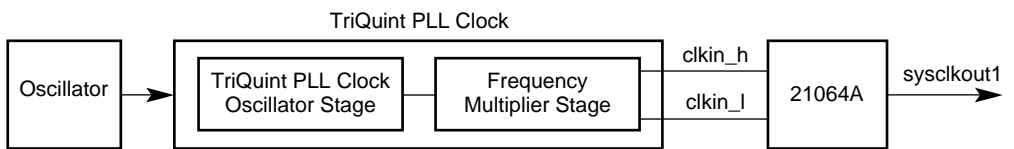
The system clocks can be divided into three areas: the input clocks required by the CPU, CPU clock distribution to the system logic, and miscellaneous oscillators and clocks required for the peripheral interfaces and functions.

The 21064A CPU clock input is provided by a TriQuint phase-locked loop (PLL) clock oscillator.

3.6.1 TriQuint PLL Clock Oscillator

As shown in Figure 3–8, the TriQuint PLL clock oscillator is composed of two stages: oscillator and frequency multiplier, with the multiplier producing the CPU clock input (**clk_{in}_h** and **clk_{in}_l**). Depending on the PLL clock part selected (listed in Table 3–1), the oscillator stages can operate from 25 MHz to 50 MHz, with the multiplier stages producing output frequencies of 250 MHz to 700 MHz.

Figure 3–8 TriQuint Clock Generator



LJ04137A.SW

Table 3–1 TriQuint Operating Frequencies

PLL Part	Operating Frequencies
TQ2059	Oscillator running from 25 MHz to 35 MHz, X10 multiplier output from 250 MHz to 350 MHz
TQ2060	Oscillator running from 35 MHz to 50 MHz, X10 multiplier output from 350 MHz to 500 MHz
TQ2061	Oscillator running from 25 MHz to 35 MHz, X20 multiplier output from 500 MHz to 700 MHz

Assume a TriQuint 500-MHz differential clock is supplied to the CPU. The CPU divides the clock by 2, generating its internal clock operating at 250 MHz.

The internal clock is further divided by the CPU to generate the system clock (**sysclkout1**). The system clock divisor can be programmed over a range from 2 to 17 as specified in the description of the J3 connector jumpers in Table 2-2.

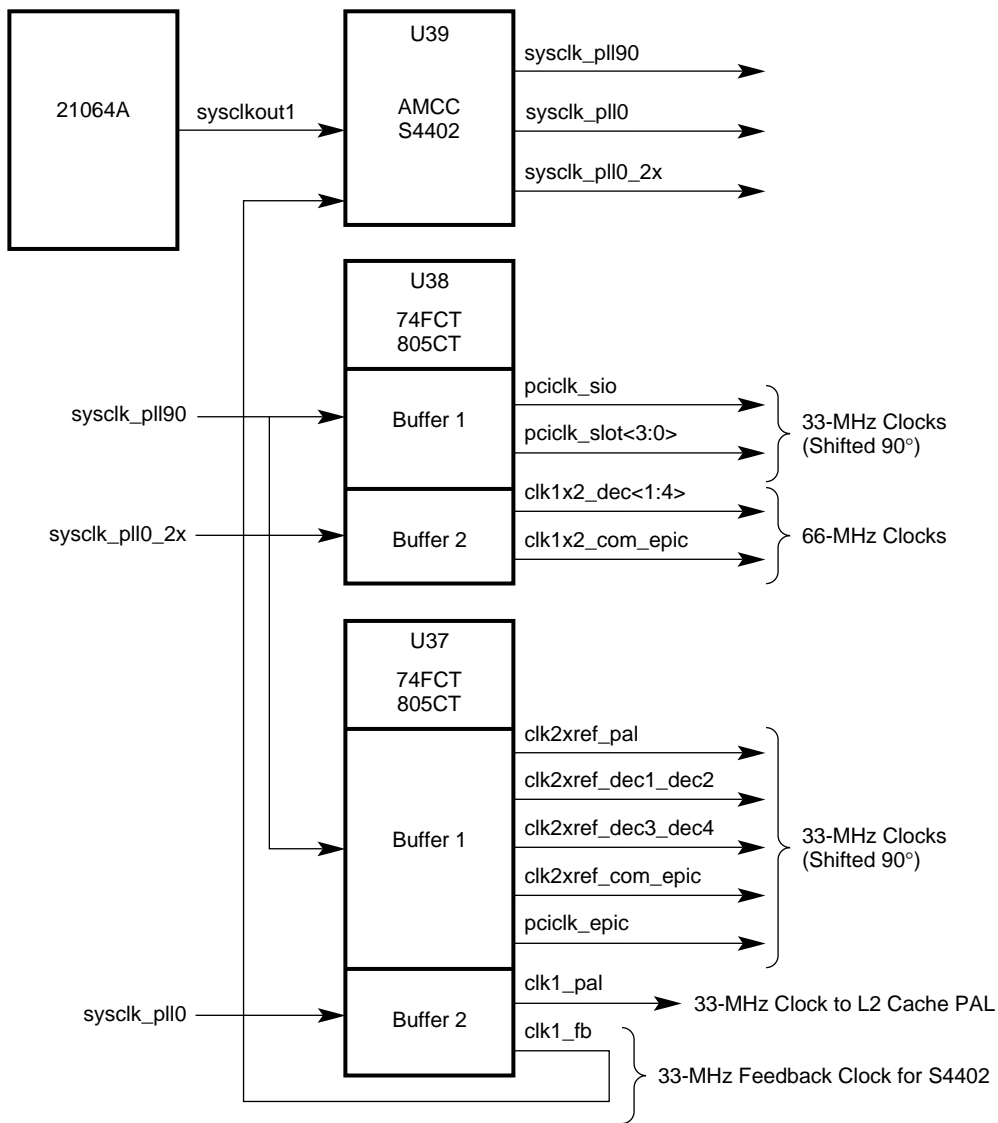
Note

For other clocks generated by the CPU and not used on the board, refer to the *Alpha 21064 and Alpha 21064A Microprocessors Hardware Reference Manual*.

3.6.2 System Clock Distribution

Figure 3-9 shows the primary clock distribution network for both phase-locked loop (PLL) devices. The major module clock, **sysclkout1**, is developed by the 21064A. It is sent to U39, a PLL clock device (AMCC S4402).

Figure 3–9 Primary Clock Distribution Network



LJ-04456.A15

U40 generates six 66-MHz clock signals, which are distributed as shown in Table 3–2.

Table 3–2 Distribution of 66-MHz Clock Signals

Clock Signal Name	Destination
clk1x2_dec1	21071-BA0
clk1x2_dec2	21071-BA1
clk1x2_dec3	21071-BA2
clk1x2_dec4	21071-BA3
clk1x2_com_epic	21071-DA

U39 generates thirteen 33-MHz clock signals. These 33-MHz clock signals are shifted 90 degrees. They are distributed as shown in Table 3–3.

Table 3–3 Distribution of 33-MHz Shifted Clock Signals

Clock Signal Name	Destination
pciclk_slot<3:2>	PCI slots 3 and 2
pciclk_slot<1:0>	PCI slots 1 and 0
pciclk_sio	Saturn IO chip (PCI-to-ISA bridge)
pciclk_epic	21071-CA,
clk2xref_dec1_dec2	21071-BA0
clk2xref_dec3_dec4	21071-BA2
clk2xref_com_epic	21071-DA
clk2xref_pal	L2 cache PALs

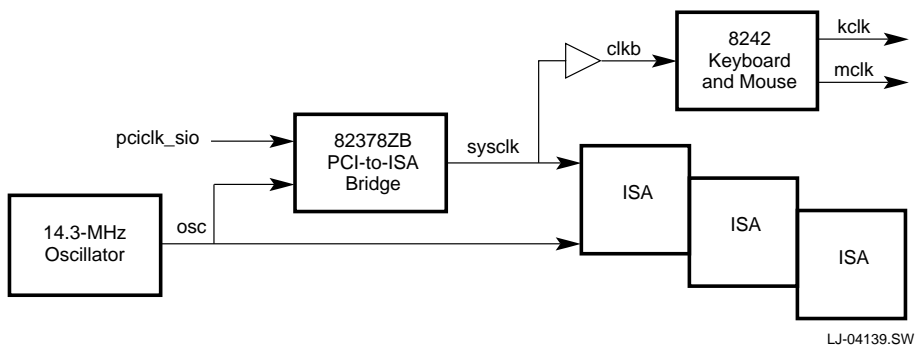
U40 also generates two 33-MHz clock signals, which are distributed as shown in Table 3-4.

Table 3-4 Distribution of 33-MHz Clock Signals

Clock Signal Name	Destination
clk1_pal	U25 (L2 cache PAL)
clk1_fb	U39 (provide feedback to S4402 PLL)

There are two additional oscillators that provide 14.3-MHz and 24-MHz clocks for the Alpha PCI 64-275, as shown in Figure 3-10.

Figure 3-10 Buffered Clock Distribution Network



A 14.3-MHz oscillator (69.9-ns period) output is buffered and produces **osc**, which is routed to the host PCI-to-ISA bridge (*AlphaPC64.26*) and the three ISA slots. This is the standard 14.31818-MHz ISA clock.

A 24-MHz oscillator (41.7-ns period) produces **osc24**, which provides clocking for the National 87312 combination chip.

3.7 PCI Interrupts and Arbitration

The following subsections describe the PCI interrupt and arbitration (arbiter) logic.

3.7.1 System Interrupts

Figure 3–11 shows the Alpha PCI 64-275 interrupt logic. Interrupt logic is implemented in two programmable logic devices (PLDs), MACH210–20 and AMD22V10–25. The PLDs allow each PCI and Saturn IO (SIO) chip interrupt to be individually masked. The PLDs also allow the current state of the interrupt lines to be read.

The Alpha PCI 64-275 has 17 PCI interrupts: four from each of the four PCI slots (16) and one from the SIO bridge.

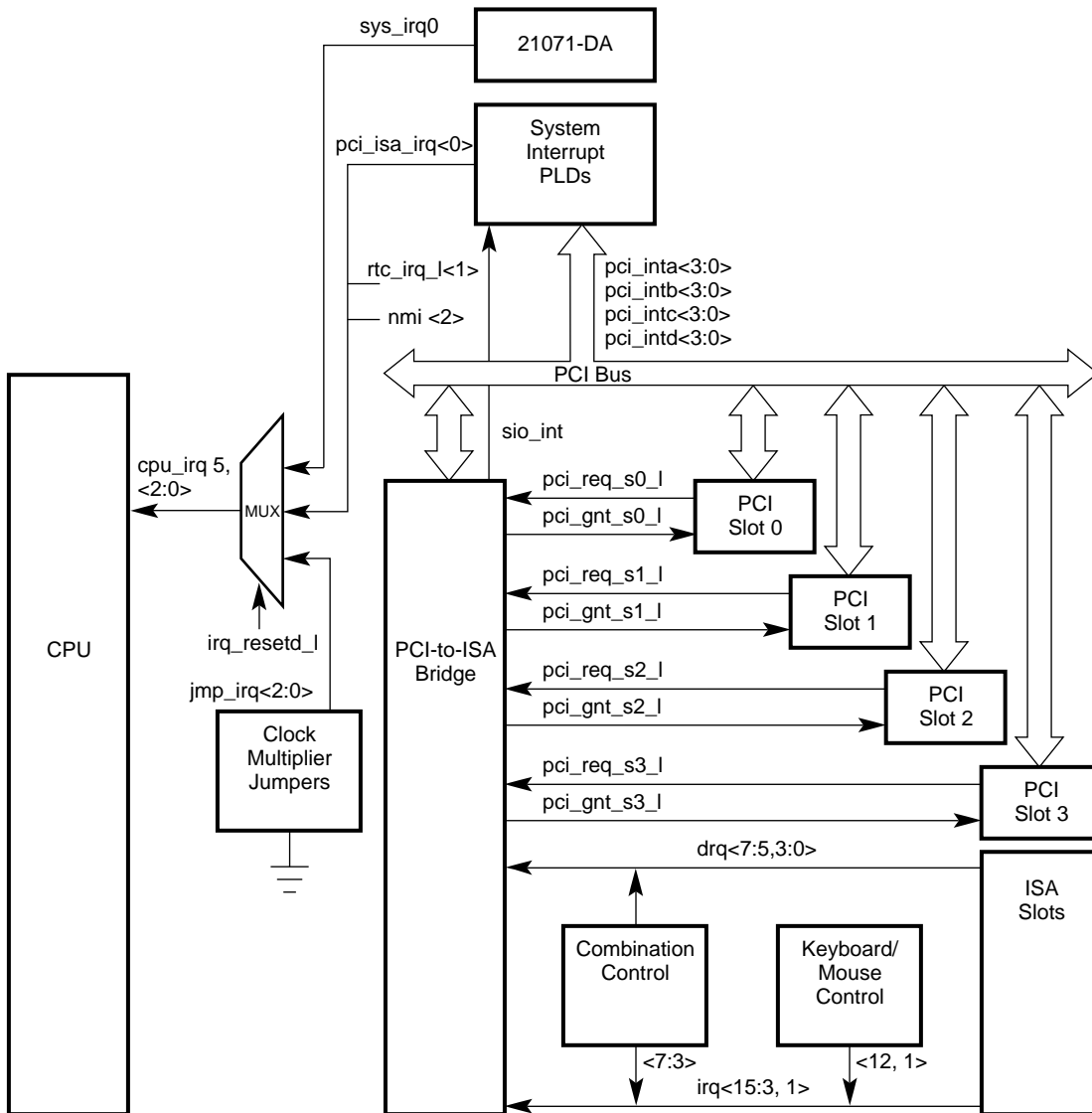
All PCI interrupts are combined in the PLD and drive a single output signal, **pci_isa_irq**. This signal drives CPU input **cpu_irq0** through a multiplexer. There is also a memory controller error interrupt and an I/O controller error interrupt within the CPU.

The CPU interrupt assignment, during normal operation, is listed in Table 3–5.

Table 3–5 CPU Interrupt Assignment

Interrupt Source	CPU Interrupt	Description
pci_isa_irq	cpu_irq0	Combined output of the interrupt PLD
rtc_irq_1	cpu_irq1	Real-time clock interrupt from DS1287
nmi	cpu_irq2	Nonmaskable interrupt from the SIO bridge
—	cpu_irq3 , cpu_irq4	Not used; tied to ground
sys_irq0	cpu_irq5	Hardware interrupt from the PCI host bridge (21071-CA)

Figure 3-11 Interrupt Control and PCI Arbitration



LJ-04140.SW

Three jumpers (J14, J15, and J16) connect to one side of the multiplexer. The jumper configuration sets the CPU clock multiplier value through the IRQ inputs during reset.

The ISA bus interrupts (IRQ0 through IRQ8 and IRQ12 through IRQ14) are all nested through the SIO and then into the CPU. The interrupt assignment is configurable but is normally used as follows:

Interrupt Level	Interrupt Source
IRQ0	Interval timer
IRQ1	Keyboard
IRQ2	Chains interrupt from slave peripheral interrupt controller (PIC)
IRQ3	8-bit ISA from serial port COM2
IRQ4	8-bit ISA from serial port COM1
IRQ5	8-bit ISA from parallel port (or IRQ7)
IRQ6	8-bit ISA from floppy disk controller
IRQ7	8-bit ISA from parallel port (or IRQ5)
IRQ8	Unused (real-time clock internal to the SIO)
IRQ9,10,11	16-bit ISA
IRQ12	Mouse
IRQ13	16-bit ISA
IRQ14	IDE
IRQ15	16-bit ISA

The Alpha PCI 64-275 timer interrupt is generated by the real-time clock by means of **cpu_irq1**, rather than by the timer within the SIO, which would route the interrupt through the ISA bus interrupts.

Interrupt PLDs Function

The MACH210 PLD acts as 8-bit I/O slave on the ISA bus at addresses 804, 805, and 806. This is accomplished by a decode of the three ISA address bits **sa<2:0>** and the three **ecas_addr<2:0>** bits.

Each interrupt can be individually masked by setting the appropriate bit in the mask register. An interrupt is disabled by writing a 1 to the desired position in the mask register. An interrupt is enabled by writing a 0. For example, bit <7> set in interrupt mask register 1 indicates that the INTB2 interrupt is disabled. There are three mask registers located at ISA addresses 804, 805, and 806.

An I/O read at ISA addresses 804, 805, and 806 returns the state of the 17 PCI interrupts rather than the state of the masked interrupts. On read transactions, a 1 means that the interrupt source shown in Figure 3–12 has asserted its interrupt. The mask register can be updated by writing addresses 804, 805, or 806. The mask register is write-only.

Figure 3–12 Interrupt and Interrupt Mask Registers

Interrupt and Interrupt Mask Register 1 (ISA Address 804h)

7	6	5	4	3	2	1	0
intb2	intb1	intb0	sio	inta3	inta2	inta1	inta0

Interrupt and Interrupt Mask Register 2 (ISA Address 805h)

7	6	5	4	3	2	1	0
intd2	intd1	intd0	intc3	intc2	intc1	intc0	intb3

Interrupt and Interrupt Mask Register 3 (ISA Address 806h)

7	6	5	4	3	2	1	0
RAZ	RAZ	RAZ	RAZ	RAZ	RAZ	RAZ	intd3

Notes: RAZ = Read-as-Zero, Read-Only
 Interrupt Mask Register Is Write-Only

LJ-04211.AI

3.7.2 PCI/ISA Arbitration

Arbitration logic is implemented in the Intel 82378ZB Saturn IO (SIO) chip. The arbitration scheme is flexible and software programmable. Refer to the Intel *82420/82430 PCIset ISA and EISA Bridges* document for more information about programmable arbitration.

3.8 PCI Devices

The Alpha PCI 64-275 uses the PCI bus as the main I/O bus for the majority of peripheral functions. The board implements the ISA bus as an expansion bus for system support functions and peripheral devices.

3.8.1 Intel Saturn IO Chip

The SIO chip provides the bridge between the PCI bus and the Industry Standard Architecture (ISA) bus. The SIO chip incorporates the logic for the following:

- A PCI interface (master and slave)
- An ISA interface (master and slave)
- Enhanced 7-channel DMA controller that supports fast DMA transfers and scatter gather, and data buffers to isolate the PCI bus from the ISA bus
- PCI and ISA arbitration
- A 14-level interrupt controller
- A 16-bit BIOS timer
- Three programmable timer counters
- Nonmaskable interrupt (NMI) control logic
- Decoding and control for utility bus peripheral devices
- Speaker driver

Refer to the Intel *82420/82430 PCIset ISA and EISA Bridges* document for additional information.

3.8.2 PCI Expansion Slots

Four PCI bus expansion slots are available on the Alpha PCI 64-275, with one slot shared with the ISA. The four slots use the standard 5-V PCI connector and pinout for 32-bit implementation. This allows the system designer to add additional PCI options.

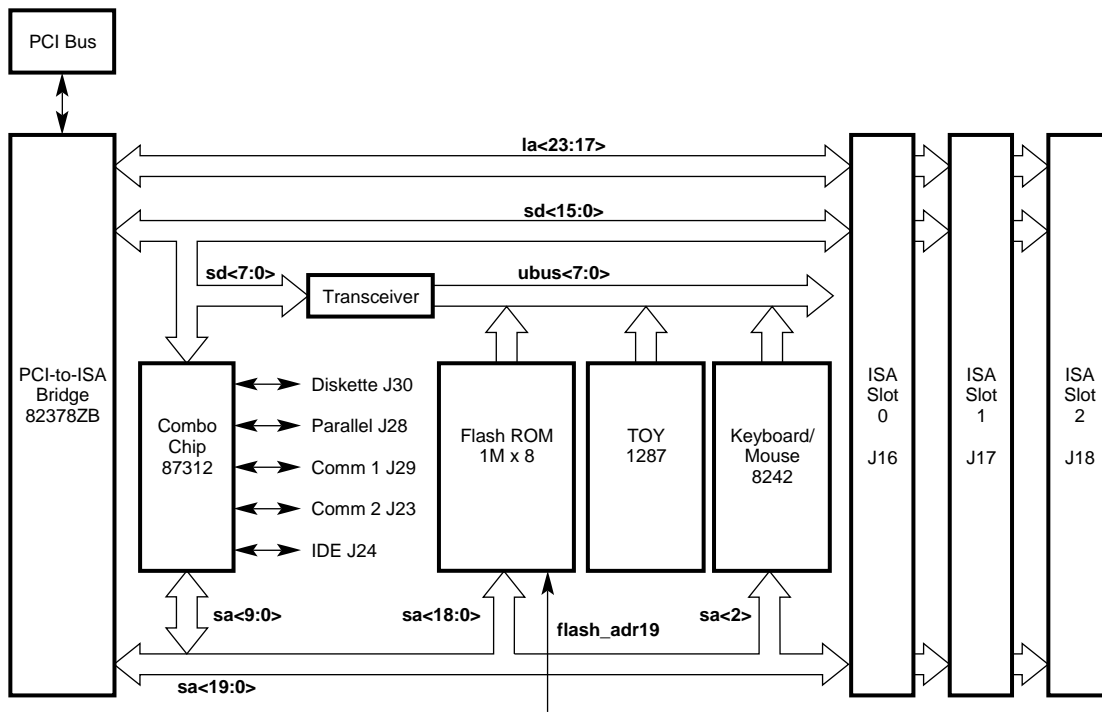
3.8.3 PCI Graphics Interface

Windows NT is best used with a full graphics interface. For general purpose graphics work, Digital's PBXGA series of PCI options are excellent inexpensive controllers, suitable for most user applications.

3.9 ISA Devices

Figure 3–13 shows the Alpha PCI 64-275 ISA bus implementation with peripheral devices and connectors. Also shown is the utility bus with system support devices.

Figure 3–13 ISA Devices



LJ04141A.AI5

3.9.1 Keyboard and Mouse Controller

The Intel N8242 located on the ISA utility bus provides the keyboard and mouse controller functions. It is packaged in a 44-pin plastic leadless chip carrier (PLCC) configuration.

The 8242 is an Intel UPI-42AH universal peripheral interface. It is an 8-bit slave microcontroller with 2KB of ROM and 256 bytes of RAM that has been preprogrammed with a keyboard BIOS for standard scan codes.

Refer to either of the following Intel documents for additional information:

- *UPI™-41AH/42AH Universal Peripheral Interface 8-Bit Slave Microcontroller*
- *Peripheral Components*

3.9.2 Combination Controller

The Alpha PCI 64-275 uses the National PC87312 as the combination controller chip (see Figure 3-13). It is packaged in a 100-pin PQFP configuration. The chip provides the following ISA peripheral functions:

- Diskette controller—Software compatible to the Intel PC8477 (contains a superset of the Intel DP8473 and NEC μ PD765) and the Intel N82077 FDC functions. The onchip analog data separator requires no external filter components and supports the 4MB drive format and 5.25-inch and 3.5-inch diskette drives. FDC data and control lines are brought out to a standard 34-pin connector. A ribbon cable interfaces the connector to one or two diskette drives.
- Serial ports—Two UARTs with modem control, compatible with NS16450 or PC16550, are brought out to separate onboard, 10-pin connectors. The lines can be brought out through 9-pin female D-sub connectors on the bulkhead of a standard PC enclosure.
- Parallel port—The bidirectional (jumper-controlled) parallel port is brought out to an onboard 26-pin connector. It can be brought out through a 25-pin female D-sub connector on the bulkhead of a standard PC enclosure.
- IDE interface control—The IDE control logic provides a complete IDE interface, including external signal buffers.

An onboard 24-MHz oscillator supplies a reference clock for the diskette data separator and serial ports.

Refer to National document *PC87311/PC87312 (Super I/O™ II/III) Floppy Disk Controller with Dual UARTs, Parallel Port, and IDE Interface* for additional information.

3.9.3 Time-of-Year Clock

The Dallas DS1287 chip, located on the ISA utility bus, provides the time-of-year (TOY) function. It is contained in a plastic 24-pin dual inline package (DIP). The DS1287 is designed with onchip RAM, a lithium battery, a quartz crystal, and write-protection circuitry (see Figure 3–13).

The functions available to the user include the following:

- Nonvolatile time-of-day clock
- Alarm
- 100-year calendar
- Programmable interrupt
- Square-wave generator
- 50 bytes of nonvolatile static RAM

The time of day and memory are maintained in the absence of power through the lithium battery.

The DS1287 includes three separate, fully automatic interrupt sources for a processor. The alarm interrupt can be programmed to occur at rates from one per second to one per day. The periodic interrupt rate can be selected from 122 μ s to 500 ms. The update-ended interrupt can be used to indicate to the program that an update cycle has completed. The device interrupt line is presented to the system interrupt PLD.

3.9.4 Utility Bus Memory Devices

The Alpha PCI 64-275 utility bus drives the Intel 28F008SA flash ROM. This 1MB flash ROM provides nonvolatile memory for operating system and firmware support. The flash ROM is split into two 512KB segments. Selection between the two segments is determined by the value of **flash_adr19**. This signal is latched and driven by the interrupt PALs that reside on the ISA bus. Writing a 0 to ISA location 800₁₆ selects the lower 512KB; writing a 1 selects the upper 512KB.

In order for the flash ROM to be written, 12 V dc must be present on the V_{pp} pin of the flash ROM. Jumper J16 controls the voltage to this pin. With the jumper across pins 2 and 3, the contents of the flash ROM can be modified. With the jumper across pins 1 and 2, it is protected from accidental write operations (see Table 2–2).

Refer to the Intel *Flash Memory* document for additional information about pin assignments and signal descriptions, register descriptions, and a functional description (including timing, electrical characteristics, and mechanical data).

3.9.5 ISA Expansion Slots

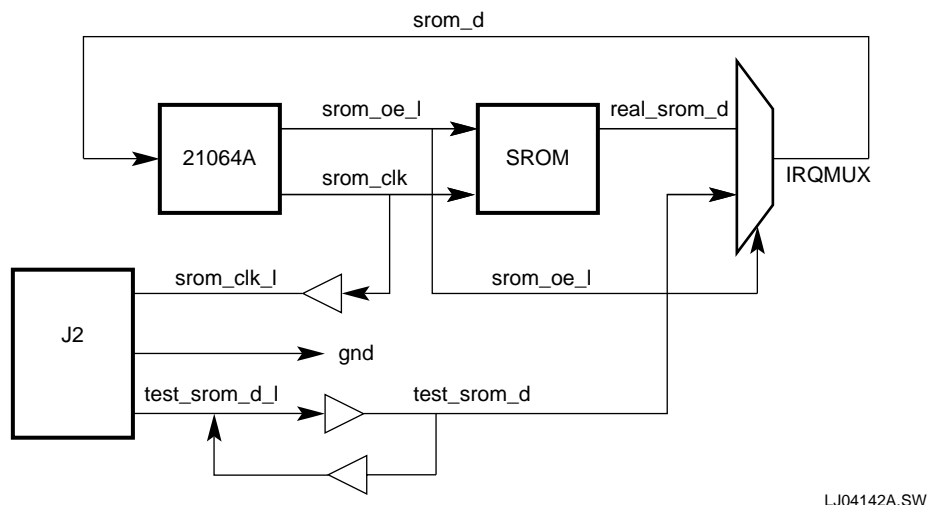
Three ISA expansion slots are provided for plug-in ISA peripherals. One of the slots is shared with the PCI and can be used for a PCI or ISA device.

3.10 Serial ROM

The 21064A uses a serial ROM (SROM) for its initialization code. When **reset** is deasserted, the contents of the SROM are read into the Icache of the 21064A. The code is then executed from the Icache. Section B.1 describes the general steps performed by the SROM initialization.

Figure 3–14 is a simplified block diagram of the SROM serial port logic. The multiplex function for SROM signal **real_srom_d** and serial port signal **test_srom_d** is performed by IRQ_T1_MACH210A to gain an SROM data input to the 21064A.

Figure 3–14 SROM Serial Port



LJ04142A.SW

After the SROM code has been read into the Icache, the 21064A SROM port can be used as a software controlled serial port. The serial port can be used for such things as diagnosing system problems when the only working devices are the 21064A, the SROM, and the logic required for their direct support.

3.11 dc Power Distribution

The Alpha PCI 64-275 derives its system power from a user-supplied, industry-standard PC power supply. The power supply must provide +12 V dc, -12 V dc, -5 V dc, +5 V dc, and 3.3 V dc. The dc power is supplied through power connectors J27, J28, J29, and J31 (see Figure 3-15). Power is distributed to the board logic through dedicated power planes within the 6-layer board structure.

As shown in Figure 3-15, the +12 V dc, -12 V dc, and -5 V dc are supplied to ISA connectors J17, J18, and J19.

The +12 V dc and -12 V dc are supplied to PCI connectors J20, J21, J22, and J23.

The +12 V dc is also supplied to the CPU fan connector J13 and enclosure fan connector J1.

+5 V dc is supplied to ISA connectors J17, J18, and J19 and PCI connectors J20, J21, J22, and J23.

A TL7702B power monitor senses the +3.3 Vdc input to ensure that it is stable before the 21064A inputs and I/O pins are driven. Any device that drives the 21064A has a tristate output controlled by the power monitor output.

If the +3.3 Vdc output fails, the power monitor enables **sense_dis**, which is applied to the reset logic. The reset logic generates a group of reset functions to the 21064A and the remainder of the system, including PCI devices (see Section 3.12).

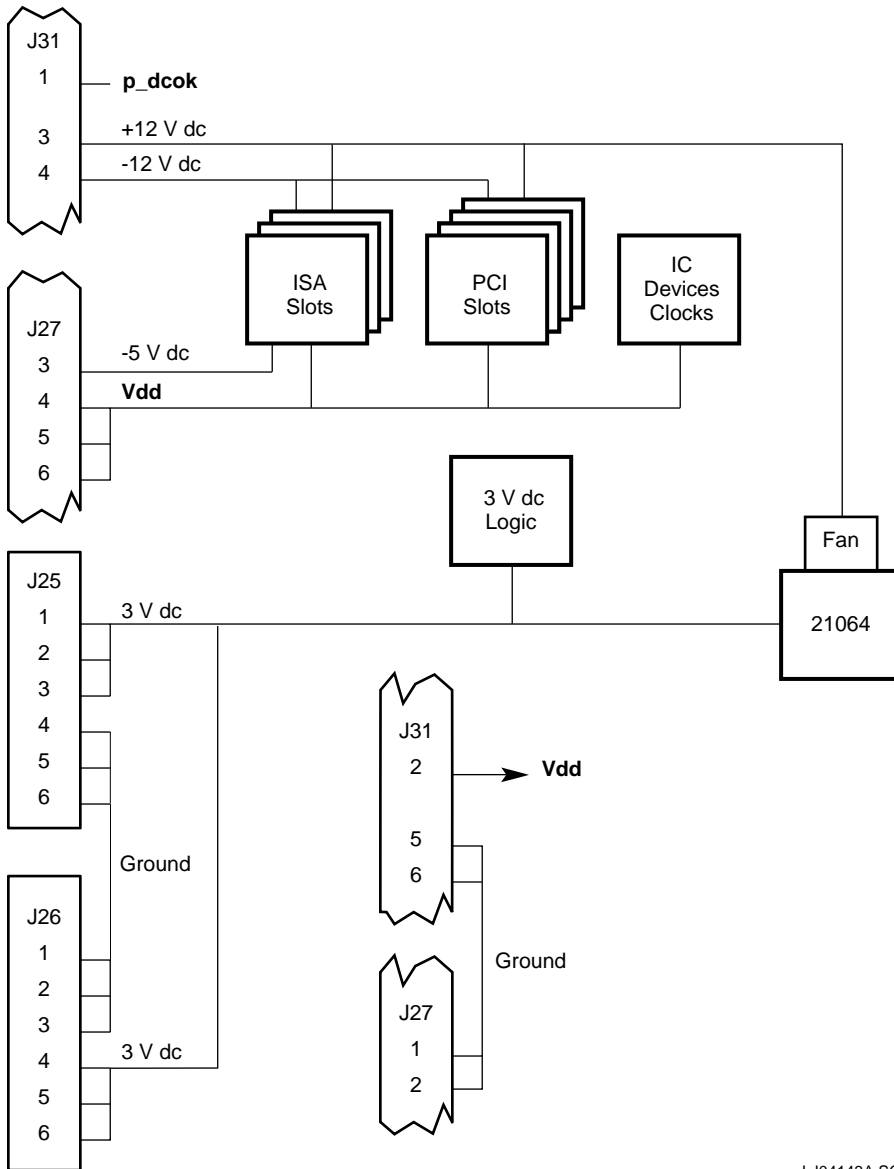
3.12 Reset and Initialization

An external switch can be connected to J3 pins 28 and 30 to control the reset signal (see Figure 3-16). The external switch state is ORed with **p_dcok**, from the external power supply and with **fan_ok_1** to assert **pre_reset**. The **pre_reset** function initializes the 21064A and the system logic, but does not send an initialization pulse to the ISA devices.

If either **p_dcok** or **fan_ok_1** is deasserted, it will cause **pre_reset** to be asserted and **b_dcok** to be deasserted. Asserting **b_dcok** causes a full system initialization, equivalent to a power-down and power-up cycle.

Figure 3-15 dc Power Distribution

Power Connectors:



LJ04143A.SGW

3.13 System Software

The Alpha PCI 64-275 software is divided into the following categories:

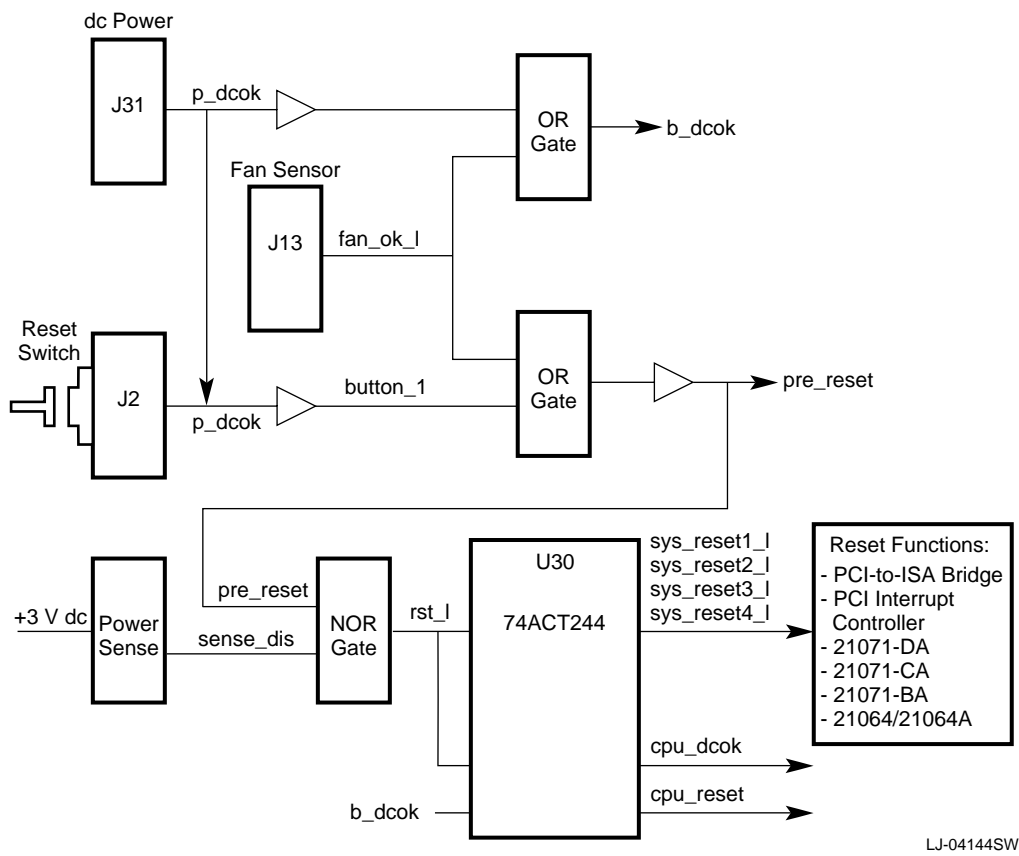
- Serial ROM code
- Flash ROM code
- Operating systems

3.13.1 Serial ROM Code

The serial ROM code is contained in the Xilinx XC1765D serial configuration ROM. The code is executed by the 21064A on power-up as described in Section 3.10 and in the *Alpha Microprocessors SROM Mini-Debugger User's Guide*. The serial ROM code initializes the system, which includes loading debug monitor or other code from the flash ROM. The serial ROM code then transfers control to the code loaded from the flash ROM.

The mini-debugger is also resident in the SROM. A jumper can be set on J3 pins 23 (sp_bit6) and 24 (ground) to trap to the mini-debugger. Connector J2, shown in Figure 2-3, provides a terminal port for the mini-debugger.

Figure 3–16 System Reset and Initialization



3.13.2 Flash ROM Code

The Alpha PCI 64-275 includes an industry-standard, 1MB flash ROM that is programmed to include the debug monitor code during manufacture. The user can develop code on a host system and program it into the ROM by loading it into the Alpha PCI 64-275 through the serial or optional Ethernet ports.

The monitor provides functions such as the following:

- File load
- Read and write memory and registers
- Memory image dump
- Transfer control to program
- Breakpoints

3.13.3 Operating Systems

The Alpha PCI 64-275 is designed to run the Microsoft Windows NT operating system.

System Address Mapping

This chapter describes the mapping of the 34-bit processor physical address space into memory and I/O space addresses. It also includes the translations of the processor-initiated address into a PCI address, and PCI-initiated addresses into physical memory addresses.

4.1 CPU Address Mapping to PCI Space

The 34-bit physical sysBus address space is composed of the following:

- Memory address space
- Local I/O space, for registers residing on the sysBus (that is, registers in the 21071-CA and 21071-DA chips)
- PCI space

Note

The sysBus represents the 21064A pin bus as well as control signals between the 21071-CA and 21071-DA chips.

The PCI defines three physical address spaces: PCI memory space (for memory residing on the PCI), PCI I/O space, and PCI configuration space. In addition to these address spaces, the sysBus I/O space is also used to generate PCI interrupt acknowledge cycles and PCI special cycles. Figure 4–1 shows the address space. Table 4–1 provides a summary description of the spaces.

Figure 4–1 sysBus Address Map

Cacheable Memory Space	0 0000 0000 0 FFFF FFFF
Noncacheable Memory Space	1 0000 0000 1 7FFF FFFF
21071-CA CSR Space	1 8000 0000 1 9FFF FFFF
21071-DA CSR Space	1 A000 0000 1 AFFF FFFF
PCI Interrupt Acknowledge Special Cycle Space	1 B000 0000 1 BFFF FFFF
PCI Sparse I/O Space	1 C000 0000 1 DFFF FFFF
PCI Configuration Space	1 E000 0000 1 FFFF FFFF
PCI Sparse Memory Space	2 0000 0000 2 7FFF FFFF
PCI Dense Memory Space	3 0000 0000 3 FFFF FFFF

LJ-03952.AI

Table 4–1 sysBus Address Space Description

sysAdr <33:32>	sysAdr <31:28>	Address Space	Description
00	xxxx	Cacheable memory space	<p>Accessed by the CPU instruction stream (Istream) or data stream (Dstream). Accessed by DMA.</p> <p>The 21071-DA does not respond to addresses in this space.</p>
01	0xxx	Noncacheable memory space	<p>Accessed by the CPU (Istream or Dstream). Accessed by DMA. Can be used for a frame buffer on the DRAM bus.</p> <p>The 21071-DA does not respond to addresses in this space.</p>
01	100x	21071-CA CSRs	<p>The 21071-CA responds to all addresses in this space. Dstream access only.</p> <p>The 21071-DA does not respond to addresses in this space.</p>
01	1010	21071-DA CSRs	<p>The 21071-DA responds to all addresses in this space. Dstream access only.</p>
01	1011	PCI interrupt acknowledge or PCI special cycle	<p>The 21071-CA expects the 21071-DA to respond to all addresses in this space.</p> <p>A read transaction causes a PCI interrupt acknowledge; a write transaction causes a special cycle. Dstream access only.</p>
01	110x	PCI sparse I/O space	<p>16MB of PCI space. The lower 256KB of this space must be used for addressing the PCI and ISA devices. The remainder of the space can be used for other devices. Dstream access only.</p>
01	111x	PCI configuration space	<p>A read or write transaction to this address space causes a configuration read or write cycle on the PCI. Dstream access only.</p>

(continued on next page)

Table 4–1 (Cont.) sysBus Address Space Description

sysAdr <33:32>	sysAdr <31:28>	Address Space	Description
01	xxxx	PCI sparse memory space	128MB addressable PCI space. The lower address bits are used to determine byte masks and transaction length information. The 4GB space is reduced to a 128MB sparse space. Use this space when byte or word granularity is required. Read or write length is no more than a quadword. Reading other than the requested data is harmful. Prefetching read data is prohibited. Dstream access only.
11	xxxx	PCI dense memory space	4GB of PCI space. Used for devices with access granularity greater than one longword. Read transactions do not have side effects; prefetching data from PCI devices is allowed. Typically used for data buffers. Dstream access only.

4.1.1 Cacheable Memory Space (0 0000 0000 to 0 FFFF FFFF)

The 21071-CA recognizes the 4GB of quadrant 0 (corresponding to **sysBus<33:32>** = 00) as cacheable memory space. The 21071-CA responds to all read and write accesses in this space. Some or all of main memory can be programmed to be in cacheable space.

4.1.2 Noncacheable Memory Space (1 0000 0000 to 1 7FFF FFFF)

The 21071-CA recognizes the lower 2GB of quadrant 1 (corresponding to **sysBus<33:32>** = 01) as noncacheable memory space. The L2 cache is bypassed by the 21071-CA on accesses to this space. Some or all of main memory can be programmed to be in this space. If a frame buffer is supported in system memory, it should be addressed in this space.

4.1.3 DECchip 21071-CA CSR Space (1 8000 0000 to 1 9FFF FFFF)

The DECchip 21071-CA responds to all CSR accesses in this space. Table 4–2 specifies the registers and associated register addresses. Appendix A contains the register descriptions.

Table 4–2 DECchip 21071-CA CSR Register Addresses

Address ₁₆	Register Name
1 8000 0000	General control register
1 8000 0020	Reserved
1 8000 0040	Error and diagnostic status register
1 8000 0060	Tag enable register
1 8000 0080	Error low address register
1 8000 00A0	Error high address register
1 8000 00C0	LDx_L low address register
1 8000 00E0	LDx_L high address register
1 8000 0200	Global timing register
1 8000 0220	Refresh timing register
1 8000 0240	Video frame pointer register
1 8000 0260	Presence detect low-data register
1 8000 0280	Presence detect high-data register
1 8000 0800	Bank 0 base address register
1 8000 0820	Bank 1 base address register
1 8000 0840	Bank 2 base address register
1 8000 0860	Bank 3 base address register
1 8000 0880	Bank 4 base address register
1 8000 08A0	Bank 5 base address register
1 8000 08C0	Bank 6 base address register
1 8000 08E0	Bank 7 base address register
1 8000 0900	Bank 8 base address register

(continued on next page)

Table 4–2 (Cont.) DECchip 21071-CA CSR Register Addresses

Address₁₆	Register Name
1 8000 0A00	Bank 0 configuration register
1 8000 0A20	Bank 1 configuration register
1 8000 0A40	Bank 2 configuration register
1 8000 0A60	Bank 3 configuration register
1 8000 0A80	Bank 4 configuration register
1 8000 0AA0	Bank 5 configuration register
1 8000 0AC0	Bank 6 configuration register
1 8000 0AE0	Bank 7 configuration register
1 8000 0B00	Bank 8 configuration register
1 8000 0C00	Bank 0 timing register A
1 8000 0C20	Bank 1 timing register A
1 8000 0C40	Bank 2 timing register A
1 8000 0C60	Bank 3 timing register A
1 8000 0C80	Bank 4 timing register A
1 8000 0AA0	Bank 5 timing register A
1 8000 0CC0	Bank 6 timing register A
1 8000 0CE0	Bank 7 timing register A
1 8000 0D00	Bank 8 timing register A
1 8000 0E00	Bank 0 timing register B
1 8000 0E20	Bank 1 timing register B
1 8000 0E40	Bank 2 timing register B
1 8000 0E60	Bank 3 timing register B
1 8000 0E80	Bank 4 timing register B
1 8000 0EA0	Bank 5 timing register B
1 8000 0EC0	Bank 6 timing register B
1 8000 0EE0	Bank 7 timing register B
1 8000 0F00	Bank 8 timing register B

4.1.4 DECchip 21071-DA CSR Space (1 A000 0000 to 1 AFFF FFFF)

The DECchip 21071-DA responds to all accesses in this space. Table 4–3 specifies the registers and associated register addresses. Appendix A contains the register descriptions.

Table 4–3 DECchip 21071-DA CSR Register Addresses

Address ₁₆	Register Name
1 A000 0000	21071-DA control and status register (DCSR)
1 A000 0020	PCI error address register (PEAR)
1 A000 0040	sysBus error address register (SEAR)
1 A000 0060	Dummy register 1
1 A000 0080	Dummy register 2
1 A000 00A0	Dummy register 3
1 A000 00C0	Translated base 1 register
1 A000 00E0	Translated base 2 register
1 A000 0100	PCI base 1 register
1 A000 0120	PCI base 2 register
1 A000 0140	PCI mask 1 register
1 A000 0160	PCI mask 2 register
1 A000 0180	Host address extension register 0 (HAXR0)
1 A000 01A0	Host address extension register 1 (HAXR1)
1 A000 01C0	Host address extension register 2 (HAXR2)
1 A000 01E0	PCI master latency timer register
1 A000 0200	TLB tag 0 register
1 A000 0220	TLB tag 1 register
1 A000 0240	TLB tag 2 register
1 A000 0260	TLB tag 3 register
1 A000 0280	TLB tag 4 register
1 A000 02A0	TLB tag 5 register
1 A000 02C0	TLB tag 6 register
1 A000 02E0	TLB tag 7 register

(continued on next page)

Table 4–3 (Cont.) DECchip 21071-DA CSR Register Addresses

Address ₁₆	Register Name
1 A000 0300	TLB 0 data register
1 A000 0320	TLB 1 data register
1 A000 0340	TLB 2 data register
1 A000 0360	TLB 3 data register
1 A000 0380	TLB 4 data register
1 A000 03A0	TLB 5 data register
1 A000 03C0	TLB 6 data register
1 A000 03E0	TLB 7 data register
1 A000 0400	Translation buffer invalidate all register (TBIA)

4.1.5 PCI Interrupt Acknowledge/Special Cycle Space (1 B000 0000 to 1 BFFF FFFF)

A read access to this space causes an interrupt acknowledge cycle on the PCI. Bits **sysBus<6:3>** are used to generate the byte enables on the PCI as specified in Table 4–4. Bits **sysBus<26:7>** are in a don't care state during this transaction.

A write access to this space causes a special cycle on the PCI. The address and byte enables are in a don't care state during this transaction.

Note

Software must use an STL instruction to initiate these transactions. An STQ instruction will result in a 2-longword burst on the PCI, which is invalid.

4.1.6 PCI Sparse I/O Space (1 C000 0000 to 1 DFFF FFFF)

The PCI sparse I/O space is similar to the PCI sparse memory space. This 512MB sysBus address space maps to 16MB of PCI I/O address space. A read or write transaction to this space causes a PCI I/O read or PCI I/O write command respectively.

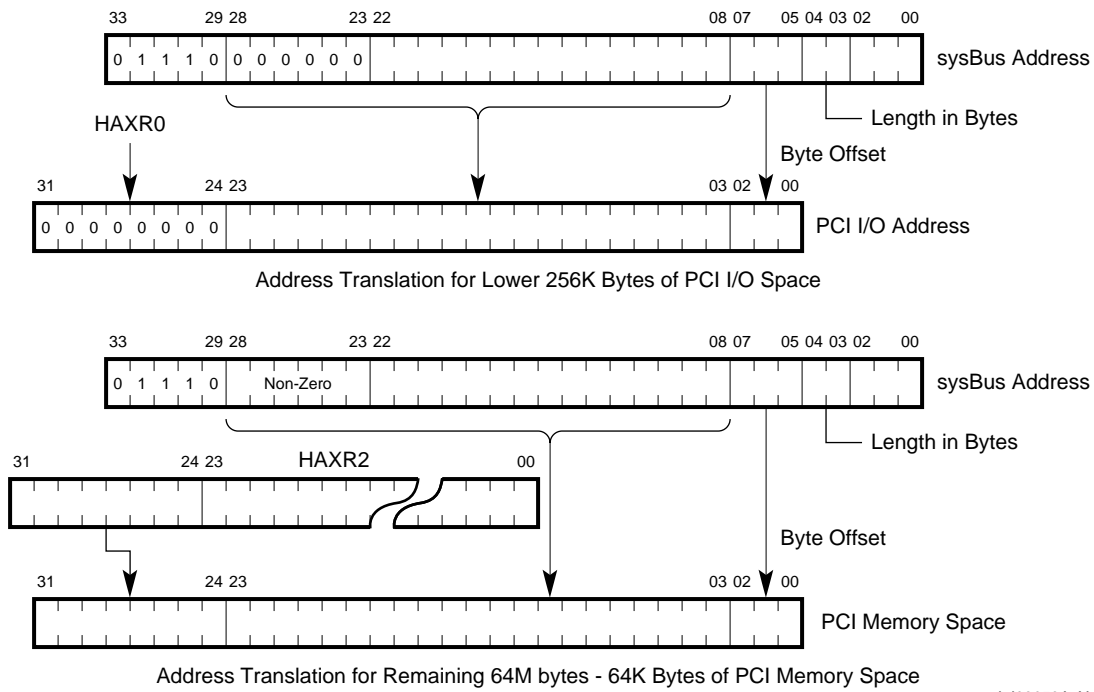
Bits **sysBus<33:29>** identify the various address spaces on the sysBus. Bits **sysBus<6:3>** generate the length of the PCI transaction in bytes, the byte enables, and **ad<2:0>** on the PCI (see Table 4-4).

Bits **sysBus<28:8>** correspond to the quadword PCI addresses and are sent out on **ad<23:3>** during the address phase on the PCI. Bits **ad<31:24>** are obtained from one of two host address extension registers (HAXR0 and HAXR2). The HAXR0 register (which is hardcoded as 0) is used for sysBus addresses between 1 C000 0000 and 1 C07F FFFF (that is, when **sysBus<28:23>** are 0).

The HAXR2 register maps sysBus addresses between 1 C080 0000 and 1 DFFF FFFF (that is, when **sysBus<28:23>** are nonzero anywhere in the PCI address space). The HAXR2 register is a CSR in the 21071-DA chip and is fully programmable. This allows ISA devices that require their I/O space to be in the lower 256KB to coexist with other devices that do not have that restriction. The lower 256KB of I/O space have fixed mapping (HAXR0 to 0), and the remaining I/O space (64MB minus 64KB) can be programmed anywhere in PCI space.

Figure 4-2 shows the sysBus-to-PCI I/O address translation. Table 4-4 shows how the byte enable bits and PCI **ad<2:0>** are generated from **sysBus<6:3>**.

Figure 4-2 PCI Sparse I/O Space Address Translation



LJ03953A.AI

Table 4–4 PCI Sparse I/O Space Byte Enable Generation

Length	CPU Address <6:5>	CPU Address <4:3>	PCI Byte Enable ¹	PCI ad<2:0>
Byte	00	00	1110	CPU address<7>, 00
	01	00	1101	CPU address<7>, 01
	10	00	1011	CPU address<7>, 10
	11	00	0111	CPU address<7>, 11
Word	00	01	1100	CPU address<7>, 00
	01	01	1001	CPU address<7>, 01
	10	01	0011	CPU address<7>, 10
	11	01	Invalid ²	—
Tribyte	00	10	1000	CPU address<7>, 00
	01	10	0001	CPU address<7>, 01
	10	10	Invalid ²	—
	11	10	Invalid ²	—
Longword	00	11	0000	CPU address<7>, 00
Longword	01	11	Invalid ²	—
Longword	10	11	Invalid ²	—
Quadword	11	11	0000	000

¹Byte enable set to 0 indicates that byte lane carries meaningful data.

²These combinations are architecturally invalid. If there is an access with this combination of address<6:3>, the 21071-DA responds to the transactions but the results are UNPREDICTABLE.

Caution

Quadword accesses to this PCI sparse I/O space causes a 2-longword burst on the PCI. PCI devices cannot support bursting in I/O space.

4.1.7 PCI Configuration Space (1 E000 0000 to 1 FFFF FFFF)

A read or write access to this space causes a configuration read or write cycle on the PCI. There are two classes of targets: devices on the primary PCI bus and devices on the secondary PCI buses that are accessed through PCI-to-PCI bridge chips.

During PCI configuration cycles, the meanings of the address fields vary depending on the intended target of the configuration cycle. Bits **ad<1:0>**, which are supplied by the HAXR2 register, indicate the target bus:

Bits **ad<1:0>** equal to 00 indicate the primary PCI bus.

Bits **ad<1:0>** equal to 01 indicate a secondary PCI bus.

Table 4–5 defines the various fields of PCI **ad<31:0>** during the address phase of a configuration read or write cycle.

Table 4–5 PCI Configuration Space Definition

Target Bus	ad Bits	Definition
Primary PCI Bus		
	<31:11>	Decoded from sysAdr<20:16> according to Table 4–6. Can be used for IDSEL# or don't care states. Typically, the IDSEL# pin of each device is connected to a unique ad line.
	<10:8>	Function select (1 of 8) from sysAdr<15:13>
	<7:2>	Register select from sysAdr<12:7>
	<1:0>	00 from HAXR2<1:0>
Secondary PCI Buses (Must pass through a PCI-to-PCI bridge)		
	<31:24>	Forced to 0 by the 21071-DA chip
	<23:16>	Secondary bus number from sysAdr<28:21>
	<15:11>	Device number from sysAdr<20:16>
	<10:8>	Function select (1 of 8) from sysAdr<15:13>
	<7:2>	Register select from sysAdr<12:7>
	<1:0>	01 from HAXR2<1:0>

Table 4–6 translates **sysAdr<20:16>** to PCI primary bus addresses.

Table 4–6 PCI Address Decoding for Primary Bus Configuration Accesses

Device Number (sysAdr<20:16>)	PCI ad<31:11>
00000	0000 0000 0000 0000 0000 1
00001	0000 0000 0000 0000 0001 0
00010	0000 0000 0000 0000 0010 0
00011	0000 0000 0000 0000 0100 0
00100	0000 0000 0000 0000 1000 0
00101	0000 0000 0000 0001 0000 0
00110	0000 0000 0000 0010 0000 0
00111	0000 0000 0000 0100 0000 0
01000	0000 0000 0000 1000 0000 0
01001	0000 0000 0001 0000 0000 0
01010	0000 0000 0010 0000 0000 0
01011	0000 0000 0100 0000 0000 0
01100	0000 0000 1000 0000 0000 0
01101	0000 0001 0000 0000 0000 0
01110	0000 0010 0000 0000 0000 0
01111	0000 0100 0000 0000 0000 0
10000	0000 1000 0000 0000 0000 0
10001	0001 0000 0000 0000 0000 0
10010	0010 0000 0000 0000 0000 0
10011	0100 0000 0000 0000 0000 0
10100	1000 0000 0000 0000 0000 0
10101 to 11111	0000 0000 0000 0000 0000 0

4.1.7.1 PCI Configuration Cycles to Primary Bus Targets

Primary PCI bus devices are selected during a PCI configuration cycle if their IDSEL# pin is asserted, if the PCI bus command indicates a configuration read or write transaction, and if **ad<1:0>** are 00. Bits **ad<7:2>**, which are taken from **sysAdr<12:7>**, select a longword register in the device's 256-byte configuration address space. Configuration accesses can use byte masks, which may be derived by following the method shown in Table 4-4.

Peripherals that integrate multiple functional units (for example, SCSI, Ethernet, and so on) can provide configuration spaces for each function. Bits **ad<10:8>**, which are taken from **sysAdr<15:13>**, can be decoded by the peripheral to select one of eight functional units.

Bits <31:11> are used to generate the IDSEL signals. Typically, the IDSEL# pin of each PCI peripheral is connected to a unique address line. Bits **ad<31:11>**, are decoded from **sysAdr<20:16>** according to Table 4-6, ensuring that only one bit of **ad<31:11>** is asserted for any given configuration space transaction on the primary PCI bus. Bits **sysAdr<28:21>** are ignored.

4.1.7.2 PCI Configuration Cycles to Secondary Bus Targets

If the PCI cycle is a configuration read or write cycle but **ad<1:0>** are 01, a device on a secondary PCI bus is being selected across a PCI-to-PCI bridge. This cycle will be accepted by a PCI-to-PCI bridge for propagation to its secondary PCI bus. During this cycle, **sysAdr<28:7>** generate PCI **ad<23:2>**, which has four fields, as listed here:

- **ad<23:16>**, taken from **sysAdr<28:21>**, select a unique bus number.
- **ad<15:11>**, taken from **sysAdr<20:16>**, select a device on the PCI (typically decoded by the target bridge to generate IDSEL# signals).
- **ad<10:8>**, taken from **sysAdr<15:13>**, select one of eight functional units per device.
- **ad<7:2>**, taken from **sysAdr<12:7>**, select a longword in the device's configuration register space.

Each PCI-to-PCI bridge device can be configured using PCI configuration cycles on its primary PCI interface. Configuration parameters in the PCI-to-PCI bridge will identify the bus number for its secondary PCI interface and a range of bus numbers that may exist hierarchically behind it.

If the bus number of the configuration cycle matches the bus number of the bridge chip secondary PCI interface, it will intercept the configuration cycle, decode it, and generate a PCI configuration cycle with **ad<1:0>** equal to 01 on its secondary PCI interface. If the bus number is within the range of bus numbers that may exist hierarchically behind its secondary PCI interface, the PCI configuration cycle passes, unmodified (leaving **ad<1:0>** = 01), through the bridge. The configuration cycle will be intercepted and decoded by a downstream bridge.

4.1.8 PCI Sparse Memory Space (2 0000 0000 to 2 FFFF FFFF)

Access to PCI sparse memory space can have byte, word, tribyte, longword, or quadword granularity. The Alpha architecture does not provide byte, word, or tribyte granularity, which the PCI requires. To provide this granularity, the byte enable and byte length information is encoded in the lower address bits of this space (**ad<7:3>**).

Bits **sysBus<31:8>** generate quadword addresses on the PCI, resulting in a sparse 4GB space that maps to 128MB of PCI address space. An access to this space causes a memory read or write access on the PCI.

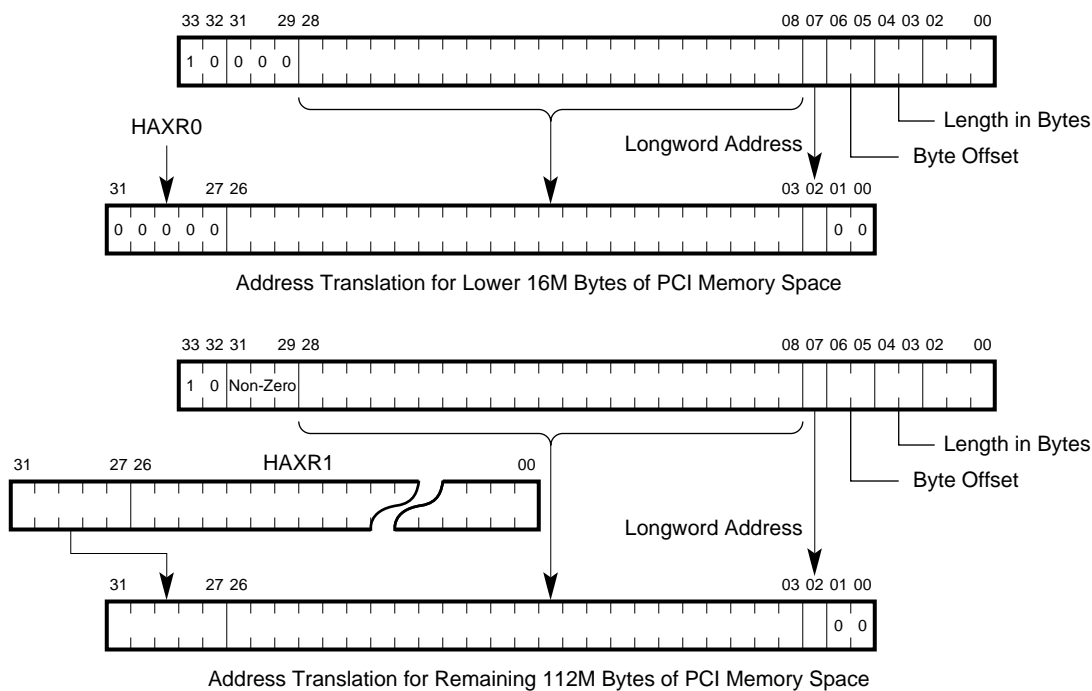
Bits **sysBus<33:32>** identify the various address spaces on the sysBus. Bits **sysBus<7:3>** generate the length of the PCI transaction in bytes, the byte enables, and **ad<2:0>** (see Table 4–7). Bits **sysBus<31:8>** correspond to the quadword PCI addresses and are sent out on **ad<26:3>** during the address phase on the PCI.

Bits **ad<31:27>** are obtained from one of two host address extension registers (HAXR0 and HAXR1). HAXR0 (which is hardcoded as 0) is used for sysBus addresses from 2 0000 0000 to 2 1FFF FFFF (that is, when **sysBus<31:29>** is 0). The HAXR1 register maps sysBus addresses from 2 2000 0000 to 2 FFFF FFFF (that is, when **sysBus<31:29>** is nonzero anywhere in the PCI address space).

HAXR1 is a CSR in the 21071-DA and is fully programmable. This allows ISA devices that require memory to be mapped in the lower 16MB to coexist with other devices that do not have that restriction. The lower 16MB have a fixed mapping (HAXR0) to 0, and the remaining 112MB can be programmed anywhere in PCI space.

Figure 4–3 shows the sysBus to PCI memory address translation. Table 4–7 shows the generation of the byte enables and PCI address **ad<2:0>** from **sysBus<6:3>**.

Figure 4–3 PCI Memory Space Address Translation



LJ03938A.AI

Table 4–7 shows the generation of the byte enables and PCI address **ad<2:0>** from **sysBus<6:3>**.

Bits **sysBus<33:5>** are directly available from the CPU. Bits **sysBus<4:3>** are derived from the longword masks (**cpucwmask<7:0>**). On read transactions, the CPU sends out **sysBus<4:3>** on **cpucwmask<1:0>**.

Table 4–7 PCI Sparse Memory Space Byte Enable Generation

Length	CPU Address<6:5>	CPU Address<4:3>	PCI Byte Enable ¹	PCI ad<2:0> ²
Byte	00	00	1110	CPU address<7>, 00
	01	00	1101	CPU address<7>, 00
	10	00	1011	CPU address<7>, 00
	11	00	0111	CPU address<7>, 00
Word	00	01	1100	CPU address<7>, 00
	01	01	1001	CPU address<7>, 00
	10	01	0011	CPU address<7>, 00
	11	01	Invalid ³	—
Tribyte	00	10	1000	CPU address<7>, 00
	01	10	0001	CPU address<7>, 00
	10	10	Invalid ³	—
	11	10	Invalid ³	—
Longword	00	11	0000	CPU address<7>, 00
Longword	01	11	Invalid ³	—
Longword	10	11	Invalid ³	—
Quadword	11	11	0000	000

¹Byte enable set to 0 indicates that byte lane carries meaningful data.

²In PCI sparse memory space, PCI **ad<1:0>** are always 00.

³These combinations are architecturally invalid. If there is an access with this combination of address<6:3>, the 21071-DA will respond to the transactions but the results are UNPREDICTABLE.

On write transactions, the relationship between **cpucwmask<7:0>** and **sysBus<4:3>** is as follows:

If **cpucwmask<1:0>** is nonzero, **sysBus<4:3>** is 00.

If **cpucwmask<3:2>** is nonzero, **sysBus<4:3>** is 01.

If **cpucwmask<5:4>** is nonzero, **sysBus<4:3>** is 10.

If **cpucwmask<7:6>** is nonzero, **sysBus<4:3>** is 11.

Accesses in this space are no more than a quadword. Software must ensure that the processor does not merge consecutive write transactions in its write buffers by using memory barriers after each write transaction. Architecturally, if a byte, word, tribyte, or longword is written on the PCI, an STL instruction must be executed to the lower longword in the corresponding quadword address. An STQ or STL instruction to the upper longword is not allowed.

One bit pair of **cpucwmask**<1:0>, <3:2>, <5:4>, and <7:6> must have a value of 01 (binary). The other fields must be 00. The location of the 01 field indicates whether the data reference is byte, word, tribyte, or longword (respectively).

Similarly, if a quadword is written to the PCI, software must execute an STQ instruction to the corresponding address. The only legal value on **cpucwmask**<7:6> in sparse space is 11000000.

If a byte, word, tribyte, or longword is read from the PCI, an LDL instruction must be executed to the lower longword in the corresponding quadword address. An LDL instruction to the upper longword or LDQ instruction returns the wrong data. If a quadword is read from the PCI, software must use an LDQ instruction. An LDL instruction returns wrong data.

4.1.9 PCI Dense Memory Space (3 0000 0000 to 3 FFFF FFFF)

PCI dense memory space is typically used for data buffers on the PCI and has the following characteristics:

- There is a one-to-one mapping between CPU addresses and PCI addresses. A longword address from the CPU maps to a longword on the PCI (thus the name *dense space* as opposed to PCI sparse memory space).
- Byte or word accesses are not allowed in this space. Minimum access granularity is a longword. The maximum transfer length implemented by the 21072 chipset is a cache line (32 bytes) on write transactions, and a quadword on read transactions.
- Read prefetching is allowed in this space; additional read transactions have no side effects. The 21064A does not specify a longword address on read transactions; it only specifies a quadword address. Therefore, read transactions in this space are always performed as a quadword read transaction with a burst length of two on the PCI.
- Write transactions to addresses in this space can be buffered in the 21064A. The 21072 chipset supports a maximum burst length of 8 on the PCI corresponding to a cache line of data.

The address generation in dense space is as follows:

- Bits **sysBus<31:5>** are sent out on **ad<31:5>**.
- On read transactions, **ad<4:3>** is generated from **cpucwmask<1:0>**; **ad<2>** is always 0.
- On write transactions, **ad<4:2>** is generated from **cpucwmask<7:0>**. If the lower longword is to be written, **ad<2>** is 0; if the lower longword is masked out and the upper longword is to be written, **ad<2>** is 1. The number of longwords written on the PCI is directly obtained from **cpucwmask<7:0>**. Any combination of **cpucwmask<7:0>** is allowed by the 21072 chipset.

Note

If the cache line written by the processor has holes, that is, if some of the longwords are masked out, the corresponding transfer is still performed on the PCI with disabled byte enables. Downstream bridges must be able to deal with disabled byte enables on the PCI during write transactions.

4.2 PCI-to-Physical Memory Addressing

Incoming 32-bit memory addresses are mapped to the 34-bit physical memory addresses. The 21071-DA allows two regions in PCI memory space to be mapped to system memory with two programmable address windows. The mapping from the PCI address to the physical address can be direct (physical mapping with an extension register) or scatter-gather mapped (virtual). These two address windows are referred to as the PCI target windows.

Each window has three registers associated with it: PCI base register, PCI mask register, and the translated base register. Appendix A contains the register descriptions.

The PCI mask register provides a mask corresponding to **ad<31:20>** of an incoming PCI address. The size of each window can be programmed from 1MB to 4GB (in powers of 2) by masking bits of the incoming PCI address, using the PCI mask register as specified in Table 4–8.

Table 4–8 PCI Target Window Enables

PCI_MASK<31:20> ¹	Window Size	Value of n^2
0000 0000 0000	1MB	20
0000 0000 0001	2MB	21
0000 0000 0011	4MB	22
0000 0000 0111	8MB	23
0000 0000 1111	16MB	24
0000 0001 1111	32MB	25
0000 0011 1111	64MB	26
0000 0111 1111	128MB	27
0000 1111 1111	256MB	28
0001 1111 1111	512MB	29
0011 1111 1111	1GB	30
0111 1111 1111	2GB	31
1111 1111 1111	4GB ³	32

¹Combinations of bits not shown in **PCI_MASK<31:20>** are not supported.

²Depending on the target window size, only the incoming address bits <31: n > are compared with bits <31: n > of the PCI base registers as shown in Figure 4–4. If $n = 20$ to 32, no comparison is performed; n is also used in Figure 4–6.

³When this combination is chosen, the WENB bit in the other PCI base register must be cleared; otherwise, the two windows will overlap.

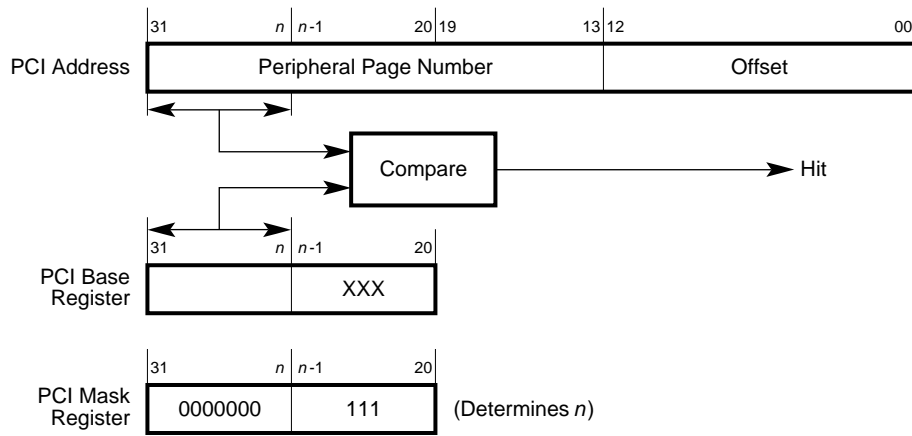
Based on the value of the PCI mask register, the unmasked bits of the incoming PCI address are compared with the corresponding bit of each window's PCI base register. If the base registers and the incoming PCI address match, the incoming PCI address has hit that target window; otherwise, it missed that window. A window enable bit (WENB) is provided in the PCI base register of each window to allow them to be independently enabled and disabled.

The PCI target windows must be programmed such that the PCI address ranges do not overlap. The compare scheme between the incoming PCI address and the PCI base register (together with the PCI mask register) is shown in Figure 4–4.

Note

The window base addresses must be on naturally aligned address boundaries, depending on the size of the window.

Figure 4-4 PCI Target Window Compare Scheme



LJ-03955.AI

When an address match occurs with a PCI target window, the 21071-DA translates the 32-bit PCI address **ad<31:0>** to a 34-bit processor byte address (actually a 29-bit hexword address). The translated address is generated in one of two ways as determined by the scatter-gather enable (SGEN) bit of the PCI base register of the associated window.

If SGEN is cleared, the DMA address is direct mapped. The translated address is generated by concatenating bits from the matching window translated base register with bits from the incoming PCI address. The PCI mask register determines which bits of the translated base register and PCI address are used to generate the translated address as shown in Table 4–9.

Note that the unused bits of the translated base register must be cleared for correct operation. Because system memory is located in the lower half of the CPU address space, **sysBus<33>** is always zero. Bits **sysBus<32:5>** are obtained from the translated base register.

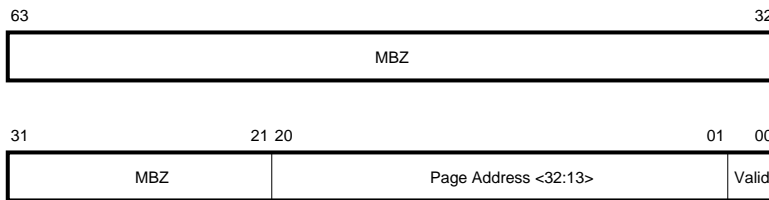
Table 4–9 PCI Target Address Translation—Direct Mapped

PCI_MASK<31:20>	Translated Base <32:5>
0000 0000 0000	T_BASE<32:20>:PCI ad<19:5>
0000 0000 0001	T_BASE<32:21>:PCI ad<20:5>
0000 0000 0011	T_BASE<32:22>:PCI ad<21:5>
0000 0000 0111	T_BASE<32:23>:PCI ad<22:5>
0000 0000 1111	T_BASE<32:24>:PCI ad<23:5>
0000 0001 1111	T_BASE<32:25>:PCI ad<24:5>
0000 0011 1111	T_BASE<32:26>:PCI ad<25:5>
0000 0111 1111	T_BASE<32:27>:PCI ad<26:5>
0000 1111 1111	T_BASE<32:28>:PCI ad<27:5>
0001 1111 1111	T_BASE<32:29>:PCI ad<28:5>
0011 1111 1111	T_BASE<32:30>:PCI ad<29:5>
0111 1111 1111	T_BASE<32:31>:PCI ad<30:5>
1111 1111 1111	T_BASE<32>:PCI ad<31:5>

If the SGEN bit is set, the translated address is generated by a table lookup. The incoming PCI address indexes a table stored in system memory. The table is referred to as a scatter-gather (SG) map. The translated base register specifies the starting address of the SG map. Bits of the incoming PCI address are used as an offset from the base of the map. The map entry provides the physical address of the page.

Each SG map entry maps an 8KB page of PCI address space into an 8KB page of processor address space. Each SG map entry is a quadword. Each entry has a valid bit in position 0. Address bit **ad<13>** is at bit position 1 of the map entry. Because the 21072 implements only valid memory addresses up to 6GB, bits **ad<63:21>** of the SG map entry must be programmed to 0. Bits **ad<21:1>** of the SG entry generate the physical page address. This is appended to bits **ad<12:5>** of the incoming PCI address to generate the memory address placed on the sysBus. Figure 4–5 shows the SG map entry.

Figure 4–5 SG Map Page Table Entry in Memory



LJ03956A.AI

The size of the SG map table is determined by the size of the PCI target window as defined by the PCI mask register (see Table 4–10). Because the SG map is located in system memory, **sysBus<33>** is always zero. Bits **sysBus<32:2>** are obtained from the translated base register and the PCI address.

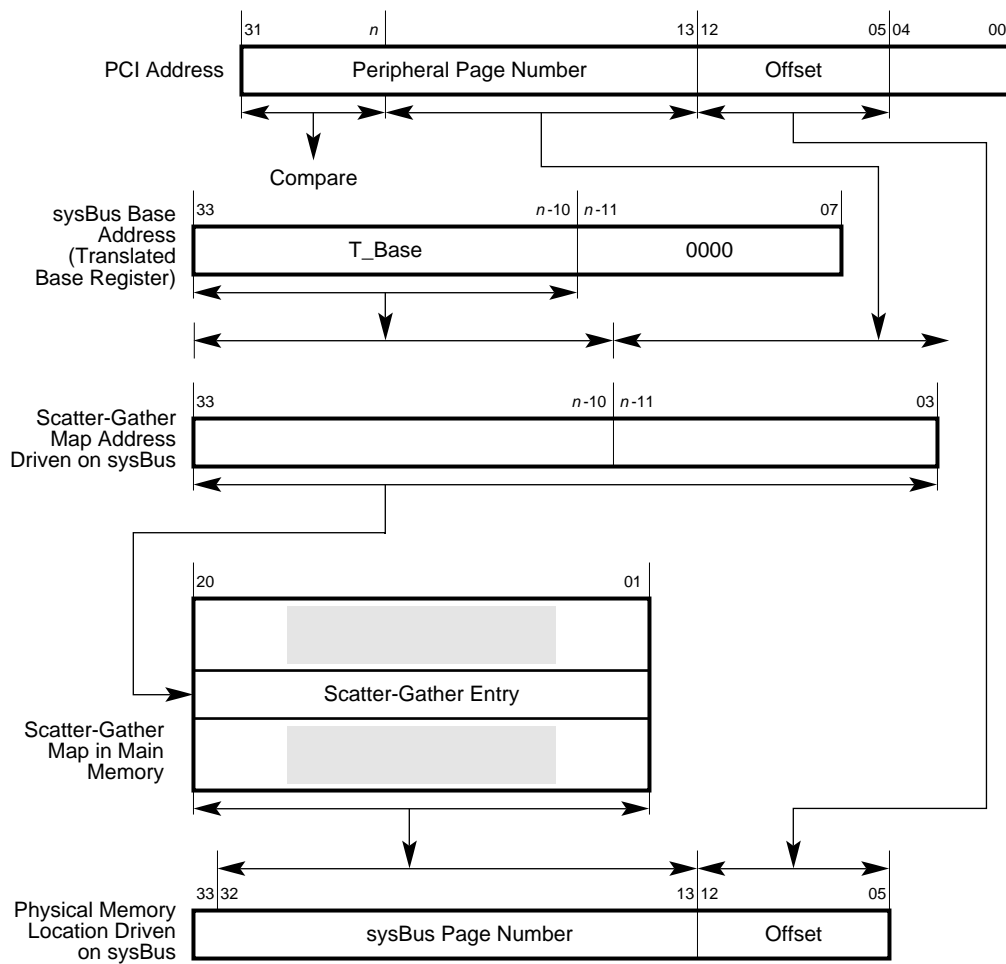
Table 4–10 Scatter-Gather Map Address

PCI_MASK<31:20>	SG Map Table Size	SG Map Address<32:3>
0000 0000 0000	1KB	T_BASE<32:10>:PCI ad <19:13>
0000 0000 0001	2KB	T_BASE<32:11>:PCI ad <20:13>
0000 0000 0011	4KB	T_BASE<32:12>:PCI ad <21:13>
0000 0000 0111	8KB	T_BASE<32:13>:PCI ad <22:13>
0000 0000 1111	16KB	T_BASE<32:14>:PCI ad <23:13>
0000 0001 1111	32KB	T_BASE<32:15>:PCI ad <24:13>
0000 0011 1111	64KB	T_BASE<32:16>:PCI ad <25:13>
0000 0111 1111	128KB	T_BASE<32:17>:PCI ad <26:13>
0000 1111 1111	256KB	T_BASE<32:18>:PCI ad <27:13>
0001 1111 1111	512KB	T_BASE<32:19>:PCI ad <28:13>
0011 1111 1111	1MB	T_BASE<32:20>:PCI ad <29:13>
0111 1111 1111	2MB	T_BASE<32:21>:PCI ad <30:13>
1111 1111 1111	4MB	T_BASE<32:22>:PCI ad <31:13>

Figure 4–6 shows the entire translation process from the PCI address to the physical address on a window implementing SG mapping. The following list describes the translation operation:

1. Bits **ad**<12:5> of the PCI address directly generate the page offset.
2. The relevant bits of the PCI address (as specified by the window mask register, depending on the size of the window) generate the offset into the SG map.
3. The relevant bits of the translated base register indicate the base address of the SG map.
4. The map base is appended to the map offset to generate the address of the corresponding SG entry.
5. Bits <20:1> of the map are used to generate the physical page address, which is appended to the page offset to generate the PCI address.
6. Bit <0> is the valid bit for the page table entry.

Figure 4-6 SG Map Translation of PCI to SysBus Address



LJ03957A.AI

Board Requirements and Parameters

This chapter describes the Alpha PCI 64-275 power and environmental requirements and physical board parameters.

5.1 Power Requirements

The Alpha PCI 64-275 derives its dc power from a user-supplied, industry-standard PC power supply. The board has a total power dissipation of 96.2 W, excluding PCI and ISA devices. Table 5-1 lists the power requirements of each dc supply voltage.

The power supply must supply signal **p_dcok** to the board reset logic.

Table 5-1 Power Supply dc Current Requirements for Motherboard (275 MHz) Without I/O

Voltage	Current
+5 Vdc	10 A (maximum)
+3.3 Vdc	10 A (maximum)
-5 Vdc	0 A
+12 Vdc	1 A (maximum)
-12 Vdc	0.1 A (maximum)

These values do not include power requirements for peripherals such as disks and tapes. You must increase the power supply capacity to meet the requirements of any peripherals you add.

Caution: Fan Sensor Required

The cooling fan supplied with the Alpha PCI 64-275 has a built-in sensor, connected to J14, that drives a signal low while the fan spins.

If the fan stops, the loss of the sensor signal puts the Alpha PCI 64-275 into a low power standby mode. This protects the Alpha PCI 64-275 under fan-failure conditions.

5.2 Environmental Characteristics

The Alpha PCI 64-275 board environmental characteristics are:

- Operating temperature range of 10°C to 40°C (50°F to 104°F)
- Storage temperature range of -55°C to 125°C (-67°F to 257°F)

5.3 Physical Board Parameters

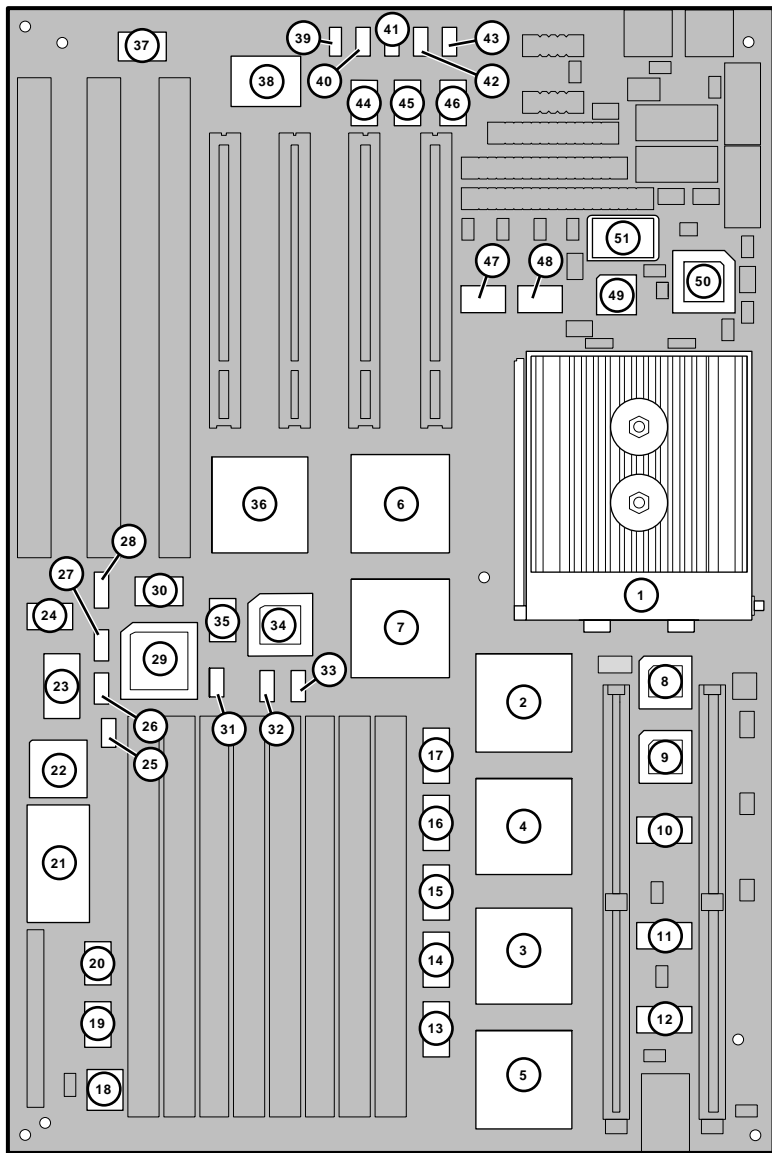
The Alpha PCI 64-275 board consists of a 6-layer printed-wiring board. The board is populated with integrated circuit packages together with supporting active and passive components. The Alpha PCI 64-275 is a baby-AT-size board with the following dimensions:

- Width: 22.1 cm (8.7 in)
- Length: 33.0 cm (13.0 in)

The board can be used in enclosures that have adequate clearance for the 21064A heat sink. All ISA and PCI expansion slots are usable in standard desktop or deskside enclosures.

Figure 5-1 shows the board and component outlines and identifies key components. The components are described in Table 5-2. Refer to Chapter 2 for jumper and connector locations.

Figure 5-1 Board Component Layout



LJ-04460.AI5

Table 5–2 Board Component Descriptions

Number	Device	Component Description
1	U36	Alpha 21064A–275 microprocessor—431 PGA, 275 MHz
2	U24	DECchip 21071–BA0, 208-pin PQFP, ASIC
3	U8	DECchip 21071–BA1, 208-pin PQFP, ASIC
4	U13	DECchip 21071–BA2, 208-pin PQFP, ASIC
5	U2	DECchip 21071–BA3, 208-pin PQFP, ASIC
6	U35	DECchip 21071–DA, 208-pin PQFP, ASIC
7	U31	DECchip 21071–CA, 208-pin PQFP, ASIC
8, 9	U25, 17	PALCE16V8–5, 5-ns, 125-mA, 20-pin PLCC
10, 11, 12	U14, U9, U5	74FCT162244ETPV—48 SSOP
13, 14, 15, 16, 17	U4, U7, U11, U12, U16	74ABT162244—48-pin SSOP, 16-bit buffer/driver
18	U1	64K × 1 CMOS OTP serial ROM (initialization code)
19, 20	U3, U6	74F244 buffer/line driver
21	U10	Dallas Semiconductor DS1287—24-pin DIP, real-time clock and 50-byte RAM with crystal
22	U15	Intel N8242PC/PHOENIX/1991 mouse and keyboard controller, 44-pin PLCC
23	U19	E28F008SA–120, 40-pin TSOP, 1MX8 CMOS flash ROM, 120 ns
24	U28	74F245 transceiver
25	U18	74LS05 inverter gate
26	U20	74F14 trigger, SOIC
27	U26	74F02D NOR gate
28	U32	74F257 data selector/multiplexer
29	U27	PLD, MACH210–20, 20-ns, 180-mA, 44-pin PLCC, interrupt controller
30	U33	14.3-MHz crystal oscillator, PCI-to-ISA bridge (SIO) oscillator
31	U21	74F04 hex inverter

(continued on next page)

Table 5–2 (Cont.) Board Component Descriptions

Number	Device	Component Description
32, 33	U22, U23	74F08 AND gate
34	U30	PALCE22V10H–25JC, 28-pin PLCC, 25 ns
35	U29	74ACT244
36	U34	S82378ZB—208-pin PQFP, PCI-to-ISA bridge chip
37	U47	24-MHz crystal oscillator
38	U43	PC87312VF combination diskette controller chip—100-pin PQFP
39, 41, 43	U48, U50, U52	SN75189 receiver
40, 42	U49, U51	SN75188 driver
44, 45	U44, U45	74F245 transceiver
46	U46	74F244 buffer/line driver
47, 48	U37, U38	IDC FCT805CT—20-pin SOIC
49	U39	AMCC S4402 PLL—28-pin PLCC
50	U40	TriQuint TQ2061—28-pin PLCC, PLL 500-MHz to 700-MHz output
51	U41	27.50-MHz crystal oscillator

A

System Register Descriptions

This appendix describes the control and status registers (CSRs) of the DECchip 21071-CA (Sections A.1 and A.1.8) and DECchip 21071-DA (Section A.2).

A.1 DECchip 21071-CA CSR Descriptions

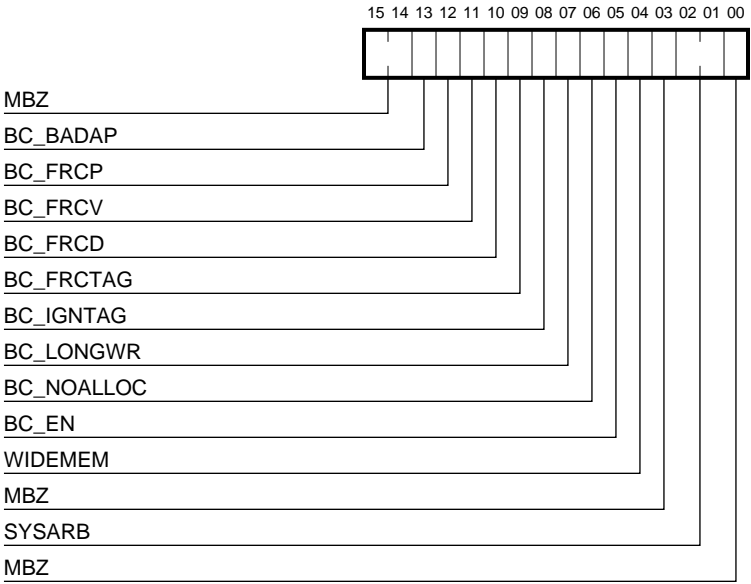
The CSRs are 16 bits wide and are addressed on cache-line boundaries. Write transactions to read-only registers could result in UNPREDICTABLE behavior; read transactions are nondestructive. Only zeros should be written to unspecified bits within a CSR. Only bits <15:0> of each register are defined. Other bits are undefined. CSRs are initialized as shown in the type field of register descriptions.

Register addresses are specified in Table 4–2.

A.1.1 General Control Register

The general control register is shown in Figure A–1 and is defined in Table A–1. The register contains status information that affects the major operational modes of the 21071-CA.

Figure A-1 General Control Register



LJ-04178.AI

Table A-1 General Control Register

Field	Name	Type	Description
<15:14>	Reserved	MBZ	—
<13>	BC_BADAP	RW, 0 ¹	L2 cache force bad address parity. When set, the tag address parity will be loaded as bad (independent of the BC_FRCTAG bit).
<12>	BC_FRCP	RW, 0	L2 cache force parity. When set, the parity bit will be set on the next cache fill.
<11>	BC_FRCV	RW, 0	L2 cache force valid. When set, the valid bit will be set on the next cache fill.
<10>	BC_FRCD	RW, 0	L2 cache force dirty. When set, the dirty bit will be set on the next cache fill.

¹Register field content after reset

(continued on next page)

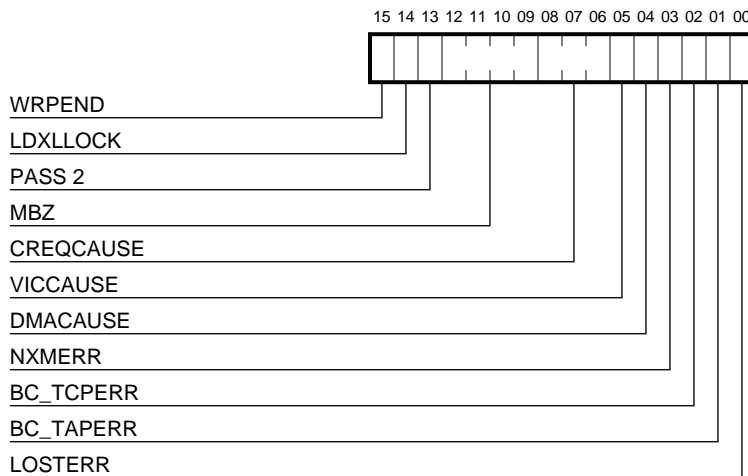
Table A–1 (Cont.) General Control Register

Field	Name	Type	Description								
<9>	BC_FRCTAG	RW, 0	L2 cache force tag. When set, the LE cache will be probed for victims, and the line will be invalidated using the values in the BC_FRCD, BC_FRCV, and BC_FRCP fields. CSRs will be used as the tag controls. Although the line is invalidated (assuming BC_FRCV is reset), the data is loaded into the cache, and will be returned to the CPU as cacheable. Used for diagnostic testing of the cache RAM and for flushing the cache by setting this bit, clearing BC_FRCV, and cycling through the address range present in the cache.								
<8>	BC_IGNTAG	RW, 0	L2 cache ignore tag. When set, L2 cache probes will act as if the valid bit was invalid. All tag results will be ignored (and any victims will be lost). Tag and address parity will be ignored. This field may be used to fill the cache with valid data.								
<7>	BC_LONGWR	RW, 0	L2 cache long write transactions. When set, two sysBus cycles are required to write to the cache data RAMs.								
<6>	BC_NOALLOC	RW, 0	L2 cache no allocate mode. When set, CPU write transactions to cacheable memory space will not be allocated into the cache.								
<5>	BC_EN	RW, 0	L2 cache enable. When clear, the L2 cache is disabled and the cache state machine will not probe the cache.								
<4>	WIDEMEM	RO	Wide memory size. Reads the status of the widemem input pin. Returns 1 for the 128-bit memory interface.								
<3>	Reserved	MBZ	—								
<2:1>	SYSARB	RW, 0	DMA arbitration mode. Determines arbitration scheme for sysBus transactions.								
			<table border="1"> <thead> <tr> <th>Value</th> <th>Meaning</th> </tr> </thead> <tbody> <tr> <td>0X</td> <td>CPU priority</td> </tr> <tr> <td>10</td> <td>DMA priority</td> </tr> <tr> <td>11</td> <td>DMA strong priority</td> </tr> </tbody> </table>	Value	Meaning	0X	CPU priority	10	DMA priority	11	DMA strong priority
Value	Meaning										
0X	CPU priority										
10	DMA priority										
11	DMA strong priority										
<0>	Reserved	MBZ	—								

A.1.2 Error and Diagnostic Status Register

The error and diagnostic register is shown in Figure A–2 and is defined in Table A–2. The register contains read-only status information for diagnostics and error analysis. The occurrence of an error sets one or more error bits (BC_TAPERR, BC_TCPERR, NXMERR) and locks the address of the error. After the address is locked, any additional error will set LOSTERR and will not affect the address or other error bits (BC_TAPERR, BC_TCPERR, NXMERR). Clearing all of the error bits (not the LOSTERR bit) unlocks the address.

Figure A–2 Error and Diagnostic Status Register



LJ-04179.AI

Table A–2 Error and Diagnostic Status Register

Field	Name	Type	Description
<15>	WRPEND	RO, O	Write pending. When set, indicates that valid write data is stored in the write buffer.

(continued on next page)

Table A–2 (Cont.) Error and Diagnostic Status Register

Field	Name	Type	Description
<14>	LDXLOCK	—	LD _X L locked. When set, indicates that the lock bit for LD _X L is set and that the next ST _X C may succeed. Writing to any CSR or I/O space location clears this lock bit.
<13>	PASS 2	RO	Chip version reads low on pass 1 and high on pass 2.
<12:9>	Reserved	MBZ	—
<8:6>	CREQCAUSE	RO	Cycle request that caused error. Indicates the DMA or CPU cycle request type that caused the error. Contains a copy of either the cpucreq or iocmd signal lines, depending on DMACAUSE<4> . Locked with the error address. Only valid when an error is indicated on BC_TAPERR, BC_TCPERR, or MEMERR.
<5>	VICCAUSE	RO	Victim write caused error. When set, indicates that an NXM error was caused by a victim write transaction. Undefined for other types of errors. Locked with the error address. Valid only when an error is indicated on BC_TAPERR, BC_TCPERR, or MEMERR.
<4>	DMACAUSE	RO	DMA transaction caused error. When set, indicates that the BC_TAPERR, BC_TCPERR, or NXMERR was caused by a DMA transaction. Locked with the error address. Valid only when an error is indicated on BC_TAPERR, BC_TCPERR, or MEMERR.
<3>	NXMERR	RW1C, 0	Nonexistent memory error. When set, indicates that a read or write transaction occurred to an invalid address that does not map to any memory bank, CSR, or I/O quadrant. Set only when address is unlocked.
<2>	BC_TCPERR	RW1C, 0	L2 cache tag control parity. When set, indicates that a tag probe encountered bad parity in the tag control RAM. Set only when address is unlocked.
<1>	BC_TAPERR	RW1C, 0	L2 cache tag address parity. When set, indicates that a tag probe encountered bad parity in the tag address RAM. Set only when address is unlocked.

(continued on next page)

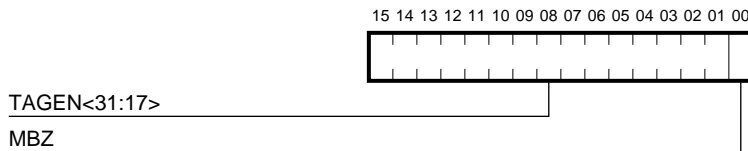
Table A-2 (Cont.) Error and Diagnostic Status Register

Field	Name	Type	Description
<0>	LOSTERR	RW1C, 0	Lost error, multiple errors. When set, indicates that additional errors occurred after an error address was locked. No address or cause information is latched for the error.

A.1.3 Tag Enable Register

The tag enable register, shown in Figure A-3, indicates which bits of the cache tag are to be compared with **sysadr**<33:5>. If a bit is 1, the corresponding bits in **sysadr**<33:5> and **systag**<31:17> are compared. If a bit is 0, there is no comparison for those bits, and the **systag** bit is assumed to be tied low on the module (through a resistor). Bits <15:1> in the register represent **systag**<31:17>. This register is not initialized.

Figure A-3 Tag Enable Register



LJ-04180.AI

There is no requirement that the upper bits of TAGEN<31:17> be set. An implementation that does not allow the full 4GB cacheable memory to be installed may choose to mask off upper bits of TAGEN<31:17> and save having to store a bit of the tag address in the tag address RAM.

To construct TAGEN<31:17>, refer to Tables A-3 and A-4. The value shown in Table A-3 (based on the cache size) is ANDed with the value in Table A-4 (based on the maximum cacheable system memory). For example, a system with a 16MB cache, and a maximum of 1GB cacheable memory would program:

```
1111 1111 0000 000X ANDed with
0011 1111 1111 111X gives
0011 1111 0000 000X which is put into TAGEN.
```

Table A-3 Cache Size Tag Enable Values

TAGEN<15:0>	Compared Bits	Cache Size
0000 0000 0000 0000 ¹	None	4GB
1000 0000 0000 0000	<31>	2GB
1100 0000 0000 0000	<31:30>	1GB
1110 0000 0000 0000	<31:29>	512MB
1111 0000 0000 0000	<31:28>	256MB
1111 1000 0000 0000	<31:27>	128MB
1111 1100 0000 0000	<31:26>	64MB
1111 1110 0000 0000	<31:25>	32MB
1111 1111 0000 0000	<31:24>	16MB
1111 1111 1000 0000	<31:23>	8MB
1111 1111 1100 0000	<31:22>	4MB
1111 1111 1110 0000	<31:21>	2MB
1111 1111 1111 0000	<31:20>	1MB
1111 1111 1111 1000	<31:19>	512KB
1111 1111 1111 1100	<31:18>	256KB
1111 1111 1111 1110	<31:17>	128KB

¹TAGEN<0> is reserved and must be zero.

Table A-4 Maximum Memory Tag Enable Values

TAGEN<15:0>	Compared Bits	Memory Size
1111 1111 1111 1110 ¹	<31:17>	4GB
0111 1111 1111 1110	<30:17>	2GB
0011 1111 1111 1110	<29:17>	1GB
0001 1111 1111 1110	<28:17>	512MB
0000 1111 1111 1110	<27:17>	256MB
0000 0111 1111 1110	<26:17>	128MB

¹TAGEN<0> is reserved and must be zero.

(continued on next page)

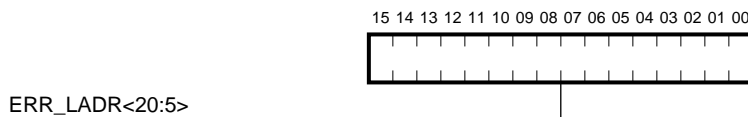
Table A–4 (Cont.) Maximum Memory Tag Enable Values

TAGEN<15:0>	Compared Bits	Memory Size
0000 0011 1111 1110	<25:17>	64MB
0000 0001 1111 1110	<24:17>	32MB
0000 0000 1111 1110	<23:17>	16MB
0000 0000 0111 1110	<22:17>	8MB
0000 0000 0011 1110	<21:17>	4MB
0000 0000 0000 1110	<19:17>	1MB
0000 0000 0000 0110	<18:17>	512KB
0000 0000 0000 0010	<17>	256KB
0000 0000 0000 0000	None	128KB

A.1.4 Error Low Address Register

The error low address register is shown in Figure A–4. The register locks the low order bits of the sysBus address (**sysadr<20:5>**) that caused the error and set the BC_TAPER, BC_TCPERR, or NXMERR bit in the error and diagnostic status register. If a victim read caused the error, the victim address is not latched; rather, the address of the transaction is latched. Bits <15:0> represent **sysadr<20:5>**. This register is read-only. It is not initialized and is valid only when an error is indicated.

Figure A–4 Error Low Address Register

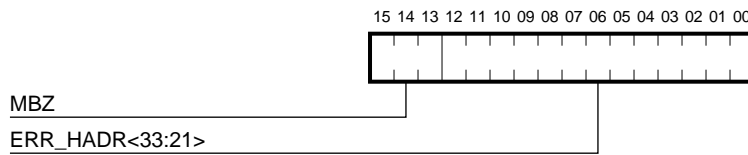


LJ-04181.AI

A.1.5 Error High Address Register

The error high address register is shown in Figure A–5. The register locks the high order bits of the sysBus address (**sysadr<33:21>**) that caused the error. Bits <12:0> represent **sysadr<33:21>**. This register is read-only. It is not initialized and is only valid when an error is indicated. Bits <15:13> are reserved and must be zero.

Figure A-5 Error High Address Register

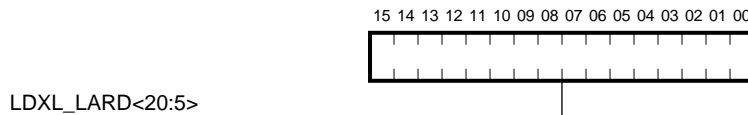


LJ-04182.AI

A.1.6 LD_x_L Low Address Register

The LD_x_L low address register is shown in Figure A-6. The register stores the low-order bits of the last locked address. Bits <15:0> in the register represent **sysadr**<20:5>. This register is read-only and is not initialized.

Figure A-6 LD_x_L Low Address Register

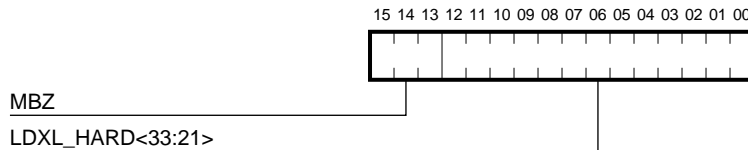


LJ-04183.AI

A.1.7 LD_x_L High Address Register

The LD_x_L high address register is shown in Figure A-7. The register stores the high-order bits of the locked address. Bits <12:0> in the register represent **sysadr**<33:21>. This register is read-only and is not initialized.

Figure A-7 LD_x_L High Address Register



LJ-04184.AI

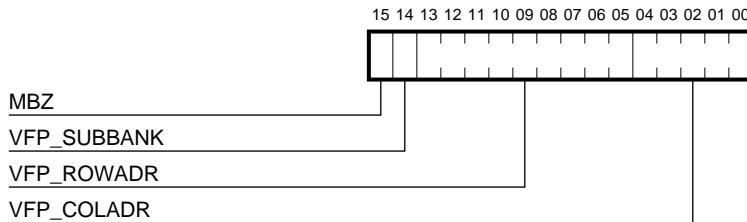
A.1.8 Memory Control Registers

This section describes and defines 21071-CA registers that control memory configuration and timing. Each bank set of memory has one configuration register and two timing registers. The global timing register and refresh timing register apply to all bank sets. The video frame pointer is used for video transactions to bank set 8.

A.1.8.1 Video Frame Pointer Register

The video frame pointer register is shown in Figure A-8 and is defined in Table A-5. The register contains address information that points to the beginning of the video frame buffer. The video frame pointer is loaded into the video display pointer at the beginning of each full serial transfer to bank set 8. This register is not initialized.

Figure A-8 Video Frame Pointer Register



LJ-04185.AI

Table A-5 Video Frame Pointer Register

Field	Name	Type	Description
<15>	Reserved	MBZ	—
<14>	VFP_SUBBANK	RW	Video frame subbank pointer. Subbank for the start of the frame buffer. Subbank for the start of the frame buffer. If the subbank is enabled by setting S8_SUBENA in the bank set 8 configuration register, setting the VFP_SUBBANK bit causes the 21071-CA to assert v<1:0>_rasb8_1 instead of v<1:0>_ras8_1 on full serial register loads. VFP_SUBBANK is ignored if S8_SUBENA is cleared.

(continued on next page)

Table A–5 (Cont.) Video Frame Pointer Register

Field	Name	Type	Description
<13:5>	VFP_ROWADR	RW	Video frame row address pointer. Row address of the start of the frame buffer.
<4:0>	VFP_COLADR	RW	Video frame column address pointer. Used as column address <6:2> for all serial register loads.

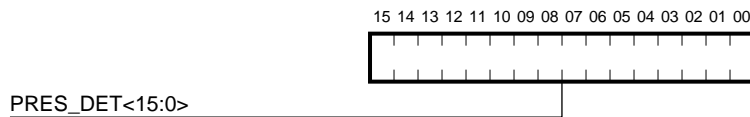
A.1.8.2 Presence Detect Low-Data Register

The presence detect low-data register is shown in Figure A–9. The register stores the low-order bits of the presence detect data that was shifted in after reset. Bits <15:0> in the register represent data bits <15:0> that were shifted in.

Note

After deassertion of reset, it takes 148 system clock cycles for this data to become valid.

Figure A–9 Presence Detect Low-Data Register



LJ-04186.AI

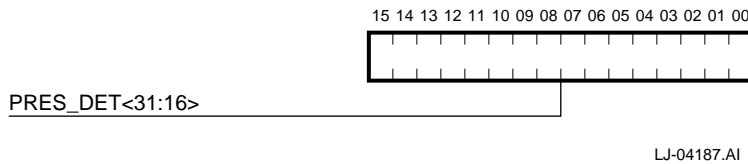
A.1.8.3 Presence Detect High-Data Register

The presence detect high-data register is shown in Figure A-10. The register stores the high-order bits of the presence detect data that was shifted in after reset. Bits <15:0> in the register represent data bits <31:16> that were shifted in.

Note

After deassertion of reset, it takes 148 system clock cycles for this data to become valid.

Figure A-10 Presence Detect High-Data Register

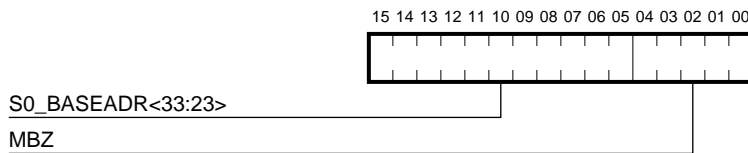


LJ-04187.AI

A.1.8.4 Base Address Registers

Each memory bank set has a corresponding base address register as shown in Figure A-11.

Figure A-11 Bank Set 0 Base Address Register



LJ-04188.AI

The bits in this register are compared with the incoming sysBus address **sysadr<33:23>** to determine the bank set being addressed. The contents of this register are validated by setting the valid bit in the configuration register of that bank set.

The number of bits that are compared depends on the size of the corresponding bank set. Bank sets 7 to 0 have an 11-bit field, limiting the minimum DRAM bank set size to 8MB. Bits <15:5> in the register correspond to **sysadr<33:23>**.

Bank set 8, which can contain video RAMs and has a minimum size of 1MB, has the same 11-bit field, where bits <15:5> in the register correspond to **sysadr<33:23>** while **sysadr<22:20>** are compared with zero.

The base address of each bank set must begin on a naturally aligned boundary (so for a bank set with 2^n addresses, the n least significant bits must be zero).

Bank set 8 must be placed on an aligned 8MB boundary for bank sizes less than or equal to 8MB.

If bank set 8 has parity checking disabled (**S8_CHECK** is clear), then bank set 8 must be mapped into noncacheable space (**S8_BASEADR<32>** is set).

Register bits <4:0> are reserved and must be zero.

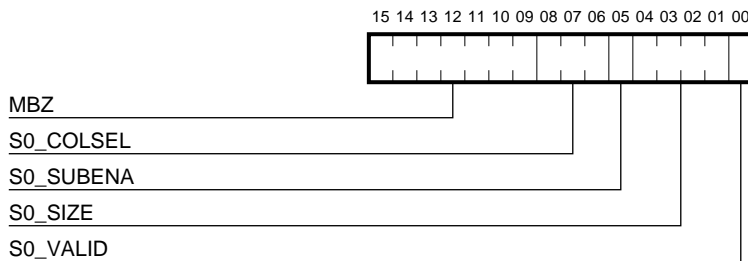
A.1.8.5 Configuration Registers

Each memory bank set has a corresponding configuration register that contains mode bits, memory address generation bits, and bank set decoding bits. Bank set 0 to 7 configuration registers differ from the bank set 8 configuration register.

Bank Set 0 to 7 Configuration Registers

Bank set 0 to 7 configuration registers have the same format and also have the same limits on bank set size and type of DRAMs used. With the exception of the valid bit, these registers are not initialized. Bank set 0 to 7 registers are shown in Figure A-12 and are defined in Table A-6.

Figure A-12 Bank Set 0 to 7 Configuration Register



LJ-04189.AI

Table A-6 Bank Set 0 to 7 Configuration Register

Field	Name	Type	Description
<15:9>	Reserved	MBZ	—
<8:6>	S0_COLSEL	RW	Column address selection. Indicates the number of valid column bits expected at the DRAMs. Used together with memory width information to generate row or column addresses. Memory interface width is set at 128 bits. S0_COLSEL<2:0> field codes are listed here:
		S0_COLSEL<2:0>	Row, Column Bits
		000	12, 12
		001	12, 10 or 11, 11
		010	Reserved
		011	10, 10
		1XX	Reserved

(continued on next page)

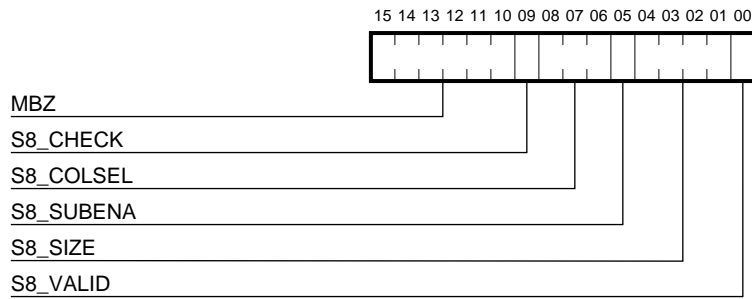
Table A–6 (Cont.) Bank Set 0 to 7 Configuration Register

Field	Name	Type	Description																																								
<5>	S0_SUBENA	RW, 0	Enable subbanks. When set, subbanks are enabled and are determined according to S0_SIZE. When clear, subbanks are disabled, and the <3:0>_rasb0_1 pins will be asserted only during refreshes.																																								
<4:1>	S0_SIZE	RW	Bank set 8 size in megabytes. Indicates the size of the bank set to determine which bits are used in comparing the bank set base address with the physical address (PA) and for generating the subset. Corresponds to the total size of the bank set, including subbanks, if present. S0_SIZE<3> must be set to 0. S0_SIZE<3:0> field codes are listed here:																																								
<table border="1"> <thead> <tr> <th>S0_SIZE <3:0></th> <th>Compared</th> <th>Subset</th> <th>Set Size</th> </tr> </thead> <tbody> <tr> <td>0000</td> <td>—</td> <td>—</td> <td>Reserved</td> </tr> <tr> <td>0001</td> <td>PA<33:29></td> <td>PA<28></td> <td>512MB</td> </tr> <tr> <td>0010</td> <td>PA<33:28></td> <td>PA<27></td> <td>256MB</td> </tr> <tr> <td>0011</td> <td>PA<33:27></td> <td>PA<26></td> <td>128MB</td> </tr> <tr> <td>0100</td> <td>PA<33:26></td> <td>PA<25></td> <td>64MB</td> </tr> <tr> <td>0101</td> <td>PA<33:25></td> <td>PA<24></td> <td>32MB</td> </tr> <tr> <td>0110</td> <td>PA<33:24></td> <td>PA<23></td> <td>16MB</td> </tr> <tr> <td>0111</td> <td>PA<33:23></td> <td>PA<22></td> <td>8MB</td> </tr> <tr> <td>1XXX</td> <td>—</td> <td>—</td> <td>Reserved</td> </tr> </tbody> </table>				S0_SIZE <3:0>	Compared	Subset	Set Size	0000	—	—	Reserved	0001	PA<33:29>	PA<28>	512MB	0010	PA<33:28>	PA<27>	256MB	0011	PA<33:27>	PA<26>	128MB	0100	PA<33:26>	PA<25>	64MB	0101	PA<33:25>	PA<24>	32MB	0110	PA<33:24>	PA<23>	16MB	0111	PA<33:23>	PA<22>	8MB	1XXX	—	—	Reserved
S0_SIZE <3:0>	Compared	Subset	Set Size																																								
0000	—	—	Reserved																																								
0001	PA<33:29>	PA<28>	512MB																																								
0010	PA<33:28>	PA<27>	256MB																																								
0011	PA<33:27>	PA<26>	128MB																																								
0100	PA<33:26>	PA<25>	64MB																																								
0101	PA<33:25>	PA<24>	32MB																																								
0110	PA<33:24>	PA<23>	16MB																																								
0111	PA<33:23>	PA<22>	8MB																																								
1XXX	—	—	Reserved																																								
<0>	S0_VALID	RW, 0	Bank set 0 valid. If set, all timing and configuration parameters for bank set 0 are valid, and access to bank set 0 is allowed. If cleared, access to bank set 0 is not allowed.																																								

Bank Set 8 Configuration Register

Bank set 8 is the VRAM bank; it supports minimum DRAM sizes and configurations that differ from bank set 0 to 7. The bank set 8 configuration register is shown in Figure A–13 and is defined in Table A–7.

Figure A–13 Bank Set 8 Configuration Register



LJ-04190.AI

Table A–7 Bank Set 8 Configuration Register

Field	Name	Type	Description
<15:10>	Reserved	MBZ	—
<9>	S8_CHECK	RW, 0	Enable parity checking. When set, accesses to bank set 8 will have their parity checked, as with other bank sets. When clear, parity will not be checked. When clear, bank set 8 must be mapped into noncacheable space. Only bank set 8 has this feature.
<8:6>	S8_COLSEL	—	Column address selection. Indicates the number of valid column bits expected at the DRAMs. Used along with memory width information to generate column row or column addresses. Memory width is determined by the widemem pin. S8_COLSEL field codes are listed here:
		S8_COLSEL	Row, Column Bits
		0XX	Reserved
		100	9, 9
		101	9, 8
		11X	Reserved

(continued on next page)

Table A–7 (Cont.) Bank Set 8 Configuration Register

Field	Name	Type	Description																																								
<5>	S8_SUBENA	RW, 0	Enable subbanks. When set, subbanks are enabled and determined according to S8_SIZE. When clear, subbanks are disabled, and the b<1:0>_rasb0_1 pins will be asserted only during refresh.																																								
<4:1>	S8_SIZE	RW, 0	Bank set 8 size. Indicates the size of the bank set to determine which bits are used in comparing the base address with the physical address and for selecting the subset (if S8_SUBENA is set). Corresponds to the total size of bank set 8, including subbanks, if present. The S8_SIZE field codes are listed here:																																								
			<table border="1"> <thead> <tr> <th>S8_SIZE <3:0></th> <th>Compared</th> <th>Subbank</th> <th>Bank Set Size</th> </tr> </thead> <tbody> <tr> <td>0XXX</td> <td>—</td> <td>—</td> <td>Reserved</td> </tr> <tr> <td>1000</td> <td>—</td> <td>PA<23></td> <td>Reserved</td> </tr> <tr> <td>1001</td> <td>PA<33:23></td> <td>PA<22></td> <td>8MB</td> </tr> <tr> <td>1010</td> <td>PA<33:22></td> <td>PA<21></td> <td>4MB</td> </tr> <tr> <td>1011</td> <td>PA<33:21></td> <td>PA<20></td> <td>2MB</td> </tr> <tr> <td>1100</td> <td>PA<33:20></td> <td>PA<19></td> <td>1MB</td> </tr> <tr> <td>1101</td> <td>—</td> <td>—</td> <td>Reserved</td> </tr> <tr> <td>1110</td> <td>—</td> <td>—</td> <td>Reserved</td> </tr> <tr> <td>1111</td> <td>—</td> <td>—</td> <td>Reserved</td> </tr> </tbody> </table>	S8_SIZE <3:0>	Compared	Subbank	Bank Set Size	0XXX	—	—	Reserved	1000	—	PA<23>	Reserved	1001	PA<33:23>	PA<22>	8MB	1010	PA<33:22>	PA<21>	4MB	1011	PA<33:21>	PA<20>	2MB	1100	PA<33:20>	PA<19>	1MB	1101	—	—	Reserved	1110	—	—	Reserved	1111	—	—	Reserved
S8_SIZE <3:0>	Compared	Subbank	Bank Set Size																																								
0XXX	—	—	Reserved																																								
1000	—	PA<23>	Reserved																																								
1001	PA<33:23>	PA<22>	8MB																																								
1010	PA<33:22>	PA<21>	4MB																																								
1011	PA<33:21>	PA<20>	2MB																																								
1100	PA<33:20>	PA<19>	1MB																																								
1101	—	—	Reserved																																								
1110	—	—	Reserved																																								
1111	—	—	Reserved																																								
<0>	S8_VALID	RW, 0	Register valid bit. If set, all parameters are valid and access to bank set 8 is allowed. If cleared, no accesses to bank set 8 are allowed. DMA accesses to this bank should not be performed when error checking is disabled.																																								

A.1.8.6 Bank Set Timing Registers A and B

Each bank set has two timing registers (A and B) associated with it. These registers contain the timing parameters required to perform memory read and write transactions. The format of the timing registers is identical for all bank sets.

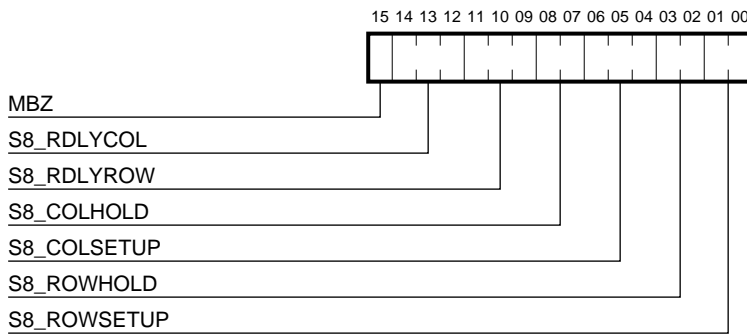
On reset, all the parameters are set to the maximum value. This may not result in correct operation on the memory interface. Therefore, the timing registers should be programmed by software before setting the corresponding bank set valid bit in the configuration register.

All the timing parameters are in multiples of **memclk** cycles. Most of the timing parameters in timing registers A and B have a minimum value that is added to the programmed value. The programmer should be careful to subtract this value from the desired value before programming it into the register. The description of the parameters also indicates the corresponding DRAM parameter.

Bank Set Timing Register A

Bank set timing register A is shown in Figure A-14 and is defined in Table A-8.

Figure A-14 Bank Set Timing Register A



LJ-04191.AI

Table A-8 Bank Set Timing Register A

Field	Name	Type	Description
<15>	Reserved	MBZ	—
<14:12>	S8_RDLYCOL	RW, 1	Read delay from column address. Used only when starting in page mode. Delay from column address to latching first valid read data.

Programmed value = desired value - 2.

(continued on next page)

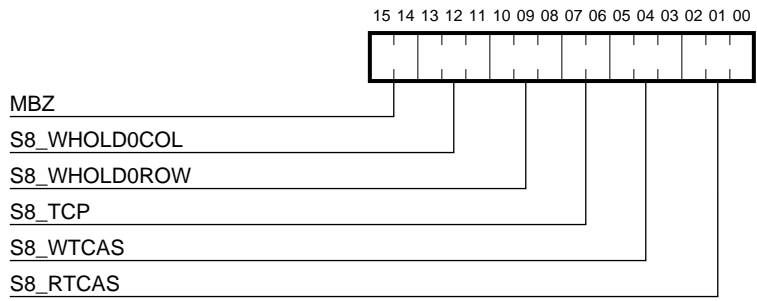
Table A–8 (Cont.) Bank Set Timing Register A

Field	Name	Type	Description
<11:9>	S8_RDLYROW	RW, 1	Read delay from row address. Delay from row address to latching first valid read data. <i>Programmed value = desired value – 4.</i>
<8:7>	S8_COLHOLD	RW, 1	Column hold. Column hold (t_{CAH}) from b0_cas<1:0>_l assertion. Used to determine when the current column address can be changed to the next column or row address. <i>Programmed value = desired value – 1.</i>
<6:4>	S8_COLSETUP	RW, 0	Column address setup. Column address setup (t_{ASC}) to first CAS assertion and write enable setup (t_{CWL}) to CAS assertion. Used to determine first b0_cas<1:0>_l assertion after column address and b<1:0>_cas<1:0>_l assertion after b0_l<3:0>_we_l . The maximum of the two setup values should be programmed. A programmed value of 7 is invalid. <i>Programmed value = desired value – 1.</i>
<3:2>	S8_ROWHOLD	—	Row address hold. Used to switch memadr from row to column after b<1:0>_ras_l assertion. <i>Programmed value = desired value – 1.</i>
<1:0>	S8_ROWSETUP	RW, 1	Row address setup. Used to generate b<1:0>_ras0_l assertion from row address. <i>Programmed value = desired value – 1.</i>

Bank Set Timing Register B

Bank set timing register B is shown in Figure A–15 and is defined in Table A–9.

Figure A-15 Bank Set Timing Register B



LJ-04192.AI

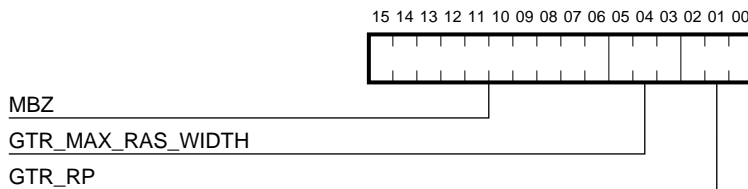
Table A–9 Bank Set Timing Register B

Field	Name	Type	Description
<15:14>	Reserved	MBZ	—
<13:11>	S8_WHOLD0COL	RW, 1	Write hold time from column address. Used only for the first data when starting in page mode. Write data is valid with the column address and is held valid S8_WHOLD0COL + 2 cycles after the column address. <i>Programmed value = desired value – 2.</i>
<10:8>	S8_WHOLD0ROW	RW, 1	Write hold time from row address. Hold time of first write data from first row address. The first write data is valid with the row address, and is held valid S8_WHOLD0ROW + 2 cycles after the row address. Used when not starting in page mode. A programmed value of zero is invalid. <i>Programmed value = desired value – 2.</i>
<7:6>	S8_TCP	RW, 1	CAS precharge (t_{CP}). Delay from b0_cas<1:0>_1 deassertion to the next assertion of b0_cas<1:0>_1 in page mode. <i>Programmed value = desired value – 1.</i>
<5:3>	S8_WTCAS	RW, 1	Write CAS width (t_{CAS}). Used on write transactions to generate the b0_cas<1:0>_1 deassertion from the assertion of b0_cas<1:0>_1 . Note: S8_WTCAS and S8_TCP should be programmed such that their sum is ≤ 5 . <i>Programmed value = desired value – 2.</i>
<2:0>	S8_RTCAS	RW, 1	Read CAS width (t_{CAS}). Used on read transactions to generate the b0_cas<1:0>_1 deassertion from the assertion of b0_cas<1:0>_1 . Note: S8_RTCAS and S8_TCP should be programmed such that their sum is ≤ 5 . <i>Programmed value = desired value – 2.</i>

A.1.8.7 Global Timing Register

The global timing register contains parameters that are common to all memory bank sets. Each parameter counts **memclk** cycles. All pins on the memory interface are referenced to **memclk** rising. The global timing register is shown in Figure A-16 and is defined in Table A-10.

Figure A-16 Global Timing Register



LJ-04193.AI

Table A-10 Global Timing Register

Field	Name	Type	Description
<15:6>	Reserved	MBZ	—
<5:3>	GTR_MAX_RAS_WIDTH	—	Maximum RAS assertion width. Maximum RAS assertion width as a multiple of 128 memclk cycles. When this count is reached, the signal b<3:0>_ras0_1 is deasserted at the end of the ongoing transaction. This value should be programmed with sufficient margin to allow for the timer overflowing during a transaction. Corresponds to DRAM parameter t_{RAS} . When programmed to a 0, page mode between transactions will be disabled.
<2:0>	GTR_RP	—	Minimum number of RAS precharge cycles. Cycles extend from b<3:0>_cas0_1 deassertion to next assertion of the same b<3:0>_cas0_1 pin. Corresponds to DRAM parameter t_{RP} .

Programmed value = desired value - 2.

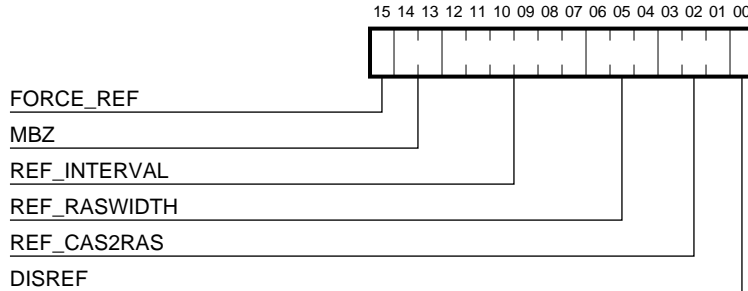
A.1.8.8 Refresh Timing Register

The refresh timing register contains refresh timing information used to simultaneously refresh all bank sets using CAS-RAS refresh. Therefore, these parameters should be programmed to the most conservative values across all sets.

All the timing parameters are in multiples of **memclk** cycles. The parameters have a minimum value that is added to the programmed value. The programmer should be careful to subtract this minimum value from the desired value before writing the value to the register.

The refresh timing register is shown in Figure A-17 and is defined in Table A-11.

Figure A-17 Refresh Timing Register



LJ-04194.AI

Table A-11 Refresh Timing Register

Field	Name	Type	Description
<15>	FORCE_REF	RW, 1	Force refresh. Writing a 1 to this bit causes a single memory refresh. Reads as 0. Resets the internal refresh interval counter.
<14:13>	Reserved	MBZ	—
<12:7>	REF_INTERVAL	RW, 000001 ₂	Refresh interval. Multiplied by 64 to generate number of memclk cycles between refresh requests. A programmed value of zero is invalid.

(continued on next page)

Table A–11 (Cont.) Refresh Timing Register

Field	Name	Type	Description
<6:4>	REF_RASWIDTH	RW, 1	Refresh RAS width. Refresh RAS assertion width from b<3:0>_ras0_1 assertion to b<3:0>_ras0_1 deassertion. b<3:0>_cas0_1 is deasserted with b<3:0>_ras0_1 for refresh. Corresponds to DRAM parameter t_{RAS} . <i>Programmed value = desired value – 3.</i>
<3:1>	REF_CAS2RAS	RW, 1	Refresh CAS assertion to RAS assertion cycles. Corresponds to DRAM parameter t_{CSR} . <i>Programmed value = desired value – 2.</i>
<0>	DISREF	RW, 0	Disable refresh. Refresh operations will not be performed when DISREF is set. The other timings in this register should not be changed while this bit is set. FORCE_REF overrides DISREF.

A.2 DECchip 21071-DA CSR Descriptions

All CSRs are addressed on cache line boundaries (that is, address bits <4:2> must be zero). Register addresses are specified in Table 4–3.

Write transactions to read-only registers do not cause errors and are acknowledged as normal. Only zeros should be written to unspecified bits within a register. Registers are initialized as specified in the register field descriptions.

In the implementation, address bits <27:11> are treated as a don't care state. Therefore, accesses to addresses in 21071-DA CSR space with nonzero address bits <27:11> will map to the corresponding CSR address with address bits <27:11> equal to zero.

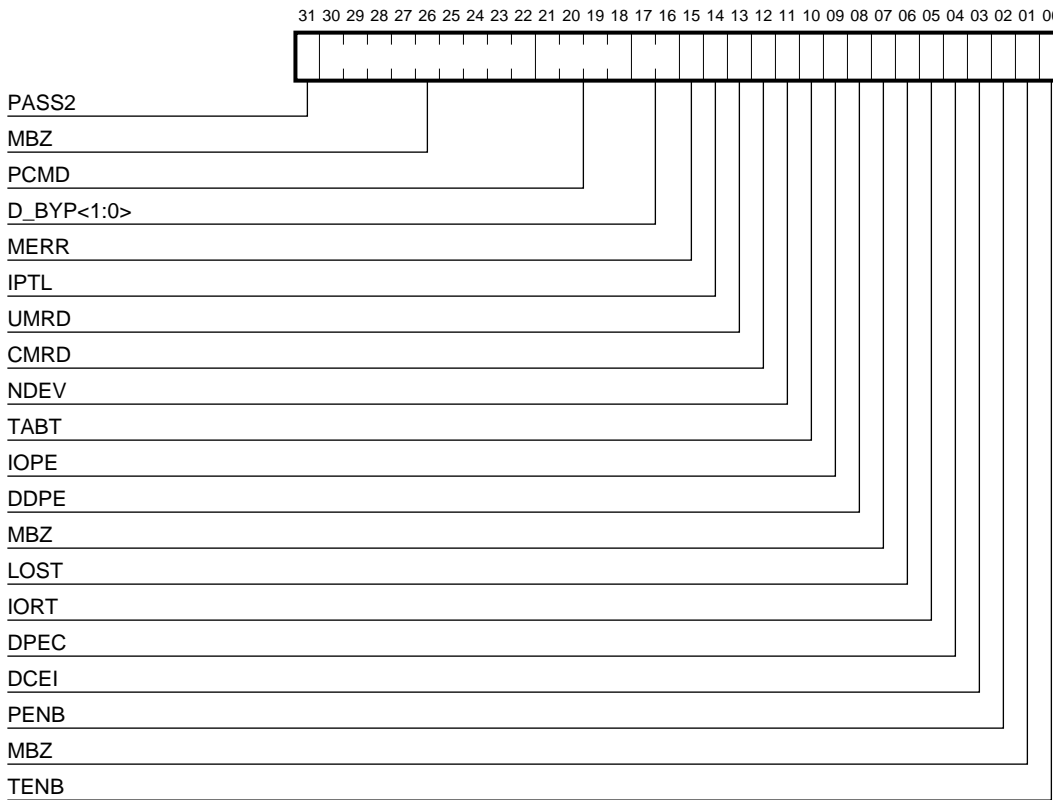
A.2.1 Dummy Registers 1 Through 3

These three registers have no side effects on write transactions and they return zero on read transactions. Write transactions to these registers can be used to pack the 21064A write buffers to prevent merging of sparse space I/O write transactions. Software will not be forced to use an MB instruction between write transactions if this mechanism is used.

A.2.2 Diagnostic Control and Status Register

The diagnostic control and status register (DCSR) provides control of operational and diagnostic modes, and it reports status and error conditions. The register is shown in Figure A-18 and is defined in Table A-12.

Figure A-18 Diagnostic Control and Status Register



LJ-04195.AI

Table A–12 Diagnostic Control and Status Register

Field	Name	Type	Description
<31>	PASS2	RO	Pass 2. Chip version reads low on pass 1 and high on pass 2.
<30:22>	Reserved	MBZ	—
<21:18>	PCMD	RO	PCI command. This field indicates the PCI type when a PCI-initiated error is logged in the DCSR. The field is valid only when IPTL, NDEV, TABT, and IOPE are set.
<17:16>	D_BYYP<1:0>	RW, 0	Disable read bypass. This field is used to control the order of PCI-initiated memory read transactions with respect to PCI-initiated memory write transactions. The three modes are described in Table A–13.
<15>	MERR	RW, 0	Memory error. This bit is set when the 21071-DA receives an error code in the iocack<1:0> field in response to a memory access. Bits sysadr<35:5> for this transaction are logged in sysBus error address register bits <31:4>. This bit is not logged if the sysBus error address register is locked by a previous error. In this case, the lost error bit is set.
<14>	IPTL	RWC, 0	Invalidate page table lookup. This bit is set when the longword scatter-gather map entry being accessed is invalid. Bits ad<31:0> are logged in the PCI error address register, if it is not already locked.
<13>	UMRD	RWC, 0	Uncorrectable memory read data. This bit is set when an uncorrectable error is encountered by the 21071-DA in the data read from the DMA read buffer in the 21071-BA to the 21071-DA on a DMA read or a scatter-gather read transaction. Bits sysadr<33:6> for this transaction are logged in sysBus error address register bits <31:4> if it is not locked.
<12>	CMRD	RWC, 0	Correctable memory read data. Not applicable. Longword parity is implemented on the AlphaPC64.
<11>	NDEV	RWC, 0	No device. This bit is set when devsel# is not asserted in response to an I/O read or write transaction initiated on the PCI by the 21071-DA. Bits ad<31:0> for this transaction are logged in the PCI error address register.

(continued on next page)

Table A–12 (Cont.) Diagnostic Control and Status Register

Field	Name	Type	Description
<10>	TABT	RWC, 0	Target abort. This bit is set when a PCI slave device ends an I/O read or write transaction using the PCI target abort protocol. Bits ad<31:0> for this transaction are logged in the PCI error address register.
<9>	IOPE	RWC, 0	I/O parity error. This bit is set when a parity error occurs in the data phase of an I/O read or write transaction. Bits ad<31:0> for this transaction are logged in the PCI error address register.
<8>	DDPE	RWC, 0	DMA data parity error. This bit is set when a parity error occurs in the data phase of a DMA transaction. Bits ad<31:0> for this transaction are logged in the PCI error address register.
<7>	Reserved	MBZ	—
<6>	LOST	RWC, 0	Lost error. This bit is set by a 21071-DA error condition when the address register corresponding to that error is locked because of a previous error. In this case, error information for the second error is lost. The logged address information in the sysBus error address register or the PCI error address register will remain valid for the initial error condition.
<5>	IORT	RWC, 0	I/O retry timeout. This bit is set when a retry timeout error occurs on CPU-initiated read or write transactions on the PCI. Bits ad<31:0> are logged in the PCI error address register.
<4>	DPEC	RW, 0	Disable parity error checking. When DPEC is set, parity checking will not be performed on the PCI bus (address and data cycles, DMA and I/O transactions). Parity generation is not affected.
<3>	DCEI	RW, 0	Disable correctable error interrupt. Not applicable. Longword parity is implemented on the Alpha PCI 64-275.
<2>	PENB	RWC, 0	Prefetch enable bit. If this bit is set, the sysBus master state machine will enable prefetching on DMA read transactions.
<1>	Reserved	MBZ	—

(continued on next page)

Table A–12 (Cont.) Diagnostic Control and Status Register

Field	Name	Type	Description
<0>	TENB	RW, 0	TLB enable. When this bit is set, the entire TLB is enabled. When the bit is cleared, the TLB will be turned off and subsequent scatter-gather read transactions will not result in allocation of TLB entries. Entries that were valid when the TENB bit was cleared will remain valid. To invalidate entries, software must write to the TBIA register.

Table A–13 Diagnostic Control and Status Register Field D_BYP<1:0>

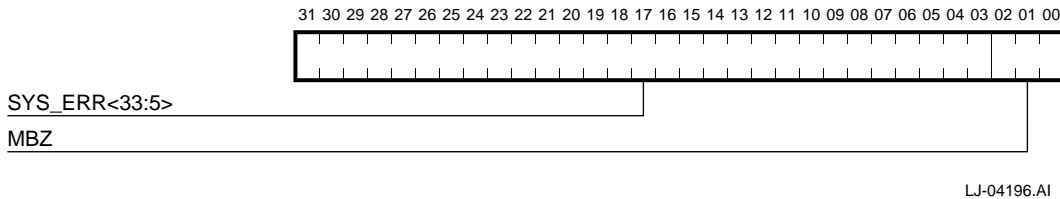
Value	Mode	Description
00	Full bypass	PCI-initiated memory read transactions will bypass buffered DMA write transactions if the double hexword address of the read transaction does not match that of the buffered write transactions. The address comparison is done across address bits <31:6>.
01	NA ¹	Reserved
10	Partial bypass	DMA read transactions will bypass buffered memory write transactions, if the address within the page does not match that of the buffered DMA write transactions. The address comparison is done across bits <12:6>.
11	No bypass	DMA read bypassing is disabled. DMA read transactions will be ordered with respect to DMA write transactions originating on the PCI.

¹Not applicable

A.2.3 sysBus Error Address Register

The sysBus error address register holds the sysBus address that was being used when an error happened. The register is shown in Figure A-19 and is defined in Table A-14.

Figure A-19 sysBus Error Address Register



LJ-04196.AI

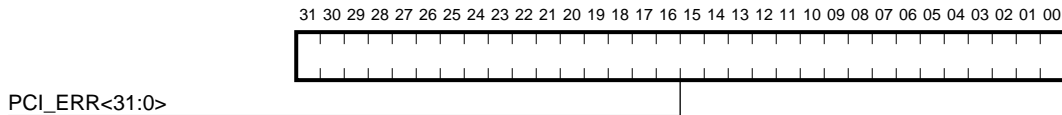
Table A-14 sysBus Error Address Register

Field	Name	Type	Description
<31:3>	SYS_ERR<33:5>	RO	sysBus error address. The address sent on sysBus sysadr<33:5> as a result of a DMA transaction is stored in this field. The field logs errors indicated by the MERR, UMRD, or CMRD bits in the DCSR, and is valid only when one of these bits is set. If an error bit is set, a subsequent error of the same type will not update the address logged in this register and the LOST bit is set in the DCSR.
<2:0>	Reserved	MBZ	—

A.2.4 PCI Error Address Register

The PCI error address register holds the PCI address **ad<31:0>** that was being used when an error happened. The register is shown in Figure A–20 and is defined in Table A–15.

Figure A–20 PCI Error Address Register



LJ-04197.AI

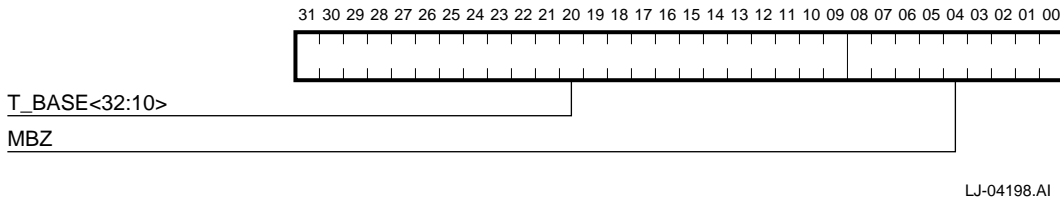
Table A–15 PCI Error Address Register

Field	Name	Type	Description
<31:0>	PCI_ERR<31:0>	RO	PCI error. The address sent out on the PCI bus ad<1:0> as a result of an I/O transaction is stored in this register. The field logs the address of the errors indicated by the NDEV, TABT, IOPE, DDPE, IPTL, and IORT bits in the DCSR. The register is valid only when one of these error bits is set. If one of the bits is set, a subsequent error of the same type will not update the address logged in this register and the LOST bit is set in DCSR.

A.2.5 Translated Base Registers 1 and 2

The translated base registers 1 and 2 provide the base address when mapping is enabled or disabled. The registers are shown in Figure A–21 and are defined in Table A–16.

Figure A–21 Translated Base Registers 1 and 2



LJ-04198.AI

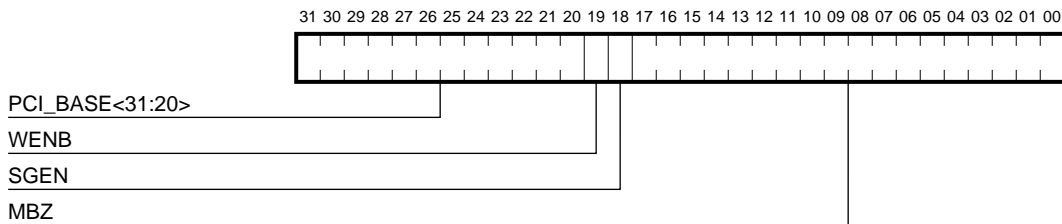
Table A–16 Translated Base Registers 1 and 2

Field	Name	Type	Description
<31:9>	T_BASE<32:10>	RW	Translated base. If scatter-gather mapping is disabled, T_BASE specifies the base CPU address of the translated PCI address for the PCI target window. If scatter-gather mapping is enabled, T_BASE specifies the base CPU address for the scatter-gather map table for the PCI target window.
<8:0>	Reserved	MBZ	—

A.2.6 PCI Base Registers 1 and 2

PCI base registers 1 and 2 provide the base address of the target window. The registers are shown in Figure A–22 and are defined in Table A–17.

Figure A–22 PCI Base Registers 1 and 2



LJ-04199.AI

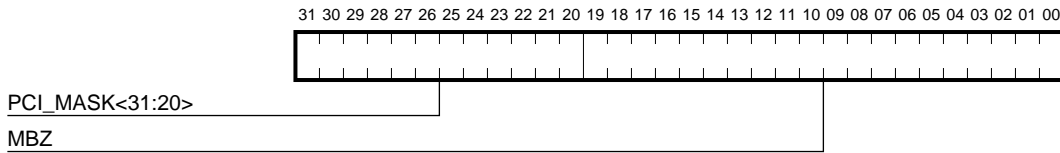
Table A–17 PCI Base Registers 1 and 2

Field	Name	Type	Description
<31:20>	PCI_BASE<31:20>	RW	PCI base. This field specifies the base address of the PCI target window.
<19>	WENB	RW, 0	Window enable. When this bit is cleared, the PCI target window is disabled and will not respond to PCI-initiated transfers. When WENB is set, the PCI target window is enabled and will respond to PCI-initiated transfers that hit in the address range of the target window. This bit should be disabled by the processor (software) when modifying any of the PCI target window registers (base, mask, or translated base).
<18>	SGEN	RW, 0	Scatter-gather enable. When this bit is cleared, the PCI target window uses direct mapping to translate a PCI address to a CPU address. When the bit is set, the PCI target window uses scatter-gather mapping to translate a PCI address to a CPU address.
<17:0>	Reserved	MBZ	—

A.2.7 PCI Mask Registers 1 and 2

PCI mask registers 1 and 2 define the size of the target window. The registers are shown in Figure A-23 and are defined in Table A-18.

Figure A-23 PCI Mask Registers 1 and 2



LJ-04200.AI

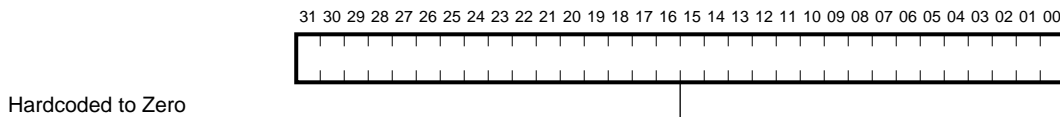
Table A-18 PCI Mask Registers 1 and 2

Field	Name	Type	Description
<31:20>	PCI_MASK<31:20>	RW	PCI mask. This field specifies the size of the PCI target window; it is also used in the PCI-to-CPU address translation.
<19:0>	Reserved	MBZ	—

A.2.8 Host Address Extension Register 0

The host address extension register is hardcoded to zero. A read transaction from this register returns zero; a write transaction has no effect. The register is shown in Figure A-24.

Figure A-24 Host Address Extension Register 0

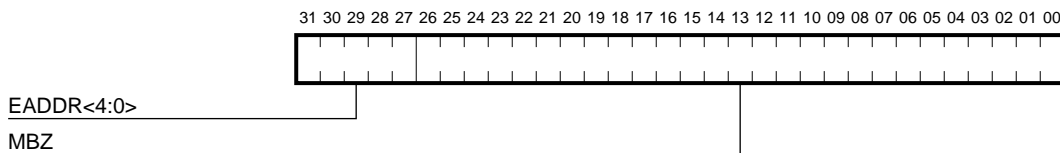


LJ-04201.AI

A.2.9 Host Address Extension Register 1

The host address extension register 1 generates **ad<31:27>** on CPU-initiated transactions addressing PCI memory space. The register is shown in Figure A-25 and is defined in Table A-19.

Figure A-25 Host Address Extension Register 1



LJ-04202.AI

Table A-19 Host Address Extension Register 1

Field	Name	Type	Description
<31:27>	EADDR<4:0>	RW, 0	Extension address. This field is used as the five high-order PCI address bits (ad<31:27>) for CPU-initiated transactions to PCI memory.

(continued on next page)

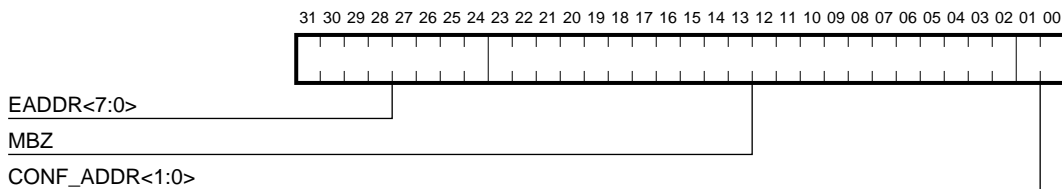
Table A–19 (Cont.) Host Address Extension Register 1

Field	Name	Type	Description
<26:0>	Reserved	MBZ	—

A.2.10 Host Address Extension Register 2

The host address extension register 2 generates **ad<31:24>** on CPU-initiated transactions addressing PCI I/O space. It also generates **ad<1:0>** during PCI configuration read and write transactions. The register is shown in Figure A-26 and is defined in Table A-20.

Figure A-26 Host Address Extension Register 2



LJ-04203.AI

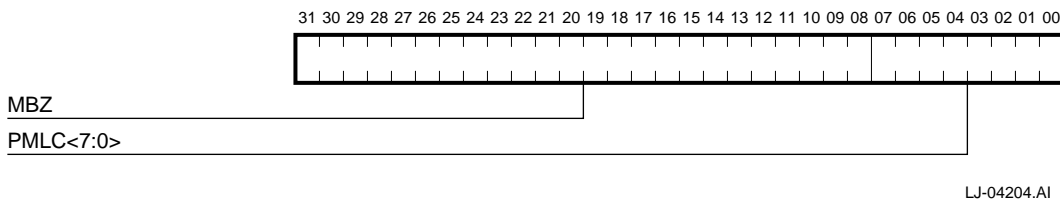
Table A-20 Host Address Extension Register 2

Field	Name	Type	Description
<31:24>	EADDR<7:0>	RW, 0	Extended address. This field is used as the eight high-order PCI address bits ad<31:24> for CPU-initiated transactions to PCI I/O space.
<23:2>	Reserved	MBZ	—
<1:0>	CONF_ADDR<1:0>	RW, 0	Configuration address. This field is used as the two low-order PCI address bits ad<1:0> for CPU-initiated transactions to PCI configuration space.

A.2.11 PCI Master Latency Timer Register

The PCI master latency timer register contains a value that determines the latency timer period. It should be programmed to be nonzero during system configuration. The register is shown in Figure A-27 and is defined in Table A-21.

Figure A-27 PCI Master Latency Timer Register



LJ-04204.AI

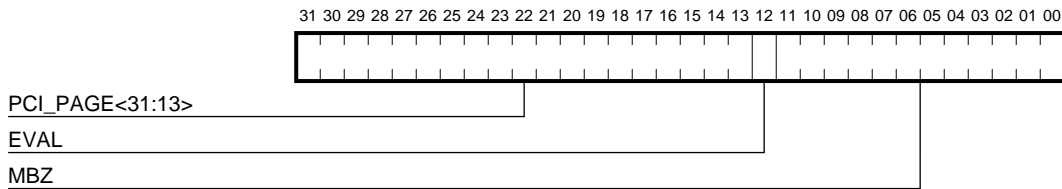
Table A-21 PCI Master Latency Timer Register

Field	Name	Type	Description
<31:8>	Reserved	MBZ	—
<7:0>	PMLC<7:0>	—	PCI master latency time. This field is loaded into the master latency timer register at the start of a PCI master transaction initiated by the 21071-DA. The register resets to zero.

A.2.12 TLB Tag Registers 0 Through 7

The TLB tag registers contain the PCI page address associated with the CPU page address in the TLB data registers. The registers are shown in Figure A-28 and are defined in Table A-22.

Figure A-28 TLB Tag Registers 0 Through 7



LJ-04205.AI

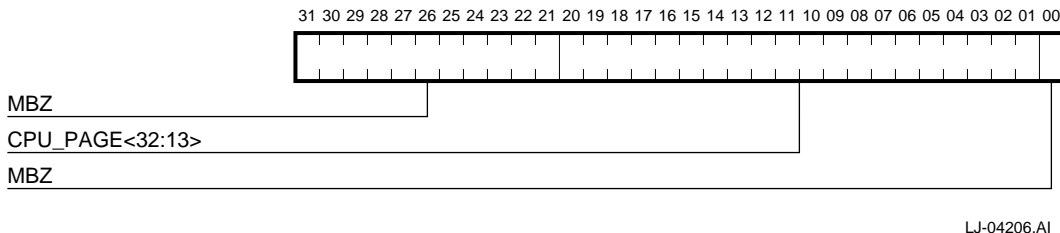
Table A-22 TLB Tag Registers 0 Through 7

Field	Name	Type	Description
<31:13>	PCI_PAGE<31:13>	RO	PCI page. This field specifies the PCI page address (tag) corresponding to the translated CPU page address in the associated TLB data register.
<12>	EVAL	RO	Entry valid. The entry valid bit can be read and written through this bit. Normally, the invalid bit contains the value read during a page table entry read transaction.
<11:0>	Reserved	MBZ	—

A.2.13 TLB Data Registers 0 Through 7

The TLB data registers contain the CPU page address associated with the PCI page address in the TLB tag registers. The registers are shown in Figure A–29 and are defined in Table A–23.

Figure A–29 TLB Data Registers 0 Through 7



LJ-04206.AI

Table A–23 TLB Data Registers 0 Through 7

Field	Name	Type	Description
<31:21>	Reserved	MBZ	—
<20:1>	CPU_PAGE<32:13>	RO	CPU page. Bits <32:13> of the translated CPU address can be read or written through this field.
<0>	Reserved	MBZ	—

A.2.14 Translation Buffer Invalidate All Register

The translation buffer invalidate all register (TBIA) is write-only. A write transaction to this register invalidates all valid entries in the scatter-gather map TLB.

B

SROM Initialization

The Alpha 21064A microprocessor provides a mechanism for loading the initial instruction stream (Istream) from a compact serial ROM (SROM) to start the bootstrap procedure. The SROM executable image is limited to the size of the CPU instruction cache (Icache). This code is limited to performing the system initialization necessary to boot the next level of firmware contained in the larger flash ROM (system ROM).

Trade-offs between simplicity and convenience of SROM code were made to support the Alpha PCI 64-275 in various configurations.

B.1 SROM Initialization

After reset, the contents of the SROM are loaded into the Icache. After loading the Icache, the CPU begins execution at location zero. Execution is performed in the CPU PALmode environment with privileged access to the computer hardware. The general steps performed by the SROM initialization are as follows:

1. Initialize the CPU's internal processor registers (IPRs).
2. Perform the minimum I/O subsystem initialization necessary to access the real-time clock (RTC) and the flash ROM.
3. Detect CPU speed by polling the periodic interrupt flag (PIF) in the RTC.
4. Set up memory and/or Level 2 (L2) cache parameters based on the speed of the CPU.
5. Wake up the DRAMs.
6. Initialize the L2 cache.
7. Copy the contents of the entire memory to itself to ensure good memory data parity.
8. Scan the flash ROM for a special header that specifies where and how flash ROM firmware should be loaded.

9. Copy the contents of the flash ROM to memory and begin code execution.
10. Pass parameters up to the next level of firmware to provide a predictable firmware interface.

B.1.1 Firmware Interface

A firmware interface provides a mechanism for passing critical information about the state of the system and CPU to the next level of firmware. This interface is achieved through the use of a set of defined SROM output parameters, as described in Table B-1.

Table B-1 Output Parameter Descriptions

Output Parameter	Parameter Description
r1 (t0) - AboxCtl value	The AboxCtl value allows the next-level software to preserve any system-specific Dcache configuration information. This register also contains the superpage enables that could be modified by both the next-level firmware and/or operating system PALcodes. Report of machine checks is enabled/disabled here.
r2 (t1) - BiuCtl value	The BiuCtl value controls the external bus interface unit, including L2 cache size and timing.

Caution

BiuCtl <2>, output enable, must be set to 1 or 21064A hardware damage may occur.

r17 (a1) - Memory size	This value is an unsigned quadword count of the number of contiguous bytes of good memory in the system starting at physical address zero. This simple mechanism will be sufficient for simple systems. Systems that need to communicate more detailed memory configuration may do so through the system context value (see last table entry).
------------------------	------------------------------------------------------------------------------------------------------------------------------------------------------------------------------------------------------------------------------------------------------------------------------------------------------------------------------------------------

(continued on next page)

Table B–1 (Cont.) Output Parameter Descriptions

Output Parameter	Parameter Description
r18 (a2) - Cycle count in picoseconds	<p>This value is the number of picoseconds that elapse for each increment of the processor cycle count (as read by the RPCC instruction). Note that this may be a multiple of the actual internal cycle count of the microprocessor as specified in the <i>Alpha Architecture Reference Manual</i>. (A microprocessor will increment the processor cycle count a multiple of the microprocessor clock where the multiple is a power of 2, including $2^0 = 1$.)</p>
r19 (a3) - Signature and system revision ID	<p>This register includes a signature that specifies that the transfer is following the standard protocol and that the other values can be trusted. In addition, the signature can identify which version of the protocol is being followed. The system revision is a 16-bit field that communicates system revisions that would be significant to operating system software. The register has the following format:</p> <p style="padding-left: 40px;"> <63..32> Don't care <31..16> Signature <15..0> System revision </p> <p>Valid signatures have the following values: deca - V1 (previous version of this specification) decb - V2 (current version of this specification)</p>
r20 (a4) - Active processor mask	<p>The processor mask identifies each processor that is present on the current system. Each mask bit corresponds to a processor number associated by the bit number (that is, bit 0 corresponds to processor 0). A value of 1 in the mask indicates that the processor is present; a value of 0 indicates that the processor is not present.</p> <p>To qualify as present, a processor must be:</p> <ul style="list-style-type: none"> • Physically present • Functioning normally • Capable of sending and receiving interprocessor interrupt requests <p>Uniprocessor systems will pass a value of 1 to this register.</p>

(continued on next page)

Table B–1 (Cont.) Output Parameter Descriptions

Output Parameter	Parameter Description
r21 (a5) - System context value	The context value is interpreted in a system-specific manner. If the system needs to pass more than one system-specific parameter, it may pass a context value, which is a physical address pointer to a data structure of many system-specific values.

B.1.2 Automatic CPU Speed Detection

The Alpha PCI 64-275 real-time clock (RTC) detects the speed of the CPU. The speed is determined by counting CPU cycles between RTC interrupts that occur at known time intervals.

B.1.3 CPU Bus Interface Timing

The Alpha PCI 64-275 L2 cache timing is based on CPU speed in addition to fixed delays associated with the L2 cache subsystem. The pertinent L2 cache delays used in the calculations result from the logic devices used in the L2 cache subsystem, SRAM specifications, and board etch delays. This data is used to calculate the appropriate BIU_CTL register setting, which determines the CPU pin bus timing.

Tables B–2, B–4, and B–5 describe the fixed delays for the Alpha PCI 64-275. Table B–3 provides the SRAM timing specification definitions.

Table B–2 Cache Loop Delay Characteristics

Function	Minimum Delay	Maximum Delay	Description
Tadr1	1.0 ns	1.6 ns	Delay from CPU to input of address buffer
Tbuf	1.0 ns	4.8 ns	Buffer gate delay
Tadr2	1.2 ns	1.5 ns	Address delay from buffer to SRAM inputs
Tdat	NA ¹	1.9 ns	Data return path from SRAM to CPU input pins
Twe1	1.0 ns	1.0 ns	Delay from CPU to the NOR gate in the WE path
Tnor	1.2 ns	5.0 ns	NOR gate delay
Twe2	1.0 ns	1.0 ns	Delay from the NOR gate to the SRAM inputs

¹NA = Not applicable

Table B-3 SRAM Timing Specification Definitions

Parameter	Definition
Tacc	Access from address valid to data valid
Twc	Write cycle time
Twp	Write pulse width
Tdw	Data setup to write pulse deassertion
Tdh	Data hold from write pulse deassertion
Taw	Address setup to write pulse deassertion
Twr	Address hold from write pulse deassertion
Tas	Address setup to write pulse assertion

Table B–4 Worst-Case SRAM Timing Specifications

Parameter	Typical SRAM Timing Specifications				
	6-ns SRAM	8-ns SRAM	10-ns SRAM	12-ns SRAM	15-ns SRAM
Tacc	6 ns	8 ns	10 ns	12 ns	15 ns
Twc	6 ns	8 ns	10 ns	12 ns	15 ns
Twp	6 ns	8 ns	9 ns	10 ns	12 ns
Tdw	3 ns	4 ns	5 ns	6 ns	7 ns
Tdh	0 ns	0 ns	0 ns	0 ns	0 ns
Taw	6 ns	8 ns	9 ns	10 ns	12 ns
Twr	0 ns	0 ns	0 ns	0 ns	0 ns
Tas	0 ns	0 ns	0 ns	0 ns	0 ns

Table B–5 CPU Specifications

Function	Specification	Description
Tsu	3.5 ns	Internal CPU setup time (21064A)
Tstable	2.9 ns	CPU data stable time

B.1.4 L2 Cache Read and Write Calculations

The methods and equations for calculating L2 cache read and write timing are presented in this section.

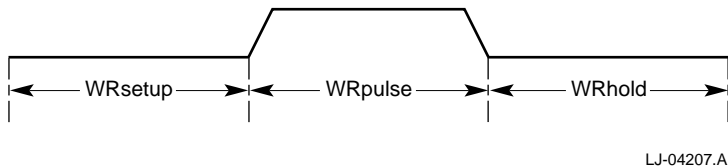
Read Cycle Calculation

$$Read = T_{adr1} + T_{buf} + T_{adr2} + T_{acc} + T_{dat} + T_{su}$$

Write Cycle Calculations

WRsetup is the earliest from the beginning of a write cycle that the write pulse can be asserted (see Figure B-1).

Figure B-1 Write Cycle Timing



$$WRsetup = T_{adr1} + T_{buf} + T_{adr2} + skew$$

Address, based on the address path, and Tdata, based on the data path determine the earliest from the beginning of a write cycle that the write pulse can be deasserted. The larger of these two determine the more critical path on which the write pulse is determined.

$$T_{address} = WRsetup + T_{aw}$$

$$T_{data} = T_{clock} + T_{stable} + T_{dat} + T_{dw}$$

Because WRsetup is the earliest that the write pulse can be asserted, and Address and Tdata determine the earliest that the write pulse can be deasserted, it follows that:

WRpulse = maximum of the following:

$$T_{address} - WRsetup = T_{aw}$$

$$T_{data} - WRsetup$$

$$T_{wp} + skew$$

$$WRhold = T_{we1} + T_{nor} + T_{we2} + skew$$

The WRsetup requirement is offset by the write-enable path delay (WRhold), and the WRhold requirement is offset by the address path delay (WRsetup). The WRsetup and WRhold delays are then discounted by the fastest possible delay through the other path. The minimum parameters estimate the absolute fastest propagation through the address and write-enable paths.

Therefore:

$$WRsetup = T_{adr1} + T_{buf} + T_{adr2} + skew - WRhold \text{ (minimum)}$$

$$WRhold = T_{we1} + T_{nor} + T_{we2} + skew - WRsetup \text{ (minimum)}$$

B.1.5 Memory Initialization

The memory banks must be configured such that they are naturally aligned. For example, a bank configured with 32MB must have a base address of zero or some multiple of 32MB. Therefore, to ensure that both banks are contiguous (no gaps), the larger bank should be set to a base of zero, and the smaller bank should be set to the address immediately following the last location in the larger bank.

If the banks are the same size, this is still true. There is no requirement for which bank must be the larger one. Therefore, the following algorithm is used to determine the base addresses of the banks:

```
If bank_0_size ≥ bank_1_size
then
bank_0_base = 0
bank_1_base = bank_0_max_addr + 1
else
bank_1_base = 0
bank_0_base = bank_1_max_addr + 1
```

Eight consecutive RAS cycles are performed for each memory bank to “wake up” the DRAMs. This is done by reading from each bank eight times. The caches are disabled at this point so the read transactions go directly to the DRAMs.

Good data parity is ensured by writing all memory locations. This is done by rewriting the full contents of memory with the same data. Reading before writing memory lengthens the time to initialize data parity; however, it conserves the memory state for debugging purposes.

B.1.6 L2 Cache Initialization

These steps initialize L2 cache:

1. Set the BIU_CTL register in the CPU to ignore the L2 cache.
2. Set the general control register in the memory controller to enable the L2 cache while ignoring tag parity.
3. Clear the tag enable register in the memory controller.
4. Sweep the L2 cache with read transactions at cache block increments.
5. Reset the tag enable register with the proper value based on the L2 cache and memory size.
6. Reset the general control register in the memory controller to disable the ignore tag parity bit.
7. Reset the BIU_CTL register in the CPU with the proper value to enable the L2 cache based on CPU speed, and L2 cache size and speed.

When the system is powered up, the L2 cache will contain UNPREDICTABLE data in the tag RAMs. As the L2 cache is swept for initialization, the old blocks (referred to as dirty victim blocks) will be written back to main memory. These victim write transactions will occur based on the tag address that stores the upper part of the address location for the dirty blocks of memory.

Because the tags are UNPREDICTABLE, the victim write transactions could occur to UNPREDICTABLE addresses. Therefore, write transactions to nonexistent memory could be attempted. If this happens, the transaction does not complete and the tag is not updated in the cache.

By clearing the tag enable register, victim write transactions to nonexistent memory are ignored. When the tag enable register is cleared, zero is always stored in the tags. Tags of zero correspond only to the block of memory beginning at zero up to the end of cache. Therefore, to initialize the cache, only that memory range is swept with read transactions. Reading beyond that memory range results in an incorrect tag address being stored.

B.1.7 Flash ROM (System ROM)

The flash ROM, sometimes called the system ROM, is a 1MB, nonvolatile, writable ROM. After the SROM code initializes the Alpha PCI 64-275 system, flash ROM code prepares the system for booting. The flash ROM headers, structure, and access methods are described here.

B.1.7.1 Special Flash ROM Headers

The SROM allows the flash ROM to contain several different ROM images, each with its own header. The header informs the SROM where to load the image, and whether or not it has been compressed. The header is optional for flash ROM containing a single image. If the header does not exist, the 1MB flash ROM is loaded and executed at physical address zero. Figure B-2 shows the header content.

Figure B-2 Special Header Content

31	00
Validation Pattern 5A5AC3C3	00
Inverse Validation Pattern A5A53C3C	04
Header Size (Bytes)	08
Image Checksum	0C
Image Size (Memory Footprint)	10
Decompression Flag	14
Destination Address Lower Longword	18
Destination Address Upper Longword	1C
Reserved<31:16>	20
Firmware ID<15:8>	20
Header Rev<7:0>	20
Flash ROM Image Size	24
Optional Firmware ID<31:0>	28
Optional Firmware ID<63:32>	2C
Header Checksum (excluding this field)	30

LJ04171A.AI5

Table B–6 describes each entry in the special header.

Table B–6 Special Header Entry Descriptions

Entry	Description
Validation and inverse validation pattern	This quadword contains a special signature pattern used to validate that the special ROM header has been located. The pattern is 5A5AC3C3A5A53C3C.
Header size (bytes)	This longword contains the size of the header block, which varies among versions of the header specification. When the the header is located, SROM code determines where the image begins based on the header size. Additional data added to the header will be ignored by older SROM code. A header size of 32 bytes implies version 0 of the header specifications.
Image checksum	This longword is used to verify the integrity of the ROM.
Image size	The image size is used by the SROM code to determine how much of the flash ROM should be loaded.
Decompression flag	The decompression flag informs the SROM code whether the the ROM image was compressed. The SROM code contains routines that execute the decompression algorithm. Other compression and decompression schemes, which work independently from this scheme, may be employed.
Destination address	This quadword contains the destination address for the image. The SROM code will load the image at this address and begin execution.
Header revision	The revision of the header specifications used in this header. This is necessary to provide for changes to the header specification. Version 0 headers are identified by the size of the header (32 bytes).
Flash ROM image size	The flash ROM image size reflects the size of the image as it is contained in the flash ROM.

(continued on next page)

Table B-6 (Cont.) Special Header Entry Descriptions

Entry	Description												
Firmware ID	The firmware ID is a byte that specifies the firmware type. This information facilitates image boot options necessary to boot different operating systems.												
	<table border="1"><thead><tr><th>Firmware Name</th><th>Firmware Type</th><th>Firmware Description</th></tr></thead><tbody><tr><td>Debug monitor</td><td>0</td><td>Alpha motherboard debug monitor</td></tr><tr><td>Windows NT</td><td>1</td><td>Windows NT firmware</td></tr><tr><td>Alpha SRM</td><td>2</td><td>Alpha System Reference Manual console</td></tr></tbody></table>	Firmware Name	Firmware Type	Firmware Description	Debug monitor	0	Alpha motherboard debug monitor	Windows NT	1	Windows NT firmware	Alpha SRM	2	Alpha System Reference Manual console
Firmware Name	Firmware Type	Firmware Description											
Debug monitor	0	Alpha motherboard debug monitor											
Windows NT	1	Windows NT firmware											
Alpha SRM	2	Alpha System Reference Manual console											
Optional firmware ID	This optional field can be used to provide additional firmware information such as firmware revision or a character descriptive string up to 8 characters.												
Header checksum	The checksum of the header. This is used to validate the presence of a header beyond the validation provided by the validation pattern.												

B.1.7.2 Flash ROM Structure

During the power-up and initialization sequence, the Alpha PCI 64-275 will always load the first image if the jumper is not installed (BOOT_OPTION is 0).

If the jumper is installed, the Alpha PCI 64-275 will read the value at location 3F in the TOY RAM. The Alpha PCI 64-275 uses that value found at TOY RAM location 3F to determine which image is selected (see Table B-7). The selected image will be loaded and executed.

Table B-7 Higher 512KB Flash ROM Image Selection

TOY RAM Value ¹	Firmware ID ²	Image Description
00	0	Motherboard debug monitor firmware
01	1	Windows NT firmware ³
02	2	Alpha SRM firmware ³
03	2	Alpha SRM firmware ³
8 <i>n</i>	NA ⁴	SROM code will load the <i>n</i> th image from flash ROM. If <i>n</i> =0, the SROM code loads the entire flash ROM contents. If <i>n</i> =1,2, . . . , the SROM code loads the first image, second image, and so on.

¹Operating system type. Found at TOY RAM address 3F. **Note:** The Alpha PCI 64-275 does not support OpenVMS.

²Found in image header.

³The flash ROM will contain only one of these images.

⁴Not applicable.

If an image is specified and not found, the Alpha PCI 64-275 will load the first image in flash ROM with a valid header. If no valid header is found, the whole 1MB is loaded at address 0000 0000.

The following sections describe how to change the value stored in TOY RAM location 3F by using either the basic debug monitor commands or the `bootopt` debug monitor command.

Changing TOY RAM Location 3F—bootopt Debug Monitor Command

Use the `bootopt debug monitor` command to change the value in location 3F. In the example shown here, the `bootopt` command is used to change the value in location 3F from 0 to 1:¹

```
AlphaPC64> bootopt ❶
Predefined bootoptions are...
"0" "Alpha Evaluation Board Debug Monitor" "DBM"
"1" "The Windows NT Operating System" "NT"
"2" "OpenVMS" "VMS"
"3" "DEC OSF/1" "OSF"

O/S type selected: "Alpha Evaluation Board Debug Monitor"
...Firmware type: "DBM Firmware"

AlphaPC64> bootopt nt ❷
O/S type selected: "The Windows NT Operating System"
...Firmware type: "Windows NT Firmware"

AlphaPC64> bootopt ❸
Predefined bootoptions are...
"0" "Alpha Evaluation Board Debug Monitor" "DBM"
"1" "The Windows NT Operating System" "NT"
"2" "OpenVMS" "VMS"
"3" "DEC OSF/1" "OSF"

O/S type selected: "The Windows NT Operating System"
...Firmware type: "Windows NT Firmware"

AlphaPC64>
```

Note

On some motherboard systems, “DEC OSF/1” may appear as “Digital UNIX”.

- ❶ Use the debug monitor `bootopt` command to see the image choices and note which image is selected.
- ❷ Use the debug monitor `bootopt nt` command to change the selected image from 0 to 1.
- ❸ Use the debug monitor `bootopt` command to verify that the selected image has changed from 0 to 1.

¹ The Alpha PCI 64-275 uses the same firmware as the AlphaPC64, so the firmware prompts appear as `AlphaPC64>`.

B.1.7.3 Flash ROM Access

The flash ROM can be viewed as two banks of 512KB each. At power-up the lower 512KB bank is accessed using the address range 3 FFF8 0000 to 3 FFFF FFFF.

Setting address bit 19 will allow you to access the higher 512KB of flash ROM. Write a 1 to the register at address 800 to set address bit 19. Manually deposit a 1 to address 1 C001 0000 or enter the following command from the debug monitor:

```
> wb 800 1
```

The address range for the higher bank is 3 FFF8 0000 to 3 FFFF FFFF, the same as for the lower bank. Access is now to the higher bank and will continue until the Alpha PCI 64-275 is reset or a 0 is written to the register at address 800.

Note

The update-enable jumper must be installed from pin J16-2 to pin J16-3 to enable writing to the flash ROM. See connector J16 in Table 2-3.

B.1.8 Icache Flush Code

The following code is loaded into memory after the flash ROM image. It is then executed to flush the SROM initialization code from the Icache. The SROM initialization code is loaded into the Icache, and it maps to memory beginning at address zero.

```
77FF0055 mt r31, flushIc
C0000001 br r0, +4
    .long destination
6C008000 ldl_p r0, 0x0 (r0)
47FF041F bis r31, r31, r31
47FF041F bis r31, r31, r31
47FF041F bis r31, r31, r31
47FF041F bis r31, r31, r31
47FF041F bis r31, r31, r31
47FF041F bis r31, r31, r31
47FF041F bis r31, r31, r31
6BE00000 jmp r31, (r0)
```

In an attempt to transfer execution to the first page in memory, execution would continue in the SROM initialization code at that address. Therefore, execution must be transferred to some address that does not hit in the Icache where other code can flush the Icache.

The NOPS following the Icache flush allow the instructions that were fetched before the Icache was updated to be cleared from the pipeline. Execution will ultimately continue at the address contained in r0. At this point r0 contains the starting address where the flash ROM image was loaded into memory.

B.1.9 Alpha PCI 64-275 Configuration Jumpers

The memory controller provides presence detect registers that contain the state of the presence detect pins at reset. These pins reflect the SIMM presence detect signals and the software configuration jumpers. Refer to Appendix A.

The software configuration jumpers are completely programmable. The SROM code defines the software configuration jumpers, **sp_bit<7:0>**, as shown in Figure 2-2 and defined in Table 2-1.

C

PCI Address Maps

This appendix provides the Alpha PCI 64-275 PCI operating register address space maps.

C.1 PCI Interrupt Acknowledge/Special Cycle Address Space

The PCI interrupt acknowledge/special cycle address space comprises an address range from 1 B000 0000 through 1 BFFF FFFF.

C.2 PCI Sparse I/O Address Space

The PCI sparse I/O address space ranges from 1 C000 0000 to 1 DFFF FFFF. The PCI operating register set occupies this space.

C.3 SIO PCI-to-ISA Bridge Operating Register Address Space

Table C-1 is a map of the Saturn IO (SIO) chip PCI-to-ISA bridge operating address space.

Table C-1 SIO PCI-to-ISA Bridge Operating Register Address Space Map

Offset	Address	Register
000	1 C000 0000	DMA1 CH0 base and current address register
001	1 C000 0020	DMA1 CH0 base and current count register
002	1 C000 0040	DMA1 CH1 base and current address register
003	1 C000 0060	DMA1 CH1 base and current count register
004	1 C000 0080	DMA1 CH2 base and current address register
005	1 C000 00A0	DMA1 CH2 base and current count register
006	1 C000 00C0	DMA1 CH3 base and current address register

(continued on next page)

Table C-1 (Cont.) SIO PCI-to-ISA Bridge Operating Register Address Space Map

Offset	Address	Register
007	1 C000 00E0	DMA1 CH3 base and current count register
008	1 C000 0100	DMA1 status and command register
009	1 C000 0120	DMA1 write request register
00A	1 C000 0140	DMA1 write single mask bit register
00B	1 C000 0160	DMA1 write mode register
00C	1 C000 0180	DMA1 clear byte pointer register
00D	1 C000 01A0	DMA1 master clear register
00E	1 C000 01C0	DMA1 clear mask register
00F	1 C000 01E0	DMA1 read/write all mask register bits register
020	1 C000 0400	INT 1 control register
021	1 C000 0420	INT 1 mask register
040	1 C000 0800	Timer counter 1—counter 0 count register
041	1 C000 0820	Timer counter 1—counter 1 count register
042	1 C000 0840	Timer counter 1—counter 2 count register
043	1 C000 0860	Timer counter 1—command mode register
060	1 C000 0C00	Reset utility bus IRQ12 register
061	1 C000 0C20	NMI status and control register
070	1 C000 0E00	CMOS RAM address and NMI mask register
078-07B	1 C000 0F18	BIOS timer register
080	1 C000 1000	DMA page register reserved
081	1 C000 1020	DMA channel 2 page register
082	1 C000 1040	DMA channel 3 page register
083	1 C000 1060	DMA channel 1 page register
084	1 C000 1080	DMA page register reserved
085	1 C000 10A0	DMA page register reserved
086	1 C000 10C0	DMA page register reserved
087	1 C000 10E0	DMA channel 0 page register
088	1 C000 1100	DMA page register reserved

(continued on next page)

Table C-1 (Cont.) SIO PCI-to-ISA Bridge Operating Register Address Space Map

Offset	Address	Register
089	1 C000 1120	DMA channel 6 page register
08A	1 C000 1140	DMA channel 7 page register
08B	1 C000 1160	DMA channel 5 page register
08C	1 C000 1180	DMA page register reserved
08D	1 C000 11A0	DMA page register reserved
08E	1 C000 11C0	DMA page register reserved
08F	1 C000 11E0	DMA low page register refresh
090	1 C000 1200	DMA page register reserved
092	1 C000 1240	Port 92 register
094	1 C000 1280	DMA page register reserved
095	1 C000 12A0	DMA page register reserved
096	1 C000 12C0	DMA page register reserved
098	1 C000 1300	DMA page register reserved
09C	1 C000 1380	DMA page register reserved
09D	1 C000 13A0	DMA page register reserved
09E	1 C000 13C0	DMA page register reserved
09F	1 C000 13E0	DMA low page register refresh
0A0	1 C000 1400	INT2 control register
0A1	1 C000 1420	INT2 mask register
0C0	1 C000 1800	DMA2 CH0 base and current address register
0C2	1 C000 1840	DMA2 CH0 base and current count register
0C4	1 C000 1880	DMA2 CH1 base and current address register
0C6	1 C000 18C0	DMA2 CH1 base and current count register
0C8	1 C000 1900	DMA2 CH2 base and current address register
0CA	1 C000 1940	DMA2 CH2 base and current count register
0CC	1 C000 1980	DMA2 CH3 base and current address register
0CE	1 C000 19C0	DMA2 CH3 base and current count register
0D0	1 C000 1A00	DMA2 status and command register

(continued on next page)

Table C-1 (Cont.) SIO PCI-to-ISA Bridge Operating Register Address Space Map

Offset	Address	Register
0D2	1 C000 1A40	DMA2 write request register
0D4	1 C000 1A80	DMA2 write single mask bit register
0D6	1 C000 1AC0	DMA2 write mode register
0D8	1 C000 1B00	DMA2 clear byte pointer register
0DA	1 C000 1B40	DMA2 master clear register
0DC	1 C000 1B80	DMA2 clear mask register
0DE	1 C000 1BC0	DMA2 read/write all mask register bits
0F0	1 C000 1E00	Coprocessor error register
372	1 C000 6E40	Secondary floppy disk digital output register
3F2	1 C000 7E40	Primary floppy disk digital output register
40A	1 C000 8140	Scatter-gather interrupt status register
40B	1 C000 8160	DMA1 extended mode register
410	1 C000 8200	CH0 scatter-gather command register
411	1 C000 8220	CH1 scatter-gather command register
412	1 C000 8240	CH2 scatter-gather command register
413	1 C000 8260	CH3 scatter-gather command register
415	1 C000 82A0	CH5 scatter-gather command register
416	1 C000 82C0	CH6 scatter-gather command register
417	1 C000 82E0	CH7 scatter-gather command register
418	1 C000 8300	CH0 scatter-gather status register
419	1 C000 8320	CH1 scatter-gather status register
41A	1 C000 8340	CH2 scatter-gather status register
41B	1 C000 8360	CH3 scatter-gather status register
41D	1 C000 83A0	CH5 scatter-gather status register
41E	1 C000 83C0	CH6 scatter-gather status register
41F	1 C000 83E0	CH7 scatter-gather status register
420-423	1 C000 8418	CH0 scatter-gather descriptor table pointer register
424-427	1 C000 8498	CH1 scatter-gather descriptor table pointer register

(continued on next page)

Table C–1 (Cont.) SIO PCI-to-ISA Bridge Operating Register Address Space Map

Offset	Address	Register
428–42B	1 C000 8518	CH2 scatter-gather descriptor table pointer register
42C–42F	1 C000 8598	CH3 scatter-gather descriptor table pointer register
434–437	1 C000 8698	CH5 scatter-gather descriptor table pointer register
438–43B	1 C000 8718	CH6 scatter-gather descriptor table pointer register
43C–43F	1 C000 8798	CH7 scatter-gather descriptor table pointer register
481	1 C000 9020	DMA CH2 high page register
482	1 C000 9040	DMA CH3 high page register
483	1 C000 9060	DMA CH1 high page register
487	1 C000 90E0	DMA CH0 high page register
489	1 C000 9120	DMA CH6 high page register
48A	1 C000 9140	DMA CH7 high page register
48B	1 C000 9160	DMA CH5 high page register
4D6	1 C000 9AC0	DMA2 extended mode register

C.4 PCI Configuration Address Space

The PCI configuration address space comprises an address range from 1 E000 0000 through 1 FFFF FFFF. The PCI configuration register set occupies this space. Table C–2 identifies the PCI devices and the corresponding PCI address bit that drives the device **idsel** pin.

Table C–2 Address Bits and PCI Device idsel Pins

PCI Device	PCI Address Bit Driving idsel Pin	Physical Address
Slot 2	pci_ad<16>	1 E005 0000
PCI expansion slot 0	pci_ad<17>	1 E006 0000
PCI expansion slot 1	pci_ad<18>	1 E007 0000
Saturn IO (SIO)	pci_ad<19>	1 E008 0000
Slot 3	pci_ad<20>	1 E009 0000

C.5 SIO PCI-to-ISA Bridge Configuration Address Space

Table C-3 is a map of SIO PCI-to-ISA bridge configuration address space. PCI address bit **pci_ad19** drives the **idsel** chip select pin for access to the configuration register space.

Table C-3 SIO PCI-to-ISA Bridge Configuration Address Space Map

Offset	Address	Register
00-01	1 E008 0008	Vendor ID register
02-03	1 E008 0048	Device ID register
04-05	1 E008 0088	Command register
06-07	1 E008 00C8	Device status register
08	1 E008 0100	Revision ID register
40	1 E008 0800	PCI control register
41	1 E008 0820	PCI arbiter control register
42	1 E008 0840	PCI arbiter priority control register
44	1 E008 0880	MEMCS# control register
45	1 E008 08A0	MEMCS# bottom of hole register
46	1 E008 08C0	MEMCS# top of hole register
47	1 E008 08E0	MEMCS# top of memory register
48	1 E008 0900	ISA address decoder control register
49	1 E008 0920	ISA address decoder ROM block enable register
4A	1 E008 0940	ISA address decoder bottom of hole register
4B	1 E008 0960	ISA address decoder top of hole register
4C	1 E008 0980	ISA controller recovery timer register
4D	1 E008 09A0	ISA clock divisor register
4E	1 E008 09C0	Utility bus chip select enable A register
4F	1 E008 09E0	Utility bus chip select enable B register
54	1 E008 0A80	MEMCS# attribute register #1
55	1 E008 0AA0	MEMCS# attribute register #2
56	1 E008 0AC0	MEMCS# attribute register #3
57	1 E008 0AE0	Scatter-gather relocation base address register

(continued on next page)

Table C-3 (Cont.) SIO PCI-to-ISA Bridge Configuration Address Space Map

Offset	Address	Register
80-81	1 E08 1008	BIOS timer base address register

C.6 PCI Sparse Memory Address Space

The PCI sparse memory address space comprises an address range from 2 0000 0000 through 2 7FFF FFFF.

C.7 PCI Dense Memory Address Space

The PCI dense memory address space comprises an address range from 3 0000 0000 through 3 FFFF FFFF.

C.8 PC87312 Combination Controller Register Address Space

Table C-4 lists the base address values for the PC87312 combination diskette, serial port, and parallel port controller.

The general registers are located at addresses 398 (index address) and 399 (data address). For example, writing an index value of 1 to address 398 selects the function address register. If a read transaction from address 399 follows, the data associated with the function address register is returned. If a write transaction to address 399 follows, the function address register will be updated.

Table C-4 PC87312 Combination Controller Register Address Space Map

Address Offset Read/Write	Physical Address	Register
General Registers		
398	1 C000 7300	Index address register
399	1 C000 7320	Data address register
	Index	Register
	0	Function enable register
	1	Function address register
	2	Power and test register
COM2 Serial Port Registers		
2F8-R 0DLAB=0	1 C000 5F00	COM2 receiver buffer register
2F8-W 0DLAB=0	1 C000 5F00	COM2 transmitter holding register
2F8 0DLAB=1	1 C000 5F00	COM2 divisor latch register (LSB)
2F9 1DLAB=0	1 C000 5F20	COM2 interrupt enable register
2F9 1DLAB=1	1 C000 5F20	COM2 divisor latch register (MSB)
2FA-R	1 C000 5F40	COM2 interrupt identification register
2FA-W	1 C000 5F40	COM2 FIFO control register
2FB	1 C000 5F60	COM2 line control register
2FC	1 C000 5F80	COM2 modem control register
2FD	1 C000 5FA0	COM2 line status register
2FE	1 C000 5FC0	COM2 modem status register
2FF	1 C000 5FE0	COM2 scratch pad register

(continued on next page)

Table C–4 (Cont.) PC87312 Combination Controller Register Address Space Map

Address Offset Read/Write	Physical Address	Register
Diskette Registers		
3F0-R	1 C000 7E00	Status A register
3F1-R	1 C000 7E20	Status B register
3F2-R/W	1 C000 7E40	Digital output register
3F3-R/W	1 C000 7E60	Tape drive register
3F4-R	1 C000 7E80	Main status register
3F4-W	1 C000 7E80	Data rate select register
3F5-R/W	1 C000 7EA0	Data (FIFO) register
3F6	1 C000 7EC0	None (tristate bus)
3F7-R	1 C000 7EE0	Digital input register
3F7-W	1 C000 7EE0	Configuration control register
COM1 Serial Port Registers		
3F8-R 0DLAB=0	1 C000 7F00	COM1 receiver buffer register
3F8-W 0DLAB=0	1 C000 7F00	COM1 transmitter holding register
3F8 0DLAB=1	1 C000 7F00	COM1 divisor latch register (LSB)
3F9 1DLAB=0	1 C000 7F20	COM1 interrupt enable register
3F9 1DLAB=1	1 C000 7F20	COM1 divisor latch register (MSB)
3FA-R	1 C000 7F40	COM1 interrupt identification register
3FA-W	1 C000 7F40	COM1 FIFO control register
3FB	1 C000 7F60	COM1 line control register
3FC	1 C000 7F80	COM1 modem control register
3FD	1 C000 7FA0	COM1 line status register
3FE	1 C000 7FC0	COM1 modem status register
3FF	1 C000 7FE0	COM1 scratch pad register

(continued on next page)

Table C–4 (Cont.) PC87312 Combination Controller Register Address Space Map

Address Offset Read/Write	Physical Address	Register
Parallel Port Registers		
3BC-R/W	1 C000 7780	Data register
3BD-R	1 C000 77A0	Status register
3BE-R/W	1 C000 77C0	Control register
3BF	1 C000 77E0	None (tristate bus)

Table C–5 Integrated Device Electronics (IDE) Register Addresses

Address Offset	Physical Address	Read Function	Write Function
1F0	1 C000 3E00	Data	Data
1F1	1 C000 3E20	Error	Features (write precomp)
1F2	1 C000 3E40	Sector count	Sector count
1F3	1 C000 3E60	Sector number	Sector number
1F4	1 C000 3E80	Cylinder low	Cylinder low
1F5	1 C000 3EA0	Cylinder high	Cylinder high
1F6	1 C000 3EC0	Drive/head	Drive/head
1F7	1 C000 3EE0	Status	Command
3F6	1 C000 7EC0	Alternate status	Device control
3F7	1 C000 7EE0	Drive address	Not used

C.9 Utility Bus Device Address

Table C–6 shows the decoding for utility bus (Ubus) devices driven from the SIO bridge.

Table C-6 Utility Bus Device Decode

Device Address Select Bits				Device Select Signal	Device Selected	Address Decode
ecsen_l	ecasaddr_2	ecasaddr_1	ecasaddr_0			
0	0	0	0	rtcale_l	TOY address	70, 72, 74, 76
0	0	0	1	rtccs_l	TOY data	71, 73, 75, 77
0	0	1	0	kbcsl	Mouse/Keyboard enable	60, 62, 64, 66
0	0	1	1	flashcs_l	flash ROM enable ¹	—
0	1	0	0	—	Unused	—
0	1	0	1	—	Unused	—
0	1	1	0	—	Unused	—
0	1	1	1	—	Unused	—
1	0	0	0	—	Unused	—
1	0	0	1	—	Unused	—
1	0	1	0	—	Unused	—
1	0	1	1	—	Unused	—
1	1	0	0	—	Unused	—
1	1	0	1	—	Unused	—
1	1	1	0	—	Unused	—
1	1	1	1	—	Unused	—

¹The encoded chip select signal for **flashcs_l** will always be generated for accesses to the upper 64KB (at the top of 1MB, F0000–FFFFF) and its aliases (at the top of the 4GB and 4GB–1MB).

Access to the lower 64KB (E0000–EFFFF) and its aliases (at the top of the 4GB and 4GB–1MB) can be enabled or disabled through the SIO.

An additional 384KB of BIOS memory (at the top of 4GB, FFFD0000–FFFDFFFF) can be enabled for BIOS use.

Only one half of the 1MB flash ROM may be accessed at one time. The signal **flash_adr19** selects the half as follows:

- flash_adr19** = 0 selects the lower 512KB of flash ROM.
- flash_adr19** = 1 selects the higher 512KB of flash ROM.

C.10 Interrupt Control PLD Addresses

Table C-7 lists the registers and memory addresses for the interrupt control PLD.

Table C-7 Interrupt Control PLD Addresses

Offset	Physical Address	Register
804	1 C001 0080	Interrupt status/interrupt mask register 1
805	1 C001 00A0	Interrupt status/interrupt mask register 2
806	1 C001 00C0	Interrupt status/interrupt mask register 3

C.11 8242PC Keyboard and Mouse Controller Addresses

Table C-8 lists the register and memory addresses for the keyboard/mouse controller.

Table C-8 Keyboard and Mouse Controller Addresses

Offset	Physical Address	Register
60-R	1 C000 0C00	Auxiliary/keyboard data
60-W	1 C000 0C00	Command data
64-R	1 C000 0C80	Read status
64-W	1 C000 0C80	Command

C.12 Time-of-Year Clock Device Addresses

Table C-9 lists the register and memory addresses for the time-of-year (TOY) clock device. The TOY clock register is accessed by writing to address 70 with the latched index. Then, reading from or writing to address 71 reads or writes the register. For example, writing an 8 to address 70 followed by a read transaction from address 71 returns the value of the month. Writing a 4 to address 70 followed by a write transaction to address 71 updates the hour register.

Table C–9 Time-of-Year Clock Device Addresses

Offset	Index Latched	Physical Address	Register
70	0	1 C000 0E00	Seconds
70	1	1 C000 0E00	Seconds alarm
70	2	1 C000 0E00	Minutes
70	3	1 C000 0E00	Minutes alarm
70	4	1 C000 0E00	Hour
70	5	1 C000 0E00	Hour alarm
70	6	1 C000 0E00	Day of week
70	7	1 C000 0E00	Day of month
70	8	1 C000 0E00	Month
70	9	1 C000 0E00	Year
70	A	1 C000 0E00	Register A
70	B	1 C000 0E00	Register B
70	C	1 C000 0E00	Register C
70	D	1 C000 0E00	Register D
71	—	1 C000 0E20	TOY clock chip select

C.13 Flash ROM

This section describes the following flash ROM topics:

- Segment selection
- Address range
- Configuration registers
- Memory map

C.13.1 Flash Memory Segment Select Register

Table C–10 lists the register address for the flash ROM. The flash ROM is partitioned into two 512KB segments. Write a value of 0 to ISA address 800 to select the lower 512KB. Write a value of 1 to ISA address 800 to select the higher 512KB. This register is write-only.

Table C–10 Flash Memory Segment Select Register

Offset	Physical Address	Register
800	1 C001 0000	Flash segment select

C.13.2 Flash Memory Addresses

Table C–11 lists the address range for the flash ROM.

Table C–11 Flash Memory Addresses (Within Segment)

Offset	Physical Address	Capacity
0 0000—7 FFFF	3 FFF8 0000—3 FFFF FFFF	512KB

C.13.3 Flash ROM Configuration Registers

Table C–12 lists the configuration registers for the Intel 28F008SA 1MB flash ROM. A read transaction is simple and is performed by reading from the appropriate address; however, to write data, the flash ROM must first be erased. The structure of the flash ROM allows only the flash ROM to be erased in 64KB blocks. See Section C.13.4.

In order to change 1 byte, the following steps must be completed:

1. Read the whole 64KB block into memory.
2. Change the desired byte in memory.
3. Erase the 64KB block in flash ROM.
4. Write the whole 64KB block from memory to the flash ROM.

Table C–12 Flash ROM Configuration Registers

Offset	Data Written on First Access	Register
X ¹	FF	Read array/reset register
X	90	Intelligent identifier register
X	70	Read status register
X	50	Clear status register
BA ²	20	Erase setup/confirm register
X	B0	Erase suspend/resume register
WA ³	40	Byte write setup/write register
WA	10	Alternate byte write setup/write register

¹X = Any byte within the flash ROM address range.

²BA = Target address within the block being erased.

³WA = Target address of write transaction to memory.

All accesses to flash ROM (except for read transactions) require two bus cycles. During the first cycle, register data is written to set up the registers. During the second cycle, the read or write transaction performs the operation desired. For more information about reading, erasing, and writing the flash ROM, see the Intel *Flash Memory* document.

Accessing the flash ROM registers requires byte access, which is only possible through use of PCI sparse memory space. The Alpha PCI 64-275 flash ROM resides in PCI memory address range FFF8 0000 to FFFF FFFF. See Section 4.1.8 for information about accessing this address range through sparse memory space.

C.13.4 Flash ROM Memory Map

There are eight blocks in each bank of flash ROM memory. Table C–13 lists the address ranges of the blocks.

Table C–13 Memory Map of Flash Memory

Offset	Physical Address	Block Number¹	Capacity
0 0000– 0 FFFF	3 FFF8 0000– 3 FFF8 FFFF	0,8	64KB
1 0000– 1 FFFF	3 FFF9 0000– 3 FFF9 FFFF	1,9	64KB
2 0000– 2 FFFF	3 FFFA 0000– 3 FFFA FFFF	2,10	64KB
3 0000– 3 FFFF	3 FFFB 0000– 3 FFFB FFFF	3,11	64KB
4 0000– 4 FFFF	3 FFFC 0000– 3 FFFC FFFF	4,12	64KB
5 0000– 5 FFFF	3 FFFD 0000– 3 FFFD FFFF	5,13	64KB
6 0000– 6 FFFF	3 FFFE 0000– 3 FFFE FFFF	6,14	64KB
7 0000– 7 FFFF	3 FFFF 0000– 3 FFFF FFFF	7,15	64KB

¹Block is determined by the value in the flash memory segment select register. See Section C.13.1.

D

Technical Support and Documentation Ordering Information

D.1 Technical Support

If you need technical support with your Alpha PCI Motherboard, contact your local Digital representative. Please provide your local representative with the model number and if possible a brief description of the problem you are encountering.

Additional technical documentation is available from Digital on the major Digital semiconductor components used on your PCI Motherboard. A complete list of these documents can be obtained from your local representative.

And be sure to visit Digital Equipment's home page at UIC:

<http://www.digital.com>

Select the Semiconductor InfoCenter for pointers to relevant technical documentation.

D.2 Ordering Associated Literature

The following table lists some of the literature available from Digital. For a complete list, contact your Digital representative.

Title	Order Number
Alpha 21064A-233, -275 Microprocessor Data Sheet	EC-QFGKA-TE
Alpha 21064 and Alpha 21064A Microprocessors Hardware Reference Manual	EC-Q9ZUB-TE
DECchip 21071 and DECchip 21072 Core Logic Chipsets Data Sheet	EC-QAEMA-TE
PALcode for Alpha Microprocessors System Design Guide	EC-QFGLB-TE
Designing a Memory/Cache Subsystem for the DECchip 21064 Microprocessor: An Application Note	EC-N0301-72
Designing a System with the DECchip 21064 Microprocessor: An Application Note	EC-N0107-72
Alpha PCI 64-275 documentation set	EK-AL275-DK
<i>Alpha Microprocessors Motherboard Debug Monitor User's Guide</i>	
<i>Alpha Microprocessors SRAM Mini-Debugger User's Guide</i>	
<i>Alpha PCI 64-275 User's Manual</i>	
<i>Alpha PCI 64-275 User's Guide</i>	
<i>Alpha PCI 64-275 Microsoft Windows NT Installation Guide</i>	

D.3 Ordering Third-Party Documentation

You can order the following documentation directly from the vendor:

Documentation	Order Number
82420/82430 PCIset ISA and EISA Bridges (includes 82378ZB SIO)	Intel No 290483
PC87311/PC87312 (Super I/O™ II/III) Floppy Disk Controller with Dual UARTs, Parallel Port, and IDE Interface	National Semiconductor No 11362
UPI-41AH/42AH Universal Peripheral Interface 8-Bit Slave Microcontroller	Intel No 210393
Peripheral Components	Intel No 296467
Flash Memory	Intel No 210830
PCI Local Bus Specification	Contact PCI Special Interest Group
PCI System Design Guide	Contact PCI Special Interest Group

Vendor Addresses

Intel Corporation
2200 Mission College Boulevard
PO Box 58119
Santa Clara, CA 95052-8119
<http://www.intel.com>

National Semiconductors
2900 Semiconductor Drive
PO Box 58090
Santa Clara, CA 95052-8090
<http://www.national.com>

PCI Special Interest Group
M/S HF3-15A
5200 NE Elam Young Parkway
Hillsboro, OR 97124-6497
(503) 696-2000
<http://www.teleport.com/~pc2/pcisigindex.html>

Index

21071-BA

- functional description, 3–20
 - BA error checking, 3–22
 - DMA write buffer, 3–22
 - epiData bus, 3–21
 - I/O read and merge buffer, 3–21
 - I/O write and DMA read buffer, 3–21
 - memData bus, 3–21
 - memory read buffer, 3–21
 - memory write buffer, 3–22
 - sysData bus, 3–20
- overview, 3–7

21071-CA

- CSR descriptions, A–1 to A–25
 - See also specific register entries*
- CSR space, 4–5

- functional description, 3–8
 - address decoding, 3–10
 - CA error handling, 3–10
 - L2 cache control, 3–9
 - sysBus arbitration, 3–9
 - sysBus controller, 3–10
 - sysBus interface, 3–8

- overview, 3–2

21071-DA

- CSR descriptions, A–25 to A–40
 - See also specific register entries*

- CSR space, 4–7
- functional description, 3–13
 - PCI interface, 3–14
 - sysBus interface, 3–14

- overview, 3–4

A

- Address decode, 3–14
- Address decoding, 3–10
- Address map
 - bridge
 - configuration registers, C–6
 - operating registers, C–1
 - IDE register, C–10
 - operating registers, C–1
 - PC87312 registers, C–7, C–8
 - physical, C–1
 - Saturn IO chip
 - configuration registers, C–6
 - operating registers, C–1
 - utility bus decode, C–10
- Address radix, xv
- Address space
 - PCI configuration, C–5
 - PCI dense memory, C–7
 - PCI I/O, C–1
 - PCI interrupt acknowledge/special cycle, C–1
 - PCI sparse memory, C–7
- Address stepping in configuration cycles, 3–17
- Alpha documentation, D–2
- Alpha PCI 64-275 introduction, 1–1
- Arbitration
 - PCI, 3–29
 - scheme, 3–32
- Associated literature, D–2

B

- BA error checking, 3-22
- Bank set timing register A, A-18
- Bank set timing register B, A-18
- Base address registers, A-13
- BC_SIZE<2:0> jumpers, 2-4
- BC_SPEED<2:0> jumpers, 2-4
- Bit notation, xvii
- Board
 - connectors, 2-8
 - parameters, 5-1, 5-2
- Board configuration, 2-1
- Board connectors, 2-6
- Board layout, 1-6
- Board overview, 1-1
- Board reset connector, 2-12
- Board uses, 1-6
- BOOT_OPTION jumper, 2-3
- Bridge
 - See* SIO PCI-to-ISA bridge

C

- CA error handling, 3-10
- Cacheable memory space, 4-4
- Cautions, xvii
- Chipset overview, 3-1
 - DECchip 21071-BA, 3-7
 - DECchip 21071-CA, 3-2
 - DECchip 21071-DA, 3-4
- Chipset support, 1-2
- Clock subsystem, 3-24
 - 14.3-MHz and 24-MHz clocks, 3-28
 - clock distribution, 3-25
 - system clock, 3-25
 - TriQuint PLL clock frequencies, 3-24
 - TriQuint PLL clock oscillator, 3-24
- Clock subsystem overview, 1-4
- COM1 connector, 2-9
- COM2 connector, 2-9
- Combination controller, 3-35

- Components, 1-1
- Configuration registers, A-14
- Connectors
 - board reset, 2-12
 - COM1, 2-9
 - COM2, 2-9
 - CPU fan, 2-11
 - disk access LED, 2-12
 - DRAM SIMM, 2-9
 - Enclosure fan, 2-12
 - IDE, 2-9
 - key lock, 2-12
 - keyboard, 2-8
 - mouse, 2-8
 - parallel port, 2-9
 - part numbers, 2-13
 - power, 2-10
 - power LED, 2-12
 - speaker, 2-12
 - SROM test, 2-9
- CPU clock divisor jumpers, 2-6
- CPU fan connector, 2-11
- CPU-to-PCI address space, 4-1

D

- Data coherency, 3-17
- Data units, xvii
- dc power distribution, 3-38
 - See also* Power requirements
- Deadlock resolution, 3-18
- Debug and monitor code
 - serial ROM code, 3-40
- Debug and monitor ROM
 - system support, 1-5
- DECchip 21071-BA chip
 - See* 21071-BA
- DECchip 21071-CA chip
 - See* 21071-CA
- DECchip 21071-DA chip
 - See* 21071-DA
- DECchip 21072 chipset
 - See* Chipset overview

Diagnostic control and status register, A-26
Disk access LED connector, 2-12
Diskette drive
 connector, 2-9
DMA address translation, 3-14
DMA read buffer, 3-15
DMA write buffer, 3-15, 3-22
Document conventions, xiv
 extents, xv
 numbering, xiv
 ranges, xv
Documentation, D-2
DRAM
 SIMM connectors, 2-9
Dummy registers 1 through 3, A-25

E

Enclosure fan connector, 2-12
Environmental characteristics, 5-2
epiBus data path, 3-22
epiData bus, 3-21
Error and diagnostic status register, A-4
Error handling, 3-23
Error high address register, A-9
Error low address register, A-9
Extents, xv

F

Fan connectors
 CPU, 2-11
 enclosure, 2-12
Features, 1-1
Flash ROM, 3-42, B-10
 access, B-15
 address bit 19, B-15
 banks, B-12
 enable/disable jumpers, 2-5
 header content, B-10
 higher bank image selection, B-12
 jumper, 2-5
 operating systems, 3-42
 special headers, B-10
 structure, B-12

Flash ROM (cont'd)
 TOY RAM location 3F, B-13
 update-enable jumper, B-15

G

General control register, A-1
Global timing register, A-23
Graphics interface, 3-33
Guaranteed access-time mode, 3-19

H

Handling errors with error address register
 locked, 3-23
Hardware configuration jumpers, 2-5
Host address extension register 0, A-35
Host address extension register 1, A-35
Host address extension register 2, A-37

I

I/O read and merge buffer, 3-21
I/O read data buffering, 3-14
I/O space address map, C-1
I/O write and DMA read buffer, 3-21
I/O write transaction buffering, 3-14
IDE
 connector, 2-9
IDE register address map, C-10
idsel pin select, C-5
Initialization, 3-38
Intel Saturn IO chip
 See SIO chip
Interrupt control, 3-29
Interrupt control and PCI arbitration logic,
 3-29
Interrupt mask registers, 3-32
Interrupt scheme, 3-29
Interrupts, 3-19
ISA
 slots, 2-8
ISA arbitration, 3-32

ISA devices, 3–34
 combination controller, 3–34, 3–35
 ISA expansion slots, 3–37
 time-of-year clock, 3–36
 utility bus memory devices, 3–36
ISA expansion slots, 3–37
ISA interface overview, 1–4

J

Jumpers
 BC_SIZE<2:0>, 2–4
 BC_SPEED<2:0>, 2–4
 BOOT_OPTION, 2–3
 CPU clock divisor, 2–6
 flash ROM, 2–5
 L2 cache address, 2–5
 MINI_DEBUG, 2–4
 sp_bit6, 2–4
 sp_bit7, 2–3
 sp_bit<2:0>, 2–4
 sp_bit<5:3>, 2–4

K

Key lock connector, 2–12
Keyboard connector, 2–8

L

L2 cache
 address jumper, 2–5
 control, 3–9
 SIMM slots, 2–8
 subsystem, 1–4
LDX_L high address register, A–10
LDX_L low address register, A–10
Level 2 cache
 See L2 cache
Literature, D–2

M

memData bus, 3–21
Memory address generation, 3–11
Memory and register contents radix, xv
Memory control registers, A–11 to A–25
 bank set timing register A, A–18
 bank set timing register B, A–18
 base address registers, A–13
 configuration registers, A–14
 global timing register, A–23
 presence detect high-data register, A–13
 presence detect low-data register, A–12
 refresh timing register, A–24
 video frame pointer register, A–11
Memory controller, 3–11
 memory address generation, 3–11
 memory organization, 3–11
 memory page mode support, 3–11
 presence detect logic, 3–12
 programmable memory timing, 3–12
 read latency minimization, 3–11
 transaction scheduler, 3–12
Memory figures, xv
Memory organization, 3–11
Memory page mode support, 3–11
Memory read buffer, 3–21
Memory subsystem, 1–2
Memory write buffer, 3–22
MINI_DEBUG jumper, 2–4
Mouse connector, 2–8
Must be zero, xv

N

Noncacheable memory space, 4–4
Numbering, xiv

O

Operating systems, 3–42
 debug and monitor code, 3–42
 serial ROM code, 3–40
 software support, 1–5
 system software, 3–40

P

- PAL control set, 1–2
- Parallel port connector, 2–9
- Parameters, 5–1, 5–2
- PC87312 register address map, C–7, C–8
- PCI
 - arbitration, 3–29, 3–32
 - configuration address space, C–5
 - dense memory address space, C–7
 - input/output address space, C–1
 - interrupt acknowledge/special cycle address space, C–1
 - slots, 2–8
 - sparse memory address space, C–7
- PCI base register 1, A–33
- PCI base register 2, A–33
- PCI burst length and prefetching, 3–15
- PCI burst order, 3–16
- PCI bus parking, 3–16
- PCI configuration space, 4–12
- PCI dense memory space, 4–18
- PCI devices, 3–33
 - Intel Saturn IO chip, 3–33
 - PCI expansion slots, 3–33
 - PCI graphics interface, 3–33
- PCI error address register, A–31
- PCI exclusive access, 3–16
- PCI expansion slots, 3–33
- PCI graphics interface, 3–33
- PCI interface, 3–14
 - address stepping in configuration cycles, 3–17
 - DMA address translation, 3–14
 - DMA read buffer, 3–15
 - DMA write buffer, 3–15
 - PCI burst length and prefetching, 3–15
 - PCI burst order, 3–16
 - PCI bus parking, 3–16
 - PCI exclusive access, 3–16
 - PCI master timeout, 3–17
 - PCI parity support, 3–16
 - PCI retry timeout, 3–17
 - PCI interface overview, 1–4
 - PCI interrupt acknowledge/special cycle, 4–8
 - PCI interrupt logic, 3–29
 - PCI mask register 1, A–34
 - PCI mask register 2, A–34
 - PCI master latency timer register, A–38
 - PCI master timeout, 3–17
 - PCI parity support, 3–16
 - PCI retry timeout, 3–17
 - PCI sparse I/O space, 4–9
 - PCI sparse space, 4–15
 - PCI-to-physical memory addressing, 4–19
- Peripheral component interconnect
 - See* PCI
- Physical board parameters, 5–2
- Power connectors, 2–10
- Power distribution, 3–38
- Power LED connector, 2–12
- Power requirements, 5–1
- Presence detect high-data register, A–13
- Presence detect logic, 3–12
- Presence detect low-data register, A–12
- Processor interrupts, 3–19
- Programmable array logic, 1–2
- Programmable memory timing, 3–12

R

- Ranges, xv
- Read latency minimization, 3–11
- Refresh timing register, A–24
- Register field notation, xvi
- Register figures, xv
- Registers, A–1 to A–40
 - See also specific register entries*
- Related documentation, D–2
- Reset, 3–38
- Round-robin arbiter interrupts, 3–19

S

Saturn IO chip

See SIO chip

Serial ROM

See SROM

Serial ROM code, 1-5, 3-40

Should be zero, xv

Signal names, xviii

SIO chip, 3-33

configuration register address map, C-6

interrupt logic, 3-29

operating register address map, C-1

SIO PCI-to-ISA bridge

configuration address map, C-6

operating register address map, C-1

Slots

ISA, 2-8

L2 cache SIMM, 2-8

PCI, 2-8

Software configuration jumpers, 2-1, 2-3

Software support, 1-5

debug and monitor code, 3-42

operating systems, 3-42

serial ROM code, 3-40

system software, 3-40

Speaker connector, 2-12

sp_bit6 jumper, 2-4

sp_bit7 jumper, 2-3

sp_bit<2:0> jumpers, 2-4

sp_bit<5:3> jumpers, 2-4

SROM, 3-37

test connector, 2-9

Support chipset, 1-2

sysBus and PCI-initiated transactions

data coherency, 3-17

deadlock resolution, 3-18

guaranteed access-time mode, 3-19

sysBus arbitration, 3-9

sysBus controller, 3-10

sysBus error address register, A-30

sysBus interface, 3-8, 3-14

address decode, 3-14

I/O read data buffering, 3-14

sysBus interface (cont'd)

I/O write transaction buffering, 3-14

wrapping mode, 3-14

sysBus output selectors, 3-22

sysData bus, 3-20

System address mapping

CPU-to-PCI address space, 4-1

System address space

21071-CA CSR space, 4-5

21071-DA CSR space, 4-7

cacheable memory space, 4-4

noncacheable memory space, 4-4

PCI configuration space, 4-12

PCI dense memory space, 4-18

PCI interrupt acknowledge/special cycle,

4-8

PCI sparse I/O space, 4-9

PCI sparse space, 4-15

PCI-to-physical memory addressing, 4-19

System components, 1-1

System features, 1-1

System interrupts, 3-29

System ROM

See Flash ROM

System software, 3-40

debug and monitor code, 3-42

operating systems, 3-42

serial ROM code, 3-40

software support, 1-5

T

Tag enable register, A-7

Time-of-year clock

See TOY clock

TLB data registers 0 through 7, A-40

TLB tag registers 0 through 7, A-39

TOY clock, 3-36

Transaction scheduler, 3-12

Translated base register 1, A-32

Translated base register 2, A-32

Translation buffer invalidate all register,

A-40

U

Ubus, 1–4
 address decode, C–10
 memory devices, 3–36
UNDEFINED, xiv
UNPREDICTABLE, xiv
Utility bus

See Ubus

V

Video frame pointer register, A–11

W

Wrapping mode, 3–14

