

Digital AlphaStation 400 Series

Upgrade Information

Order Number: EK-AVAXP-UP. A01

First Printing, October 1994

Digital Equipment Corporation makes no representations that the use of its products in the manner described in this publication will not infringe on existing or future patent rights, nor do the descriptions contained in this publication imply the granting of licenses to make, use, or sell equipment or software in accordance with the description.

Possession, use, or copying of the software described in this publication is authorized only pursuant to a valid written license from Digital or an authorized sublicensor.

© Digital Equipment Corporation 1994. All Rights Reserved.

The following are trademarks of Digital Equipment Corporation: Alpha AXP, AXP, DEC, DECpc, DECstation, Digital, OpenVMS, RRD42, RZ, ThinWire, TURBOchannel, ULTRIX, VAX, VAX DOCUMENT, VAXstation, the AXP logo, and the DIGITAL logo.

Motif and OSF/1 are registered trademarks of Open Software Foundation, Inc., licensed by Digital.

FCC Notice: This equipment has been tested and found to comply with the limits for a Class A digital device, pursuant to Part 15 of the FCC Rules. These limits are designed to provide reasonable protection against harmful interference when the equipment is operated in a commercial environment. This equipment generates, uses, and can radiate radio frequency energy and, if not installed and used in accordance with the instruction manual, may cause harmful interference to radio communications. Operation of this equipment in a residential area is likely to cause harmful interference, in which case users will be required to correct the interference at their own expense.

All trademarks and registered trademarks are the property of their respective holders.

S2627

This document was prepared using VAX DOCUMENT Version 2.1.

Contents

1 Options You Can Upgrade

Purpose of Guide	1-1
Options You Can Upgrade	1-1
Warning	1-2

2 Upgrading a DECpc AXP 150

Topics Covered in this Chapter	2-1
Upgrade Procedure	2-1
Step 1: If Your System Has Factory-Installed Drives	2-1
Step 2: Shut Down System	2-2
Step 3: Disconnect Cables	2-2
Step 4: Remove Outside Cover	2-3
Step 5: Remove Inside Cover	2-4
Step 6: Remove Front Peripheral Bay Bezel	2-6
Step 7: Identifying the Drive Bays	2-7
Step 8: Remove SCSI Drive from Front Drive Bay	2-8
Step 9: Remove Disk Drive from Rear Drive Bay	2-10
Step 10: Disconnect SCSI Option Board Ribbon Cables	2-12
Step 11: Remove Option Board	2-13
Step 12: Set the SCSI IDs on the Drives	2-14
Step 13: Complete the Upgrade	2-14
Step 14: Return Your System to Digital	2-14

3 Upgrading a DEC 3000 Model 300/300L/300X/300LX

Topics Covered in This Chapter	3-1
Upgrade Procedure	3-1
Step 1: If Your System Has Factory-Installed Drives	3-1
Step 2: Shut Down System	3-2
Step 3: Disconnect Cables	3-2
Step 4: Remove Cover	3-3

Step 5: Remove Fixed Disk Drives	3-4
Step 6: Set the SCSI IDs on the Drives	3-6
Step 7: Complete the Upgrade	3-6
Step 8: Return Your System to Digital	3-6

4 Upgrading a DEC 3000 Model 400/600 AXP

Topics Covered in This Chapter	4-1
Upgrade Procedure	4-1
Step 1: If Your System Has Factory-Installed Drives	4-1
Step 2: Shut Down System	4-2
Step 3: Disconnect Cables	4-2
Step 4: Remove System Cover	4-2
Step 5: Remove Removable Media Drive	4-4
Step 6: Remove a Disk Drive	4-6
Step 7: Remove Mounting Brackets	4-6
Step 8: Set SCSI IDs on Drives	4-7
Step 9: Complete the Upgrade	4-7
Step 10: Return Your System to Digital	4-7

5 Upgrading a DEC 3000 Model 500/500X AXP

Topics Covered in This Chapter	5-1
Upgrade Procedure	5-1
Step 1: If Your System Has Factory-Installed Drives	5-1
Step 2: Shut Down System	5-2
Step 3: Disconnect Cables	5-2
Step 4: Unlock Cover	5-3
Step 5: Remove Cover	5-4
Step 6: Remove Right Panel	5-5
Step 7: Remove Front Panel	5-6
Step 8: Remove Removable Media Drive	5-7
Step 9: Remove Fixed Disk Drive	5-11
Step 10: Remove Mounting Brackets	5-12
Step 11: Set SCSI IDs on Drives	5-12
Step 12: Complete the Upgrade	5-12
Step 13: Return Your System to Digital	5-13

6 Upgrading a VAXstation 4000 VLC

Topics Covered in This Chapter	6-1
Upgrade Procedure	6-1
Step 1: If Your System Has Factory-Installed Drives	6-1
Step 2: Shut Down System	6-2
Step 3: Disconnect Cables	6-2
Step 4: Remove System Cover	6-3
Step 5: Remove Disk Drive	6-4
Step 6: Set the SCSI IDs on the Drives	6-4
Step 7: Complete the Upgrade	6-5
Step 8: Return Your VAXstation to Digital	6-5

7 Upgrading a VAXstation 4000 Model 60/90/90A

Topics Covered in This Chapter	7-1
Upgrade Procedure	7-1
Step 1: If Your System Has Factory-Installed Drives	7-1
Step 2: Shut Down System	7-3
Step 3: Disconnect Cables	7-3
Step 4: Remove System Cover	7-3
Step 5: Remove H-Bracket	7-4
Step 6: Remove Drives from the H-Bracket	7-5
Step 7: Remove SPXgt Graphics Module	7-6
Step 8: Remove Removable-Media Bracket	7-8
Step 9: Remove Drive from Bracket	7-9
Step 10: Set the SCSI IDs on the Drives	7-10
Step 11: Complete the Upgrade	7-10
Step 12: Return Your VAXstation to Digital	7-10

8 Upgrading a DECstation 5000 Model 20/25/33/50

Topics Covered in This Chapter	8-1
Upgrade Procedure	8-1
Step 1: If Your System Has Factory-Installed Drives	8-1
Step 2: Shut Down System	8-2
Step 3: Disconnect Cables	8-2
Step 4: Remove Cover	8-3
Step 5: Remove Fixed Disk Drives	8-5
Step 6: Set the SCSI IDs on the Drives	8-5
Step 7: Complete the Upgrade	8-6
Step 8: Return Your DECstation to Digital	8-6

9 Upgrading a DECstation 5000 Model 120/125/133/150	
Topics Covered in This Chapter	9-1
Upgrade Procedure	9-1
Step 1: If Your System Has Factory-Installed Drives	9-1
Step 2: Shut Down System	9-2
Step 3: Disconnect Cables	9-2
Step 4: Remove System Cover	9-3
Step 5: Remove Front Drive Panel	9-4
Step 6: Remove Removable Media Drives	9-5
Step 7: Remove Fixed Disk Drives	9-5
Step 8: Set the SCSI IDs on the Drives	9-6
Step 9: Complete the Upgrade	9-6
Step 10: Return Your DECstation to Digital	9-6
10 Upgrading a DECstation 5000 Model 200/240/260	
Topics Covered in This Chapter	10-1
External Options Only	10-1
Upgrade Procedure	10-1
Step 1: If Your System Has Factory-Installed Drives	10-1
Step 2: Shut Down System	10-2
Step 3: Disconnect Cables	10-2
Step 4: Set the SCSI IDs on the Drives	10-3
Step 5: Complete the Upgrade	10-3
Step 6: Return Your DECstation to Digital	10-3
11 Upgrading Other Systems	
No Options Can Be Upgraded	11-1
Upgrade Procedure	11-1
Step 1: Return Your System to Digital	11-1
Step 2: Update Service Contract	11-1
A SCSI ID Settings for Drives	
Setting a Unique SCSI Address	A-1
Selecting SCSI ADDRESS	A-1
Changing the Setting	A-2

Figures

1-1	Kit Contents	1-3
2-1	Removing the Outside Cover	2-3
2-2	Removing the Inside Covers	2-5
2-3	Removing the Front Peripheral Bay Bezel	2-6
2-4	System Drive Bays	2-7
2-5	Removing a SCSI Drive from a Front Drive Bay	2-9
2-6	Removing a 3.5-Inch Drive from the Rear Drive Bay	2-11
2-7	Disconnecting the SCSI Option Board Ribbon Cables	2-12
2-8	Removing an Option Board	2-13
4-1	Removing the System Cover	4-3
4-2	Loosening the Screws on the Bracket	4-4
4-3	Removing a Removable Media Device	4-5
4-4	Removing a Fixed Media Device	4-6
4-5	Removing a Mounting Bracket	4-7
5-1	Unlocking the System Cover	5-3
5-2	Removing the System Cover	5-4
5-3	Removing the Right Side of the Panel	5-5
5-4	Removing the Front Panel	5-6
5-5	Disconnecting the System SCSI and Power Cables	5-7
5-6	Removing the Drive Bracket	5-8
5-7	Location of Drive SCSI and Power Cables	5-9
5-8	Removing the Drive Bracket	5-10
5-9	Removing a Fixed Disk Drive	5-11
5-10	Removing a Mounting Bracket	5-12
7-1	SPXgt 24-Plane Graphics Module	7-6
7-2	Removing the SPXgt 24-Plane Graphics Module	7-7
A-1	TZK11 Tape Drive SCSI ID Settings	A-3
A-2	RRD43 Compact Disk Drive SCSI ID Settings	A-4
A-3	TLZ06/07 Tape Drive SCSI ID Settings	A-5
A-4	RZ25L Fixed Disk Drive SCSI Settings	A-6
A-5	RZ26L Fixed Disk Drive SCSI Settings	A-7
A-6	RZ28 Fixed Disk Drive SCSI Settings	A-8

1

Options You Can Upgrade

Purpose of Guide

The purpose of this guide is to tell customers and Digital Services which options can be removed from their current system and used, internally or externally, in their Digital AlphaStation 400 Series system. Step-by-step instructions are provided for removing the options.

Options You Can Upgrade

The following options can be used with the Digital AlphaStation 400 Series system:

Option	Description
Internal or External Disks	
RZ25L	535 MB 3.5" SCSI
RZ26L	1.0 GB 3.5" SCSI
RZ28	2.1 GB 3.5" SCSI
Internal or External Tape Drives/CD-ROM	
TLZ06	4 GB 4 MM DAT drive
TZK11	2.0 GB QIC tape
RRD43	600 MB CD-ROM

Options You Can Upgrade

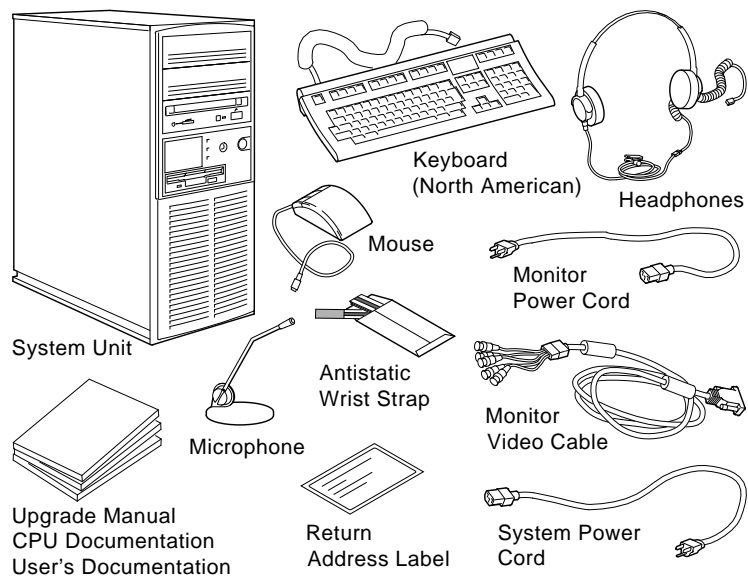
Option	Description
Monitors	
FR-PCXAV-HA/H4	21" color
FR-PCXAV-EC/ED	17" color
VRC21-HA/H4	21" color
PCXAV-EC/ED	17" color
Expansion Boxes	
BA350	Deskside
BA353	Desktop

Warning

Attach an antistatic wrist strap before you begin this upgrade. As you remove options from your system, place them on an antistatic mat.

Static discharge can cause irreparable damage to options modules.

Figure 1-1 Kit Contents



MLO-009848

2

Upgrading a DECpc AXP 150

Topics Covered in this Chapter

- Upgrading your system
- Removing drives
- Removing modules
- Completing the upgrade

Upgrade Procedure

Step 1: If Your System Has Factory-Installed Drives

If your Digital AlphaStation 400 Series system has factory-installed drives, you may need to change the SCSI IDs on the drives you are upgrading.

To display the SCSI ID settings of the drives in your DECpc AXP 150 system:

1. Enter the command to shut down the software and put the system in console mode following the instructions in your software documentation.

Upgrade Procedure

2. Enter `SHOW DEVICE` at the console prompt (`>>>`). A screen similar to the following appears:

```
>>> SHOW DEVICE
```

BOOTDEV	ADDR	DEVTYPE	RM/FX	DEVNAM	REV	NUMBYTES
-----	----	-----	-----	-----	---	-----
ERA0	08-00-2B-2E-2E-C3					
DVA0	PC Floppy	DISK	RM			
SCSI Devices..						
DKA0	A/0/0	DISK	FX	RZ25	0700	426.25MB
MKA200	A/2/0	TAPE	RM	TZK10	03B8
DKA400	A/4/0	RODISK	RM	RRD42	4.5d
HOST	A/5/0	PROC		AHA1742A	G	

This sample display shows an RZ25 drive set to SCSI ID 0, a TZK10 drive set to SCSI ID 2, and an RRD42 drive set to SCSI ID 4.

Write down the names of your system drives and SCSI ID settings here. You will need them for future use.

Step 2: Shut Down System

Turn off the system unit by pressing **O** on the On/Off switch on the front of the system unit.

Caution: After you turn off the system, wait 15 seconds before you unplug the power cord.

Step 3: Disconnect Cables

To disconnect the cables:

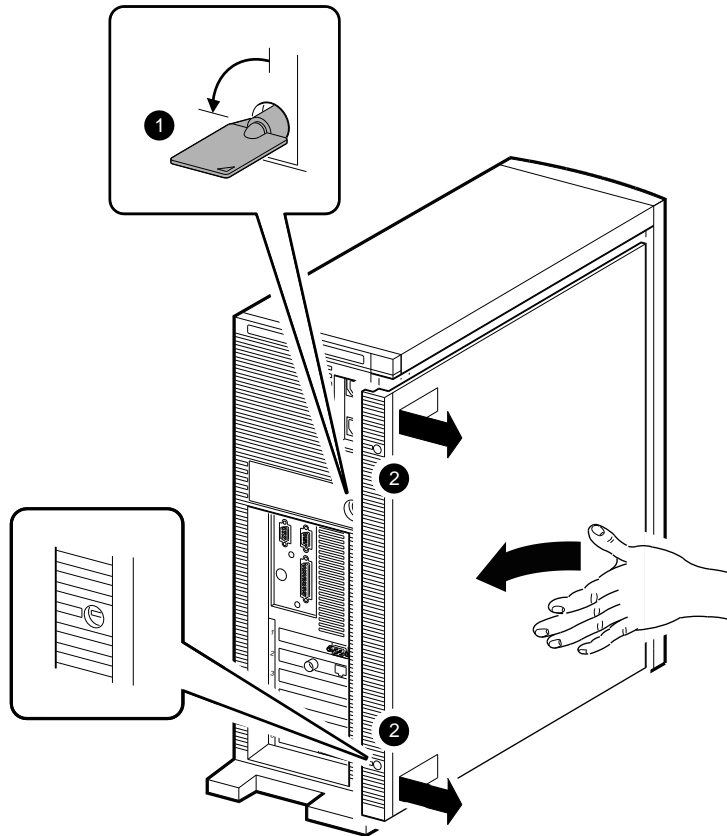
1. Disconnect all the cables from the back of the system unit.
2. Disconnect the power cord from the wall outlet and then from the system unit.

**Step 4:
Remove
Outside Cover**

To remove the outside cover:

1. Unlock the outside cover using the chassis key ❶
2. Loosen the two captive screws ❷.
3. Slide the outside cover towards the rear of the system unit and remove it.

Figure 2-1 Removing the Outside Cover



GA_EN00265A_93A

Upgrade Procedure

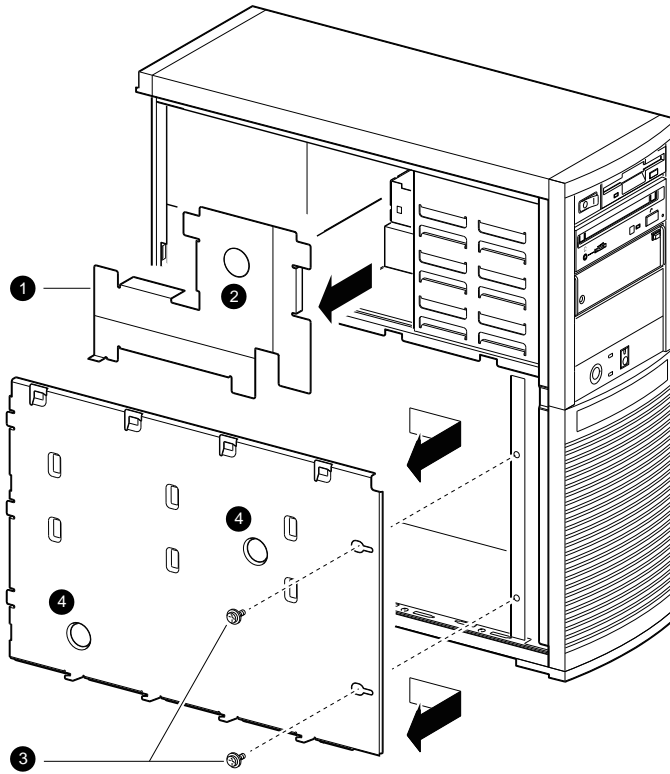
Step 5: Remove Inside Cover

Note that the peripheral bay cover **❶** may not be installed in your system. It is installed only in older systems.

To remove the inside cover:

1. Remove the inside peripheral bay cover by inserting your finger into the circular hole **❷** and lifting the cover out.
2. Remove the two screws **❸** securing the large inside cover to the chassis. Keep the screws in a safe place.
3. Insert your finger into the circular holes **❹** on the larger inside cover, then slide it towards the front of the system unit and remove it.

Figure 2-2 Removing the Inside Covers



GA_EN00266A_93A

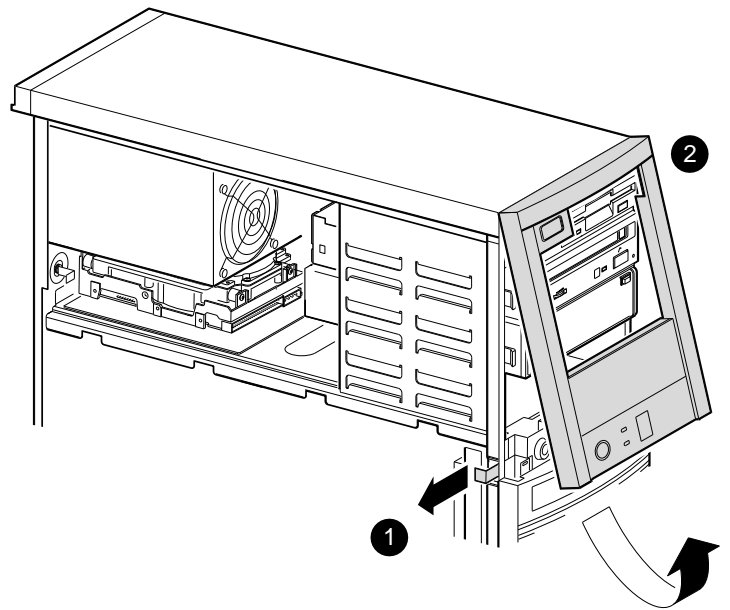
Upgrade Procedure

Step 6: Remove Front Peripheral Bay Bezel

To remove the front peripheral bay bezel:

1. Pull the bezel locking-latch **1** out until it stops.
2. Lift the front peripheral bay bezel from the bottom and then lift it out and off its hinges **2**.

Figure 2-3 Removing the Front Peripheral Bay Bezel



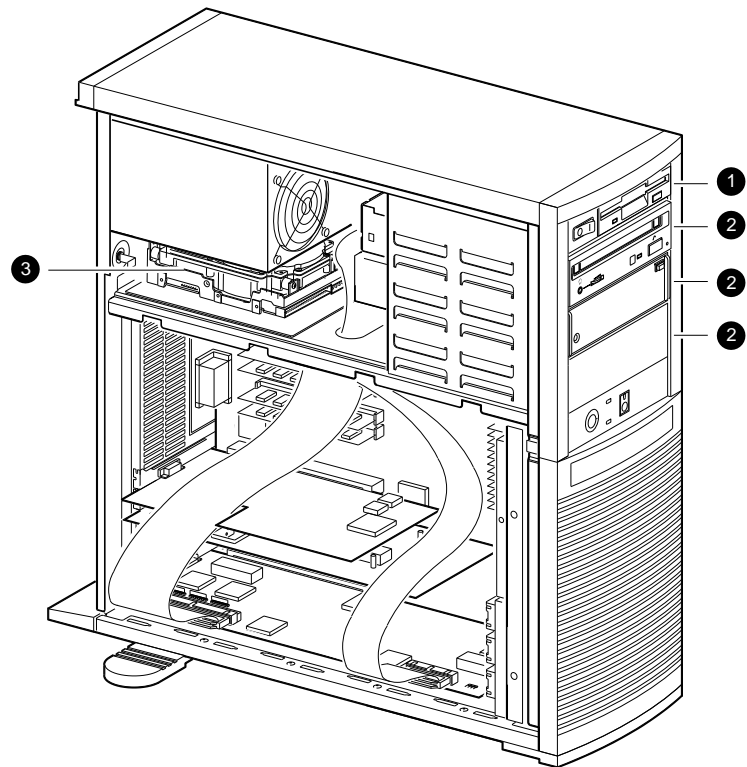
GA_EN00271A_93A

**Step 7:
Identifying the
Drive Bays**

The following section describes how to identify the drive bays inside the system unit.

Item	Description
❶	Front diskette drive bay—Accepts 3.5-inch diskette drives
❷	Front 5.25-inch drive bays—Accepts 5.25-inch removable media devices or 3.5-inch disk drive devices
❸	Rear disk drive bay—Accepts 3.5-inch disk drives

Figure 2–4 System Drive Bays



GA_EN00270A_93A

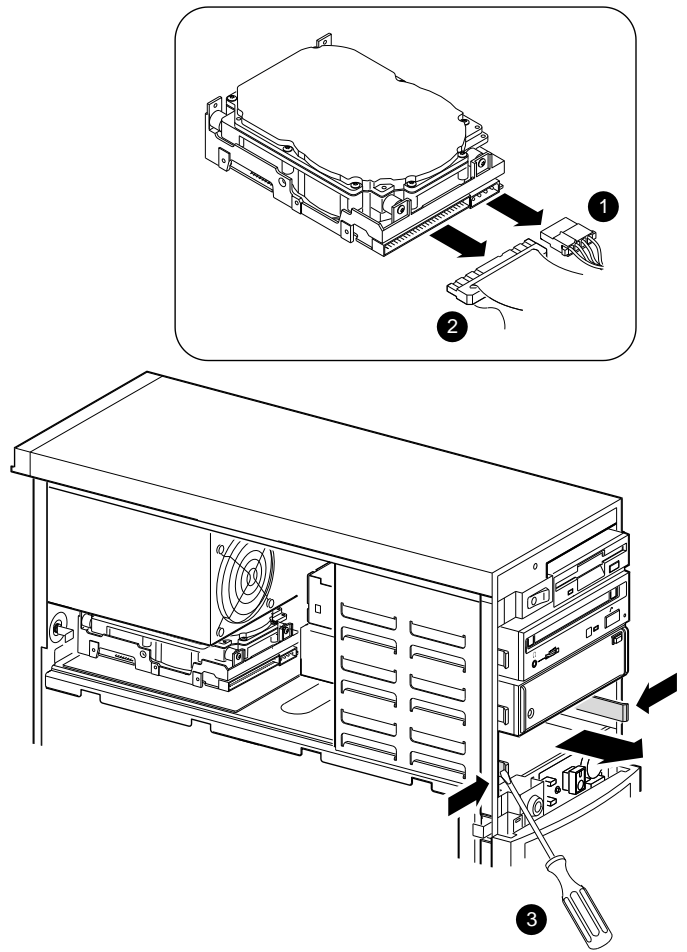
Upgrade Procedure

Step 8: Remove SCSI Drive from Front Drive Bay

To remove the SCSI drive from the front drive bay:

1. Disconnect the power cable ❶ and the data cable ❷ from the back of the drive.
2. Use a flat-head screwdriver ❸ to free the locking clips from the slots on the side of the drive bay.
3. Slide the drive forward and remove it from the drive bay.
4. Unscrew the extension brackets (3.5-inch drives only), slide rails, and grounding clips from the drive.

Figure 2-5 Removing a SCSI Drive from a Front Drive Bay



GA_EN00528A_93A

Upgrade Procedure

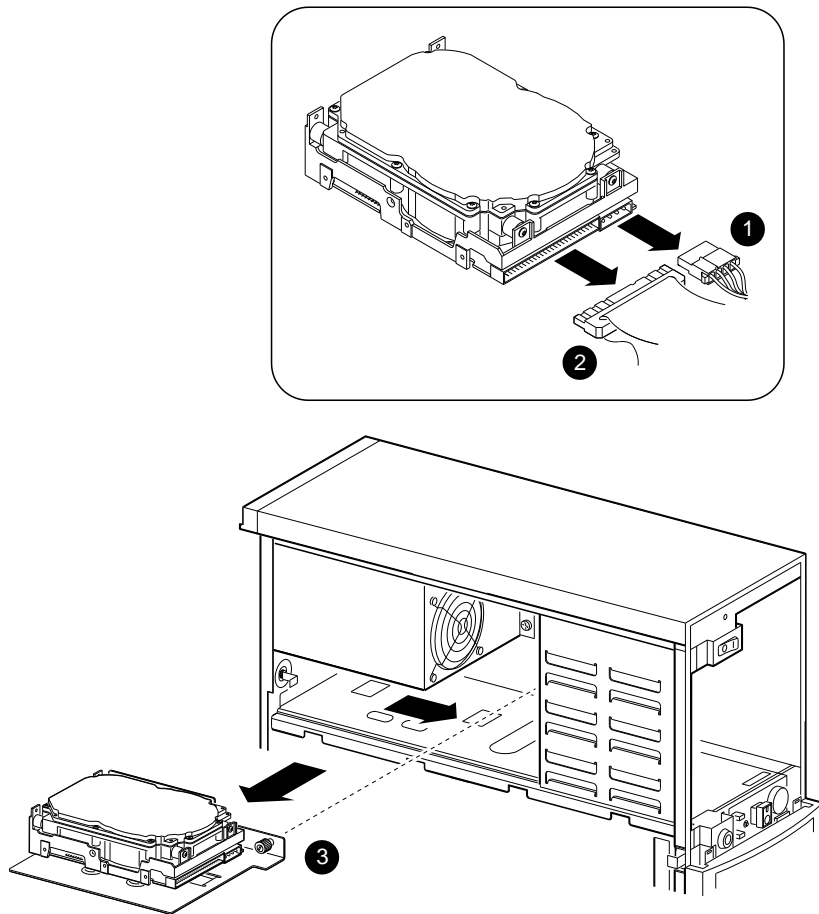
Step 9: Remove Disk Drive from Rear Drive Bay

To remove a disk drive from the rear drive bay:

1. Disconnect the power cable ❶ and the data cable ❷ from the back of the drive.
2. Use a flat-head screwdriver to unscrew the captive screw ❸ securing the drive mounting bracket, if present, to the chassis.
3. Slide the drive forward to free the mounting bracket clips, if present, from their slots, then lift it and remove it from the drive bay.
4. Remove the disk drive from the mounting bracket or the chassis, by unscrewing the screws.

Upgrade Procedure

Figure 2-6 Removing a 3.5-Inch Drive from the Rear Drive Bay



GA_EN00280A_93A

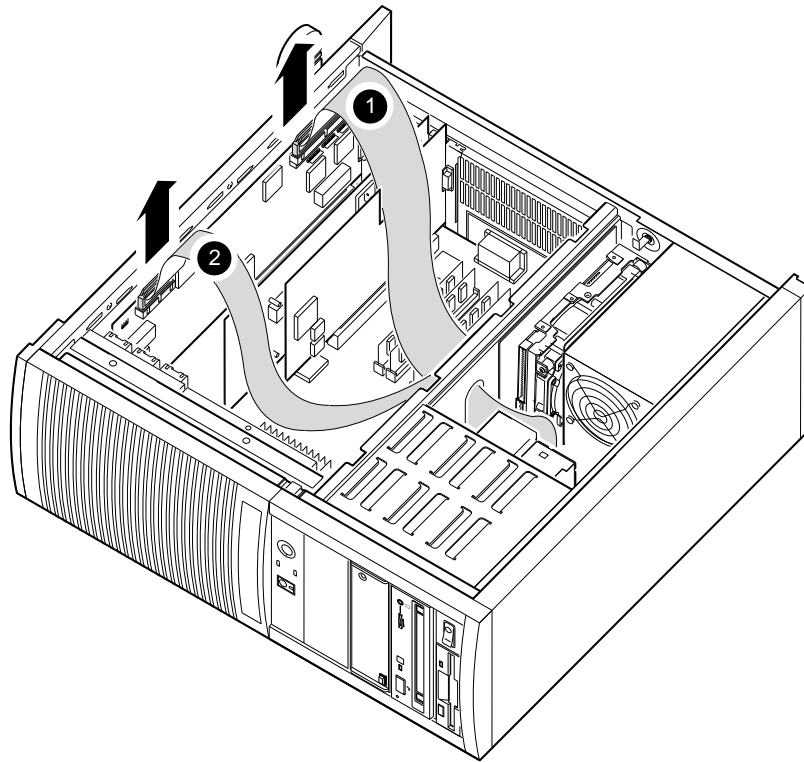
Upgrade Procedure

**Step 10:
Disconnect
SCSI Option
Board Ribbon
Cables**

To remove the SCSI option board ribbon cables:

1. Disconnect the larger ribbon cable ❶ and place it aside.
2. Disconnect the smaller ribbon cable ❷ and place it aside.

Figure 2-7 Disconnecting the SCSI Option Board Ribbon Cables



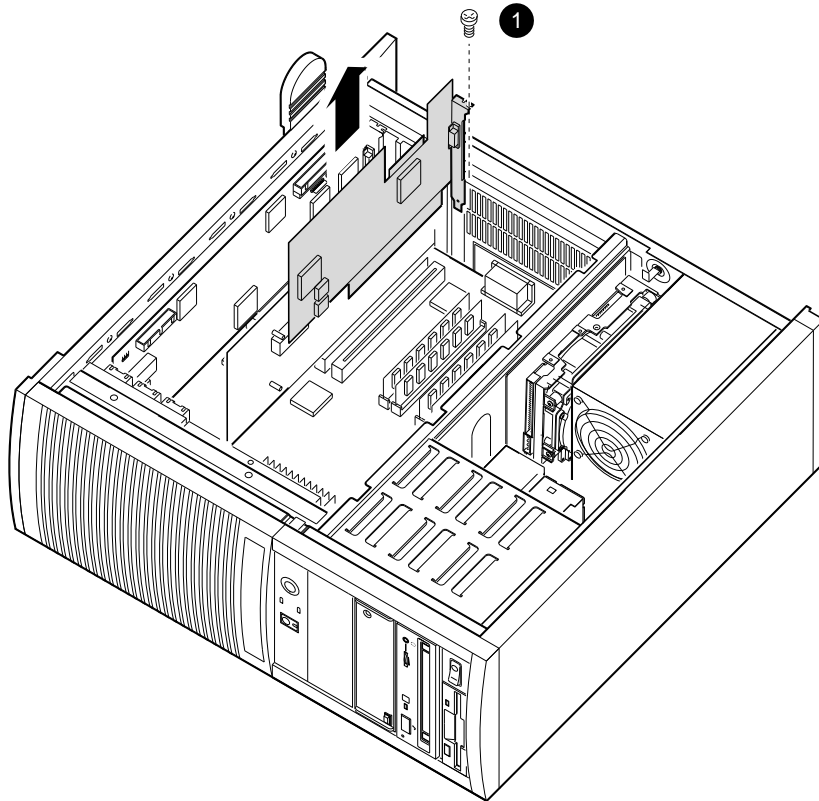
GA_EN00267A_93A

**Step 11:
Remove Option
Board**

To remove an option board:

1. Remove the screw **1** securing the option board to the chassis.
2. Carefully disconnect the option board from the connectors on the system module and remove it from the system.

Figure 2–8 Removing an Option Board



GA_EN00268A_93A

Upgrade Procedure

Step 12: Set the SCSI IDs on the Drives

If your Digital AlphaStation 400 Series system has a factory-installed disk drive, it is set to SCSI ID 0. Check the SCSI ID settings you noted earlier. If one of the drives you are upgrading is also set to SCSI ID 0, change that setting.

SCSI ID settings can be found in Appendix A.

Step 13: Complete the Upgrade

To complete the upgrade:

1. Follow the instructions in the *Digital AlphaStation 400 Series User Information* manual to install the options you have removed from your system and to complete the upgrade.
2. Update the customer service contract to the Digital AlphaStation 400 Series system.

Step 14: Return Your System to Digital

To return your system and any options that are not upgradeable to Digital:

1. Pack the system and options securely in packing material.
2. Attach the return-address label that was in your upgrade kit, and ship the package to Digital.

3

Upgrading a DEC 3000 Model 300/300L/300X/300LX

Topics Covered in This Chapter

- Upgrading your system
- Removing drives
- Completing the upgrade

Upgrade Procedure

Step 1: If Your System Has Factory-Installed Drives

If your AlphaStation 400 Series system has factory-installed drives, you may need to change the SCSI IDs on the drives you are upgrading.

To display the SCSI ID settings of the drives in your system:

1. Enter the command to shut down the software and put the system in console mode as described in your software documentation.

Upgrade Procedure

2. Enter show device at the console prompt (>>>). A screen similar to the following appears:

```
>>> show device
BOOTDEV ADDR DEVTYPE NUMBYTES RM/FX WP DEVNAM REV
ESAO 08-00-2B-2F-F8-E6, TENBT
DKA3000 A/3/0 DISK 535MB FX RZ25L 0900
.HOSTID.A/7 INTR
>>>
```

This sample display shows an RZ25L drive set to SCSI ID 3.

Write down the names of your system drives and SCSI ID settings here. You will need them for future use.

Step 2: Shut Down System

Turn off the system unit by pressing O on the On/Off switch on the back of the system unit.

Caution: After you turn off the system, wait 15 seconds before you unplug the power cord.

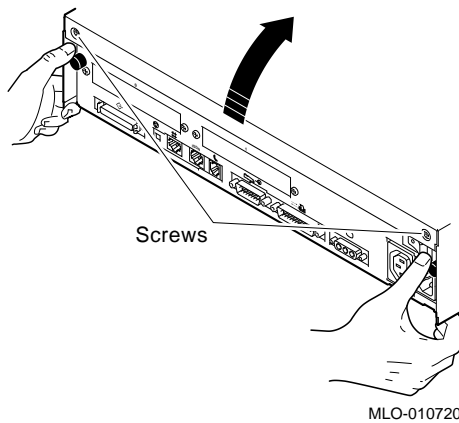
Step 3: Disconnect Cables

Disconnect all the cables from the back of the system unit.

Disconnect the power cord from the wall outlet and then from the system unit.

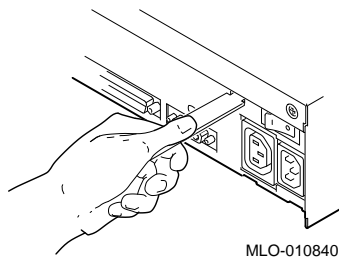
**Step 4:
Remove Cover**

1. Remove the two Phillips screws on the right and left top corners of the system unit cover.
2. Place the system unit so that the back of the unit extends over the edge of a table or desk.
3. Place your thumbs on top of the two black rubber caps on the back of the system unit, and place your fingers under the cover's bottom edge. Press with your thumbs, and, at the same time, pull up with your fingers to lift the cover.



Upgrade Procedure

Hint: If you have difficulty opening the enclosure, you can use a tool to pry up the cover as shown here.

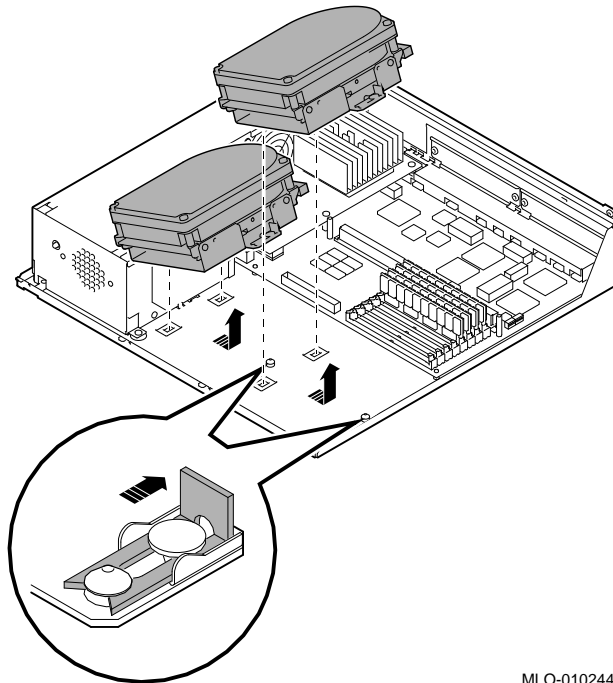


4. Pivot the cover on the tabs that run along the system unit's front edge.
5. Push the system unit cover forward and away until it releases from the tabs.
6. Place the cover aside.

Step 5: Remove Fixed Disk Drives

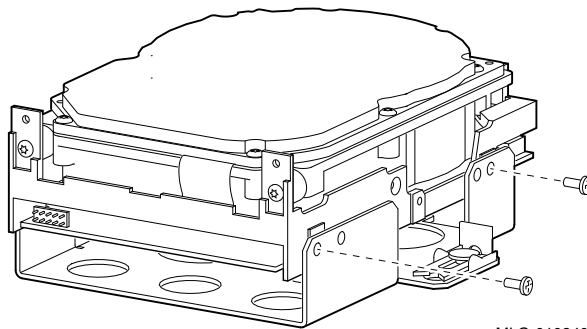
1. Unlock the sliding latch from the locking post.
2. Disconnect the internal power and SCSI cables from the rear of the drive.
3. Lift the drive off the locking post and out of the chassis cutouts.

Upgrade Procedure



MLO-010244

4. Remove the drive mounting bracket by removing the four screws that secure the mounting bracket to the drive.



MLO-010240

5. Set the drives aside on an antistatic mat.
6. Put all the disconnected cables back into the system unit.

Upgrade Procedure

Step 6: Set the SCSI IDs on the Drives

If your AlphaStation 400 Series system has a factory-installed disk drive, it is set to SCSI ID 0. Check the SCSI ID settings you noted earlier. If one of the drives you are upgrading is also set to SCSI ID 0, change that setting.

Settings for drives can be found in Appendix A.

Step 7: Complete the Upgrade

1. Instructions for installing options that you have removed from your system and completing the upgrade can be found in the *AlphaStation 400 Series User Information*.
2. Update the customer service contract to the AlphaStation 400 Series system.

Step 8: Return Your System to Digital

To return your system and any options that are not upgradeable to Digital:

1. Pack the system and options securely in packing material.
2. Attach the return-address label that was in your upgrade kit, and ship the package to Digital.

4

Upgrading a DEC 3000 Model 400/600 AXP

Topics Covered in This Chapter

- Upgrading your system
- Removing drives
- Completing the upgrade

Upgrade Procedure

Step 1: If Your System Has Factory-Installed Drives

If your Digital AlphaStation 400 Series system has factory-installed drives, you may need to change the SCSI IDs on the drives you are upgrading.

To determine the SCSI ID settings on your drives:

1. Shut down your software following the instructions in your software documentation.
2. Enter the *show device* command at the console prompt (>>>) to display the SCSI address for each drive. A display similar to the following appears:

Upgrade Procedure

```
>>> show device Return

BOOTDEV  ADDR  DEVTYPE  NUMBYTES  RM/FX  WP  DEVNAM  REV
-----  ----  -
ESA0     08-00  12-00-9C
DKA0     A/0/0  DISK     426.25MB  FX           RZ25  0700
DKA100   A/1/0  DISK     426.25MB  FX           RZ25  0700
DKA400   A/4/0  RODISK   .....    RM          WP  RRD42  4.3D
..HOSTID..A/7  INTR
..HOSTID..B/7  INTR

>>>
```

The SCSI address for each drive is indicated in the ADDR column, as shown above. The drive model is shown in the DEVNAM column. In this example, A/0/0 indicates an address of 0 on the SCSI A (internal device) bus for an RZ25, A/4/0 indicates an address of 4 on the SCSI-A bus for an RRD42, and so on.

Write down the drive names and SCSI addresses here for later reference.

Step 2: Shut Down System

Turn off the system unit by pressing 0 on the On/Off switch on the rear of the system unit.

Caution: After you turn off the system, wait 15 seconds before unplugging the power cord.

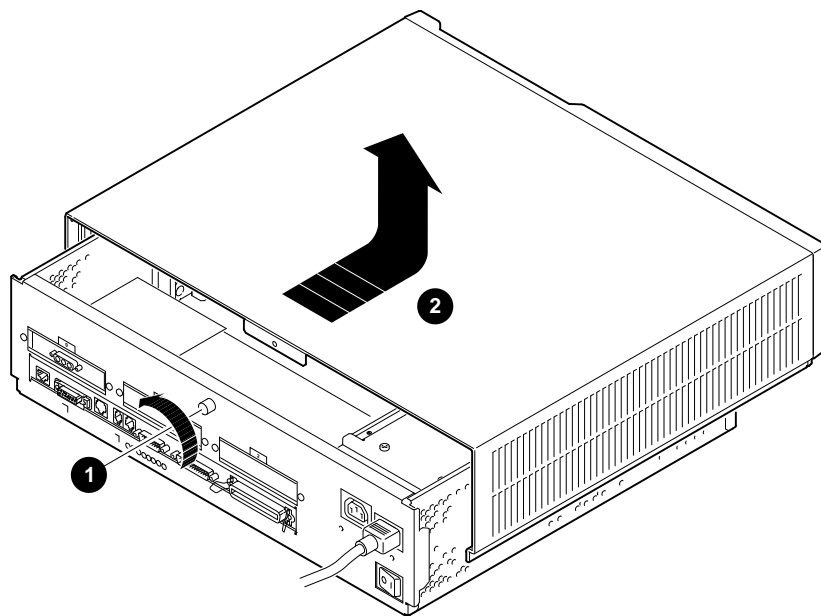
Step 3: Disconnect Cables

Disconnect all the cables from the back of the system unit. Disconnect the power cord from the wall outlet and then from the system unit.

Step 4: Remove System Cover

Loosen the captive screw ❶ on the back of the system unit. With one hand on each side, pull firmly on the cover to pull it towards the front of the system unit and lift it off ❷.

Figure 4-1 Removing the System Cover



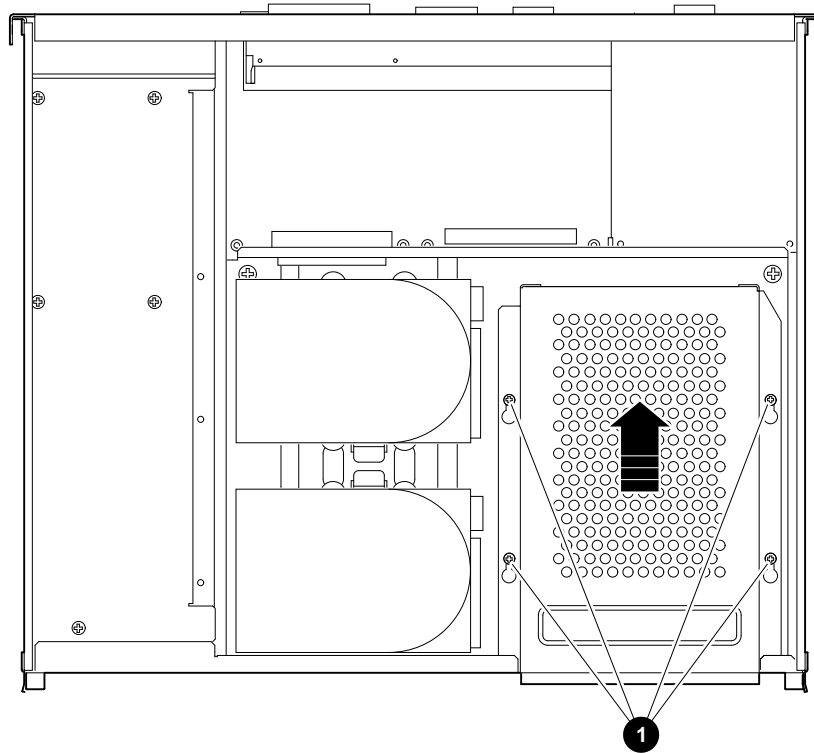
MLO-008608

Upgrade Procedure

**Step 5:
Remove
Removable
Media Drive**

1. Loosen the four screws holding the bracket in place and slide the bracket toward the back of the enclosure ❶.

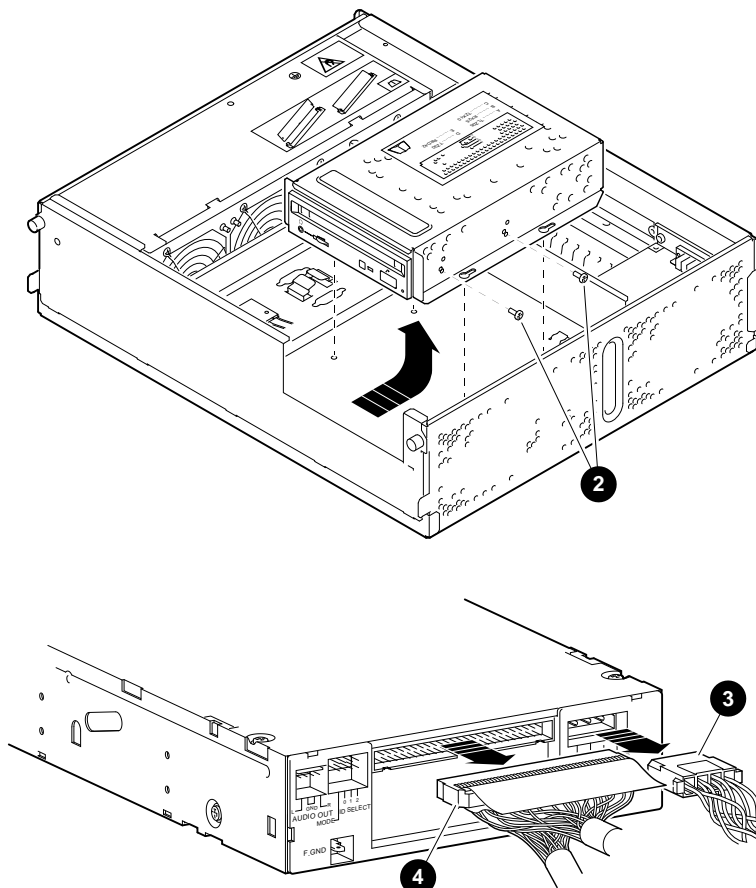
Figure 4-2 Loosening the Screws on the Bracket



MLO-011167

2. Position the drive bracket on its side to remove the four screws that mount the drive to the bracket. Remove the drive from the bracket ❷.
3. Remove the power cable connector attached to the drive ❸.
4. Remove the SCSI signal cable connector from the drive ❹.

Figure 4-3 Removing a Removable Media Device



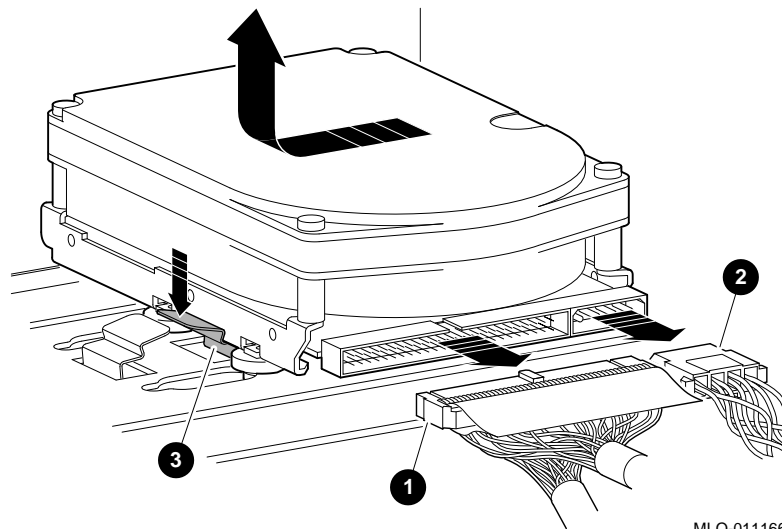
MLO-011168

Upgrade Procedure

Step 6: Remove a Disk Drive

1. Remove the SCSI signal cable from the drive ❶.
2. Disconnect the power cable connector from the drives ❷.
3. Press the retaining spring. Slide the drive toward the retaining spring and lift the drive out ❸.

Figure 4-4 Removing a Fixed Media Device



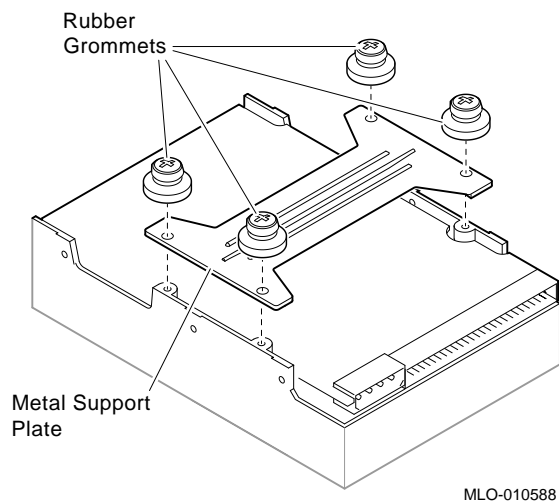
MLO-011166

Step 7: Remove Mounting Brackets

Remove the mounting bracket and rubber grommets from the fixed disk drive.

Set the drive aside on an antistatic mat.

Figure 4-5 Removing a Mounting Bracket



Step 8: Set SCSI IDs on Drives

If your Digital AlphaStation 400 Series system has a factory-installed disk drive, it is set to SCSI ID 0. Check the SCSI ID settings you noted earlier. If one of the drives you are upgrading is also set to SCSI ID 0, change that setting.

See Appendix A for the SCSI ID drive settings.

Step 9: Complete the Upgrade

1. Follow the instructions in the *Digital AlphaStation 400 Series User Information* to install the options you have removed from your system and to complete the upgrade.
2. Contact your Digital service representative to upgrade your hardware service contract.

Step 10: Return Your System to Digital

Return your system as follows:

1. Pack the system unit securely in packing material.
2. Attach the return-address label that came in the upgrade accessory kit.

5

Upgrading a DEC 3000 Model 500/500X AXP

Topics Covered in This Chapter

- Upgrading your system
- Removing drives
- Completing the upgrade

Upgrade Procedure

Step 1: If Your System Has Factory-Installed Drives

If your Digital AlphaStation 400 Series system has factory-installed drives, you may need to change the SCSI IDs on the drives you are upgrading.

To determine the SCSI ID settings on your drives:

1. Shut down your software following the instructions in your software documentation.
2. Enter the *show device* command at the console prompt (>>>) to display the SCSI address for each drive. A display similar to the following appears:

Upgrade Procedure

```
>>> show device 
BOOTDEV  ADDR      DEVTYPE  NUMBYTES  RM/FX  WP  DEVNAM  REV
-----  -
ESA0     08-00-2B-1D-1E-EF, THICK
DKA0     A/0/0    DISK     1.05MB   FX           RZ26   T368
DKA100   A/1/0    DISK     426.25MB FX           RZ25   0700
DKA200   A/2/0    DISK     426.25MB FX           RZ25   0700
DKA400   A/4/0    RODISK   .....   RM        WP  RRD42   4.3d
DKA500   A/5/0    DISK     .....   RM           RX26   0068

..HostID..A/7    INITR
..HostID..B/7    INITR

>>>
```

The SCSI address for each drive is indicated in the ADDR column, as shown above. The drive model is shown in the DEVNAM column. In this example, A/1/0 indicates an address of 1 on the SCSI A (internal device) bus for an RZ25. A/4/0 indicates an address of 4 on the SCSI-A bus for an RRD42, and so on.

Write down the drive names and the SCSI addresses here for later reference.

Step 2: Shut Down System

Turn off the system unit by pressing 0 on the On/Off switch on the front of the system unit.

Caution: After you turn off the system, wait 15 seconds before unplugging the power cord.

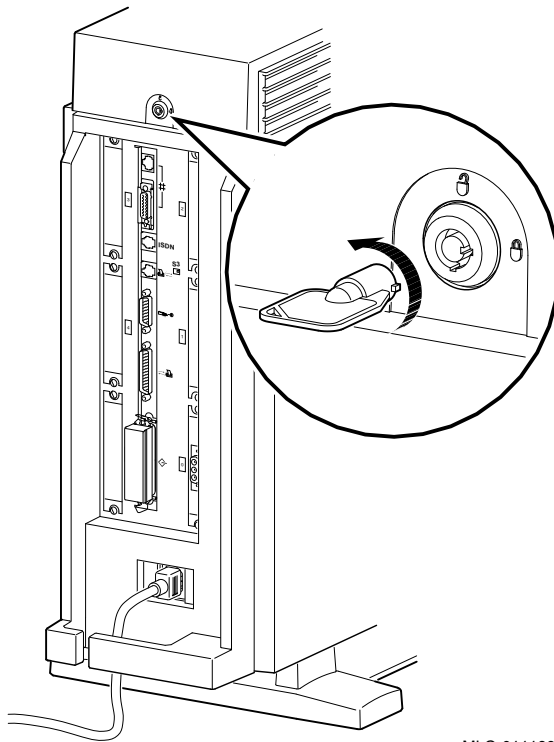
Step 3: Disconnect Cables

Disconnect all the cables from the back of the system unit. Disconnect the power cord from the wall outlet and then from the system unit.

Step 4: Unlock Cover

Unlock the system cover, as shown.

Figure 5-1 Unlocking the System Cover



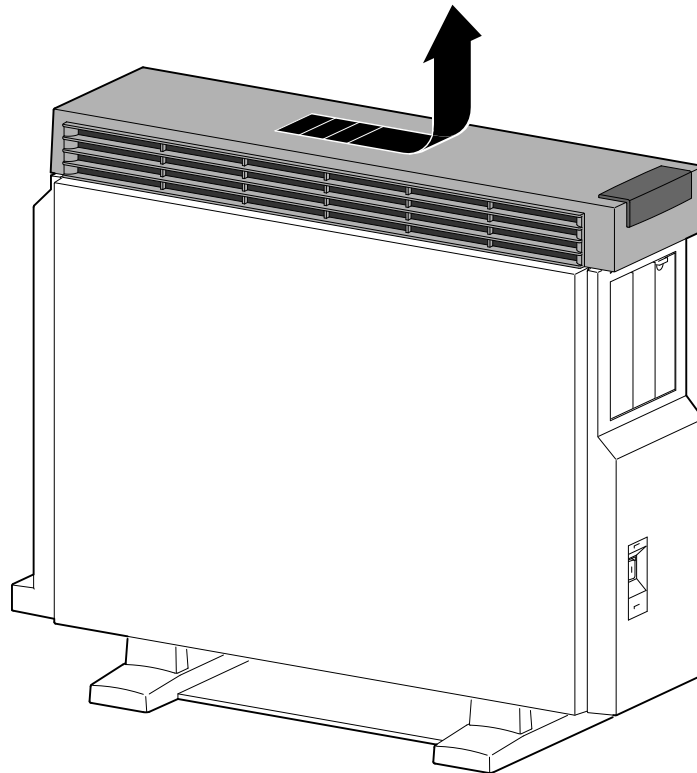
MLO-011186

Upgrade Procedure

**Step 5:
Remove Cover**

Remove the system cover by sliding it forward and lifting it off, as shown. Note that the cover must be removed before you can remove the front panel or either side panel.

Figure 5-2 Removing the System Cover

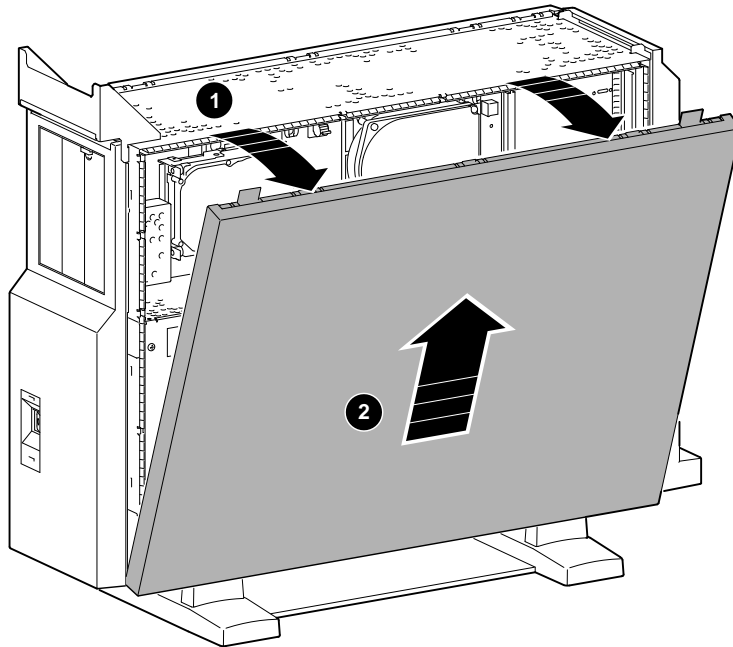


MLO-007503

**Step 6:
Remove Right
Panel**

Remove the right side panel by pulling the tabs on the top edge away **1** and lifting the bottom edge out of the track **2**. Do *not* pull on the plastic part of the panel.

Figure 5-3 Removing the Right Side of the Panel



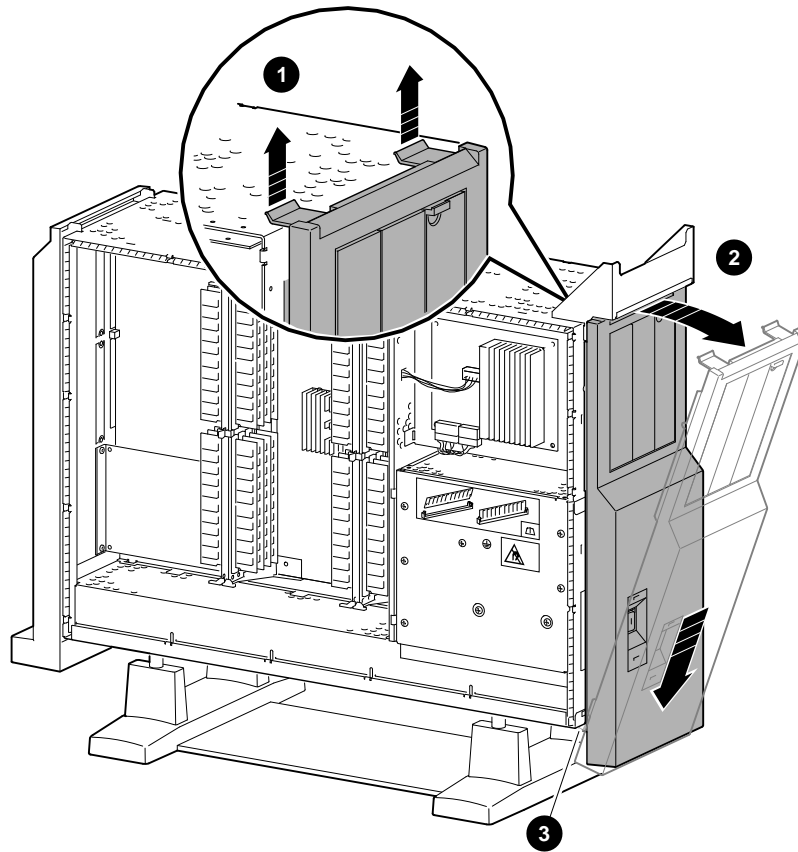
MLO-007505

Upgrade Procedure

**Step 7:
Remove Front
Panel**

Remove the front panel by releasing the catches at the top **1**. Pull the panel away **2** and unhook the panel bottom.

Figure 5-4 Removing the Front Panel

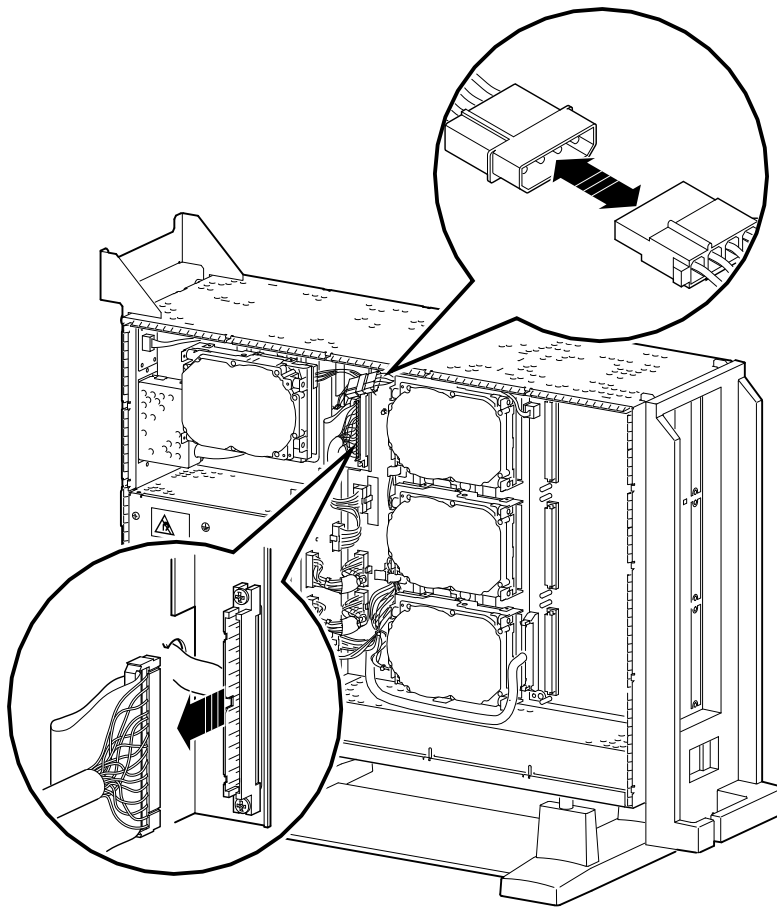


MLO-011188

**Step 8:
Remove
Removable
Media Drive**

1. Disconnect the SCSI and power cables from the system.

Figure 5-5 Disconnecting the System SCSI and Power Cables

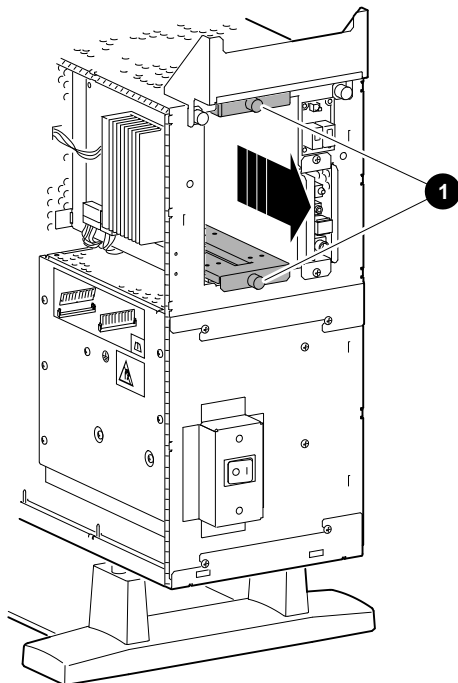


MLO-011263

Upgrade Procedure

2. Release the two thumbscrews and remove the drive bracket from the system.

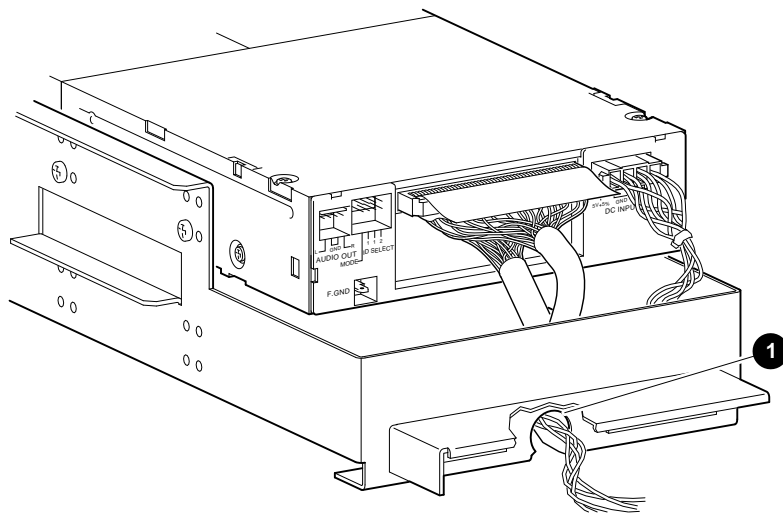
Figure 5-6 Removing the Drive Bracket



MLO-011190

3. Disconnect the SCSI and power cables from the drive and remove them from the bracket.

Figure 5-7 Location of Drive SCSI and Power Cables

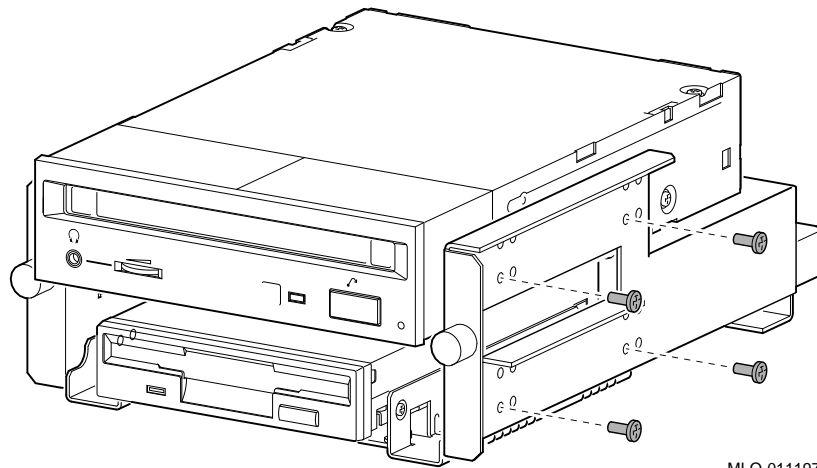


MLO-009392

Upgrade Procedure

4. Remove the two screws on each side of the drive bracket that secure the drive.

Figure 5-8 Removing the Drive Bracket



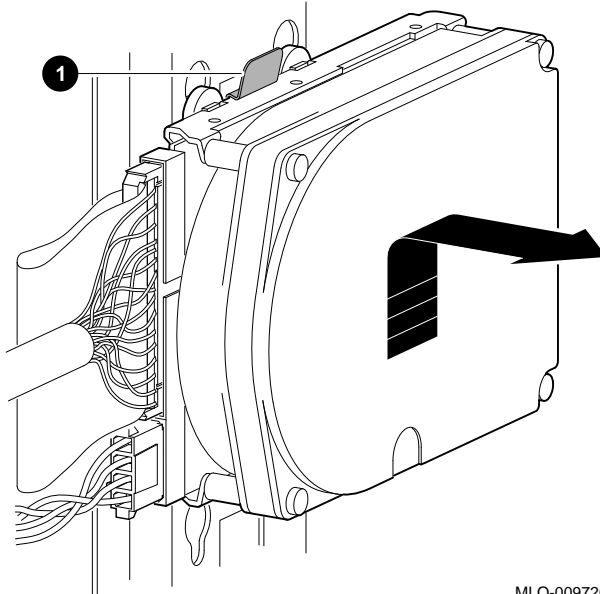
MLO-011197

5. Lift the drive out of the bracket.

**Step 9:
Remove Fixed
Disk Drive**

1. To remove a fixed disk drive, press the release latch **1** at the top of the drive, and slide the drive up and away from the system unit.

Figure 5-9 Removing a Fixed Disk Drive



MLO-009720

2. Remove the power and SCSI cables from the drive.

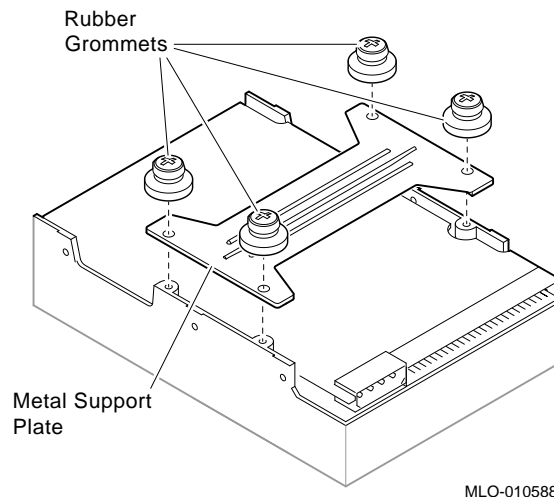
Upgrade Procedure

Step 10: Remove Mounting Brackets

Remove the mounting bracket and rubber grommets from the fixed disk drive.

Set the drive aside on an antistatic mat.

Figure 5–10 Removing a Mounting Bracket



MLO-010588

Step 11: Set SCSI IDs on Drives

If your Digital AlphaStation 400 Series system has a factory-installed disk drive, it is set to SCSI ID 0. Check the SCSI ID settings you noted earlier. If one of the drives you are upgrading is also set to SCSI ID 0, change that setting.

See Appendix A for the SCSI ID drive settings.

Step 12: Complete the Upgrade

1. Follow the instructions in the *Digital AlphaStation 400 Series User Information* to install the options you have removed from your system and to complete the upgrade.
2. Contact your Digital service representative to upgrade your hardware service contract.

Upgrade Procedure

Step 13: Return Your System to Digital

Return your system as follows:

1. Pack the system unit securely in packing material.
2. Attach the return-address label that came in the upgrade accessory kit.

6

Upgrading a VAXstation 4000 VLC

Topics Covered in This Chapter

- Upgrading your system
- Removing drives
- Completing the upgrade

Upgrade Procedure

Step 1: If Your System Has Factory-Installed Drives

If your Digital AlphaStation 400 Series system has factory-installed drives, you may need to change the SCSI IDs on the drives you are upgrading.

To determine the SCSI ID settings on your drives, follow these steps:

1. Shut down your system software following the instructions in your software documentation.
2. To show the drives and their SCSI ID settings, enter:
`>> SHOW CONFIG`

A screen similar to the following appears:

Upgrade Procedure

```
>>> SHOW CONFIG
KA48-A V1.3-343-V4.0
08-00-2B-1D-28-6C
8MB
-----
DEVNBR  DEVNAM  INFO
-----
1       NVR      OK
2       LCG      OK
        LR - 8 PLN FB - 5.2
3       DZ      OK
4       CACHE  OK
5       MEM     OK
        8MB = S0/1=0MB, S2/3=0MB, S4/5=0MB
6       FPU     OK
7       IT      OK
8       SYS     OK
9       NI      OK
10      SCSI    OK
        5-RX26  6-INITR
11      AUD     OK
>>>
```

SCSI
ID Numbers

MLO-010730

This sample display shows an RX26 drive set to SCSI ID 5.

Write down your system drives and SCSI ID settings here. You will need them for future use.

Step 2: Shut Down System

Turn off the system unit by pressing O on the On/Off switch on the side of the system unit.

Caution: After you turn off the system, wait 15 seconds before unplugging the power cord.

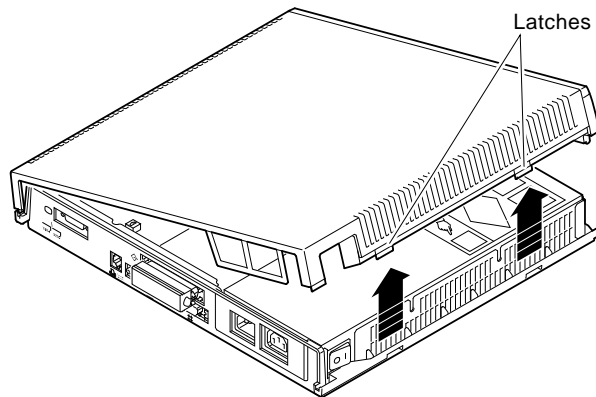
Step 3: Disconnect Cables

Disconnect all the cables from the back of the system unit.

Disconnect the power cord from the wall outlet and then from the system unit.

**Step 4:
Remove
System Cover**

1. Press firmly on the latches located on the side of the system unit.
2. Push the latches in and up until the cover releases.
3. Pull the cover up and off.

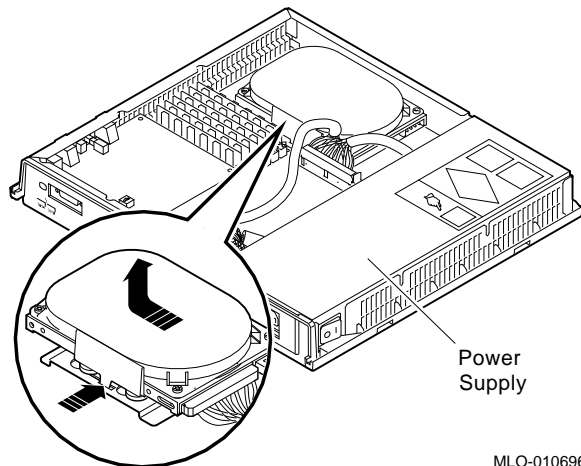


MLO-010695

Upgrade Procedure

Step 5: Remove Disk Drive

1. Locate the small metal clip attached to the disk mounting bracket.
2. Push in on the metal clip to unlock the bracket, then slide the drive away from the power supply to remove it from the system unit.
3. Disconnect the SCSI and power cables from the drive.
4. Remove the drive mounting bracket and clip by removing the four screws that secure the mounting bracket to the drive.



MLO-010696

Step 6: Set the SCSI IDs on the Drives

If your Digital AlphaStation 400 Series system has a factory-installed disk drive, it is set to SCSI ID 0. Check the SCSI ID settings you noted earlier. If one of the drives you are upgrading is also set to SCSI ID 0, change that setting.

SCSI ID settings for drives can be found in Appendix A.

**Step 7:
Complete the
Upgrade**

1. Instructions for installing options that you have removed from your VAXstation VLC and completing the upgrade can be found in the *Digital AlphaStation 400 Series User Information*.
2. Update the customer service contract to the Digital AlphaStation 400 Series system.

**Step 8:
Return Your
VAXstation to
Digital**

To return your VAXstation and any options that are not upgradeable to Digital:

1. Pack the VAXstation and options securely in packing material.
2. Attach the return-address label that was in your upgrade kit, and ship the package to Digital.

7

Upgrading a VAXstation 4000 Model 60/90/90A

Topics Covered in This Chapter

- Upgrading your system
- Removing drives
- Completing the upgrade

Upgrade Procedure

Step 1: If Your System Has Factory-Installed Drives

If your Digital AlphaStation 400 Series system has factory-installed drives, you may need to change the SCSI IDs on the drives you are upgrading.

To determine the SCSI ID settings on your drives:

1. Shut down your software following the instructions in your software documentation.
2. Put the VAXstation into console mode by pressing the Halt button located behind the door on the front of the system unit.
3. Enter the `SHOW CONFIG` command.

A screen similar to the following appears:

Upgrade Procedure

```
>>> show config
KN4n-A Vn.n
08-00-2B-0A-7D-CB
32 MB

DEVNBR DEVNAM  INFO
-----
1 NVR  OK
2 LCSPX OK
.
.
10 SCSI 0-RZ24 3-RZ25
```

This sample display shows an RZ24 drive set to SCSI ID 0 and RZ25 drive set to SCSI ID 3.

Write down your system drives and SCSI ID settings here. You will need them for future use.

Step 2: Shut Down System

Turn off the system unit by pressing **O** on the On/Off switch on the front of the system unit.

Caution: After you turn off the system, wait 15 seconds before unplugging the power cord.

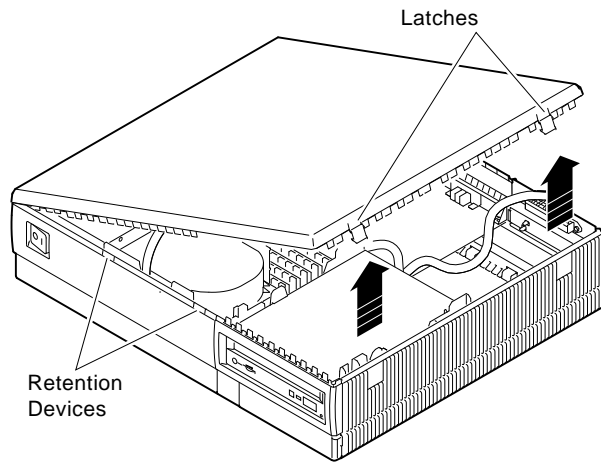
Step 3: Disconnect Cables

Disconnect all the cables from the back of the system unit.

Disconnect the power cord from the wall outlet and then from the system unit.

Step 4: Remove System Cover

Release the latches on the right side. Then pull the cover up and away. You need to pull forcefully to release the retention devices.



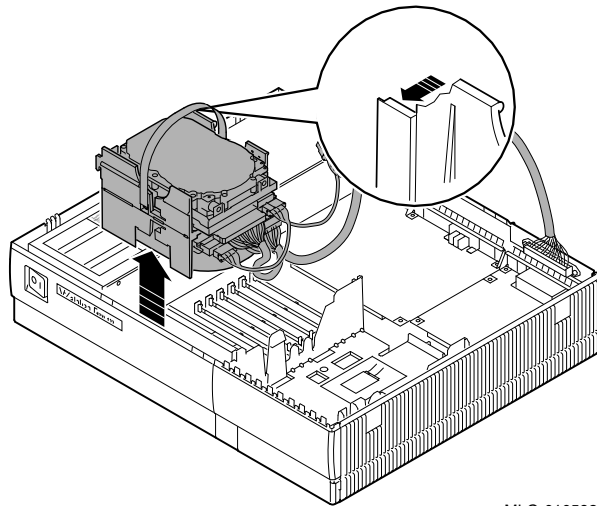
MLO-010581

Upgrade Procedure

Step 5: Remove H-Bracket

To remove the H-bracket from the VAXstation system unit:

1. Push in on the cantilever catch on the bracket (as shown) and lift the bracket straight up with the strap handle.



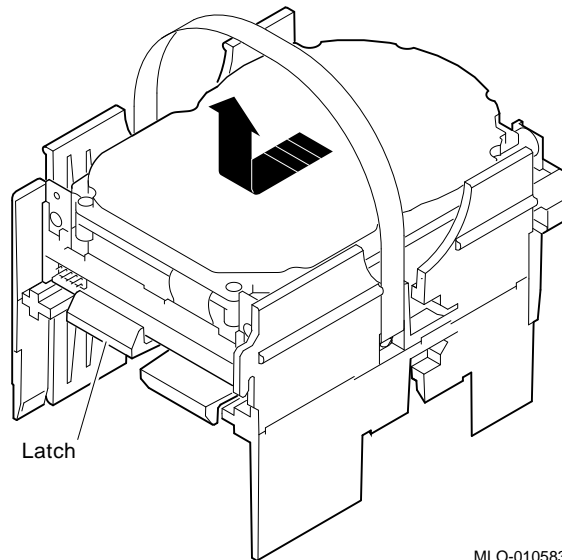
MLO-010582

2. Disconnect the SCSI and power cables from the drives in the bracket.

**Step 6:
Remove Drives
from the
H-Bracket**

To remove a drive from the H-bracket:

1. Press down on the latch on the front of the bracket.
2. Slide the drive forward until you can pull it up and out of the bracket.



MLO-010583

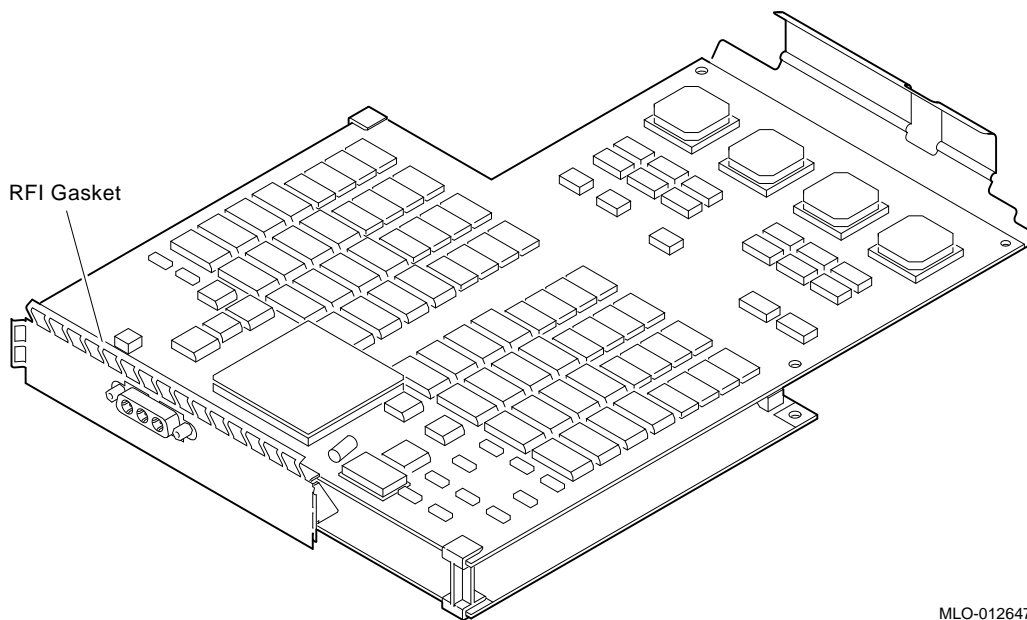
3. Set the drive aside on an antistatic mat.

Upgrade Procedure

Step 7: Remove SPXgt Graphics Module

If your system has an SPXgt graphics module, you must remove it before you can remove the removable-media device from the system unit. If you do not have an SPXgt graphics module, go to Step 8.

Figure 7-1 SPXgt 24-Plane Graphics Module

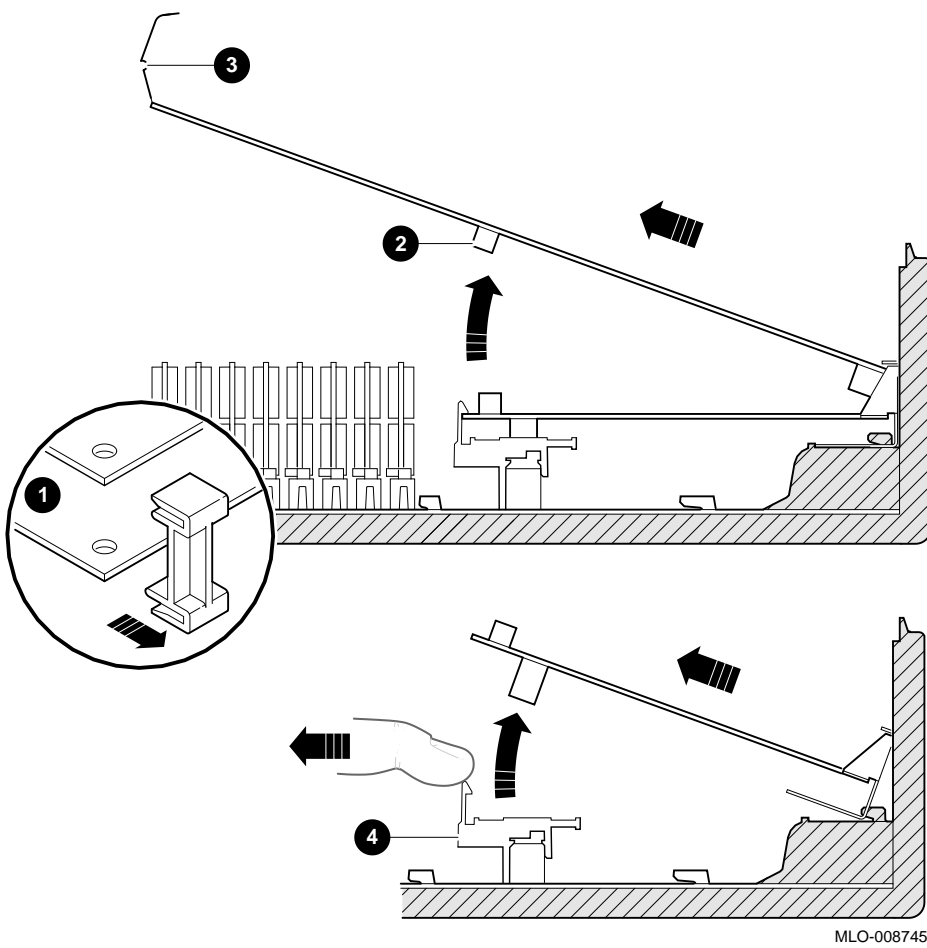


MLO-012647

To remove the graphics module:

1. Remove the plastic E-clip ❶ that holds the graphics module to the frame buffer. (See Figure 7-2).
2. Lift the frame buffer from the center connector ❷, then free it from the ridge ❸ on the disk drive H-bracket. Gently work the frame buffer free by pulling up from the center of the module.
3. Pull the frame buffer out of the RFI gasket (shown in Figure 7-1). The gasket will remain in place, held by the video connector bracket on the graphics module.

Figure 7-2 Removing the SPXgt 24-Plane Graphics Module

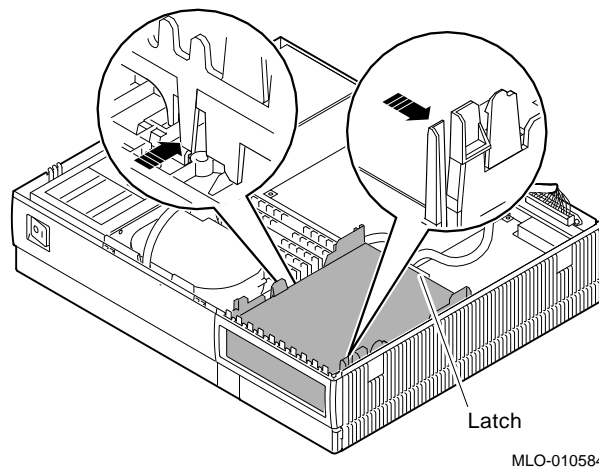


Upgrade Procedure

Step 8: Remove Removable-Media Bracket

To remove the removable-media bracket:

1. Disconnect the SCSI and power cables from the removable-media drive.
2. Push down the latch on the rear of the drive bracket and push the drive back until the front bezel clears the bezel opening in the system unit.



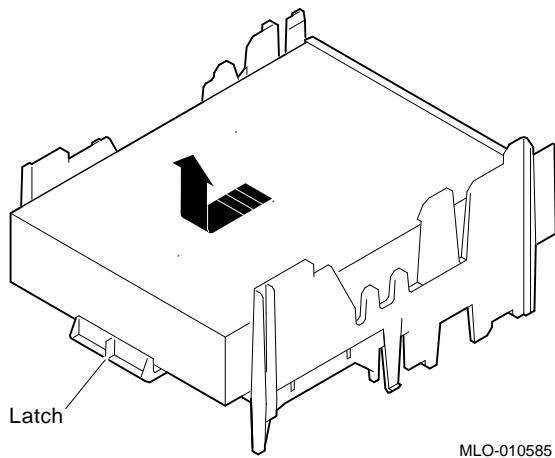
MLO-010584

3. Release the two cantilever catches (shown) on the removable-media bracket and lift the bracket out of the system unit.

**Step 9:
Remove Drive
from Bracket**

To remove the drive from the bracket:

1. Hold down the locking latch and push the drive back to loosen it.
2. Spread apart the cantilever latches on the bracket and lift the drive out.



MLO-010585

3. Set the drive aside on an antistatic mat.

Upgrade Procedure

Step 10: Set the SCSI IDs on the Drives

If your Digital AlphaStation 400 Series system has a factory-installed disk drive, it is set to SCSI ID 0. Check the SCSI ID settings you noted earlier. If one of the drives you are upgrading is also set to SCSI ID 0, change that setting.

SCSI-ID settings for drives can be found in Appendix A.

Step 11: Complete the Upgrade

1. Instructions for installing options that you have removed from your VAXstation and completing the upgrade can be found in the *Digital AlphaStation 400 Series User Information*.
2. Update the customer service contract to the Digital AlphaStation 400 Series.

Step 12: Return Your VAXstation to Digital

To return your VAXstation and any options that are not upgradeable to Digital:

1. Pack the VAXstation and options securely in packing material.
2. Attach the return-address label that was in your upgrade kit and ship the package to Digital.

8

Upgrading a DECstation 5000 Model 20/25/33/50

Topics Covered in This Chapter

- Upgrading your system
- Removing drives
- Completing the upgrade

Upgrade Procedure

Step 1: If Your System Has Factory-Installed Drives

If your Digital AlphaStation 400 Series system has factory-installed drives, you may need to change the SCSI IDs on the drives you are upgrading.

To display the SCSI ID settings of the drives in your DECstation:

1. Enter the command to shut down the software and put the system in console mode: `shutdown -h now`

Upgrade Procedure

2. Enter `cnfg 3` at the console prompt (`>>>`). A screen similar to the following appears:

```
>>> cnfg 3
3:      KNO2  DEC  Vn.n    TCF0                (12 MB)
-----
      DEV  PID      VID    REV    SCSI ID
-----
      rz2  RZ24  (C) DEC    0700  DIR
      rz5  RX26  (C) DEC    0700  SEQ
```

This sample display shows an RZ24 drive set to SCSI ID 2 and an RX26 drive set to SCSI ID 5.

Write down the names of your system drives and SCSI ID settings here. You will need them for future use.

Step 2: Shut Down System

Turn off the system unit by pressing **O** on the On/Off switch on the back of the system unit.

Caution: After you turn off the system, wait 15 seconds before you unplug the power cord.

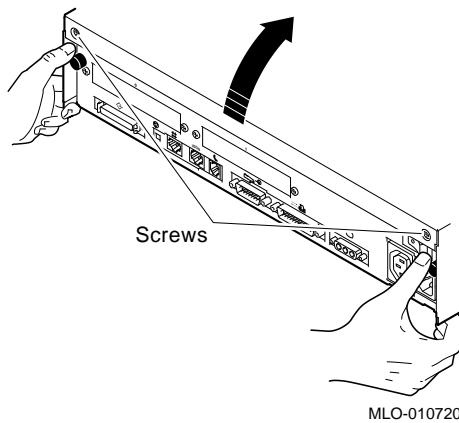
Step 3: Disconnect Cables

Disconnect all the cables from the back of the system unit.

Disconnect the power cord from the wall outlet and then from the system unit.

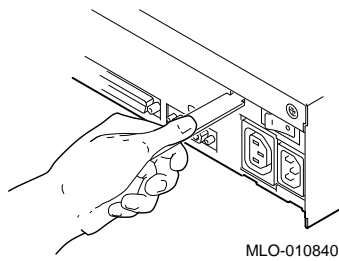
**Step 4:
Remove Cover**

1. Remove the two Phillips screws on the right and left top corners of the system unit cover.
2. Place the system unit so that the back of the unit extends over the edge of a table or desk.
3. Place your thumbs on top of the two black rubber caps on the back of the system unit, and place your fingers under the cover's bottom edge. Press with your thumbs, and, at the same time, pull up with your fingers to lift the cover.



Upgrade Procedure

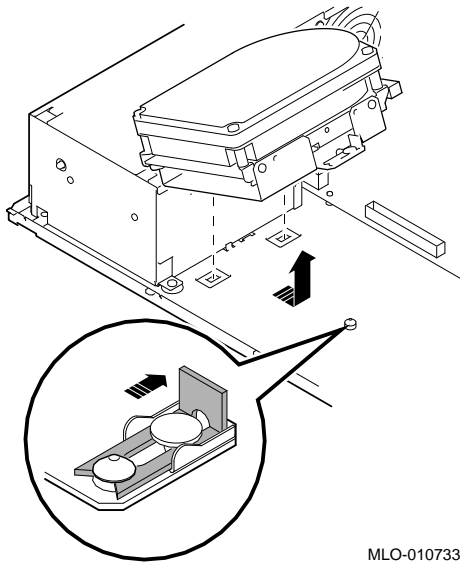
Hint: If you have difficulty opening the enclosure, you can use a tool to pry up the cover as shown here.



4. Pivot the cover on the tabs that run along the system unit's front edge.
5. Push the system unit cover forward and away until it releases from the tabs.
6. Place the cover aside.

**Step 5:
Remove Fixed
Disk Drives**

1. Disconnect the drive SCSI and power cables from the system module.
2. Press down on the disk drive and unlock the sliding latch from the locking post.
3. Lift the drive off the locking post and out of the chassis cutouts.



4. Disconnect the power and SCSI cables from the drive.
5. Remove the drive mounting bracket by removing the four screws that secure the mounting bracket to the drive.
6. Set the drives aside on an antistatic mat.
7. Put all the disconnected cables back into the system unit.

**Step 6: Set the
SCSI IDs on the
Drives**

If your Digital AlphaStation 400 Series system has a factory-installed disk drive, it is set to SCSI ID 0. Check the SCSI ID settings you noted earlier. If one of the drives you are upgrading is also set to SCSI ID 0, change that setting.

SCSI ID settings for drives can be found in Appendix A.

Upgrade Procedure

Step 7: Complete the Upgrade

1. Instructions for installing options that you have removed from your DECstation and completing the upgrade can be found in the *Digital AlphaStation 400 Series User Information*.
2. Update the customer service contract to the Digital AlphaStation 400 Series system.

Step 8: Return Your DECstation to Digital

To return your DECstation and any options that are not upgradeable to Digital:

1. Pack the DECstation and options securely in packing material.
2. Attach the return-address label that was in your upgrade kit, and ship the package to Digital.

9

Upgrading a DECstation 5000 Model 120/125/133/150

Topics Covered in This Chapter

- Upgrading your system
- Removing drives
- Completing the upgrade

Upgrade Procedure

Step 1: If Your System Has Factory-Installed Drives

If your Digital AlphaStation 400 Series system has factory-installed drives, you may need to change the SCSI IDs on the drives you are upgrading.

To display the SCSI ID settings of the drives in your system:

1. Enter the command to shut down the software and put the system in console mode: `shutdown -h now`

Upgrade Procedure

2. Enter `cnfg 3` at the console prompt (`>>>`). A screen similar to the following appears:

```
>>> cnfg 3
3: KNO2  DEC  Vn.n  TCF0 (8 MB)
                               (enet: 08-00-2b-30-14-df)
                               (SCSI = 7)

-----
          DEV  PID      VID  REV  SCSI ID
-----
rz2      RZ24 (C) DEC DEC 0700  DIR
rz5      Rrd42 (C) DEC DEC 0700  CD-ROM
```

This sample display shows an RZ24 drive set to SCSI ID 2 and an RRD42 drive set to SCSI ID 5.

Write down the names of your system drives and SCSI ID settings here. You will need them for future use.

Step 2: Shut Down System

Turn off the system unit by pressing **O** on the On/Off switch on the back of the system unit.

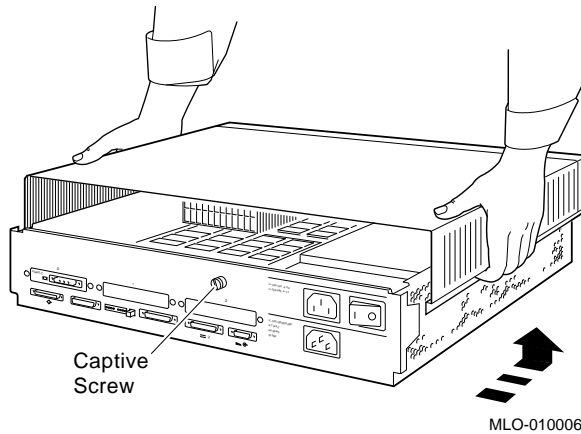
Caution: After you turn off the system, wait 15 seconds before you unplug the power cord.

Step 3: Disconnect Cables

Disconnect all the cables from the back of the system unit. Disconnect the power cord from the wall outlet and then from the system unit.

**Step 4:
Remove
System Cover**

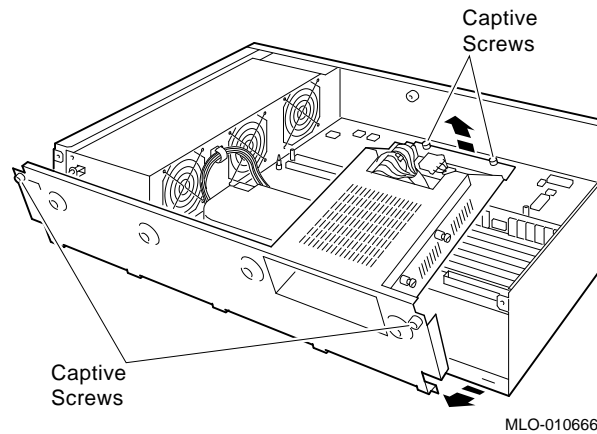
1. Loosen the captive screw on the back of the system unit. This captive screw can be loosened but not removed.
2. Grasp each side of the cover with your hands, and pull the cover straight toward the front about 5.5 cm (2 inches). Pull the cover up and set it aside.



Upgrade Procedure

Step 5: Remove Front Drive Panel

1. Loosen the two captive screws that hold the front drive panel in place.
2. Loosen the two captive screws on the back of the drive bracket.
3. If there is a drive inside the bracket, disconnect the SCSI and power cables from the drive.



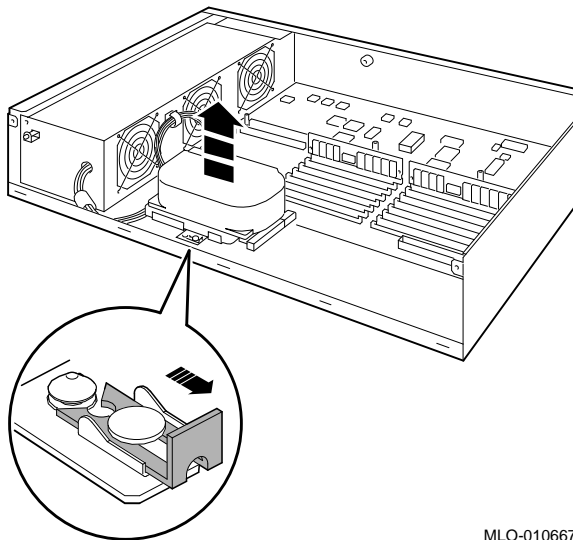
4. Pull up carefully from the back of the drive bracket. As you raise the end of the bracket, you can pull the disconnected ends of the cables through the cutout in the bracket.
5. Release the cables from the cable clamps on the inside of the front panel.
6. Set the front panel aside. Handle it carefully if it contains a drive.

**Step 6:
Remove
Removable
Media Drives**

1. Loosen the captive screws on either side of the drive bracket.
2. Slide the drive out of the bracket and through the opening in the front panel.
3. Set the drive aside on an antistatic mat.

**Step 7:
Remove Fixed
Disk Drives**

1. Press down on the disk drive and unlock the sliding latch.
2. Lift the drive off the mounting post and out of the chassis cutouts.



MLO-010667

3. Disconnect the power and SCSI cables from the drive. Pull on the SCSI cable connector flap to remove the connector.
4. Remove the drive mounting bracket by removing the four screws that secure the mounting bracket to the drive.
5. Set the drive aside on an antistatic mat.
6. Put all the disconnected ends of the cables back into the system unit.

Upgrade Procedure

Step 8: Set the SCSI IDs on the Drives

If your Digital AlphaStation 400 Series system has a factory-installed disk drive, it is set to SCSI ID 0. Check the SCSI ID settings you noted earlier. If one of the drives you are upgrading is also set to SCSI ID 0, change that setting.

SCSI ID settings for drives can be found in Appendix A.

Step 9: Complete the Upgrade

1. Instructions for installing options that you have removed from your DECstation and completing the upgrade can be found in the *Digital AlphaStation 400 Series User Information*.
2. Update the customer service contract to the Digital AlphaStation 400 Series system.

Step 10: Return Your DECstation to Digital

To return your DECstation and any options that are not upgradeable to Digital:

1. Pack the DECstation and options securely in packing material.
2. Attach the return-address label that was in your upgrade kit, and ship the package to Digital.

10

Upgrading a DECstation 5000 Model 200/240/260

Topics Covered in This Chapter

- Upgrading your system
- Completing the upgrade

External Options Only

You can only upgrade the expansion boxes connected to your DECstation 5000 Model 200/240/260 to the Digital AlphaStation Model 400 system.

Upgrade Procedure

Step 1: If Your System Has Factory-Installed Drives

If your Digital AlphaStation Model 400 system has factory-installed drives, you may need to change the SCSI IDs on the drives you are upgrading.

To display the SCSI ID settings of the drives in your expansion box:

1. Enter the command to shut down the software and put the system in console mode: `shutdown -h now`

Upgrade Procedure

2. Enter `cnfg 3` at the console prompt (`>>>`). A screen similar to the following appears:

```
>>> cnfg 3
3:      KNO2  DEC  Vn.n    TCF0                (12 MB)
-----
      DEV  PID      VID    REV    SCSI ID
-----
      rz2  RZ24  (C) DEC    0700  DIR
      rz5  RX26  (C) DEC    0700  SEQ
```

This sample display shows an RZ24 drive set to SCSI ID 2 and an RX26 drive set to SCSI ID 5.

Write down the names of your system drives and SCSI ID settings here. You will need them for future use.

Step 2: Shut Down System

Turn off the system unit by pressing **O** on the On/Off switch on the back of the system unit.

Caution: After you turn off the system, wait 15 seconds before you unplug the power cord.

Step 3: Disconnect Cables

Disconnect all the cables from the back of the system unit.

Disconnect the power cord from the wall outlet and then from the system unit.

Step 4: Set the SCSI IDs on the Drives

If your Digital AlphaStation Model 400 system has a factory-installed disk drive, it is set to SCSI ID 0. Check the SCSI ID settings you noted earlier. If one of the drives you are upgrading is also set to SCSI ID 0, change that setting.

Settings for drives can be found in the expansion box documentation.

Step 5: Complete the Upgrade

1. Follow the instructions in the *Digital AlphaStation 400 Series User Information* to complete the upgrade.
2. Update the customer service contract to the Digital AlphaStation Model 400 system.

Step 6: Return Your DECstation to Digital

To return your DECstation and any options that are not upgradeable to Digital:

1. Pack the DECstation and options securely in packing material.
2. Attach the return-address label that was in your upgrade kit, and ship the package to Digital.

Upgrading Other Systems

No Options Can Be Upgraded

There are no options that you can remove from systems, such as a VAXstation I, VAXstation II, VAXstation 2000, VAXstation 3100, VAXstation 3200, or VAXstation 3500, and install in your Digital AlphaStation 400 Series system.

Upgrade Procedure

To upgrade your current system, follow the two steps listed below.

Step 1: Return Your System to Digital

Return your system and any options to Digital.

1. Pack the system and options securely in packing material.
2. Attach the return-address label that was in your upgrade kit and ship the package to Digital.

Step 2: Update Service Contract

After installing your new system, update the customer service contract to the Digital AlphaStation 400 Series system.

A

SCSI ID Settings for Drives

Setting a Unique SCSI Address

Each internal drive has a SCSI address that must be unique. If more than one drive is set to the same SCSI address, the system cannot communicate with the drives.

When your drive arrives from the factory, all SCSI jumpers may be attached so that they are not lost during shipment. If this is the case, the address is set to 7, and must be changed.

TURBOchannel modules and memory modules do not have SCSI addresses.

This appendix contains an illustration for each of the drives supported on the Digital AlphaStation 400 Series system.

Selecting SCSI ADDRESS

There are six possible SCSI ID settings (SCSI ID setting 7 is reserved for the controller). The following table shows the settings that Digital recommends.

Drive Type	SCSI ID Setting
Fixed disk drive	0,1,2,3
Compact disk drive	4
Tape or diskette drive	5
Tape or diskette drive	6

Changing the Setting

Follow these steps to change a SCSI ID setting:

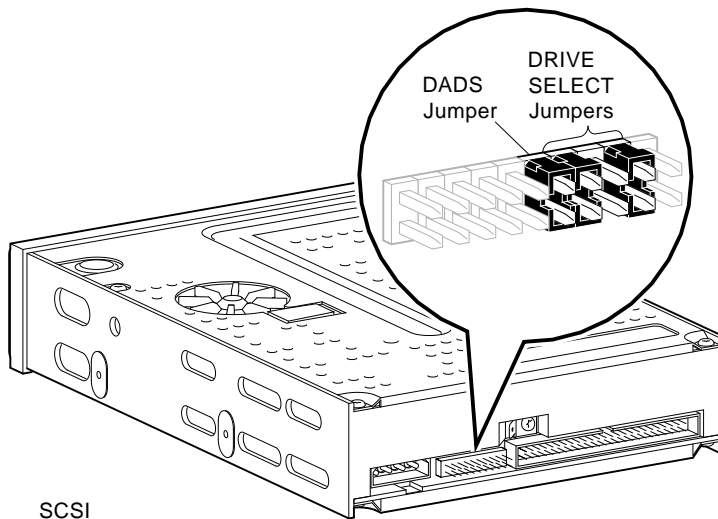
Jumpers:

Jumpers are removable electrical connectors. Carefully remove or replace jumpers using tweezers or another small tool. Save any SCSI jumpers you remove; you may need them later.

Switches:

Carefully set the switches using a small pointed instrument, such as the tip of a ball point pen. Do not use a pencil to set the SCSI switches; graphite particles can damage switches.

Figure A-1 TZK11 Tape Drive SCSI ID Settings



SCSI
Address
Settings: 0



4



1



5



2



6



3

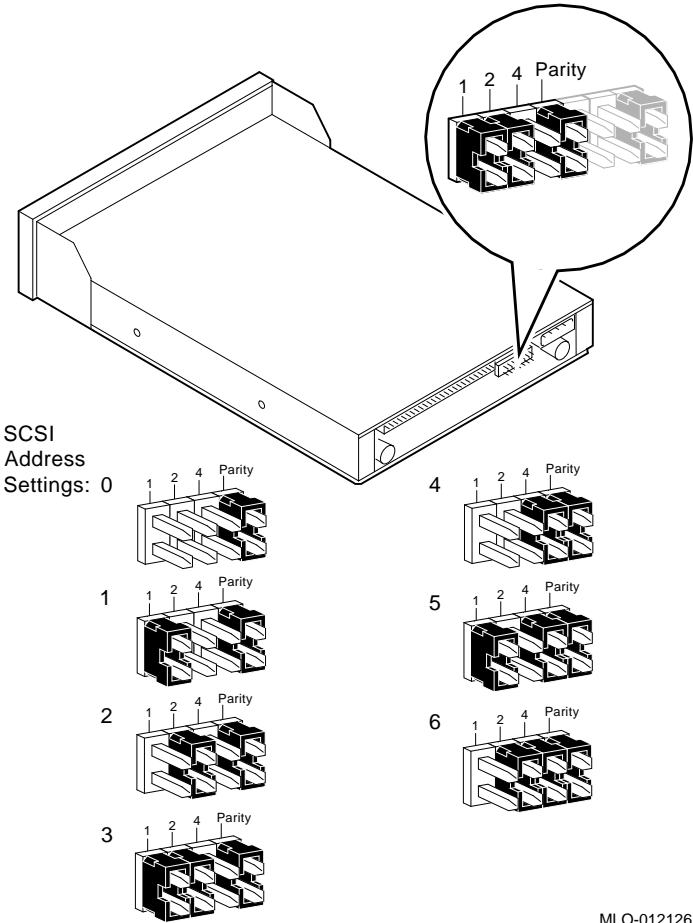


MLO-010276

The DADS Jumper

Before using the TZK11 drive, configure the drive; that is, check the DADS jumper to make sure it is set for the desired operating system. The DADS jumper is the fifth jumper from the right side, and must be in place for both OpenVMS AXP and DEC OSF/1 AXP operating systems.

Figure A-2 RRD43 Compact Disk Drive SCSI ID Settings

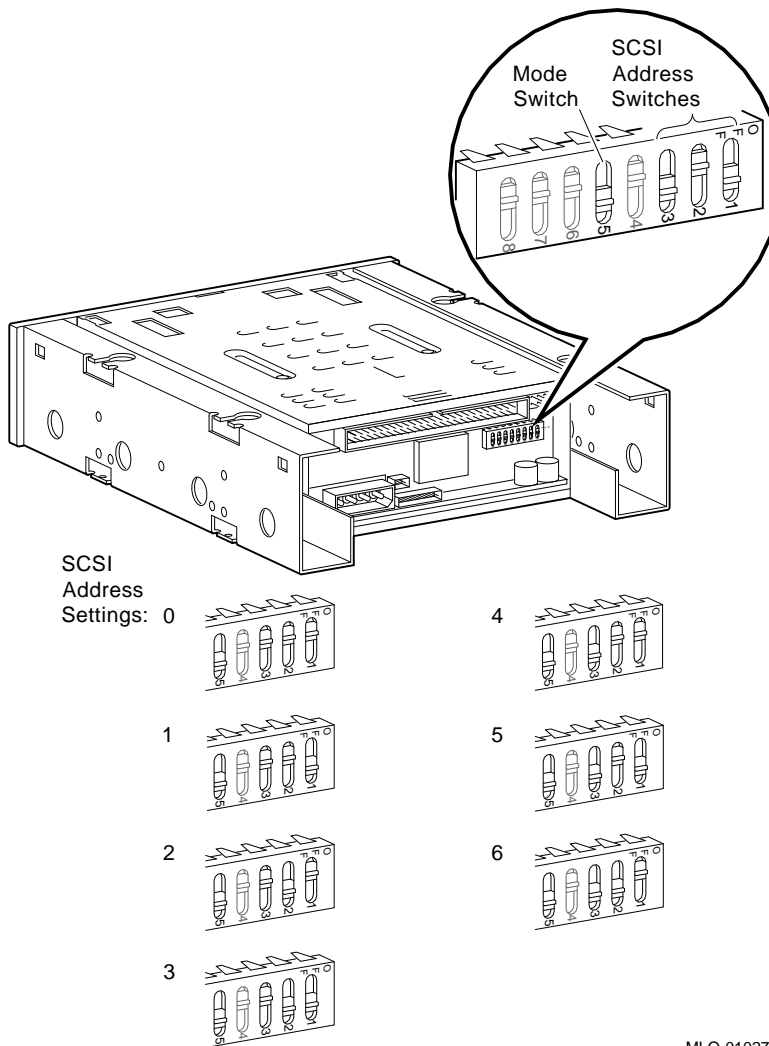


MLO-012126

Mode (Parity) Jumper

The mode (parity) jumper allows the drive to work with your operating system. The jumper must be in place for both Open VMS AXP and DEC OSF/1 AXP operating systems.

Figure A-3 TLZ06/07 Tape Drive SCSI ID Settings

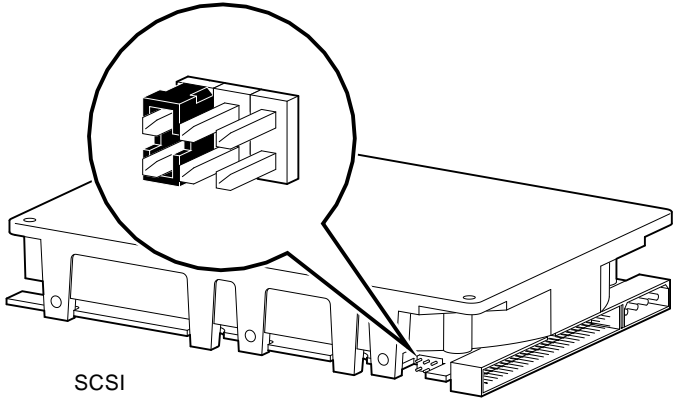


MLO-010277

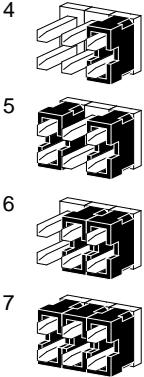
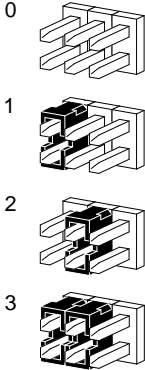
Mode Switch

Switch 5 (mode) allows the drive to work with your operating system, and must be down for both OpenVMS AXP and DEC OSF/1 AXP operating systems.

Figure A-4 RZ25L Fixed Disk Drive SCSI Settings

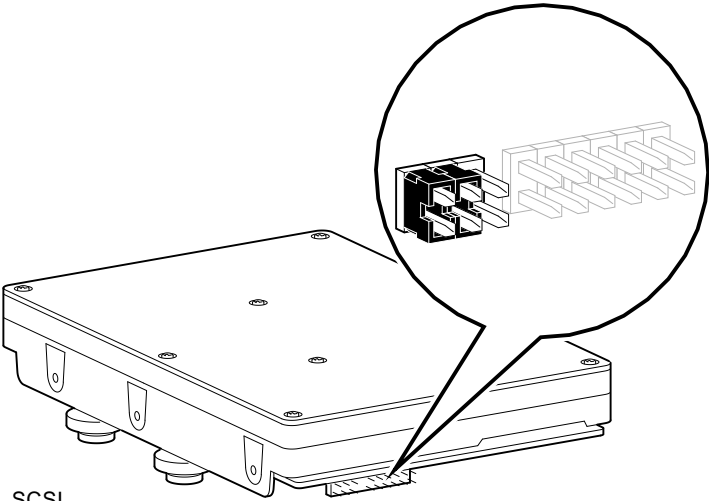


SCSI
Address
Settings: 0

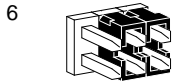
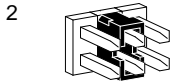
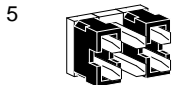
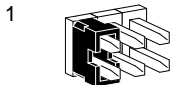
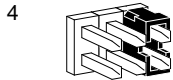
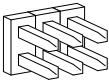


MLO-010904

Figure A-5 RZ26L Fixed Disk Drive SCSI Settings

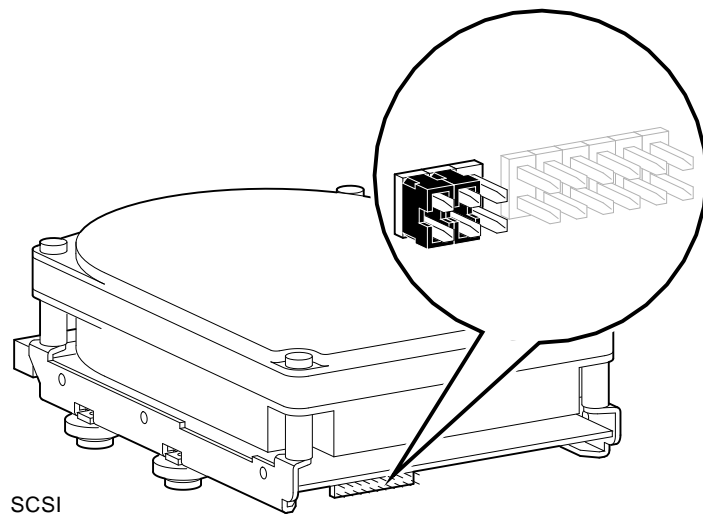


SCSI
Address
Settings: 0



MLO-011277

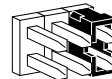
Figure A-6 RZ28 Fixed Disk Drive SCSI Settings



SCSI
Address
Settings: 0



4



1



5



2



6



3



MLO-011180