



DIGITAL PowerStorm 4D60T Bracket for the DIGITAL Custom AlphaServer 4100 Installation Information

EK-CATBR-IG. A01

November, 1997

Introduction

The 2T-CATUP-HL bracket kit is used to modify the DIGITAL PowerStorm 4D60T graphics option so that the graphics option can be installed in a DIGITAL custom AlphaServer 4100 system.

The following table contains a list of the hardware included in the 2T-CATUP-HL bracket kit.

Description	Part Number	Quantity
Card extender	74-52728-01	1
PCI module plate	74-52727-01	1
PCI air flow plate	74-52726-01	1
Installation Instructions	EK-CATBR-IG	1

Installation Procedure

Refer to the following procedure to install the bracket kit on the PowerStorm 4D60T graphics option and to install the modified graphics option in the custom AlphaServer 4100 system.

Caution

Static electricity can damage sensitive electronic components. When handling the graphics option, use an antistatic wriststrap that is connected to a grounded surface on your computer system.

1. Put on an antistatic wriststrap.

Caution

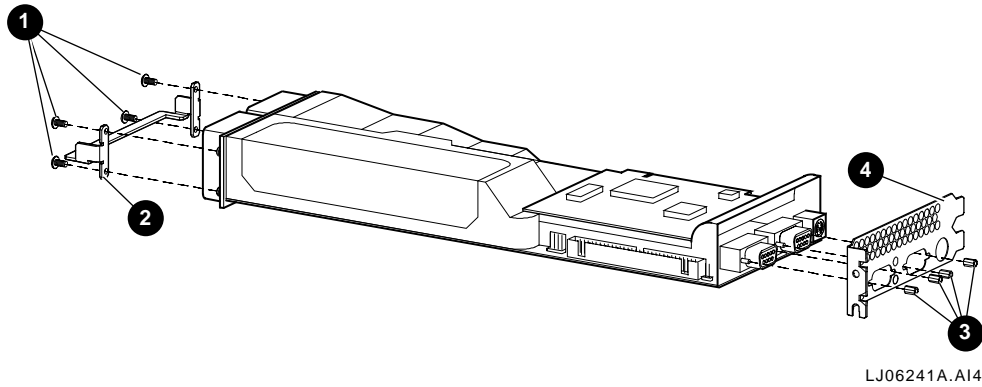
An antistatic wriststrap must be worn when handling any module to prevent damage to the module.

2. Remove the four screws ❶ that secure the original card extender ❷ to the rear of the PowerStorm 4D60T module (see Figure 1). Save two of the screws for installing the new card extender.
3. Remove the four screws ❸ that secure the original PCI module plate ❹ to the front of the PowerStorm 4D60T module (see Figure 1). Save these four screws for installing the new PCI module plate.

© Digital Equipment Corporation. 1997. All Rights Reserved.

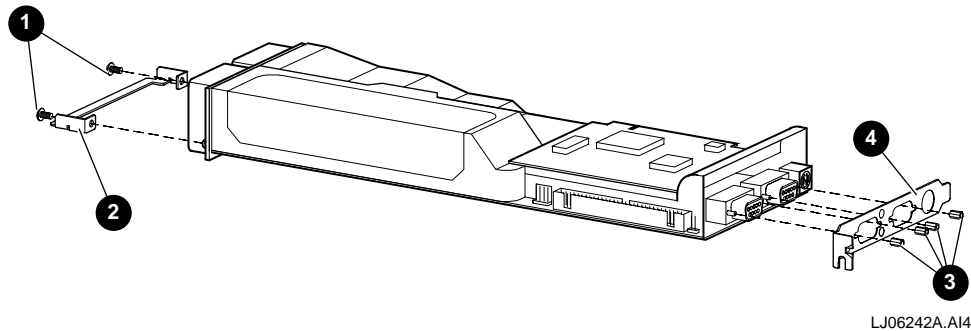
TM AlphaServer, DIGITAL, PowerStorm, and the DIGITAL logo is a trademark of Digital Equipment Corporation.

Figure 1 Removing the PowerStorm 4D60T Brackets



4. Use two of the screws ❶ removed in step 2 to secure the new card extender ❷ to the rear of the PowerStorm 4D60T module (see Figure 2).
5. Use the four screws ❸ removed in step 3 to secure the new PCI module plate ❹ to the front of the PowerStorm 4D60T module (see Figure 2).

Figure 2 Installing the New PowerStorm 4D60T Brackets



6. Perform an orderly shutdown of the DIGITAL custom AlphaServer 4100 operating system.
7. Remove the front bezel from the DIGITAL custom AlphaServer 4100 chassis by pressing in at the bottom of the two pull loops on the front bezel to rotate them down and out from the bezel and using them to pull the bezel away from the chassis.
8. Place the DC On/Off button on the DIGITAL custom AlphaServer 4100 operator control panel in the Off position. Disconnect the power cord(s) from the power supply ac input receptacle(s) on the front of the chassis.
9. Extend the DIGITAL custom AlphaServer 4100 chassis for service by removing the four screws that secure the chassis to the front rails and pulling the chassis forward until the slides lock in the extended position.

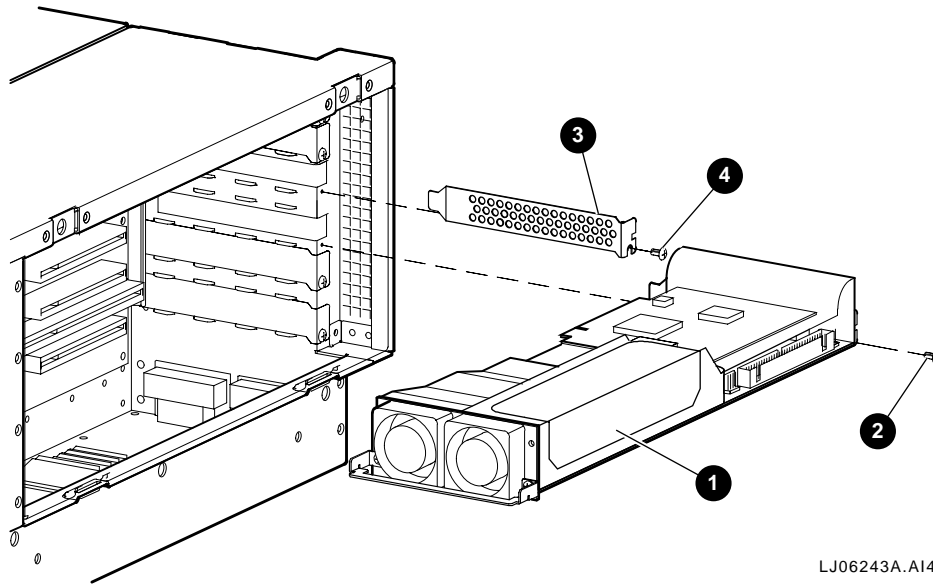
WARNING

Before extending the chassis for service, ensure that the cabinet is stable and that all provided stabilizing features have been activated. The stabilizing features for the rack or cabinet are configuration dependent.

10. Remove the right side cover from the DIGITAL custom AlphaServer 4100 chassis by loosening the two captive screws along the top edge of the right side cover and tilting the top of the right side cover out from the chassis. Lift the right side cover until the tabs along the bottom edge come out of the slots in the chassis and then pull the right side cover out and away from the chassis.

11. Select a PCI option slot pair with 0.8 inch spacing for installing the PowerStorm 4D60T graphics option.
12. Remove the two screws and two metal filler plates from the rear bulkhead for the two PCI slots that were selected. Save these screws for securing the PowerStorm 4D60T graphics module and the PCI air flow plate.
13. Insert the PowerStorm 4D60T graphics module ❶ into the bottom slot of the slot pair selected and push the module firmly into the PCI socket(s) (see Figure 3).
14. Secure the module in place with one of the screws ❷ that were removed in step 12 (see Figure 3).
15. Slide the PCI air flow plate ❸ into the rear bulkhead opening for the top slot of the slot pair selected and secure it in place with the other screw ❹ that was removed in step 12 (see Figure 3).

Figure 3 Installing the PowerStorm 4D60T Graphics Option



LJ06243A.A14