



AlphaServer ES40

Rackmount System Installation Guide

Order Number: EK-ES240-RG. B01

This guide is for service providers and self-maintenance customers who are installing an AlphaServer ES40 system into an M-Series cabinet.

First Printing, April 1999

Revised, May 1999

The information in this publication is subject to change without notice.

COMPAQ COMPUTER CORPORATION SHALL NOT BE LIABLE FOR TECHNICAL OR EDITORIAL ERRORS OR OMISSIONS CONTAINED HEREIN, NOR FOR INCIDENTAL OR CONSEQUENTIAL DAMAGES RESULTING FROM THE FURNISHING, PERFORMANCE, OR USE OF THIS MATERIAL. THIS INFORMATION IS PROVIDED "AS IS" AND COMPAQ COMPUTER CORPORATION DISCLAIMS ANY WARRANTIES, EXPRESS, IMPLIED OR STATUTORY AND EXPRESSLY DISCLAIMS THE IMPLIED WARRANTIES OF MERCHANTABILITY, FITNESS FOR PARTICULAR PURPOSE, GOOD TITLE AND AGAINST INFRINGEMENT.

This publication contains information protected by copyright. No part of this publication may be photocopied or reproduced in any form without prior written consent from Compaq Computer Corporation.

© 1999 Digital Equipment Corporation.

All rights reserved. Printed in the U.S.A.

The software described in this guide is furnished under a license agreement or nondisclosure agreement. The software may be used or copied only in accordance with the terms of the agreement.

COMPAQ and the Compaq logo are registered in United States Patent and Trademark Office. Tru64 is a trademark of Compaq Computer Corporation. AlphaServer and OpenVMS are trademarks of Digital Equipment Corporation. UNIX is a registered trademark in the U.S. and other countries, licensed exclusively through X/Open Company Ltd.

Microsoft, Windows, and Windows NT are registered trademarks of Microsoft Corporation.

Other product names mentioned herein may be the trademarks of their respective companies.

Warning! This is a Class A product. In a domestic environment this product may cause radio interference in which case the user may be required to take adequate measures.

Achtung! Dieses ist ein Gerät der Funkstörgrenzwertklasse A. In Wohnbereichen können bei Betrieb dieses Gerätes Rundfunkstörungen auftreten, in welchen Fällen der Benutzer für entsprechende Gegenmaßnahmen verantwortlich ist.

Attention! Ceci est un produit de Classe A. Dans un environnement domestique, ce produit risque de créer des interférences radioélectriques, il appartiendra alors à l'utilisateur de prendre les mesures spécifiques appropriées.

警告使用者:

這是甲類的資訊產品，在居住的環境中使用時，可能會造成射頻干擾，在這種情況下，使用者會被要求採取某些適當的對策。

に基づくクラスA情報技術装置です。この装置を家庭環境で使用すると電波妨害を引き起こすことがあります。この場合には使用者が適切な対策を講ずるよう要求されることがあります。

FCC Notice: This equipment generates, uses, and may emit radio frequency energy. The equipment has been type tested and found to comply with the limits for a Class A digital device pursuant to Part 15 of FCC rules, which are designed to provide reasonable protection against such radio frequency interference.

Operation of this equipment in a residential area may cause interference in which case the user at his own expense will be required to take whatever measures may be required to correct the interference.

Any modifications to this device—unless expressly approved by the manufacturer—can void the user's authority to operate this equipment under part 15 of the FCC rules.

Contents

Chapter 1 Installing a System into a Cabinet

1.1	Shipment Contents	2
1.2	Attaching Mounting Brackets to the System	4
1.3	Marking the Cabinet Installation Area	6
1.4	Preparing the Cabinet	8
1.5	Attaching Slides	10
1.6	Stabilizing the Cabinet	12
1.7	Installing the System	14
1.8	Installing the Interlock System	16
1.9	Installing the Cable Management Arm	18
1.10	Dressing the Cables	20
1.11	Attaching the Front Bezel	22

Preface

Intended Audience

This manual is for service providers or self-maintenance customers who are installing a Compaq AlphaServer ES40 system into an AlphaServer M-Series cabinet.

Document Structure

This manual uses a structured documentation design. Topics are organized into small sections, consisting of two facing pages. Topics begin with an abstract that provides an overview of the section, followed by an illustration. The facing page contains procedures.

Description

This document gives instructions for installing an AlphaServer ES40 system into one of the following AlphaServer M-Series cabinets:

- H9A10 M-Series Medium Cabinet
- H9A15 M-Series Tall Cabinet

If you are using a different cabinet, install rack stabilizing feet or provide other means to stabilize the cabinet before installing a system.

A cardboard template is included in your shipment for marking the holes where you will be mounting hardware. If you do not have the template, use the H9A10 or H9A15 M-Series documentation, listed in Table 1, to determine the mounting holes. The M-Series documentation also provides configuration rules.

Additional information on the AlphaServer M-Series cabinets is available on the World Wide Web:

<http://www.digital.com/alphaserver/products/m-series.html>

Table 1 Compaq AlphaServer ES40 Documentation

Title	Order Number
User Documentation Kit	QZ-01BAA-GZ
Owner's Guide	EK-ES240-UG
User Interface Guide	EK-ES240-UI
Basic Installation	EK-ES240-PD
Release Notes	EK-ES240-RN
Documentation CD (6 languages)	AG-RF9HA-BE
Maintenance Kit	QZ-01BAB-GZ
Service Guide	EK-ES240-SV
Service Guide HTML Diskette	AK-RFXDA-CA
Illustrated Parts Breakdown	EK-ES240-IP
Loose Piece Items	
Rackmount Installation Guide	EK-ES240-RG
Rackmount Installation Template	EK-ES4RM-TP
Cabinet Documentation	
H9A10 M-Series Cabinet Interconnect	B-IC-H9A10-5-DBM
H9A10 M-Series Cabinet Configurations	B-IB-H9A10-5-DBM
H9A10 M-Series Cabinet Illustrated Parts Breakdown	EK-H9A10-IP
H9A15 M-Series Cabinet Interconnect	B-IC-H9A15-5-DBM
H9A15 M-Series Cabinet Configurations	B-IB-H9A15-5-DBM
H9A15 M-Series Cabinet Illustrated Parts Breakdown	EK-H9A15-IP

Chapter 1

Installing a System into a Cabinet

This chapter gives procedures for installing an AlphaServer ES40 rackmount system into a cabinet.



WARNING: The system is very heavy. Do not attempt to lift it manually. Use a material lift or other mechanical device to lift the system. At least two people are required to perform the installation.

You need the following tools for the installation:

#2 Phillips screwdriver

5/16-inch hex socket

Extension bar for socket

5/64-inch Allen head wrench

2.5 mm Allen head wrench

Material lift or lift table

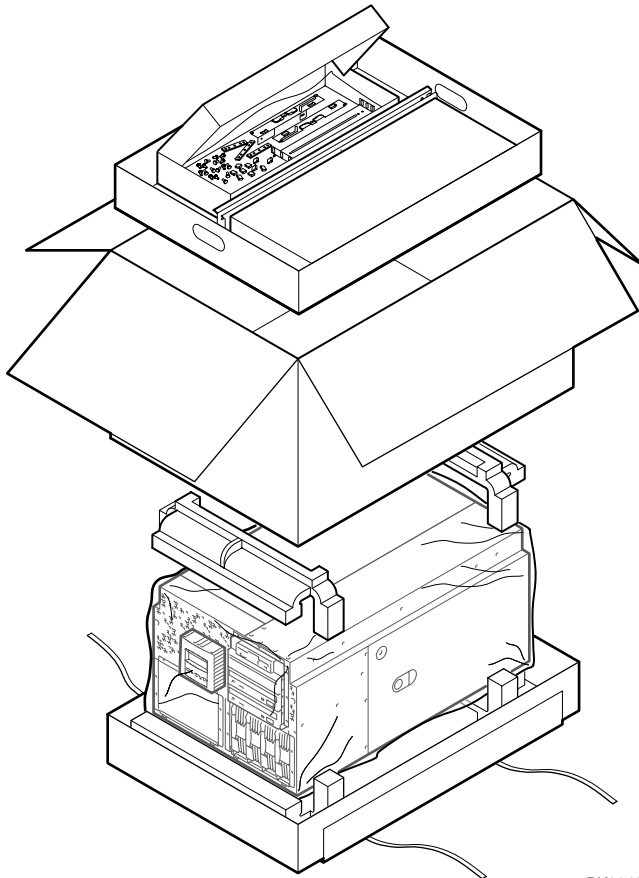
1.1 Shipment Contents

Remove the accessories box, then lift the cardboard from the system.



WARNING: Use a material lift or other mechanical device to move the system to the work area.

Figure 1-1 Unpacking the System



PK0249

Check the contents of the accessories box against the list in Table 1-1.

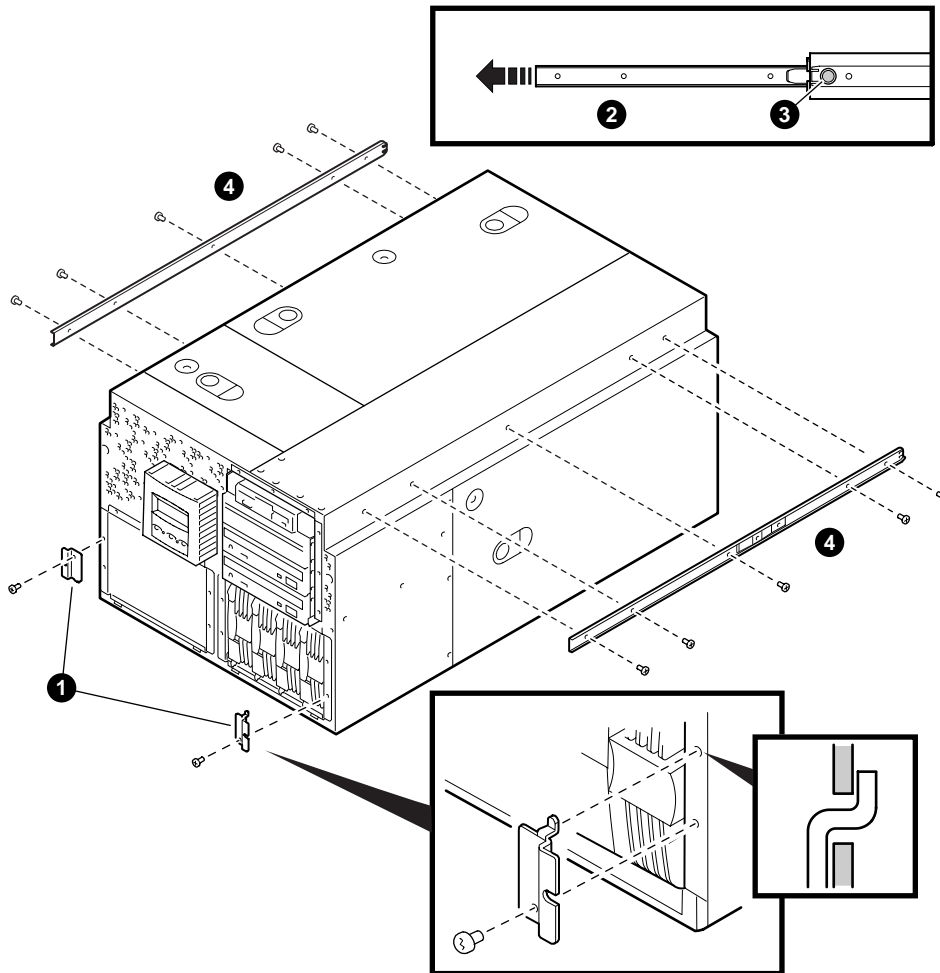
Table 1-1 Accessories List

	Part Number	Quantity
Accessories for Mounting		
Front bezel assembly	70-40129-01	1
Ball bearing slides	12-49881-01	1 set
Cable management arm	70-40177-01	1
Pivot rod stabilizer bracket	74-48996-01	1
Actuator latch	74-60579-01	1
Poly bag with mounting hardware (see below)		1
Mounting Hardware		
Slide brackets	74-53563-01	4
Front mounting brackets	74-53924-01	2
10-32, 5-hole nut bar	74-51531-01	2
10-32, 8-hole nut bar	74-46418-01	2
M4, 2-hole nut bar	74-60633-01	4
M4, 2-hole, 2 perforations, nut bar	74-60632-01	4
10-32 x 0.5 hex head screws	90-00061-44	16
10-32 U-nuts	90-07786-00	2
M4 x 10 mm socket button head cap screw	N/A	26
M3 x 10 mm pan head Phillips screw	90-09984-21	2
Plastic cable clamp	N/A	1

1.2 Attaching Mounting Brackets to the System

To prepare the system for installation, attach mounting brackets.

Figure 1-2 Attaching Mounting Brackets and Slides



PK0241

CAUTION: *The slides are lightly greased. Handle them carefully to avoid soiling your clothing.*

1. Attach a front mounting bracket ❶ along each edge, using one hex screw per bracket.

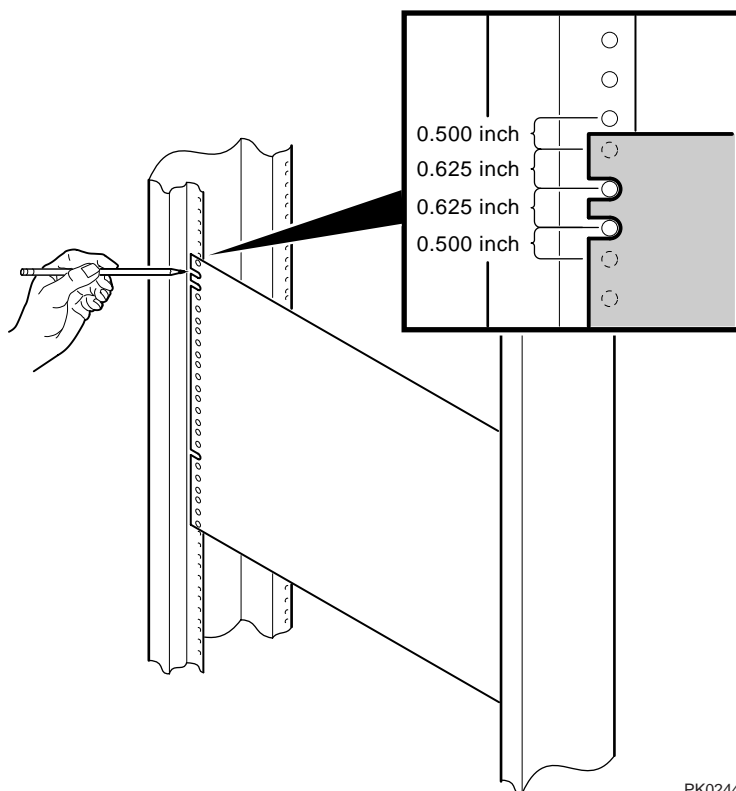
Make sure that on the right side, the tab on the bracket faces up and on the left side, it faces down.

2. Pull the narrow segment of the slide ❷ out and detach it completely by pressing the green release button ❸ and continuing to pull.
3. Attach the narrow segment of the slide to the system with five cap screws ❹.
4. Repeat the procedure for the other slide.

1.3 Marking the Cabinet Installation Area

Use the cardboard template to mark the holes where you will be mounting the hardware.

Figure 1-3 Hole Pattern



PK0244

The installation of the rackmount system requires 14 inches (8U) of vertical height in the cabinet.

NOTE: *If you do not have the cardboard template, see the AlphaServer M-Series cabinet documentation for hole numbers and instructions.*

Mark the Front of the Cabinet

1. Starting at the front of the cabinet, match the hole pattern.
2. Mark the six holes where you will be mounting hardware.
3. Turn the template over to mark the back of the system.

Mark the Back of the Cabinet

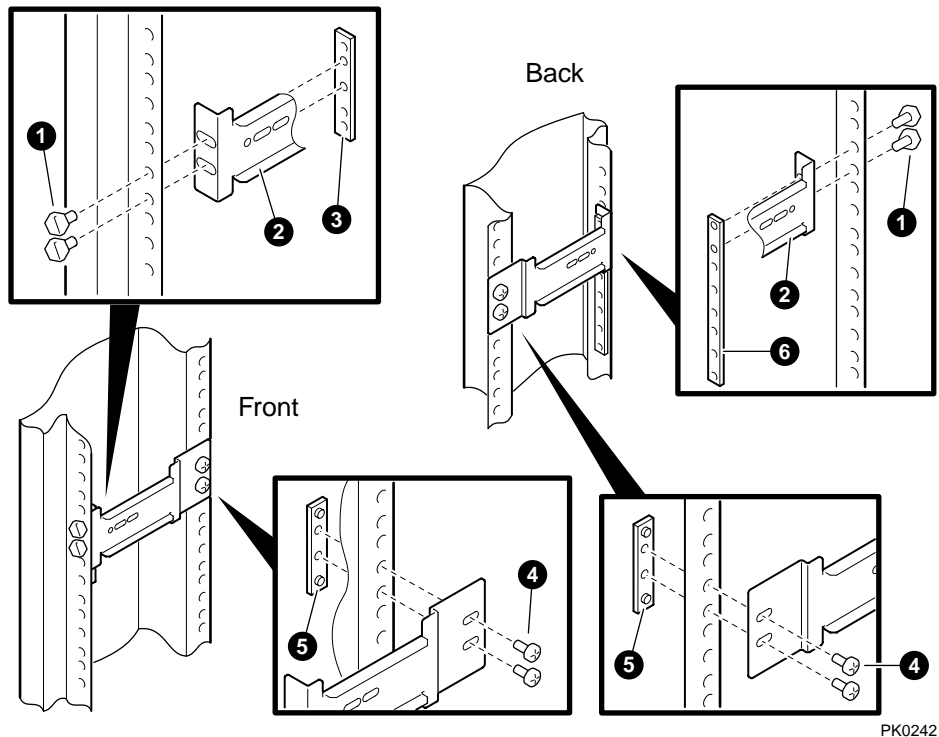
4. Make sure the first hole you mark on the back is at the same vertical location as the first hole you marked on the front.
5. Mark the eight holes where you will be mounting hardware.

CAUTION: *After using the template to mark the holes, check your work. Count the holes to make sure you marked them correctly.*

1.4 Preparing the Cabinet

To prepare the cabinet, attach the slide brackets.

Figure 1-4 Attaching Slide Brackets



PK0242

Front

1. Starting at the top marked hole, put two hex screws ❶ through the cabinet rail and the slide bracket ❷. Fasten with a 5-hole nut bar ❸ using the second and third holes from the top.
2. Insert two cap screws ❹ through the slide bracket and the cabinet rail. Fit the perforations of a 2-hole, 2-perforation nut bar ❺ into the holes in the cabinet rail and fasten.
3. Repeat the procedure for the other rail.

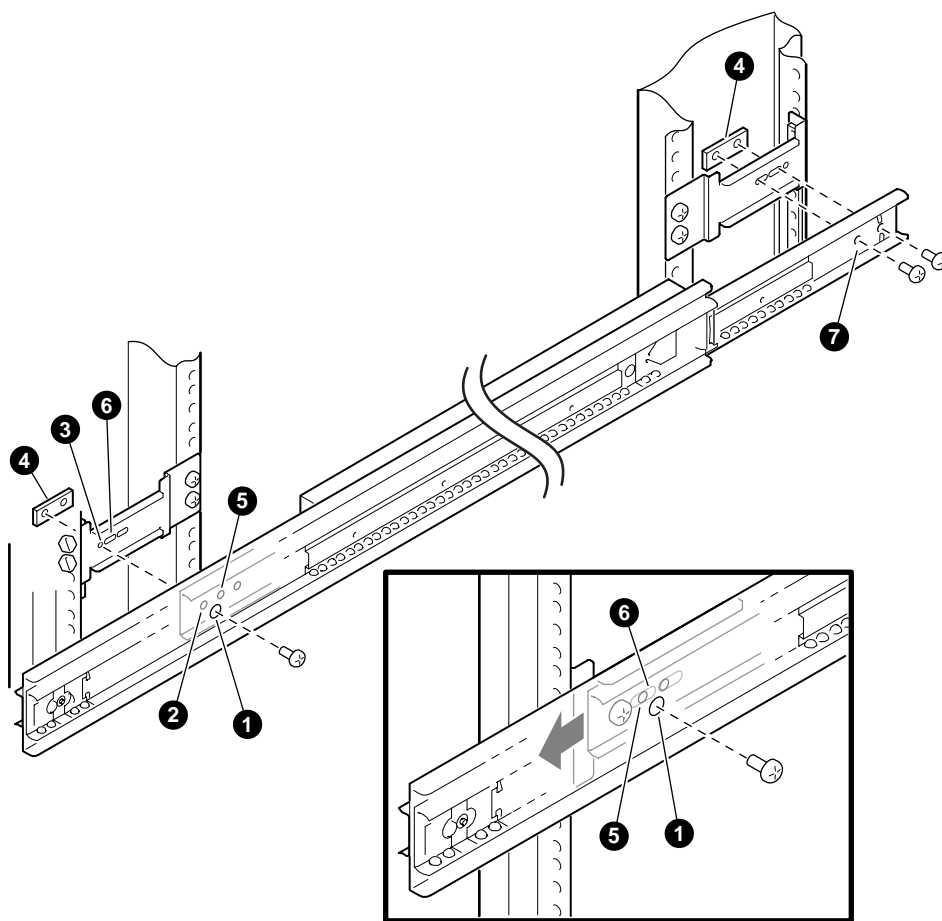
Back

1. Starting at the top marked hole, put two hex screws ❶ through the cabinet rail and the slide bracket ❷. Fasten with an 8-hole nut bar ❸ using the top two holes.
2. Insert two cap screws ❹ through the slide bracket and the cabinet rail. Fit the perforations of a 2-hole, 2-perforation nut bar ❺ into the holes in the cabinet rail and fasten.
3. Repeat the procedure for the other rail.

1.5 Attaching Slides

Attach slides to the cabinet.

Figure 1-5 Attaching Slides



PK0269

The sliding segment of the slide has an access hole ❶ that provides access to three mounting holes in the stationary segment. You use two of the mounting holes.

Front

1. Insert a cap screw through the access hole ❶ and the first (forward-most) mounting hole ❷ in the slide and through the hole ❸ in the slide bracket. Fasten with one two-hole nut bar ❹ and tighten.
2. Align the access hole with the second mounting hole ❺ in the slide.
3. Insert a cap screw through the access hole and the second hole ❺ in the slide and through a slot ❻ in the slide bracket. Fasten into the nut bar and tighten.

Back

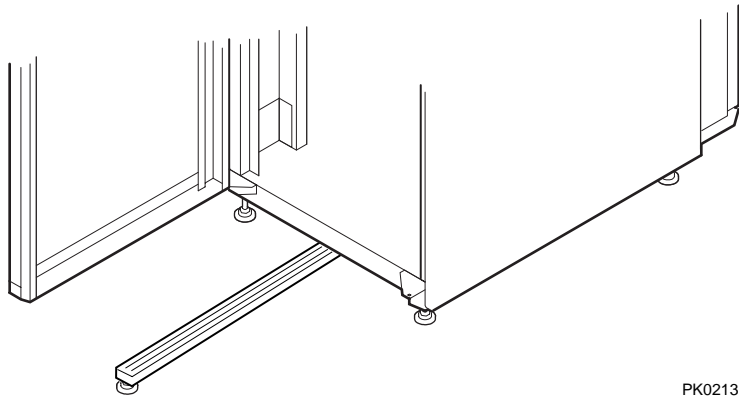
1. Insert a screw through the two holes ❼ in the stationary segment of the slide and through a slot in the slide bracket. Attach to a two-hole nut bar ❹.

Repeat the entire procedure for the other slide.

1.6 Stabilizing the Cabinet

Stabilize the cabinet before installing the system.

Figure 1-6 Activating the Stabilizer Foot



PK0213

The system is intended for installation in one of the following cabinets, which are equipped with a stabilizer bar:

- H9A10 M-Series Medium Cabinet
- H9A15 M-Series Tall Cabinet

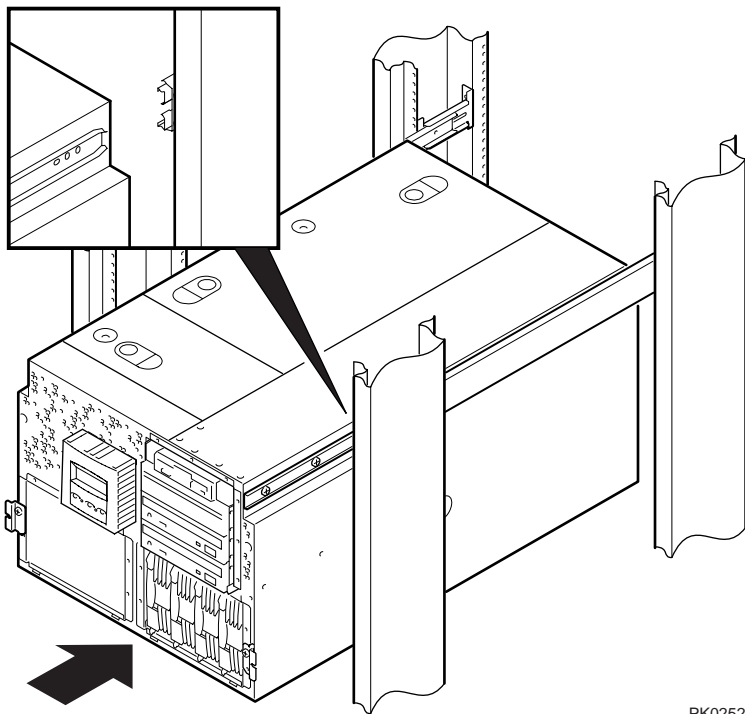
Pull out the stabilizer bar and extend the leveler foot to the floor before installing the system.

If you are using a cabinet other than those listed above, install rack stabilizing feet or provide other means to stabilize the cabinet before installing the system.

1.7 Installing the System

Use a material lift or other mechanical device to install the system.

Figure 1-7 Installing the System



PK0252



WARNING:

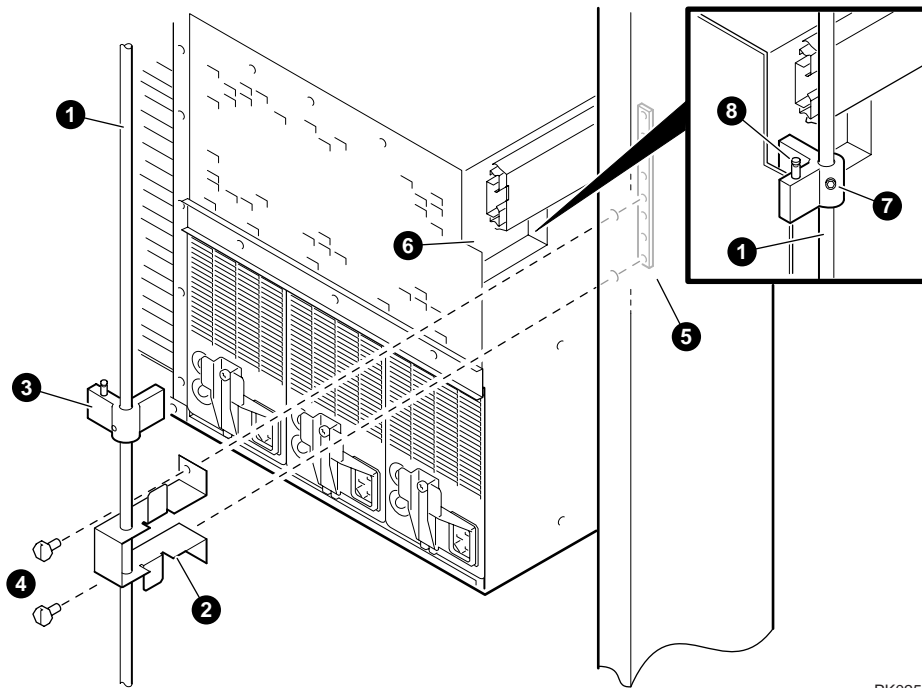
- 1. Make sure that all other hardware in the cabinet is pushed in and attached.**
 - 2. The system is very heavy. Do not attempt to lift it manually. Use a material lift or other mechanical device.**
-

1. Align the narrow segment of the slides attached to the system with the slides attached to the cabinet.
2. Depress the green release button on each side and slide the system completely into the cabinet.

1.8 Installing the Interlock System

The interlock system ensures cabinet stability by allowing only one system drawer at a time to be pulled out of the cabinet. The stabilizer bracket and actuator latch only work in a cabinet equipped with the interlock system.

Figure 1-8 Installing the Interlock System



PK0250

CAUTION: *If you are installing a cabinet that does not have the interlock system, you must ensure cabinet stability by installing rack stabilizing feet or by some other means.*

1. At the back of the cabinet, release the vertical bar ❶ of the interlock system.
2. Insert the stabilizer bracket ❷ and the actuator latch ❸ into the vertical bar so that the actuator latch is above the stabilizer bracket.
3. Reinstall the vertical bar.
4. Secure the stabilizer bracket to the two remaining marked holes on the right cabinet rail with two hex screws ❹. Tighten into the nut bar ❺.
5. Vertically position the actuator latch ❸ such that the trip mechanism ❻ in the system aligns with the actuator latch.
6. Rotate the actuator latch to orient it like the other actuator latches on the vertical bar.
7. Tighten the Allen screws ❼ on the actuator latch.

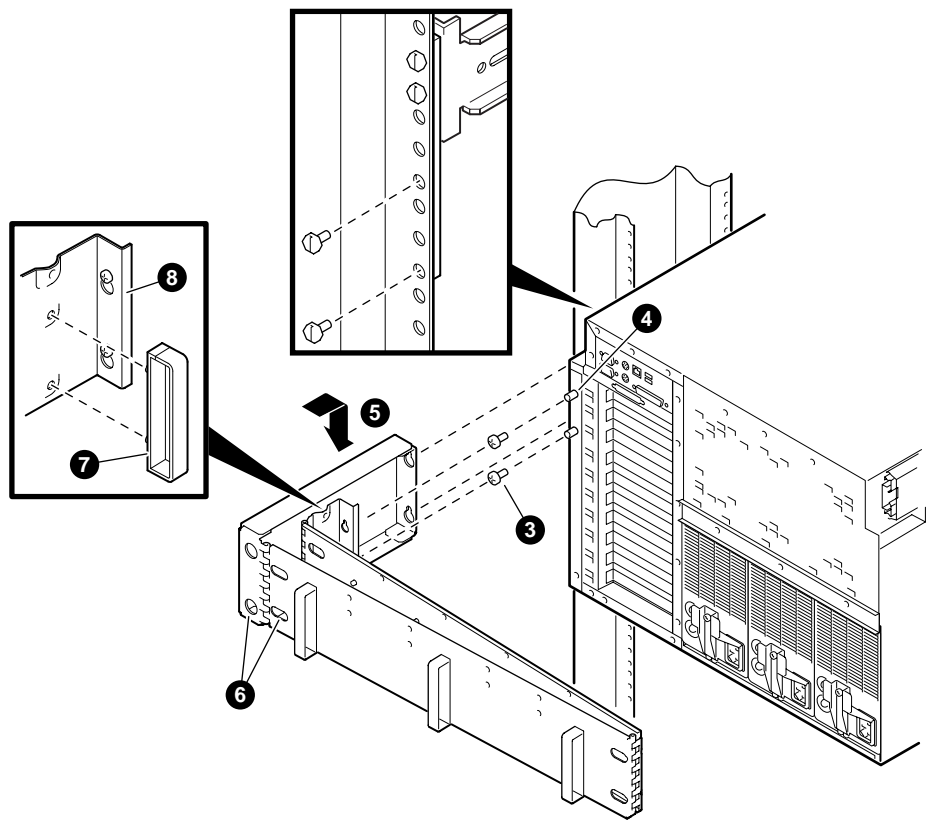
H9A10 Four-System Configuration

A pin ❸ in the actuator latch is provided for attaching the spring of the interlock system. The pin is needed for the top system of a four-system configuration in an H9A10 cabinet only. The vertical rod ❶ may need to be trimmed.

1.9 Installing the Cable Management Arm

Attach the cable management arm to the rear rails of the cabinet.

Figure 1-9 Installing the Cable Management Arm



PK0248

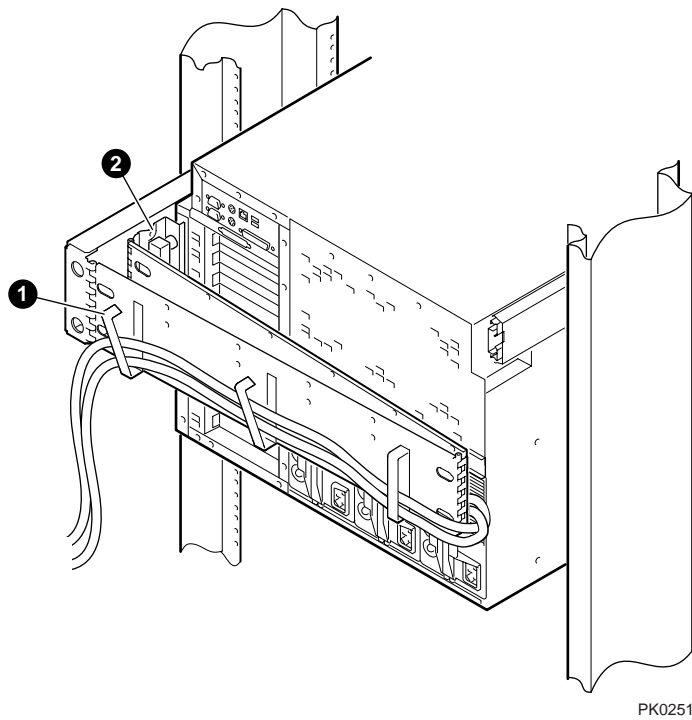
NOTE: *Be sure that you have attached all cables to the rear of the unit before installing the cable management arm.*

1. Attach all cables to the rear of the unit.
2. Start two hex screws ❶ into the two remaining marked holes on the left cabinet rail and into the 8-hole nut bar ❷.
3. Start two pan head screws ❸ into the rear standoffs ❹ on the system.
4. Place the cable management arm ❺ over the four screws and lower it into place.
5. Tighten the four screws through the access holes ❻.
6. Snap the cable clamp ❼ into the member ❸ of the cable management arm that is attached to the rear of the system.

1.10 Dressing the Cables

Dress the cables through the cable clamps on the cable retractor assembly at the rear of the system.

Figure 1-10 Dressing the Cables



PK0251

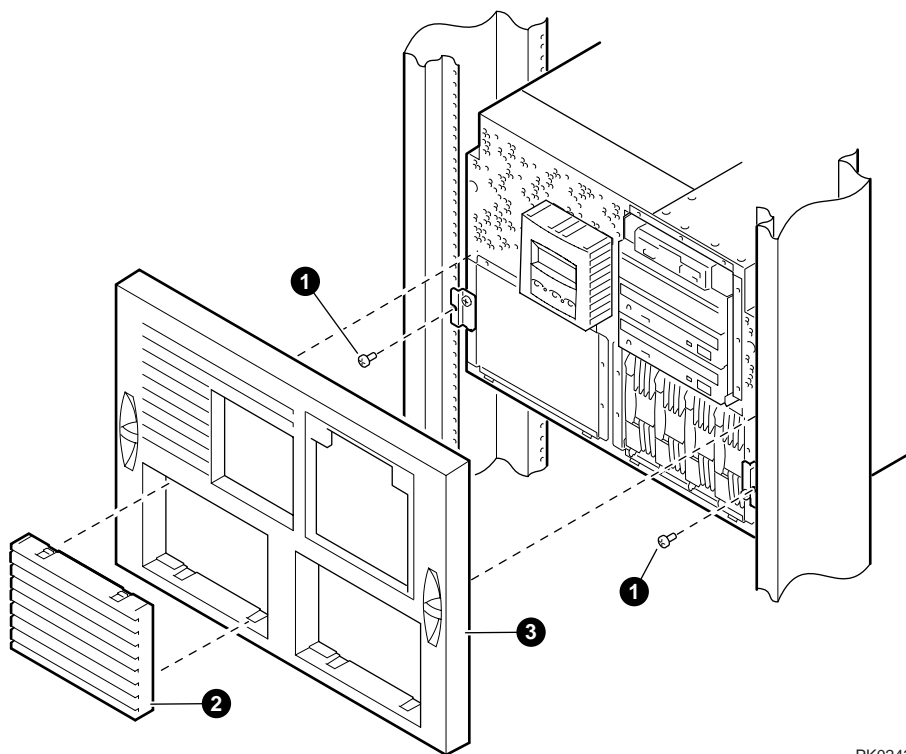
1. Dress the cables through the cable clamps ❶ or tie wrap them to the cable retractor assembly.
2. Attach all cables to the member of the cable management arm ❷ that is attached to the system.

CAUTION: *Failure to attach the cables to the attached member of the management arm can cause cables to become disconnected.*

1.11 Attaching the Front Bezel

To complete the installation, attach the front bezel.

Figure 1-11 Attaching the Front Bezel



PK0243

1. Attach the system to the cabinet rails with a hex screw ❶ on each side.
2. If your system has a second disk cage, remove the filler bezel ❷ from the front bezel ❸.
3. Align the front bezel with the front of the system and snap it into place.

