

DEC 3000 Model 500/500S AXP

Owner's Guide

Order Number: EK-FLAMI-OG. C01

Second Printing, April, 1993

© Digital Equipment Corporation 1993.

All Rights Reserved.

No responsibility is assumed for the use or reliability of software on equipment that is not supplied by Digital Equipment Corporation or its affiliated companies.

The information in this document is subject to change without notice and should not be construed as a commitment by Digital Equipment Corporation. Digital Equipment Corporation assumes no responsibility for any errors that may appear in this document.

The postpaid Reader's Comments forms at the end of this document request your critical evaluation to assist in preparing future documentation.

The following are trademarks of Digital Equipment Corporation: Alpha AXP, AXP, Bookreader, DEC, DECAudio, DECchip 21064, DECconnect, DEC GKS, DECnet, DEC PHIGS, DECsound, DECwindows, DECwindows Motif, DECwindows Mail, DECwrite, DELNI, DESTA, OpenVMS, OpenVMS AXP, RX26, ScriptPrinter, ThinWire, TURBOchannel, ULTRIX, XMedia, VAX, VAX DOCUMENT, VAXcluster, VAXstation, the AXP logo, and the DIGITAL logo.

CD is a trademark of Data General Corporation.

Open Software Foundation is a trademark of Open Software Foundation, Inc.

Motif, OSF, OSF/1 and OSF/Motif are registered trademarks of Open Software Foundation, Inc.

ISDN is a registered trademark of Fujitsu Network Switching of America

Mylar is a registered trademark of E.I. DuPont de Nemours & Company, Inc.

UNIX is a registered trademark of UNIX System Laboratories, Inc.

FCC NOTICE: This equipment has been tested and found to comply with the limits for a Class A digital device, pursuant to Part 15 of the FCC Rules. These limits are designed to provide reasonable protection against harmful interference when the equipment is operated in a commercial environment. This equipment generates, uses, and can radiate radio frequency energy and, if not installed and used in accordance with the instruction manual, may cause harmful interference to radio communications. Operation of this equipment in a residential area is likely to cause harmful interference, in which case users will be required to correct the interference at their own expense.

S2231

This document is available on CD-ROM.

This document was prepared using VAX DOCUMENT, Version 2.1.

Contents

Preface	xv
----------------------	----

Part I Basic Operations

1 Introduction to Your System

Chapter Overview	1-1
System Configurations	1-2
An Overview of the DEC 3000 Model 500/500S AXP System ...	1-3
Operating Systems	1-6
Software Product Descriptions (SPD)	1-8
Graphics Capabilities	1-8
Integrated Services Digital Network (ISDN)	1-11
Audio Capabilities	1-12
Available Options	1-13
System Enclosures	1-15

2 Preparing to Install the System

Chapter Overview	2-1
Choosing a Location	2-2
Customizing Your Work Area	2-4
Moving Your System	2-6
Unpacking a Workstation System	2-8
Unpacking a Server System	2-11
A Closer Look at a Pedestal System	2-14
A Closer Look at a Rackmount System	2-18
System Unit Symbols	2-22
Where to Go Next	2-23

3 Installing a Workstation System

Chapter Overview	3-1
Before You Begin	3-2
Task Overview	3-3
Connecting the DEC 3000 Model 500 AXP Workstation	3-5
System Unit Cover Lock	3-17
Checking Your Installation	3-20
Where to Go Next	3-21

4 Installing a Server System

Chapter Overview	4-1
Before You Begin	4-2
Task Overview	4-3
Connecting the DEC 3000 Model 500S AXP Server	4-4
System Unit Cover Lock	4-10
Checking Your Installation	4-13
Where to Go Next	4-14

5 Connecting the System to a Network

Chapter Overview	5-1
Before You Begin	5-2
Connecting to an AUI Ethernet Network	5-4
Connecting to a 10BASE-T Network	5-6
Connecting to a ThinWire Network	5-8
Setting and Verifying the Network Connection	5-12
Completing the Network Connection	5-14

6 Starting Up the System

Chapter Overview	6-1
Before You Begin	6-2
Turning On the DEC 3000 Model 500/500S AXP System	6-3
Reviewing the Startup Display	6-6
Starting a System with Factory-Installed Software	6-8
Loading Operating System Software	6-13
Where to Go Next	6-14

7 Turning Off the System

Chapter Overview	7-1
Before You Begin	7-2
Task Overview	7-3
Shutting Down the System	7-4
Halting the System	7-6

8 Maintaining the System

Chapter Overview	8-1
Before You Begin	8-2
Maintaining the System Unit and Keyboard	8-2
Cleaning the Monitor	8-4
Cleaning the Mouse	8-4
Removing the Front Access Door	8-6

Part II Advanced Operations

9 Using Console Commands

Chapter Overview	9-1
Before You Begin	9-2
Modes of System Operation	9-3
Console Mode User Interface	9-4
Console Commands	9-6
The boot Command	9-8
The continue Command	9-11
The halt Command	9-11
The help Command	9-12
The help advanced Command	9-13
The set or setenv Command	9-14
The show or printenv Command	9-15
The test Command	9-16

10 Changing Environment Variables

Chapter Overview	10-1
Before You Begin	10-2
Available Environment Variables	10-2
Displaying Current Environment Variables	10-4
Changing the Default Startup Action (auto_action)	10-5
Changing the Default Boot Device (bootdef_dev)	10-7

Changing the Default Diagnostic Startup Mode (diag_quick) . . .	10-9
Changing the Default Keyboard Language (language)	10-10

11 Using the Password Security Feature

Chapter Overview	11-1
Before You Can Use This Chapter	11-2
Before You Begin	11-3
Task Overview	11-5
Entering a Password	11-5
Enabling System Security	11-7
Forgetting the Password	11-8
Disabling or Changing the Password	11-9

12 Using an Alternate Console

Chapter Overview	12-1
Before You Begin	12-2
Using the Alternate Console Feature	12-3

Part III Handling Problems

13 Identifying a Problem

Chapter Overview	13-1
Before You Begin	13-2
Task Overview	13-3
Determining Type of Problem	13-4
Startup Problems	13-6
Interpreting the show Command Display	13-12
Display Problems	13-21
Daily Operations Problems	13-24
SCSI Device Problems	13-25
Network Problems	13-28
Where to Go Next	13-29

14 Running Diagnostic Tests

Chapter Overview	14-1
Before You Begin	14-2
Task Overview	14-3
Running Diagnostic Tests	14-4
Recording the Diagnostic Display Light Pattern	14-8
Reporting Problems to Digital Services	14-10
Handling Problems Worksheet	14-16

Part IV Appendixes

A Hardware Specifications

Appendix Overview	A-1
System Specifications	A-2

B Port Pin-outs

Appendix Overview	B-1
Alternate Console/Printer Port	B-2
Synchronous/Asynchronous Communications Port	B-3
External SCSI Port	B-5
Keyboard/Mouse or Tablet Port	B-7
AUI Ethernet Port	B-8
ISDN Port	B-10
10BASE-T Port	B-11
Audio Port	B-12

C European Economic Community (EEC) Considerations

Appendix Overview	C-1
EEC Installation Instructions for Nonshielded Cables	C-2

D Associated Documents

Appendix Overview	D-1
Associated Printed Documents	D-2
OpenVMS AXP Documentation	D-5
DEC OSF/1 AXP Documentation	D-6

E Special Information for PTT Network Users

Appendix Overview	E-1
Service Categories	E-2
Host Power Rating	E-3
Module Isolation	E-4
Safety Warnings for UK Installations Only	E-5
Cable Approval	E-7
Supported Cables	E-8
Equipment Between the Approved Module and a Digital Circuit (PTT)	E-9

Glossary

Index

Figures

1-1	The DEC 3000 Model 500 AXP Workstation	1-3
1-2	The DEC 3000 Model 500S AXP Server	1-4
1-3	Audio Ports on the DEC 3000 Model 500/500S AXP	1-12
1-4	DEC 3000 Model 500S AXP server in H9A00-AJ Rack Enclosure	1-16
2-1	Dimensions of System	2-2
2-2	Positioning Components	2-4
2-3	The DEC 3000 Model 500/500S AXP System Handle	2-6
2-4	Lifting the DEC 3000 Model 500/500S AXP	2-7
2-5	Required Workstation Components and Parts	2-9
2-6	Components and Parts to Save	2-10
2-7	Required Server Components and Parts	2-12
2-8	Components and Parts to Save	2-13
2-9	Back of System Unit	2-14
2-10	Front of System Unit	2-16
2-11	Back of System Unit	2-18
2-12	Front of System Unit	2-20
3-1	Parts Needed to Install Your Workstation	3-3
3-2	Attaching the Ethernet Loopback Connector	3-5
3-3	Connecting the Keyboard/Mouse Extension Cable	3-6

3-4	Connecting the Keyboard and Mouse to the Keyboard/mouse Extension Cable	3-7
3-5	Connecting the Universal Strain Relief Strap	3-9
3-6	Connecting the Monitor Video Cable	3-12
3-7	Factory-Installed Software Sticker	3-13
3-8	Connecting the System Power Cord to System	3-14
3-9	Checking the Video Refresh Switch	3-15
3-10	Checking the Alternate Console Switch	3-16
3-11	System Unit Cover Keys	3-17
3-12	Locking the System Unit Cover	3-19
3-13	A Connected Workstation	3-20
4-1	Parts Needed to Install Your Server	4-3
4-2	Connecting the Ethernet Loopback Connector	4-5
4-3	Connecting a Terminal to the Server	4-6
4-4	Factory Installed Software Sticker	4-7
4-5	Connecting Power Cord to System Unit	4-8
4-6	Checking the Alternate Console Switch	4-9
4-7	System Unit Cover Keys	4-10
4-8	Locking the System Unit Cover	4-12
4-9	A Connected Server	4-13
5-1	Connecting to an AUI Ethernet Network	5-5
5-2	Connecting a 10BASE-T Network Cable	5-7
5-3	Connecting the AUI Ethernet Cable to the DECXM Transceiver or a DESTA Unit	5-9
5-4	Connecting the ThinWire Cables and T-Connector to the DECXM Transceiver or a DESTA Unit	5-10
5-5	Terminating the Ethernet Connection	5-11
6-1	Turning On the DEC 3000 Model 500/500S AXP System	6-5
6-2	Startup Display	6-6
6-3	OpenVMS AXP Initial Startup Display	6-9
6-4	OpenVMS AXP DECwindows Motif Start Session Screen	6-10
6-5	DEC OSF/1 AXP Initial Startup Display	6-11
6-6	DEC OSF/1 AXP DECwindows Motif Start Session Screen	6-12
7-1	Turning Off the System Unit	7-5
7-2	Pressing the Halt Button	7-7
7-3	System Halt Message	7-8

8-1	Removing/Replacing the Mouse Cover Plate	8-5
8-2	Removing the Front Access Door	8-7
10-1	The show device Display	10-8
12-1	Attaching a Device to the Alternate Console/Printer Port	12-4
12-2	Changing the Alternate Console Switch	12-5
13-1	Power Indicator Light	13-7
13-2	Startup Display with Error	13-9
13-3	Configuration Display with Error	13-13
13-4	The show device Display	13-15
13-5	The show error Display	13-19
13-6	The show memory Display	13-20
14-1	SCC Diagnostic Test Display	14-5
14-2	SCC Test Display with Error	14-6
14-3	Initializing Your System	14-7
14-4	Initializing the System with the SCC Test	14-7
14-5	Position of Diagnostic Display Lights	14-8
14-6	Console Mode Diagnostic Lights	14-9
14-7	Serial and Model Numbers	14-11
14-8	Connecting the 10BASE-T Loopback Connector	14-13
14-9	Connecting the Alternate Console/Printer Loopback Connector	14-14
14-10	Connecting the Modem Loopback Connector	14-15
B-1	Alternate Console/Printer Port	B-2
B-2	Synchronous/Asynchronous Communications Port	B-3
B-3	External SCSI Port	B-5
B-4	Keyboard/Mouse or Tablet Port	B-7
B-5	AUI Ethernet Port	B-8
B-6	ISDN Port	B-10
B-7	10BASE-T Port	B-11
B-8	Audio Port	B-12
C-1	Connecting a Pigtail Grounding Wire	C-3
E-1	Front View	E-6
E-2	Connector Pin Layout	E-7

Tables

1	Parts Description	xv
1-1	Graphics Capabilities for OpenVMS AXP	1-9
1-2	Graphics Capabilities for DEC OSF/1 AXP	1-10
1-3	Setting Up Multiple Graphics Devices	1-10
2-1	Positioning Your System Components	2-5
2-2	Back of the System Unit	2-15
2-3	Front of the System Unit	2-17
2-4	Back of the System Unit	2-19
2-5	Front of the System Unit	2-21
2-6	Where to Go Next	2-23
3-1	Steps to Install Your DEC 3000 Model 500 AXP Workstation	3-4
3-2	Making Monitor Connectors	3-10
3-3	Connecting the Monitor Cords	3-11
3-4	Where to Go Next	3-21
4-1	Steps to Install Your DEC 3000 Model 500S AXP Server	4-4
4-2	Where to Go Next	4-14
5-1	Required Network Cables	5-3
5-2	Steps for Connecting an AUI Ethernet Network	5-4
5-3	Steps for Connecting a ThinWire Ethernet Network	5-8
5-4	DECXM and DESTA Documentation	5-11
5-5	Network Settings	5-12
6-1	Steps for Starting a Workstation	6-4
6-2	Steps for Starting a Server	6-4
6-3	Startup Display Information	6-7
6-4	Factory-Installed Software Documentation	6-8
6-5	Start the Operating System	6-13
6-6	Where to Go Next	6-14
7-1	Current System Status	7-2
7-2	Steps to Shutting Down Your System	7-3
7-3	Operating System Shutdown Procedure	7-4
7-4	Halting the Operating Systems	7-6
8-1	Steps for Cleaning the Mouse	8-5
8-2	Steps to Remove the Front Access Door	8-6
9-1	Supported Keys and Control Characters	9-5

9-2	Advanced Console Commands	9-6
9-3	Basic Console Commands	9-7
9-4	Boot Command Parameters/Qualifiers	9-8
9-5	Device Naming Conventions	9-9
9-6	Diagnostic Tests	9-16
10-1	Environment Variables	10-3
10-2	Parameters for Setting Startup Action	10-5
10-3	Device Naming Conventions	10-7
11-1	Console Command Access	11-4
11-2	Steps to Making the System Secure	11-5
11-3	Entering a Password	11-6
11-4	Enabling System Security	11-7
11-5	Steps to Access System	11-8
11-6	Entering a Password	11-9
12-1	Current System Status	12-2
12-2	Alternate Console/Printer Port Parameters	12-2
12-3	Using the Alternate Console	12-3
13-1	How to Identify a Problem	13-2
13-2	Steps to Resolving Problems	13-3
13-3	Type of Problem	13-5
13-4	Power Indicator Light Failure	13-6
13-5	Missing Startup Display	13-8
13-6	Startup Error Codes	13-10
13-7	Startup Without Booting	13-11
13-8	Information Provided by the show Console Commands	13-12
13-9	The show config Display Described	13-14
13-10	The show device Display Described	13-16
13-11	System Device Errors	13-18
13-12	Error Message Elements	13-19
13-13	Monitor Display Problems	13-22
13-14	Monitor Display Problems	13-23
13-15	Mouse Problems	13-24
13-16	Keyboard Problems	13-24
13-17	Installed Disk Drive Problems	13-25
13-18	Installed Software Problems	13-26
13-19	Software on Diskette Problems	13-27
13-20	Resolving NI Errors	13-28

13-21	Problems When Booting from the Network	13-29
14-1	Steps to Diagnostic Tests	14-3
14-2	Diagnostic Tests	14-4
14-3	Telephone Numbers of Digital Support Centers	14-12
A-1	System Unit Dimensions: Pedestal	A-2
A-2	System Unit Dimensions: Rackmount	A-2
A-3	System Electrical Specifications	A-2
A-4	General System Specifications	A-3
A-5	System Environmental Specifications	A-4
B-1	Alternate Console/Printer Port Pin-outs	B-2
B-2	Synchronous/Asynchronous Communications Port Pin-outs	B-3
B-3	External SCSI Port Pin-outs	B-5
B-4	Keyboard/Mouse or Tablet Port Pin-outs	B-7
B-5	AUI Ethernet Port Pin-outs	B-9
B-6	ISDN Port Pin-outs	B-10
B-7	10BASE-T Port Pin-outs	B-11
B-8	Audio Port Pin-outs	B-12
D-1	Associated Printed Documents	D-2
D-2	Drives	D-3
D-3	Handbook Series	D-3
D-4	TURBOchannel-Related Documents	D-4
D-5	SCSI Documents	D-4
D-6	General OpenVMS AXP Operating System Documents	D-5
D-7	DECconnect System	D-6
D-8	User Documentation, QA-MT4AB-GZ	D-7
D-9	Server Documentation Kit, QA-MT4AL-GZ	D-8
E-1	BABT-Approved Service Specifications for the 54-21147 Module for UK Compliance	E-2
E-2	Module Power	E-3
E-3	Clearance and Creepage Distances	E-5
E-4	Connector Pin-Outs Described	E-7
E-5	Cables Supported by the 54-21147 Module	E-8

Preface

Purpose of This Guide

This guide is intended for all users of the DEC 3000 Model 500/500S AXP system. It describes how to install and operate the DEC 3000 Model 500 AXP workstation and the DEC 3000 Model 500S AXP server. To install options in the DEC 3000 Model 500/500S AXP system, refer to the *DEC 3000 Model 500/500S AXP Options Guide*.

Structure of This Guide

This guide consists of 14 chapters, 5 appendices, a glossary of technical terms, and an index, and is organized into four parts as Table 1 describes:

Table 1 Parts Description

Part	Title	Description
I	Basic Operations	Chapters in Part I describe basic operations for using your workstation or server system, including installing, turning on, and maintaining your system. These chapters are for all DEC 3000 Model 500/500S AXP system users.

(continued on next page)

Table 1 (Cont.) Parts Description

Part	Title	Description
II	Advanced Operations	Chapters in Part II describe advanced operations for your system, including use of console commands and the alternate console feature. These chapters are for users who understand advanced system operations.
III	Troubleshooting	Chapters in Part III describe what to do in the event of a system problem. These chapters are applicable only if your system is not working properly or is displaying error messages.
IV	Appendixes	The appendixes in Part IV provide information such as specifications, and port pinouts.

Conventions

The following conventions are used in this guide:

Convention	Description
RZ2x	RZ2x refers to the RZ-series fixed disk drives, including the RZ24L, RZ25, and RZ26.
<code>Return</code>	A key name in a box indicates that you press a named key on the keyboard.
<code>Ctrl/x</code>	A sequence such as <code>Ctrl/x</code> indicates that you must hold down the key labeled Ctrl while you press another key.
<code>show config</code>	Lowercase color type in this format indicates a command that you must enter exactly as shown. For example: <code>>>> show config <code>Return</code></code>
<i>variable</i>	Lowercase color italics indicate a variable value that you must provide. For example: <code>>>> set <i>variable</i> <code>Return</code></code>
CAUTION	Cautions provide information to prevent damage to equipment or software. Read these carefully.
WARNING	Warnings contain information to prevent personal injury. Read these carefully.

Task Symbols

All of the tasks described in this guide have been assigned a symbol indicating the level of difficulty in completing the task. The task symbols that appear in the margin next to the task should be used as a guide to help you decide whether you wish to complete the task, or request help.

Different tasks within a category may require different levels of expertise. For instance, one intermediate task may require software expertise, while another intermediate task may require hardware expertise. Check the *Before You Begin* section at the beginning of most chapters, for the specific kind of experience required to complete a task. This section will be identified by the information icon, defined below.



Information

This section contains important background information that will help you to perform the tasks listed and to operate your DEC 3000 Model 500/500S AXP correctly.

Task Categories

The tasks fall into four categories indicated by four symbols:



Basic Task

This task does not require any specific experience to complete.



Intermediate Task

Some specific experience is required to complete this task.



Advanced Task

Specific experience is highly desirable to complete this task.

Task Symbols on Bookmark

The task symbol explanations provided here are also printed on the bookmark provided with this guide. You can use the bookmark for reference while using this manual.

Part I

Basic Operations

Part I provides an overview of the DEC 3000 Model 500/500S AXP system and its configurations. It also describes how to install the system and how to perform basic operations. This part includes the following chapters:

Chapter	Title
1	Introduction to Your System
2	Preparing to Install the System
3	Installing a Workstation System
4	Installing a Server System
5	Connecting the System to a Network
6	Starting Up the System
7	Turning Off the System
8	Maintaining the System

1

Introduction to Your System

Chapter Overview

Introduction

Congratulations on choosing a DEC 3000 Model 500 AXP workstation or DEC 3000 Model 500S AXP server. These high-performance, deskmount or rackmount systems use Digital's DECchip 21064 RISC processor, part of the Alpha AXP architecture, making them the most powerful low-end systems ever designed.

The DEC 3000 Model 500/500S AXP system is based on the Digital Alpha AXP architecture, providing all the advantages of a 64-bit computing environment.

In This Chapter

This chapter covers the following topics:

- System Configurations
- An Overview of the DEC 3000 Model 500/500S AXP System
- Operating Systems
- Software Product Descriptions (SPD)
- Graphics Capabilities
- Integrated Services Digital Network (ISDN)
- Audio Capabilities
- Available Options
- System Enclosures

System Configurations

Two System Configurations

Your DEC 3000 Model 500/500S AXP system can be configured as a workstation or as a server system. This guide describes how to install and set up both configurations.

Workstation Configuration

Your DEC 3000 Model 500 AXP workstation includes 2D graphics capabilities integral to the system, and will be shipped with a monitor, mouse, and keyboard. Chapter 3 describes how to install a workstation system.

Server Configuration

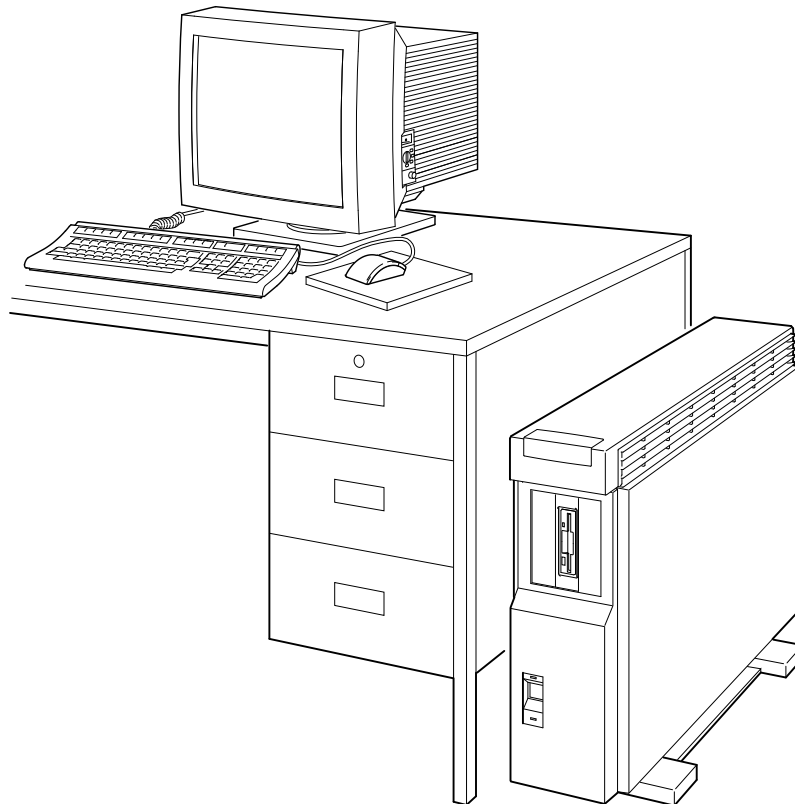
Your DEC 3000 Model 500S AXP server also has 2D graphics capabilities integral to the system, but is not shipped with a monitor, mouse, or keyboard. Chapter 4 describes how to install a server system.

An Overview of the DEC 3000 Model 500/500S AXP System

System Components: Workstation

The DEC 3000 Model 500/500S AXP system can be configured as a workstation or a server. The workstation consists of four components: a system unit, a monitor, a keyboard, and a mouse. Figure 1-1 shows a basic workstation configuration.

Figure 1-1 The DEC 3000 Model 500 AXP Workstation



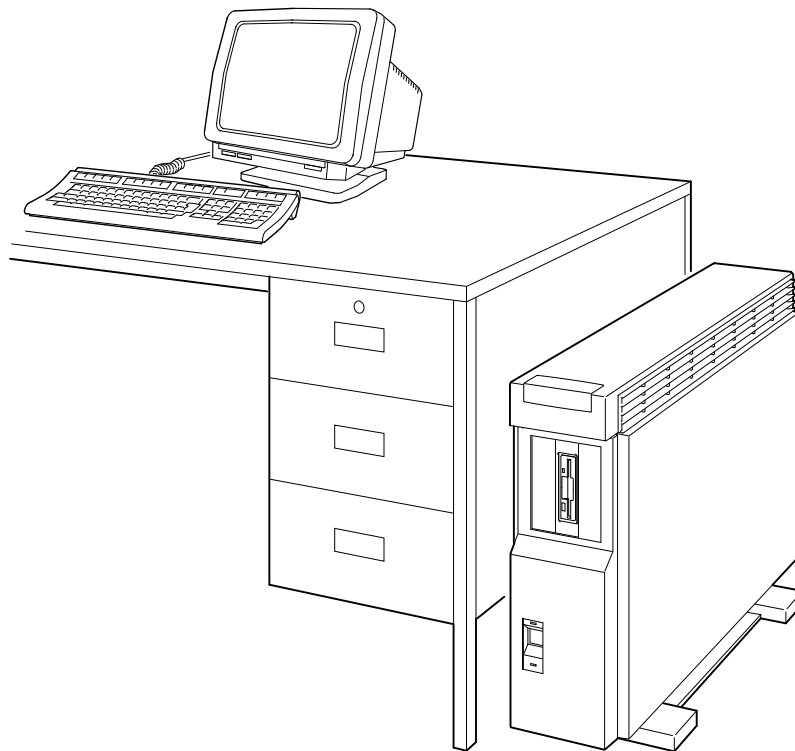
MLO-007581

An Overview of the DEC 3000 Model 500/500S AXP System

System Components: Server

When configured as a server, the DEC 3000 Model 500S AXP system does not include a monitor, keyboard, or mouse. Figure 1-2 shows a typical DEC 3000 Model 500S AXP configuration, with an optional terminal and keyboard.

Figure 1-2 The DEC 3000 Model 500S AXP Server



MLO-007569

An Overview of the DEC 3000 Model 500/500S AXP System

System Highlights

The DEC 3000 Model 500/500S AXP system provides the following special features:

This system feature...	Provides...
Full 64-bit Alpha RISC architecture	Double the 32-bit memory address.
Up to 256 megabytes of memory	Expandable memory using 32- and 64-megabyte memory options.
Accelerated 2D graphics	8-plane, accelerated 2D graphics and windowing operations.
Multi-head graphic support	Support for multiple graphic heads. The number of graphics heads supported depends on the operating system.
Internal and external options	Increased storage capacity, graphics, communications, and other capabilities to your system.
An Attachment Unit Interface (AUI) Ethernet port	Connection to an AUI Ethernet network.
A 10BASE-T network port	Connection to a twisted-pair network
ISDN network ready	An industry-standard port for an ISDN network connection.
Six TURBOchannel slots	Access to high-performance module interconnect technology that allows a variety of options, including graphics, multimedia, communications, and other third-party options.
Audio technology	Built-in telephone-quality audio input and output capabilities.
Secure console mode feature	Limited access to core console functions for added system security.
A password security feature	Additional system security for privileged commands when the system is in secure console mode.
Two supported operating systems	Support for the OpenVMS AXP and the DEC OSF/1 AXP operating systems.

Operating Systems

A Choice of Operating Systems

Digital's Alpha AXP architecture allows you to choose from various operating systems for use on your DEC 3000 Model 500/500S AXP system. The operating system is the core software installed on your DEC 3000 Model 500/500S AXP system, which allows you to install and run applications.

Supported Operating Systems

Currently, both of the following operating systems are supported for use on your DEC 3000 Model 500/500S AXP system:

- OpenVMS AXP
- DEC OSF/1 AXP

These two are the operating systems supported with the first shipments of the DEC 3000 Model 500/500S AXP system. Other operating systems may be supported at a later time.

OpenVMS AXP Operating System

The OpenVMS AXP operating system is a general purpose, multiuser operating system that can be used in many different environments for a wide variety of applications.

Features of OpenVMS AXP

The OpenVMS AXP operating system promotes ease of use and improved programming productivity, and it facilitates system management.

OpenVMS AXP offers a combination of commercial features and open system benefits, including the following capabilities:

- Integrated networking
- System security
- Distributed computing
- Windowing capabilities

Additionally, OpenVMS AXP supports a large number of industry standards to facilitate application portability and interoperability.

**DEC OSF/1
AXP Operating
System**

DEC OSF/1 AXP is Digital Equipment Corporation's implementation of the Open Software Foundation (OSF) operating system components and Motif graphical user interface and programming environment.

**Description
of DEC OSF/1
AXP**

DEC OSF/1 AXP is compliant with the OSF Application Environment Specification (AES), which specifies the interface to support portable applications designed to run on a variety of hardware platforms.

In addition, the DEC OSF/1 operating system complies with these standards and industry specifications:

- FIPS 151-1
- POSIX (IEEE Std. 1003.1-1988)
- XPG3 BASE branding
- XTI
- AT&T System V Interface Definition (SVID) Issue 2 (Base System and Kernel Extensions)

**DEC OSF/1 AXP
Architecture**

The DEC OSF/1 AXP operating system is an advanced kernel architecture based on Carnegie Mellon University's Mach V2.5 kernel design with components from Berkeley Software Distribution 4.3 (BSD) and other sources. DEC OSF/1 AXP provides numerous features to assist application programmers in developing applications that use shared libraries, multithread support, and memory mapped files.

To ensure a high level of binary compatibility with the ULTRIX operating system, the DEC OSF/1 AXP operating system is compatible with the Berkeley 4.3 programming interfaces.

**You May Have
Factory-Installed
Software**

If there is a yellow sticker over the system power connector on your DEC 3000 Model 500/500S AXP system, the operating system is factory-installed on an internal fixed disk drive, and you can start it on your system using either the OpenVMS AXP Factory Installed Software (FIS) procedure, or the DEC OSF/1 AXP Factory-Installed Software (FIS) Startup Procedure.

Chapter 6 describes how to start your system if it has a factory-installed operating system.

Software Product Descriptions (SPD)

SPD Description

The Software Product Description (SPD) is the official defining document for software products licensed by Digital Equipment Corporation, including third-party products licensed by Digital. An SPD describes all important functional characteristics of the software. The terms and conditions under which the corporation sells and licenses its software products identify SPDs as the documents that specify Digital's obligation under software warranty.

SPDs also describe a software product's system environment and identify required and optional hardware and software. All information contained in the SPD is valid in the international marketplace.

For more information on the SPD for your operating system, please contact your Digital sales representative.

Graphics Capabilities

Standard and Optional Graphics

All DEC 3000 Model 500/500S AXP systems are shipped with the HX 2D graphics capabilities integral to the system module. This provides 8-plane, accelerated 2D graphics and windowing operations for your system.

Additional graphics and multimedia capabilities are available via a TURBOchannel graphics module that can be installed in your system. Digital and third-party suppliers provide a wide variety of TURBOchannel-based graphics options.

DEC Open3D Software

Three dimensional (3D) graphics support is provided by the DEC Open3D software. Contact your Digital sales representative for availability of the Open3D software as a layered product for both the OpenVMS AXP and the DEC OSF/1 AXP operating systems.

OpenVMS AXP Graphics

If your system is running the OpenVMS AXP operating system, the TURBOchannel graphics options listed in Table 1-1 are available.

Table 1-1 Graphics Capabilities for OpenVMS AXP

Graphics Option	Capabilities Provided
HX	8-plane, accelerated 2D graphics and windowing operations.
PXG+ ¹	Configurable 3D graphics: either 8- or 24-plane graphics, double buffered and optional 24-bit Z-buffer graphics. The PXG+ option requires DEC Open3D software.
PXGT+ ¹	96-plane 3D accelerated graphics: 24-plane frame and double buffer graphics, 24-bit Z-buffer and additional 24-bit configurable buffer graphics.

¹Requires DEC Open3D software

3D Applications for the OpenVMS AXP Operating System

In addition to the hardware three-dimensional (3D) graphics described in Table 1-1, there are also 3D software applications available for use on the OpenVMS AXP operating system. Two applications, DEC PHIGS (Programmer's Hierarchical Interactive Graphics System) and DEC GKS (Graphics Kernel System) can be run as layered products. For more information, contact your Digital sales representative.

Graphics Capabilities

DEC OSF/1 AXP Graphics

If your system is running the DEC OSF/1 AXP operating system, the TURBOchannel graphics options listed in Table 1–2 are available.

Table 1–2 Graphics Capabilities for DEC OSF/1 AXP

Graphics Option	Capabilities Provided
HX	8-plane, accelerated 2D graphics and windowing operations.
TX	24-plane, true-color 2D graphics.
PXG+ ¹	Configurable 3D graphics: either 8- or 24-plane graphics, double buffered and optional 24-bit Z-buffer graphics.
PXGT+ ¹	96-plane 3D accelerated graphics: 24-plane frame and double buffer graphics, 24-bit Z-buffer and additional 24-bit configurable buffer graphics.

¹Requires DEC Open3D software

Multiple Graphic Devices

Your DEC 3000 Model 500/500S AXP system is capable of supporting multiple 2D graphics devices. For information about installing another graphics option in your system, see the *DEC 3000 Model 500/500S AXP Options Guide*.

Information about setting up your system to use more than one monitor is provided in the documents listed in Table 1–3.

Table 1–3 Setting Up Multiple Graphics Devices

For this operating system...	See this document...
OpenVMS AXP	<i>OpenVMS Alpha Version 1.0 Upgrade and Installation Manual</i>
DEC OSF/1 AXP	<i>X Window System Administrator's Guide</i> , vol. 8, available from O'Reilly and Associates, Inc.

Integrated Services Digital Network (ISDN)

Note: ISDN Not Yet Available

Though your DEC 3000 Model 500/500S AXP system can provide ISDN capabilities, they are not yet agency approved or available. Currently, a plug has been placed in the ISDN port pending approval of ISDN licenses. Once agency approval of ISDN for the DEC 3000 Model 500/500S AXP system has been granted, you will be contacted by your Digital sales representative to inform you of the ISDN certification. At that point, you must remove the plug from the ISDN port before connecting the ISDN network.

The following information explains the ISDN capabilities for your DEC 3000 Model 500/500S AXP system pending license approval.

ISDN Capabilities

ISDN is a digital telecommunications network, providing connectivity for voice and data applications.

Your DEC 3000 Model 500/500S AXP system includes an ISDN Basic Rate S/T interface, which includes:

- two 64 kilobits per second B channels
- one 16 kilobits per second D channel

Use of ISDN B Channels

The B channels can be used for digitized voice and circuit-switched data transmission at up to 64 kilobits per second, or for packet-switched data transmission.

Use of ISDN D Channels

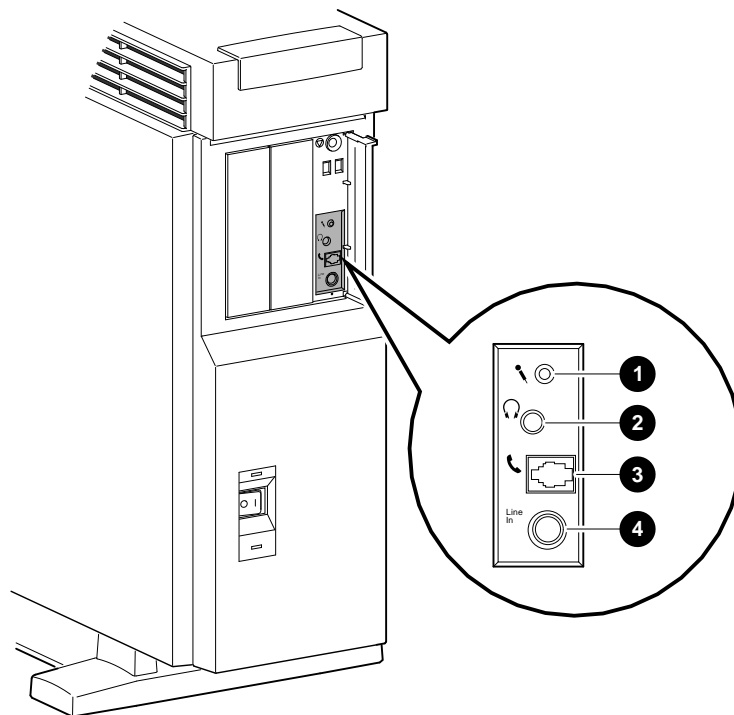
The D channel uses a protocol standardized by the International Telegraph and Telephone Consultative Committee (CCITT) for setting up these connections. The D channel can also be used for low-speed packet transmission.

Audio Capabilities

Audio Overview

The DEC 3000 Model 500/500S AXP system features telephone-quality audio features, providing audio input and output capabilities. The audio ports are located on the front of the system unit, behind the front access door. Figure 1-3 shows the audio ports: the microphone input jack ❶, the speaker/headphone jack ❷, the telephone handset jack ❸, and the audio input jack ❹.

Figure 1-3 Audio Ports on the DEC 3000 Model 500/500S AXP



MLO-007498

Port pin-outs for the telephone handset jack on the system unit are provided in Appendix B.

DECsound Application

The DECsound application, shipped with your DEC 3000 Model 500 AXP workstation as part of the OpenVMS AXP DECwindows Motif layered product kit, is an easy-to-use software application that lets you play back recorded messages, record audio messages, mail recorded messages, and include recorded messages in compound documents.

XMedia Application

Audio support for DEC OSF/1 AXP systems is provided by XMedia, Digital's distributed multimedia software development environment.

Available Options

Internal Options

You can install the following hardware options inside the DEC 3000 Model 500/500S AXP system unit:

Option	Capabilities Provided
Four RZ2x-series 3½-inch fixed disk drives	Up to 4 gigabytes of additional storage capacity.
Two 5¼-inch removable media devices (RMD)	Additional data storage on any of several devices: the RX26 diskette drives, the RRD42 compact disc drive, the TZ30 tape drive, the TLZ06 tape drive, and the TZK10 quarter-inch cartridge tape drive.
Up to 256 megabytes of total memory	Increased performance.
Up to six TURBOchannel modules	A variety of TURBOchannel options, including 2D and 3D graphics options.

Available Options

TURBOchannel Options

There are a total of six TURBOchannel option slots on your system. Since your 2D graphics capabilities are integral to your system, you have all six TURBOchannel slots available for other options.

Installing Internal Options

For more information about adding TURBOchannel and other internal options to your system, see the *DEC 3000 Model 500 /500S AXP Options Guide*.

External Options

You can add one or more of the following external options to your system.

- A printer such as a PostScript laser printer.
- A modem
- A puck or stylus tablet
- A BA350 expansion box that can hold the following devices:
 - RZ2x-series fixed disk drives
 - RRD42 compact disc drive
 - TZK10 quarter-inch tape drive
 - TLZ06 DAT (digital audio tape) drive

Adding External Options

For more information about external options and how to add them to your DEC 3000 Model 500/500S AXP system, see the *DEC 3000 Model 500/500S AXP Options Guide*.

Ordering Options

Contact your Digital sales representative for more information about ordering DEC 3000 Model 500/500S AXP system options.

System Enclosures

Choice of Enclosures

The DEC 3000 Model 500/500S AXP system is supported in one of two enclosure styles:

- a deskside pedestal enclosure
- a rackmount enclosure

The deskside enclosure requires two people to move it, and can be positioned by the side of your desk, as shown in Figure 1-1.

Figure 1-4 shows a DEC 3000 Model 500/500S AXP system unit ❶ installed in an H9A00-AJ rack enclosure. Your Digital service representative must install the system unit into a rack enclosure.

Choice of Rack Enclosures

You can choose one of two rackmount kits for your DEC 3000 Model 500/500S AXP system:

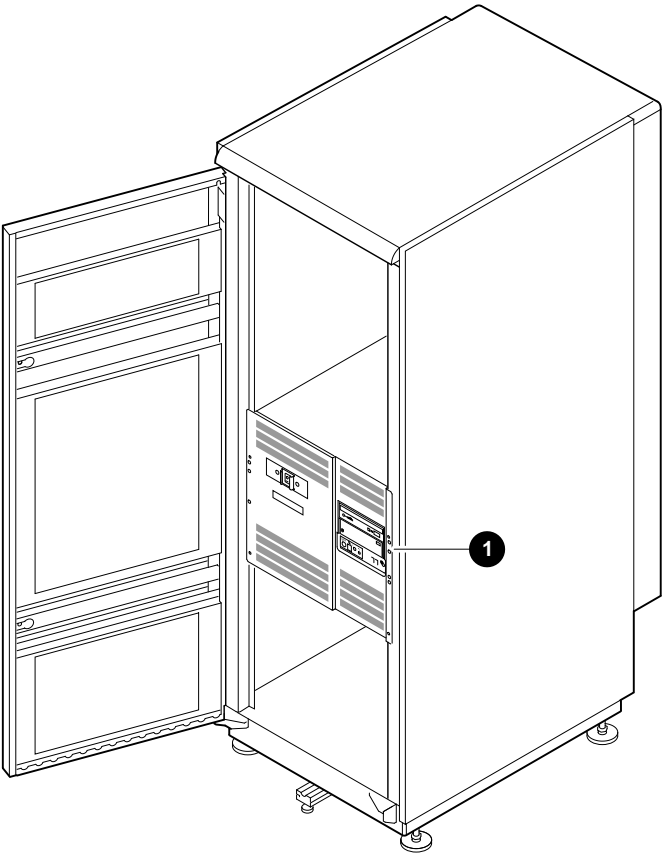
- IEC-310 (RETMA)-compatible enclosure kit, for industry standard, third-party rack enclosures
- H9A00-xx kit, for a Digital corporate rack enclosure

Ordering Rackmount Systems

Contact your Digital sales representative for more information about ordering DEC 3000 Model 500S AXP server rackmount systems.

System Enclosures

Figure 1-4 DEC 3000 Model 500S AXP server in H9A00-AJ Rack Enclosure



MLO-009396

2

Preparing to Install the System

Chapter Overview

Introduction

Before you install your DEC 3000 Model 500/500S AXP system, you need to prepare your site, and familiarize yourself with your system hardware.

In This Chapter

This chapter covers the following topics:

- Choosing a Location
- Customizing Your Work Area
- Moving Your System
- Unpacking a Workstation System
- Unpacking a Server System
- A Closer Look at a Pedestal System
- A Closer Look at a Rackmount System
- System Unit Symbols
- Where to Go Next

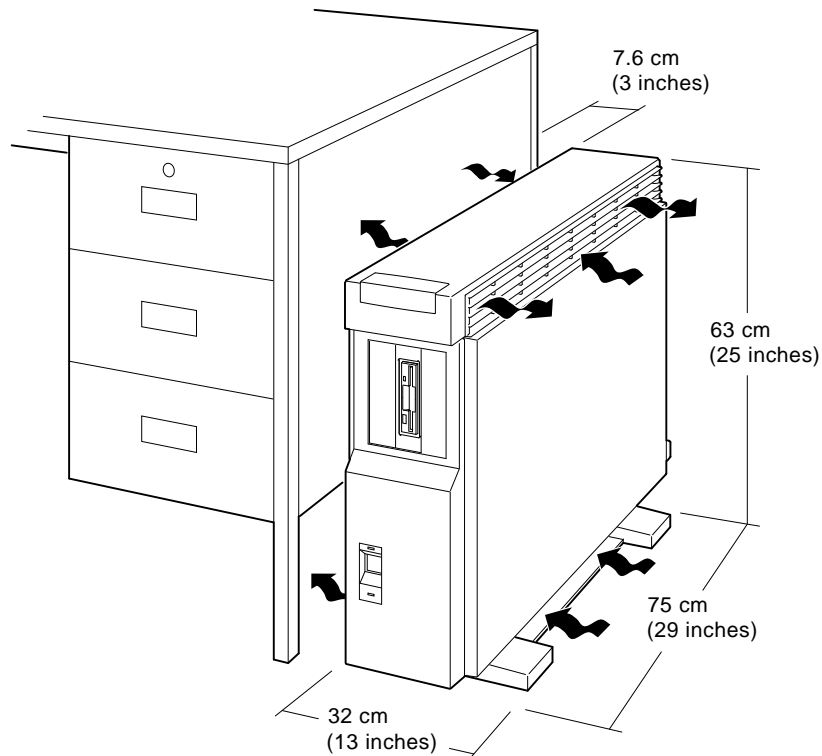
Choosing a Location



Space Requirements

When choosing a location, consider the system measurements as shown in Figure 2–1, and allow 7.6 cm (3 inches) ventilation space between the system unit and the desk.

Figure 2–1 Dimensions of System



MLO-007592

Monitor Requirements

When allocating space for your new DEC 3000 Model 500 AXP workstation, consider also the size of your monitor and the length of your monitor video cable.

Choosing a Location

Location Requirements

Choose a location for your DEC 3000 Model 500/500S AXP system that meets the following requirements:

Requirement	Explanation
Appropriate dedicated power source with an isolated ground	Power source must be 110–120 volts alternating current (VAC) or 220–240 VAC, used solely for system unit and monitor.
Moderate temperature	Room temperature should remain between 15°C and 32°C (59°F and 90°F).
Relative humidity	Relative humidity should range between 30 percent and 70 percent.
Ample circulation	Provide a minimum of three inches of clearance all around the workstation. This allows air to circulate around the workstation to prevent excess heat buildup and to keep the system air vents clean.
Working room	Leave enough room on your desktop for your keyboard, mouse pad, and any papers and materials that you may need.

What to Avoid in a Location

When choosing a location for your workstation, try to avoid the following hazards:

Hazard	How to Avoid
Dust and dirt	Position the system unit in a clean, dust-free location. Dust and dirt damage system components.
Heat and sunlight	Do not place your DEC 3000 Model 500/500S AXP system in direct sunlight, close to a heater, or near a photocopier.

Customizing Your Work Area

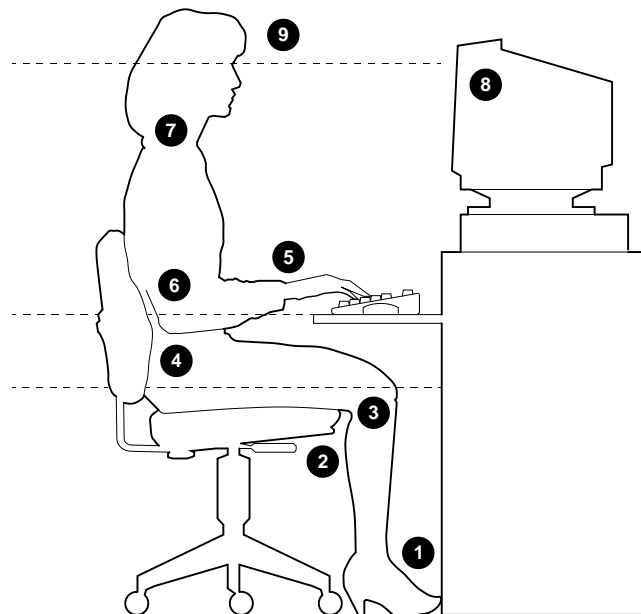


Ergonomic Considerations

Considering the ergonomics of your working environment before installing your system can help you to perform your job more effectively once you begin using your DEC 3000 Model 500/500S AXP system.

Comfort in your workplace can be achieved by making sure that your chair, monitor, keyboard, and mouse are set at the right height and distance for you and the work that you are doing, as shown in Figure 2-2 and explained in Table 2-1.

Figure 2-2 Positioning Components



MLO-010354

**Positioning
Components**

Table 2-1 explains the numbered elements in Figure 2-2.

Table 2-1 Positioning Your System Components

Adjust your chair so that...	
❶	Your feet are flat on the floor—use a footrest if needed.
❷	Your legs form a right angle to the floor.
❸	The backs of your knees are free from the seat pan.
❹	The body weight rests on the spine with support at the lower back region.
Adjust your monitor and keyboard so that...	
❺	Your wrists are straight and supported. Keyboard, mouse, and mousepad are at elbow height.
❻	Your elbows are close to your sides, with your upper arms perpendicular to the floor.
❼	You maintain a neutral neck posture with the top of the video screen no higher than eye level.
Adjust lighting and monitor so that...	
❽	Light is directed away from the screen to reduce glare. Look away to distant objects frequently. Use the tilt and swivel capabilities of your monitor to place it in the most comfortable position for your own use.
❾	The screen is at the correct distance for your vision.

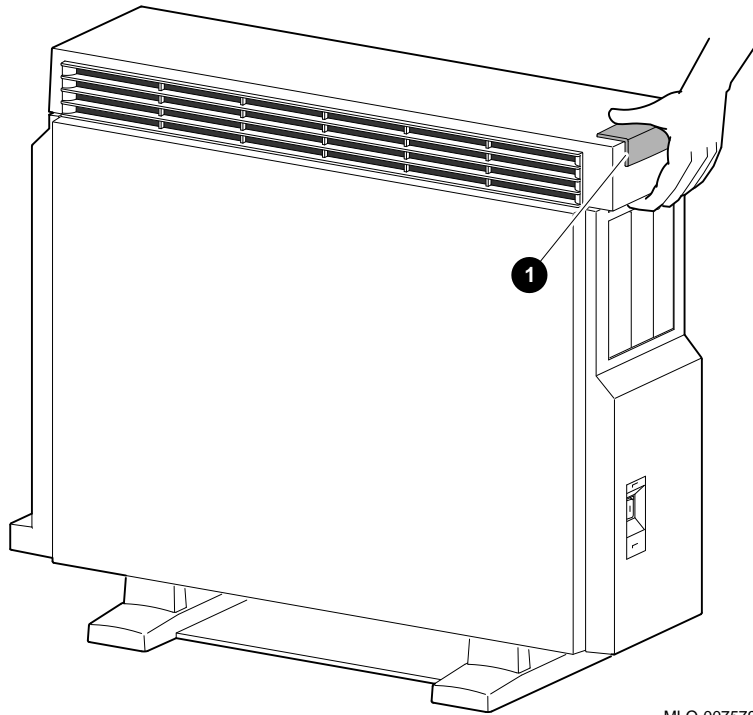
Moving Your System



Locate the Handle

The handle by which to move your system unit is located on the front, at the top, under the product medallion ❶, as shown in Figure 2-3. Grasp this area firmly and pull the system unit towards you any time you wish to move it. The low-friction feet on the bottom of the pedestal allow the unit to be moved easily across the floor.

Figure 2-3 The DEC 3000 Model 500/500S AXP System Handle



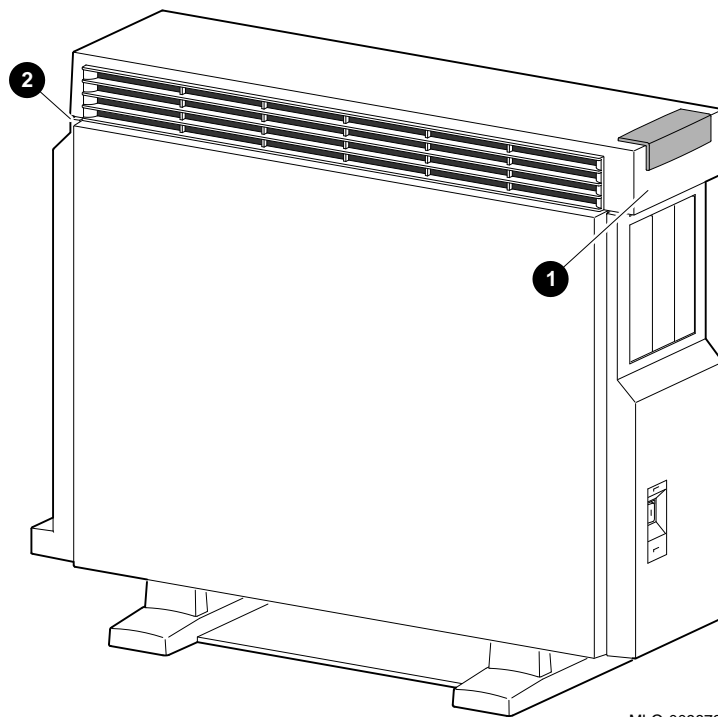
MLO-007579

CAUTION: Two People to Lift the System Unit

Two people are needed to lift the DEC 3000 Model 500/500S AXP system unit, which is quite heavy. The unit is designed to be lifted using the front handle **1** and the rear of the system unit at the top **2**, as shown in Figure 2-4.

Do not attempt to lift the system unit from the bottom, as you may cause damage to the front or side panels, which are not designed to hold the weight of the system unit.

Figure 2-4 Lifting the DEC 3000 Model 500/500S AXP



MLO-009873

Unpacking a Workstation System



Checking the Box Contents

Your workstation system arrives in two boxes, one for the system unit and accessories, the other for the monitor.

Before installing your system, check to see that you have all of the parts shown in Figure 2-5. The contents shown are for preconfigured systems. If you did not order a preconfigured system, check your packing slip to make sure that whatever you ordered has arrived in your shipment.

If Parts Are Missing

If you are missing any parts for your DEC 3000 Model 500 AXP workstation, contact your Digital sales representative immediately.

WARNING: Two People Required

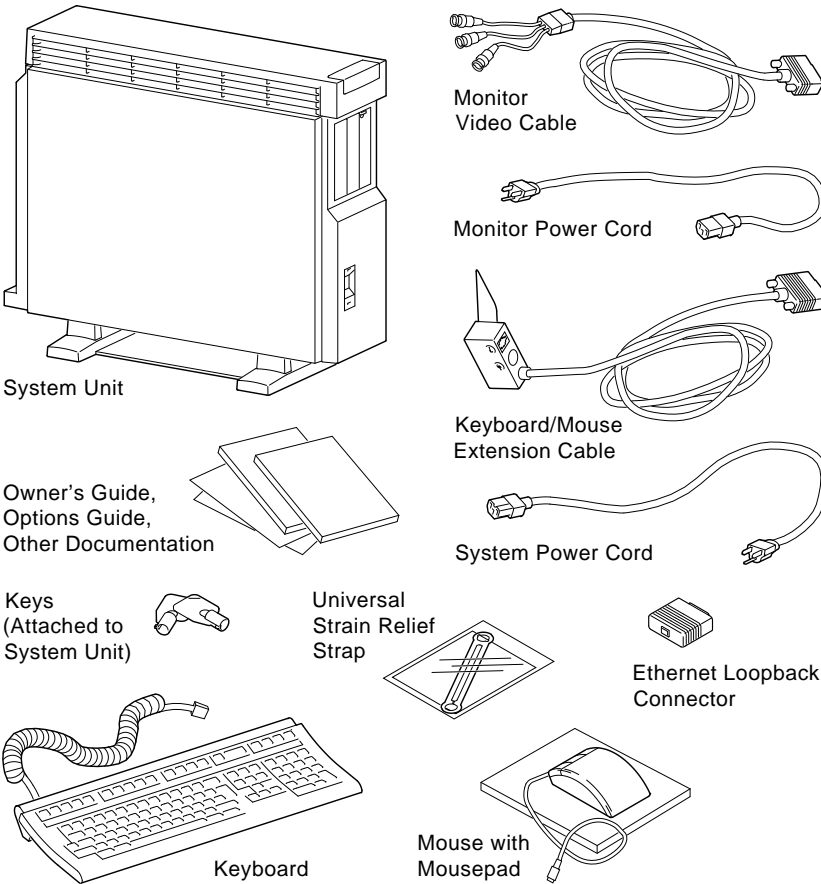
The DEC 3000 Model 500 AXP workstation and the monitor shipped with your system are both quite heavy. Have someone help you remove these items from the shipping boxes, as indicated on the packing cartons.

Unpacking a Workstation System

Parts Required for Installation

The accessory kit for your system includes many parts, some of which you do not need during the system installation. See Figure 2-5 for the parts you need.

Figure 2-5 Required Workstation Components and Parts



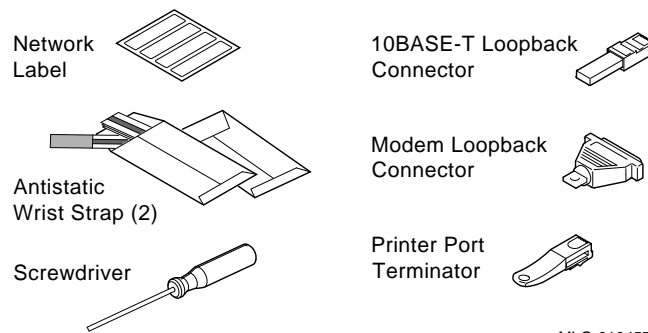
MLO-010456

Unpacking a Workstation System

Save These Parts for Later

The parts shown in Figure 2-6 can be stored for use later. You do not need them for system installation.

Figure 2-6 Components and Parts to Save



For Users in Germany

To comply with certain international standards, Digital includes German regulatory information (sometimes referred to as the FTZ card) in every system and monitor box. Disregard this material if your system is not located in Germany.

For Users in Australia

The yellow Austel warning label, part number 36-39563-01, attached to the shipping container and system unit, is required by the country of Australia for systems that provide ISDN functionality but are not yet certified for use in Australia. Disregard these labels if your system is not located in Australia.

Unpacking a Server System



Checking the Box Contents

Before installing your server system, check to see that you have all of the parts shown in Figure 2-7. The contents shown are for preconfigured systems. If you did not order a preconfigured system, check your packing slip to make sure that whatever you ordered has arrived in your shipment.

If Parts Are Missing

If you are missing any parts for your DEC 3000 Model 500S AXP server, contact your Digital sales representative immediately.

WARNING: Two People Required

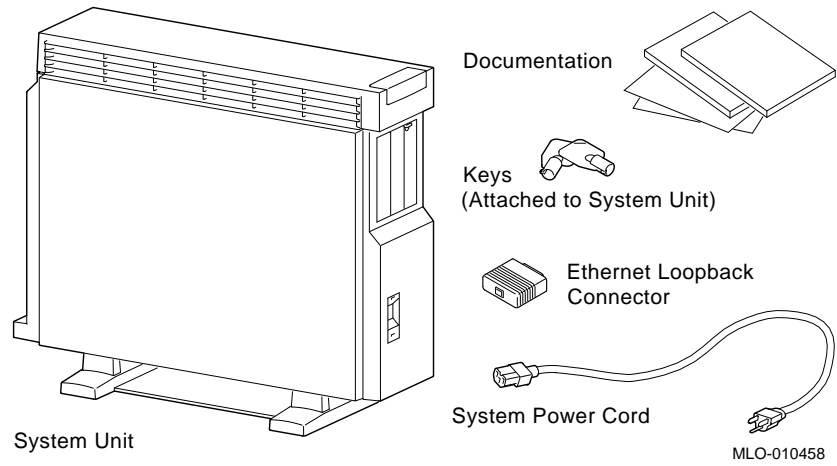
The DEC 3000 Model 500S AXP server system unit is quite heavy and requires two people to remove it from the shipping box, as indicated on the packing carton.

Unpacking a Server System

Parts Required for Installation

The accessory kit for your system includes many parts, some of which you do not need during the system installation. See Figure 2-7 for the parts you need.

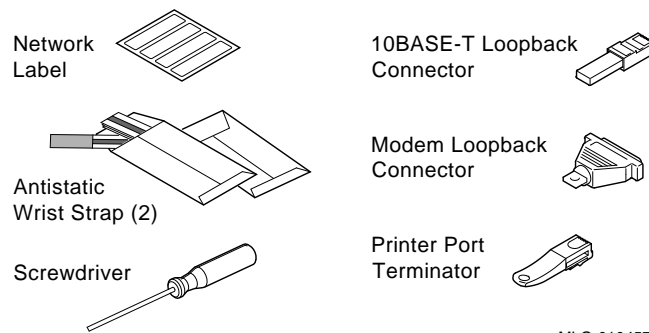
Figure 2-7 Required Server Components and Parts



Save These Parts for Later

The parts shown in Figure 2–8 can be stored for use later. You do not need them for system installation.

Figure 2–8 Components and Parts to Save



For Users in Germany

To comply with certain international standards, Digital includes German regulatory information (sometimes referred to as the FTZ card) in every system and monitor box. Disregard this material if your system is not located in Germany.

For Users in Australia

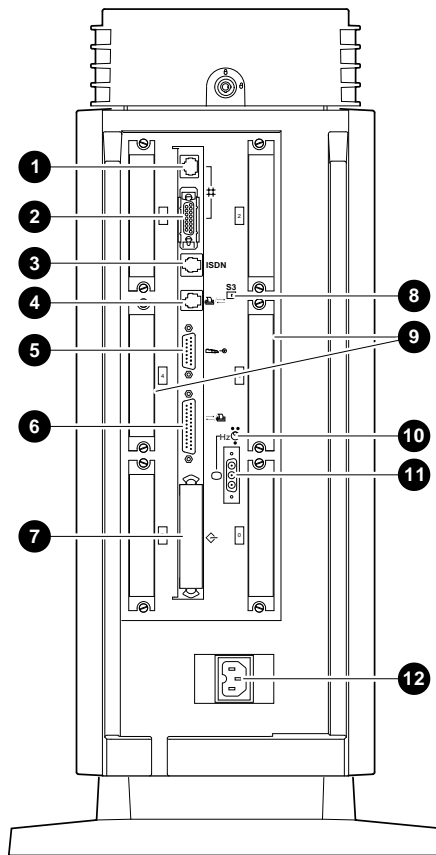
The yellow Austel warning label, part number 36-39563-01, attached to the shipping container and system unit, is required by the country of Australia for systems that provide ISDN functionality but are not yet certified for use in Australia. Disregard these labels if your system is not located in Australia.

A Closer Look at a Pedestal System

Back of the System Unit

Familiarize yourself with the ports, switches, and indicators on the back of the system unit, shown in Figure 2-9, and explained in Table 2-2.

Figure 2-9 Back of System Unit



MLO-007554

A Closer Look at a Pedestal System

Table 2–2 Back of the System Unit

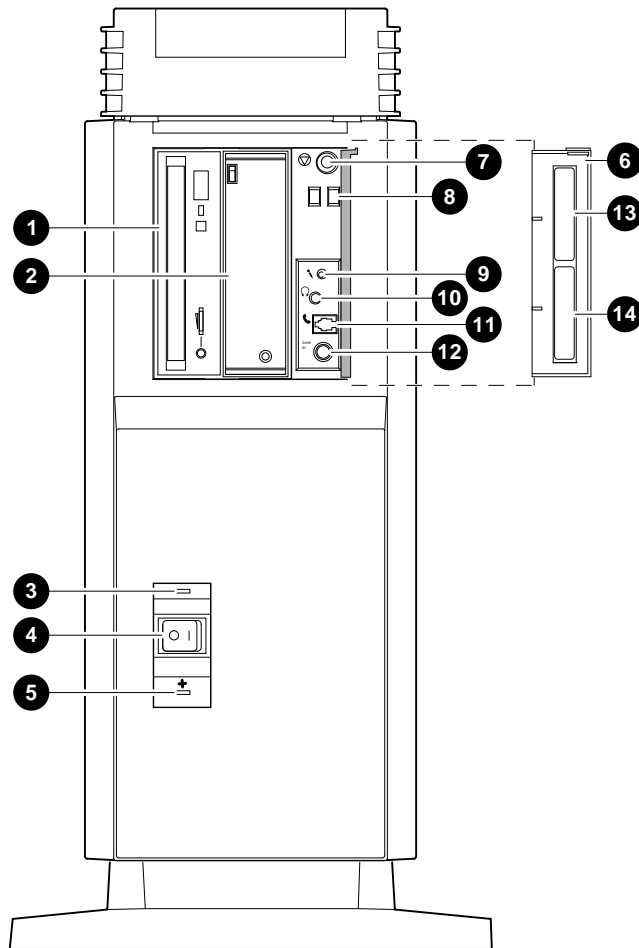
Feature	Function
❶ 10BASE-T port	To connect a 10BASE-T Ethernet network cable.
❷ AUI port	To connect an AUI (Attachment Unit Interface) Ethernet network cable (sometimes referred to as standard or thickwire Ethernet).
❸ ISDN port	To connect an Integrated Services Digital Network (ISDN) cable.
❹ Alternate console/printer port	To connect a terminal as an alternate console, or a printer.
❺ Keyboard/mouse port	To connect the keyboard/mouse extension cable.
❻ Synchronous /asynchronous communications port	To connect a communications device such as a printer, plotter, modem, or console terminal.
❼ External SCSI port	To connect Small Computer System Interface (SCSI) peripheral devices. The SCSI port has the SCSI terminator shipped in place.
❽ Alternate console switch	Toggle switch to direct console output to a monitor (switch right) or to an alternate console such as a terminal (switch left).
❾ TURBOchannel slots	To connect TURBOchannel options, such as 2D or 3D graphics modules. There are a total of six slots.
❿ Video refresh switch	To choose the correct video refresh rate (66Hz or 72Hz) for your monitor.
⓫ Monitor video port	To connect the monitor video cable.
⓬ System power socket	To connect the system unit power cord.

A Closer Look at a Pedestal System

Front of the System

Familiarize yourself with the front of the system unit, shown in Figure 2-10 and explained in Table 2-3.

Figure 2-10 Front of System Unit



MLO-007553

A Closer Look at a Pedestal System

Table 2–3 Front of the System Unit

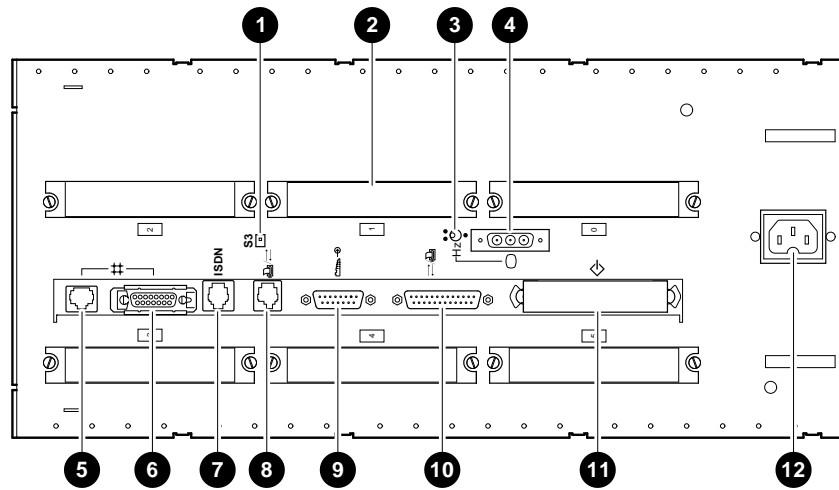
Feature	Function
❶ and ❷ Removable media devices (Optional)	Devices that provide additional data storage on removable media, such as diskettes, compact discs, cassette tapes, or cartridge tapes.
❸ Power indicator light	When lit, indicates that the system unit is on.
❹ Power On/Off switch	To turn the system unit power on () and off (O).
❺ Fan failure light	When lit, indicates that a fan has failed and the power supply has been shut down.
Feature (Behind front access door ❻)	Function
❽ Halt button	To place the system in console mode.
❾ Diagnostic display	Used for diagnostic testing purposes.
❿ Microphone input jack	To connect a microphone to the system.
⓫ Speaker output jack	To connect a speaker or headphone for audio output.
⓬ Telephone handset jack	To connect a telephone handset.
⓭ Audio input port	To connect an audio input line.
⓮ Model and serial number label	To find the model number and serial number of your system.
⓯ Network label position	Area to place optional network label that is included in the system's accessory kit.

A Closer Look at a Rackmount System

Back of the System Unit

Familiarize yourself with the ports, switches, and indicators on the back of the system unit, shown in Figure 2-11 and explained in Table 2-4.

Figure 2-11 Back of System Unit



MLO-009804

A Closer Look at a Rackmount System

Table 2–4 Back of the System Unit

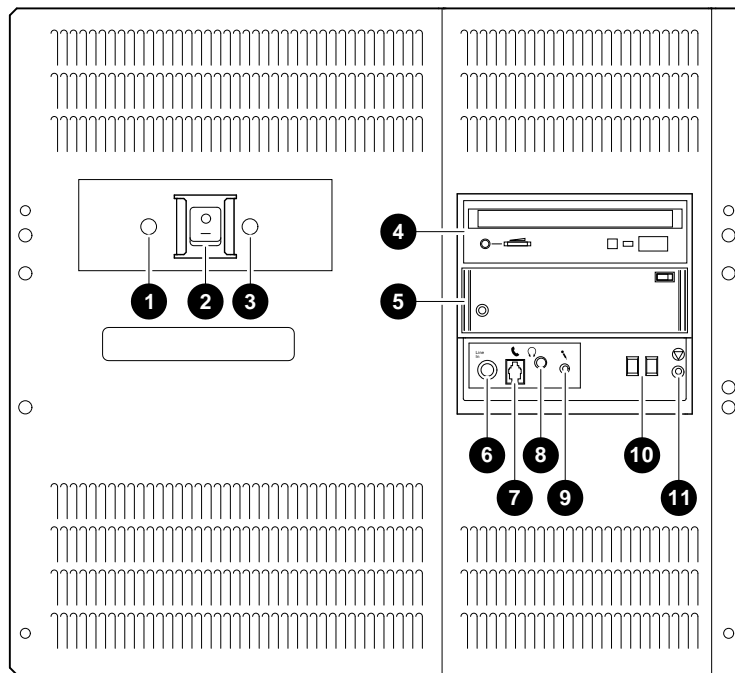
Feature	Function
❶ Alternate console switch	Toggle switch to direct console output to a monitor (switch right) or to an alternate console such as a terminal (switch left).
❷ TURBOchannel slot	To connect TURBOchannel options, such as 2D or 3D graphics modules. There are a total of six slots.
❸ Video refresh switch	To choose the correct video refresh rate (66 Hz or 72 Hz) for your monitor.
❹ Monitor video port	To connect the monitor video cable.
❺ 10BASE-T port	To connect a 10BASE-T Ethernet network cable.
❻ AUI port	To connect an AUI (Attachment Unit Interface) Ethernet network cable (sometimes referred to as standard or thickwire Ethernet).
❼ ISDN port	To connect an Integrated Services Digital Network (ISDN) cable.
❽ Alternate console/printer port	To connect a terminal as an alternate console, or a printer.
❾ Keyboard/mouse port	To connect the keyboard/mouse extension cable.
❿ Synchronous /asynchronous communications port	To connect a communications device such as a printer, plotter, modem, or console terminal.
⓫ External SCSI port	To connect Small Computer System Interface (SCSI) peripheral devices. The SCSI port has the SCSI terminator shipped in place.
⓬ System power socket	To connect the system unit power cord.

A Closer Look at a Rackmount System

Front of the System

Familiarize yourself with the front of the system unit, shown in Figure 2-12 and explained in Table 2-5.

Figure 2-12 Front of System Unit



MLO-009736

A Closer Look at a Rackmount System

Table 2–5 Front of the System Unit

Feature	Function
❶ Fan failure light	When lit, indicates that a fan has failed and the power supply has been shut down.
❷ Power On/Off switch	To turn the system unit power on () and off (O).
❸ Power indicator light	When lit, indicates that the system unit is on.
❹ and ❺ Removable media devices (Optional)	Devices that provide additional data storage on removable media, such as diskettes, compact discs, cassette tapes, or cartridge tapes.
❻ Audio input port	To connect an audio input line.
❼ Telephone handset jack	To connect a telephone handset.
❽ Speaker output jack	To connect a speaker or headphone for audio output.
❾ Microphone input jack	To connect a microphone to the system.
❿ Diagnostic display	Used for diagnostic testing purposes.
⓫ Halt button	To place the system in console mode.

System Unit Symbols

Explanation of Symbols

On the front and rear of your system unit symbols appear next to most of the controls and ports. The following list explains these symbols.



Halt Button

Press the halt button to halt the system and put the system into console mode.



Network Interface Port

Insert the cable for a network connection.

ISDN

ISDN Interface Port

Insert the cable for an ISDN network connection.



Handset Jack

Insert a telephone-style handset into this jack to use the audio input and output features of the system.

S3

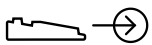
Alternate Console Switch

Indicates the alternate console switch that directs console output to the monitor or to an alternate console, such as a terminal.



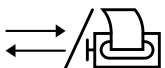
Alternate Console/Printer/Communications Port

Connect an alternate console, such as a terminal or a printer, to this port. You can also connect a communications device, such as a modem, here.



Keyboard/mouse Port

Attach the Keyboard/mouse extension cable to this port.



Communications/Printer Port

Connect a communications device, such as a modem, to this port. You can also connect a printer or terminal to this port.



SCSI Port

Attach a SCSI cable or terminator to this port.

Where to Go Next

Determine Your Next Step

Use Table 2–6 to determine which chapter to read next.

Table 2–6 Where to Go Next

If you...	Go to...
Are installing a workstation	Chapter 3
Are installing a server	Chapter 4
Installed your system using the <i>Setting Up Your Workstation</i> card or the <i>Setting Up Your Server</i> card and you want to:	
a. Connect to a network	Chapter 5
b. Start up your system	Chapter 6

3

Installing a Workstation System

Chapter Overview

Introduction

If your system is configured as a workstation, see the installation instructions in this chapter. For a server configuration, see Chapter 4. Your DEC 3000 Model 500 AXP workstation is designed to be installed quickly and easily. The information in this chapter explains how to connect the cables to the system unit and to the monitor, and how to prepare the DEC 3000 Model 500 AXP workstation for startup. Starting your workstation is explained in Chapter 6.

In This Chapter

This chapter covers the following topics:

- Before You Begin
- Task Overview
- Connecting the DEC 3000 Model 500 AXP Workstation
- System Unit Cover Lock
- Checking Your Installation
- Where to Go Next

Before You Begin



What You Should Have Done Already

Before you install your system components, you should have already completed the following tasks:

- Determined any ergonomic considerations you may have.
- Chosen a location for your DEC 3000 Model 500 AXP workstation.
- Unpacked your DEC 3000 Model 500 AXP workstation.
- Familiarized yourself with the ports and controls on the rear of the system unit.

If you have not performed all of these tasks, do so now. They are covered in Chapter 2.

What You Should Know Beforehand

Note that:

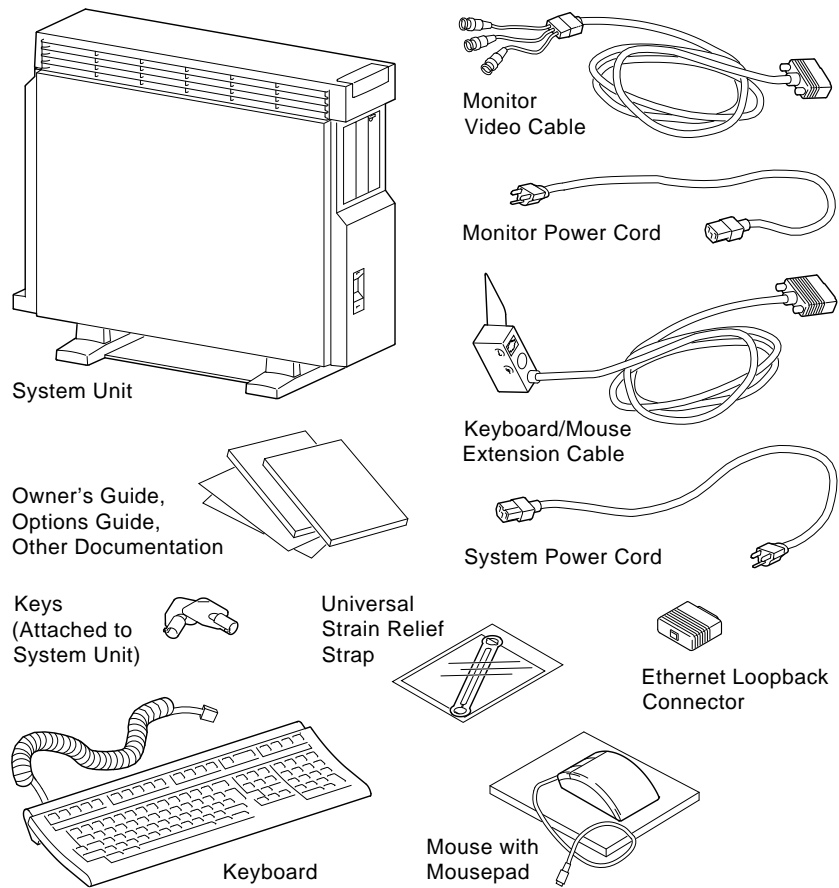
- Installing your system requires little or no previous knowledge of computer systems. Connecting your DEC 3000 Model 500 AXP workstation should take about 15 minutes.
- This chapter covers connecting your DEC 3000 Model 500 AXP as a standalone workstation. You may connect your workstation to a network with a few minor adjustments to the procedures in this chapter. Chapter 5 explains how to connect to a network.
- The accessory bag shipped with your workstation includes parts that you do not need during installation. Save any terminators and additional parts in case you need them later.

Task Overview

Parts for Installation

Figure 3-1 lists the parts required to install your workstation.

Figure 3-1 Parts Needed to Install Your Workstation



MLO-010456

Task Overview

Installation Steps

Table 3-1 gives an overview of the steps involved in installing your DEC 3000 Model 500 AXP workstation system components.

Table 3-1 Steps to Install Your DEC 3000 Model 500 AXP Workstation

Step	Connect or attach the...	To the...
1	Ethernet loopback connector	AUI Ethernet port
2	Keyboard/mouse extension cable	Keyboard/mouse port
3	Keyboard and mouse cables	Keyboard/mouse extension cable
4	Universal strain relief strap	Monitor video cable
5	Monitor cables	Rear of the monitor and an appropriate outlet
6	Monitor video cable	Monitor video cable port
7	System unit power cord	System unit power socket
8	System unit power cord	Appropriate outlet
Step	Check the...	On the...
9	Video refresh switch to make sure it is in the correct position	Rear of the system unit
10	Alternate console switch to make sure it is in the correct position	Rear of the system unit

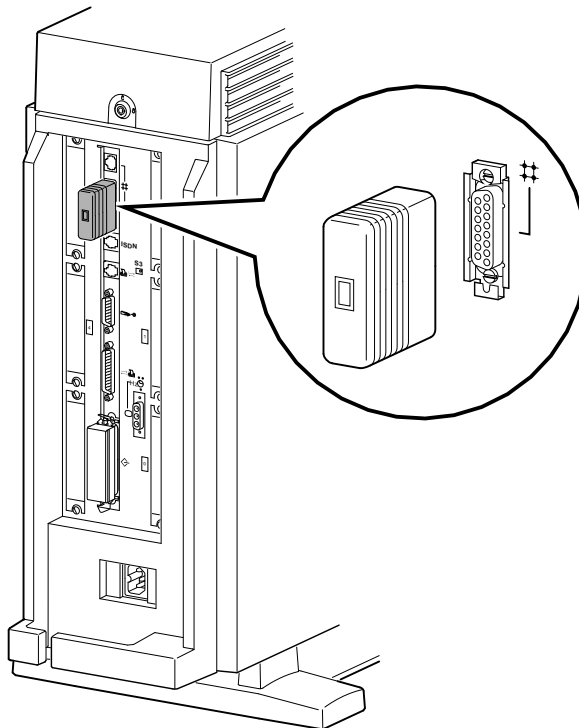
Connecting the DEC 3000 Model 500 AXP Workstation



Step 1: Attach the Ethernet Loopback Connector

Attach the Ethernet loopback connector to the AUI Ethernet port on the system unit, as shown in Figure 3-2. If you plan to connect to an AUI Ethernet network or a ThinWire Ethernet network using a DECXM transceiver (or a DESTA unit), you may omit this step. After you have completed the connections in this chapter, see Chapter 5 for information about network connections.

Figure 3-2 Attaching the Ethernet Loopback Connector



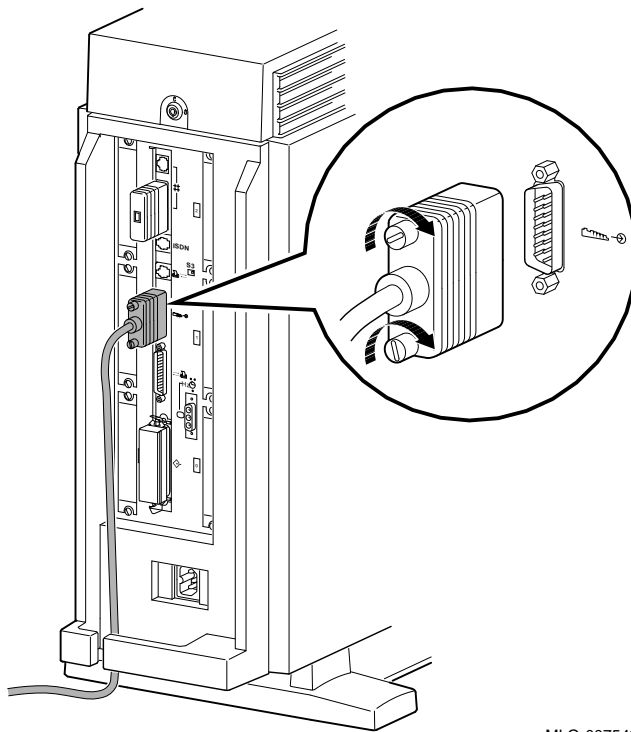
MLO-007543

Connecting the DEC 3000 Model 500 AXP Workstation

Step 2:
Connect the
Keyboard/Mouse
Extension
Cable

Connect the keyboard/mouse extension cable to the keyboard/mouse port on the system unit, as shown in Figure 3-3.

Figure 3-3 Connecting the Keyboard/Mouse Extension Cable



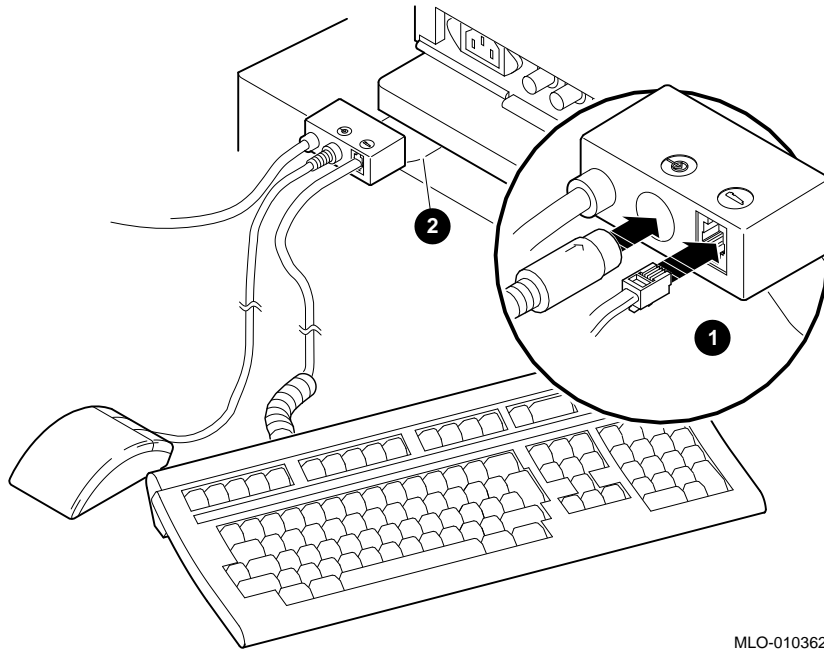
MLO-007542

Connecting the DEC 3000 Model 500 AXP Workstation

Step 3: Connect the Keyboard Cable and Mouse Cables

Connect the keyboard cable and the mouse cable to the connector block on the keyboard/mouse extension cable ❶, as shown in Figure 3-4. The extension cable is provided so that the mouse and keyboard can be located away from the system unit.

Figure 3-4 Connecting the Keyboard and Mouse to the Keyboard/mouse Extension Cable



MLO-010362

The Plastic Mylar Tab

To keep the keyboard/mouse extension cable in one location, you can place the plastic Mylar tab ❷ on the connector block of the keyboard/mouse extension cable under the base of your monitor.

Connecting the DEC 3000 Model 500 AXP Workstation

Step 4: Attach the Universal Strain Relief Strap

Attaching the universal strain relief strap to your monitor video cable can prevent the weight of the cable's junction block from pulling the cables out of the connectors on the back of the monitor.

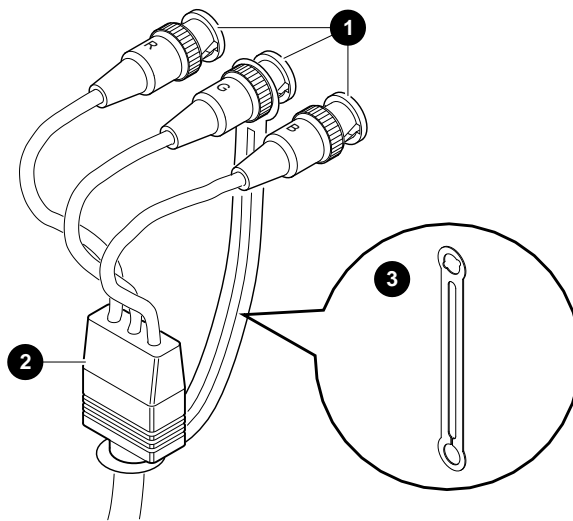
Attach the universal strain relief strap to the monitor video cable by performing the following tasks:

1. Insert the three BNC connectors ❶ and cable junction block ❷ of the video cable through the center slot of the universal strain relief strap ❸, making sure the strap is under the cable junction block.
2. Pull the video cable into the slotted hole at the bottom end of the universal strain relief strap. Bring the strap flush with the cable junction block.
3. Align the green (G) BNC connector with the two keyslots of the closed hole at the top end of the universal strain relief strap, and snap the BNC connector into the hole.

Figure 3-5 shows a universal strain relief strap properly attached.

Connecting the DEC 3000 Model 500 AXP Workstation

Figure 3-5 Connecting the Universal Strain Relief Strap



MLO-008592

Step 5: Monitor Cables to Monitor

Complete the following steps to connect the monitor cables to the back of the monitor.

- Step ❶ for a color monitor.
- Step ❷ for a monochrome or greyscale monitor.
- Step ❸ for all monitors. Table 3–3 shows the locations of the connectors on the backs of various monitors. Shaded areas indicate location of connectors.

Table 3–2 Making Monitor Connectors

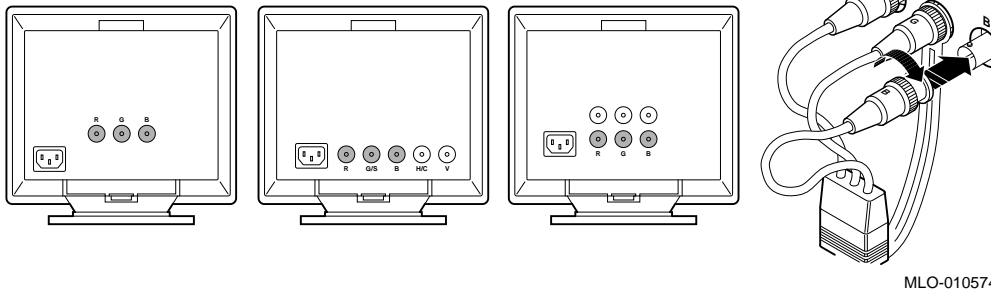
Step	See diagram with...	Then...
❶	Three connectors (color monitor)	Connect all three cable connectors to the monitor, matching the color cables, red (R), green (G), and blue (B), with the corresponding connectors marked R, G, and B on the monitor.
	Five connectors (color monitor)	Do not use the H/C and V connectors. Connect the other three cable connectors as described above.
	Six connectors (Video In and Video Out)	Use the three Video In connectors. Connect the three cable connectors as described above.
❷	One connector (monochrome or greyscale monitor)	Connect only the middle, green (G) cable connector.
❸	Monitor power cord	Connect the monitor power cord to the power socket on the rear of your monitor. The power socket may be in a different location than the position shown here. Make sure the On/Off switch is in the Off (O) position, and then plug the other end of the monitor cord into an appropriate outlet.

Connecting the DEC 3000 Model 500 AXP Workstation

Table 3-3 Connecting the Monitor Cords

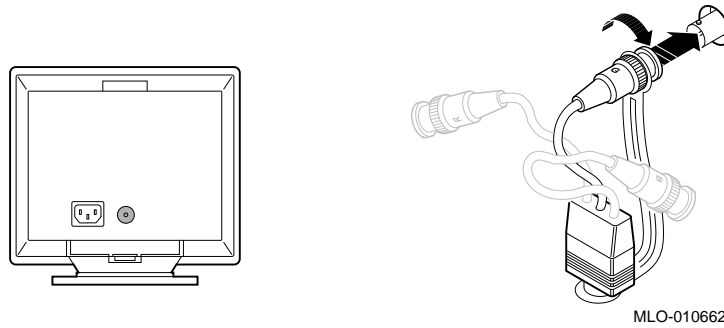
1 Connect the cable to a color monitor...

Like this...



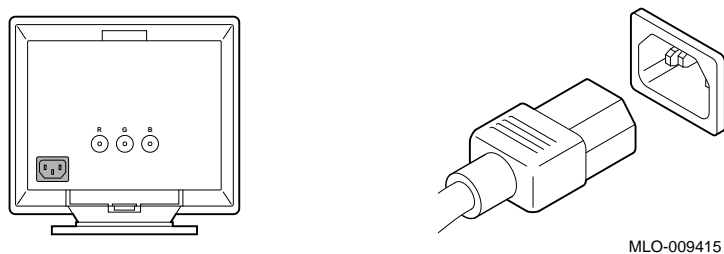
2 Connect the cable to a monochrome monitor...

Like this...



3 Connect the monitor power cord...

Like this...

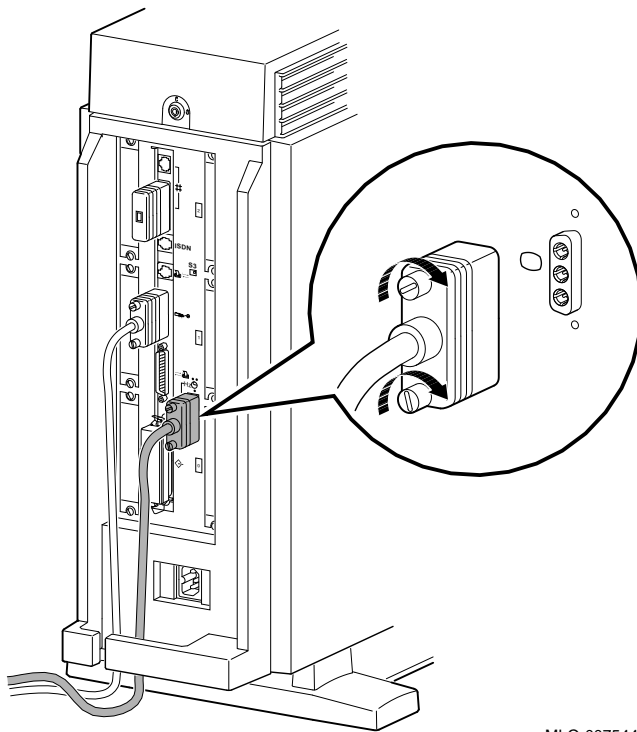


Connecting the DEC 3000 Model 500 AXP Workstation

Step 6:
Connect the
Monitor Video
Cable

Connect the monitor video cable to the monitor port on the rear of the system unit, as shown in Figure 3-6.

Figure 3-6 Connecting the Monitor Video Cable



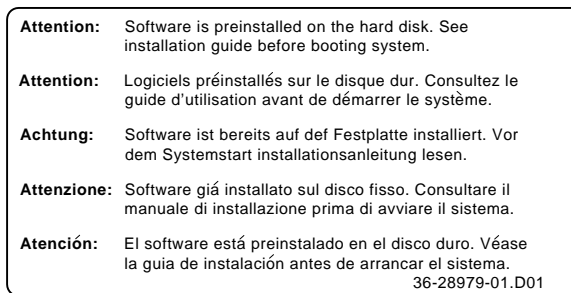
MLO-007544

Connecting the DEC 3000 Model 500 AXP Workstation

Yellow Sticker on Power Socket

If there is a sticker similar to the one shown in Figure 3–7 covering the system power socket on the rear of the system unit, your system already has either the OpenVMS AXP or the DEC OSF/1 AXP operating system, factory-installed on an internal fixed disk.

Figure 3–7 Factory-Installed Software Sticker



MLO-007596

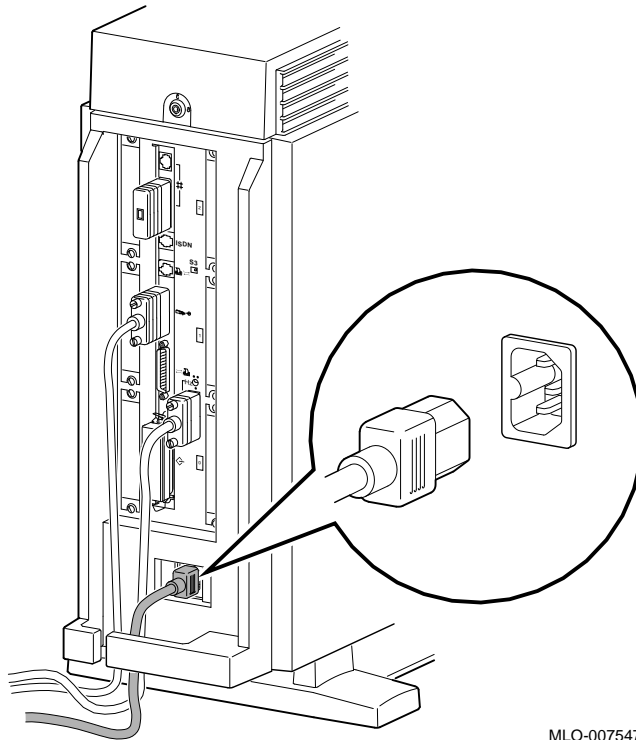
When you are ready to start your system, refer to the *OpenVMS AXP Factory Installed Software (FIS) User Information* to start your OpenVMS AXP operating system, or to the *DEC OSF/1 AXP Factory-Installed Software (FIS) User Information* to start your DEC OSF/1 AXP operating system. One of these documents will be shipped with your system, depending on which operating system you have ordered.

Connecting the DEC 3000 Model 500 AXP Workstation

Step 7: Connect the System Power Cord

Connect the system power cord to the DEC 3000 Model 500/500S AXP unit, as shown in Figure 3-8. The system power cord is the thicker of the two power cords shipped with your system, and is specially keyed to fit in the system power socket.

Figure 3-8 Connecting the System Power Cord to System



MLO-007547

Connecting the DEC 3000 Model 500 AXP Workstation

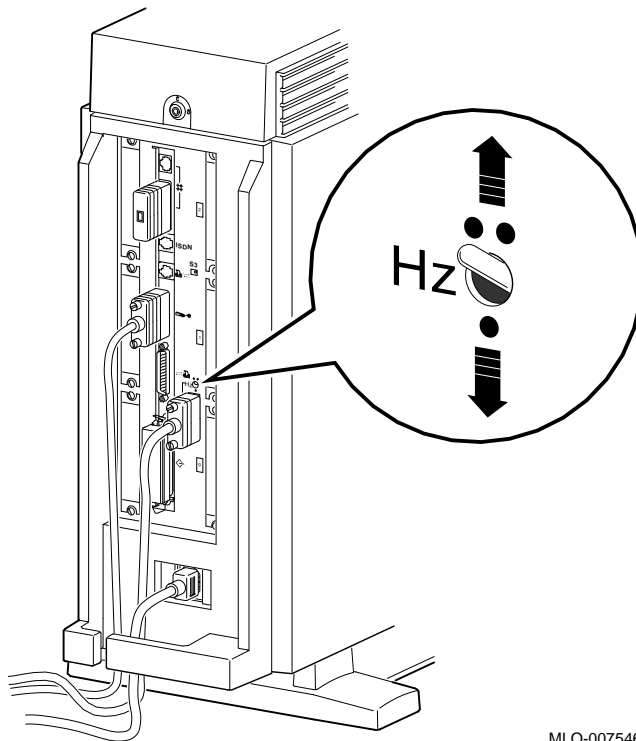
Step 8: Plug Cord Into Power Outlet

Make sure that the power On/Off switch is in the Off (O) position, and then plug the other end of the power cord into a power outlet of the correct voltage.

Step 9: Check the Video Refresh Switch

Check to make sure the video refresh switch on the system unit is set to the correct position, according to your monitor documentation's frequency refresh rate. For monitors that run at 72 Hz, the switch should be in the up, or two-dot position, as shown in Figure 3-9. For monitors that run at 66 Hz, the switch should be in the down, or one-dot position.

Figure 3-9 Checking the Video Refresh Switch



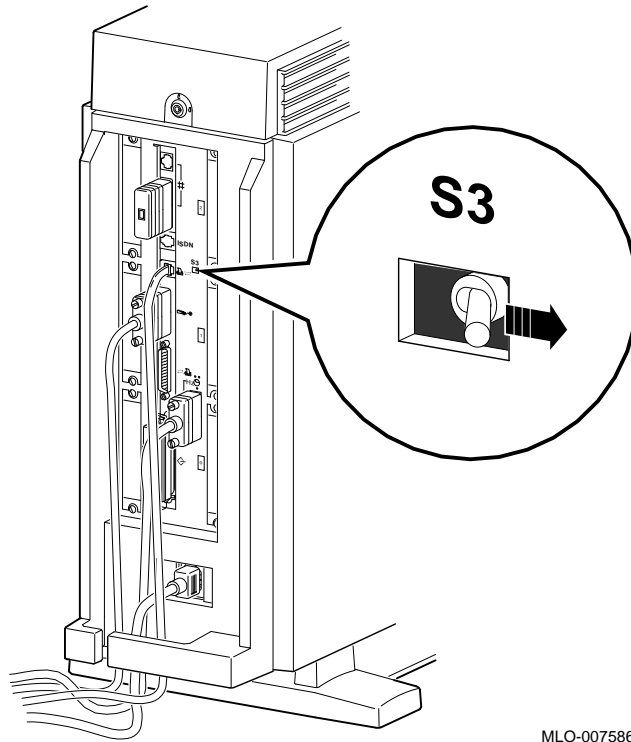
MLO-007546

Connecting the DEC 3000 Model 500 AXP Workstation

Step 10: Check the Alternate Console Switch

Check to make sure the alternate console switch on the system unit is set to the correct position, which is to the right when you are using a monitor, as shown in Figure 3-10.

Figure 3-10 Checking the Alternate Console Switch



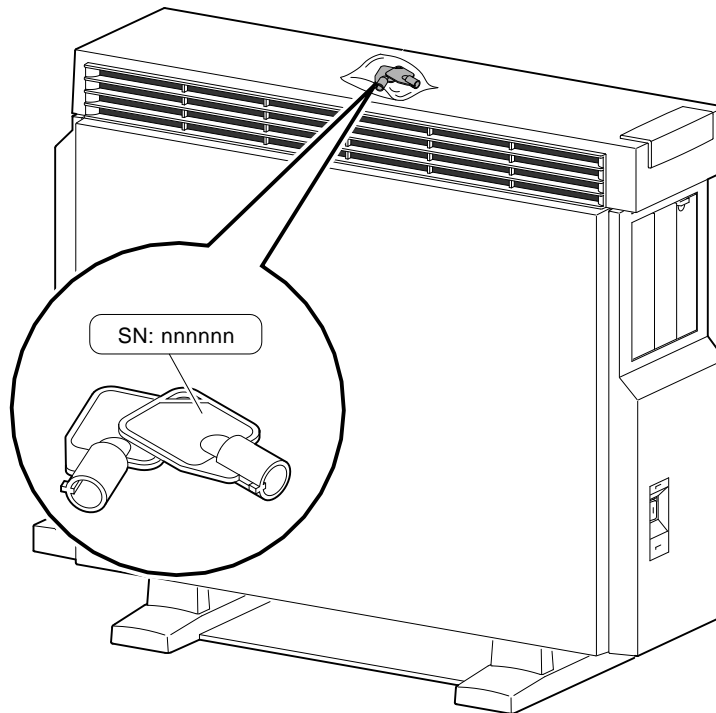
MLO-007586

System Unit Cover Lock

Additional System Unit Security

Your DEC 3000 Model 500 AXP workstation comes with a cover lock on the system unit to provide additional security. The system is shipped with a set of two keys attached to the top cover of the system unit, as shown in Figure 3-11.

Figure 3-11 System Unit Cover Keys



MLO-008595

System Unit Cover Lock

Recording the Serial Number of the Keys

If there is a serial number engraved on the system unit keys, record the number in case you lose the keys in the future. (See Figure 3-11.)

Record the serial number of the cover lock keys here:

What to Do if You Lose the Keys

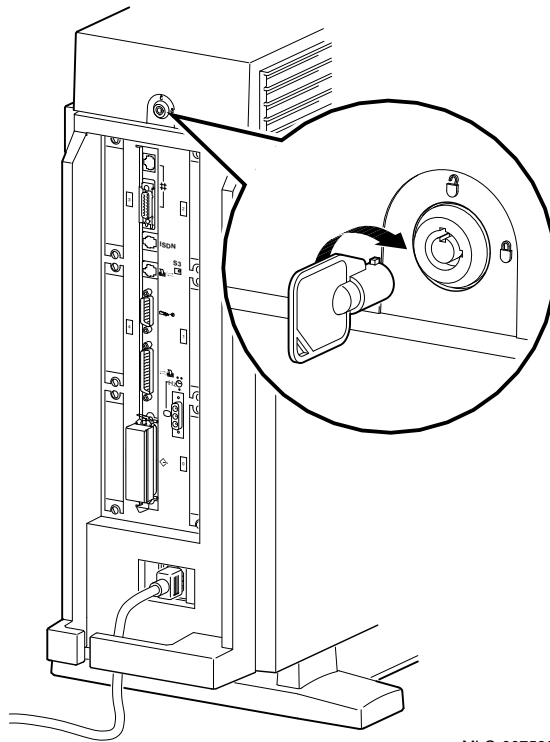
If you lose the keys to your system unit cover lock, you will need to call your Digital service representative, as described in Chapter 14. Make sure that you have the keys' serial number. If there were no serial numbers on the keys, provide this information to your Digital service representative.

System Unit Cover Lock

Locking the Cover

To lock the DEC 3000 Model 500/500S AXP unit, insert the key and turn it clockwise, as shown in Figure 3-12.

Figure 3-12 Locking the System Unit Cover



MLO-007590

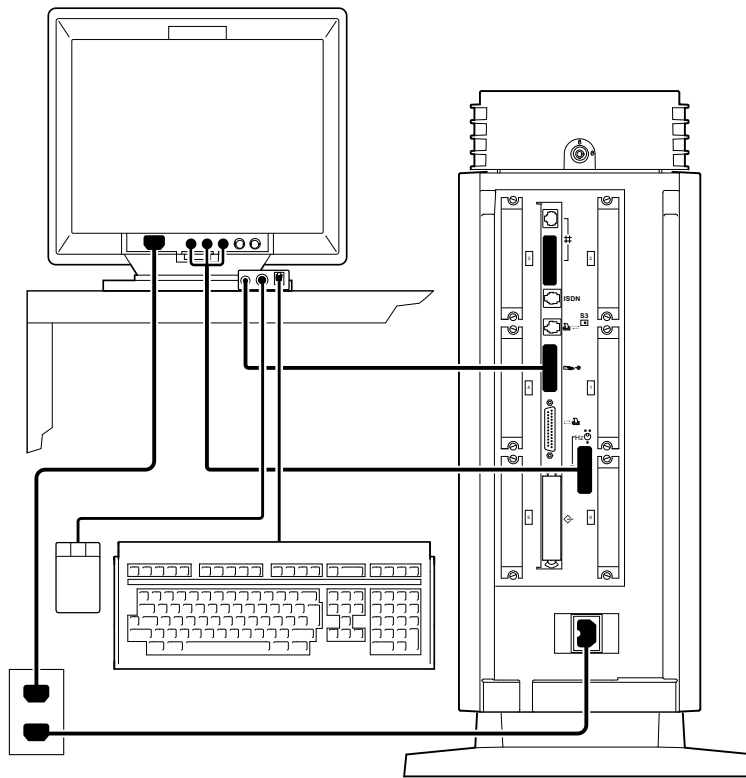
Checking Your Installation



An Installed Workstation

Check your system against the diagram in Figure 3–13 to make sure that you have connected everything correctly.

Figure 3–13 A Connected Workstation



Where to Go Next

Determine Your Next Step

After you have completed the tasks in this chapter, refer to Table 3–4 for information on where to go next.

Table 3–4 Where to Go Next

If you want to...	Go to...
Connect your system to a network	Chapter 5
Start up your system	Chapter 6

4

Installing a Server System

Chapter Overview

Introduction

If your system is configured as a server, see the installation instructions in this chapter. For a workstation configuration, see Chapter 3. Your DEC 3000 Model 500S AXP server is designed to be installed quickly and easily. The information in this chapter explains how to install the server system and how to prepare it for startup. Starting your server system is explained in Chapter 6.

In This Chapter

This chapter covers the following topics:

- Before You Begin
- Task Overview
- Connecting the DEC 3000 Model 500S AXP Server
- System Unit Cover Lock
- Checking Your Installation
- Where to Go Next

Before You Begin



What You Should Have Done Already

Before you can proceed with this chapter to install your system components, you should have already completed the following tasks:

- Chosen a location for your DEC 3000 Model 500S AXP server.
- Unpacked your DEC 3000 Model 500S AXP server.
- Familiarized yourself with the ports and controls on the rear of the system unit.

If you have not performed all of these tasks, do so now. They are covered in Chapter 2.

What You Should Know

Note that:

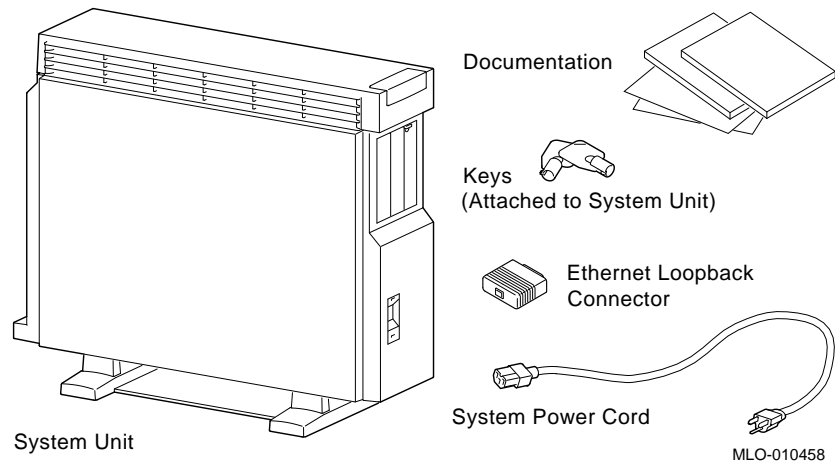
- Installing your system requires little or no previous knowledge of computer systems. Connecting your DEC 3000 Model 500S AXP server should take about 15 minutes.
- This chapter covers connecting your DEC 3000 Model 500S AXP server as a standalone server system. You may connect your server to a network with a few minor adjustments to the procedures in this chapter. Chapter 5 explains how to connect to a network.

Task Overview

Parts for Installation

The accessory kit shipped with your system includes parts that you do not need during installation. Figure 4-1 identifies the parts required to install your server. Save any terminators and additional parts in case you need them later.

Figure 4-1 Parts Needed to Install Your Server



Installation Steps

Table 4-1 gives an overview of the steps involved in installing your DEC 3000 Model 500S AXP server system components.

Task Overview

Table 4–1 Steps to Install Your DEC 3000 Model 500S AXP Server

Step	Connect the...	To the...
1	Ethernet loopback connector	AUI Ethernet port
2	Terminal cable (optional)	Alternate console/printer port
3	System power cord	System power socket
4	Power cord	Appropriate outlet
Step	Check the...	On the...
5	Alternate console switch to make sure it is in the correct position	Rear of the system unit

Connecting the DEC 3000 Model 500S AXP Server

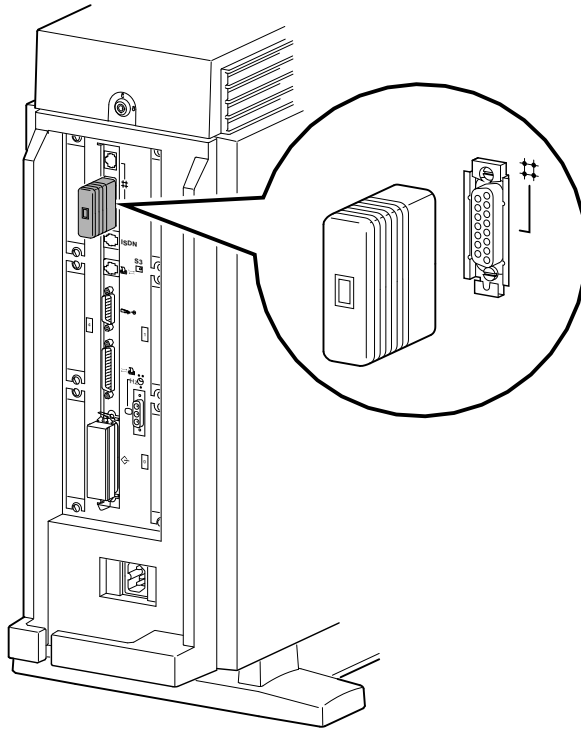


Step 1: Attach the Ethernet Loopback Connector

Attach the Ethernet loopback connector to the AUI Ethernet port on the system unit, as shown in Figure 4–2. If you are planning to connect to an AUI Ethernet network or a ThinWire Ethernet network using a DECXM transceiver (or a DESTA unit), you may omit this step. After you have completed the connections in this chapter, see Chapter 5 for information about network connections.

Connecting the DEC 3000 Model 500S AXP Server

Figure 4-2 Connecting the Ethernet Loopback Connector



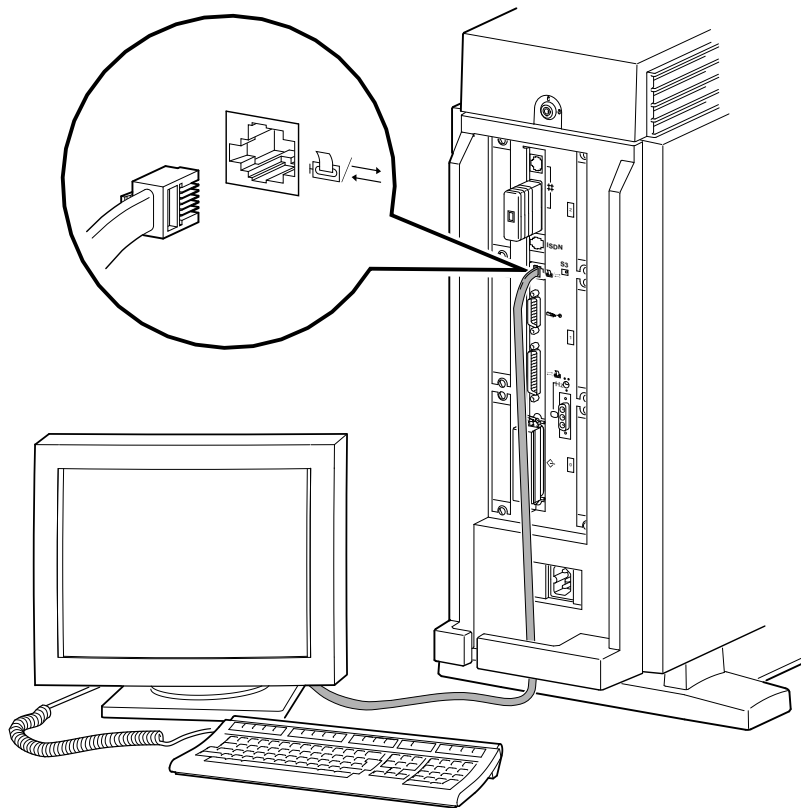
MLO-007543

Connecting the DEC 3000 Model 500S AXP Server

Step 2: Connect a Console Terminal to the System Unit

Connect a terminal to the alternate console/printer port on the rear of the system unit as shown in Figure 4-3 in order to display console and startup information. See Chapter 12 for more information on using an alternate console device.

Figure 4-3 Connecting a Terminal to the Server



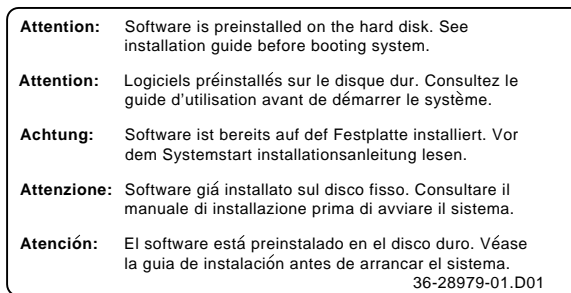
MLO-007552

Connecting the DEC 3000 Model 500S AXP Server

Yellow Sticker on Power Socket

If there is a sticker similar to the one shown in Figure 4–4 covering the power socket on the rear of the system unit, your system already has either the OpenVMS AXP or the DEC OSF/1 AXP operating system factory-installed on an internal fixed disk.

Figure 4–4 Factory Installed Software Sticker



MLO-007596

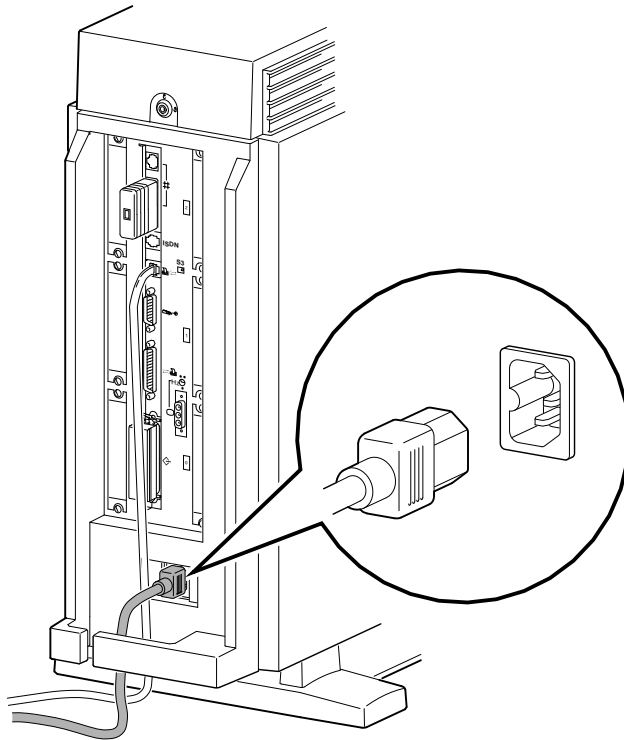
When you are ready to start your system, refer to the *OpenVMS AXP Factory Installed Software (FIS) User Information* to start your OpenVMS AXP operating system, or to the *DEC OSF/1 AXP Factory-Installed Software (FIS) User Information* to start your DEC OSF/1 AXP operating system. One of these documents will be shipped with your system, depending on which operating system you have ordered.

Connecting the DEC 3000 Model 500S AXP Server

**Step 3:
Connect the
System Power
Cord**

Connect the system power cord to the DEC 3000 Model 500/500S AXP unit, as shown in Figure 4-5. The system power cord is specially keyed to fit in the system power socket.

Figure 4-5 Connecting Power Cord to System Unit



MLO-008582

Connecting the DEC 3000 Model 500S AXP Server

Step 4: Plug Cord Into Power Outlet

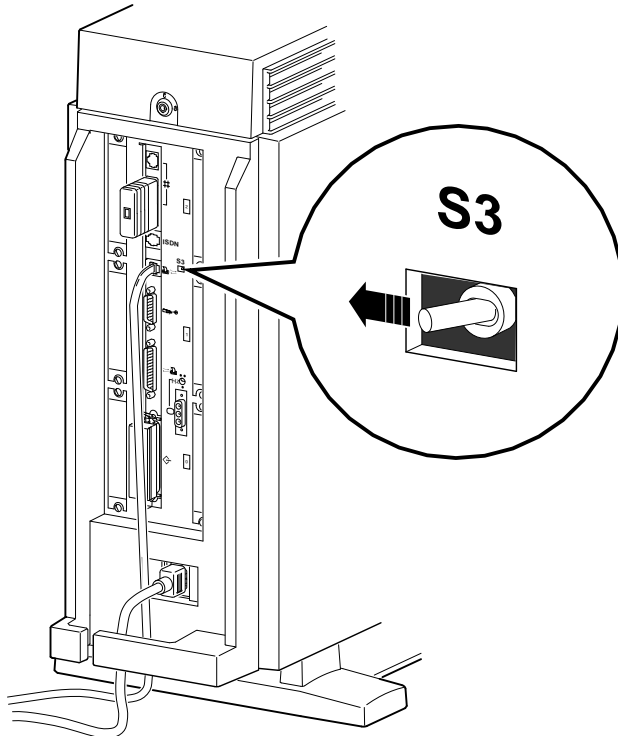
Make sure that the power On/Off switch is in the Off (O) position, and then plug the other end of the power cord into an appropriate outlet.

Step 5: Check the Alternate Console Switch

The alternate console switch on the rear of the system unit directs console output to one of two destinations: a monitor or an alternate console device, such as a terminal.

If you have connected a terminal to display console information, the switch should be in the left position as shown in Figure 4-6.

Figure 4-6 Checking the Alternate Console Switch



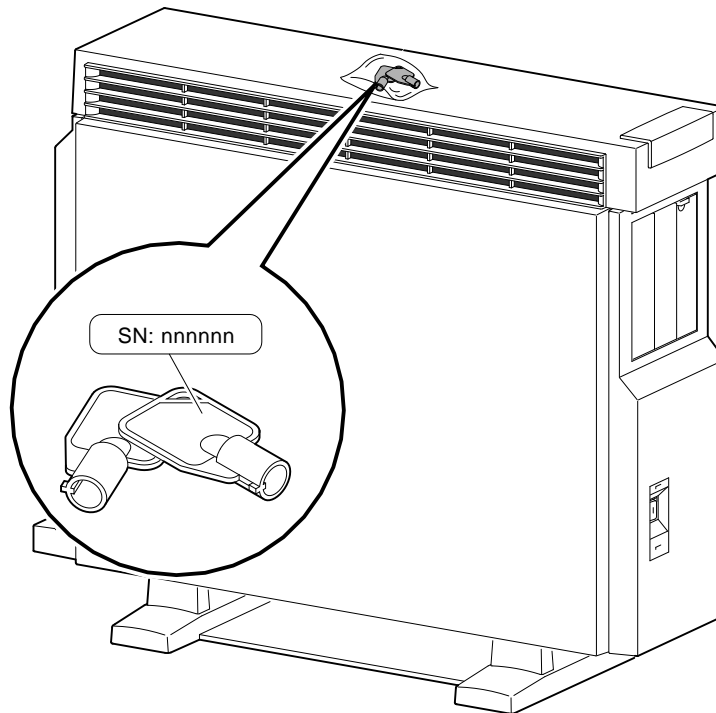
MLO-008573

System Unit Cover Lock

Additional System Unit Security

Your DEC 3000 Model 500S AXP server comes with a cover lock on the system unit to provide additional security. The system is shipped with a set of two keys attached to the top cover of the system unit, as shown in Figure 4-7.

Figure 4-7 System Unit Cover Keys



MLO-008595

System Unit Cover Lock

Recording the Serial Number of the Keys

If there is a serial number engraved on the system unit keys, record the number in case you lose the keys in the future. The (See Figure 4-7.)

Record the cover lock keys serial number here:

What to Do if You Lose the Keys

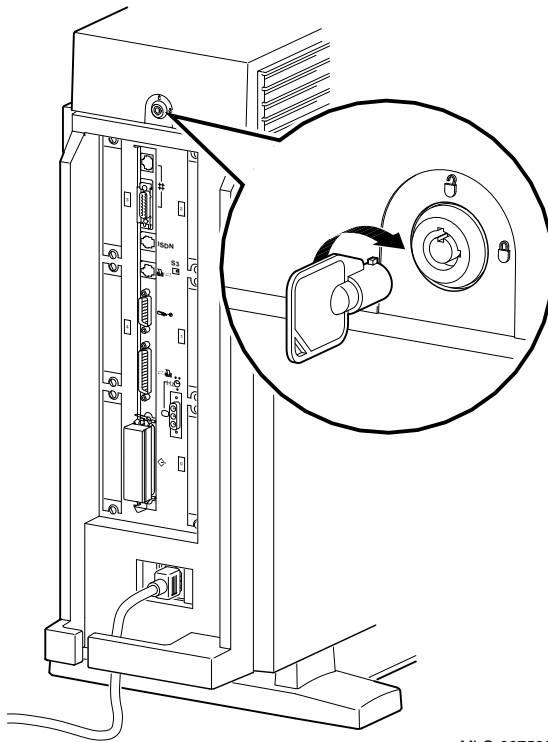
If you lose the keys to your system unit cover lock, you will need to call your Digital service representative, as described in Chapter 14. Make sure that you have the keys' serial number. If there were no serial numbers on the keys, provide this information to your Digital service representative.

System Unit Cover Lock

Locking the Cover

To lock the DEC 3000 Model 500/500S AXP unit, insert the key and turn it clockwise, as shown in Figure 4-8.

Figure 4-8 Locking the System Unit Cover



MLO-007590

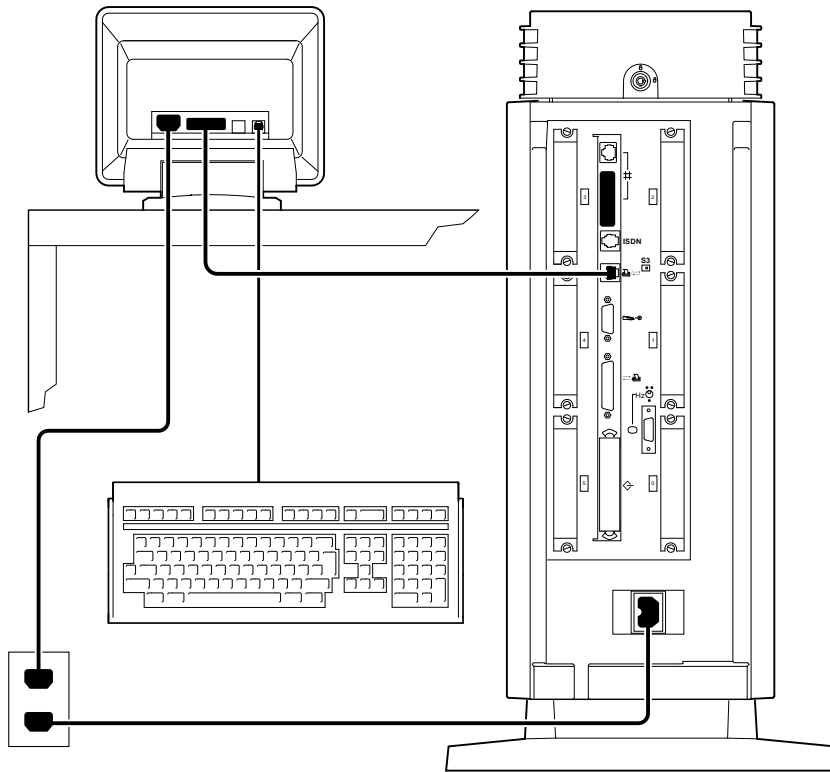
Checking Your Installation



An Installed Server

Check your system against the diagram in Figure 4-9 to make sure you have connected everything correctly.

Figure 4-9 A Connected Server



MLO-010460

Where to Go Next

Where to Go Next

Determining Your Next Step

After you have completed the tasks in this chapter, refer to Table 4-2 for information on where to go next.

Table 4-2 Where to Go Next

If you want to...	Go to...
Connect your system to a network	Chapter 5
Start up your system	Chapter 6

5

Connecting the System to a Network

Chapter Overview

Introduction

At some point, you may want to connect your DEC 3000 Model 500/500S AXP system to a network at your site. There are two parts to the task: making the hardware connections and establishing the networking software connection.

In This Chapter

This chapter describes how to complete the hardware connections to a network. For the networking software connection, see your system or network administrator at your site.

This chapter covers the following topics:

- Before You Begin
- Connecting to an AUI Ethernet Network
- Connecting to a 10BASE-T Network
- Connecting to a ThinWire Network
- Setting and Verifying the Network Connection
- Completing the Network Connection

Before You Begin



What You Should Do First

Before connecting your DEC 3000 Model 500/500S AXP system to a network, you need to:

1. Turn off your system if it is already on. See Chapter 7.
2. Determine the network type at your site.
3. Understand the network connectors on your system.
4. Obtain the correct Ethernet cables or connectors to connect to the appropriate network port on the rear of your workstation.
5. Obtain and register your network information, if necessary.

What You Should Know Beforehand

For the tasks described in this chapter, only basic hardware knowledge is desirable, as for the tasks you performed when you installed your system.

Determining Your Network Type

See your network administrator to find out the network type at your site. If there is more than one network, find out to which one you will be connecting your system.

Network Labels

For your convenience, network labels are shipped with your system. Use the network labels to record pertinent information about your system, such as the network node name and/or number. You can adhere the label to the front of your system behind the front access door on the front of the system. (See Figure 2-10 for the location of the front access door.)

Available Networks

You can connect three different types of networking cables to your DEC 3000 Model 500/500S AXP system:

1. AUI Ethernet
2. ThinWire Ethernet (by attaching a DECXM transceiver or a DESTA unit to the AUI Ethernet port)
3. 10BASE-T Ethernet
4. ISDN (Integrated Services Digital Network), when available. See Chapter 1 for a description of the ISDN services and availability.

Network Cables and Adapters

Once you determine your network type, be sure that you have the cables and connectors listed in Table 5–1 before trying to connect your system to a network.

Table 5–1 Required Network Cables

Network	Cable	Adapter
AUI Ethernet	BNE4C-xx	–
10BASE-T Ethernet	BN24F-xx or BN26K-xx twisted-pair cable	–
ThinWire Ethernet	BNE4C-xx or BNE4D-xx, BC16M-xx ThinWire cable	DECXM-AA transceiver (or DESTA-BA) and H8225 ThinWire terminator ¹

¹Terminator required only if DEC 3000 Model 500/500S AXP system is the last one on a ThinWire cable

Registering Network Information

All networks require you to register network information, such as a node name and number. You must complete this task before you can start using your system on the network. See your system or network administrator for assistance.

Connecting to an AUI Ethernet Network



Procedure Overview

To connect your DEC 3000 Model 500/500S AXP system to an AUI Ethernet network, sometimes referred to as thickwire or standard Ethernet, complete the steps in Table 5–2.

Table 5–2 Steps for Connecting an AUI Ethernet Network

Step	Action
1	Removing loopback connector.
2	Connect the AUI Ethernet cable.
3	Move the sliding lock.

Step 1: Loopback Connector

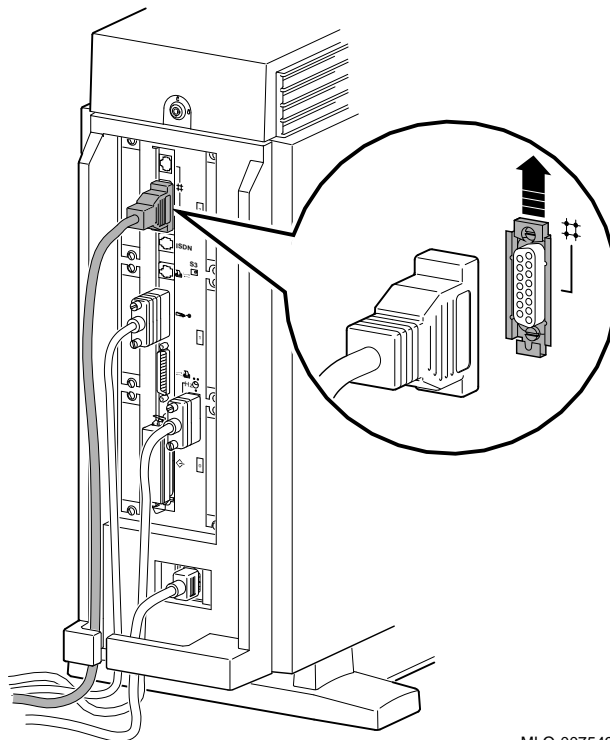
If the loopback connector is still connected to your system, remove it now. Keep the loopback connector in a safe place. You may need it later for testing purposes.

Step 2: AUI Ethernet Cable

Connect the AUI Ethernet cable (BNE4C–xx) to the AUI port on the rear of the system unit as shown in Figure 5–1. Be sure to attach the cable securely.

Connecting to an AUI Ethernet Network

Figure 5–1 Connecting to an AUI Ethernet Network



MLO-007549

Step 3: Sliding Lock

Push the sliding lock on the AUI Ethernet cable connector up, using your finger. The sliding lock prevents the cable from becoming disconnected.

Connect the other end of the cable to the AUI Ethernet network transceiver or DELNI unit.

Connecting to a 10BASE-T Network



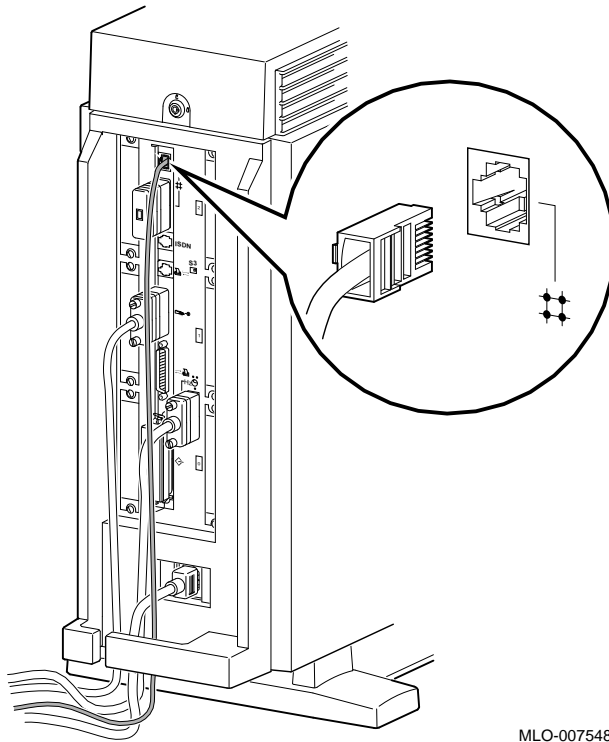
Procedure Overview

To connect your DEC 3000 Model 500/500S AXP system to a 10BASE-T network, sometimes referred to as a twisted-pair network, complete the following tasks.

1. Connect the 10BASE-T cable to the 10BASE-T port on the back of the system unit as shown in Figure 5-2, making sure that the cable is attached securely.
2. Connect the other end of the cable to the network connection.

Connecting to a 10BASE-T Network

Figure 5-2 Connecting a 10BASE-T Network Cable



MLO-007548

Connecting to a ThinWire Network



ThinWire Ethernet Connection Procedure

You can connect your DEC 3000 Model 500/500S AXP system to a ThinWire Ethernet network by attaching an Ethernet cable (BNE4C-xx) to the AUI Ethernet port on the system unit, and then attaching a a DECXM transceiver (or a DESTA unit) to the cable.

To connect your DEC 3000 Model 500/500S AXP to a ThinWire Ethernet network, complete the steps listed in Table 5-3.

Table 5-3 Steps for Connecting a ThinWire Ethernet Network

Step	Action
1	Remove loopback connector.
2	Connect a standard Ethernet cable to the AUI port on the system unit.
3	Attach the cable to a DECXM transceiver (or a DESTA unit).
4	Connect ThinWire cables and T-connector to the DECXM transceiver (or a DESTA unit).
5	Terminate the T-connector (if necessary).

Step 1: Loopback Connector

If the Ethernet loopback connector is still connected to your system, remove it now. Keep the loopback connector in a safe place. You may need it for testing purposes later.

Connecting to a ThinWire Network

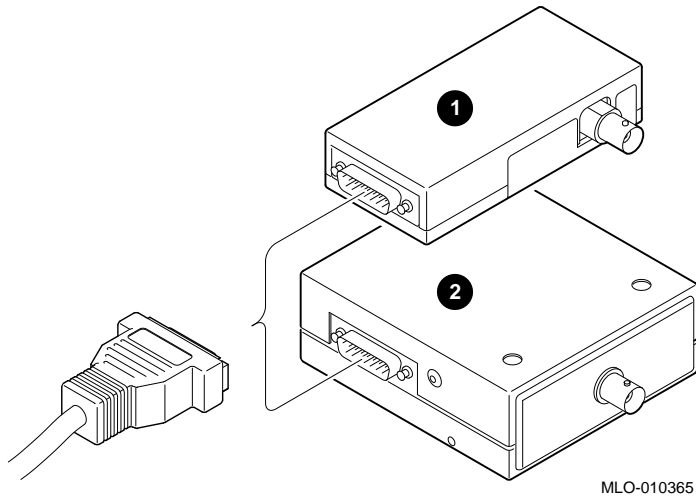
Step 2: Ethernet Cable

Connect an AUI Ethernet cable to the AUI port on the rear of the system unit, shown in Figure 5-1 of this chapter.

Step 3: DECXM Transceiver or a DESTA Unit

Connect the other end of the AUI Ethernet cable to the AUI port on the DECXM transceiver ❶, or a DESTA unit ❷, as shown in Figure 5-3.

Figure 5-3 Connecting the AUI Ethernet Cable to the DECXM Transceiver or a DESTA Unit

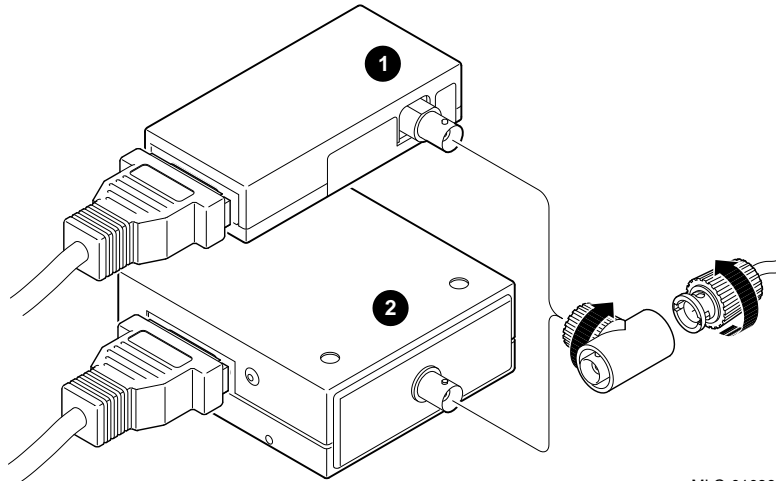


Connecting to a ThinWire Network

Step 4: ThinWire Cables and T-Connector

Connect the ThinWire network cables to the T-Connector and then the T-connector to the DECXM transceiver **1**, or a DESTA unit **2** unit, as shown in Figure 5-4.

Figure 5-4 Connecting the ThinWire Cables and T-Connector to the DECXM Transceiver or a DESTA Unit

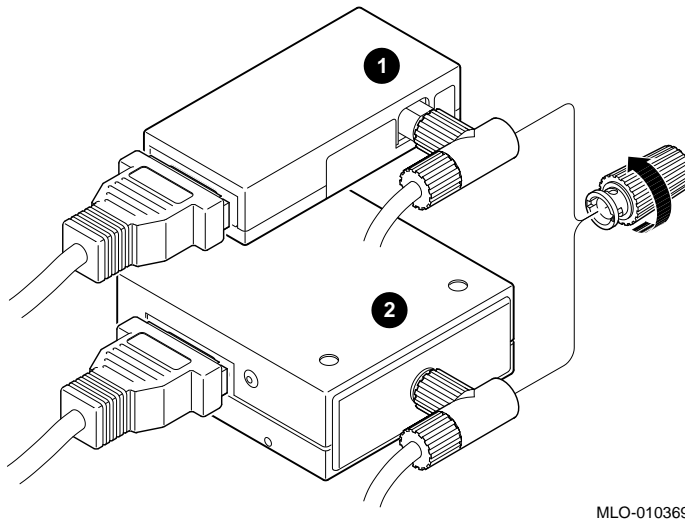


MLO-010368

Step 5: Terminate Connection

If your workstation is the last one on a ThinWire network, you need to terminate the network connection. Do this by connecting a terminator, rather than a ThinWire network cable, to one side of the T-connector on the DECXM transceiver **1**, or a DESTA unit **2**, as shown in Figure 5-5.

Figure 5-5 Terminating the Ethernet Connection



MLO-010369

For information on correct settings for your DECXM or DESTA unit, refer to Table 5-4 for documentation shipped with the units.

Table 5-4 DECXM and DESTA Documentation

For this transceiver or adapter...	See this document...
DECXM transceiver	<i>DECXM-AA Transceiver Installation, Part Number EK-DECXM-IC.</i>
DESTA unit	<i>Digital ThinWire Ethernet Station Adapter (DESTA-BA) Installation Card, Part Number EK-DEST1-IN.</i>

Setting and Verifying the Network Connection



After Cable Connections

After completing the hardware network connections to your DEC 3000 Model 500/500S AXP system, you must complete the following tasks:

1. Set the network connection type.
2. Verify the network connection.

Two Network Settings

There are two network settings recognized by your system—THICK (for an AUI Ethernet or a ThinWire Ethernet network), and TENBT (for a 10BASE-T network). The default setting is THICK. See Table 5-5 for the network setting you should use.

Table 5-5 Network Settings

For this network...	Use this network setting...
AUI Ethernet	THICK
ThinWire Ethernet	THICK
10BASE-T Ethernet	TENBT

Setting and Verifying the Network Connection

Setting the Network Type

You set the network type from console mode. To set the network type, complete the following steps:

1. Start your system as Chapter 6 describes.
2. If your system does not stop at the console prompt after the startup tests, press the halt button on the front of your system unit to display the console prompt (>>>). See Figure 2–10 for the location of the halt button.
3. Enter the following command and press the Return key:

```
>>> set ethernet network_type   
ETHERNET = network_type
```

The variable *network_type* is either THICK or TENBT, depending on which network you are using.

Verify the Network Connection

Once you have set the network type, you can verify the network connections by entering the `test ni` command at the console prompt as follows. The `test ni` command tests the Ethernet network interface (NI).

```
>>>test ni 
```

Successful Result of test ni

If the `test ni` test is successful, you will see a display similar to the following:

```
>>> test ni   
T-STN-NI - OK  
>>>
```

Error Detected During test ni

If the network test detects an error, you will see a display similar to the following:

```
>>> test ni   
T-ERR-NI - Ext Lpbk test failed  
?? 000 NI 0x00f2  
84 FAIL  
>>>
```

Setting and Verifying the Network Connection

If there is an error message, check to make sure the cable is connected securely to the system unit, or see Chapter 13 for more information.

Restarting Your Operating System

To restart your operating system, enter the `boot` command at the console prompt as follows:

```
>>> boot 
```

This is the default command to start your operating system from the disk that was shipped with your system.

If you have modified the default startup procedure by changing the environment variables (described in Chapter 10), enter the appropriate boot command for your system.

Completing the Network Connection



Contact Your Network Administrator

Once you determine that your network cables are connected securely, and your system starts up and tests without errors, contact your network administrator to configure your DEC 3000 Model 500/500S AXP workstation as part of your network.

If your system displays any error messages during the startup test, see Chapter 13 to determine the problem.

6

Starting Up the System

Chapter Overview

Introduction

Once you have installed your DEC 3000 Model 500/500S AXP workstation or server and, optionally, connected to a network, you are ready to start the system.

In This Chapter

This chapter covers the following topics:

- Before You Begin
- Turning On the DEC 3000 Model 500/500S AXP System
- Reviewing the Startup Display
- Starting a System with Factory-Installed Software
- Loading Operating System Software
- Where to Go Next

Before You Begin



What You Should Have Done Already

Before you start up your workstation or server system, you should have already completed the following tasks:

- The installation tasks described in Chapter 3 or Chapter 4.
- The network connection steps described in Chapter 5 if your system is to be networked.

If you have not performed these tasks, do so now.

What You Should Know Beforehand

The tasks in this chapter require some experience with computer tasks such as turning on the power switch, entering console commands, and responding to questions that appear on-screen during the factory-installed software procedures.

Factory-Installed Software

Preconfigured workstation and server systems with an internal fixed disk drive include a factory-installed operating system.

Turning On the DEC 3000 Model 500/500S AXP System



Turning on Your System in the Correct Order

Whenever you turn your system on, always turn on the system unit last.

For example, if your system has a monitor or an expansion box connected to it, turn on the units in this order:

1. Monitor
2. Expansion box
3. System unit

By turning on your system components in the correct order, your DEC 3000 Model 500/500S AXP system will detect all connected devices.

CAUTION: System Unit Cover

If you have removed the system unit cover for any reason, be sure to replace it on the system unit and close it securely before turning on the system. It is important that the system unit cover and side panels be in place while the system is operating to insure proper cooling of the system components and devices.

Turning On the DEC 3000 Model 500/500S AXP System

Workstation Startup Procedure

To start up the DEC 3000 Model 500 AXP workstation system, perform the steps in Table 6-1.

Table 6-1 Steps for Starting a Workstation

Step	Description
1	Turn the monitor power switch to the On position ().
2	Turn on the power switch to any other devices, such as a BA350 expansion box.
3	Turn the On/Off switch ❶ on the front of the system unit to the On () position, as shown in Figure 6-1.

Server Startup Procedure

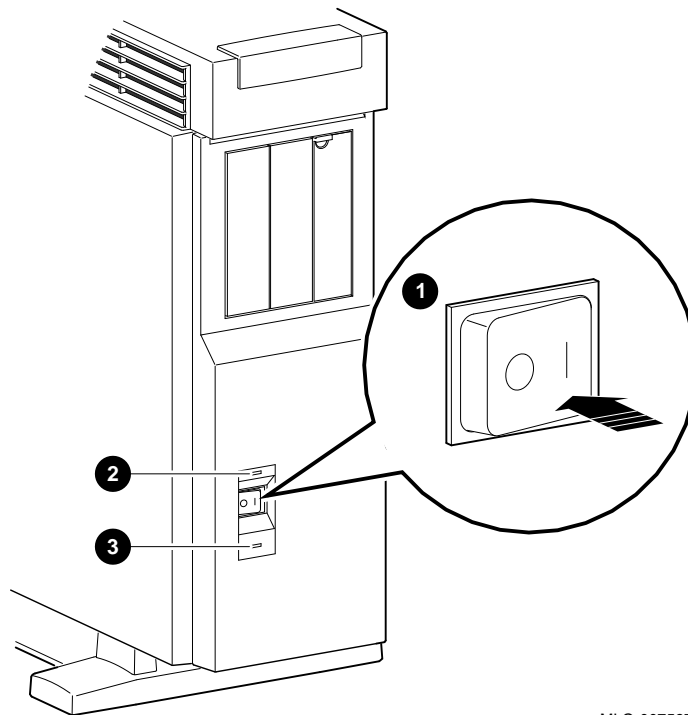
To start up the DEC 3000 Model 500S AXP server system, perform the steps in Table 6-2.

Table 6-2 Steps for Starting a Server

Step	Description
1	Turn the terminal power switch to the On position ().
2	Turn on the power switch to any other devices, such as a BA350 expansion box.
3	Turn the On/Off switch ❶ on the front of the system unit to the on () position, as shown in Figure 6-1.

Turning On the DEC 3000 Model 500/500S AXP System

Figure 6-1 Turning On the DEC 3000 Model 500/500S AXP System



MLO-007597

The power indicator light ② on the front of the system unit lights if the system has started up successfully.

If the power light does not come on, or the fan failure light ③ comes on, see Chapter 13.

What You Should See on a Workstation

When you turn on your workstation monitor and then the system unit, you should see the graphics option diagnostic startup tests displayed on the monitor screen. During this time the monitor display will flash colors (if you have a color monitor), and/or change patterns for a few seconds.

What You Should See on a Server

If you have connected an alternate console device to your server system, you should see the system startup display shown in Figure 6-2 on your screen.

Reviewing the Startup Display



Startup Display

As your system starts up, it performs a series of diagnostic tests. A display similar to the one in Figure 6–2 appears on the screen before the console prompt appears. The console prompt is three greater-than symbols (>>>).

Figure 6–2 Startup Display

```
DEC 3000 - M500
Digital Equipment Corporation
System conducting power up tests.
-----
Devnam          Devstat
-----
    CPU          OK KN15-AA - V2.x-S080-IO60 - DECchip 21064 P3.0
    ASIC         OK
    MEM          OK 128MB
    NVR          OK
    CXT          OK
    SCC          OK ptr(0) = Present keybd(2) = Present
    NI           OK Ethernet Address: 08-00-2B-1D-1E-EF , THICK
    SCSI         OK
    ISDN         OK
    TCO          OK
-----
System power up OK.
Enter B to boot software from DKA300

>>>
```

Understanding the Startup Display

The startup display provides the status of hardware components in your system. The two columns provide the following information:

- Devnam indicates the device (or component) name
- Devstat lists the device status following the initial hardware startup tests.

Table 6–3 describes the startup display in more detail.

Table 6–3 Startup Display Information

Item	Description
CPU	Lists the revision level of the system board, the firmware revision numbers and the type of processor.
ASIC	Status of the two application-specific integrated circuits (ASICs), one on the system board and one on the I/O board.
MEM	Total amount of memory and its status.
NVR	Status of non-volatile RAM and time of year (TOY) component.
CXT	Status of the integral two-dimensional graphics.
SCC	Status of the Serial Communication Controller, which includes the keyboard and mouse tests.
NI	Status of the Ethernet network interface(NI).
SCSI	Status of SCSI bus.
ISDN	Status of ISDN/Audio chip.
TC0	Status of TURBOchannel device(s). There are six TURBOchannel slots available, 0, 1, 2, 3, 4, and 5. This example indicates one TURBOchannel device installed in slot 0.

Startup Errors

If you see any error messages on the startup display screen, see Chapter 13 for more information.

Starting a System with Factory-Installed Software



Factory-Installed Software Procedure

If your system has factory-installed software (a yellow sticker was covering the power connector), the factory-installed software startup procedure will run the first time you start your system.

Factory-Installed Software Documentation

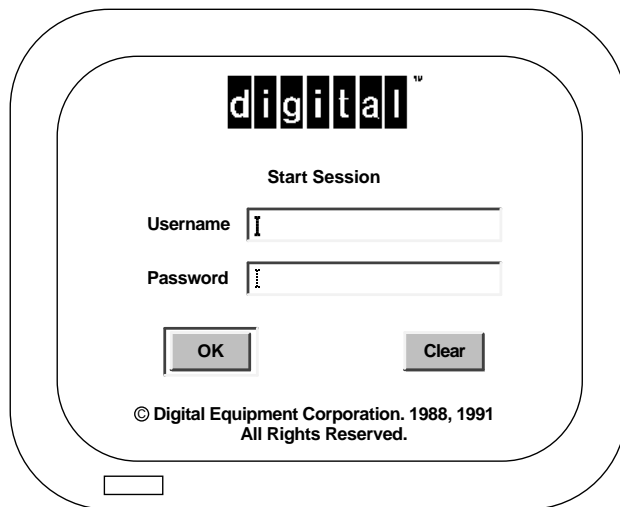
For more information about using the factory-installed software on your system, refer to the documents listed in Table 6–4. Depending on the operating system ordered with your system, one of these documents is included with your shipment.

Table 6–4 Factory-Installed Software Documentation

For information on...	Refer to the...
OpenVMS AXP operating system	<i>OpenVMS AXP Factory Installed Software (FIS) User Information</i> shipped with your system.
DEC OSF/1 AXP operating system	<i>DEC OSF/1 AXP Factory-Installed Software (FIS) User Information</i> shipped with your system.

Starting a System with Factory-Installed Software

Figure 6-4 OpenVMS AXP DECwindows Motif Start Session Screen



ZK-3620A-GE

- If your system is a server and you have connected an alternate console device, press the Return key to display the Username login prompt, and continue as follows.

Screen Prompt:	Your Input:
Username:	Type SYSTEM, and press Return to get to the next prompt.
Password:	Enter the password you entered during the FIS procedure, and press Return to continue.

Starting a System with Factory-Installed Software

DEC OSF/1 AXP Initial Startup Screen

If your system has the DEC OSF/1 AXP operating system factory-installed, you will see a display similar to the one shown in Figure 6-5 when you first turn on your system and after the system startup messages are completed.

Figure 6-5 DEC OSF/1 AXP Initial Startup Display

```
*****
*   Welcome to the DEC OSF/1 AXP(tm) Factory-Installed   *
*   Software Startup Procedure.                           *
*****

During this startup procedure, you will be prompted to enter
the following information:

o a system name
o a new superuser password
o your local time zone
o the date and time

To discontinue this procedure and halt your system,
enter n at the following prompt.

Would you like to continue? (y/n):
```

DEC OSF/1 AXP Startup Dialog

The DEC OSF/1 AXP Factory-Installed Software procedure that runs when you start your system prompts you to answer some questions and gives you instructions for completing installation of your DEC OSF/1 AXP operating system.

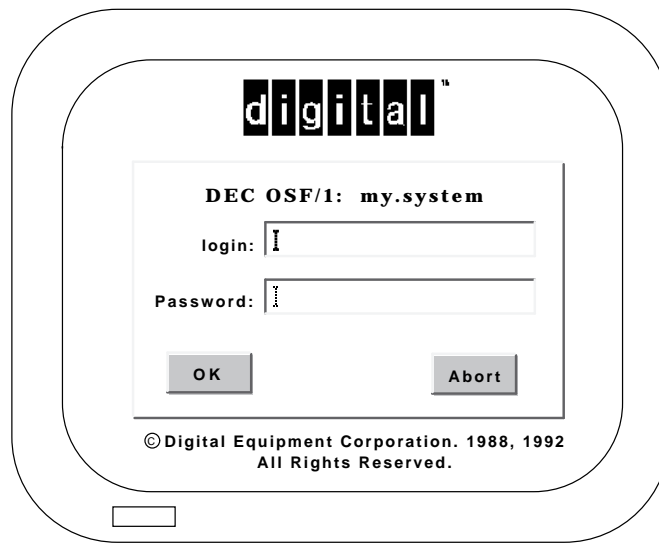
Starting a System with Factory-Installed Software

Log In to Your System

After the DEC OSF/1 AXP FIS procedure completes, you can log in to your system as follows:

- If your system is configured as a workstation, the DECwindows Motif Start Session screen shown in Figure 6-6 will be displayed.

Figure 6-6 DEC OSF/1 AXP DECwindows Motif Start Session Screen



ZK-0766U-R

- If your system is a server and you connected a terminal as an alternate console device, continue as follows at the login prompt.

Screen Prompt:	Your Input:
login:	Type root, and press Return to get to the next prompt.
Password:	Enter the password you entered during the FIS procedure, and press Return to continue.

Loading Operating System Software



No Factory-Installed Software

If your system was not preconfigured with an internal fixed disk drive, you do not have factory-installed software on your system. To install the operating system, you must start your system and load your operating system software from a compact disc. Instructions for handling and using compact discs are included with the operating system software.

Loading the Operating System

Loading your operating system software from a compact disc requires specific operating system instructions. These instructions are available in the documents listed in Table 6–5. These documents are included with your operating system software shipment.

Table 6–5 Start the Operating System

For this operating system...	Refer to...
OpenVMS AXP	<i>OpenVMS Alpha Version 1.0 Upgrade and Installation Manual</i>
DEC OSF/1 AXP	<i>Guide to Installing DEC/OSF1 Alpha</i>

Note: OpenVMS AXP Conversational Boot

If your system hangs or fails to boot completely, you may need to perform a conversational boot, also known as a minimum boot. Information on this procedure is described in detail in the document listed in Table 6–5.

Where to Go Next

After Your System Starts

Once your DEC 3000 Model 500/500S AXP workstation or server has started, use Table 6-6 to determine what to read next.

Table 6-6 Where to Go Next

If you want to...	Go to...
Start using your system	Your operating system or application software documentation for more information.
Connect your system to a network	Chapter 5
Change the default startup procedure for your system	Chapter 10

7

Turning Off the System

Chapter Overview

Introduction This chapter describes the steps you should take to turn off your system.

In This Chapter This chapter covers the following topics:

- Before You Begin
- Task Overview
- Shutting Down the System
- Halting the System

Before You Begin



What You Should Do First

Before turning off your system, determine the current status of your workstation or server system, as Table 7-1 describes.

Table 7-1 Current System Status

If your system is...	Then you should...
Networked, or part of a cluster	See your system manager before shutting down your system.
Not networked, but running the operating system	See Step 1: Shut Down Operating System.
At the console prompt (>>>)	See Step 2: Turn Off the Hardware.

What You Should Know Beforehand

Shutting down your system may require knowledge of file backup and operating system shutdown procedures.

The following privileges may also be required:

- For the OpenVMS AXP operating system, the shutdown procedure usually requires certain software privileges
- For the DEC OSF/1 AXP operating system, you may require superuser privileges to shutdown the system

If you do not have the required system privileges, ask your system manager for assistance in this task.

Task Overview

System Shutdown Steps

Table 7-2 gives an overview of the steps involved in shutting down your DEC 3000 Model 500/500S AXP system.

Table 7-2 Steps to Shutting Down Your System

Step	Action
1	Shut down the operating system (if it is running).
2	Turn off the hardware.

Shutting Down the System



Step 1: Shut Down Operating System

If your system is connected to a network or is part of a cluster, be sure to contact your system manager for further instructions before shutting down the operating system on your system.

Refer to the documentation in Table 7-3 for information about the operating system shutdown procedure:

Table 7-3 Operating System Shutdown Procedure

For...	Refer to...
OpenVMS AXP	<i>OpenVMS Alpha Version 1.0 Upgrade and Installation Manual or the OpenVMS System Manager's Manual</i>
DEC OSF/1 AXP	<i>System Management, Vol 2, Guide to System Shutdown and Startup.</i>

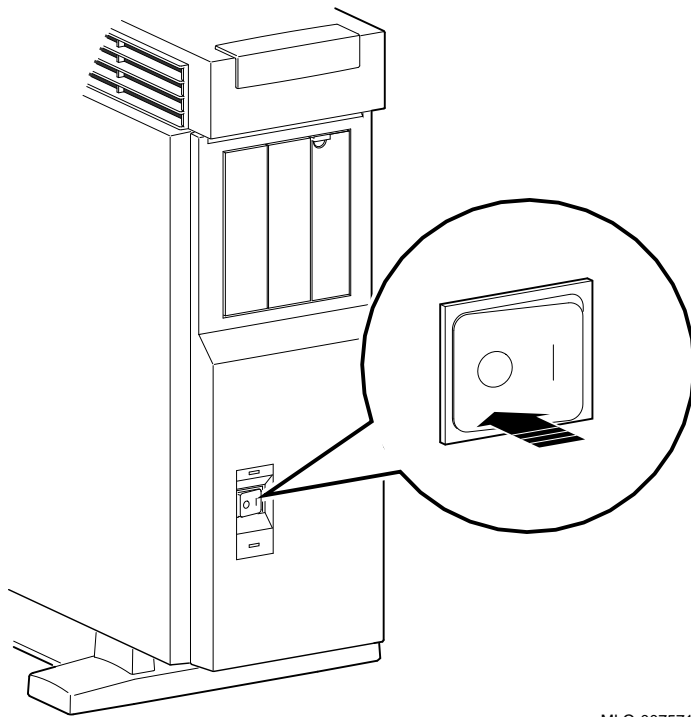
Step 2: Turn Off the Hardware

After shutting down the operating system software, you can turn off the hardware by completing the following steps. Server systems may not have a monitor.

1. Turn off (O) the system unit by pressing the On/Off switch, Figure 7-1.
2. Turn off (O) all expansion boxes.
3. Turn off (O) all peripheral devices (such as printers and modems).
4. Turn off (O) the monitor.

Shutting Down the System

Figure 7-1 Turning Off the System Unit



MLO-007571

Halting the System



When to Halt the System

While turning off the hardware usually requires that you first run the operating system shutdown procedures, it may be necessary to halt your system for other reasons. Halting the system returns control from program mode (operating system) to the console mode, and displays the console prompt (>>>).

Table 7-4 describes when to halt the system.

Table 7-4 Halting the Operating Systems

For this operating system...	Halt the system if you...
DEC OSF/1 AXP	Cannot run the operating system shutdown procedures and need to reboot the system. Do not halt the system while the operating system is actively running, since you may lose data or damage the system disk.
OpenVMS AXP	Cannot run the operating system shutdown procedures and need to reboot the system Want to return to console mode to issue the console commands listed later in this chapter.

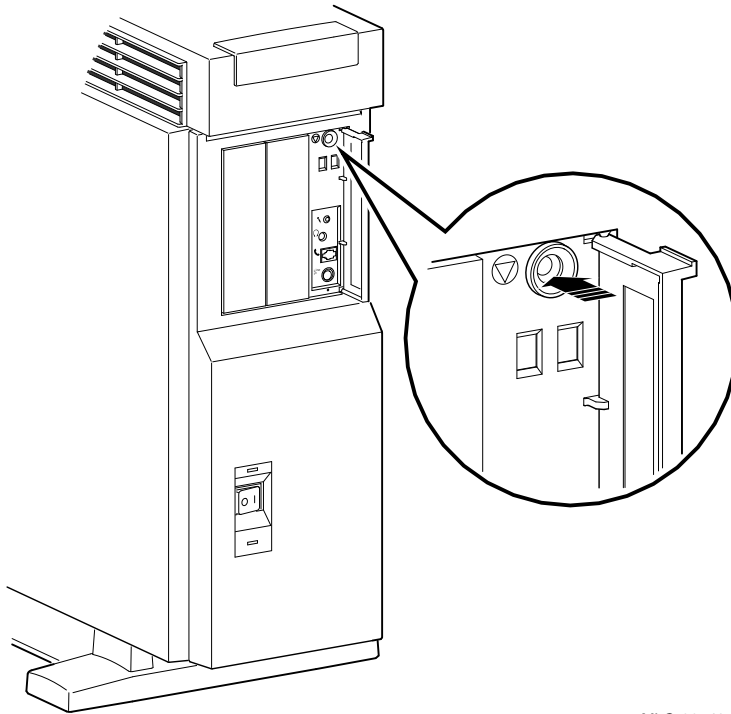
Table 7-2 lists the documentation describing operating system shutdown procedures.

Halting the System

Pressing the Halt Button

To halt the system, locate the halt button on the front of the system unit, press it once and release it, as shown in Figure 7-2.

Figure 7-2 Pressing the Halt Button



MLO-007497

Halting the System

System Halt Display

When you press the halt button, you may see a system halt message similar to the one shown in Figure 7–3.

Figure 7–3 System Halt Message

```
>>>
?02 EXT HLT
PC= 00000000.20000000 PSL= 00000000.00001F00
```

This message indicates that the halt button has been pressed. It does not signify an error. Note that a halt message is not always displayed.

If you have halted your system to access console commands, you can continue now.

Screen Display When You Halt a Workstation

If you press the halt button on a workstation system running DECwindows Motif with the OpenVMS AXP operating system, the console prompt appears in the top left-hand corner of the screen. Approximately four lines of console information are displayed at a time. The remainder of the screen continues to display the DECwindows Motif session.

Console Commands You Can Issue

You can use only the following commands when your system is halted while running the OpenVMS AXP operating system:

- `continue`, to exit from console mode and return to the operating system
- `help`
- `help advanced`
- `help mips_emulator`
- `help set`
- `help show`
- `printenv`
- `set`
- `show`

Using other console commands may affect memory contents and thus prevent the system from being able to return to the operating system.

Halting the System

Returning to Program Mode

To return to program mode of your operating system, enter the `continue` command as follows:

```
>>>continue 
```

Press the and keys to remove the console display area from the top of your screen and return to a full DECwindows Motif display.

8

Maintaining the System

Chapter Overview

Introduction

While your DEC 3000 Model 500/500S AXP system is designed to function in a range of environmental conditions, it is an electrical device that should be treated with care and maintained properly.

Correct use and maintenance of your system unit, monitor, keyboard, and mouse not only ensures that the system functions properly, but also helps avoid more serious problems that could cause permanent damage.

In This Chapter

This chapter covers the correct use and maintenance of your DEC 3000 Model 500/500S AXP system, but does not cover the maintenance that your Digital service representative can perform. The following topics are included:

- Before You Begin
- Maintaining the System Unit and Keyboard
- Cleaning the Monitor
- Cleaning the Mouse
- Removing the Front Access Door

Before You Begin



What You Should Do First

Before performing any maintenance tasks, take these steps:

1. Complete the tasks outlined in Chapter 7 to turn off your system.
2. Prepare any cleaning materials you may need.

You can then complete your system maintenance tasks.

Maintaining the System Unit and Keyboard



Caring for the System Unit

The DEC 3000 Model 500/500S AXP system unit requires adequate ventilation. Ideally, the system unit should be positioned in as dust-free an environment as possible. Also, never position the system unit in direct sunlight where it may become too hot.

Clean your system regularly by wiping dust and particles from the system unit and the keyboard with a soft cloth.

CAUTION: Food and Liquid

Do not place food or liquid on or near your DEC 3000 Model 500/500S AXP system.

Maintaining the System Unit and Keyboard

Liquid on the System Unit

If you inadvertently spill liquid on the system unit and it goes inside, turn off the system as soon as possible and contact your Digital service representative as indicated in Chapter 13.

Accidental Spills on the Keyboard

While care should be taken not to spill food or liquid on the system unit or the keyboard, follow these steps if you spill water on the keyboard:

1. Unplug the keyboard from the system unit.
2. Wipe up the excess water immediately.
3. Turn your keyboard over to drain any remaining water.
4. Leave the keyboard to dry on its own for several hours before connecting it to your system again.

If the keyboard does not work correctly when you reconnect it, contact your Digital service representative, as described in Chapter 13.

If you spill something like a carbonated drink, tea, or coffee on the keyboard, disconnect the keyboard from the system unit and call your Digital service representative immediately.

Cleaning the Monitor

Cleaning the Monitor



Cleaning Procedure

To clean the monitor screen, follow these steps:

Step	Action	Result or Comment
1	Turn the monitor power switch to the off position (O).	The monitor is powered off.
2	Using any reputable household glass cleaner, spray the cleaner onto a soft cloth and wipe the screen.	Do not spray the cleaner directly onto the monitor screen.
3	Remove dust and particles from the monitor casing with a soft, dry cloth.	

Cleaning the Mouse



When to Clean the Mouse

Clean the outside of the mouse with a soft damp cloth whenever necessary.

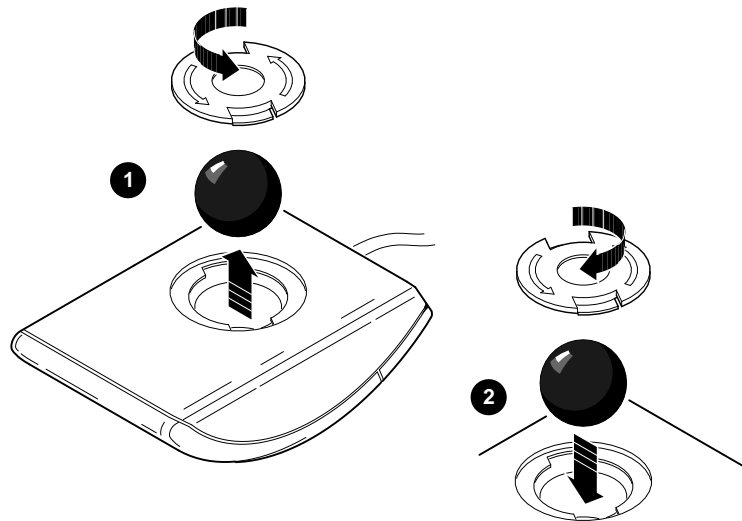
When to Clean the Rubber Ball

If the arrow or pointer on your screen does not move freely as you direct it with the mouse, you may need to clean the rubber ball inside the mouse as Table 8-1 describes.

Table 8-1 Steps for Cleaning the Mouse

Step	Description
1	Turn the mouse upside down and remove the cover plate ❶ as shown in Figure 8-1.

Figure 8-1 Removing/Replacing the Mouse Cover Plate



MLO-010355

- 2 Remove the rubber ball and clean it with lukewarm water. If necessary, use a mild soap. Do not use any kind of organic solvents to clean the rubber ball as they can damage the coating. Dry the rubber ball with a soft cloth.
- 3 Return the rubber ball to the mouse unit and replace the cover plate ❷ making sure that it is locked into position so that the rubber ball cannot fall out.

Removing the Front Access Door



Procedure to Remove Front Access Door

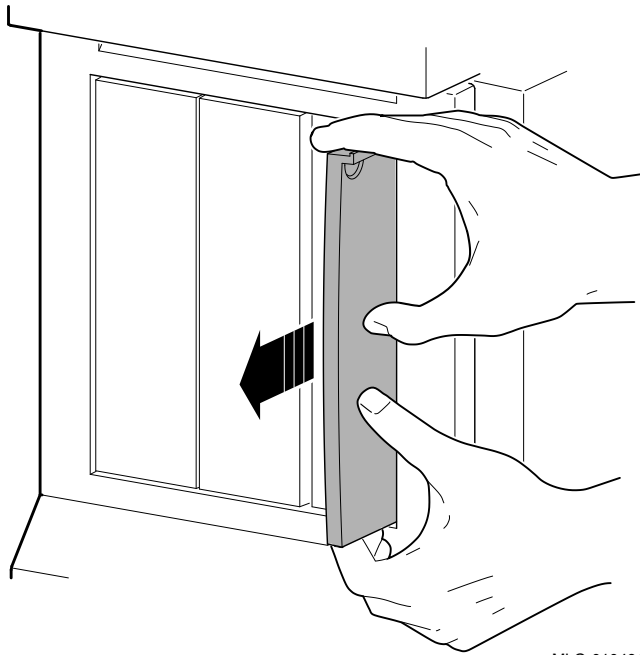
If you wish to remove the front access door to have improved access to the audio ports, halt switch and indicator lights, follow the steps listed in Table 8–2 and see Figure 8–2.

Table 8–2 Steps to Remove the Front Access Door

Step	Procedure
1	Place thumbs in center of front access door
2	Place index fingers on either end of door
3	Gently apply pressure to middle of door with thumbs
4	As door is bent inward, slide door free of hinge

Removing the Front Access Door

Figure 8–2 Removing the Front Access Door



MLO-010461

Part II

Advanced Operations

Part II describes how to perform advanced operations with the DEC 3000 Model 500/500S AXP system. This part includes the following chapters:

Chapter	Title
9	Using Console Commands
10	Changing Environment Variables
11	Using the Password Security Feature
12	Using an Alternate Console

9

Using Console Commands

Chapter Overview

Introduction This chapter explains how to use the DEC 3000 Model 500/500S AXP system in console mode and describes some of the available console commands.

In This Chapter This chapter covers the following topics:

- Before You Begin
- Modes of System Operation
- Console Mode User Interface
- Console Commands
- The boot Command
- The continue Command
- The halt Command
- The help Command
- The help advanced Command
- The set or setenv Command
- The show or printenv Command
- The test Command

Before You Begin



What You Should Do First

Before using any console commands, you should complete these tasks:

- Put your system in console mode. If your system is not displaying the >>> prompt, refer to Chapter 7 to shut down your operating system and/or halt your system.
- Read this entire chapter before continuing.

What You Should Know Beforehand

Using console commands requires at least an intermediate, and sometimes advanced, knowledge of your system and its components, and the effect that console commands can have on your system.

CAUTION: Control of System Devices

Console commands control system devices and memory. Do not use console commands without fully understanding the effect that they can have on your DEC 3000 Model 500/500S AXP system.

For instance, some advanced-level commands, such as `deposit` and `set` let you manipulate nonvolatile and system memory. Using the `deposit` command to place a value in a location of memory containing the actual console firmware could either hang the system or prevent it from restarting after it was powered off.

If you are not sure about using console commands, ask your system manager for help.

Advanced Console Command Information

This document does not describe all console commands, especially those commands requiring extensive technical knowledge. For a complete description of all console commands and how to use them, see the *DEC 3000 Model 500/500S AXP Service Guide*.

Modes of System Operation

Two Modes of Operation

Your DEC 3000 Model 500/500S AXP can run in either of two modes:

1. Console mode
2. Program mode

Console Mode: Definition

In console mode, the system operates under the control of the console subsystem, rather than the operating system. All user input is passed directly to the console.

Console mode is in effect when the system is turned on and the operating system software has not been started, or has been interrupted, by pressing the halt button, for example.

Program Mode: Definition

In program mode, the system and console are under control of the operating system. All user input is passed to the operating system. You cannot issue console commands without returning to console mode.

Program mode is in effect when the system is turned on and the operating system software has started. In program mode, the user can manage the system, run software applications, and perform network tasks.

When Console Mode is Used

By definition, you will interact directly with the console subsystem under the following circumstances:

- Before booting the operating system software
- While setting environment variables (see Chapter 10)
- When using the Firmware Update Utility (see the *DEC 3000 and DEC 4000 AXP Firmware Release Notes* for more information)
- When trying to identify and resolve system problems or errors (see Chapter 13)

Console Mode User Interface

Console Interface Components

The console mode user interface is made up of the following elements:

- Console prompt
- Special keys and control characters
- Console commands

Console Prompt

The console mode prompt looks like this:

```
>>>
```

You can enter control characters and console commands at the console prompt.

Console Mode Keys and Control Characters

Control characters are entered by holding down the key labeled Ctrl while pressing another key, for example, **Ctrl/C**.

Table 9–1 lists the keys and control characters that you can use while operating in console mode.

Table 9–1 Supported Keys and Control Characters

Key or Control Character	Function
Return	The Return key executes the command that you enter at the console prompt.
<x	The delete key deletes one character to the left of the current command line position. On video terminals, deleted characters will be erased from the screen. On hardcopy terminals, deleted characters display within a pair of backslash delimiters (\ \) as they are deleted.
Ctrl/C	This character aborts the current command. This command has no effect once control has been passed from console mode to another program, such as the operating system or a loadable diagnostic application. This command appears as ^C on the screen.
Ctrl/O	This character suppresses output to the console terminal until the Ctrl/O control character is pressed again. This command appears as ^O on the screen.
Ctrl/S	This character suspends output to the console terminal until you press Ctrl/Q.
Ctrl/Q	This character resumes the display that was previously suspended by pressing Ctrl/S.

Console Commands



Levels of Commands

Console commands can be divided into two groups:

- Advanced
- Basic

Advanced Console Commands List

It should rarely be necessary for you to use the advanced console commands. Table 9–2 provides a brief explanation of the advanced commands and tells where to find information about using them.

Table 9–2 Advanced Console Commands

Command	Function	See
deposit	Writes to specific memory, I/O, and register locations from the console	The help advanced Command
examine	Displays contents of specific memory, I/O, and register locations from the console	The help advanced Command
initialize	Initializes the console, a device, or a specified processor	The help advanced Command
login	Accesses the system when the password security feature is in use	Chapter 11
repeat	Executes diagnostic tests repeatedly	The help advanced Command
start	Starts program execution at a given address	The help advanced Command

The remainder of this chapter describes the basic console commands.

Basic Console Commands List

All of the basic commands are described in this document. Table 9–3 lists the basic commands and where you can find information about using them.

Table 9–3 Basic Console Commands

Command	Function	See
boot	Starts the operating system or other loadable software	The boot Command
continue	Returns from console mode to operating system level	The continue Command
halt	Halts the system	The halt Command
help	Displays help for console commands	The help Command
help advanced	Displays help about comprehensive help commands	The help advanced Command
help mips_emulator	Displays help for various TURBOchannel device tests	The help Command
help set	Displays information about the set or setenv command	The help Command
help show	Displays information about the show or printenv command	The help Command
printenv	Shows environment variables	The show or printenv Command , Chapter 10, and Chapter 14
set	Sets an environment variable	The set or setenv Command and Chapter 10
setenv	Sets an environment variable	The set or setenv Command and Chapter 10
show	Shows environment variables	The show or printenv Command , Chapter 10, and Chapter 14
test	Executes diagnostic tests	The test Command and Chapter 14

The boot Command

Description The `boot` command initializes the system and starts the boot program, which loads and starts the operating system software.

Command Syntax Issue the `boot` command using the following syntax:
`>>> boot <-flags> <-filename> boot_device`

Command Description The `boot` command and its parameters are described in Table 9-4.

Table 9-4 Boot Command Parameters/Qualifiers

Parameter	Specified as	Description
<i>-flags</i>	<code>-fl <value></code>	ASCII string of up to 23 characters.
<i>-filename</i>	<code>-fi <filename></code>	A filename of up to 23 characters, used when booting across a network device to specify the name of a file to load into the system.
<i>boot_device</i>	Device name, such as DKA200	A device from which the system attempts to boot.

Default Boot Flags If you do not use the `-fl` and `-fi` parameters with the `boot` command, the system uses the default boot flag values (0, 0).

Information about using boot flags is provided in your operating system documentation:

For the...	Refer to the...
OpenVMS AXP operating system	<i>OpenVMS Alpha Version 1.0 Upgrade and Installation Manual</i>
DEC OSF/1 AXP operating system	<i>Guide to Installing DEC/OSF1 Alpha</i>

Overriding the Default Boot Flag Value

You can override any current default settings by specifying a parameter with the `boot` command, for example:

```
>>> boot -fi "myboot.com" 
```

The parameter you specify overrides any current default settings, but does not change the default values stored as environment variables. See Chapter 10 for information about changing environment variables.

Boot Device Naming Conventions

You can specify the boot device name in two ways, using either an OpenVMS- or a DEC OSF/1-style device name. Table 9–5 provides a list of the device naming conventions, which can be used for the boot command in either operating system. The command syntax is described in the example `boot` commands that follow Table 9–5.

Table 9–5 Device Naming Conventions

OpenVMS AXP	DEC OSF/1 AXP	Device Type
DK	RZ	Fixed or removable disk
MK	TZ	Tape
ES	ES	Ethernet, MOP protocol
N/A	EZ	Ethernet, BOOTP protocol

For operating system-specific information about how to use the `boot` command, see your operating system documentation. Refer to Table 6–5 for more information.

The boot Command

**Example:
OpenVMS AXP
boot Command**

The following example indicates the command to boot the OpenVMS AXP operating system without any flags from a fixed disk drive:

```
>>> boot dka100 
```

The device name elements in this boot command are defined as follows:

- dk—the device type, in this instance an internal fixed disk drive
- a—the SCSI device controller (could be a or b)
- 100—the SCSI ID number

**Example: DEC
OSF/1 AXP
boot Command**

The following example indicates the command to boot the DEC OSF/1 AXP operating system without any flags from an internal fixed disk drive:

```
>>> boot rz1a 
```

The device name elements of the OSF/1-style boot command are defined as follows:

- rz—the device type, in this instance an internal fixed disk drive
- 1—the SCSI ID number (unlike the OpenVMS-style command, only the single digit number is used, such as 1 rather than 100)
- a—the SCSI device controller (could be a or b)

The continue Command

Description	The <code>continue</code> command returns the system to operating system level after console mode has been invoked.
DEC OSF/1 AXP Operating System	This command is not applicable for systems running the DEC OSF/1 AXP operating system. You can halt the system, enter console commands, and then return to program mode using the <code>continue</code> command only on systems running the OpenVMS AXP operating system.
Command Syntax	<p>Issue the <code>continue</code> command as follows:</p> <pre>>>> continue <input type="text" value="Return"/></pre> <p>Your operating system should resume execution after you enter this command, providing that the contents of memory used by the operating system have not been altered or corrupted. Commands that can corrupt or alter system memory include the <code>test</code>, <code>init</code>, and <code>deposit</code> commands.</p>

The halt Command

Description	The <code>halt</code> command halts the system. There are no parameters associated with this command.
--------------------	---

The halt Command

Command Syntax

Issue the `halt` command as follows:

```
>>> halt Return
```

The system halts and the following message displays:

```
?2E HLTD  
>>>
```

The help Command

Description

The `help` command displays a brief list of console commands, parameters, and qualifiers. You can specify one of the following topics with the `help` command, to display specific information:

- `help mips_emulator`
- `help set`
- `help show`

Command Syntax

Issue the `help` command as follows:

```
>>> help Return
```

Your system displays a list of topics similar to the following:

```
BOOT  
HELP ADVANCED  
INITIALIZE  
SET[ENV] <envar> <value>  
SHOW | PRINTENV [<envar>]  
TEST  
>>>
```

The help Command

Command Example

The following command indicates how to obtain help on the show command:

```
>>> help show 
```

The system responds with the following display:

```
PRINTENV |
SHOW { AUTO_ACTION | BOOTDEF_DEV | BOOT_OSFLAGS |
      BOOT_RESET | CONFIG | DEVICE |
      DIAG_LOE | DIAG_QUICK | DIAG_SECTION |
      ENABLE_AUDIT | ETHERNET | ERROR |
      LANGUAGE | MEMORY | MOP |
      RADIX | SCSI_A | SCSI_B |
      SCSI_RESET | SECURE | SERVER |
      TRIGGER }
```

```
>>>
```

The help advanced Command

Description

The help advanced command displays a list of all help topics available, including advanced console commands, parameters, and qualifiers.

Command Syntax

Issue the help advanced command as follows:

```
>>> help advanced 
```

The help advanced Command

Command Example

When you issue the help advanced command, your system displays a list of topics similar to the following:

```
BOOT [- FL <bflg> ] [-FI <filnam> ] <devlist>
CONTINUE
DEPOSIT [{-B | -W | -L | -Q | -A }][{-PM | -VM }][{-G}[-U][-N:<n>]
        [{<addr> | <sym>| + | - | * | @ } ] [<datum>]]
EXAMINE [{-B | -W | -L | -Q | -A }][{-PM | -VM }][{-G}[-U][-N:<n>]
        [{<addr> | <sym>| + | - | * | @ } ]
HALT
HELP [MIPS_EMULATOR | SET | SHOW]
INITIALIZE
LOGIN
REPEAT <cmd>
SET[ENV] <envar> <value>
SHOW | PRINTENV <envar>
START <addr>
TEST <devnam> [<tstnam>]
```

The set or setenv Command

Description

The `set` or `setenv` command lets you set an environment variable.

Command Syntax

Issue the `set` or `setenv` command as follows:

```
>>> setenv environment_variable 
```

The *environment_variable* parameter can be any of the environment variables listed in Table 10–1. Setting the password environment variable is described in Chapter 11.

Command Example

See Chapter 10 to see how to use the `set` command to change environment variables.

The show or printenv Command

Description The `show` or `printenv` command provides information about the current setting for one or all environment variables. Entering the `show` or `printenv` without a parameter displays a list of all current environment variable settings.

Command Syntax Issue the `show` or `printenv` command as follows:

```
>>> show variable_name 
```

In the command above, *variable_name* can be any of the environment variables described in Chapter 10.

Command Example To show the current setting for the `auto_action` environment variable, enter the following command:

```
>>> show auto_action 
```

The system responds with the following information:

```
AUTO_ACTION=HALT
>>>
```

Information about the `show` command is also provided in Chapter 10.

The test Command

The test Command

Command Description

The `test` command lets you run diagnostic tests on the components listed in Table 9–6:

Table 9–6 Diagnostic Tests

Test Name	Device Tested
ASIC	Application-specific integrated circuit
MEM	Memory
NVR	Non-volatile RAM
CXT	Integral two-dimensional graphics
SCC	Serial communications controller
NI	Network interface (Ethernet)
SCSI	SCSI device(s)
ISDN ¹	79C30A AMD chip
TC n	TURBOchannel options, where n is the number of the TURBOchannel device you wish to test

¹Running ISDN diagnostic tests also tests the audio port

Command Syntax

Issue the `test` command as follows:

```
>>> test component Return
```

where *component* is any of the components listed previously. If you issue the `test` command without specifying a component, the system will test all components. For more information about the `test` command, see Chapter 14.

10

Changing Environment Variables

Chapter Overview

Introduction

Environment variables are firmware parameters that can be changed to suit your specific system needs. You set environment variables while your system is in console mode. Your system is shipped with default values set for all available environment variables. The environment variable settings include the following startup information:

- The device from which your system boots
- The default startup action each time your system is turned on or a halt instruction is executed by software
- The language used in console mode

This chapter describes the available environment variables and how to display or change the current settings.

In This Chapter

This chapter includes the following topics:

- Before You Begin
- Available Environment Variables
- Displaying Current Environment Variables
- Changing the Default Startup Action (auto_action)
- Changing the Default Boot Device (bootdef_dev)
- Changing the Default Diagnostic Startup Mode (diag_quick)
- Changing the Default Keyboard Language (language)

Before You Begin



What You Should Do First

Before changing any environment variables, you should complete these tasks:

- Put your system in console mode. If your system is not displaying the >>> prompt, refer to Chapter 7 to shut down your operating system, and/or halt your system.
- Read Chapter 9 and the rest of this chapter before continuing.

What You Should Know Beforehand

Changing environment variables requires an understanding of what each of the environment variables does, and how changing the defaults will affect your system. Do not change any environment variable without fully understanding the effect that the change may have on your DEC 3000 Model 500/500S AXP system.

If you are not sure about changing environment variables, ask your system manager for help.

Available Environment Variables

Description of Environment Variables

Table 10–1 describes the DEC 3000 Model 500/500S AXP system environment variables and their default values. Information about environment variables not documented in this chapter or in Chapter 11 can be obtained via the `help advanced` command, or in the *DEC 3000 Model 500/500S AXP Service Guide*.

Available Environment Variables

Table 10–1 Environment Variables

Variable	Description	Default
auto_action	Specifies the action the console should take any time the system is turned on.	BOOT
bootdef_dev	Sets the default boot device.	{null}
boot_osflags	Sets the boot flags. This environment variable is usually operating system-dependent.	0, 0
boot_reset	Determines whether the system should be reset before attempting to boot.	ON
diag_loe	Determines whether the diagnostic test loop-on-error flag is set. This is available for loadable diagnostics only.	OFF
diag_quick	Sets the diagnostic startup mode to normal or fast startup testing.	OFF
diag_section	Sets the diagnostic operating environment. (Used by Digital Services.)	1
enable_audit	Sets whether console audit messages are displayed during the boot process.	ON
ethernet	Sets the Ethernet type for the system, either THICK or TENBT.	THICK
language	Sets the console keyboard mapping to a supported language.	English (3)
mop	Sets the Ethernet network listener during console mode.	ON
password	Sets the password to enable the password security feature.	No password
radix	Sets the default input radix to a specified value.	0 (Hexadecimal)
scsi_a	Sets the host ID number for the SCSI_A port.	7
scsi_b	Sets the host ID number for the SCSI_B port.	7
scsi_reset	Sets the time to wait to reset the SCSI device before booting.	4
secure	Sets the password security feature.	OFF
server	Sets the system to server status, thus determining which startup tests are performed.	ON for DEC 3000 Model 500S AXP server
trigger	Sets the remote trigger to On or Off.	OFF

Displaying Current Environment Variables



Using the show Command

You can use the `show` command to display one or all of the environment variables in Table 10–1.

Displaying Current Environment Variable Values

To display a list of the current values for all environment variables, enter the `show` command as follows and press the Return key.

```
>>> show 
AUTO_ACTION = BOOT
BOOTDEF_DEV = {null}
BOOT_OSFLAGS = 0,0
ENABLE_AUDIT = ON
BOOT_RESET = ON
SCSI_RESET = 4
DIAG_LOE = OFF
DIAG_QUICK = OFF
DIAG_SECTION = 1
ETHERNET = 08-00-2B-10-07-29, THICK
LANGUAGE = 3
MOP = ON
SECURE = OFF
RADIX = 0
SCSI_A = 7
SCSI_B = 7
SERVER = OFF
TRIGGER = OFF
```

You can change any of the environment variables with the `set` or `setenv` command.

Changing the Default Startup Action (auto_action)



Description

The `auto_action` environment variable determines the default startup action—the action the console takes any time the system is halted by software (not by pressing the halt button) or turned on.

Available Settings for auto_action

Table 10–2 lists the three different startup actions you can specify for the `auto_action` environment variable and the command parameters to use for each. Note that the parameter can be either a word, such as *boot*, or a corresponding number, such as *2*.

Table 10–2 Parameters for Setting Startup Action

Startup Action	Parameter
Restart. Boot automatically when system is turned on or following a software halt instruction.	<i>restart</i> or <i>1</i>
Boot. Boot automatically only when system is turned on.	<i>boot</i> or <i>2</i>
Halt. Halt at the console prompt (>>>) when system is turned on or following a software halt instruction.	<i>halt</i> or <i>3</i>

Changing the Default Startup Action (auto_action)

Default Setting

The default setting for the `auto_action` environment variable depends on whether your system is preconfigured at the factory with factory-installed software. All preconfigured systems, workstation and server configurations, are set to `BOOT`, all other systems are set to `HALT`.

Command Syntax

To set the `auto_action` environment variable, enter the following command:

```
>>> set auto_action parameter  
[Return]
```

Enter the parameter of your choice from Table 10–2 to set the default startup action.

Command Example

This command sets the default startup action to halt at the console prompt each time your system is turned on. The system responds with a confirmation of the action you have chosen.

```
>>> set auto_action 3 [Return]  
AUTO_ACTION = HALT  
>>>
```

Changing the Default Boot Device (bootdef_dev)



Description The `bootdef_dev` environment variable determines the default boot device, or devices, from which the system attempts to boot. The system boots from the default boot device each time it is turned on (if `auto_action` is set to `boot` or `restart`), or each time the user enters the `boot` command.

Available Settings You can set the `bootdef_dev` environment variable to any appropriate device or devices on your system.

Boot Device Naming Conventions You can specify the boot device name in two ways, using either an OpenVMS- or a DEC OSF/1-style device name. Table 10–3 provides a list of the device naming conventions, which can be used for the boot command in either operating system. For a description of the boot device name elements, see Chapter 9.

Table 10–3 Device Naming Conventions

Device Naming Conventions		
OpenVMS AXP	DEC OSF/1 AXP	Device Type
DK	RZ	Fixed or removable disk
MK	TZ	Tape
ES	ES	Ethernet, MOP protocol
N/A	EZ	Ethernet, BOOTP protocol

Default Setting The default setting for the `bootdef_dev` environment variable is set at the factory to boot from the internal fixed disk drive that has been loaded with factory-installed software.

Changing the Default Boot Device (bootdef_dev)

Command Syntax

To set the `bootdef_dev` environment variable, enter the following command:

```
>>> set bootdef_dev device 
```

Enter the device from which you want your system to boot. If you do not know which devices your system contains, enter the `show device` command as the next section explains.

Listing Available Devices

To see a list of devices installed in your system, issue the `show device` command at the console prompt and press the Return key. The system responds with a display similar to the one shown in Figure 10–1.

Figure 10–1 The show device Display

```
>>> show device 
```

BOOTDEV	ADDR	DEVTYPE	NUMBYTES	RM/FX	WP	DEVNAM	REV
-----	----	-----	-----	-----	--	-----	---
ESA0	08-00-2B-12-00-9C						
DKA0	A/0/0	DISK	1.05GB	FX		RZ26	T368
DKA100	A/1/0	DISK	426.25MB	FX		RZ25	0700
DKA200	A/2/0	DISK	426.25MB	FX		RZ25	0700
DKA300	A/3/0	DISK	426.25MB	FX		RZ25	0700
DKA400	A/4/0	RODISK	RM	WP	RRD42	4.3d
..HostID..	A/7	INITR					
..HostID..	B/7	INITR					

Understanding the show device Display

The `show device` command displays several columns of information. The sample `show device` display indicates that there is one RZ26 with device name DKA0 and three RZ25 devices with device names DKA100, DKA200, and DKA300 installed in the system. For a complete description of the `show device` command, see Chapter 14.

Changing the Default Boot Device (bootdef_dev)

Command Example Using a Device List

You can set the `bootdef_dev` environment variable so that the system tries to boot from a list of devices, rather than from a single device.

To set the `bootdef_dev` environment variable to a list of devices, enter a command similar to the following, substituting your system's boot device names:

```
>>> set bootdef_dev dka100,esa0 
```

In this instance, the system would first try to boot from the drive called `dka100`. If that drive was unavailable, or the boot failed, the system would then try to boot from a remote device across an Ethernet connection (`esa0`).

Changing the Default Diagnostic Startup Mode (diag_quick)



Description

The `diag_quick` environment variable determines the diagnostic test mode. The system enters the diagnostic test mode each time the system is powered on.

Available Settings

You can set the `diag_quick` environment variable to *on* or *off*:

- *on* to perform quick diagnostic tests of TURBOchannel devices
- *off* to perform normal diagnostic tests of TURBOchannel devices

Default Setting

The default setting for the `diag_quick` environment variable is *off*, so that normal diagnostic tests of TURBOchannel devices are performed at each system startup.

Changing the Default Diagnostic Startup Mode (diag_quick)

Command Syntax

To set the `diag_quick` environment variable, enter the following command. The system responds as shown.

```
>>> set diag_quick on   
DIAG_QUICK = ON  
>>>
```

Using the `on` parameter changes the default setting.

Changing the Default Keyboard Language (language)



Description

The `language` environment variable sets the console keyboard layout to one of sixteen available languages. This command is applicable only for a DEC 3000 Model 500 AXP workstation.

Available Settings for language

You can set the `language` environment variable to any of the supported languages.

Default Setting

The default setting for the `language` environment variable is English.

Command Syntax

To set the `language` environment variable, enter the following command:

```
>>> set language 
```

Changing the Default Keyboard Language (language)

Command Example

The system displays a list of languages, each with a designated number. To set the language environment variable to Svenska, for example, you would enter 14 as shown in the example.

```
>>> set language 
0) Dansk                      8) Francais (Suisse Romande)
1) Deutsch                    9) Italiano
2) Deutsch (Schweiz)         10) Nederlands
3) English                    11) Norsk
4) English (British/Irish)   12) Portugues
5) Espanol                   13) Suomi
6) Francais                  14) Svenska
7) Francais (Canadien)      15) Vlaams

3 >>>14 
LANGUAGE = 14
>>>
```

11

Using the Password Security Feature

Chapter Overview

Introduction The DEC 3000 Model 500/500S AXP system password security feature lets you prevent unauthorized personnel from accessing privileged console commands on your workstation or server.

In This Chapter This chapter covers the following topics:

- Before You Can Use This Chapter
- Before You Begin
- Task Overview
- Entering a Password
- Enabling System Security
- Forgetting the Password
- Disabling or Changing the Password

Before You Can Use This Chapter



Important:
Secure Console
Mode

In order to use the password security feature, your system must be in secure console mode, with the secure system jumper inside the system unit enabled. Your DEC 3000 Model 500/500S AXP system is shipped from the factory with this secure system jumper disabled. You must contact your Digital service representative to have the jumper enabled. See Chapter 14 for information on how to contact your Digital service representative.

Note: No
Functionality

Please note that none of the functionality of the password security feature will be available until your system is set to secure console mode. Once your system has been set to secure console mode by your Digital service representative, you can proceed with this chapter.

Before You Begin



What You Should Do First

Before using the password security feature, you should complete the following tasks:

- Put your system in console mode. If your system is not displaying the >>> prompt, refer to Chapter 7 to halt your system.
- Read Chapter 9 and this chapter before continuing.

What You Should Know

Using the password security feature requires an intermediate knowledge of your system, and it is advised that you have some level of software experience. Do not use the password security feature without fully understanding the effect that the change may have on your DEC 3000 Model 500/500S AXP system. Using console commands incorrectly could lock you out of your system. Make sure that you note your password once you have set it.

If you are not sure about using the password security feature, ask your system manager for help.

When to Use the Security Feature

If the password security feature is not enabled, whenever a user enters console mode, he or she can use all of the the privileged console commands, such as `halt`, `set`, `deposit`, and `boot`. By using the password security feature, you can restrict access to these key console mode functions.

Privileged Commands

Once you invoke the password security feature, certain console commands become privileged—you can issue these commands only if you use the password when you enter the `login` command at the console prompt.

In general, any commands that modify memory and registers, or that transfer CPU control from the console monitor to another program, such as `boot` or `start`, are considered privileged commands.

Before You Begin

List of Privileged Commands

Table 11–1 lists both privileged and nonprivileged console commands.

Table 11–1 Console Command Access

Privileged Commands	Nonprivileged Commands
boot (with parameters)	boot (with no parameters)
deposit	login (to allow password entry to the privileged state)
examine	continue (if you inadvertently push the halt button, this command lets you continue operations in a nonprivileged mode)
halt	help
initialize	! (to enter comment text that the system does not act upon)
repeat	–
set	–
show	–
start	–
test	–

Continuing Privileged Access

Access to privileged console commands continues until you leave the console mode by using the boot, continue, halt, or start commands. You can then enter the privileged mode only by using the 16-character password.

Task Overview



Steps to Making the System Secure

Making your DEC 3000 Model 500/500S AXP system secure requires software and hardware tasks. Table 11-2 describes the steps required to secure your system.

Table 11-2 Steps to Making the System Secure

Step	Description
1	Enter a password
2	Enable security
4	Log in to the system

Each of these tasks is described in this chapter.

Entering a Password



Enter a New Password

When your system arrives from the factory, the password security feature is not enabled and no password has been entered in the system. The password you enter must be a character string of exactly 16 hexadecimal characters (0 through 9, A through F). To enter a password on your system, enter the commands shown in Table 11-3, starting at the console prompt.

Entering a Password

Table 11–3 Entering a Password

Enter this command:	System responds...
>>> set password	PSWD1>
PSWD1> <i>new_password</i> <input type="text" value="Return"/>	PSWD2>
PSWD2> <i>new_password</i> <input type="text" value="Return"/>	>>>

As you enter the password, what you type does not display on the screen. If the two passwords you entered match, your password is preserved in nonvolatile memory, which means that the system saves your password value even when the system unit is turned off.

If You Make an Error

If the two passwords you enter do not match, the console aborts the password command and displays the following error message:

```
? 30 ILL PSWD
```

Note Your Password

Be sure to make a note of your password and store it in a secure place. If you forget your console mode password, see *Forgetting the Password* later in this chapter, or call your Digital service representative to regain access to the privileged console mode.

Enabling System Security



Enable Secure Environment Variables

Once you have entered and confirmed your password, you must enable the password security feature by following the steps listed in Table 11–4.

Table 11–4 Enabling System Security

Step	Description
1	<p>Check the current status of the password security feature by entering the <code>show secure</code> command at the console prompt as follows:</p> <pre>>>> show secure <input type="text" value="Return"/></pre> <p>SECURE = OFF</p> <p>A zero response indicates that the password security feature is not enabled.</p>
2	<p>Enable the password security feature with the following command:</p> <pre>>>> set secure on <input type="text" value="Return"/></pre> <p>The system responds with the following display:</p> <pre>SECURE = ON</pre>

Forgetting the Password



Erase the Current Password

If you forget your password, you must complete the steps in Table 11-5 to erase your password and regain access to your system.

Table 11-5 Steps to Access System

Step	Description
1	Make sure the secure system jumper is in the disabled position. See Chapter 14 for information on how to contact your Digital service representative to have him perform this task.
2	Enter the <code>deposit</code> command as explained in the next section.

Entering the deposit Command

To erase the current password, enter the `deposit` command with the exact parameters shown. There is no system response to this `deposit` command.

```
>>> deposit /u/q-n:2 1E0200088 0 Return
```

Once your password is erased, you can enter a new password as explained in the section `Entering a Password` earlier in this chapter.

Disabling or Changing the Password



Disabling the Password

To disable the password security feature, enter the `login` command and your password. Then enter the following command at the console prompt:

```
>>> set secure off
```

The system responds with the following display:

```
SECURE = OFF
```

Changing the Password

To change the password, enter the commands listed in Table 11–6. Note that passwords must be exactly 16 digits in length and use the values 0 through 9 or A through F. Alphanumeric passwords are not accepted as console passwords.

Table 11–6 Entering a Password

Enter this command:	System responds...
>>> set password	PSWD0>
PSWD0> <i>old_password</i> <input type="text" value="Return"/>	PSWD1>
PSWD1> <i>new_password</i> <input type="text" value="Return"/>	PSWD2>
PSWD2> <i>new_password</i> <input type="text" value="Return"/>	>>>

If the two passwords you entered match, your password is changed.

If You Make an Error

If the two passwords you enter do not match, the console aborts the password command and displays the following error message:

```
? 34 ILL PSWD
```

12

Using an Alternate Console

Chapter Overview

Introduction The alternate console feature of your system lets you direct console input and output from a monitor to another device, such as a terminal.

In This Chapter This chapter covers the following topics:

- Before You Begin
- Using the Alternate Console Feature

Before You Begin



What You Should Know Beforehand

If you do not understand the alternate console feature, read the next section, *Using the Alternate Console Feature*, and then return to Table 12–1 to determine the status of your system and where to go next.

Table 12–1 Current System Status

If your system is...	Refer to...
Running the operating system	Chapter 7 to get to the console prompt (>>>).
At the console prompt (>>>)	Step 1: <i>Connect a Terminal or Printer</i> , in this chapter.

Alternate Console/Printer Port Information

The alternate console/printer port is set to the parameter settings listed in Table 12–2. These settings cannot be changed.

Table 12–2 Alternate Console/Printer Port Parameters

Parameter	Setting
Baud rate	9600
Parity	None
Stop bit	1
Bits per character	8

Using the Alternate Console Feature



When to Use an Alternate Console

The alternate console feature lets you direct console output to an output device such as a terminal or a printer. Possible reasons for using an alternate console are these:

- You cannot display output on your monitor because it is not working properly.
- You want to save a hard copy of screen display output. For example, when installing the OpenVMS AXP operating system, you can connect a printer to the alternate console port and direct screen output to that printer to create a printed copy of the installation screens.
- You want to display screen output on a server system that does not include a monitor.

Task Overview

Table 12–3 describes the steps to complete to use the alternate console feature.

Table 12–3 Using the Alternate Console

Step	Procedure
1	Connect a terminal or printer.
2	Change the alternate console switch.
3	Redirect output to an alternate console if you started by displaying console output on a monitor.

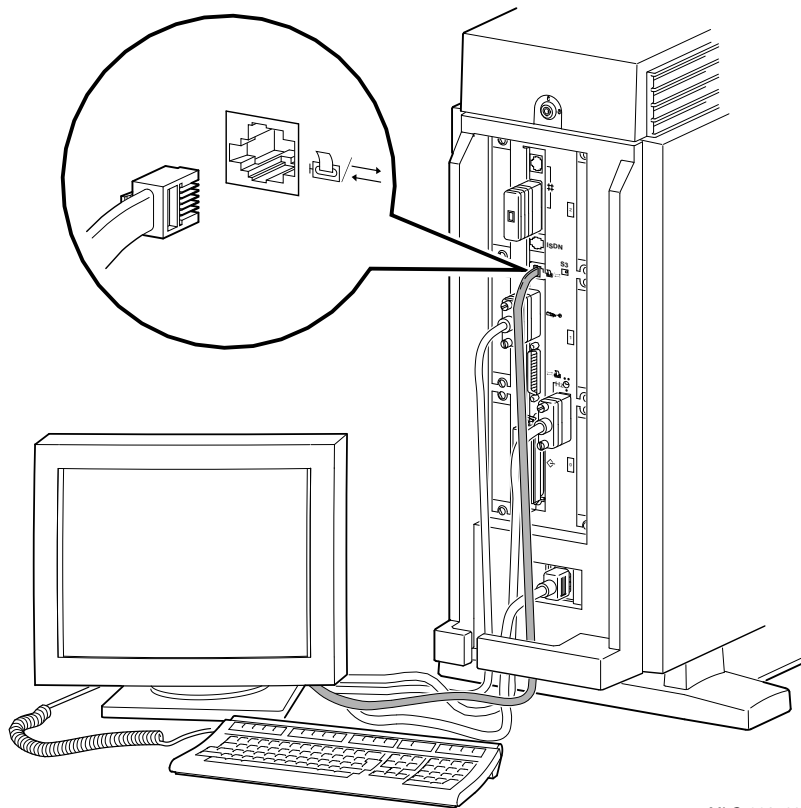
The following sections describe these steps in detail.

Using the Alternate Console Feature

Step 1: Connect a Terminal or Printer

To connect a terminal or printer as an alternate console device, connect the terminal or printer cable to the alternate console/printer port on the system unit as shown in Figure 12-1.

Figure 12-1 Attaching a Device to the Alternate Console/Printer Port



MLO-008593

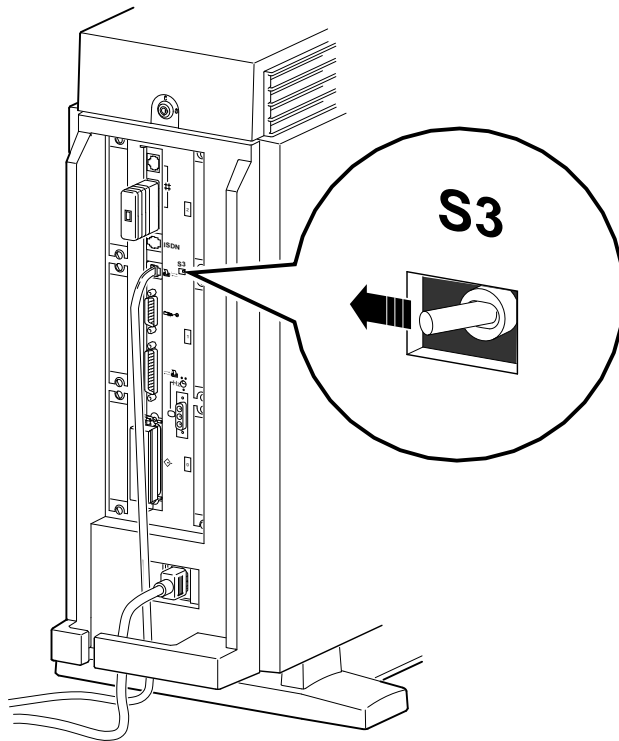
Using the Alternate Console Feature

Step 2: Change the Alternate Console Switch

The alternate console switch on the rear of the system unit directs console output to one of two destinations: a monitor or an alternate console device, such as a terminal or a printer.

To direct console output to a console device, the alternate console switch should be set to the left as shown in Figure 12-2.

Figure 12-2 Changing the Alternate Console Switch



MLO-008573

Using the Alternate Console Feature

Step 3: Redirect Console Output

If you were using a monitor to display console output before you connected an alternate console device, you must restart your system to redirect console output. (Restarting the system is sometimes referred to as power cycling the system.) If you do not restart your system, the console output will not display on the terminal or printer you connected.

Restarting the System

To change console output from the monitor to the alternate console, restart your system as follows:

1. Turn off your system unit by switching the power On/Off switch to the off (O) position. See Figure 7-1 for the location of the power switch.
2. Wait 10 to 15 seconds.
3. Turn on the system unit (by switching the power On/Off switch to the on (|) position).

Look for Display

Console output should now be displayed on the alternate console device.

Part III

Handling Problems

Part III describes how to handle problems with the DEC 3000 Model 500/500S AXP system. This part includes the following chapters:

Chapter	Title
13	Identifying a Problem
14	Running Diagnostic Tests

13

Identifying a Problem

Chapter Overview

Introduction

Though your DEC 3000 Model 500/500S AXP system is a high-quality, thoroughly tested product, it is also an electrical device that may exhibit problems on occasion. If you are experiencing problems with your system, this chapter will help you identify and possibly fix the problem.

In This Chapter

This chapter covers the following topics:

- Before You Begin
- Task Overview
- Determining Type of Problem
- Startup Problems
- Interpreting the show Command Display
- Display Problems
- Daily Operations Problems
- SCSI Device Problems
- Network Problems
- Where to Go Next

Before You Begin



Two Ways to Solve System Problems

There are two ways to solve problems with the DEC 3000 Model 500/500S AXP system:

1. Use the chapters in Part III of this manual to help identify and possibly fix the problem yourself.
2. Contact your Digital service representative to diagnose and fix the problem for you.

Methods to Identify Problems

Table 13–1 lists ways to identify problems, and indicates where each method is described:

Table 13–1 How to Identify a Problem

To identify a problem this way...	Refer to...
Use the troubleshooting tables	This chapter
Run diagnostic tests	Chapter 14

Using the troubleshooting tables in this chapter is the easiest and most direct approach to identifying and correcting a problem with your DEC 3000 Model 500/500S AXP system. Therefore, this is the method with which you should begin.

The diagnostic tests described in Chapter 14 let you test specific devices and provide information on the source of your problem.

Task Overview



Steps to Identifying a Problem

Table 13–2 describes the steps required to identify and possibly fix system problems.

Table 13–2 Steps to Resolving Problems

Step	Description
1	Determine type of problem.
2	Locate problem in troubleshooting tables.
3	Follow suggested actions to resolve problem.
4	If unable to resolve problem, see Chapter 14.

The next sections describe these steps.

Determining Type of Problem



Types of System Problems

The following sections describe various problems and their possible causes, as well as some corrective actions that you can take.

If you cannot isolate the problem, or if the corrective actions do not resolve the problem, see the section [Reporting Problems to Digital Services](#) .

Table 13–3 lists the problems described in the following sections.

Determining Type of Problem

Table 13–3 Type of Problem

This section...	Describes these problems...
Startup Problems	Power indicator light off No startup display Error message in startup display Boot failure
Errors in the show Command	Error in show config Command The show device Command Error in show error Command The show memory Command
Display Problems	Cursor in corner of screen Distorted display on monitor No display on monitor
Daily Operations Problems	Pointer missing from screen Keyboard keys not working
SCSI Device Problems	Internal device not working Software does not boot Diskette device problems
Network Problems	NI error message Unable to boot from network

Startup Problems



Overview

There are many different causes of system startup problems. Locate the problem you are having in the following sections.

Power Indicator Light Off

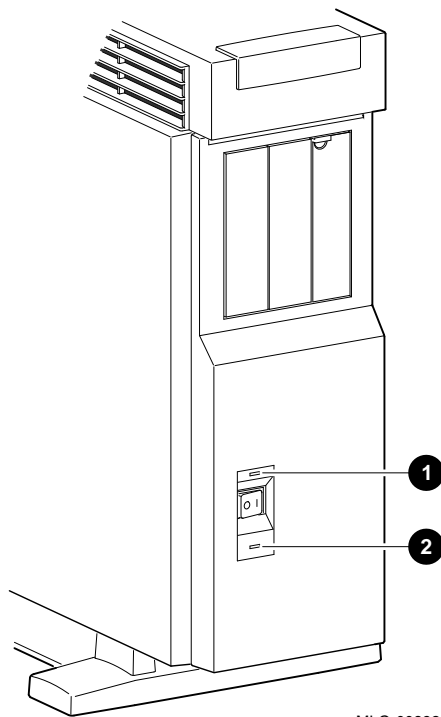
If the power indicator light does not come on when you turn on your system, see Table 13–4. The indicator light ❶ is shown in Figure 13–1.

If the fan failure lights ❷ comes on, you will need to contact your Digital Services representative, as described in Chapter 14.

Table 13–4 Power Indicator Light Failure

Possible Cause	Corrective Action
Power cord is not connected.	Check the power cord connections at both ends.
Wall socket is inoperative.	Try a different wall socket, or try an electrical device that you know works in the wall socket.
Defective power supply.	Contact your Digital service representative.

Figure 13-1 Power Indicator Light



MLO-008922

Startup Problems

No Startup Display

If there is no startup display after one minute when you turn on your system, see the possible causes in Table 13–5.

Table 13–5 Missing Startup Display

Possible Cause	Corrective Action
Monitor is not plugged in.	Plug the monitor power cord into a power outlet of the correct voltage.
Monitor is not turned on.	Turn on the monitor.
Monitor brightness and contrast controls are too dark to see the screen display.	Adjust the monitor brightness and contrast controls. Verify that the monitor power switch is on.
Monitor cable or video cable is not connected.	Check that the monitor cable and video cable are plugged in at both ends. (See Chapter 3 for installation instructions.)
Monitor fuse is blown.	See the monitor guide for fuse replacement instructions.
Wall socket may not be operative.	Try a different wall socket, or try an electrical device that you know works in the wall socket.

Error in Startup Display

After the system startup messages, you may see an error message rather than the System power up OK message. Figure 13–2 shows a startup display with an error message.

Figure 13–2 Startup Display with Error

```

DEC 3000 - M500
Digital Equipment Corporation
System conducting power up tests.
-----
Devnam      Devstat
-----
CPU         OK KN15-AA - V2.x-S080-I060 - DECchip 21064 P3.0
ASIC        OK
MEM         OK 128MB
NVR         OK
CXT         OK
SCC         ?? 003 0050 ptr(0) = Not Present keybd(2) = Not Present
NI          OK Ethernet Address: 08-00-2B-1D-1E-EF
SCSI        OK
ISDN        OK
TC0         OK
-----
System power up tests detected error(s).
See your system documentation for more information.

>>>

```

Whenever errors are detected, a line on the system startup display begins with two question marks, followed by a message.

Common Startup Errors

There are many reasons for startup errors. When you first install your system, one of the most common causes of startup errors is loose cable connections. Table 13–6 provides the device components likely to have loose connections.

Startup Problems

Table 13–6 Startup Error Codes

If ?? appears next to this component...	This item may be loose or missing...
NI	Ethernet loopback connector or cable
SCC	Keyboard/mouse cable to keyboard/mouse port
SCC	Keyboard or mouse to keyboard/mouse connector block

If an error indicator appears next to one of the Devnam items listed above, check the appropriate cable or connector to make sure it is connected securely. Instructions on how to complete workstation and server connections are described in Chapter 3 and Chapter 4, respectively.

If the cables or connectors are not loose, or an error indicator appears next to other items in the Devnam column, refer to Chapter 14, which explains how to run diagnostic tests.

Boot Failure

If your system does not boot the operating system after completing system startup tests, see Table 13–7.

Table 13–7 Startup Without Booting

Possible Cause	Corrective Action
The default startup action environment variable is set to halt at the console.	Change default startup action as Chapter 10 describes.
Software is not installed.	Install the system software. Refer to the software documentation for installation instructions.
Incorrect boot device was specified.	Change the default boot device (<code>bootdef_dev</code>) environment variable, explained in Chapter 10.
Boot device is not properly configured.	Enter a <code>show device</code> command as described in the next section, and check to see that all devices are configured properly. If not, check the SCSI ID numbers and SCSI cables, also described in that chapter.
The <code>scsi_reset</code> variable is not properly set.	Set <code>scsi_reset</code> to 4 to allow the SCSI devices enough time to recover from a SCSI bus reset.
The <code>boot_reset</code> variable is not properly set.	Set <code>boot_reset</code> to ON so that firmware will initialize the kernel hardware and any TURBOchannel devices.
Software problem.	Check your operating system documentation for information or call your Digital service representative.

Interpreting the show Command Display



Overview

Your system includes various elements: components, memory modules, and optional devices. The `show console` commands test your system and display the status of these elements. Table 13–8 lists some of the `show console` commands and the information each provides:

Table 13–8 Information Provided by the show Console Commands

This command...	Lists the status of...
<code>show config</code>	System components
<code>show device</code>	The Ethernet interface and any optional devices, such as SCSI internal disk drives
<code>show error</code>	Any errors detected on your system
<code>show memory</code>	All memory modules

Each of these commands is described in the following sections.

Error in show config Display

The `show config` command tests and displays information about system components and memory modules. The command also indicates whether errors were detected during the diagnostic test.

Interpreting the show Command Display

show config Error Display

Figure 13–3 shows a show config command display that includes an error.

Figure 13–3 Configuration Display with Error

```
>>>show config Return
```

```
DEC 3000 - M500
Digital Equipment Corporation
VPP PAL X4.18-82000101 - Built on 10-MAR-1992 00:00:00.00

TCINFO      DEVNAM      DEVSTAT
-----      -
              CPU      OK KN15-AA-V1.x-S086-IO62-DECchip 21064 P3.0
              ASIC      OK
              MEM      OK
8
              CXT      OK
7
              NVR      OK
              SCC      ? 60
              NI       OK
              ISDN     OK
6
              SCSI     OK
1-PMAGB-BA   TC1        OK

>>>
```

Interpreting the show Command Display

Elements in the show config Display

The `show config` command displays three columns of information described in Table 13–9.

Table 13–9 The show config Display Described

Display Heading	Description
TCINFO	TURBOchannel device information. Information next to the TCx component indicates which TURBOchannel option is installed and the slot number it occupies.
DEVNAM	Name of system component or module.
DEVSTAT	Status of system component or module.

Interpreting the show config Display

If no errors are detected when you enter a `show config` command, you will see the message OK next to each device name. If an error is detected for one or more system components, a question mark (?) error indicator will be displayed in the DEVSTAT column next to the corresponding device name.

If you see an error indicator next to any device name, as shown in Figure 13–3, note the error number and the DEVNAM on the Handling Problems worksheet at the end of Chapter 14. If you wish, you can test the device that shows an error in the `show config` display by following the instructions in Chapter 14.

Interpreting the show Command Display

The show device Display

The `show device` command provides a list of all installed devices on your system, including information about the type of device, its write/read capabilities, its capacity, and the device name.

Figure 13-4 shows an example of a `show device` command display.

Figure 13-4 The show device Display

```
>>>show device Return
BOOTDEV  ADDR      DEVTYPE      NUMBYTES      RM/FX  WP  DEVNAM  REV
-----  ----      -
ESA0     08-00-2B-12-00-9C , THICK
DKA0     A/0/0     DISK         1.05GB        FX           RZ26   T368
DKA100   A/1/0     DISK         426.25MB      FX           RZ25   0700
DKA200   A/2/0     DISK         426.25MB      FX           RZ25   0700
DKA300   A/3/0     DISK         426.25MB      FX           RZ25   0700
DKA400   A/4/0     RODISK       .....        RM          WP  RRD42   4.3d
..HostID.. A/6     INTR
..HostID.. B/6     INTR
```

While the `show device` display does not indicate the status of a device, it can be used for troubleshooting problems that may occur due to duplicate SCSI device ID numbers.

Interpreting the show Command Display

Elements in the show device Display

The `show device` command displays eight columns of information described in Table 13–10.

Table 13–10 The show device Display Described

Display Heading	Description
BOOTDEV	The boot device name. In this example, the boot device name of the RRD42 compact disc drive is DKA400. Boot device names for disk drives also indicate the SCSI bus and ID number—DKA400 indicates that the RRD42 disc drive is connected to the SCSI_A bus, and that the SCSI ID number is 4.
ADDR	The internal address of the device. For SCSI devices, indicates the SCSI bus and SCSI ID number.
DEVTYPE	The type of device. DISK indicates a disk drive, and RO indicates a Read-Only device, such as an RRD42 compact disc drive.
NUMBYTES	The disk drive capacity in megabytes.
RM/FX	Type of drive—RM indicates removable, and FX indicates fixed.
WP	Write protection indicator—if WP appears, the drive is write-protected.
DEVNAM	Device name. This column usually lists the Digital product name of the drive, such as the RZ25 disk drive.
REV	The revision number of the disk drive's firmware.

Interpreting the show device Display

The information presented in the `show device` display should correspond to the devices that are installed in your system. For instance, if you install a new drive in your system, that drive should be listed on the `show device` display after you complete the installation instructions. If you inadvertently used a SCSI ID number for the new drive that was already in use, the new drive would not be listed when you issue the `show device` command.

For more information about SCSI ID numbers, see the next section.

You can also use the `show device` command to determine device names when setting the `bootdef_dev` environment variable. Chapter 10 describes how to set and change environment variables.

Understanding SCSI ID Numbers

Your DEC 3000 Model 500/500S AXP system contains SCSI devices, and allows you to add SCSI devices. Each SCSI device has an ID number (from 0 to 7) that must be unique within your system.

A common error is to add a SCSI device with an ID number that is already being used by another device in your system. Since this error does not produce an error message, you must determine whether there are duplicate numbers yourself.

Do not set any of the SCSI device ID numbers to 7. This number is used for the SCSI controller on the system.

Determining Duplicate SCSI ID Numbers

To see whether two SCSI devices have the same ID number, perform the following steps:

1. Use the `show device` command to see which devices are installed in your system.
2. Record which SCSI ID number is assigned to each device.
3. See if the list of devices that your system displays matches the number of devices that are actually installed or attached to your system.

If the system list does not correspond with the number of devices actually installed, one of the devices may have a duplicate SCSI ID. If no SCSI ID numbers are duplicated, you will see the new device with a new SCSI ID number on the `show device` display.

Interpreting the show Command Display

The show error Command

The `show error` command displays specific information about any error that is occurring within your DEC 3000 Model 500/500S AXP system.

Table 13–11 lists the devices that the `show error` command provides information about.

Table 13–11 System Device Errors

Test Name	Device Tested
ASIC	Application-specific integrated circuit
MEM	Memory
NVR	Non-volatile RAM
CXT	Integral two-dimensional graphics
SCC	Serial communications controller
NI	Network interface (Ethernet)
SCSI	SCSI device(s)
ISDN ¹	79C30A AMD chip
TC n	TURBOchannel options, where n is the number of the TURBOchannel device you wish to test

¹Running ISDN diagnostic tests also tests the audio port

Error information about TURBOchannel devices is not displayed by the `show error` command. Refer to the *DEC 3000 Model 500/500S AXP Service Guide* for error information on TURBOchannel devices.

The show error Display

Figure 13–5 shows an example of a `show error` command indicating a device that is failing.

Figure 13–5 The show error Display

```
>>>show error Return
? 003    SCC  0x0050
  ? T-ERR-SCC-LK401 - 0 char rcvd
    T-ST5-SCC-LK401 - char = 700
```

Elements in the show error Display

If any errors are detected, the `show error` command displays an error message, described in Table 13–12.

Table 13–12 Error Message Elements

Error Message Element	Description
?	Error message indicator.
003	Field Replaceable Unit (FRU) number. The FRU is a Digital number allocated to a component or module in your system.
SCC	The name of the diagnostic test that detected an error.
0x0050	The error number in hexadecimal format.

For a complete list of FRU numbers and diagnostic test error numbers, see the *DEC 3000 Model 500/500S AXP Service Guide*.

Interpreting the show error Display

In addition to displaying an error message, the `show error` display also indicates test status messages, such as the message T-ERR-SCC-LK401 shown in Figure 13–5. Information about interpreting these messages is beyond the scope of this document. If you are contacting Digital Services, record the test status message(s) on the Handling Problems Worksheet at the end of Chapter 14.

Interpreting the show Command Display

The show memory Command

The `show memory` command displays information about all of the memory in your system. This command lists a line of information about each memory bank. Note that the display will not indicate an error found in memory. You can only display memory errors using the `show error` or the `test mem` command. The test commands are described in Chapter 14.

The show memory Display

Figure 13–6 shows an example of a `show mem` command display.

Figure 13–6 The show memory Display

```
>>> show memory

DEC 3000 - M500 Memory: 128 Mbytes
-----
BANK #      MEMORY_SIZE      START_ADDRESS
-----
0           032 Mbytes      0x00000000
1           032 Mbytes      0x02000000
2           032 Mbytes      0x04000000
3           032 Mbytes      0x06000000
4           000 Mbytes      0x00000000
5           000 Mbytes      0x00000000
6           000 Mbytes      0x00000000
7           000 Mbytes      0x00000000

>>>
```

Elements in the show memory Display

Figure 13–6 indicates that memory banks 0, 1, 2, and 3 each have 32 megabytes of memory. Memory banks 4, 5, 6, and 7 are not in use on this system.

Display Problems



Overview

If there appears to be some problem with your monitor display, try to locate the problem in this section.

Cursor in Corner of Screen

If your monitor displays diagnostic startup tests when you turn on your system, but then displays only the cursor in the lower left-hand corner of the screen (rather than displaying the system startup test information), the alternate console switch is in the wrong position.

Corrective Action

Locate the alternate console switch, on the rear of the system unit. Refer to Figure 12–2 to see the switch position. If the switch is set to the left, it is incorrect for a workstation.

Complete these steps to change the switch position:

1. Turn off the system unit (power switch to the O position).
2. Move the alternate console switch to the right. Use a small pointed object to set the switch, but do not use a pencil; the graphite will damage the switch. See Chapter 12 for more information.
3. Turn on the system unit (power switch to the | position).

Display Problems

Distorted Display on Monitor

If your monitor is displaying information but appears distorted or unclear, see the possible causes in Table 13–13.

Table 13–13 Monitor Display Problems

Possible Cause	Corrective Action
If your monitor has a total of six connectors, marked Video In and Video Out, the monitor video cable may be connected to the Video Out ports.	Turn the monitor power switch to the off (O) position. Unscrew the video monitor cable from the Video Out ports and connect them instead to the Video In ports. See Table 3–3 for more information. Turn the monitor power switch to the on () position.
Video refresh switch may be set to the wrong position.	Switch the video refresh switch to the up, or two-dot position for 72 Hz monitors, and to the down, or one-dot position for 66 Hz monitors. Refer to your monitor documentation for your monitor's Hz rating.

No Display on Monitor

If your monitor does not display information after system startup, see Table 13–14.

Table 13–14 Monitor Display Problems

Possible Cause	Corrective Action
Monitor is not plugged in.	Plug the monitor power cord into a power outlet of the correct voltage.
Monitor is not turned on.	Check the monitor on/off switch. Check that the monitor power cord is connected at both ends.
Contrast and brightness controls are too dark to see the screen display.	Adjust the contrast and brightness controls. Refer to the monitor guide for more information.
System board or graphics board failure.	Refer to Chapter 14 for information on running diagnostic tests.
Monitor cable or video cable is not connected.	Check that the monitor cable and video cable are connected at both ends.
Monitor fuse is blown.	See your monitor guide for fuse replacement instructions.
Defective monitor.	Contact your Digital service representative.

Daily Operations Problems



Overview

The problems described in the next sections can occur during normal day-to-day operations.

Pointer Missing from Screen

If the mouse or optional tablet pointer does not appear on the screen, or if the monitor does not respond to your pointing device commands, see Table 13–15.

Table 13–15 Mouse Problems

Possible Cause	Corrective Action
Pointing device cable is installed incorrectly or is loose.	Turn off the system unit. Unplug and then replug the keyboard/mouse connector block as Chapter 3 describes. Turn on the system unit again.
The system is in console mode. No pointer appears on the screen.	Change the system to operating system level by entering <code>boot</code> at the console prompt (<code>>>></code>).
Faulty pointing device.	Replace the pointing device.

Keyboard Keys Not Working

If you are having trouble with the keys on your keyboard, see Table 13–16.

Table 13–16 Keyboard Problems

Possible Cause	Corrective Action
Hold Screen key is active.	If the Hold screen light is on, press the Hold Screen key to release hold on screen.
Keyboard cable is loose or not connected.	Check the keyboard cable at both ends.
Keyboard has failed.	Replace the keyboard. If the problem persists, contact your Digital service representative.

SCSI Device Problems



Overview

If you are having trouble with a SCSI device, such as an internal disk drive, or a tape drive in an expansion box, locate the problem in the next sections. For specific information about your SCSI device, refer to the documentation that was shipped with your system, or in the case of an option, with the option kit.

Internal Device Not Working

If you are having problems with an installed disk drive, see Table 13–17. Do not set any of the SCSI device ID numbers to 7. This number is used for the SCSI controller on the system.

Table 13–17 Installed Disk Drive Problems

Possible Cause	Corrective Action
Two SCSI identifiers are set to the same number.	Enter the show device command as described earlier in this chapter. If a drive is not recognized, reset each SCSI ID to a unique number. (See the previous section on Understanding SCSI ID Numbers, or refer to the <i>DEC 3000 Model 500/500S AXP Options Guide</i> for more information on setting SCSI IDs for optional devices.)
Loose cables.	Check to make sure all cables are connected.
Defective drive.	Refer to Chapter 14 for information on running diagnostic tests.

SCSI Device Problems

Software on Disk Drive Does Not Boot

If you know that the operating system is installed on the installed disk drive, but you cannot boot the operating system software, see Table 13–18.

Table 13–18 Installed Software Problems

Possible Cause	Corrective Action
Default boot device is set incorrectly.	See Chapter 10 to set or change the default boot device.
Default startup action may be set to halt.	See Chapter 10 to change the default startup action.
System startup command procedure was modified incorrectly.	Refer to your operating system documentation for help.
A problem exists with the fixed disk.	Refer to Chapter 14 for information on running diagnostic tests.
A problem exists with the operating system software (if installed) on the fixed disk.	Refer to your operating system software documentation for help.
The <code>scsi_reset</code> variable is not properly set.	Set <code>scsi_reset</code> to 4 to allow the SCSI devices enough time to recover from a SCSI bus reset.
The <code>boot_reset</code> variable is not properly set.	Set <code>boot_reset</code> to ON so that firmware will initialize the kernel hardware and any TURBOchannel devices.
Incorrect SYSGEN parameters for OpenVMS AXP operating system.	Perform conversational or minimum boot. Refer to your OpenVMS AXP operating system documentation listed in Table 6–5.

**Unable to
Access
Diskette Drive**

If you are having problems with software installed on a diskette, or the system is displaying disk read or write errors, see Table 13–19.

Table 13–19 Software on Diskette Problems

Possible Cause	Corrective Action
No diskette is in the diskette drive.	Insert a software diskette. Use the instructions in your software documentation.
Diskette was inserted incorrectly.	Check that the write-protect notch on the diskette is to your left when you insert the diskette and that the label is up.
Diskette is damaged or does not contain software.	Try another diskette that contains software.
Two SCSI identifiers are set to the same number.	Reset each SCSI ID to a unique number. (See the previous section on Understanding SCSI ID Numbers, or refer to <i>DEC 3000 Model 500/500S AXP Options Guide</i> for information on setting SCSI IDs.)

Network Problems



Overview

If you are having trouble with your network, locate the problem in this section.

NI Error Message in Screen Displays

If an error message is displayed next to the identifier “NI” in the device name column in the startup display or when verifying or testing the Ethernet connection, see Table 13–20.

Table 13–20 Resolving NI Errors

Possible Cause	Corrective Action
No Ethernet loopback connector or cable was installed.	Attach the Ethernet loopback terminator shipped with your system. See Figure 3–2 or Figure 4–2.
Terminator is missing from network.	Check to see if a ThinWire cable was removed. If so, replace the cable with a terminator.
Ethernet cable connection is loose.	Check that all connections on the Ethernet segment are secure.
Incorrect network type.	Use the <code>set ethernet</code> command described in Chapter 5 to make sure that the Ethernet type is set correctly.

Unable to Boot from Network

If you are unable to boot from the network, but there is no error message on the system startup display, see Table 13–21.

Table 13–21 Problems When Booting from the Network

Possible Cause	Corrective Action
Local network problem.	Problem is most likely caused by the customer server system or the network.
Defective network interface.	Refer to Chapter 14 for information on running diagnostic tests.

After Solving an NI Problem

After solving a network problem, type `test ni` and press the Return key to run the Ethernet test again. This either clears the error or displays a message to let you know the problem still exists.

Where to Go Next
Determine Your Next Task

If you were unable to resolve your problem using the information in this chapter, contact Digital Services (instructions are provided in Chapter 14), or run system tests, also described in that chapter.

14

Running Diagnostic Tests

Chapter Overview

Introduction This chapter contains information about running diagnostic tests and contacting Digital Services. Diagnostic tests can help you identify the specific part or module that is causing errors in your system.

In This Chapter This chapter covers the following topics:

- Before You Begin
- Task Overview
- Running Diagnostic Tests
- Recording the Diagnostic Display Light Pattern
- Reporting Problems to Digital Services
- Handling Problems Worksheet

Before You Begin



Purpose of Tests

If you cannot locate and/or resolve the system problem using the troubleshooting tables in Chapter 13, you can run diagnostic tests. Diagnostic tests can help to identify the source of a problem and provide specific information to present to your Digital service representative over the telephone.

Your Digital service representative may also request that you run diagnostic tests.

What You Should Have Done Already

Before running diagnostic tests on your system to identify a defective component or module, you should have already completed these tasks:

- Put your DEC 3000 Model 500/500S AXP system in console mode. (See Chapter 7.)
- Tried to locate and resolve the problem with the information in Chapter 13.
- Used the `show` commands to determine the system component or device with an error. (See Chapter 13.)

If you have not completed any of these tasks, please refer to the relevant section in this guide.

Task Overview



Steps to Running Diagnostic Tests

Table 14–1 summarizes the steps to perform when running diagnostic tests in order to identify or resolve a system problem.

Table 14–1 Steps to Diagnostic Tests

Step	Procedure
1	Run the diagnostic test on the component, module or device that is causing an error.
2	Note the diagnostic test results.
3	Record the diagnostic display lights pattern.
4	Contact your Digital service representative.
5	Connect loopback connectors if necessary.

These steps are described in detail in the following sections.

Running Diagnostic Tests



Diagnostic Tests

If an error message is displayed next to a device name when you issue one of the `show` commands described in Chapter 13, you can test the device listed in the error message by using the `test` command.

Using this command, you can run a number of diagnostic tests to help you determine the status of a system module or device.

List of Device Tests

Table 14–2 provides a list of the available diagnostic tests and indicates whether the tests require a loopback connector. The tests are listed by the name of the device they test. Refer to Figure 3–2 to see how to connect the Ethernet loopback connector.

Table 14–2 Diagnostic Tests

Device Name	Device Tested	Loopback Required
ASIC	Application-specific integrated circuit	No
MEM	Memory	No
NVR	Non-volatile RAM	No
CXT	Integral two-dimensional graphics	No
SCC	Serial communications controller	No
NI	Network interface (Ethernet)	Yes
SCSI	SCSI device(s)	No
ISDN ¹	79C30A AMD chip	No
TC <i>n</i>	TURBOchannel options, where <i>n</i> is the number of the TURBOchannel device you wish to test	No

¹Running ISDN diagnostic tests also tests the audio port

Using the test Command

Depending on the way you enter the test command, you can run a single test or multiple tests on a component.

Single Test Syntax

Use the following syntax to run a single test:

```
>>> test device_name 
```

where *device_name* is one of the device names listed in Table 14-2.

Multiple Test Syntax

Use the following syntax to run multiple tests:

```
>>> test device_name1:device_name2 
```

where *device_name1* is the device you want to start with, and *device_name2* is the last device you want to test. The diagnostic tests are run in the same order as the list of device name tests in Table 14-2.

Example Diagnostic Test

One diagnostic test is the SCC test, which tests the communication devices attached to your system unit, such as the keyboard and mouse. Figure 14-1 shows an example of an SCC test display.

Figure 14-1 SCC Diagnostic Test Display

```
>>> test scc   
T-ST5-SCC-OK  
>>>
```

Running Diagnostic Tests

Example Diagnostic Test with Error

If a diagnostic test fails, a display similar to the one shown in Figure 14–2 appears, containing information important to helping you determine the source of the problem.

Figure 14–2 SCC Test Display with Error

```
>>> test scc
? T-ERR-SCC-MOUSE - 0 char rcvd
?? 004          SCC 0x0060

    84 FAIL
>>>
```

Understanding the test Command Display

In the previous example, the SCC test failed during testing of the mouse line. This means that the mouse is not being seen by the system. Check the mouse connector to make sure that it is properly connected to the mouse/keyboard connector. If it is properly seated, you may have a defective mouse. Contact your Digital service representative, as described in Chapter 13.

Initializing Your System

After you have run a test, you should use the following command to initialize your system to clear the error log from the system register. Figure 14–3 shows an example of the `init` command.

Figure 14–3 Initializing Your System

```
>>> init 
INIT-S-CPU...
INIT-S-RESET_TC...
INIT-S-ASIC...
INIT-S-MEMO...
INIT-S-NVR...
INIT-S-CXT...
INIT-S-SCC...
INIT-S-NI...
INIT-S-SCSI...
INIT-S-ISDN...

>>>
```

If the problem with your system has been fixed, after you initialize your system, you should be able to issue the `show config` command and not see any errors listed in the screen display.

Note: Another Way to Initialize Your System

You can also initialize your system after running diagnostic tests by running the same test again. If the problem has been fixed, the test, which failed before, will complete successfully.

Figure 14–4 shows a sample display of a successful SCC test.

Figure 14–4 Initializing the System with the SCC Test

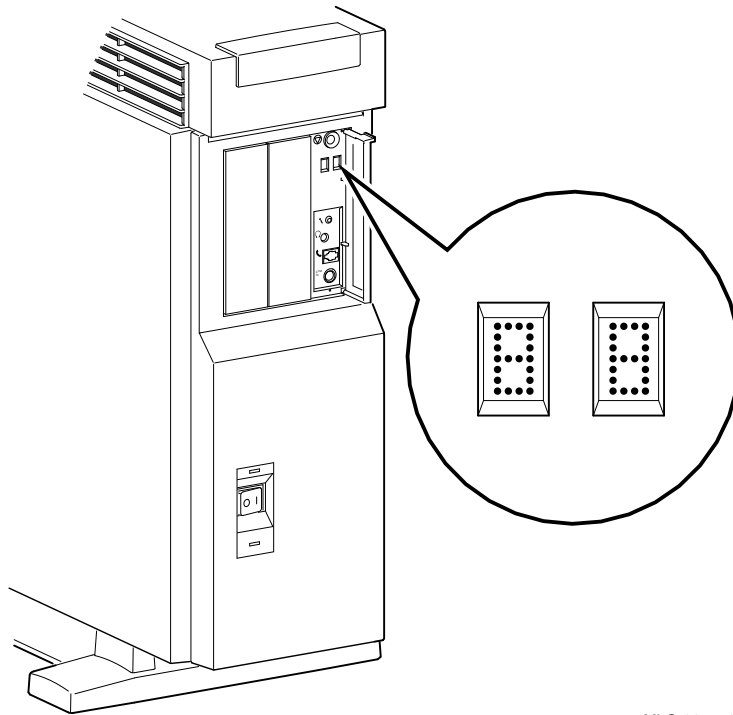
```
>>> test scc
T-STC-SCC-OK
>>>
```

Recording the Diagnostic Display Light Pattern

Diagnostic Display Lights Location

On the front of the system unit, there are two diagnostic display lights, as shown in Figure 14–5.

Figure 14–5 Position of Diagnostic Display Lights



MLO-007570

The diagnostic display lights can provide your Digital service representative with important information in determining the source of a problem.

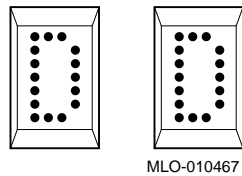
Recording the Diagnostic Display Light Pattern

Understanding the Diagnostic Lights

During system startup, the diagnostic display lights flash on an array of different numbers and letters as the system startup tests are performed. The numbers on the display are not random. They represent the hexadecimal number of a test action or result.

For instance, when the startup tests are completed successfully and your system is in console mode, the diagnostic display lights display the hexadecimal code DD, as shown in Figure 14–6.

Figure 14–6 Console Mode Diagnostic Lights



When your system is in program mode, the diagnostic display lights display the hexadecimal code 00.

When to Record the Diagnostic Display Lights

If a problem is detected during system startup or when you run diagnostic tests, you should record the diagnostic display light pattern on the appropriate section of the Handling Problems Worksheet at the end of this chapter.

Be sure to note when the display occurred, for instance, during startup or after entering the `show config` command.

Reporting Problems to Digital Services



How to Continue

If you are able to locate the source of the system problem, run a test, and initialize the system, but are still having problems with your DEC 3000 Model 500/500S AXP system, you should contact your Digital service representative.

Digital Support Centers

Digital service representatives are available at Digital support centers for on-site warranty and service contract customers. If you are not currently eligible to receive this support, but wish to, please contact either a Digital support center listed in Table 14-3, or your local Digital office.

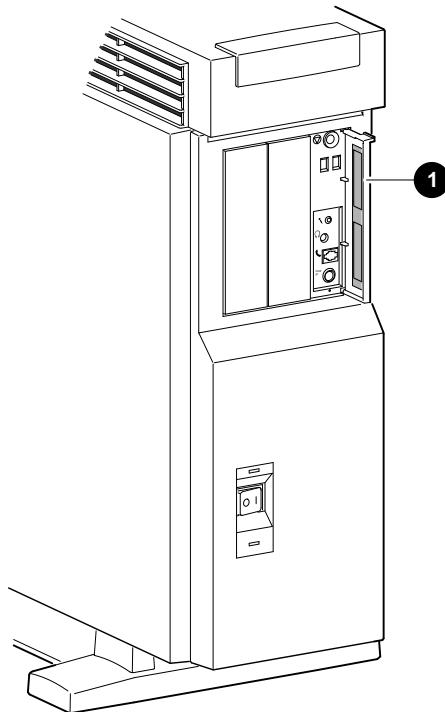
How to Report Problems

If you are unable to locate the problem from the descriptions in the previous sections of this chapter, or the corrective actions suggested could not resolve the problem, you need to contact your Digital service representative. Before calling your Digital service representative to report a problem, complete these steps.

1. Write down the the model and serial number **❶** of your system on the Handling Problems Worksheet at the end of this chapter.

Both of these numbers are located on a label on the front door of the system unit, as indicated in Figure 14-7. Your Digital service representative will need this information when you call.

Figure 14–7 Serial and Model Numbers



MLO-008571

2. Fill in the status checklist on the Handling Problems Worksheet at the end of this chapter.
3. Note the problem, possible causes if you know them, and solutions suggested in the previous sections. Also indicate what actions (if any) you have already taken to try to correct the problem.
4. Be prepared to read information from the screen and to enter commands at the keyboard while you talk to your Digital service representative on the telephone.

Reporting Problems to Digital Services

Digital Support Center Contact Numbers

Table 14–3 lists the telephone numbers for contacting a Digital service representative at your Digital support center.

If a Digital support center for your area is not listed below, please contact your local Digital office for assistance.

Table 14–3 Telephone Numbers of Digital Support Centers

Country	Telephone Number
United States	1-800-354-9000
Canada	1-800-267-5251
Canada (Quebec)	1-800-267-2603
United Kingdom	[44]256 59200
France	[33]92955111
Germany	[49]-(89)-95913218

Installing Loopback Connectors

Your Digital service representative may ask you to install one or more of the following loopback connectors that were shipped with your system:

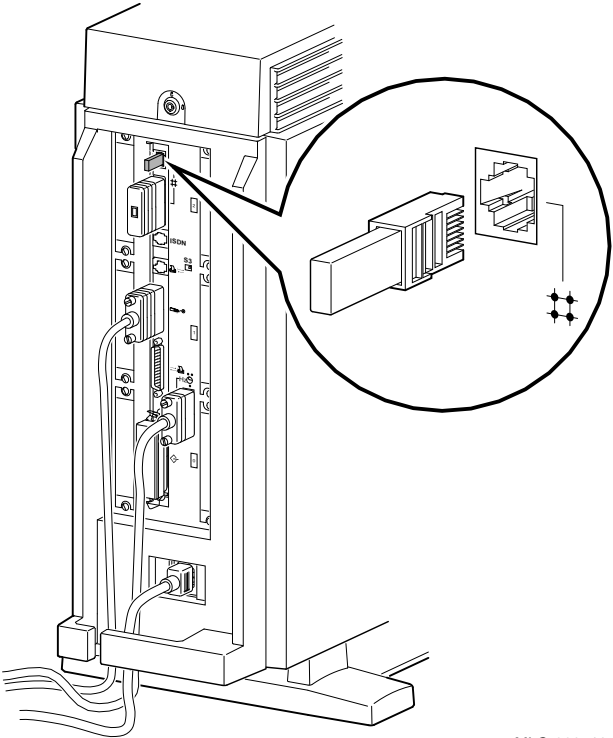
- 10BASE-T loopback connector
- Alternate console/printer port loopback connector
- Modem loopback connector

While your Digital service representative will provide verbal instructions, the following diagrams indicate where these loopback connectors should be attached to your system unit.

**10BASE-T
Loopback
Connector**

If your Digital service representative requests that you connect the 10BASE-T loopback connector, connect it as shown in Figure 14-8.

Figure 14-8 Connecting the 10BASE-T Loopback Connector



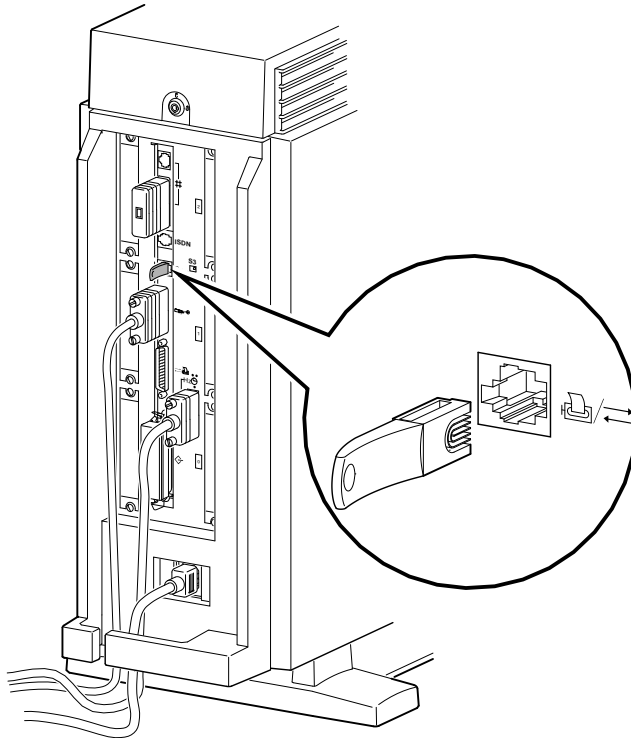
MLO-009713

Reporting Problems to Digital Services

Alternate Console/Printer Loopback Connector

If your Digital service representative requests that you connect the alternate console/printer loopback connector, connect it as shown in Figure 14–9.

Figure 14–9 Connecting the Alternate Console/Printer Loopback Connector

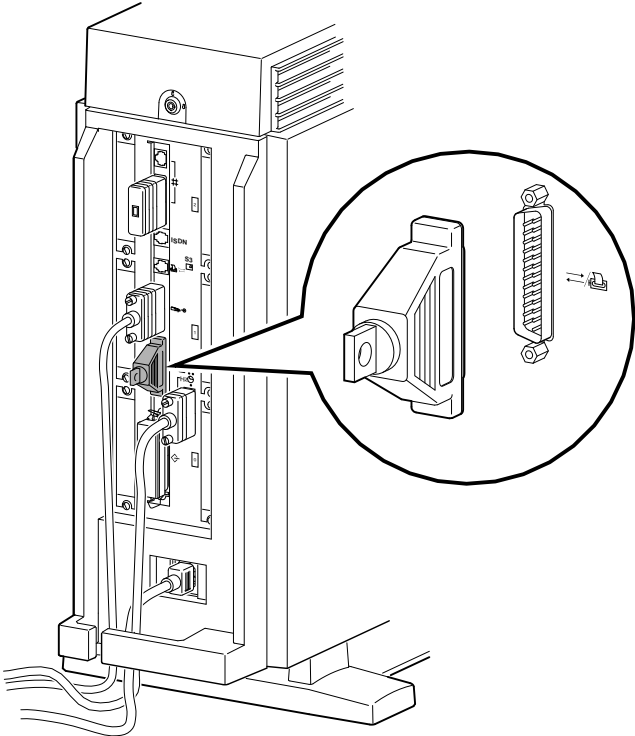


MLO-009413

Modem Loopback Connector

If your Digital service representative requests that you connect the modem loopback connector, connect it as shown in Figure 14–10.

Figure 14–10 Connecting the Modem Loopback Connector



MLO-009418

Handling Problems Worksheet



Taking Notes

Use the worksheet on the next page to record system information. After you have recorded all system information indicated on the worksheet, have the sheet available when you call your Digital service representative.

Handling Problems Worksheet

DEC 3000 AXP
Handling Problems Worksheet

DEC service representative telephone number: _____

Model (circle one): 500 500S Serial #: _____

System Status (indicate which applies):

Item:	Yes	No
System plugged into outlet	_____	_____
Power indicator light lit	_____	_____
Diagnostic display lights lit*	_____	_____
Monitor power light lit	_____	_____
Keyboard working	_____	_____
Mouse working	_____	_____
Console prompt appears	_____	_____
Startup error message displayed	_____	_____
Operating system boots	_____	_____
Software is frozen	_____	_____

*Indicate diagnostic display lights here:

--	--

Diagnostic test screen display:

Actions taken so far:

Additional notes:

MLO-009875

Part IV

Appendixes

Part IV provides technical and other information about your system. This section includes the following appendixes:

Appendix	Title
A	Hardware Specifications
B	Port Pin-outs
C	European Economic Community (EEC) Considerations
D	Associated Documents
E	Special Information for PTT Network Users

A

Hardware Specifications

Appendix Overview

Introduction

This appendix lists the hardware specifications for your DEC 3000 Model 500/500S AXP system.

In This Appendix

This appendix covers the following topics:

- System Unit Dimensions: Pedestal, Table A-1.
- System Unit Dimensions: Rackmount, Table A-2.
- System Electrical Specifications, Table A-3.
- General System Specifications, Table A-4.
- Environmental Limitations, Table A-5.

System Specifications

System Unit Dimensions: Pedestal

Table A-1 lists the dimensions of the DEC 3000 Model 500/500S AXP pedestal system.

Table A-1 System Unit Dimensions: Pedestal

Weight	Height	Width	Depth
34.92–42.18 kg (77–93 lb)	62.74 cm (24.7 in)	33.66 cm (13.25 in)	75.44 cm (29.7 in)

System Unit Dimensions: Rackmount

Table A-2 lists the dimensions of the DEC 3000 Model 500/500S AXP rackmount system.

Table A-2 System Unit Dimensions: Rackmount

Weight	Height	Width	Depth
29.48 kg (65 lb)	44.45 cm (17.5 in)	21.34 cm (8.4 in)	68.58 cm (27 in)

System Electrical Specifications

Table A-3 lists the electrical specifications for the DEC 3000 Model 500/500S AXP system.

Table A-3 System Electrical Specifications

Input voltage	Automatically adjusting AC input from 100–120 VAC to 220–240 VAC
Amperage	10/5 A
Frequency range	50 to 60 Hz
Power	400 \approx 686 watts input maximum, system only, power factor 0.6 maximum

General System Specifications

Table A-4 lists specifications of the DEC 3000 Model 500/500S AXP system components.

Table A-4 General System Specifications

Processor	DECchip 21064 CMOS-4 KN15 Alpha microprocessor, with 8 KB data cache, 8 KB instruction cache and floating-point unit, running at 150 MHz.
Secondary cache	512 KB
SIMM memory	32 MB minimum
Optional SIMM	256 MB maximum for system
ROM memory	512 KB
Standard coprocessor	HX 2D graphics coprocessor
Optional fixed disk	Four 3½-inch fixed disks
Optional RX26 diskette drive	2.88-MB, 3½-inch, half-height diskette drive
Optional RRD42 compact disc	600-MB, 5¼-inch, half-height compact disc drive
Optional TLZ06 tape	2 to 4-GB, 5¼-inch, half-height tape drive
Optional TZK10	525-MB, 5¼-inch, half-height, quarter-inch cartridge (QIC) tape drive
Optional expansion box	BA350 Expansion Box
Interfaces	Two single-channel SCSI-II compliant controllers (one internal and one external) that support both synchronous and asynchronous devices, one 10BASE-T Ethernet port, one AUI Ethernet port, one ISDN port, one synchronous/asynchronous communications port, one printer port, one MMJ alternate console port, four audio ports.

System Specifications

Environmental Limitations

Table A-5 provides information about the environmental conditions in which the DEC 3000 Model 500/500S AXP system can operate.

Table A-5 System Environmental Specifications

Nonoperating Conditions, Packaged	
Temperature range	-40°C to 66°C (-40°F to 151°F)
Relative humidity	10% to 95% (noncondensing)
Altitude	0 to 3600 m (0 to 12,000 ft)
Maximum wet bulb temperature	46°C (115°F)
Minimum dew point	N/A
Temperature rate of change	20°C per hour (36°F per hour)
Storage Conditions, Unpackaged	
Temperature range	5°C to 50°C (41°F to 122°F)
Relative humidity	10% to 95% (noncondensing)
Altitude	0 to 3600 m (0 to 12,000 ft)
Maximum wet bulb temperature	32°C (90°F)
Minimum dew point	2°C (36° F)
Temperature rate of change	20°C per hour (36°F per hour)

(continued on next page)

System Specifications

Table A-5 (Cont.) System Environmental Specifications

Operating Conditions	
Temperature range	10°C to 40°C (50°F to 104°F)
Temperature change rate	11°C per hour (20°F per hour) maximum
Relative humidity	10% to 90% (noncondensing, no diskette)
Maximum altitude	2000 m (6562 ft)
Maximum wet bulb temperature	28°C (82°F)
Minimum dew point	2°C (36°F)

B

Port Pin-outs

Appendix Overview

Introduction

This appendix is for users who want to connect communications devices to their system. The tables in this appendix explain the functions of the pins on the system unit ports.

In This Appendix

This appendix covers the following topics:

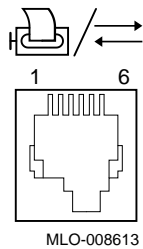
- Alternate Console/Printer Port
- Synchronous/Asynchronous Communications Port
- External SCSI Port
- Keyboard/Mouse or Tablet Port
- AUI Ethernet Port
- ISDN Port
- 10BASE-T Port
- Audio Port

Alternate Console/Printer Port

Alternate Console/Printer Port Diagram

Figure B-1 shows the pin layout for the alternate console/printer port.

Figure B-1 Alternate Console/Printer Port



Alternate Console/Printer Port Pin-outs

Table B-1 describes pin usage for the alternate console/printer port.

Table B-1 Alternate Console/Printer Port Pin-outs

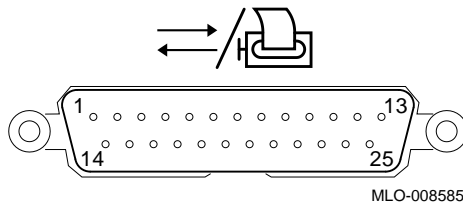
Pin	Description
1	Data terminal ready
2	Transmit data
3	Chassis ground
4	Receive return
5	Receive data
6	Data set ready

Synchronous/Asynchronous Communications Port

Synchronous/ Asynchronous Communication Port Diagram

Figure B-2 shows the pin layout for the synchronous/asynchronous communications port.

Figure B-2 Synchronous/Asynchronous Communications Port



Synchronous/ Asynchronous Communications Port Pin-outs

Table B-2 describes pin usage for the synchronous/asynchronous communications port.

Table B-2 Synchronous/Asynchronous Communications Port Pin-outs

Pin	Source	Signal	CCITT ¹	EIA ²	Description
1		GND	102	AB	Signal ground
2	KN15	TX	103	BA	Modem transmitted data
3	Modem/printer	RX	104	BB	Modem received data
4	KN15	RTS	105	CA	Request to send
5	Modem/printer	CTS	106	CB	Clear to send
6	Modem/printer	DSR	107	CC	Data set ready
7		GND	102	AB	Signal ground

¹International Telegraph and Telephone Consultative Committee (CCITT), an international consultative committee that sets international communications standards.

²Electronic Industries Association

(continued on next page)

Synchronous/Asynchronous Communications Port

Table B-2 (Cont.) Synchronous/Asynchronous Communications Port Pin-outs

Pin	Source	Signal	CCITT ¹	EIA ²	Description
8	Modem/printer	CD	109	CF	Carrier detector
9					Not used
10					Not used
11					Not used
12					Not used
13					Not used
14					Not used
15					Not used
16					Not used
17					Not used
18					Not used
19					Not used
20	KN15	DTR	108.2	CD	Data terminal ready
21					Not used
22	Modem/printer	RI	125	CE	Ring indicator
23					Not used
24					Not used
25					Not used

¹International Telegraph and Telephone Consultative Committee (CCITT), an international consultative committee that sets international communications standards.

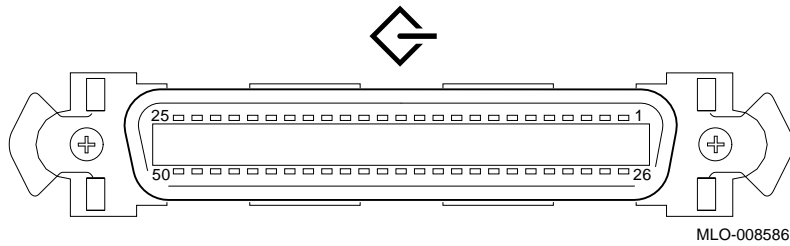
²Electronic Industries Association

External SCSI Port

External SCSI Port Diagram

Figure B-3 shows the pin layout for the external SCSI port.

Figure B-3 External SCSI Port



External SCSI Port Pin-outs

Table B-3 describes pin usage for the external SCSI port.

Table B-3 External SCSI Port Pin-outs

Pin	Description	Pin	Description
1	Chassis ground	26	SCSI bus data [0]
2	Chassis ground	27	SCSI bus data [1]
3	Chassis ground	28	SCSI bus data [2]
4	Chassis ground	29	SCSI bus data [3]
5	Chassis ground	30	SCSI bus data [4]
6	Chassis ground	31	SCSI bus data [5]
7	Chassis ground	32	SCSI bus data [6]
8	Chassis ground	33	SCSI bus data [7]
9	Chassis ground	34	SCSI bus data parity
10	Chassis ground	35	Chassis ground
11	Chassis ground	36	Chassis ground

(continued on next page)

External SCSI Port

Table B-3 (Cont.) External SCSI Port Pin-outs

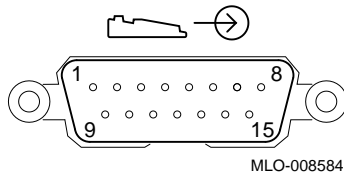
Pin	Description	Pin	Description
12	Chassis ground	37	Chassis ground
13	Not used	38	Terminal power
14	Chassis ground	39	Chassis ground
15	Chassis ground	40	Chassis ground
16	Chassis ground	41	SCSI bus ATN
17	Chassis ground	42	Chassis ground
18	Chassis ground	43	SCSI bus BSY
19	Chassis ground	44	SCSI bus ACK
20	Chassis ground	45	SCSI bus RST
21	Chassis ground	46	SCSI bus MSG
22	Chassis ground	47	SCSI bus SEL
23	Chassis ground	48	SCSI bus CD
24	Chassis ground	49	SCSI bus REQ
25	Chassis ground	50	SCSI bus I/O

Keyboard/Mouse or Tablet Port

Keyboard/Mouse or Tablet Port Diagram

Figure B-4 shows the pin layout for the keyboard/mouse port.

Figure B-4 Keyboard/Mouse or Tablet Port



Keyboard/Mouse or Tablet Port Pin-outs

Table B-4 describes pin usage for the keyboard/mouse port.

Table B-4 Keyboard/Mouse or Tablet Port Pin-outs

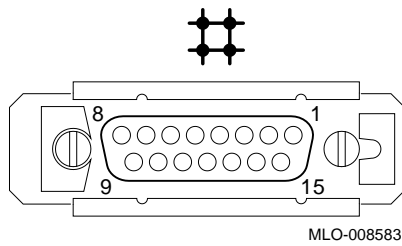
Pin	Source	Signal	Description
1		GND	Chassis ground
2		KEY.TX	Keyboard transmitted data
3	Keyboard	KEY.RX	Keyboard received data
4		+12V	Keyboard/tablet power
5		GND	Chassis ground
6	Mouse/tablet	MSE.RX	Mouse received data
7		MSE.TX	Mouse transmitted data
8		GND	Chassis ground
9		GND	Chassis ground
10		NC	Not used
11		NC	Not used
12		NC	Not used
13		+5V	Mouse power
14		-12V	Mouse power
15		GND	Chassis ground

AUI Ethernet Port

AUI Ethernet Port Diagram

Figure B-5 shows the pin layout for the AUI Ethernet port.

Figure B-5 AUI Ethernet Port



AUI Ethernet Port Pin-outs

Table B-5 describes pin usage for the AUI Ethernet port.

AUI Ethernet Port

Table B-5 AUI Ethernet Port Pin-outs

Pin	Source	Signal	Description
1			Chassis ground
2	XCVR	ACOL+	Collision presence
3	KN15	ATX+	Transmit
4		GND	Chassis ground
5	XCVR	ARX+	Receive
6	XCVR	GND	Power return
7		CTL+	Not used
8		GND	Chassis ground
9	XCVR	ACOL-	Collision, active low
10	KN15	ATX-	Transmit, active low
11		GND	Chassis ground
12	XCVR	ARX-	Receive, active low
13	KN15	+12V	Power
14		GND	Chassis ground
15		CTL-	Control output

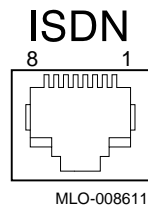
ISDN Port

ISDN Port

ISDN Port Diagram

Figure B-6 shows the pin layout for the ISDN port.

Figure B-6 ISDN Port



ISDN Port Pin-outs

Table B-6 describes pin usage for the ISDN port.

Table B-6 ISDN Port Pin-outs

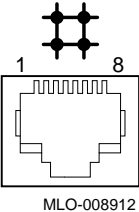
Pin	Description
1	Not used
2	Not used
3	Transmit-
4	Receive+
5	Receive-
6	Transmit+
7	Not used
8	Not used

10BASE-T Port

10BASE-T Port Diagram

Figure B-7 shows the pin layout for the 10BASE-T port.

Figure B-7 10BASE-T Port



10BASE-T Port Pin-outs

Table B-7 describes pin usage for the 10BASE-T port.

Table B-7 10BASE-T Port Pin-outs

Pin	Description
1	Transmit
2	Transmit, active low
3	Receive
4	Not used
5	Not used
6	Receive, active low
7	Not used
8	Not used

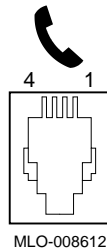
Audio Port

Audio Port

Audio Port Diagram

Figure B-8 shows the pin layout for the audio port.

Figure B-8 Audio Port



Audio Port Pin-outs

Table B-8 describes pin usage for the audio port.

Table B-8 Audio Port Pin-outs

Pin	Description
1	Audio in
2	Audio out
3	Audio out return
4	Audio in return (ground)

This adapter is pin-compatible with a telephone handset.

C

European Economic Community (EEC) Considerations

Appendix Overview

Introduction

This appendix is for users in the EEC who must attach nonshielded cables to their DEC 3000 Model 500/500S AXP system.

In This Appendix

This appendix covers:

- EEC Installation Instructions for Nonshielded Cables

EEC Installation Instructions for Nonshielded Cables

Compliance With EEC Regulations

In order to comply with radio interference regulations in the European Economic Community (EEC), shielded data cables must be used. To meet this requirement, users of nonshielded cables must ground the following ports, which use MMJ connectors, by using a pigtail ground wire:

- ISDN port (❶ in Figure C-1)
- Alternate console/printer port (❷ in Figure C-1)

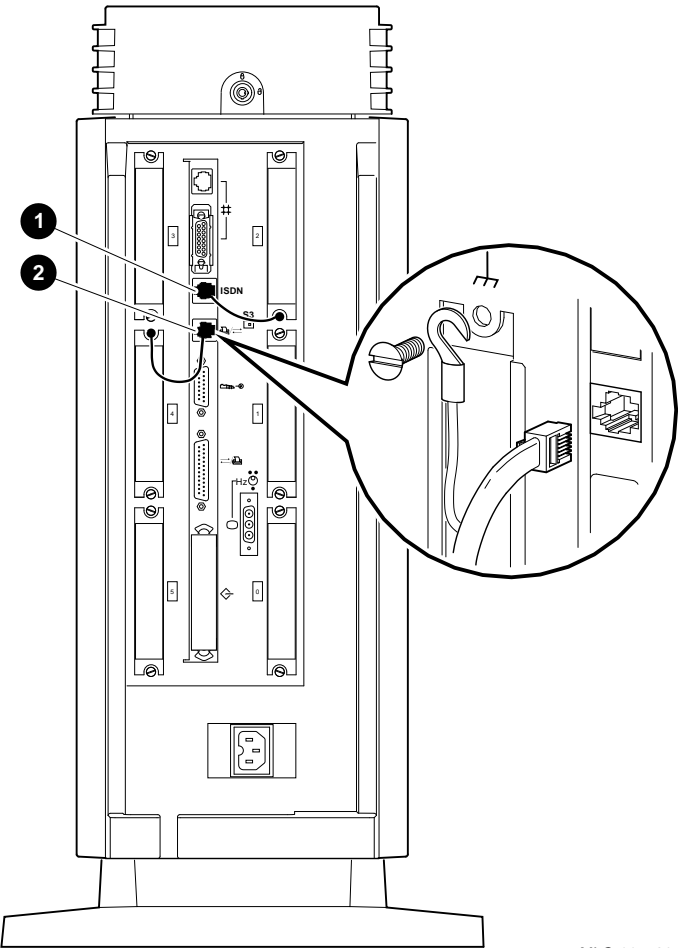
Attaching the Pigtail Grounding Wire

To attach the pigtail grounding wire, complete the following steps and refer to Figure C-1.

1. Unscrew a TURBOchannel slot screw nearest to the port you are grounding.
2. Align the hook of the pigtail grounding wire with the screw hole.
3. Tighten the screw of the TURBOchannel slot until the grounding wire is secure.

EEC Installation Instructions for Nonshielded Cables

Figure C-1 Connecting a Pigtail Grounding Wire



MLO-007589

D

Associated Documents

Appendix Overview

Introduction

This appendix provides information about available documentation. For option and system hardware part numbers, consult your Digital sales representative.

Not all of the following documents are available in every country. Check with your Digital sales representative for availability.

In This Appendix

This appendix covers the following topics:

- Associated Printed Documents
- OpenVMS AXP Documentation
- DEC OSF/1 AXP Documentation

Associated Printed Documents

Related Printed Books

Table D-1 lists the associated DEC 3000 Model 500/500S AXP documents available in printed form.

Table D-1 Associated Printed Documents

TITLE	ORDER NUMBER
DEC 3000 Model 500/500S AXP Server Kit	EK-FLAMI-DK
DEC 3000 Model 500/500S AXP Workstation Kit	EK-FLMNG-DK
<i>DEC 3000 Model 500/500S AXP Service Guide</i>	EK-FLAMI-SV
<i>DEC 3000 Model 500/500S AXP Technical Summary</i>	EK-FLMNG-TM
<i>OpenVMS AXP Factory Installed Software (FIS) User Information</i>	EK-A0377-UG
<i>DEC OSF/1 AXP Factory-Installed Software (FIS) User Information</i>	EK-SFFIS-UG
<i>Alpha AXP Systems Firmware Release Notes</i>	AA-PW8YA-TE

Associated Printed Documents

Drive Documents

Table D-2 lists the documentation for drives available with the DEC 3000 Model 500/500S AXP.

Table D-2 Drives

TITLE	ORDER NUMBER
<i>RRD42 Compact Disc Drive Owner's Manual</i>	EK-RRD42-OM
<i>RX26 Owner's Reference Card</i>	EK-RX26D-RC
<i>TZK10 Cartridge Tape Drive Owner's Guide</i>	EK-TZK10-OG
<i>TLZ06 Cassette Tape Drive Owner's Guide</i>	EK-TLZ06-OM
<i>TZ30 Cartridge Tape Drive Owner's Guide</i>	EK-OTZ30-OM
<i>TZ30 Cartridge Tape Drive Subsystem Service Manual</i>	EK-OTZ30-SV
<i>RZ Series Disk Drive Subsystem Pocket Service Guide</i>	EK-RZXXD-PS
<i>RZ Series Reference Manual</i>	EK-RZXXD-RM

Workstation Handbook

Table D-3 lists the associated workstation handbook documentation.

Table D-3 Handbook Series

TITLE	ORDER NUMBER
<i>Workstation Family Technical Summary</i>	EC-H0742-51

Associated Printed Documents

TURBOchannel Documents

Table D-4 lists the TURBOchannel documentation.

Table D-4 TURBOchannel-Related Documents

TITLE	ORDER NUMBER
<i>Smart Frame Buffer TURBOchannel Module</i>	EK-SFBOM-TC
<i>The High Three-Dimensional (3D) Graphics TURBOchannel Module</i>	EK-H3DOM-TC
<i>The Low Three-Dimensional (3D) Graphics TURBOchannel Module</i>	EK-L3DOM-TC
<i>The ThickWire Ethernet TURBOchannel Module</i>	EK-TWETH-TC
<i>TURBOchannel Extender Operator's Guide</i>	EK-PM32X-EX
<i>TURBOchannel Extender (TCE) Option Module</i>	EK-TCEIM-TC
<i>SCSI TURBOchannel Options Installation Kit</i>	EK-PMAZA-UG
<i>FDDIcontroller 700-C Installation</i>	EK-DEFZA-CI
<i>FDDIcontroller 700 Software Product Description</i>	AE-PE9MD-TE
<i>FDDIcontroller 700 Release Notes</i>	AA-PJKWA-TE

SCSI Documents

Table D-5 lists the available SCSI documentation.

Table D-5 SCSI Documents

TITLE	ORDER NUMBER
<i>Small Computer System Interface: An Overview</i>	EK-SCSIS-OV
<i>Small Computer System Interface: A Developer's Guide</i>	EK-SCSIS-SP

OpenVMS AXP Documentation

Available Documentation

The following sections list some of the OpenVMS AXP operating system documentation.

- General Documentation
- DECconnect Documents

General Documentation

Table D-6 lists general OpenVMS AXP operating system associated documents.

Table D-6 General OpenVMS AXP Operating System Documents

TITLE	ORDER NUMBER
<i>OpenVMS Alpha Version 1.0 Upgrade and Installation Manual</i>	AA-PV6XA-TE
<i>OpenVMS System Manager's Manual: Essentials</i>	AA-PV5MA-TK
<i>OpenVMS System Manager's Manual: Tuning, Monitoring, and Complex Systems</i>	AA-PV5NA-TK
<i>OpenVMS Alpha Layered Products Compact Disc User's Guide</i>	AA-PSQVC-RE
<i>OpenVMS AXP Release Notes</i>	AA-PV72A-TE
<i>Overview of OpenVMS Documentation</i>	AA-PV6YA-TK

DECconnect Documents

Table D-7 lists available DECconnect documentation.

Table D-7 DECconnect System

TITLE	ORDER NUMBER
<i>OPEN DECconnect Building Wiring Components and Applications Catalog</i>	EC-I1834-29
<i>DECconnect System General Description</i>	EK-DECSY-GD
<i>DECconnect System Requirements Evaluation Workbook</i>	EK-DECSY-EG
<i>DECconnect System Installation and Verification Guide</i>	EK-DECSY-SR
<i>DECconnect System Stand-alone ThinWire Networks: Planning and Installation Guide</i>	EK-DECSY-TG
<i>DECconnect System Planning and Configuration Guide</i>	EK-DECSY-CG

DEC OSF/1 AXP Documentation

Available Documentation

The following sections list the DEC OSF/1 AXP operating system documentation kits and their contents:

- User Documentation
- Server Documentation

**User
Documentation**

Table D-8 lists available subkits of the DEC OSF/1 AXP operating system user documentation.

Table D-8 User Documentation, QA-MT4AB-GZ

TITLE	ORDER NUMBER
<i>Startup Documentation Subkit</i>	QA-MT4AC-GZ
<i>Guide to Installing DEC OSF/1</i>	AA-PS2DA-TE
<i>Quick Reference (card)</i>	AV-PS3KA-TE
<i>Read This First Letter</i>	AV-PS3JA-TE
<i>Release Notes</i>	AA-PS2BA-TE
<i>General User Documentation Subkit</i>	QA-MT4AD-GZ
<i>DEC OSF/1 User's Guide</i>	AA-PS2HA-TE
<i>Network and Communications Overview</i>	AA-PS2MA-TE
<i>Reader's Guide</i>	AA-PS2JA-TE
<i>System and Network Management Documentation Subkit</i>	QA-MT4AE-GZ
<i>DEC Verifier and Exerciser Tool User's Guide</i>	AA-PTTMA-TE
<i>Guide to Kernel Debugging</i>	AA-PS2TA-TE
<i>Network Administration and Problem Solving</i>	AA-PS2SA-TE
<i>Configuring Your Network Software</i>	AA-PS2GA-TE
<i>Guide to Prestoserve</i>	AA-PQT0A-TE
<i>Guide to Software License Management</i>	AA-PS2EA-TE
<i>Guide to System Administration</i>	AA-PS2RA-TE
<i>Migration Documentation Subkit</i>	QA-MT4AF-GZ
<i>System V to DEC OSF/1 Migration Guide</i>	AA-PS3DA-TE
<i>ULTRIX to DEC OSF/1 Migration Guide</i>	AA-PS3EA-TE

DEC OSF/1 AXP Documentation

**Server
Documentation**

Table D-9 lists the available documentation about servers.

Table D-9 Server Documentation Kit, QA-MT4AL-GZ

TITLE	ORDER NUMBER
<i>Guide to Sharing Software on a Local Area Network</i>	AA-PS3LA-TE

E

Special Information for PTT Network Users

Appendix Overview

Introduction

The United Kingdom and other countries require that certain installation information be provided about the DEC 3000 Model 500/500S AXP system communications, which is hosted within the DEC 3000 Model 500/500S AXP system.

In This Appendix

This appendix describes the appropriate installation information for the 54-21147 module and includes the following topics:

- Service Categories
- Host Power Rating
- Module Isolation
- Safety Warnings for UK Installations Only
- Cable Approval
- Supported Cables
- Equipment Between the Approved Module and a Digital Circuit (PTT)

Service Categories

Service Categories

Overview Table E-1 describes the services specifications for the 54-21147 module.

Table E-1 BAPT-Approved Service Specifications for the 54-21147 Module for UK Compliance

Service Category	Interface Type (CCITT recommendation)	Service Requirements (Electrical) (Physical)		Data Rate	Public Telecommunications Operators ¹		
					BT	Hull	MCL
1	X.21bis	V.24	ISO 2110,	2400 bps	Yes	Yes	Yes
		/V.28	BS.6623:	4800 bps	Yes	Yes	Yes
			part1, 1985.	9600 bps	Yes	Yes	Yes
				19200 bps	No	No	Yes

Approved extension cables²:
BC22F-25 (25 feet) and BC22F-10 (10 feet)

¹BT — British Telecommunications plc.
Hull — Kingston Communications (Hull) plc.
MCL — Mercury Communications Limited.

²The total length of cable used must not exceed 27 feet.

Host Power Rating

Correct Power Rating

You must ensure that the total power drawn by the 54-21147 module, the host, and other auxiliary equipment drawing power from the host, is within the rating of the host power supply.

Digital has designed all permutations of the host configuration (including the DEC 3000 Model 500/500S AXP system) to operate within the limits of the host power rating, as shown in Table E-2.

Table E-2 Module Power

Nominal Voltage	Minimum Voltage (Volts)	Maximum Voltage (Volts)	Maximum Input Current (Amperage) ¹	Maximum Input Current (Amperage) ²
+5.1V	+4.896	+5.304	5.0	17.0
+12.1V	+11.616	+12.584	0.3	1.8
-12.0V	-11.4	-12.6	0.1	0.1

¹Without TURBOchannel option slots populated.

²With three TURBOchannel option slots populated. This is a worst-case current situation as specified in TURBOchannel hardware specification.

Module Isolation

Clearance and Creepage Defined

Clearance and creepage distances must be maintained on your 54-21147 module. Clearance is the shortest distance in air between two points. Creepage is the shortest distance along a continuous surface between those same two points.

Creepage distances apply when the 54-21147 module system is installed in a controlled environment. You can check creepage distances by measuring the distance between adjacent parts.

If in doubt, you should seek the advice of a telecommunications safety engineer. Failure to install the 54-21147 module in accordance with these instructions will invalidate the approval.

Clearance and Creepage Distances

Except at the connector that plugs into the host, clearance and creepage distances of Xmm and Ymm, as listed in Table E-3, must be maintained between the approved module and other parts of the host, including expansion cards. Digital has ensured that when the 54-21147 module is installed within the DEC 3000 Model 500/500S AXP system, the creepage and clearance distances to the host are met.

Table E-3 Clearance and Creepage Distances

Clearance (Xmm)	Creepage (Ymm ¹)	Voltage Used or Generated by Other Parts of the Host or Expansion Card (Vrms or Vdc)
2.0	2.4 (3.8)	Up to 50
2.6	3.0 (4.8)	Up to 125
4.0	5.0 (8.0)	Up to 250
4.0	6.4 (10.0)	Up to 300

¹The distances shown in parentheses apply in an uncontrolled environment where heat, humidity, and temperature may fluctuate.

Safety Warnings for UK Installations Only

Safety Labels on Ports

Ports indicated by the safety warning label do not provide sufficient isolation to satisfy the requirements of the relevant parts of standard BS6301. Therefore, any product connected to this port must meet one of the following conditions:

- Be covered by OFTEL's General Approval NS/G/1234/J/100003
(All products supplied by Digital comply with this General Approval.)
- Have been approved to the relevant parts of standard BS6301
- Have previously been evaluated against British Telecom (Post Office) Technical Guide 2 or 26 and given permission to attach

Any other use of this product invalidates approval.

Safety Warnings for UK Installations Only

**CAUTION:
Hazardous
Conditions on
the Network**

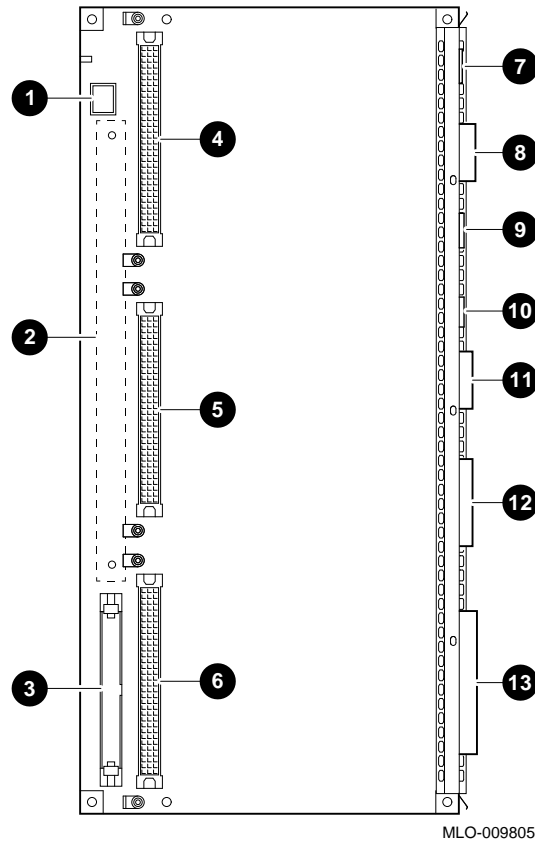
If a port has the following label, direct or indirect interconnection of that port, whether the port is marked or not, may produce hazardous conditions on the network:

SAFETY WARNING - See Instructions for Use Before Making Any Connection to This Module

**Applicable
Ports for Safety
Label**

The "SAFETY WARNING" label applies to all ports shown by callouts ❶ through ❸ in Figure E-1.

Figure E-1 Front View



Obtain advice from a competent engineer before making such a connection.

Cable Approval

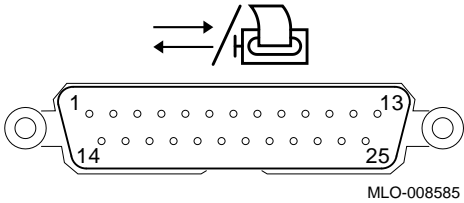
Cable Connection to Digital Circuits

The 54-21147 module is approved for direct connection to a particular digital circuit. This approval includes an interconnecting cable with mating connectors that conform to the British standard BS6623, parts 1 and 4. If the module is connected to the service with anything other than its own approved cables, those cables must benefit from relevant general approval NS/G/1235/100009 and/or conform to any other applicable requirements.

Connector Diagram

Figure E-2 shows the pin layout for the connector.

Figure E-2 Connector Pin Layout



Connector Pin-Outs

Table E-4 describes pin usage for the connector.

Table E-4 Connector Pin-Outs Described

Pin	Description	Pin	Description
1	Ground	14	Not used
2	Transmit data	15	Transmit clock
3	Receive data	16	Not used
4	Request to send	17	Receive clock

(continued on next page)

Cable Approval

Table E-4 (Cont.) Connector Pin-Outs Described

Pin	Description	Pin	Description
5	Clear to send	18	Not used
6	Data set ready	19	Not used
7	Ground	20	Data terminal ready
8	Carrier detect	21	Not used
9	Not used	22	Ring indicator
10	Not used	23	Data signal rate selector
11	Not used	24	Not used
12	Speed indicate	25	Not used
13	Not used		

Supported Cables

Cable Descriptions

The 54-21147 module supports the following cables.

Table E-5 Cables Supported by the 54-21147 Module

Interface	Cable Type	Name	Molding	Pins
V.24	Extension	BC22F-10	Straight	25-25
V.24	Extension	BC22F-25	Straight	25-25

Equipment Between the Approved Module and a Digital Circuit (PTT)

Equipment Requirements

If any other equipment, including cables or wiring, is to be connected between the 54-21147 module and the point of connection to any particular digital circuit, that equipment must conform as follows:

- The overall transmission characteristics of all other equipment must not have any material effect on the electrical conditions between the equipment and the digital circuit.
- All other equipment must comprise only the following:
 - Approved equipment, which may be subject to limitations on its use, for the purpose of connection between it and a particular digital circuit.
 - Cable or wiring that complies with a code of practice for the installation of equipment covered by this standard or other requirements that may be applicable.

Glossary

10BASE-T Ethernet network

The IEEE standard 802.3-compliant Ethernet products used for local distribution of data. These networking products characteristically use a cable made by twisting together two insulated conductors with no common covering. (Commonly known as twisted-pair cable.) *Compare with* thickwire Ethernet network.

alternate console feature

A feature that allows you to receive system messages on an alternate console terminal and direct system activities from this terminal, if necessary, to diagnose problems with the monitor.

ANSI

Abbreviation for American National Standards Institute, an organization that develops and publishes standards for the computer industry.

antistatic wrist strap

A grounded strap you connect to your wrist and to the system unit while handling internal devices that are sensitive to static. This strap prevents electrostatic discharge that could result in loss of data.

applications

Programs, such as a financial spreadsheet, that perform end-user tasks.

architecture

The internal configuration of a computer including its registers, instruction set, and input/output structure.

asynchronous communication

A type of communications in which data is transmitted at different time intervals. *Compare with* synchronous.

AUI (Attachment Unit Interface) Ethernet network

An IEEE standard 802.3-compliant Ethernet network made of standard Ethernet cable, as opposed to ThinWire Ethernet cable. Also called standard Ethernet. *Compare with* ThinWire Ethernet network. *See* standard Ethernet network or thickwire Ethernet network.)

autoboot

The process by which the system boots automatically.

backup copy

A copy of files or software made for safekeeping. Making a backup copy of the data stored on your disk allows you to recover that data after an accidental loss. You can make backup copies on tape cartridges.

baud rate

The speed at which signals are serially transmitted over a communications line. Baud rates can be measured in bits per second or characters per second. One baud equals one bit per second; eight bauds equals one character per second.

bit

A binary digit; the smallest unit of information in a binary system of notation, designated as a 0 or a 1.

boot

Short for bootstrap, meaning to bring a device or system to a defined state where it can operate on its own.

boot (or bootstrap) device

The memory storage device that holds the software that carries out a system bootstrap procedure.

boot flag

An indicator bit, set by the system manager, that contains information that is read and used by the bootstrap software during a system bootstrap procedure. Default boot flags should already be set when you receive your system.

bootp

An Internet protocol used for network booting. It is based on UDP (the Internet User Datagram Protocol) which is a simple, reliable datagram protocol. The bootp protocol allows a diskless machine to find its Internet address, the address of a bootserver, and the name of a file to boot.

buffer

An internal memory area used for temporary storage of data records during input or output operations.

bus

A group of signals consisting of transmission lines or wires to create a common channel or pathway. The bus interconnects either internal computer system components to provide communications paths for addresses, data, and control information or external terminals and systems in a communications network.

byte

A group of eight contiguous binary digits (bits). Bits are numbered from right to left, 0 through 7, with bit 0 being the low-order bit. *See also* kilobyte and megabyte.

cable

A sheathed group of electrical conductors.

cable junction block

A small box attached to the monitor cable from which the BNC connectors emerge.

cache

See cache memory.

cache memory

A small, high-speed area of memory placed between slower main memory and the processor. Cache memory increases memory transfer rates and processor speed. It contains copies of data recently used by the processor and fetches several bytes of data from memory in anticipation that the processor will access the next sequential series of bytes.

caddy

The holder for an RRD42 compact disc.

CD

See compact disc.

CD-ROM

See compact disc read-only memory.

central processing unit (CPU)

The unit of the computer that is responsible for interpreting and executing instructions.

channel

A path along which digital information can flow in a computer. Also, the main current path between the source and drain electrodes in a semiconductor device. *See also* bus.

checksum

A sum of digits or bits that is used to verify the integrity of a piece of data.

CI

See computer interconnect.

CISC

Complex instruction set computer. A computer that uses an instruction set consisting of a large number of complex instructions that are managed by microcode. *Contrast with* RISC.

client

A piece of hardware or software that obtains a specific set of services from a server.

client-server computing

An approach to computing that enables personal computer and workstation users—the “clients”—to work cooperatively with software programs stored on a mainframe or minicomputer—the “server.”

clock

A signal used to synchronize the circuits in a computer system.

cluster

A group of networked computers that communicate over a common interface to share disk storage, application programs, and other computer resources. *See also* VMScluster system.

CMOS

See Complementary metal-oxide semiconductor.

coaxial cable

A passive communications media.

command

A request made to the operating system to perform a specific function, for example, a request to run a program or show the configuration of a system.

communications

The transmission of digital data from one point (the source) to another (the receiver).

compact disc

A removable flat circular plate, used in the compact disc drive on which read-only optical data is stored. A laser optical reader retrieves this information.

compact disc read-only memory (CD-ROM)

The removable disc used in the compact disc drive. Data can be stored on this disc and retrieved from it.

complementary metal-oxide semiconductor (CMOS)

A silicon device that requires very little power and can operate at very high speeds.

component

A basic part, or element, of your system that can be either internal or external. *Compare with* device.

computer interconnect (CI)

A high-speed, fault-tolerant, dual-path bus, which has a bandwidth of 70 megabits per second. With the CI, any combination of processor nodes and intelligent I/O subsystem nodes, up to 16 in number, can be coupled loosely in a computer-room environment.

configuration

See system configuration.

connector

Hardware that connects directly to a port on the system.

console

A device through which an operator communicates with the computer.

console commands

Commands that you input when the system is in console mode.

console mode

The state in which the computer is controlled directly by user commands from the console terminal rather than indirectly through the operating system. Console mode is in effect when the system is turned on and the operating system software has not been started, or the operating system software has been interrupted by pressing the halt button on the system unit. Console mode is indicated by the console prompt (>>>) on the monitor screen. *Compare with* program mode.

console password

The password used to access privileged console commands.

console program

The code that the CPU executes during console mode.

console prompt

The prompt (>>>) that appears on the screen when the system is in console mode.

console terminal

The video or hardcopy terminal used to start the system and direct activities between the computer operator and the console subsystem.

console terminal port

The connector to which the console terminal cable is attached.

controller

A system component, usually a printed circuit board, that regulates the operation of one or more devices.

CPU

See central processing unit.

cursor

A blinking symbol on the screen that indicates where the next character you type will appear.

cycle

One clock interval.

data

A formal representation of information suitable for communication, interpretation, and processing by humans or computers.

data bus

A pathway used to carry data signals between two or more components of the system.

data transmission

The movement of data in the form of electrical signals along a communications line.

DECconnect

Digital's cabling system for extending Ethernet and terminal interconnections into offices and work areas.

DECchip 21064

This CPU microprocessor chip is a CMOS-4 superscalar (dual instruction issue), super-pipelined implementation of the Alpha AXP architecture.

DECnet network

Digital networking software that runs on nodes in both local and wide area networks.

DEC OSF/1 AXP operating system

A general-purpose operating system based on the Open Software Foundation OSF/1 1.0 technology.

DECwindows Motif

An interface to the operating system that allows a workstation screen to be divided into windows where several application programs can appear simultaneously, and commands can be executed using menus and a mouse. This interface is fully compliant with the OSF/Motif Graphical User Interface standard from the Open Software Foundation. *See also* window.

default

A computer value or setting that is automatically in effect unless or until another value is specified. There are some default values that you cannot override.

default recovery action

The action that the system takes after a power or system failure.

desktop enclosure

A type of system cabinet that is small enough to sit on top of a desk. *Compare with* rackmount enclosure.

device

The general name for any hardware unit connected to the system and capable of receiving, storing, or transmitting data. Examples of devices are drives and units that you can install into or externally connect to the system unit or an expansion box.

device name

The name by which a device or controller is identified in the system. The name that a particular operating system uses for a storage device to access that particular device. Also called the device mnemonic.

diagnostics

Programs, located in read-only memory, that detect and identify abnormal system hardware operation.

digital data

Information recorded and transmitted in binary coded form.

direct memory access

A processor that transfers data directly from one memory to another without going through the main processor.

disc

See compact disc.

disk

A flat circular plate with a magnetic coating on which data is magnetically stored in concentric circles (tracks). A fixed disk resides permanently inside a disk drive, whereas a diskette is removable.

disk drive

A device that holds a disk. The drive contains mechanical components that spin the disk and move the read and write heads that store and read the information on the surface of the disks.

diskette

A disk contained in a square jacket. Diskettes can be inserted and removed from diskette drives.

diskette drive

A disk drive that reads from or writes to a removable diskette, such as an RX26 diskette.

diskless system

A system that has no storage capacity of its own.

distributed processing

A processing configuration in which each processor has its own autonomous operating environment. In a distributed processing environment, the processors are not tightly coupled and globally controlled as they are with multiprocessing. Instead, an application is distributed over more than one system. The application must have the ability to coordinate its activity over a dispersed operating environment.

DMA

See direct memory access.

DRAM

See dynamic random-access memory.

dynamic random-access memory (DRAM)

Read/write memory that must be refreshed (read from or written to) periodically to maintain the storage of information.

ECC error

Describes a memory error. There are two kinds of ECC errors. ECC correctable errors are errors that are successfully corrected by the error detection and correction process. ECC uncorrectable errors are not successfully corrected by this process.

environment variable

A global data structure that can be accessed only from console mode. The setting of these data structures determines how a system powers up, boots operating system software, and operates.

error correction code (ECC)

Code that carries out automatic error correction by performing an exclusive OR operation on the transferred data and applying a correction mask.

error message number

A number that appears on the error line representing a particular system or component problem.

Ethernet

A local area network (LAN) or wide area network (WAN) that connects (by coaxial cable) multiple computers that are running a variety of network operating systems. Ethernet transmits 10 megabits per second and does not require switching logic or control by a central computer.

Ethernet controller

An interface unit that connects a system to the Ethernet.

Ethernet hardware address

The unique Ethernet physical address associated with a particular Ethernet communications controller.

Ethernet ports

The connectors on the system unit through which the Ethernet is connected to the system.

Ethernet subsystem

The Ethernet controller chip built into the system module.

expansion box

An attachable system option that holds one TURBOchannel option module, two hard disk drives, and one removable-media drive.

Factory-Installed Software (FIS)

Operating system software that is loaded into an internal fixed disk and installed in the system unit during manufacture. On site, the FIS is bootstrapped through the system disk, prompting a predefined menu of questions on the final configuration.

FDDI

See Fiber Distributed Data Interface

FEPRM (flash-erasable programmable read-only memory)

A memory device from which data can be erased in large amounts at a time. *Contrast with* EEPROM.

Fiber Distributed Data Interface (FDDI)

An ANSI-standard high-speed network technology that uses fiber optics as the transmission medium. FDDI employs a ring topology and operates up to 100 km in total network length. It uses 1300 nm wavelengths, which optimize fiber bandwidth.

field replaceable unit (FRU)

Any system component that can be replaced by your Digital service representative.

file

A collection of related information treated by the system as a unit.

firmware

Software code that is stored in a fixed way (wired in), usually in read-only memory. The firmware executes when the system is turned on, during operating system boot and restarts, and as a result of operator intervention or a fatal system error.

FIS

See Factory Installed Software.

fixed disk

A disk that resides permanently inside a disk drive. *Compare with* diskette.

fixed disk drive

The disk drive that holds and reads from or writes to a fixed disk.

floating point

A number that may be positive or negative but that has a whole (integer) portion and a fractional (decimal) portion; an arithmetic operation in which the decimal point is not fixed, but placed automatically in a correct position in a computer word.

frame buffer

An area of memory that contains a pixel-level description of a displayed image. The frame buffer is also used to refresh the raster display.

FRU

See Field Replaceable Unit.

gigabyte (GB)

The measure used to refer to memory or secondary storage capacity, equal to 1,024 megabytes or 1,073,741,824 bytes.

GKS (Graphical Kernel System) application

An application that uses the GKS graphics system and language to create two-dimensional (2D), three-dimensional (3D), and raster images on the screen. A GKS application can be developed on one system and easily moved to another system.

graphics

A computer output of drawings, charts, and graphs.

half-height disk

Any 1 5/8-inch fixed drive that is 3½ inches (9-centimeters) wide, such as those in the RZ family; or a 1 5/8-inch removable drive that is 5-inches (12.7-centimeters) wide, such as a compact disc.

halt

The action of stopping the CPU from processing. This action brings the system under the control of the console program. A halt can occur when an internal system error is detected, when you enter the HALT command at the console terminal, or when you press the Halt button on the back of the system unit.

hardware

The physical equipment—mechanical and electrical—that makes up a system. *Compare with* software.

hexadecimal

A numbering system using the base 16 that is a shorthand method for representing binary numbers. Using this method, each four bits is converted into a single hexadecimal digit. For example, 1001 in binary is equal to 9 in hexadecimal.

hit

Indicates that a valid copy of a desired memory location is currently in cache.

icon

A graphical symbol on the system unit or window that identifies drives, ports, switches, indicators, and programs running in the background. Symbols displayed on a window represent an action the computer can take. The symbol replaces a command you would otherwise type.

IEEE

Abbreviation for Institute of Electrical and Electronics Engineers.

initialization

The sequence of steps that prepare the system to start. Initialization occurs automatically after a system has been turned on.

input/output (I/O) device

A piece of equipment that transmits data to (input) and from (output) the system. For example, a terminal or a mouse. *See* mouse.

Integrated Services Digital Network (ISDN)

An international telecommunications standard that allows a communications channel to simultaneously carry voice, video, and data.

interface

An electronic circuit board that links an external device to a computer. Also, a device or piece of software that allows a user to communicate with the system or allows the components of the system to communicate with each other.

internal cache

See memory.

internal processor register (IPR)

A register internal to the CPU chip.

ISDN

See Integrated Services Digital Network.

jack

A receptacle into which you insert a plug, such as an audio jack.

kilobyte (KB)

The measure used to refer to memory or secondary storage capacity, equal to 1,024 bytes.

LAN

See local area network.

light-emitting diode (LED)

A semiconductor device that glows when supplied with a specific voltage. The operator control panel contains LEDs that indicate the status of the modules in the computer.

local

In close proximity to the computer. *Compare with remote.*

local area network

A high-speed network communications system that connects a variety of multiple computers within a limited geographical area, such as one building or a group of buildings. It is a privately owned communication network whose speed is upward of one megabit per second. Using a LAN, multiple users can share devices and files at higher speeds, faster response times, and lower costs than with telephone lines.

local area VMSccluster system

A type of configuration in which cluster communication is carried out over the Ethernet by software that emulates certain computer interconnect (CI) port functions.

local console mode

A mode in which you interact directly with the console subsystem without requiring the password security feature. *Compare with* privileged console mode.

local device

A disk drive, tape drive, or other device that is only available to the computer to which it is connected.

log in

To identify yourself to the operating system. When you log in, you type an account name and password. If the name and password match an account on the system, you are allowed access to that account.

logic

A sequence of hardware or software operations. Hardware logic consists of chips and circuits that compute and control computer operations. Software logic (also called program logic) is the sequence of program instructions.

logical

The design of a system rather than its implementation.

login command

The command issued at the operating system prompt that allows access to and communication with the system.

loopback connector

An Ethernet or communications connector used on the back of the system unit when testing the Ethernet subsystem or the synchronous/ asynchronous communications adapter, or when the Ethernet and communications ports are not in use.

loopback tests

Diagnostic tests used to isolate a failure by testing segments of a particular control or data path.

magnetic tape

A tape, made of plastic and coated with magnetic oxide, that is used to store data. Also called magtape.

Maintenance Operations Protocol (MOP)

The transport protocol for network bootstraps and other network operations.

mass storage device

An input/output device on which data is stored. Typical mass storage devices include fixed disks, compact discs, magnetic tapes, and diskettes.

Mb

See megabit.

MB

See megabyte.

media

The physical material on which data is recorded, for example, magnetic disks, diskettes, and compact discs.

megabit

A unit of measure equal to one million bits.

megabyte

A unit of measure equal to 1,024 kilobytes or 1,048,576 bytes.

memory

The area of the system that electrically stores instructions and data, often temporarily.

memory module

A single in-line memory module (SIMM) that contains memory for your system.

miss

Indicates that a copy of a desired memory location is not in a cache.

mnemonic

The abbreviation used by the system to identify a device or controller in the system. Also referred to as the device name.

modem

A device that converts computer signals to signals that can be sent over a telephone line.

module

An etched circuit board that contains electrical components and electrically conductive pathways between components on which logic devices (such as transistors, resistors, and memory chips) are mounted. A module stores data or memory or controls the functions of a device.

monitor

A video device that displays data.

MOP

See Maintenance Operations Protocol.

mouse

A hand-held input device that is moved across the desktop to move the pointer or cursor on the monitor screen and to select menu options and draw graphics. The mouse is palm-sized and contains up to three buttons (function keys).

multiprocessing

A processing method that replicates the sequential computer and interconnects the collection so that each processor can execute the same or a different program at the same time.

multiprocessing system

A system that executes multiple tasks simultaneously.

multiplex

To transmit several messages or signals simultaneously on the same circuit or channel.

nanosecond

A unit of measure equal to one billionth of one second used to measure the speed of memory and logic chips.

network

Two or more computers linked by communication lines to share information and resources.

network coordinator

The person who manages the network, assigns unique node names and addresses for each system on the network, and provides administrative assistance to network users.

node

A device that has an address on, is connected to, and is able to communicate with other devices on the bus. In a computer network, an individual computer system connected to the network that can communicate with other systems on the network.

node name

A name that identifies a unique node.

nonvolatile random-access memory

Memory, such as magnetic tape or core memory, in which values are stored even when the system is turned off.

ns

See nanoseconds.

null modem

A connection box that replaces two modems and their connecting wires. This box allows two devices that are designed to interact through modems to be locally connected.

NVRAM

See nonvolatile random-access memory.

online documentation

Documents that can be read directly on your monitor screen. Online documentation is stored on a compact disc and includes all text and illustrations found in the printed manuals. Fast access time and cross-referencing are two advantages of online documentation.

Open Software Foundation (OSF)

A foundation formed to develop open design software based on the UNIX standard. Development to date includes the OSF/1 operating system, the Distributed Computing Environment (DCE), and the Distributed Management Environment (DME).

open system

A system that implements open specifications for interfaces, services, and supporting formats so that applications software can:

- Be ported across a wide range of systems with minimal changes
- Interoperate with other applications on local and remote systems
- Interact with users in a style that facilitates user portability

operating system

An integrated collection of programs that controls the operation of the system and allows users access to data files, input/output devices, and application programs.

operating system mode

The state in which the system console terminal is under the control of the operating system software. Also called program mode.

PAL

See Privileged Architecture Library (software) and Programmable Array Logic (hardware).

PALcode

Privileged Architecture Library code, written to support Alpha AXP processors. PALcode implements architecturally defined behavior.

parameter

A variable given a specific value that is passed to a program before execution. The system console code uses many such parameters.

parity

A method for checking the accuracy of data by calculating the sum of the number of ones in a piece of binary data. Even parity requires the correct sum to be an even number, odd parity requires the correct sum to be an odd number.

password

A unique string of characters or numbers, or both that identifies you to the computer.

password security feature

The feature that restricts access to certain console commands. To use all console commands, users must enter a password.

pedestal

A system enclosure suitable in size and operating characteristics for an office environment.

peripheral device

An internal or external device that provides the central processing unit (CPU) with additional memory storage or communication capability. Examples are disk and diskette drives, video terminals, printers, and expansion boxes.

PEX-based application

An application that runs on Software PEX (software PEX server). Software PEX allows a three-dimensional (3D) application to run without specialized 3D hardware.

PHIGS (Programmer's Hierarchical Interactive Graphics System) application

An application that uses the PHIGS graphics system and language to create two-dimensional (2D) and three-dimensional (3D) images on the screen.

pipeline

a CPU design technique whereby multiple instructions are simultaneously overlapped in execution.

pointing device

A terminal input device that allows you to make a selection from a menu or to draw graphics. *See* mouse and tablet.

port

A socket on the front or back of the system unit to which a terminal, printer, modem or other device is connected.

port pin-outs

The description of the function of electronic signals transmitted through each pin in a port connector.

primary cache

The cache that is the fastest and closest to the processor. The DECchip 21064 CPU contains an instruction cache and a data cache.

Privileged Architecture Library (PAL)

A software chip that has a series of logic gates (AND, OR, and NOT) that are not tied together.

privileged console commands

The commands allowed by the password security feature. *See also* password security feature.

privileged console mode

The state the system is in when the password security feature is enabled. When the system is in this mode, certain console commands can be issued only after a password is provided. *See also* password security feature.

process

A program currently using memory and running on the system.

processor module

A module that contains the CPU chip.

program

The sequence of instructions the system uses to perform a task. *See also* software.

program mode

The state in which the computer is controlled by the operating system. After the operating system is invoked, the system always operates in program mode, unless you put it into console mode. In program mode, the user can manage the system, run software applications, and perform network tasks. *Compare with* console mode.

Programmable Array Logic (PAL)

A hardware device that can be programmed by a process that blows individual fuses to create a circuit.

prompt

A symbol or message displayed by a program or an operating system, asking you to provide input.

puck

A palm-sized device that slides on a tablet's surface. The puck and tablet together function as a pointing device. *See also* pointing device and tablet.

rackmount enclosure

A type of system cabinet for which components are built to fit into a metal frame.

random access memory (RAM)

Memory that can be both read from and written to and that can randomly access any one location during normal operations. The type of memory the system uses to store the instructions of programs currently being run.

read-only memory (ROM)

Memory that cannot be modified. The system can use (read) the data contained in ROM but cannot change it.

Reduced Instruction Set Computer (RISC)

A computer with an instruction set that is reduced in complexity, but not necessarily in the number of instructions. RISC architectures typically require more instructions than Complex Instruction Set Computer (CISC) architectures to perform given operations, because an individual RISC instruction performs less work than a CISC instruction.

register

A temporary storage location in hardware logic other than main memory.

remote

Physically distant from a computer, but linked to a computer by communication lines. *Compare with* local.

remote console port

The port that connects a remote access device to a system.

removable-media drive

A drive such as the RRD42, TZK10, TZ30, TLZ06, or RX26 from which the storage medium is removable.

restore

In software, to recover files or software that were backed up, copying the material from the backup medium (such as a tape or diskette) to the medium you normally use.

In hardware, to return the system to an operating condition.

RISC

See Reduced Instruction Set Computer.

ROM

See read-only memory.

satellite

A node that is booted remotely from the system disk on the boot node. Also, a computer system that obtains a specific set of services from a server system.

SCSI

See Small Computer System Interface.

SCSI bus

A communications pathway between the Small Computer System Interface (SCSI) and other internal devices. The SCSI bus consists of an address bus, which selects the location of the data, and a data bus, which transfers the data.

SCSI controller

The device that directs the operations of the Small Computer System Interface (SCSI) with synchronous and asynchronous capabilities.

SCSI jumpers

Removable electrical connectors on some of the drives, such as the RRD42, that determine the SCSI setting on a drive. Each installed drive must have a unique setting for proper communication between the system and all drives.

SCSI switches

Electrical switches on the side or back of some drives, such as the RX26, that determine the SCSI setting of the drive. Each installed drive must have a unique setting for proper communication between the system and all drives.

secondary cache

A random access mass storage area implemented on devices such as disks. *Compare with* main memory.

segment

A length of ThinWire Ethernet cable made up of one or more cable sections connected with barrel connectors or T-connectors.

self-test

A test that is invoked automatically when the system starts up.

serial port

A port dedicated to hookups with serial line devices such as terminals or printers. Serial devices transmit data one word after another (serially) along a single pair of lines from a sending device to a receiving device.

server

Hardware or software that provides a specific set of services to a satellite or client.

Small Computer System Interface (SCSI)

An ANSI-standard interface designed for connecting disks and other peripheral devices to computer systems. SCSI is used by many computer and peripheral vendors throughout the industry.

smart frame buffer

A separate memory component for graphics images.

soft error

A recoverable error.

software

Instructions executed by the system to perform a chosen or required function. *Compare with* hardware.

SRAM

Serial read-only memory.

standalone network

A network that starts and operates alone, without being connected to another network.

standalone workstation

A workstation that starts and operates alone, without being connected to another computer.

standard Ethernet network

An Ethernet network connected with standard Ethernet cable. (Also known as thickwire Ethernet). *Compare with* ThinWire Ethernet network.

startup procedure

The sequence of events that occur when you supply power by turning on the system or its components.

storage device

A device, such as a diskette or tape, capable of recording information.

storage expansion box

See expansion box.

strain relief strap

See universal strain relief strap.

stylus

A penlike device that draws on the surface of a tablet and functions as a pointing device.

superpipelined

Describes a pipelined machine that has a larger number of pipe stages and more complex scheduling and control. *See also* pipeline.

superscalar

Describes a machine that issues multiple independent instructions per clock cycle.

synchronous communication

A type of communication in which data is transmitted at equal time intervals. This type of communication allows you to connect your system to others in one of two ways:

- Through a modem to a Wide Area Network (WAN)
- Directly to another system through a null modem

system

A combination of hardware, software, and peripheral devices that together perform specific processing operations.

system configuration

The combined layout of hardware and software that makes up a usable computer system.

system disk

The disk that stores the operating system and that starts the system and allows it to run properly.

system unit

The part of the system that contains the drives, memory, power supply, and the computer itself.

tablet

An absolute-positioning input device composed of a flat-surfaced digitizing tablet that functions as a drawing surface. Two pointing devices, a puck and a stylus, are used with the tablet to move the cursor on the monitor screen, draw graphics, and make selections from the menu.

tape cartridge

Housing for magnetic tape. The cartridge contains a reel of tape and a take-up reel. A cartridge is similar to a cassette, but of slightly different design.

tape drive

A device that contains mechanical components and holds, turns, reads, and writes on magnetic tape.

T-connector

A connector used to join ThinWire Ethernet cable sections.

terminal

A device for entering information into a computer system and displaying it on a screen. A typewriter-like keyboard, mouse, tablet or other pointing device is used to enter information.

terminator

A connector used on one or both ends of an Ethernet segment that provides the 50-ohm termination resistance needed for the cable. A terminator is also required on unused ports and on the end of a SCSI bus to complete the bus.

thickwire Ethernet network

See AUI.

thickwire

An IEEE standard 802.3-compliant Ethernet network made of standard Ethernet cable. Also called standard Ethernet. *Contrast with* ThinWire.

ThinWire Ethernet network

A Digital trademark used to describe its 10BASE2 Ethernet products. *See also* 10BASE2. *Compare with* thickwire Ethernet network.

three-dimensional graphics

Images that are displayed on the screen in 3D. 3D graphics require the use of the PXG+ or the PXG Turbo+ option and Software PEX (software PEX server). Software PEX allows a 3D application to run without specialized 3D hardware.

turn off

The sequence of steps that stops the flow of electricity to a system or its components.

twisted-pair cable

A cable made by twisting together two insulated conductors.

twisted-pair Ethernet network

See 10BASE-T Ethernet network.

TURBOchannel module

High-performance interconnection hardware that allows you to use a variety of Digital and third-party graphics, multimedia, and communications options. The TURBOchannel module is a synchronous asymmetrical I/O channel that connects option modules to the system module. With this connection, the system module and an option module have read or write access to each other, but option modules have no access to other option modules.

two-dimensional graphics

Images that are displayed on the screen in 2D. 2D graphics require the use of the HX 8-plane smart frame buffer TURBOchannel graphics option.

universal strain relief strap

A plastic strap used when connecting the monitor video cable to the back of the monitor. The strap prevents the weight of the cable junction box from pulling the cables out of the BNC connectors.

user interface

The style of interaction between the computer and the user of that computer.

video refresh rate

The speed at which the image on the screen is restored.

VMScluster system

A highly integrated organization of Digital's OpenVMS AXP systems that communicate over a high-speed communications path. VMScluster configurations have all the functions of single-node systems, plus the ability to share CPU resources, queues, and disk storage.

VMS operating system

Digital Equipment Corporation's proprietary operating system.

volatile memory

Memory from which values are lost when the system is turned off.

WAN

See wide-area network.

wide-area network

A high-speed public or private data communications system that connects multiple users in different geographical areas, such as different cities or states. In a WAN, transmissions are carried primarily over telephone lines.

window

An area on your monitor screen in which you can start, run, and view a separate process. Windowing capability is supported by both OpenVMS AXP and DEC OSF/1 AXP workstation software.

work group

Several workstations, connected together on a network, that perform similar tasks and share information or databases.

workstation

A single-user system that offers high-performance, high-resolution graphics, and can function in a network environment.

wrist strap

See antistatic wrist strap.

write-enabled

The condition that enables a tape or diskette to be written to. *Compare with* write-protected.

write-protected

The condition that prevents a tape or diskette from being accidentally overwritten.

Index

<x>, 9-5

A

Alternate console, 12-3

Alternate console switch

- correct setting for alternate console device, 4-9

- correct setting for monitor, 3-16

- location on system unit, 4-9

- moving, 13-21

- port icon, 2-14, 2-18

- wrong position, 13-21

Alternate console/printer port

- pinouts, B-2

- specifications, 12-2

Associated documentation, D-1

Audio capabilities, 1-5

Audio port

- pinouts, B-12

AUI Ethernet network

- connecting cable, 5-4

- network connection procedure, 5-4

- required cable, 5-3

AUI Ethernet port, 1-5

- pinouts, B-8

Austel warning label, 2-10, 2-13

auto_action parameters, 10-5

B

10BASE-T network

- connection procedure, 5-6

- required cable, 5-3

10BASE-T port

- pinouts, B-11

boot command, 9-10

Boot device

- naming convention, 9-9, 10-7

Boot flags

- default, 9-8

- overriding, 9-9

bootdef_dev variable, 10-8

- description, 10-7

- specifying multiple boot devices, 10-7

BOOTP protocol, 9-9, 10-7

boot_def variable

- specifying multiple boot devices, 10-9

C

Cleaning the system, 8-2

Configurations, 1-2

Connecting

- monitor video cable, 3-12

- to a network, 3-5, 4-4

Connecting components

- Ethernet loopback connector, 3-5, 4-4

- keyboard and mouse cables, 3-7

- keyboard/mouse extension cable, 3-6

- monitor video cable to monitor, 3-10

- power cord, 3-14, 4-8

- universal strain relief strap, 3-8

Console commands

- advanced, list of, 9-6

- basic, documented, 9-7

- boot, 9-8, 9-10

- caution in using, 9-2

- continue, 7-8, 9-11

Console commands (cont'd)

- deposit, 9-2
- documentation, 9-2
- halt, 9-11, 9-12
- help, 7-8, 9-12
- help advanced, 7-8, 9-13
- help mips_emulator, 7-8, 9-12
- help set, 7-8, 9-12
- help show, 7-8, 9-12
- overview, 9-6
- printenv, 7-8
- set, 7-8
- set password, 9-14
- set, setenv, 9-14
- show, 7-8, 13-12
- show config, 13-12
- show device, 13-12, 13-15
- show error, 13-12, 13-18
- show memory, 13-12, 13-20
- show, printenv, 9-15
- test, 9-16
- test ni, 5-13
- test ni error, 5-13
- to issue during halt state, 7-8

Console mode, 9-3

- control characters, 9-4
- entering, 7-7
- supported keys, 9-4

Console prompt, 9-4

- described, 6-6

continue command, 7-8, 9-11

Control characters, 9-4

Conventions

- used in this guide, xvii

Cover

- replacing system unit, 6-3

Cover lock

- system unit, 3-17, 4-10

Ctrl/C, 9-5

Ctrl/O, 9-5

Ctrl/Q, 9-5

Ctrl/S, 9-5

D

- 2D Multi-head support, 1-10
- DEC GKS, 1-9
- DEC Open3D software, 1-9
- DEC OSF/1 AXP documentation
 - server, D-7
- DEC OSF/1 AXP operating system, 1-7
 - booting, 9-10
 - general user documentation, D-7
 - login, 6-12
 - migration documentation, D-7
 - startup documentation, D-7
 - system and network management
 - documentation, D-7
 - user documentation, D-7
- DEC PHIGS, 1-9
- DECsound application, 1-13
- DECXM transceiver, 5-3, 5-8
 - documentation, 5-11
- Default boot device, 10-7
- DELNI unit, 5-5
- deposit command, 9-2, 11-8
- DESTA unit, 5-8
 - documentation, 5-11
- Device naming conventions, 9-9, 10-7
- Diagnostic display lights, 14-8
- Diagnostic tests
 - purpose, 14-2
- diag_quick variable
 - description, 10-9
- Digital Services
 - support centers, 14-10
- Disk drives
 - problems, 13-25
- Diskette drive
 - problems, 13-27
- Display
 - when halting a workstation, 7-8
- Documentation
 - console commands, 9-2
 - DEC OSF/1 AXP general user, D-7
 - DEC OSF/1 AXP migration, D-7
 - DEC OSF/1 AXP operating system user, D-7

Documentation (cont'd)

- DEC OSF/1 AXP server, D-7
- DEC OSF/1 AXP startup, D-7
- DEC OSF/1 AXP system and network management, D-7
- DECconnect system, D-6
- drives, D-3
- online, D-1
- printed, D-2
- SCSI, D-4
- TURBOchannel, D-4

Drives

- associated documentation, D-3
- problems, 13-25

E

Environment variables

- auto_action, 10-5
- bootdef_dev, 10-7
- description, 10-2
- diag_quick, 10-9
- displaying values, 10-4
- language, 10-10
- list of, 10-3

Ergonomic considerations, 2-4

Error messages

- described, 13-19
- software, 13-27
- startup, 6-7

Errors

- list of types, 13-4

Ethernet loopback connector

- connecting, 3-5

Ethernet network

- See* AUI Ethernet network

European Economic Community installation, C-2

F

Factory-installed software, 6-2

- identification sticker, 3-13, 4-7
- starting, 6-8

Field replaceable unit

- described, 13-19

FIS

- See* Factory-installed software

Front access door

- removing, 8-6

FRU

- See* Field replaceable unit

FTZ card

- See* German regulatory information, 2-10, 2-13

G

German regulatory information, 2-10, 2-13

Graphics

- multiple 2D devices, 1-10

Graphics capabilities

- with DEC OSF/1 AXP operating system, 1-10
- with OpenVMS AXP operating system, 1-9

H

Halt button

- location, 7-7

halt command, 9-11

Halt message, 7-8

Hardware specifications, A-1

help advanced command, 7-8, 9-13

help command, 7-8, 9-12

help mips_emulator command, 7-8

help set command, 7-8

help show command, 7-8

help show display, 9-13

I

Icons

- See also* Task symbols
- on system unit, 2-22

Installation

- connecting time, 3-2
- connecting time for server, 4-2

Installation (cont'd)

- overview, server, 4-3
- overview, workstation, 3-4
- parts required, 2-9
- required components, 2-12
- tools needed, 3-2

International requirements, C-1, E-1

ISDN, 1-5, 1-11

- B channels, 1-11
- capabilities, 1-11
- D channels, 1-11

ISDN port

- pinouts, B-10

K

Keyboard

- accidental spills, 8-3
- language, 10-10
- problems, 13-24

Keyboard/mouse extension cable

- connecting, 3-6

Keyboard/mouse port

- connecting cable, 3-6
- icon, 2-22
- pinouts, B-7

L

Language

- default, 10-10

Locking

- system unit, 3-19, 4-12

Loopback connector

- connecting, 4-4
- connecting 10BASE-T, 14-13
- connecting alternate console/printer, 14-14
- connecting modem, 14-15

M

Memory

- total megabytes, 1-5

Monitor

- connecting video cable, 3-10
- display problems, 13-8, 13-21, 13-23

Monitor video cable

- connecting, 3-12

MOP protocol, 9-9, 10-7

Mouse

- problems, 13-24

N

Network labels

- use of, 5-2

Network settings, 5-12

Networks

- booting from, 13-28
- connecting to 10BASE-T, 5-6
- connecting to AUI Ethernet, 5-4
- connecting to ThinWire, 5-8
- determining at site, 5-2
- ISDN, 1-11
- required cables and adapters, 5-3
- resolving errors, 13-28
- testing, 5-13

NI test, 5-13

Nonprivileged console commands

- list of, 11-4

O

Open Software Foundation, 1-7

OpenVMS AXP operating system, 1-6

- booting, 9-10
- conversational boot, 6-13
- features, 1-6
- login, 6-9

Operating system

- loading, 6-13
- shutdown procedure, 7-4
- startup procedures, 6-8, 6-13

Operating systems, 1-6

Options

- adding, 1-14
- external, 1-14
- how to order, 1-14
- installing, 1-14
- internal, 1-13
- list of, 1-13
- TURBOchannel, 1-14

Options supported

- information on, 1-8

P

Password security feature, 1-5

- changing the password, 11-9
- definition of, 11-1
- disabling the password, 11-9
- enabling system security, 11-7
- entering a password, 11-5
- erasing, 11-8
- error message, 11-6
- forgetting, 11-8
- lack of functionality, 11-2
- when to use, 11-3

Port locations, 2-14, 2-18

Port pin-outs

- table of, B-1

Power cycling, 12-6

printenv command, 7-8

See show

Privileged console commands

- definition of, 11-3
- list of, 11-4
- losing access to, 11-4

Problems

- determining type, 13-4
- identifying, 13-1, 13-3
- list of types, 13-4

Products supported

- information on, 1-8

Program mode, 9-3

- returning from console mode, 7-9

PTT network user

- special information, E-1

PTT requirements, E-1

R

Rackmount system components

- system unit (front), 2-20
- system unit (rear), 2-18

Rackmounts

- how to order, 1-15

Removing front access door, 8-6

S

SCSI devices

- duplicate IDs, 13-17
- ID numbers, 13-17
- problems, 13-25

SCSI port

- icon, 2-14, 2-18
- pinouts, B-5

SCSI, associated documentation, D-4

Secure console mode

- how to set, 11-2

Secure system jumper, 11-2

Security

- See also Troubleshooting*
- system, 1-5, 11-5

Server

- connecting alternate console device, 4-6
- installation overview, 4-3

Server configuration

- components, 1-4

Service centers, 14-10

set command, 7-8

set language

- display, 10-11

set, setenv command, 9-14

show command, 7-8, 10-4

show config command

- described, 13-14
- error display, 13-13

- show device command, 10–8, 13–15
- show error command, 13–18
- show memory command, 13–20
- show, printenv command, 9–15
- Shutdown, system
 - steps to, 7–3
- Site preparation
 - ergonomics, 2–4
 - system requirements, 2–3
- Software
 - DEC GKS, 1–9
 - DEC Open3D, 1–9
 - DEC PHIGS, 1–9
 - DECsound application, 1–13
 - DECwindows Motif, 1–13
 - XMedia application, 1–13
- Software Product Description (SPD), 1–8
- Space requirements, 2–2
- Standard Ethernet
 - See* AUI Ethernet network
- Startup
 - common errors, 13–9
 - display, 6–5, 6–6
 - error codes, 13–9
 - errors, 6–7, 13–9
 - steps, server, 6–4
 - steps, workstation, 6–4
- Supported keys
 - in console mode, 9–4
- Synchronous/asynchronous communication
 - port pinouts, B–3
- System
 - current states, 7–2
 - features, 1–5
 - overview, 1–3
 - parts, 2–9, 2–12
 - restarting, 12–6
 - security, 11–5
 - shutdown, 7–3
 - specifications, A–2, A–3
 - turning off, 7–1, 7–4
- System components
 - for server, 1–4
 - for workstations, 1–3
 - system unit (front), 2–16

- System components (cont'd)
 - system unit (rear), 2–14
 - unpacking server, 2–11
 - unpacking workstation, 2–8
 - workstation components (fig.), 2–9
- System configuration
 - unpacking, 2–11
- System features
 - audio, 1–12
 - available options, 1–13
 - dimensions, 2–2
 - enclosures, 1–15
 - for server, 1–2
 - for workstation, 1–2
 - graphics capabilities, 1–8
 - highlights, 1–5
- System power cord
 - connecting, 3–14
- System unit
 - back of, 2–14, 2–18
 - cover lock, 3–17
 - dimensions, A–2
 - electrical specifications, A–2
 - environmental specifications, A–4
 - front of, 2–16, 2–20
 - general specifications, A–3
 - hardware specifications, A–1
 - moving, 2–6
 - preparing for diagnostic tests, 14–2
 - symbols on front and rear, 2–22

T

- Task symbols, xviii
- test command, 9–16, 14–4
 - NI, 5–13
 - running single device test, 14–5
- Thickwire
 - See* AUI Ethernet network
- ThinWire network
 - connection procedure, 5–8
 - required cable, 5–3
 - required terminator, 5–3

Troubleshooting

- installed software problems, 13–26
 - keyboard problems, 13–24
 - monitor problems, 13–23
 - network problems, 13–28
 - SCSI device problems, 13–25
 - software on diskette problems, 13–27
 - startup problems, 13–6
- TURBOchannel, 1–5
- associated documentation, D–4
 - options, 1–14
- Twisted-pair network, 1–5

U

- United Kingdom requirements
 See PTT Network Users, E–1
- Universal strain relief strap
 connecting, 3–8

Unpacking

- checking contents, 2–8
- two people required, 2–8, 2–11

V

- Video refresh switch
 correct setting, 3–15

W

- Workstation configuration
 installation overview, 3–4
 steps to install, 3–3
 unpacking, 2–8

X

- XMedia application, 1–13