



EK-KN310-IN. A01

KN310 CPU INSTALLATION CARD

Use this card as a quick reference to install the KN310 CPU module in an AlphaServer DS20 system.

WARNING: CPU modules and memory modules have parts that operate at high temperatures. Wait 2 minutes after power is removed before touching any module.

CAUTION: Wear an antistatic wrist strap when working on this system.

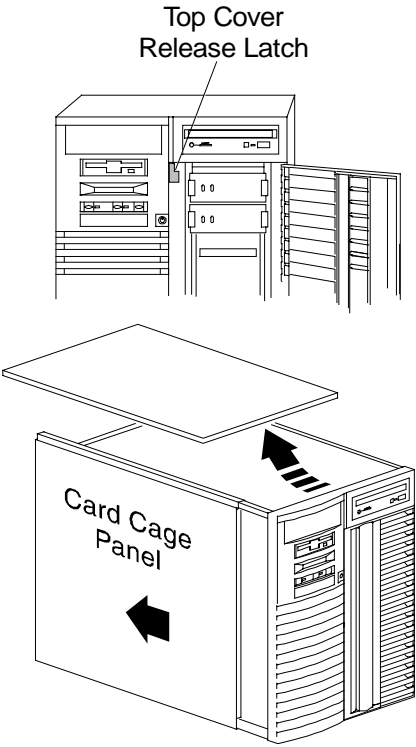
Overview

- Open the pedestal cabinet.
- Install the CPU module.
- Verify the installation.

Open the Pedestal Cabinet

1. Shut down the operating system and power down the system.
2. Unplug the power cord(s).
3. Remove the covers to gain access to the system card cage. See Figure 1.
 - a. Unlock and open the front door.
 - b. Pull the top cover latch down to release the latch.
 - c. Using the groove at the rear of the top cover, pull the cover back about two inches, and lift off.
 - d. Pull the card cage panel back and lift it away from the cabinet.

Figure 1 Opening the Pedestal Cabinet

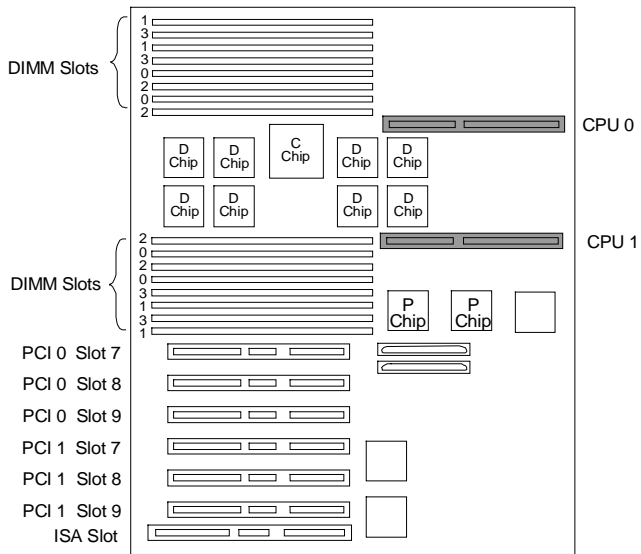


PK1476-98

CPU Slot Location

The second CPU goes in the slot labeled CPU 1.

Figure 2 CPU Slot Locations on System Board

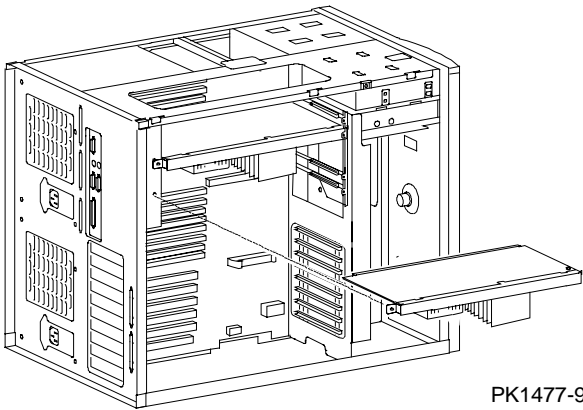


PKW1401A-98

Install the CPU

1. Slide the CPU module into the CPU slot. Be sure the edges of the module are in both guides so that it correctly lines up with the slot on the system board.
2. Firmly press the module into the connector.
3. Secure the module to the card cage frame with the two screws on the handle.
4. Replace the side and then the top cover.
5. Plug the power cords in.

Figure 3 CPU Installation



PK1477-98

Verification – DIGITAL UNIX and OpenVMS Systems

- Issue the **show CPU** command to display the status of the CPU modules.

Verification – Windows NT Systems

1. Start AlphaBIOS Setup, select “Display System Configuration,” and press Enter.
2. Using the arrow keys, select “Systemboard Configuration” to display the status of the new module.

Part numbers for options can be found on the Internet. Using a Web browser, follow links to the appropriate AlphaServer supported options list from the URL:

<http://www.digital.com/info/alphaserver/products.html>