

# DEC 4000 Model 600 Series

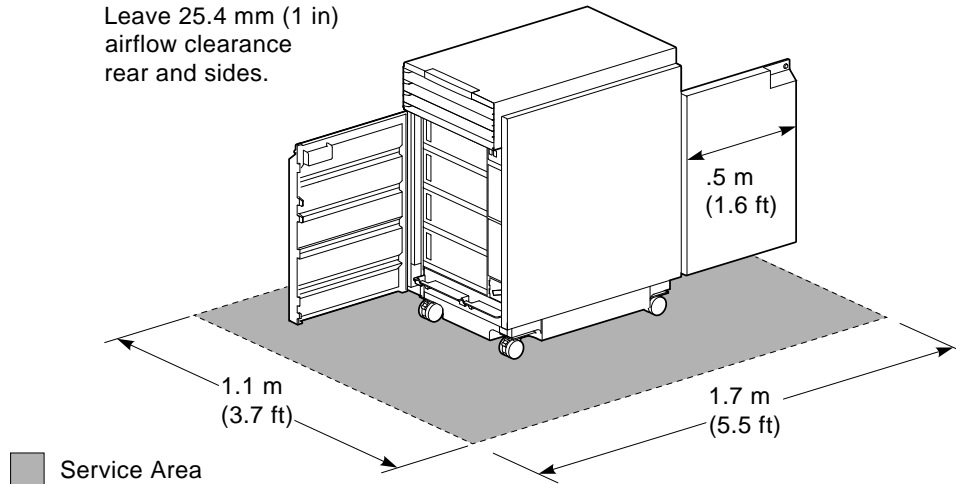
**digital**



## Site Preparation Checklist

- Assess Your System Requirements**
- Assess Your Power Cord Requirements**
- Check Shipment Dimensions For Proper Clearance**
- Assure Adequate Space for Unpacking System**

## Assess Your System Requirements



MLO-008843

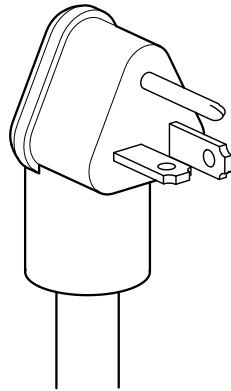
Specification	Measurement
Height	883 mm (35 in)
Width	499 mm (20 in)
Depth	775 mm (31 in)
Weight	124 kg (275 lb) max
Operating temperature	10–35°C (50–95°F)
Relative humidity (noncondensing)	20–80%
Heat dissipation	@1400 W, 4774 Btu/hr
Minimum airflow clearance	25.4 mm / 1 in (rear and sides)
Max operating altitude	2438 m (8000 ft)
Max power consumption	1650 W
Operating power range (1 phase)	104 VAC to 128 VAC / 208 VAC to 256 VAC
Power cord length	2.4 m (8 ft)
Declared operating acoustic level	LWAd = 6.7 B /LpAm = 49 dB A DEC 4000 with 4 RF73s, ISO 9296

The DEC 4000 power system automatically senses the proper operating voltage range.

**Note:** The DEC 4000 system requires a dedicated 20-ampere circuit with a single power outlet for 120-volt systems.

## Assess Your Power Cord Requirements

120-volt, 20-ampere plug



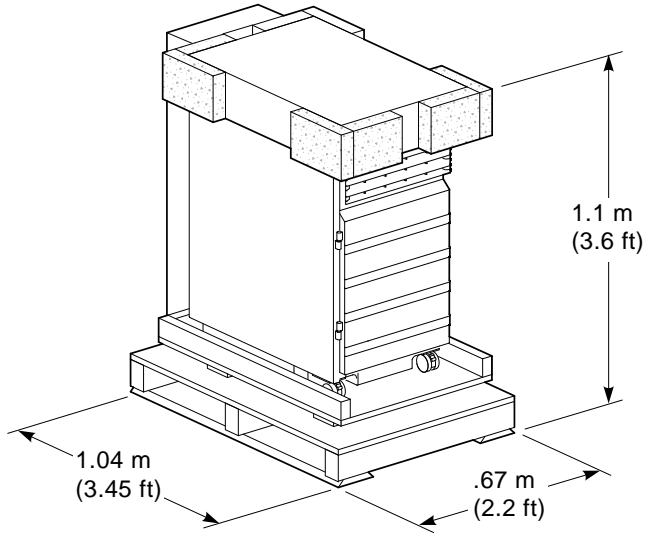
MLO-009363

One of the following country-specific power cords will be shipped with your DEC 4000 system:

BN Number	Digital Number	Country
BN20B-XX	17-00083-XX	U.S., Japan, Canada
BN27L-XX	17-00198-XX	Australia, New Zealand Central European (Aus, Bel, Fra, Ger, Fin, Hol, Nor, Swe, Por, Spa)
BN27Q-XX	17-00209-XX	U.K., Ireland
BN27G-XX	17-00210-XX	Switzerland
BN27K-XX	17-00310-XX	Denmark
BN27J-XX	17-00364-XX	Italy
BN27P-XX	17-00456-XX	India, South Africa
BN27N-XX	17-00457-XX	Israel

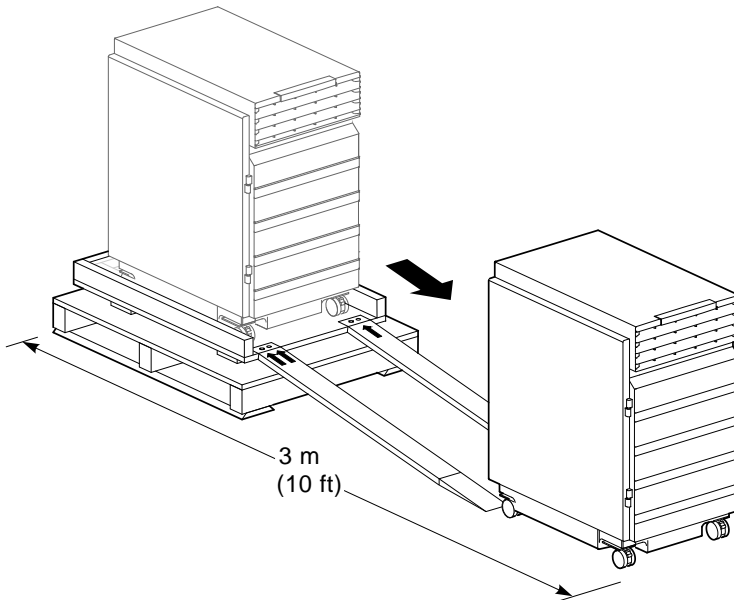
**Note:** XX indicates that a country-specific number is used.

## Check Shipment Dimensions for Proper Clearance



MLO-008856

## Assure Adequate Space for Unpacking System



MLO-008844