



EK-MS340-IN. A01

## MEMORY OPTION INSTALLATION CARD

Use this card as a quick reference to install MS340-XX memory options in an AlphaServer DS20 system.

*WARNING: CPU modules and memory modules have parts that operate at high temperatures. Wait 2 minutes after power is removed before touching any module.*

*CAUTION: Wear an antistatic wrist strap when working on this system.*

### Overview

- Open the pedestal cabinet.
- Install the memory option.
- Verify the installation.

### Before You Begin

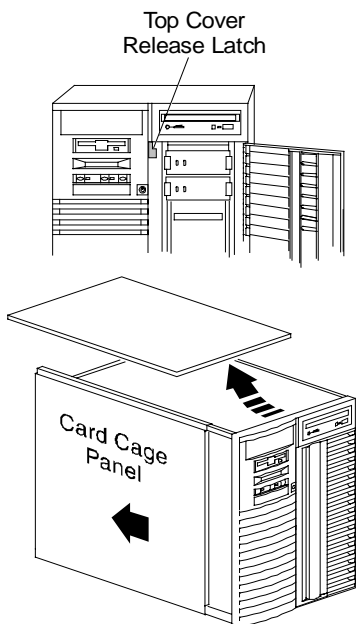
Keep these points in mind when installing a memory option or replacing a memory module:

- The four modules in a memory option must be the same size. However, the options within a system box can be a mix of sizes.
- Memory options are installed in specific slots designated for each option.

### Open the pedestal cabinet

1. Shut down the operating system and power down the system.
2. Unplug the power cord(s).
3. Remove the covers to gain access to the system card cage. See Figure 1.
  - a. Unlock and open the front door.
  - b. Pull the top cover latch down to release the latch.
  - c. Using the groove at the rear of the top cover, pull the cover back about two inches, and lift it off.
  - d. Pull the card cage panel back and lift it away from the cabinet.

**Figure 1 Opening the Pedestal Cabinet**



PK1476-98

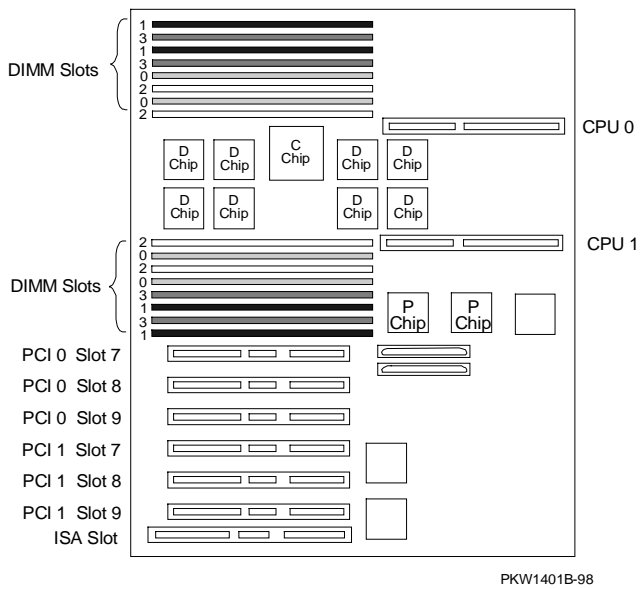
### **Configuration Rules**

- A memory option consists of four DIMMs.
- All four DIMMs in an option must be the same size.
- Convention places the largest memory option in slots marked 0 on the system board. See Figure 2.  
Convention also calls for other memory options to be the same size or smaller than the first memory option.
- Memory options must be installed in slots designated for each bank. The first bank goes into slots marked 0, the second bank into slots marked 1, and so on.

### **Memory Slot Location**

Figure 2 shows the location of the 16 DIMM slots in the AlphaServer DS20. Two of the four DIMMs in each option go above the D chips and two go below the D chips. When installing additional memory, place DIMMs in the four slots labeled with the same slot number.

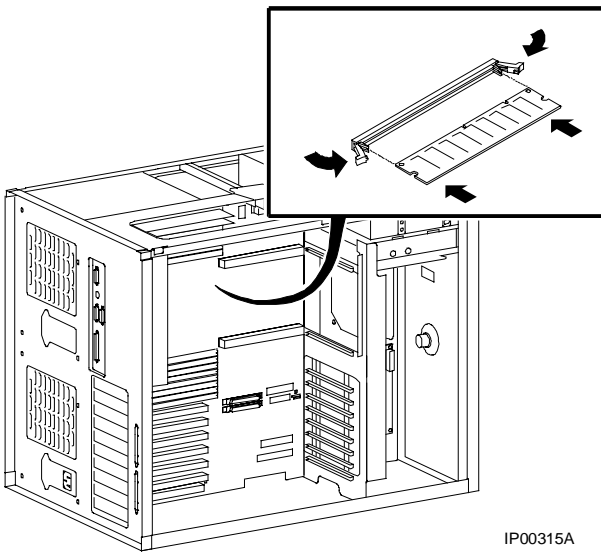
**Figure 2 Memory Slot Locations on the System Board**



### Memory Option Installation

1. If necessary, remove either CPU to access the DIMM slots necessary for the installation.
2. Identify the slot locations for the option you are installing. See Figure 2.
3. Open each memory connector by pushing the levers outward. See Figure 3.
4. Align each DIMM in the connector and press down. The connector levers close.

**Figure 3 Memory Card Installation**



IP00315A

### **Verification – DIGITAL UNIX and OpenVMS Systems**

- Issue the **show memory** command to display the status of the system memory.

### **Verification – Windows NT Systems**

1. Start AlphaBIOS Setup, select “Display System Configuration,” and press Enter.
2. Using the arrow keys, select “Memory Configuration” to display the status of the system memory.

Part numbers for options can be found on the Internet. Using a Web browser, follow links to the appropriate AlphaServer supported options list from the URL:  
<http://www.digital.com/info/alphaserver/products.html>