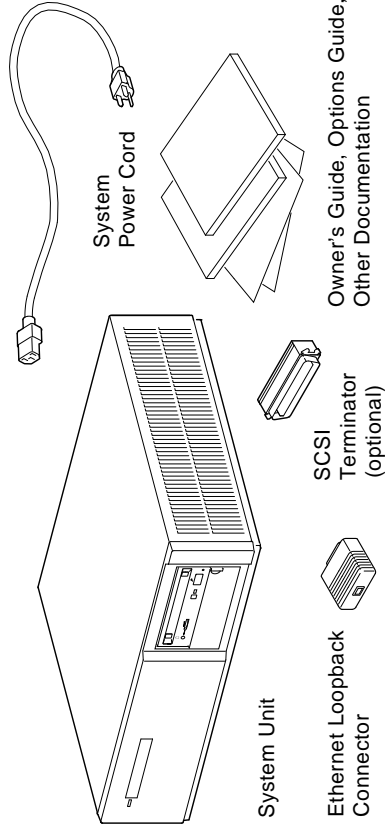
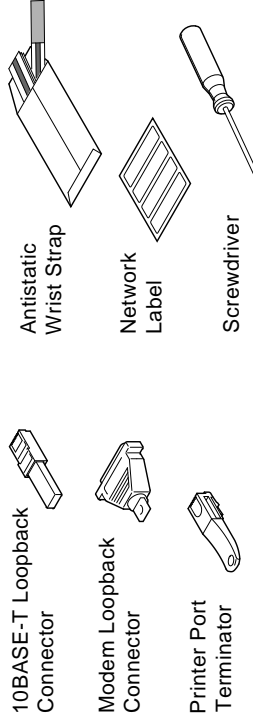


# 1. Selecting the Items You Need

Use these items for installation...

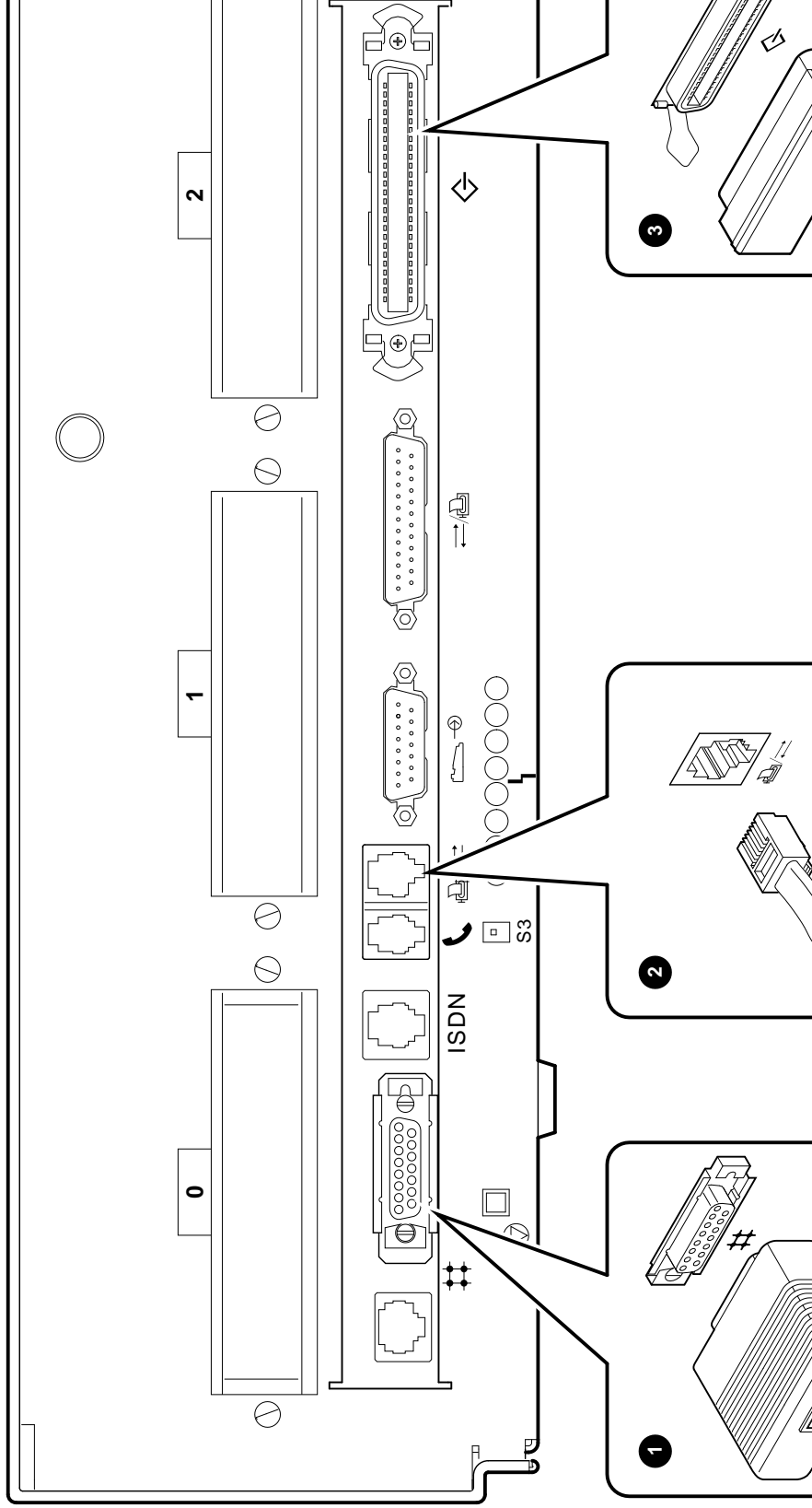


Save these items for use later...



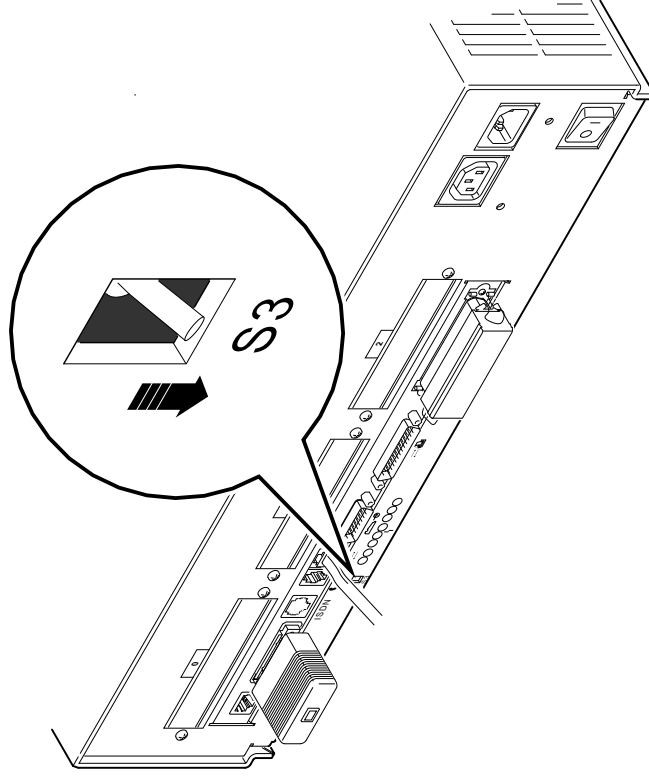
## 2. Connecting the Rear Cables and Connectors

Step:	Connect the...	To the...	Please n
1	Ethernet loopback connector	AUI Ethernet port	Required for system startup
2	Alternate console cable	Alternate console/printer port	
3	SCSI terminator	SCSI port	SCSI terminator can be ord
4	System power cord	System power socket	Yellow label indicates factor



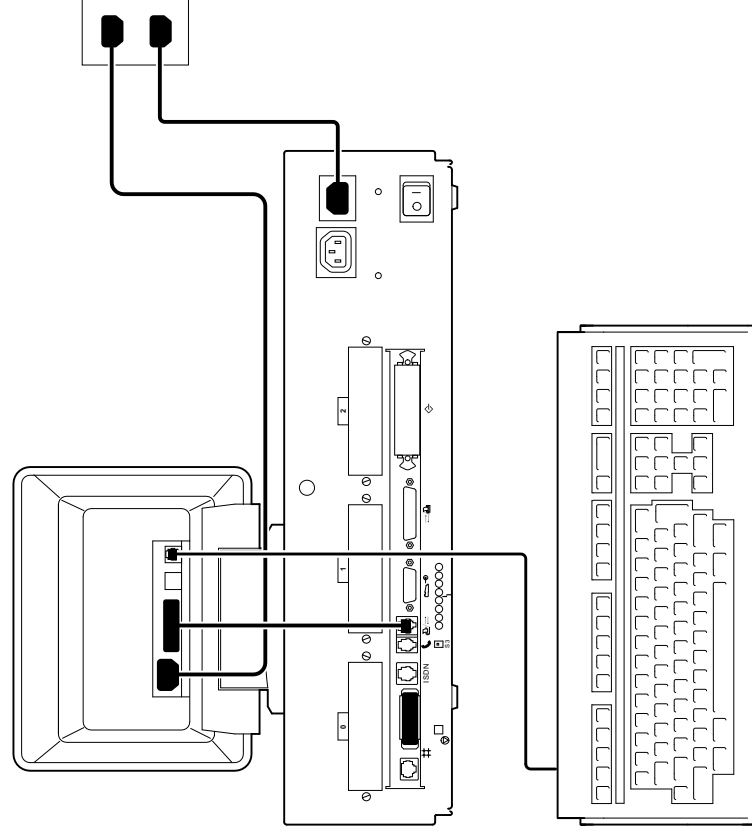
### 3. Checking the Alternate Console Switch Position

Check to make sure that the alternate console switch, marked S3, is in the down position as shown.



## 4. Connecting to Power Outlet

Make sure that the system unit power On/Off switch is in the off (O) position before plugging the other end of the power cord into a power outlet of the correct voltage. Check your connections as shown.

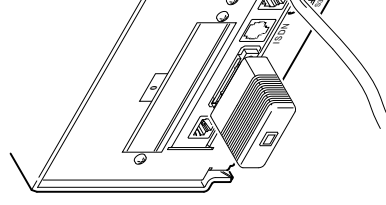


## 5. Starting the System

Turn on the system in the following order:

1. Terminal or printer
2. Any expansion box
3. System unit

The system unit power On/Off switch is in the off (O) position.



## 6. Operating System Information

If there was a yellow sticker covering the system power socket, your system has been preloaded with operating system software.

<b>If you...</b>	<b>Then refer to...</b>
Ordered OpenVMS Alpha AXP operating system	<i>OpenVMS Factory-Installed Software User Information</i> , provided with your system.
Ordered DEC OSF/1 AXP operating system	<i>DEC OSF/1 AXP Factory-Installed Software User Information</i> , provided with your system.
Need more detailed information about installing or starting your system	<i>DEC 3000 Model 600/600S/700 AXP Owner's Guide</i> , provided with your system.