

DIGITAL AlphaServer 4000/4100 Series  
Illustrated Parts Breakdown

Order Number: EK-4100S-IP. B01

**Digital Equipment Corporation**  
**Maynard, Massachusetts**

Digital Equipment Corporation reserves the right, without notice, to make substitutions and modifications in the specifications of products documented in this manual and further reserves the right to withdraw any of these products from the market without notice.

Digital Equipment Corporation is not responsible for errors which may appear in the technical description (including illustrations and photographs) of the products covered by this manual.

None of the descriptions contained in this manual imply the granting of any license whatsoever to make, use or sell equipment constructed in accordance therewith.

Restricted Rights: Use, duplication or disclosure by the U.S. Government is subject to restrictions as set forth in subparagraph (c) (1) (ii) of the Rights in Technical Data and Computer Software clause at DFARS 252.227-2713.

Copyright ©1996, 1997 by Digital Equipment Corporation. All rights reserved.  
Printed in U.S.A.

The following are trademarks of Digital Equipment Corporation :  
AlphaGeneration, AlphaServer, DIGITAL UNIX, Open VMS, StorageWorks, ThinWire and the DIGITAL logo.

The following are third party trademarks:  
Microsoft and Windows NT are registered trademarks of Microsoft Corporation.

#### **Reader's Comments**

DIGITAL welcomes your comments on this manual.  
You can send your comments to DIGITAL at the address below:

Digital Equipment Corporation  
Technical Consulting Services  
129 Parker Street  
PKO3-2/T32  
Maynard, MA 01754-2199

Please reference EK-4100S-IP. B01 in your correspondence.

# ILLUSTRATED PARTS BREAKDOWN

## AlphaServer 4000/4100 Series

**ILLUSTRATED PARTS BREAKDOWN (IPB)**

The IPB is used to identify a part and its location in a hardware product. The document references specific item numbers in the associated parts list.

**HOW TO USE THE IPB**

1. Locate the figure containing the item of interest.
2. Locate the number (callout) of the item of interest.
3. Locate that item number in the associated parts list.

**FORMAT**

Each IPB is generally organized based on its first figure. All other assemblies and subassemblies are referenced from this figure. Each figure contains numeric callouts of all major parts (items).

**PARTS LIST**

Each parts list contains the following:

**Figure and Item No.** – Lists the figure number and its referenced numeric callout

**Description** – Presents the name and a brief description of the item. A single asterisk (\*) preceding the description denotes item is a

subassembly to its referenced figure. A double asterisk (\*\*) preceding the description indicates that this item is subordinate to the preceding single asterisk item.

**Digital Part No.** – Lists the DIGITAL/Vendor part number. The letter in the column heading indicates the current revision level of the Engineering Drawing for the referenced figure.

**ECO Cut-In** – Lists the top assembly drawing number and revision level at first printing. All additional revisions to an item are listed in this column.

**Used On Code** – Lists letters referring to the product variation assigned in Figure 1. When this column is blank, the item is used in all variations.

**Ref Fig No.** – Lists a cross reference between figures within the IPB.

**PART NUMBER/PART DESCRIPTION INDEX SECTION**  
Lists items by part number numerically, and description alphabetically. Items are also referenced to a location within the IPB by figure and item number.

**ECO/REVISION HISTORY**

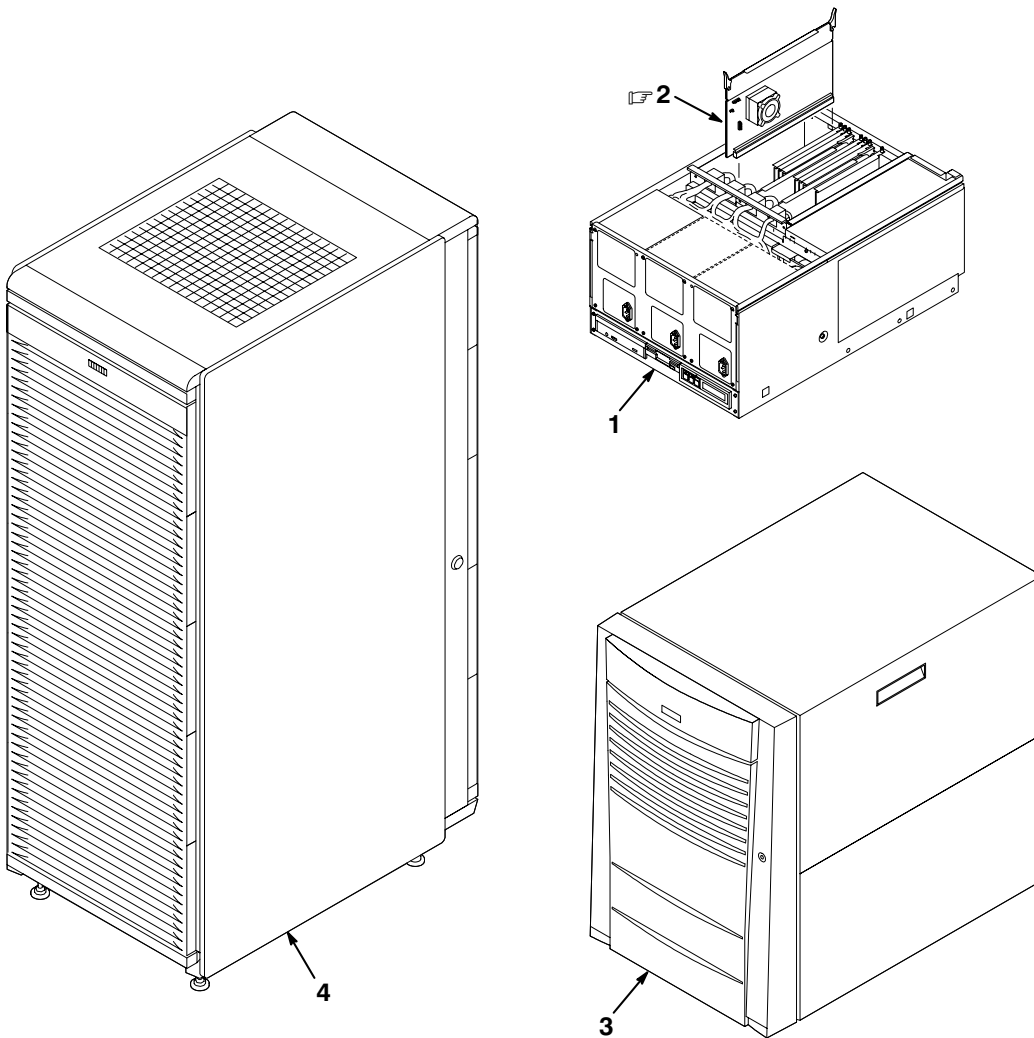
**OTHER IPB MANUALS REFERENCED**

FIGURE NO.	ASSEMBLY	INITIAL LEVEL	CURRENT LEVEL	PRINTING DATE	OTHER IPB MANUALS REFERENCED
1	301AA	00000	00000	JUNE 97	N/A
1	302AA	00000	00001		
1	304AA	00002	00002		
1	301CA	00000	00000		
1	302CA	00001	00001		
1	304CA	00001	00001		
1	304BA	00000	00000		
2	BA30A	00000	00005		
3	BA30B	00000	00000		
4	BA30C	00001	00002		
5	BA30P	00000	00006		
6	H9A10	00001	00005		
7	H9A10-EL/EM	00000	00000		



  INDICATES FRU LEVEL PARTS.

PARTS LIST 



IP-301AA-01

**Figure 1. AlphaServer 4000/4100 Series**

FIG. & ITEM NO.	DESCRIPTION	DIGITAL PART NO.	ECO CUT-IN	USED ON CODE	REF FIG NO.
1-	AlphaServer 4000/4100 Series				
A	AlphaServer 4100 Model EV5 Uncached CPU (300 MHz)	301AA-AB		A	
B	AlphaServer 4100 Model EV5 1MB Cached CPU (300 MHz)	302AA-AA		B	
C	AlphaServer 4100 Model EV5 2MB Cached CPU (300 MHz)	302AA-AB		C	
D	AlphaServer 4100 Model EV5.6 2MB Cached CPU (300 MHz)	304AA-AB		D	
E	AlphaServer 4100 Model EV5.6 4MB Cached CPU (400 MHz)	304AA-AC		E	
F	AlphaServer 4100 Model EV5.6 4MB Cached CPU (466 MHz)	304AA-AD		F	
H	AlphaServer 4100 Model EV5.6 2MB Cached CPU (300 MHz)	304AA-BB		H	
J	AlphaServer 4100 Model EV5.6 4MB Cached CPU (400 MHz)	304AA-BC		J	
K	AlphaServer 4100 Model EV5.6 4MB Cached CPU (466 MHz)	304AA-BD		K	
L	AlphaServer 4000 Model EV5.6 Uncached CPU (300 MHz)	301CA-AB		L	
M	AlphaServer 4000 Model EV5 2MB Cached CPU (300 MHz)	302CA-AB		M	
N	AlphaServer 4000 Model EV5.6 4MB Cached CPU (400 MHz)	304CA-AC		N	
P	AlphaServer 4000 Model EV5.6 4MB Cached CPU (466 MHz)	304CA-AD		P	
R	AlphaServer 4000 Model EV5.6 2MB Cached CPU (300 MHz)	304BA-AB		R	
S	AlphaServer 4000 Model EV5.6 4MB Cached CPU (400 MHz)	304BA-AC		S	
T	AlphaServer 4000 Model EV5.6 4MB Cached CPU (466 MHz)	304BA-AD		T	
1	*ENCLOSURE ASSY., BA30A w/o Mezzanine	BA30A-AA		A-F	2
	*ENCLOSURE ASSY., BA30A w/Mezzanine	BA30A-BA		HJK	2
	*ENCLOSURE ASSY., BA30B w/o Mezzanine	BA30B-AA		RST	3
	*ENCLOSURE ASSY., BA30B w/o Mezzanine	BA30B-AB		RST	3
	*ENCLOSURE ASSY., BA30B w/Mezzanine	BA30B-BA		RST	3
	*ENCLOSURE ASSY., BA30B w/Mezzanine	BA30B-BB		RST	3
	*ENCLOSURE ASSY., BA30C	BA30C-AA		LMNP	4

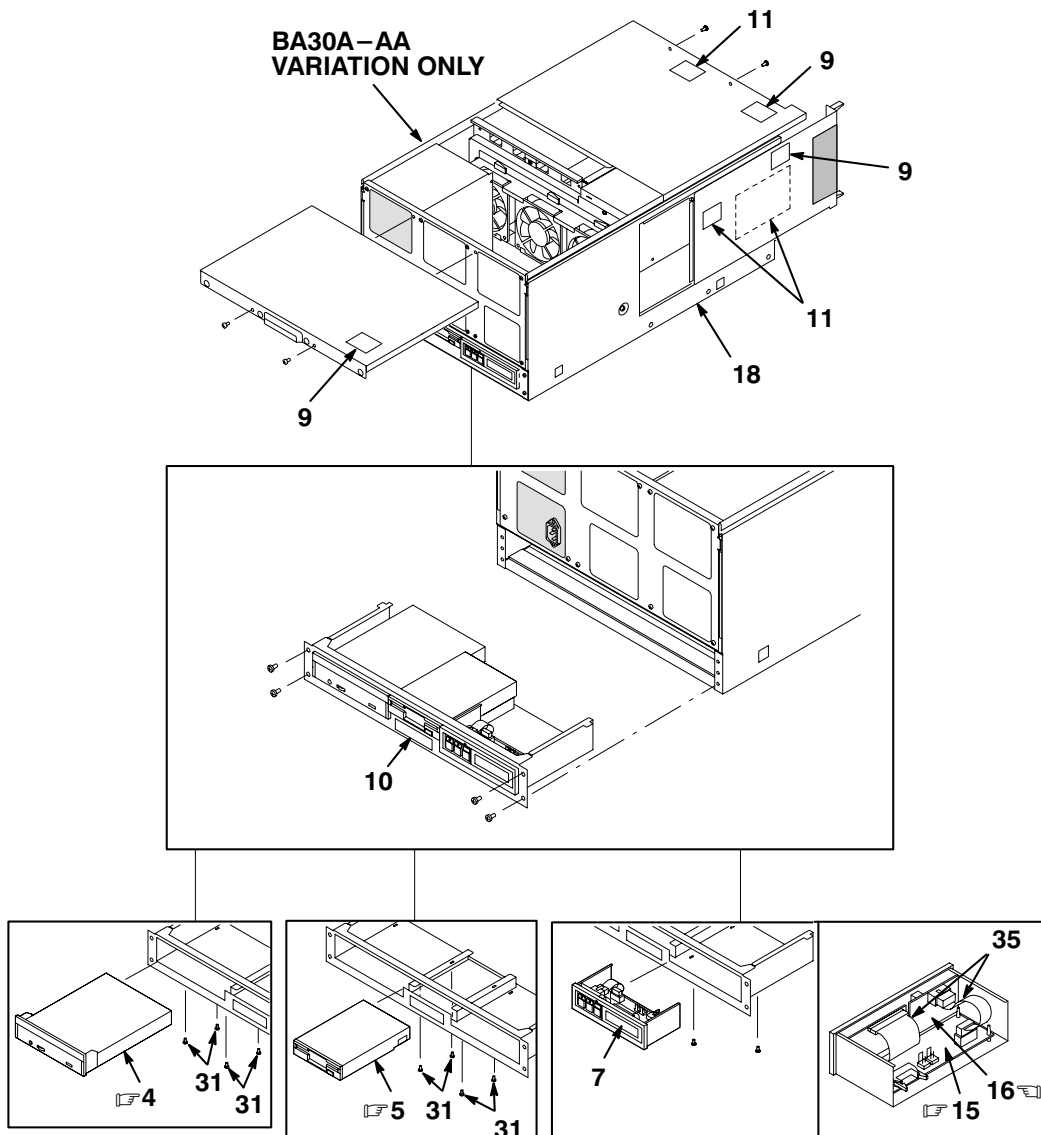
FIG. & ITEM NO.	DESCRIPTION	DIGITAL PART NO.	ECO CUT-IN	USED ON CODE	REF FIG NO.
1-	AlphaServer 4000/4100 Series (continued)				
2	*Module, Uncached CPU w/MC Bus (300 MHz)	B3001-CA		AL	
	*Module, Cached CPU w/MC Bus 1MB (300 MHz)	B3002-AA		B	
	*Module, Cached CPU w/MC Bus 2MB (300 MHz)	B3002-AB		CM	
	*Module, Cached CPU w/MC Bus 4MB (400 MHz)	B3004-AA		EJNS	
	*Module, Cached CPU w/MC Bus 2MB (300 MHz)	B3004-BA		DHR	
	*Module, Cached CPU w/MC Bus 4MB (466 MHz)	B3004-DA		FKPT	
	PEDESTAL ASSEMBLIES (See Note)				
3	PEDESTAL ASSEMBLY, BA30P	BA30P-AA			5
	PEDESTAL ASSEMBLY, BA30P	BA30P-BA			5
	PEDESTAL ASSEMBLY, BA30P	BA30P-CA			5
	PEDESTAL ASSEMBLY, BA30P	BA30P-DA			5
	PEDESTAL ASSEMBLY, BA30P	BA30P-AB			5
	PEDESTAL ASSEMBLY, BA30P	BA30P-BB			5
	PEDESTAL ASSEMBLY, BA30P	BA30P-CB			5
	PEDESTAL ASSEMBLY, BA30P	BA30P-DB			5
	CABINET ASSEMBLIES (See Note)				
4	CABINET ASSEMBLY, 1.7M x 600 MM (RETMA) (U.S./Japan) (240V)	H9A10-EB			6
	CABINET ASSEMBLY, 1.7M x 600 MM (METRIC) (Europe) (240V)	H9A10-EC			6
	CABINET ASSEMBLY, 1.7M x 600 MM (RETMA) (U.S./Japan) (240V)	H9A10-ED			6
	CABINET ASSEMBLY, 1.7M x 600 MM (METRIC) (Europe) (240V)	H9A10-EE			6
	CABINET ASSEMBLY, 1.7M x 600 MM (RETMA) (U.S./Japan) (120V)	H9A10-EL			7
	CABINET ASSEMBLY, 1.7M x 600 MM (METRIC) (Europe) (240V)	H9A10-EM			7
	NOTE: These Items Are Not Part Of This Assembly And Are Shown For Reference Only.				





INDICATES FRU LEVEL PARTS.

PARTS LIST

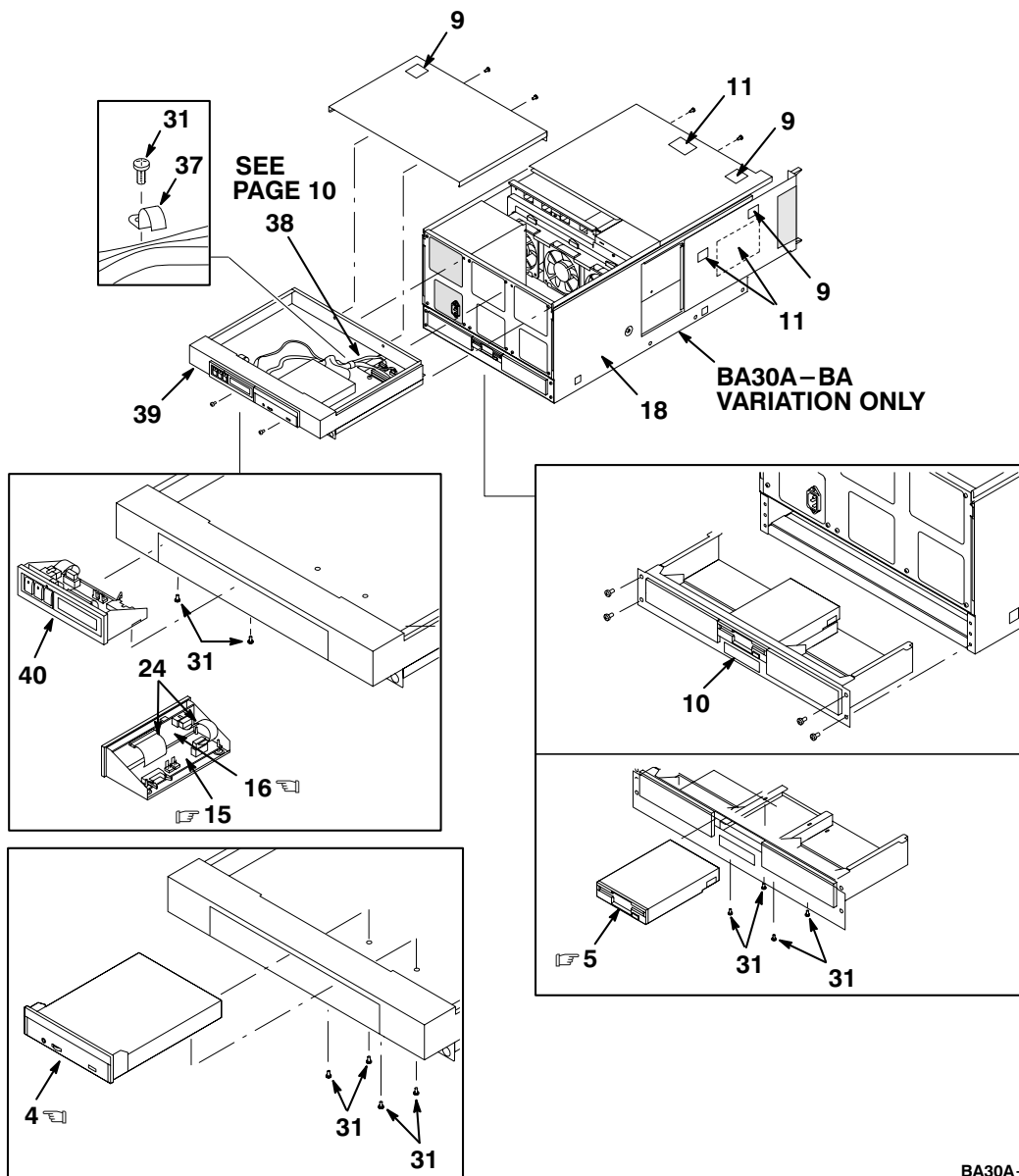


BA30A-01

Figure 2. Enclosure Assembly, BA30A (Sheet 1 of 6)

INDICATES FRU LEVEL PARTS.

PARTS LIST

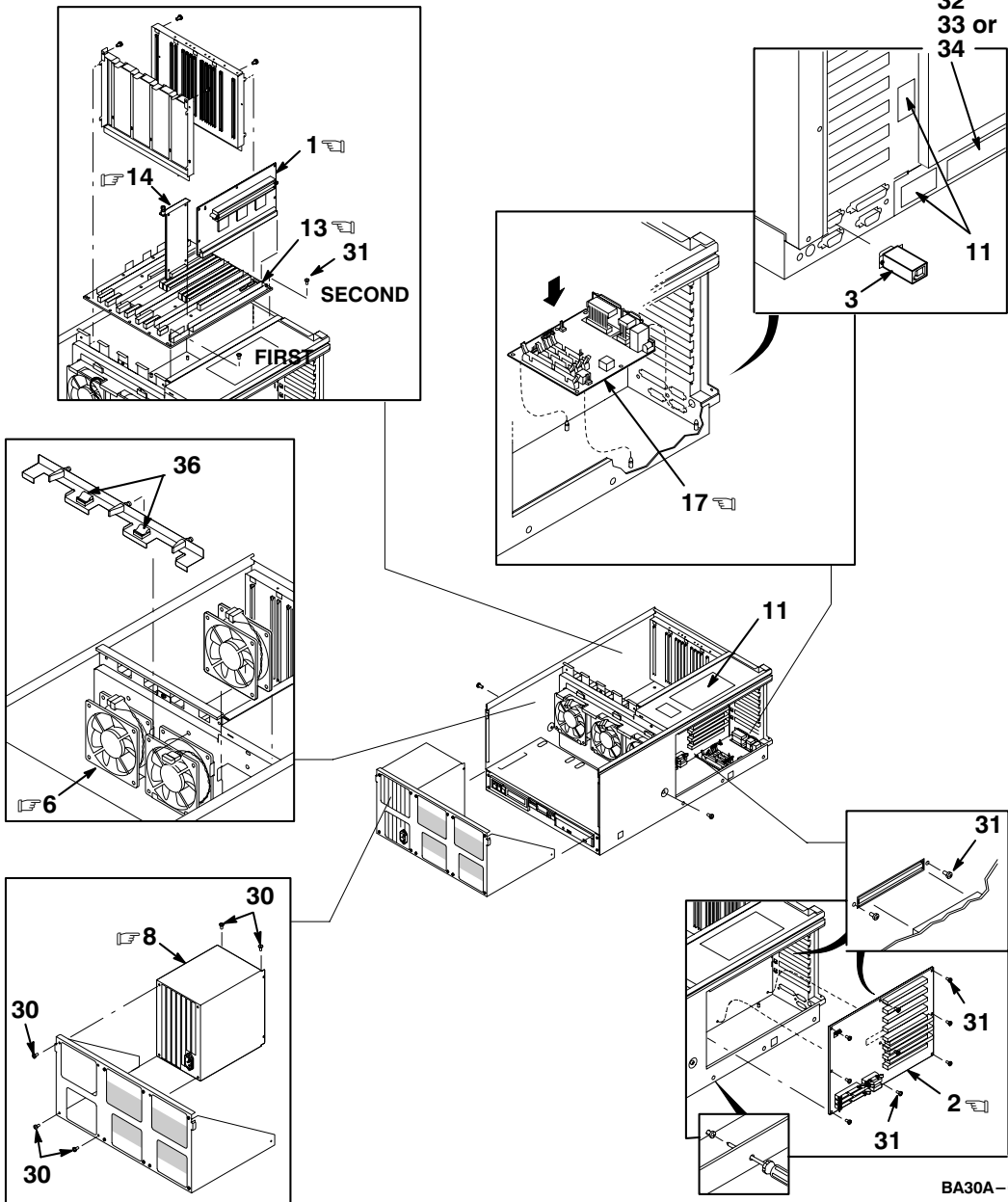


BA30A-02

Figure 2. Enclosure Assembly, BA30A (Sheet 2 of 6)

INDICATES FRU LEVEL PARTS.

PARTS LIST

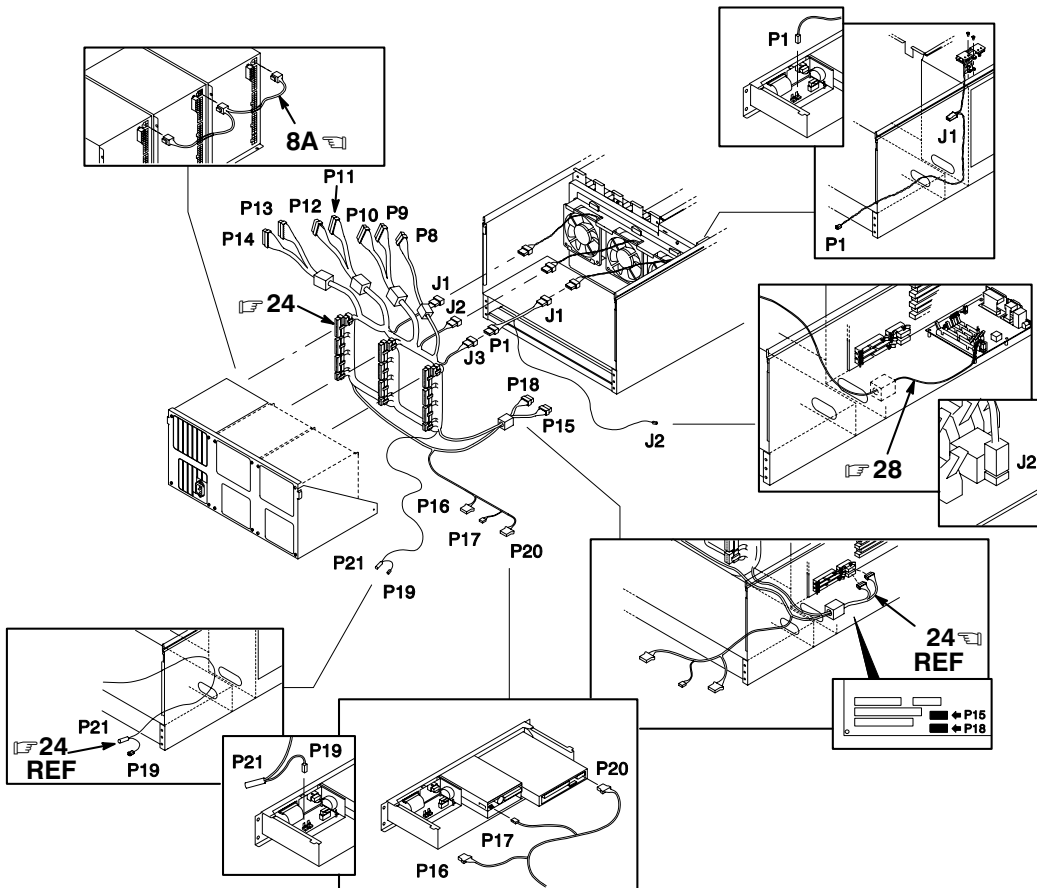


BA30A-03

Figure 2. Enclosure Assembly, BA30A (Sheet 3 of 6)

INDICATES FRU LEVEL PARTS.

PARTS LIST

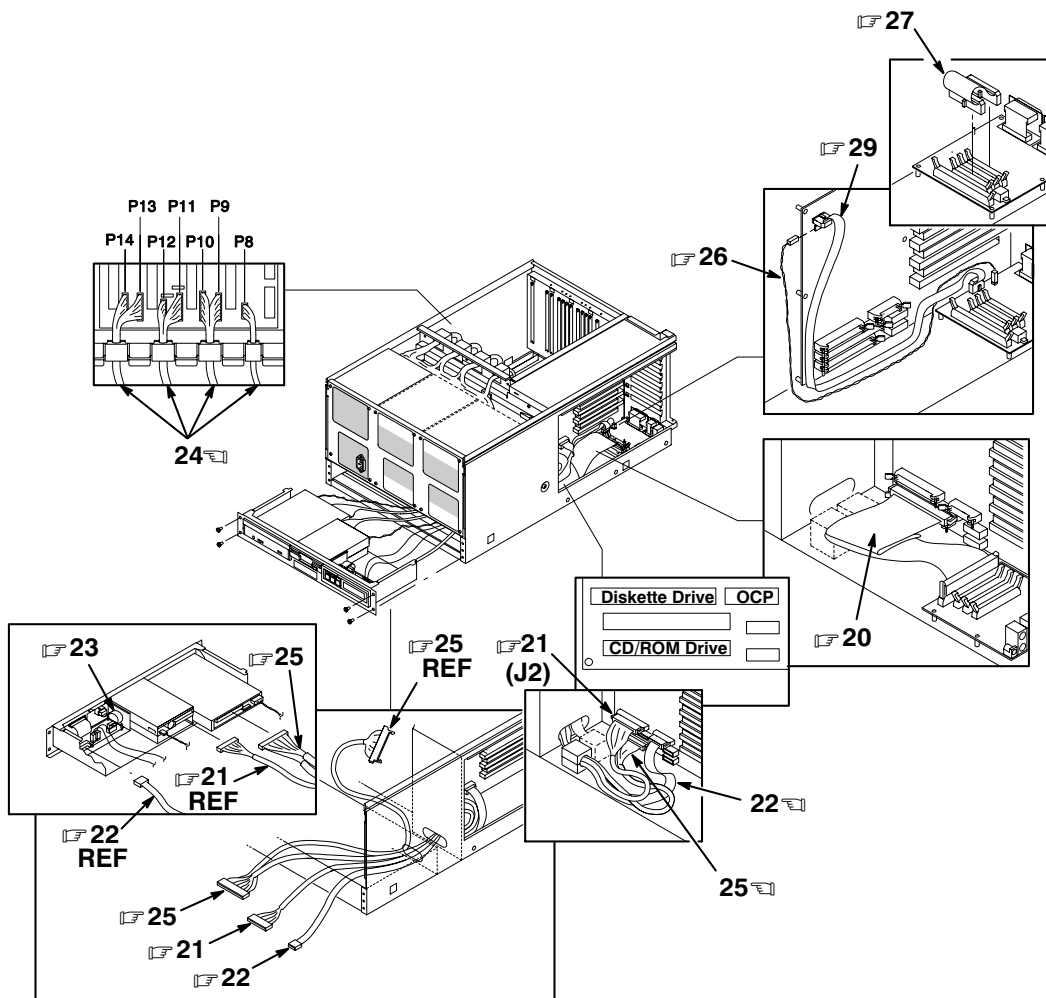


BA30A-04

Figure 2. Enclosure Assembly, BA30A (Sheet 4 of 6)

INDICATES FRU LEVEL PARTS.

PARTS LIST

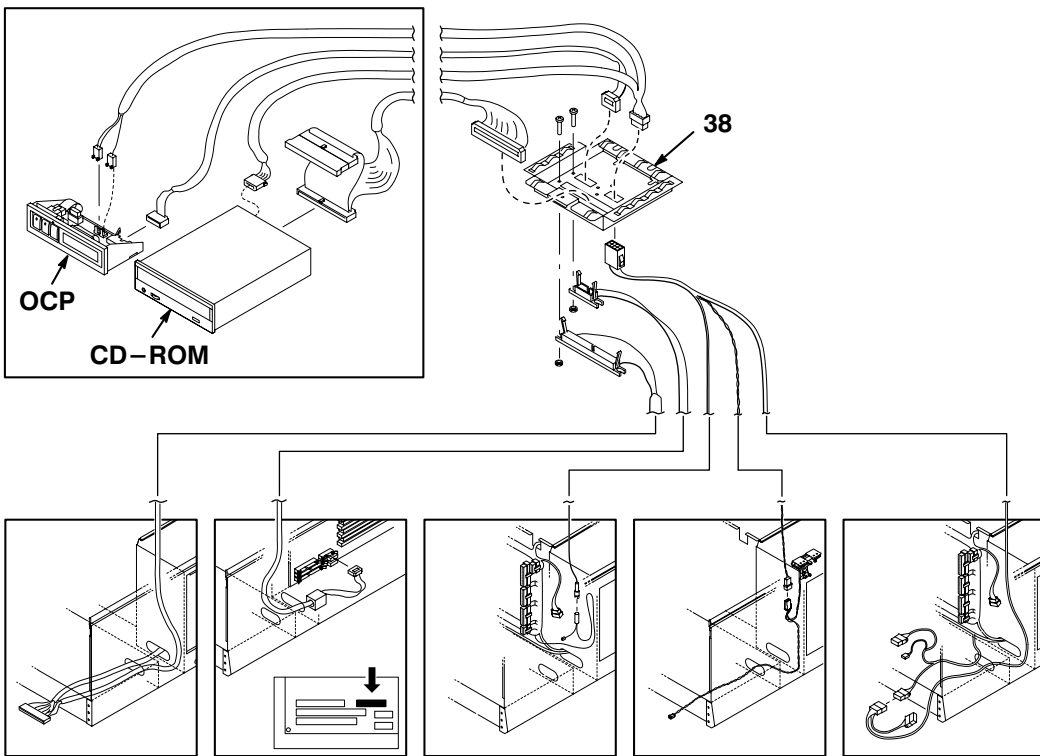


BA30A-05

Figure 2. Enclosure Assembly, BA30A (Sheet 5 of 6)

INDICATES FRU LEVEL PARTS.

PARTS LIST



BA30A-06

Figure 2. Enclosure Assembly, BA30A (Sheet 6 of 6)

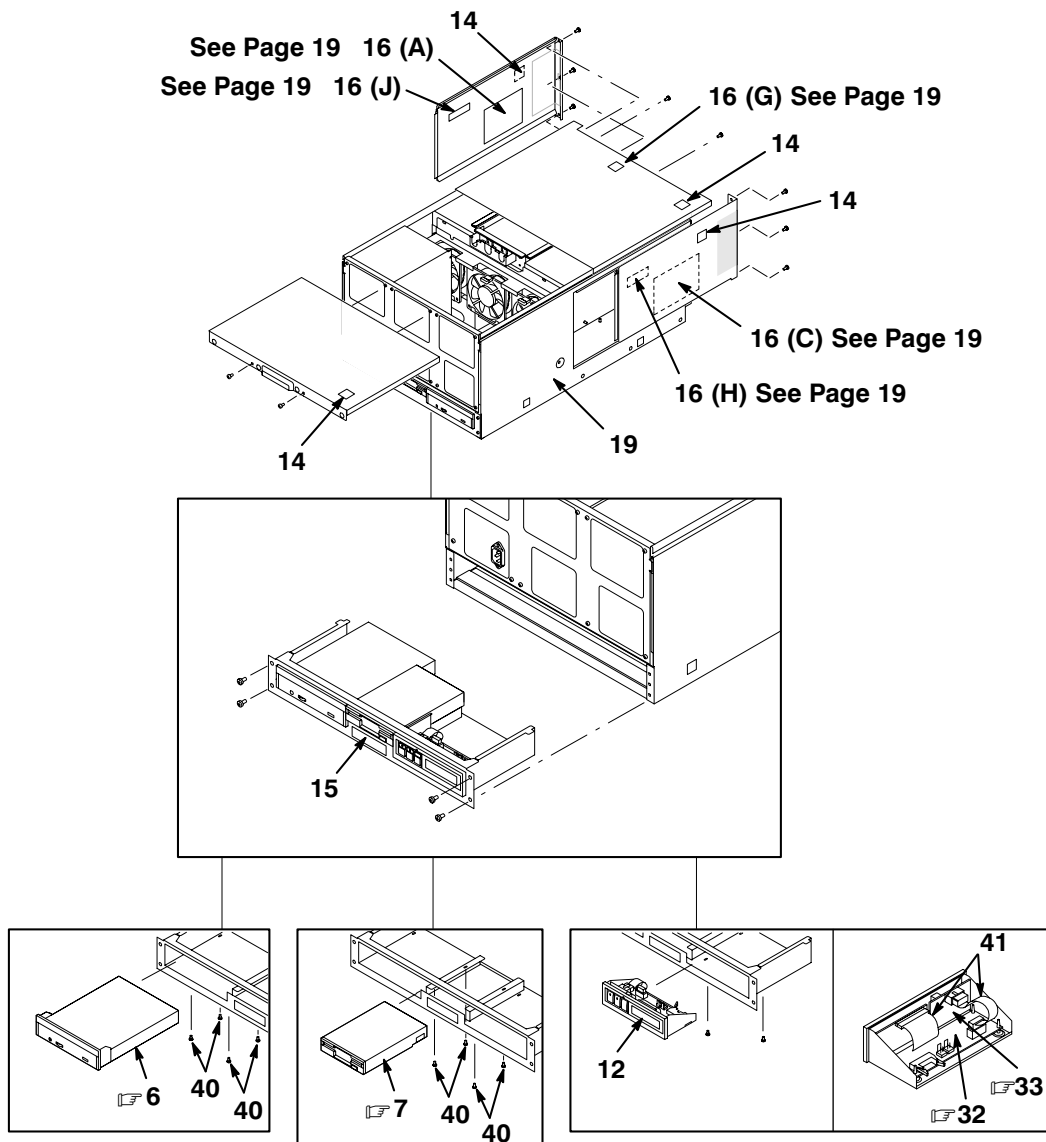
FIG. & ITEM NO.	DESCRIPTION	DIGITAL PART NO.	ECO CUT-IN BA30A 00005	USED ON CODE	REF FIG NO.
2- A	ENCLOSURE ASSEMBLY, BA30A w/o Mezzanine	BA30A-AA		A	1
B	ENCLOSURE ASSEMBLY, BA30A w/Mezzanine	BA30A-BA		B	1
1	*Module, MC Bus to PCI Bus Bridge	B3040-AA			
2	*Module, I/O Bus	B3050-AA			
3	*Adapter, DECstation 2000, 9-Pin Serial	H8571-J			
4	*CD-ROM (12X)	RRD46-AB			
5	*Disk Drive (1.44 MB)	RX23L-AB			
6	*Fan (4 1/2 Inch)	12-23609-21			
7	*LCD LED Backlite	30-43049-01			
8	*Power Supply 92-264V	30-44712-01			
8A	**Cable, Current Share	17-04199-01			
9	*Label, "Caution/Disconnect" Icon	36-41956-01			
10	*Label, "Enclosure" Logo	36-45161-01			
11	*Label, "I/O" Memory Slot Numbers	36-46176-01			
12	*Package Assembly (Not Shown)	37-01522-02		A	
	*Package Assembly (Not Shown)	37-01522-03		B	
13	*Module, IIP System	54-23803-01			
14	*Module, Power Control	54-24117-01			
15	*Module, OCP Logic	54-24364-01			
16	*Module, OCP Switch	54-24366-01			
17	*Module, Server Control	54-24674-01			
18	*CHASSIS ASSEMBLY	70-31961-01			
19	**KIT, CABLE ASSEMBLY (Not Shown)	22-13569-01			
20	***Cable, RIO	17-04196-01			
21	***Cable, Floppy Signal, 34 Pos.	17-04200-01			
22	***Cable, OCP to Saddle, 10 Pos. (800 mm)	17-04201-01			
23	***Cable, OCP Switch Board	17-04201-02			
24	***Cable, Power Harness	17-04217-01			
25	***Cable, SCSI CD-ROM to Bulkhead	17-04292-01			
26	***Cable, SCM (Jumper, 12V)	17-04349-01			
27	***Cable, SCM (34 Pos. Jumper)	17-04350-01			
28	***Cable, SCM (Power Jumper, 12V)	17-04351-01			
29	***Cable, SCM (16 Pos. Jumper)	17-04363-01			
30	*Screw, Sems M4 Pan 8 mm	90-09984-19			
31	*Screw, Sems M3 Pan 6 mm	90-09984-20			
32	*Label, "Regulatory" (Singapore)	36-47685-04			
33	*Label, "Regulatory" (U.S.)	36-47685-02			
34	*Label, "Regulatory" (U.K.)	36-47685-03			
35	*Tie, Cable	90-11096-01			
36	*Clamp, Cable (Adhesive Mount)	90-09636-00			

FIG. & ITEM NO.	DESCRIPTION	DIGITAL PART NO.	ECO CUT-IN BA30A 00005	USED ON CODE	REF FIG NO.
2-	ENCLOSURE ASSEMBLIES (continued)				
37	*Clamp, Cable (w/Mounting Hole)	12-47062-02		B	
38	*Bulkhead, Cable Assembly	70-32020-01		B	
39	*Weldment, OCP Housing	70-31990-01		B	
40	*OCP Assembly	70-31989-02		B	
41	*Power Cord 125V (Not Shown)	17-00606-02			
42	*Cable, Power Cord (Not Shown)	17-04285-02			



INDICATES FRU LEVEL PARTS.

PARTS LIST

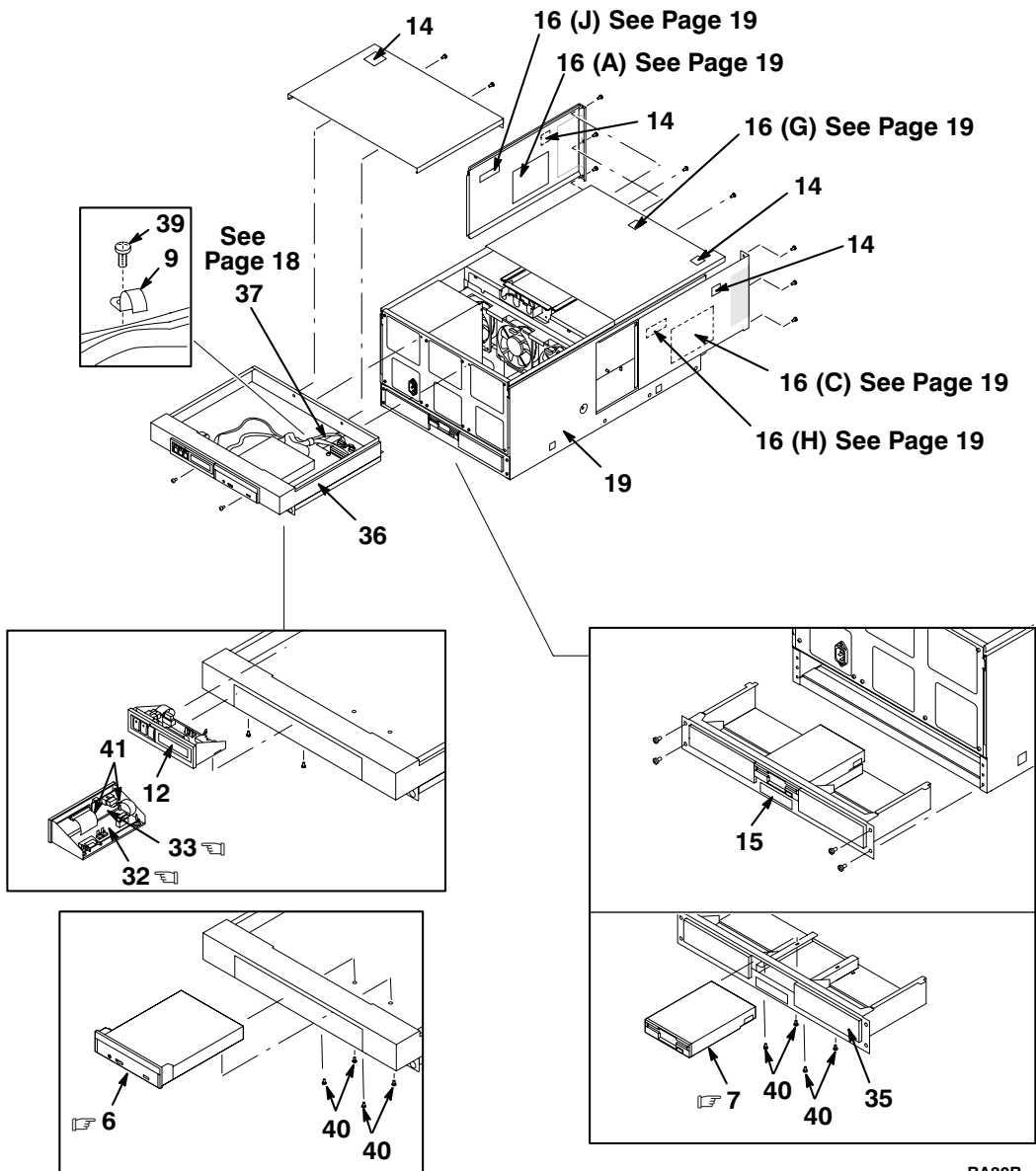


BA30B-01

Figure 3. Enclosure Assembly, BA30B (Sheet 1 of 7)

INDICATES FRU LEVEL PARTS.

PARTS LIST

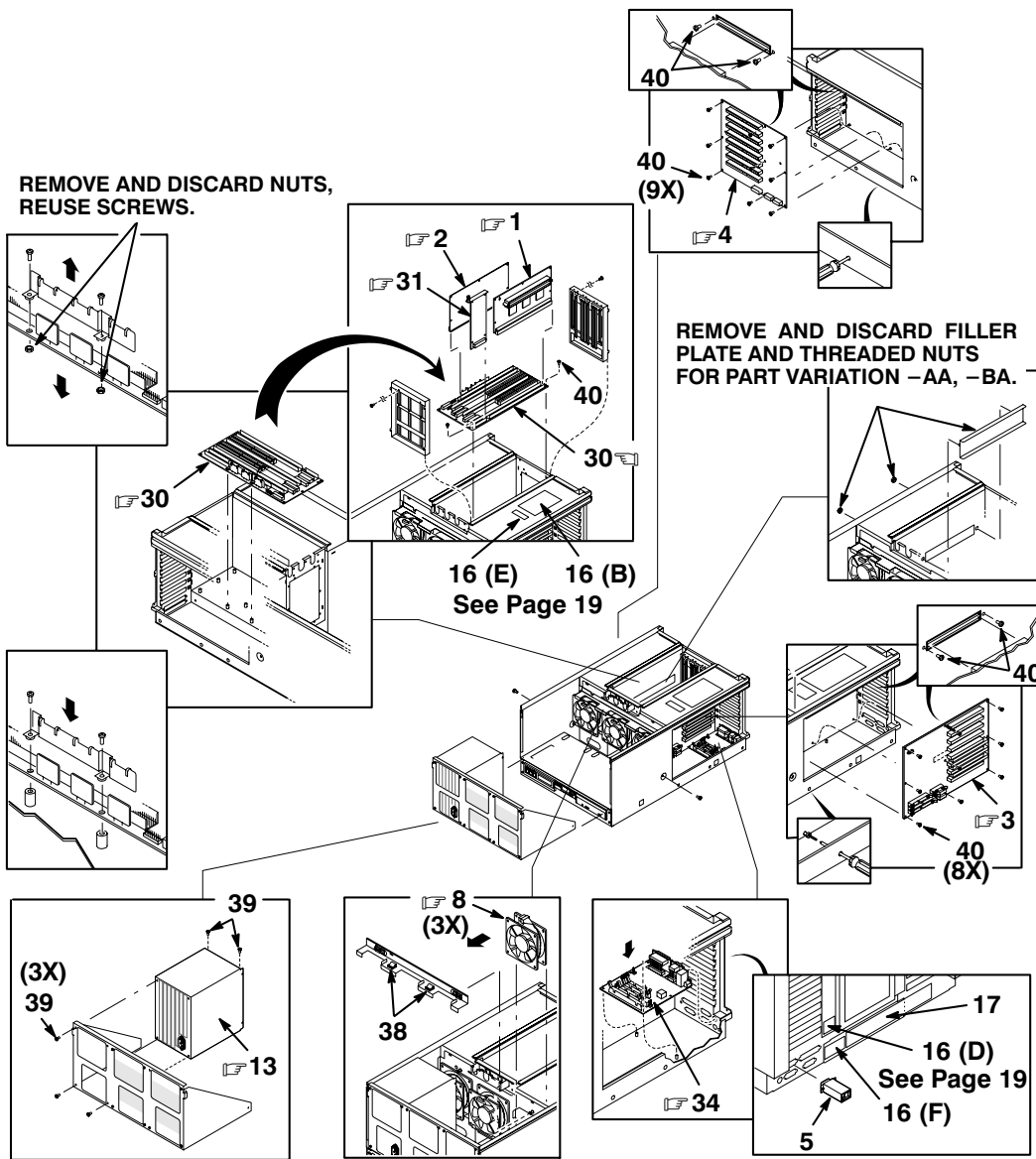


BA30B-02

Figure 3. Enclosure Assembly, BA30B (Sheet 2 of 7)

INDICATES FRU LEVEL PARTS.

PARTS LIST

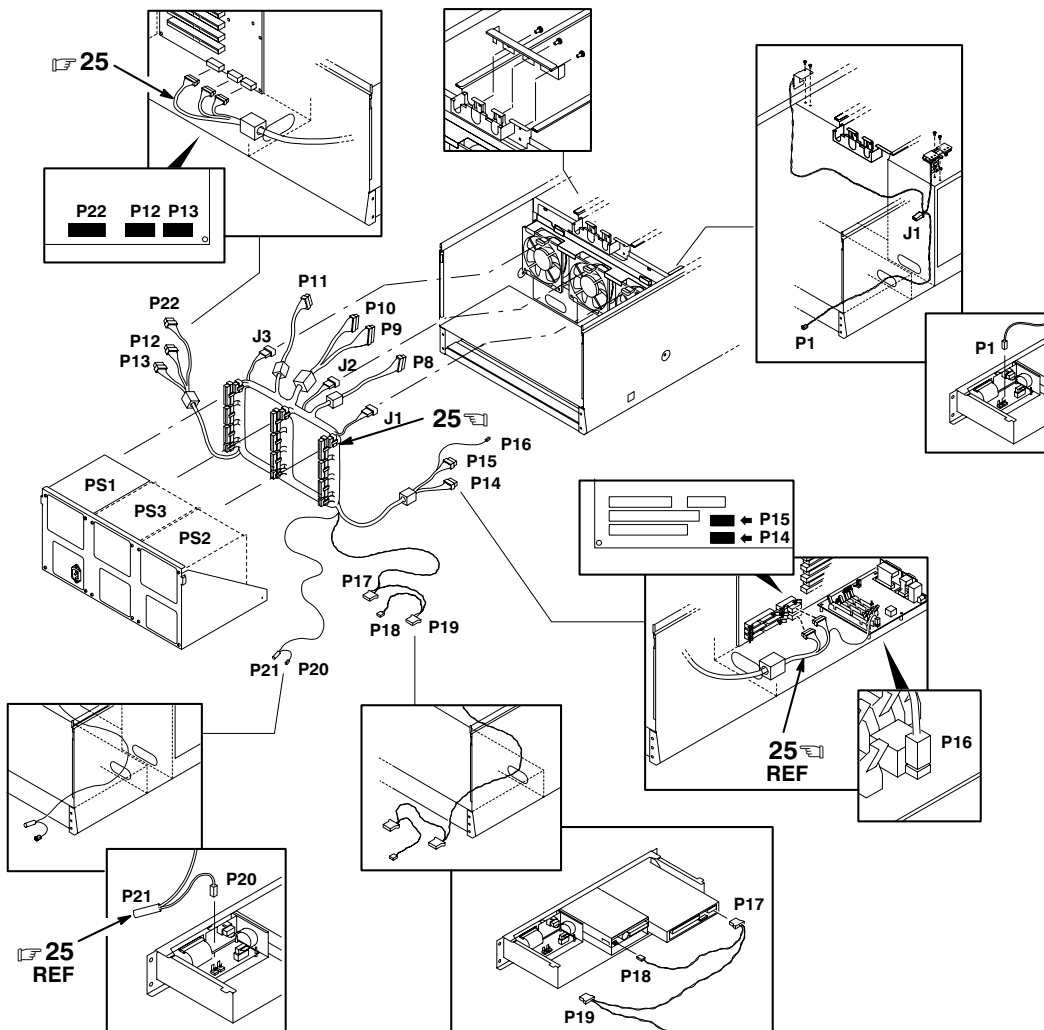


BA30B-03

Figure 3. Enclosure Assembly, BA30B (Sheet 3 of 7)

☞ ☞ INDICATES FRU LEVEL PARTS.

PARTS LIST

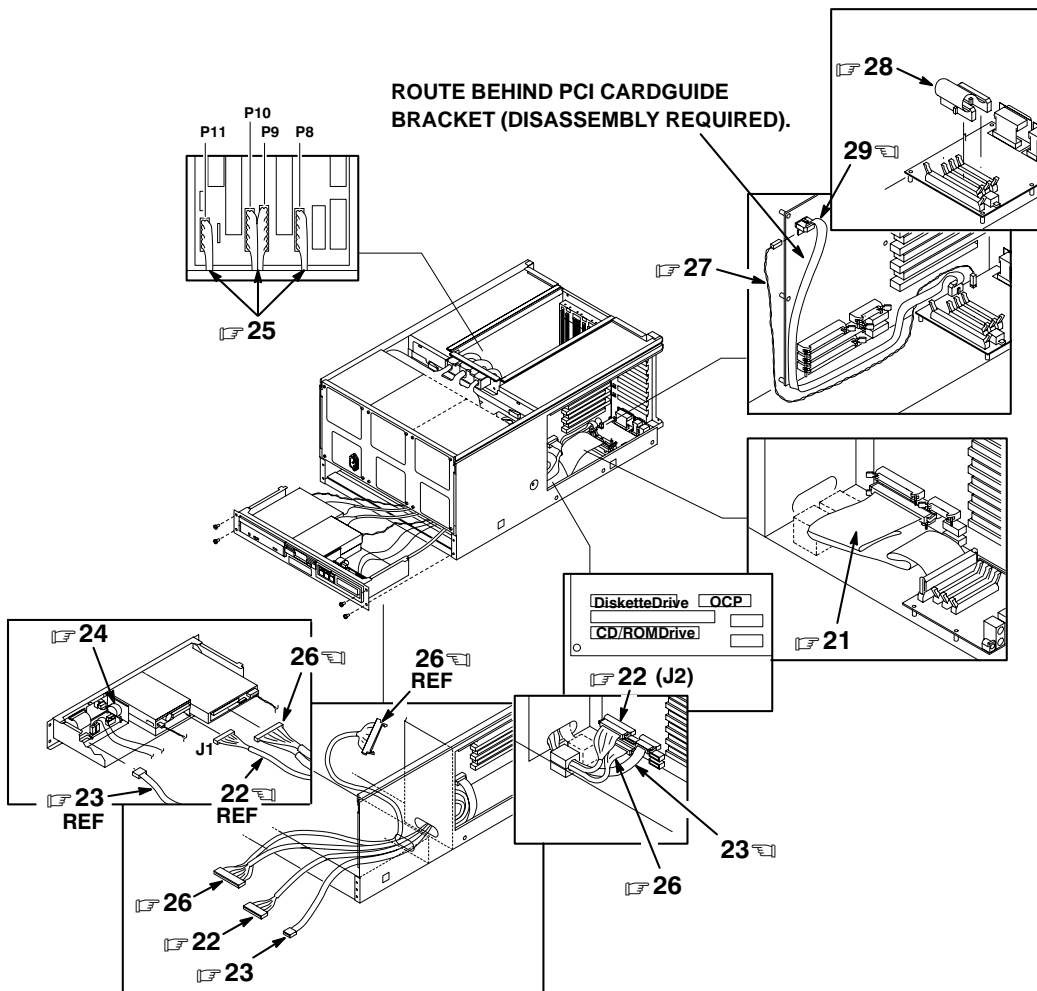


BA30B-04

Figure 3. Enclosure Assembly, BA30B (Sheet 4 of 7)

INDICATES FRU LEVEL PARTS.

PARTS LIST

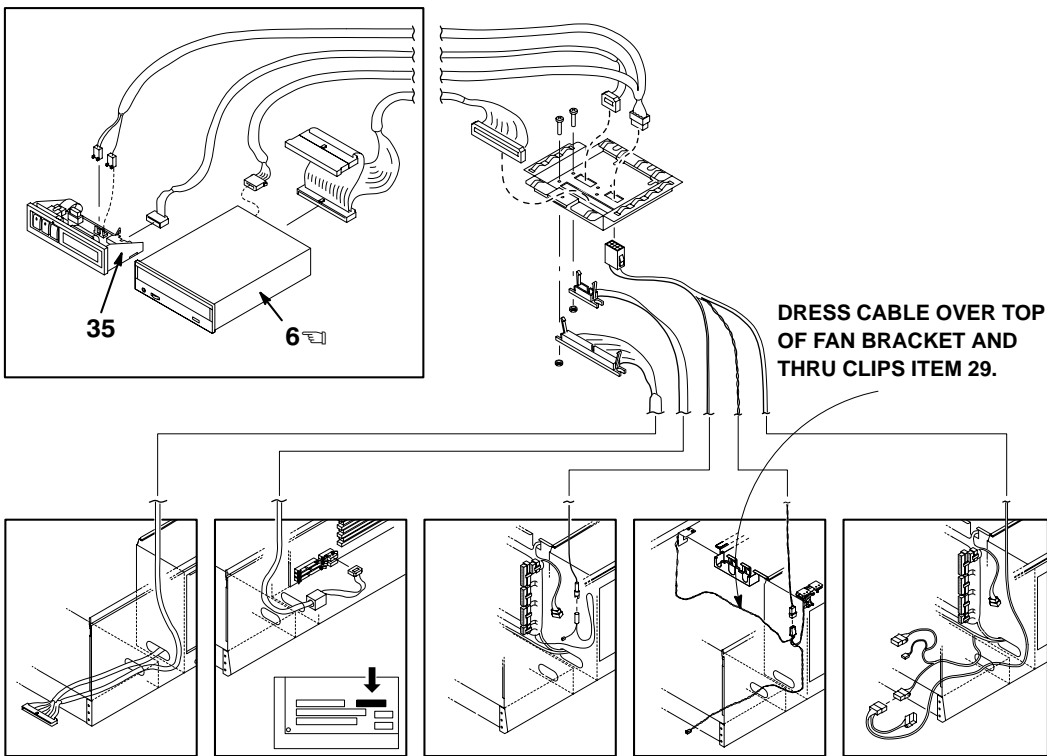


BA30B-05

Figure 3. Enclosure Assembly, BA30B (Sheet 5 of 7)


INDICATES FRU LEVEL PARTS.

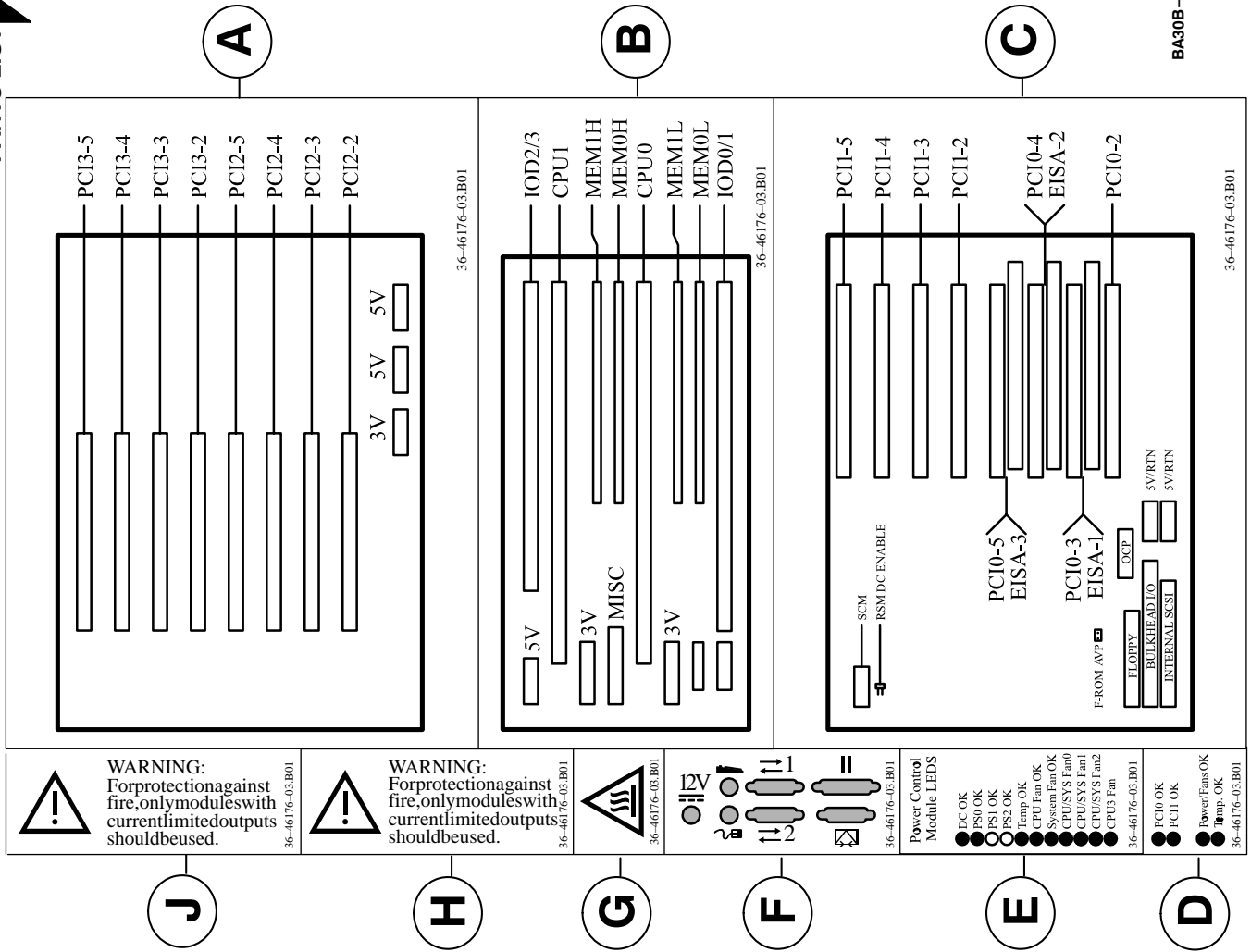
PARTS LIST



BA30B-06

Figure 3. Enclosure Assembly, BA30B (Sheet 6 of 7)

ITEM NO. 16 **PARTS LIST** 



BA30B-07

Figure 3. Enclosure Assembly, BA30B (Sheet 7 of 7)

FIG. & ITEM NO.	DESCRIPTION	DIGITAL PART NO. <sup>A</sup>	ECO CUT-IN BA30B 00000	USED ON CODE	REF FIG NO.
3- A	ENCLOSURE ASSEMBLY, BA30B w/o Mezzanine	BA30B-AA		A	1
B	ENCLOSURE ASSEMBLY, BA30B w/o Mezzanine	BA30B-AB		B	1
C	ENCLOSURE ASSEMBLY, BA30B w/Mezzanine	BA30B-BA		C	1
D	ENCLOSURE ASSEMBLY, BA30B w/Mezzanine	BA30B-BB		D	1
1	*Module, MC Bus to PCI Bus Bridge	B3040-AA			
2	*Module, MC Bus to PCI Bus Bridge	B3040-AB		AC	
3	*Module, I/O Bus	B3050-AA			
4	*Module, I/O Bus	B3051-AA		AC	
5	*Adapter, DECstation 2000, 9-Pin Serial	H8571-J			
6	*CD-ROM (12X)	RRD46-AB			
7	*Disk Drive (1.44 MB)	RX23L-AB			
8	*Fan (4 1/2 Inch)	12-23609-21			
9	*Clamp, Cable (w/Mounting Hole)	12-47062-02		CD	
10	*Power Cord 125V (Not Shown)	17-00606-02			
11	*Cable, Power Cord (Not Shown)	17-04285-02			
12	*LCD LED Backlite	30-43049-01			
13	*Power Supply 92-264V	30-44712-01			
14	*Label, "Caution/Disconnect" Icon	36-41956-01			
15	*Label, "Enclosure" Logo	36-45161-02			
16	*Label, "I/O" Memory Slot Numbers	36-46176-03			
17	*Label, "Regulatory Blank"	36-47685-01			
18	*Package Assembly (Not Shown)	37-01522-02		AB	
	*Package Assembly (Not Shown)	37-01522-03		CD	
19	*CHASSIS ASSEMBLY	70-32009-01			
20	**KIT, CABLE ASSEMBLY (Not Shown)	22-13594-01			
21	***Cable, RIO	17-04196-01			
22	***Cable, Floppy Signal, 34 Pos.	17-04200-01			
23	***Cable, OCP to Saddle, 10 Pos. (800 mm)	17-04201-01			
24	***Cable, OCP Switch Board	17-04201-02			
25	***Cable, Power Harness	17-04385-01			
26	***Cable, SCSI CD-ROM to Bulkhead	17-04292-01			
27	***Cable, SCM (Jumper, 12V)	17-04349-01			
28	***Cable, SCM (34 Pos. Jumper)	17-04350-01			
29	***Cable, SCM (16 Pos. Jumper)	17-04363-01			
30	*Module, PIO System	54-23805-01			
31	*Module, Power Control	54-24117-01			
32	*Module, OCP Logic	54-24364-01			
33	*Module, OCP Switch	54-24366-01			
34	*Module, Server Control	54-24674-01			
35	*OCP Assembly	70-31989-02		CD	
36	*Weldment, OCP Housing	70-31990-01		CD	
37	*Bulkhead, Cable Assembly	70-32020-01		CD	

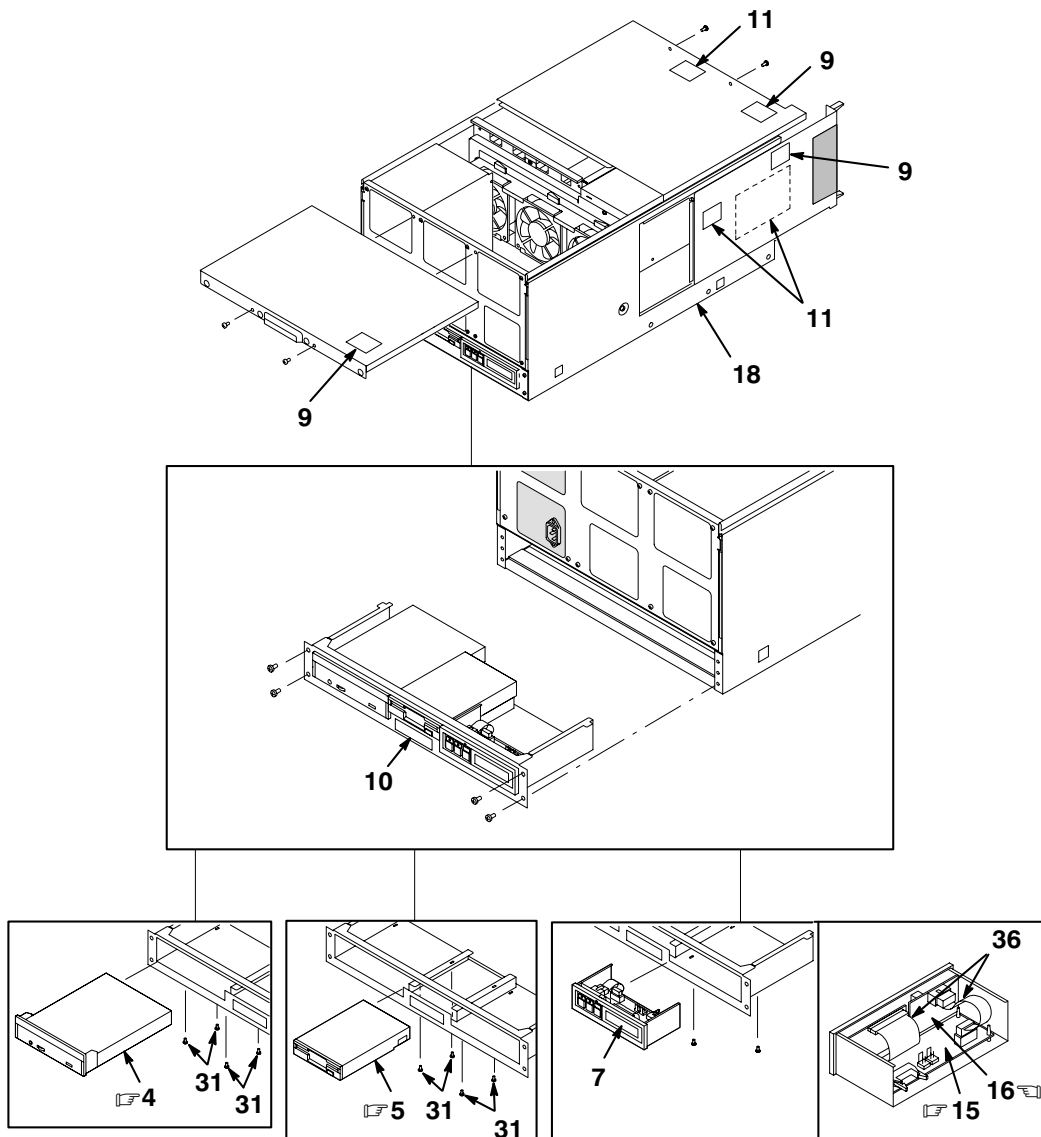


FIG. & ITEM NO.	DESCRIPTION	DIGITAL PART NO. <sup>A</sup>	ECO CUT-IN BA30B 0000	USED ON CODE	REF FIG NO.
3-	ENCLOSURE ASSEMBLIES, BA30B (continued)				
38	*Clamp, Cable (Adhesive Mount)	90-09636-00			
39	*Screw, Sems M4 Pan 8 mm	90-09984-19			
40	*Screw, Sems M3 Pan 6 mm	90-09984-20			
41	*Tie, Cable	90-11096-01			



INDICATES FRU LEVEL PARTS.

PARTS LIST

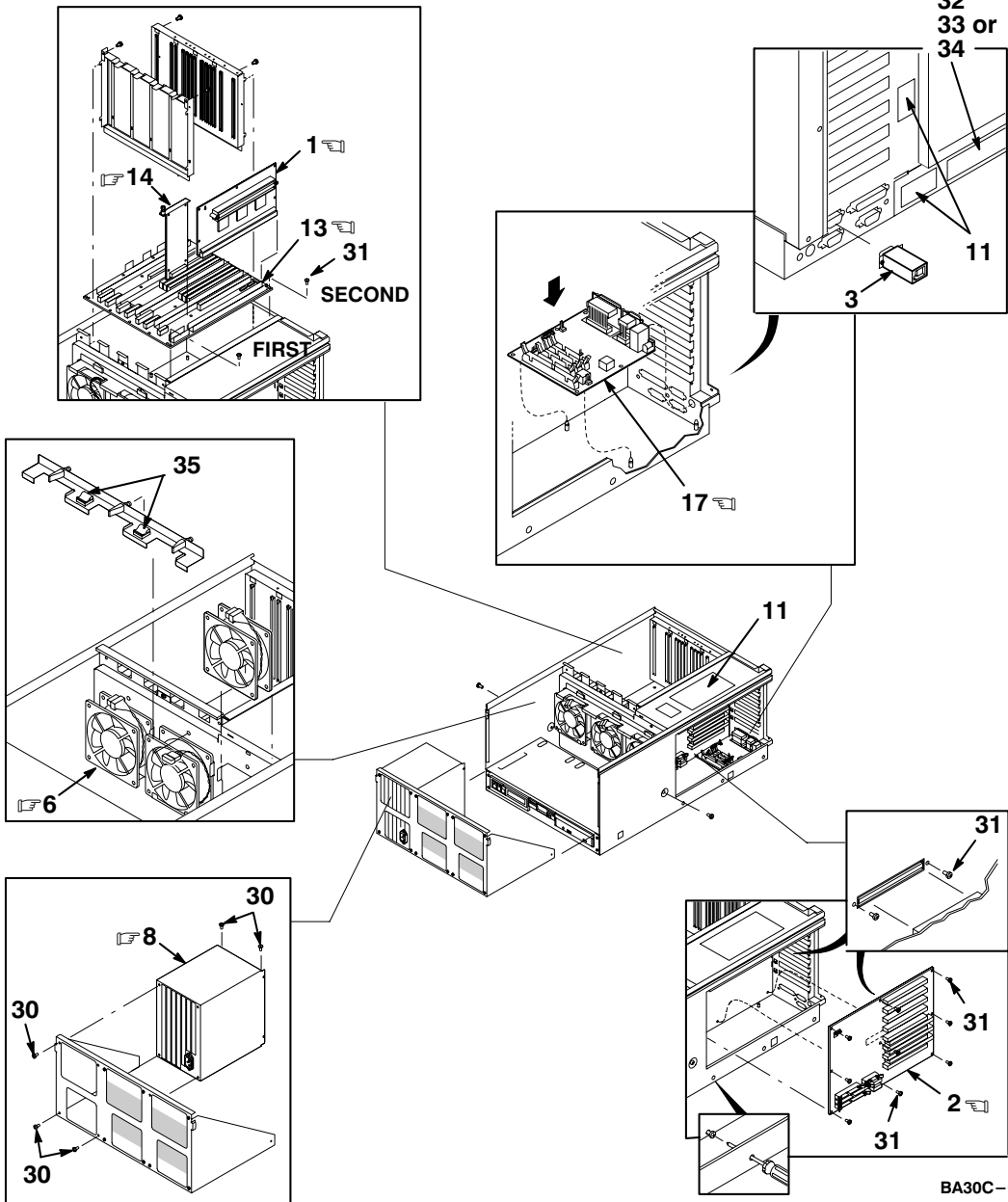


BA30C-01

Figure 4. Enclosure Assembly, BA30C (Sheet 1 of 4)

☞ ☞ INDICATES FRU LEVEL PARTS.

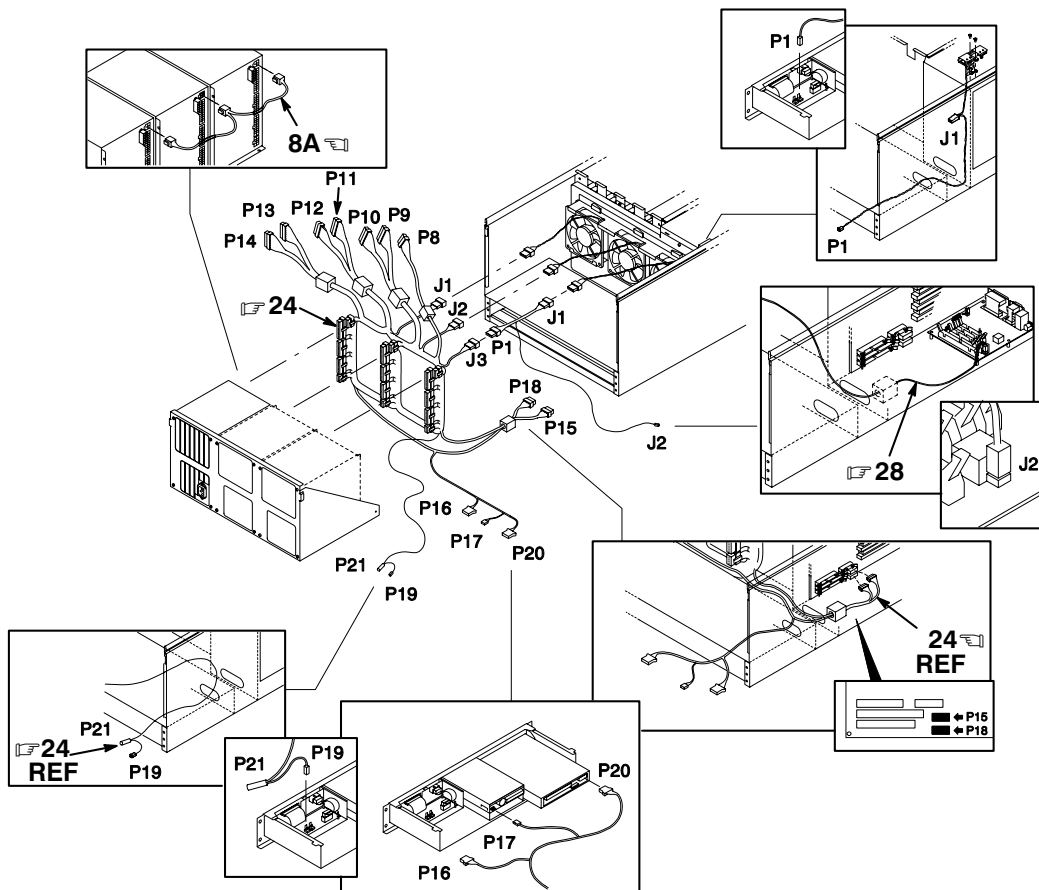
**PARTS LIST** 



**Figure 4. Enclosure Assembly, BA30C (Sheet 2 of 4)**

INDICATES FRU LEVEL PARTS.

PARTS LIST

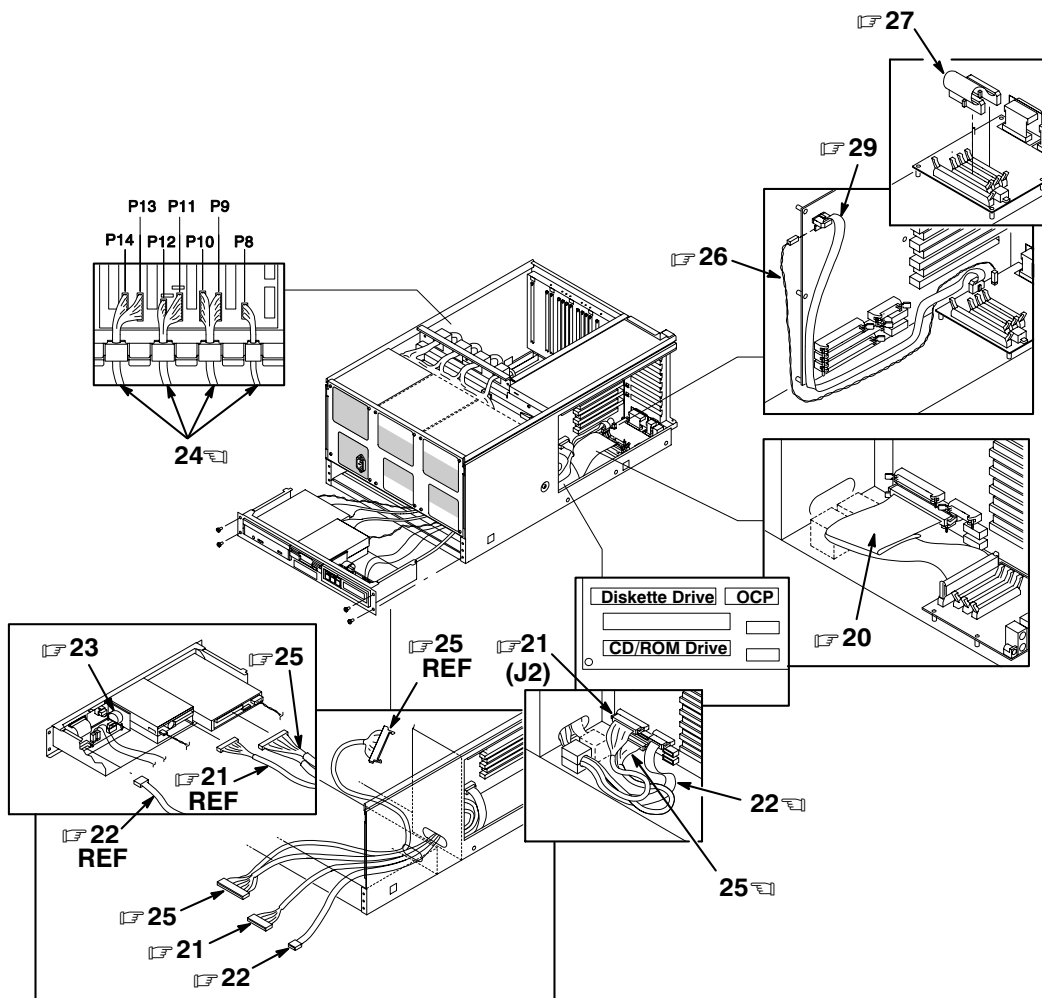


BA30C-03

Figure 4. Enclosure Assembly, BA30C (Sheet 3 of 4)

INDICATES FRU LEVEL PARTS.

PARTS LIST



BA30C-04

Figure 4. Enclosure Assembly, BA30C (Sheet 4 of 4)

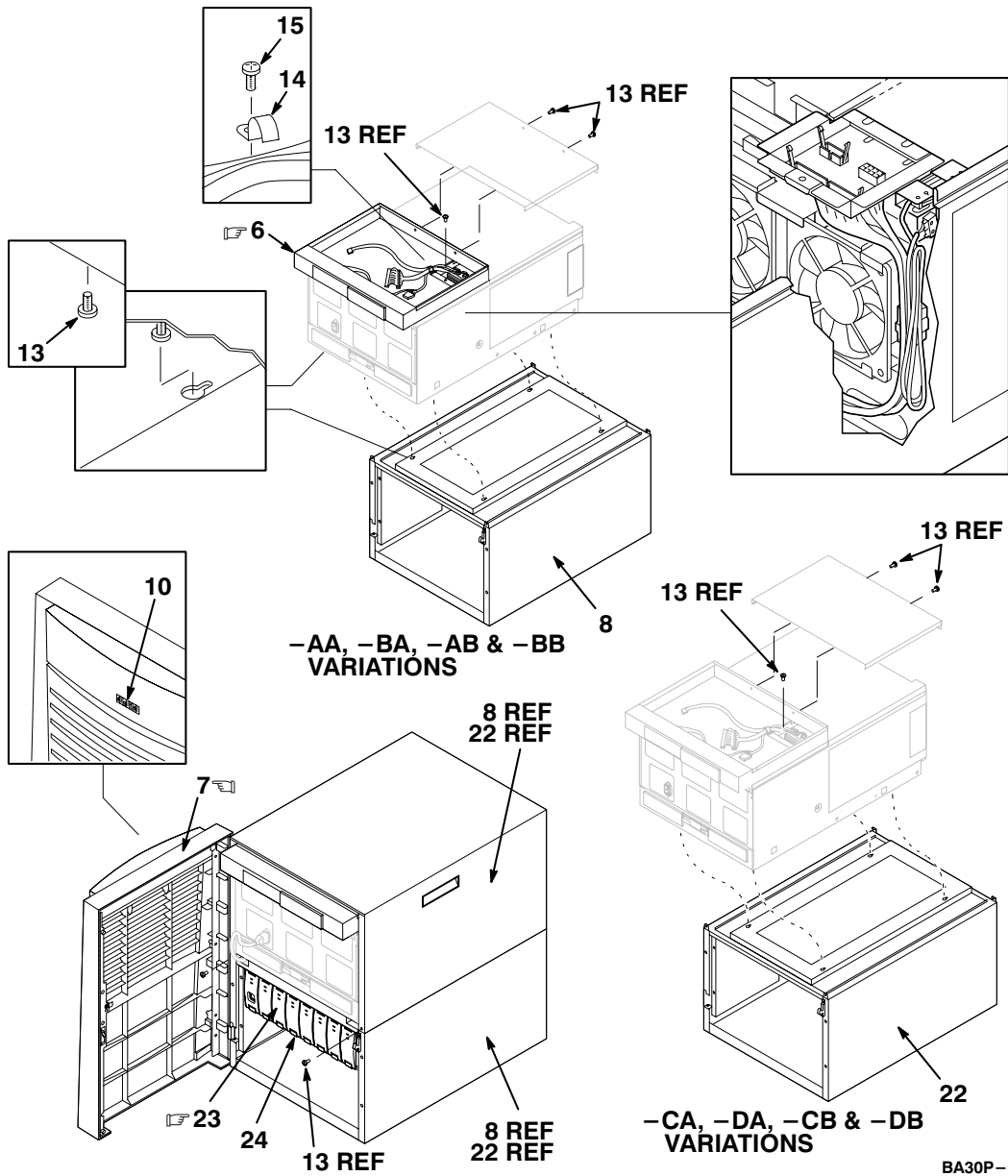
FIG. & ITEM NO.	DESCRIPTION	DIGITAL PART NO. <sup>c</sup>	ECO CUT-IN BA30C 0002	USED ON CODE	REF FIG NO.
4-	ENCLOSURE ASSEMBLY, BA30C	BA30C-AA			1
1	*Module, MC Bus to PCI Bus Bridge	B3040-AA			
2	*Module, I/O Bus	B3050-AA			
3	*Adapter, DECstation 2000, 9-Pin Serial	H8571-J			
4	*CD-ROM (12X)	RRD46-AB			
5	*Disk Drive (1.44 MB)	RX23L-AB			
6	*Fan (4 1/2 Inch)	12-23609-21			
7	*LCD LED Backlite	30-43049-01			
8	*Power Supply 92-264V	30-44712-01			
8A	**Cable, Current Share	17-04199-01			
9	*Label, "Caution/Disconnect" Icon	36-41956-01			
10	*Label, "Enclosure" Logo	36-45161-02			
11	*Label, "I/O" Memory Slot Numbers	36-46176-02			
12	*Package Assembly (Not Shown)	37-01522-02			
13	*Module, IIP System	54-23803-02			
14	*Module, Power Control	54-24117-01			
15	*Module, OCP Logic	54-24364-01			
16	*Module, OCP Switch	54-24366-01			
17	*Module, Server Control	54-24674-01			
18	*CHASSIS ASSEMBLY	70-31961-01			
19	**KIT, CABLE ASSEMBLY (Not Shown)	22-13569-01			
20	***Cable, RIO	17-04196-01			
21	***Cable, Floppy Signal, 34 Pos.	17-04200-01			
22	***Cable, OCP to Saddle, 10 Pos. (800 mm)	17-04201-01			
23	***Cable, OCP Switch Board	17-04201-02			
24	***Cable, Power Harness	17-04217-01			
25	***Cable, SCSI CD-ROM to Bulkhead	17-04292-01			
26	***Cable, SCM (Jumper, 12V)	17-04349-01			
27	***Cable, SCM (34 Pos. Jumper)	17-04350-01			
28	***Cable, SCM (Power Jumper, 12V)	17-04351-01			
29	***Cable, SCM (16 Pos. Jumper)	17-04363-01			
30	*Screw, Sems M4 Pan 8 mm	90-09984-19			
31	*Screw, Sems M3 Pan 6 mm	90-09984-20			
32	*Label, "Regulatory" (U.S.)	36-47685-02			
33	*Label, "Regulatory" (U.K.)	36-47685-03			
34	*Label, "Regulatory" (Singapore)	36-47685-04			
35	*Clamp, Cable (Adhesive Mount)	90-09636-00			
36	*Tie, Cable	90-11096-01			
37	*Power Cord 125V (Not Shown)	17-00606-02			
38	*Cable, Power Cord (Not Shown)	17-04285-02			





INDICATES FRU LEVEL PARTS.

PARTS LIST

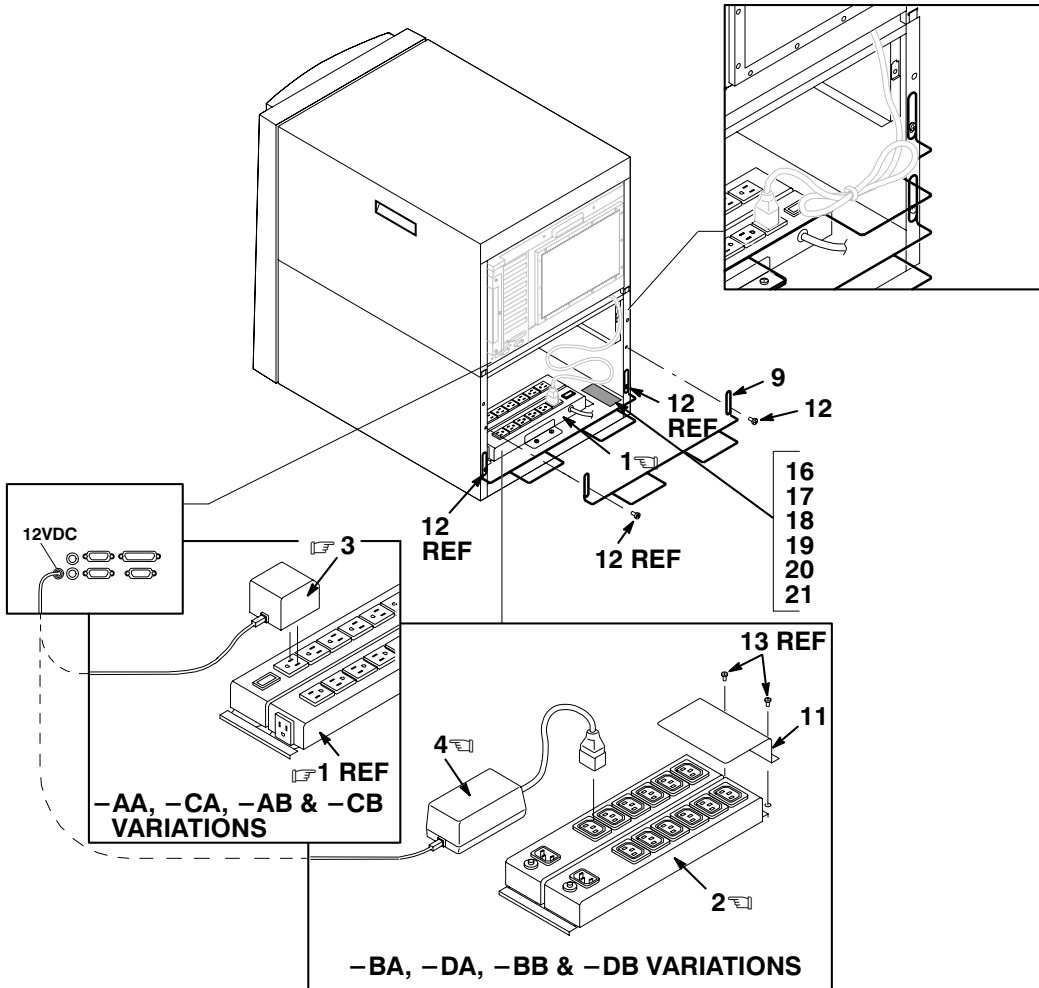


BA30P-01

Figure 5. Pedestal Assembly, BA30P (Sheet 1 of 2)

INDICATES FRU LEVEL PARTS.

PARTS LIST



BA30P-02

Figure 5. Pedestal Assembly, BA30P (Sheet 2 of 2)

FIG. & ITEM NO.	DESCRIPTION	DIGITAL PART NO.	ECO CUT-IN BA30P 00006	USED ON CODE	REF FIG NO.
5-	PEDESTAL ASSEMBLIES, BA30P				1
A	PEDESTAL ASSEMBLY, BA30P	BA30P-AA		A	
B	PEDESTAL ASSEMBLY, BA30P	BA30P-BA		B	
C	PEDESTAL ASSEMBLY, BA30P	BA30P-CA		C	
C	PEDESTAL ASSEMBLY, BA30P	BA30P-DA		D	
E	PEDESTAL ASSEMBLY, BA30P	BA30P-AB		E	
F	PEDESTAL ASSEMBLY, BA30P	BA30P-BB		F	
H	PEDESTAL ASSEMBLY, BA30P	BA30P-CB		H	
J	PEDESTAL ASSEMBLY, BA30P	BA30P-DB		J	
☞ 1	*Power Strip	12-23501-01		ACEH	
☞ 2	*Connector, Power Strip	12-45334-02		BDFJ	
☞ 3	*Power Supply 120V	30-46485-01		ACEH	
☞ 4	*Power Supply 230V	30-46485-05		BDFJ	
5	*Package Assembly (Not Shown)	37-01637-01			
☞ 6	*OCP Assembly	70-31989-02		ABEF	
☞ 7	*Door Assembly, Pedestal	70-32013-01			
8	*Pedestal Assembly (w/OCP)	70-32023-01		ABEF	
9	*Rack, Cable	74-49788-01			
10	*Logo, Digital	74-49793-03			
11	*Bracket, Shield	74-51195-01		BDFJ	
12	*Screw, Sems M5 Pan 12 mm	90-09984-18			
13	*Screw, Sems M4 Pan 8 mm	90-09984-19			
14	*Clamp, Cable (w/Mounting Hole)	12-47062-02		ABEF	
15	*Screw, Sems M3 Pan 6 mm	90-09984-20		ABEF	
16	*Label, "Regulatory", N.A. Rack (U.S.)	36-41348-38		ACEH	
17	*Label, "Regulatory", N.A. Pedestal (U.K.)	36-41348-41		ACEH	
18	*Label, "Regulatory", Euro Rack (U.K.)	36-41348-39		BDFJ	
19	*Label, "Regulatory", Euro Pedestal (U.S.)	36-41348-42		BDFJ	
20	*Label, "Regulatory", N.A. Pedestal (Singapore)	36-41348-51		ACEH	
21	*Label, "Regulatory", Euro Pedestal (Singapore)	36-41348-52		BDFJ	
22	*Pedestal Assembly (w/o OCP)	70-32023-02		CDHJ	
☞ 23	*Disk Drive, Wide SCSI, 4.3 GB	RZ29B-VW		EFHJ	
24	*Shelf, Pedestal StorageWorks	BA36R-SB		EFHJ	



INDICATES FRU LEVEL PARTS.

PARTS LIST

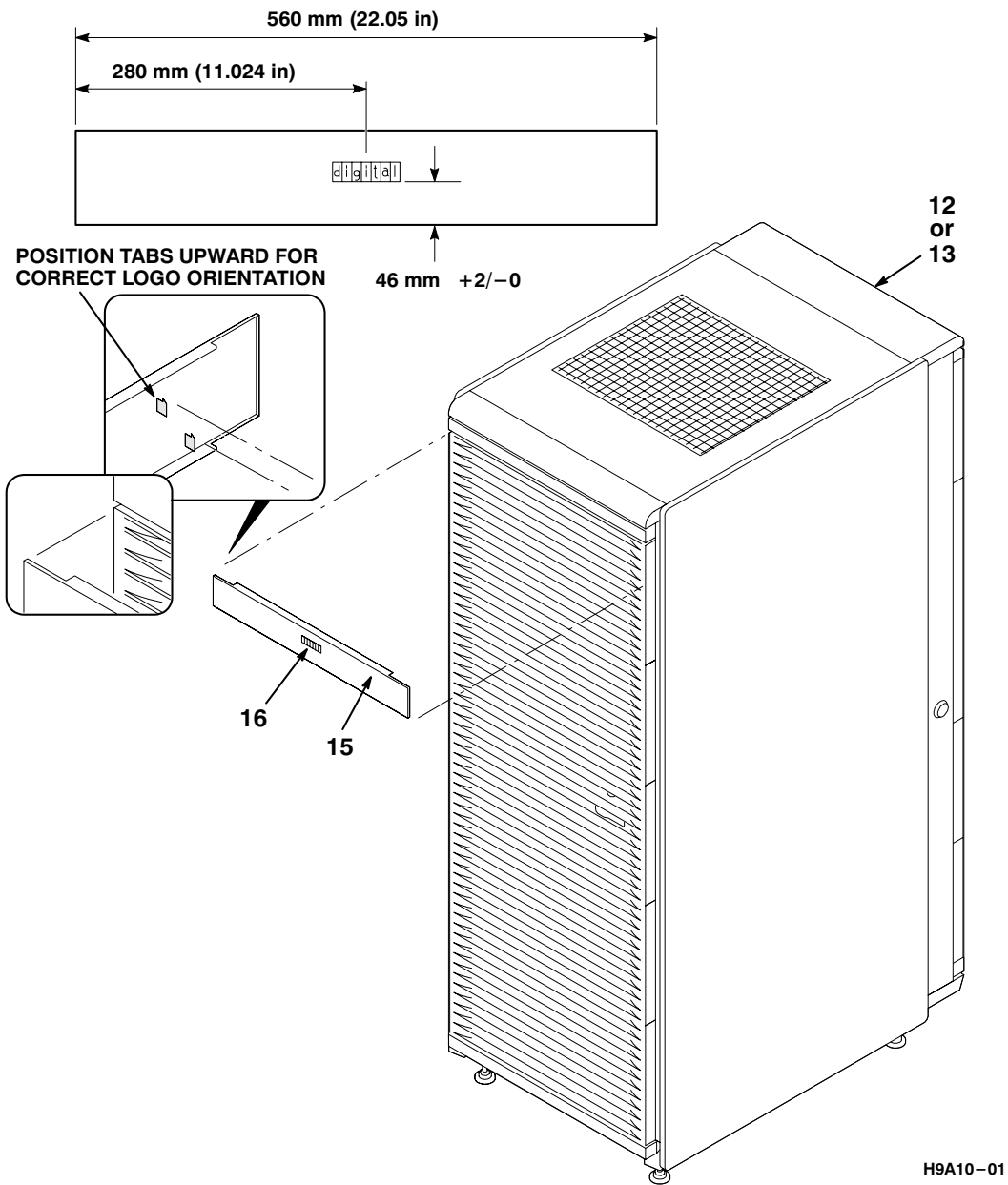
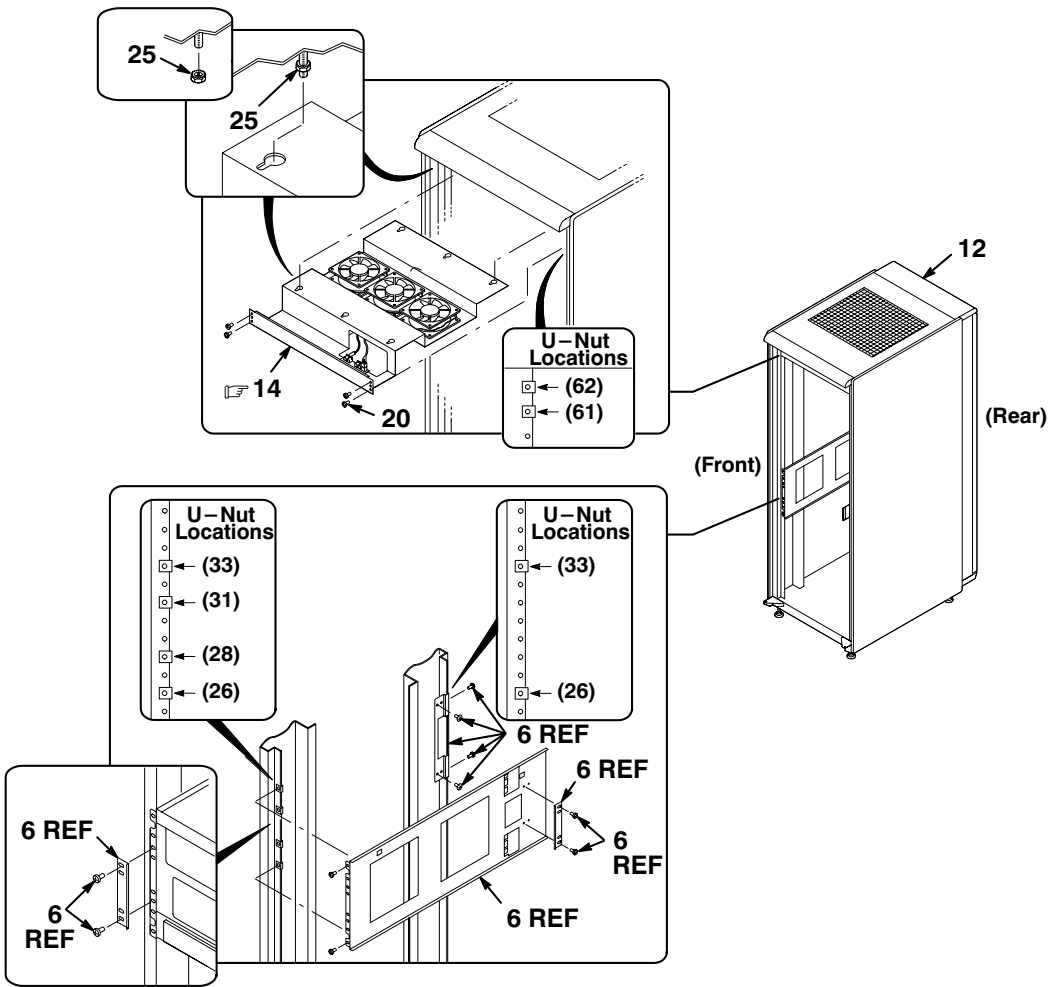


Figure 6. Cabinet Assembly, H9A10 (Sheet 1 of 17)

INDICATES FRU LEVEL PARTS.

PARTS LIST



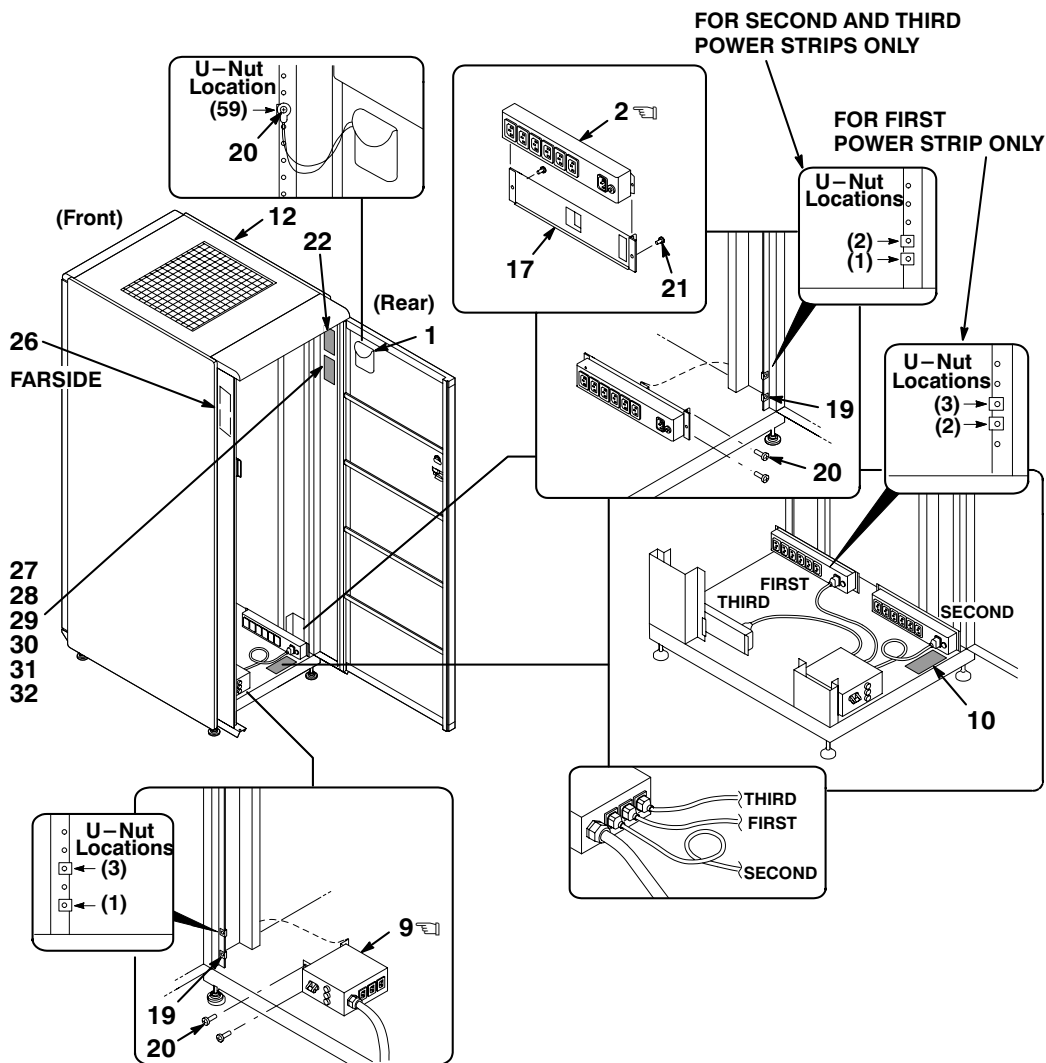
**METRIC  
FAN AND RAIL ASSEMBLY**

H9A10-02

Figure 6. Cabinet Assembly, H9A10 (Sheet 2 of 17)

INDICATES FRU LEVEL PARTS.

PARTS LIST



**METRIC  
AC INLET AND POWER STRIP ASSEMBLY**

H9A10-03

Figure 6. Cabinet Assembly, H9A10 (Sheet 3 of 17)

INDICATES FRU LEVEL PARTS.

PARTS LIST

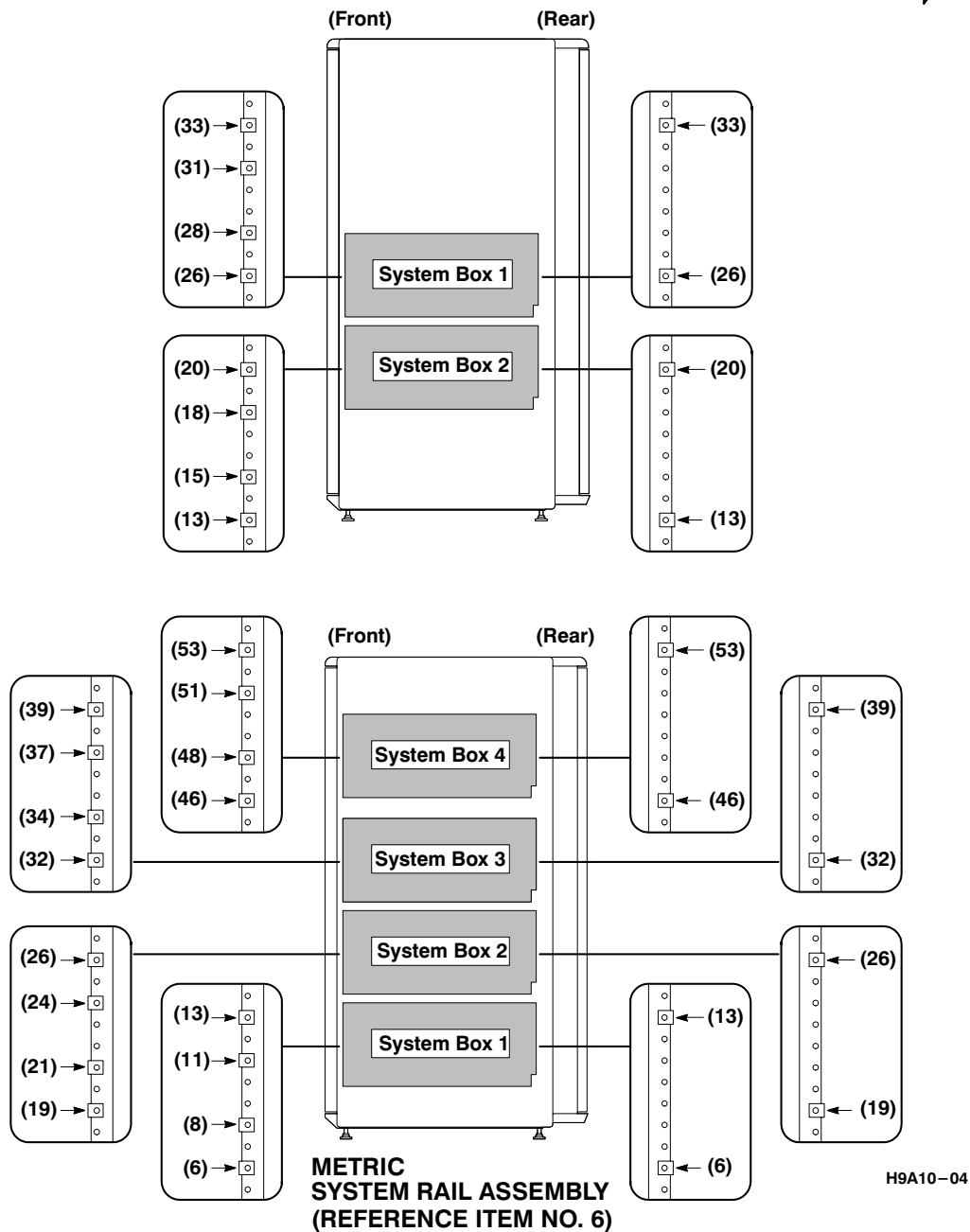


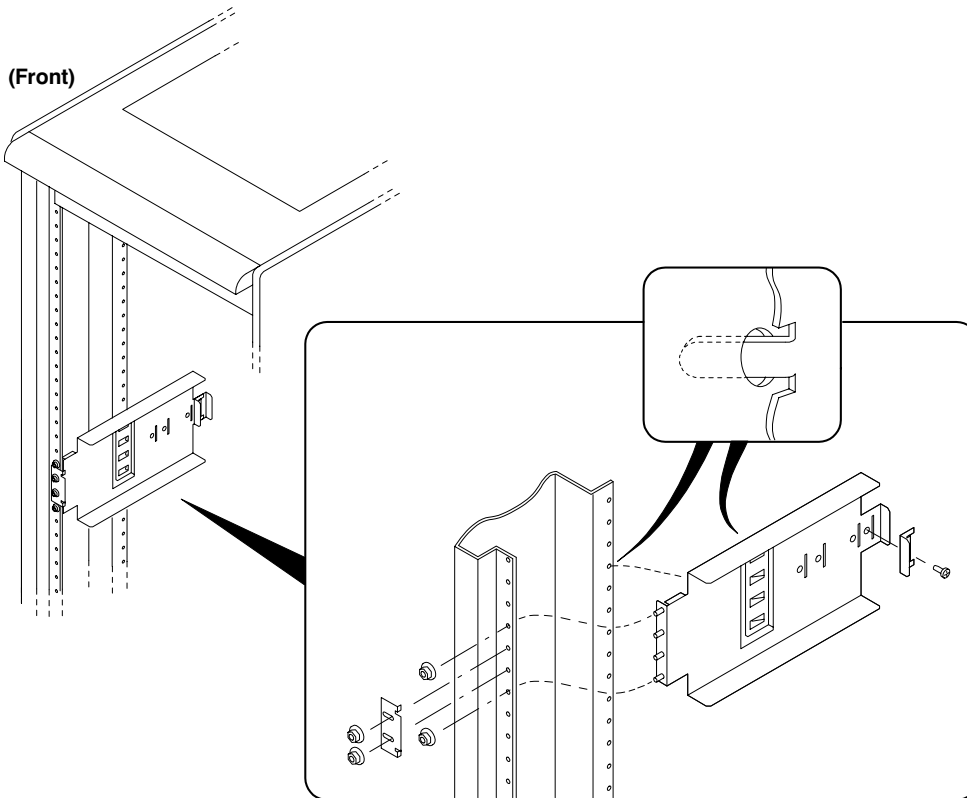
Figure 6. Cabinet Assembly, H9A10 (Sheet 4 of 17)



INDICATES FRU LEVEL PARTS.

PARTS LIST

### TYPICAL MOUNTING HARDWARE KIT FOR STORAGE SHELF ASSEMBLY TO METRIC RACK



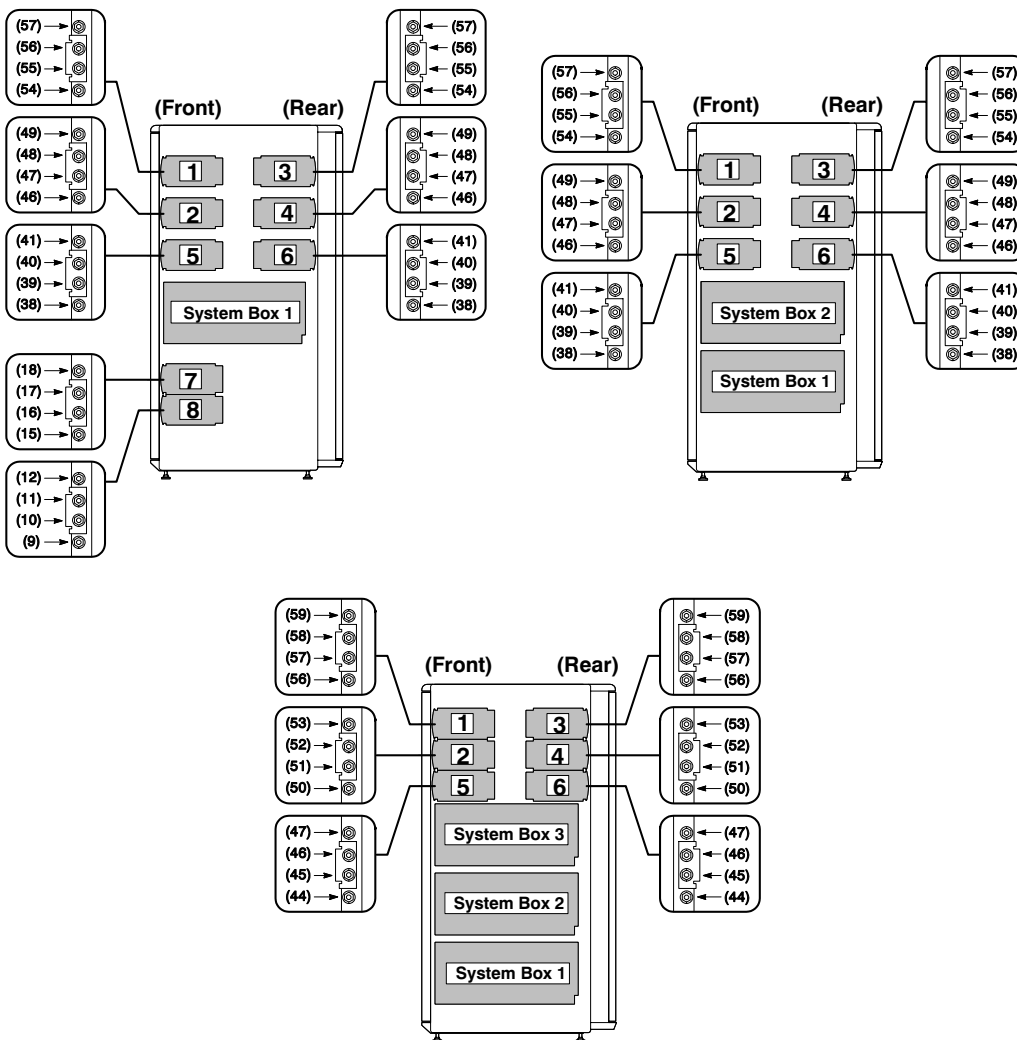
### METRIC STORAGE SHELF MOUNTING ASSEMBLY

H9A10-05

Figure 6. Cabinet Assembly, H9A10 (Sheet 5 of 17)

INDICATES FRU LEVEL PARTS.

PARTS LIST



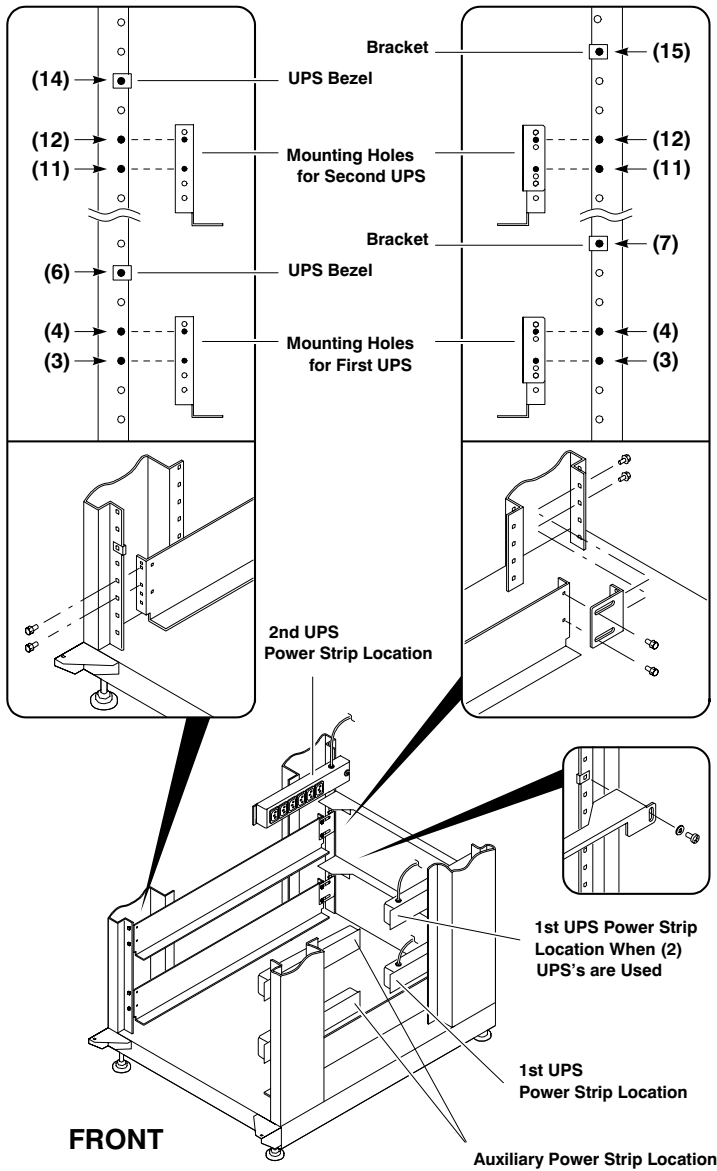
**METRIC  
STORAGE SHELF MOUNTING ASSEMBLY**

H9A10-06

Figure 6. Cabinet Assembly, H9A10 (Sheet 6 of 17)

INDICATES FRU LEVEL PARTS.

PARTS LIST

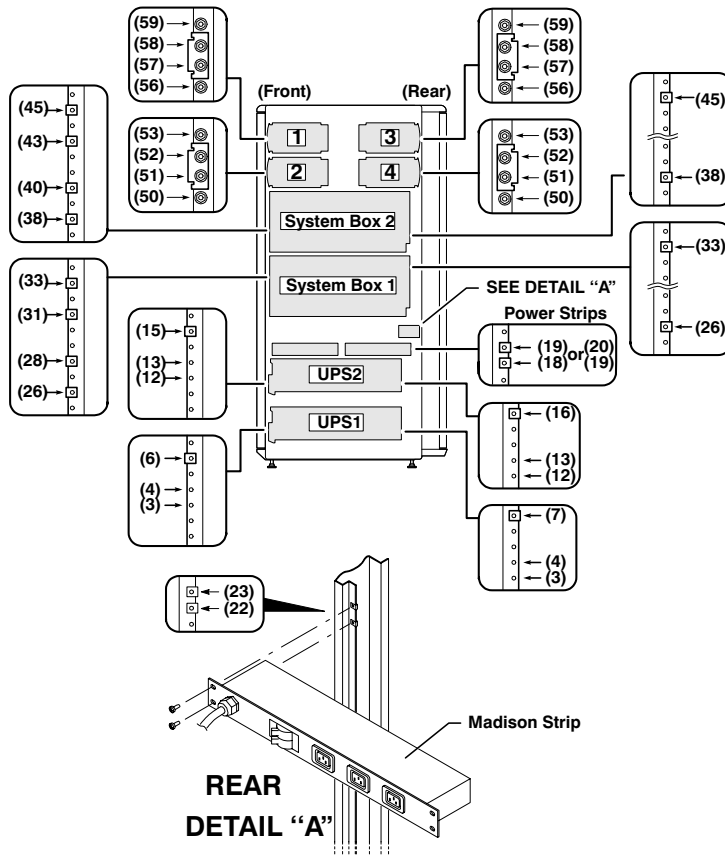


H9A10-07

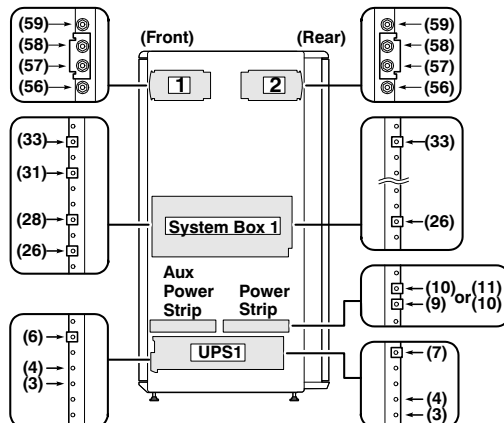
Figure 6. Cabinet Assembly, H9A10 (Sheet 7 of 17)

INDICATES FRU LEVEL PARTS.

PARTS LIST



REAR  
DETAIL "A"



H9A10-08

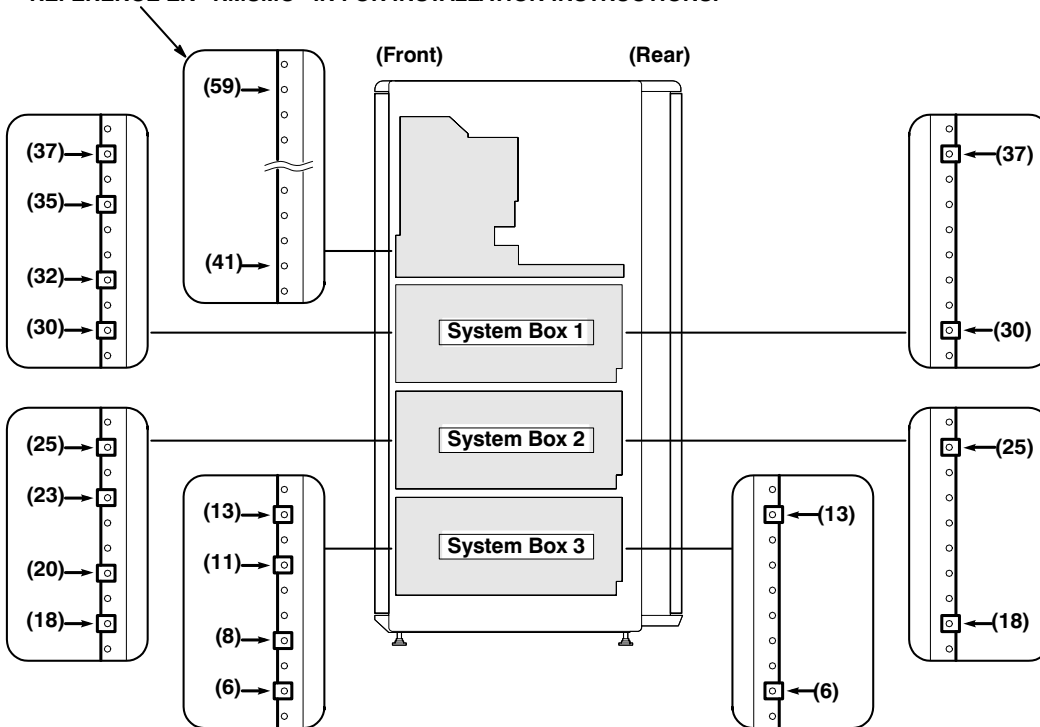
Figure 6. Cabinet Assembly, H9A10 (Sheet 8 of 17)

INDICATES FRU LEVEL PARTS.

PARTS LIST



SYSTEM MANAGEMENT STATION KIT (2T-RSMC) OUTER MOUNTING HOLES, REFERENCE EK-RSMC-IN FOR INSTALLATION INSTRUCTIONS.



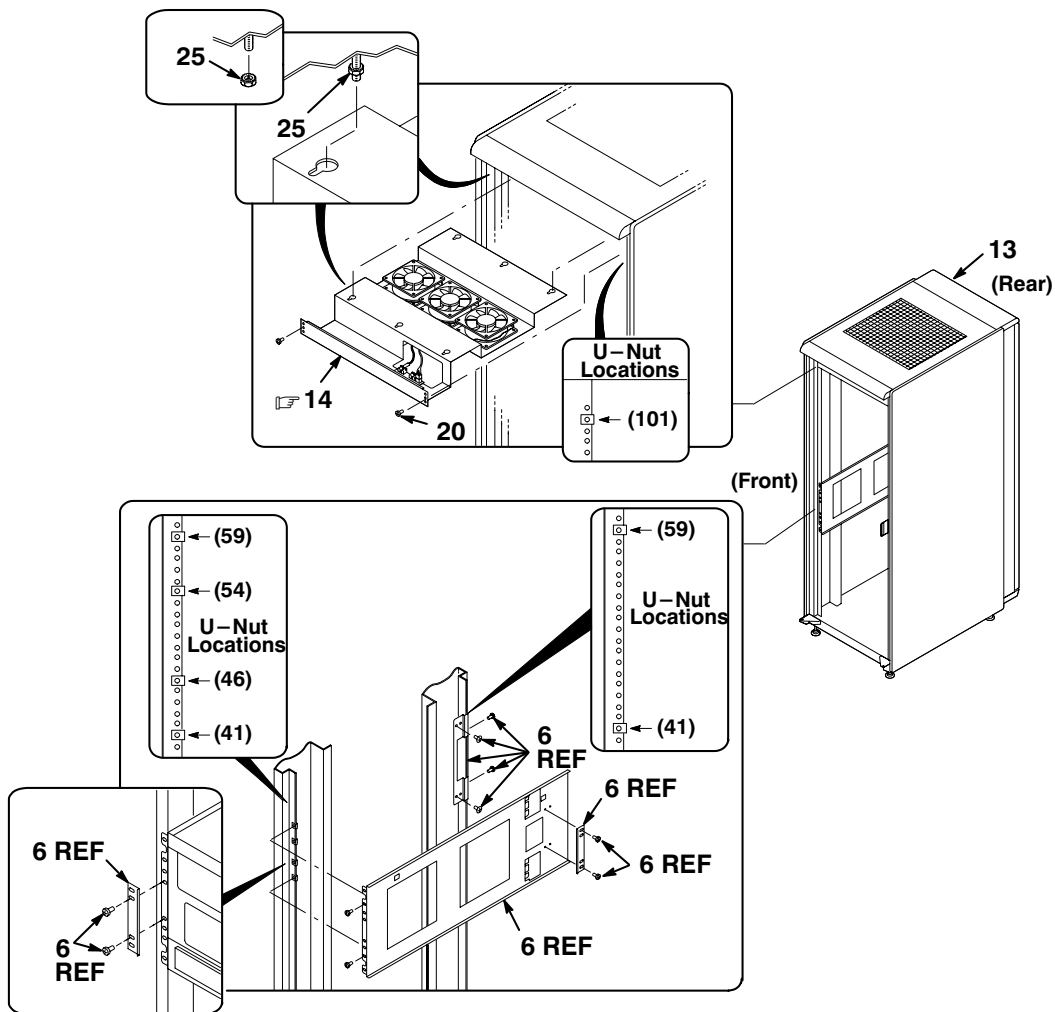
METRIC  
SYSTEM MANAGEMENT STATION KIT  
WITH SYSTEM RAIL ASSEMBLY.

H9A10-09

Figure 6. Cabinet Assembly, H9A10 (Sheet 9 of 17)

INDICATES FRU LEVEL PARTS.

PARTS LIST



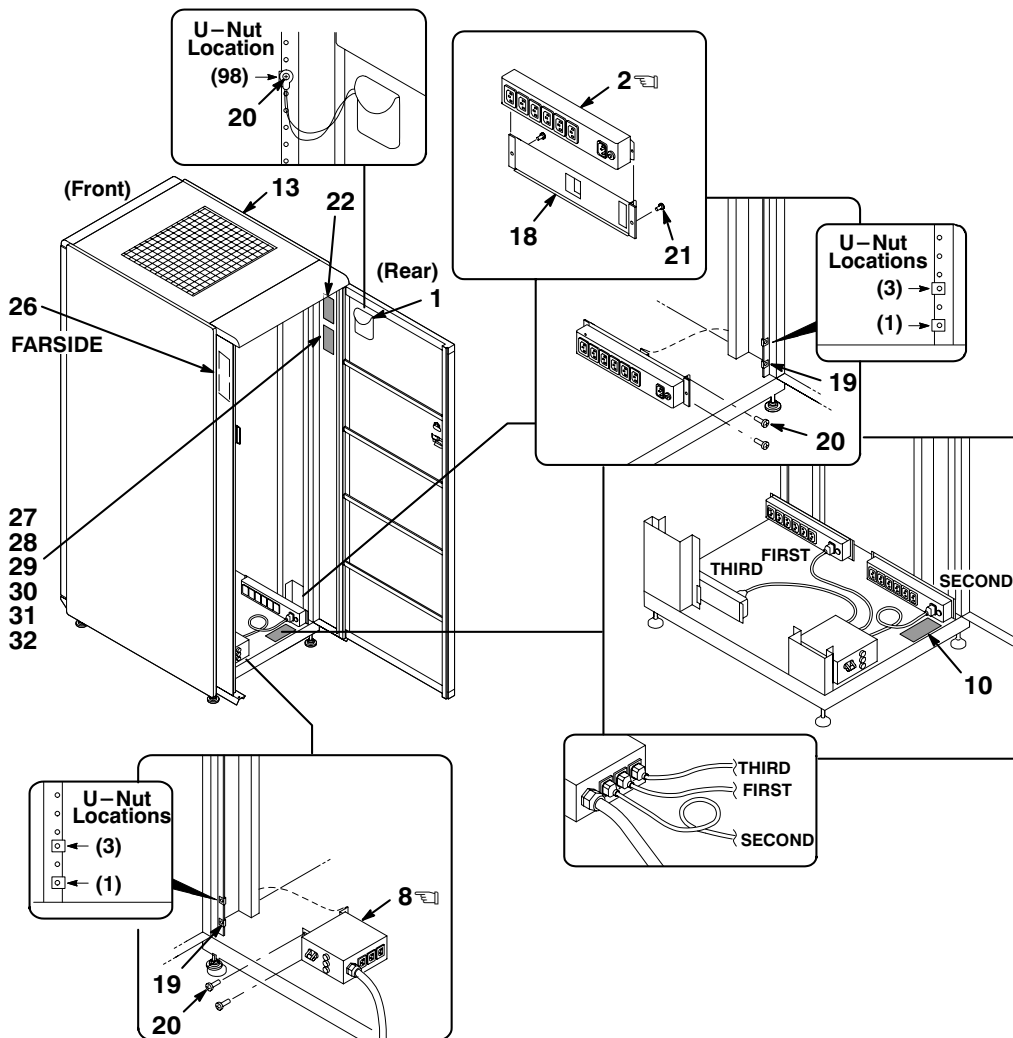
**NA RETMA  
FAN AND RAIL ASSEMBLY**

H9A10-10

Figure 6. Cabinet Assembly, H9A10 (Sheet 10 of 17)

INDICATES FRU LEVEL PARTS.

PARTS LIST



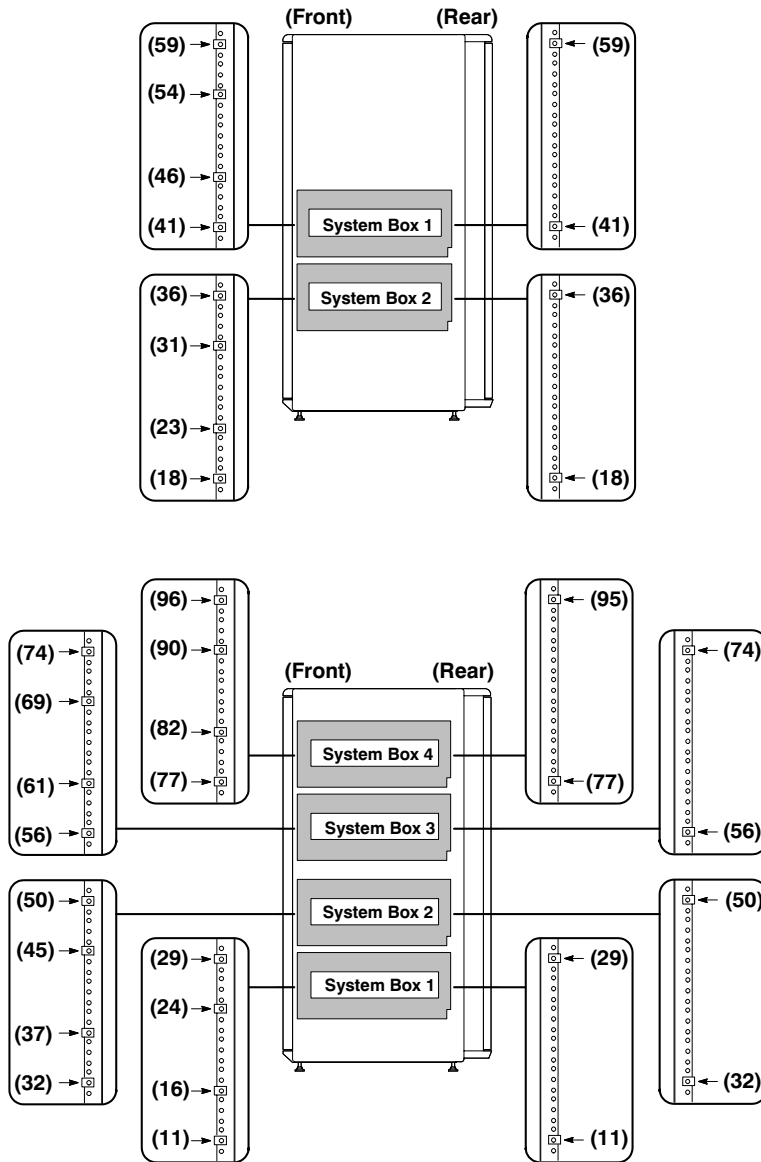
**NA RETMA  
AC INLET AND POWER STRIP ASSEMBLY**

H9A10-11

Figure 6. Cabinet Assembly, H9A10 (Sheet 11 of 17)

INDICATES FRU LEVEL PARTS.

PARTS LIST



NA RETMA  
SYSTEM RAIL ASSEMBLY  
(REFERENCE ITEM NO. 6)

H9A10-12

Figure 6. Cabinet Assembly, H9A10 (Sheet 12 of 17)

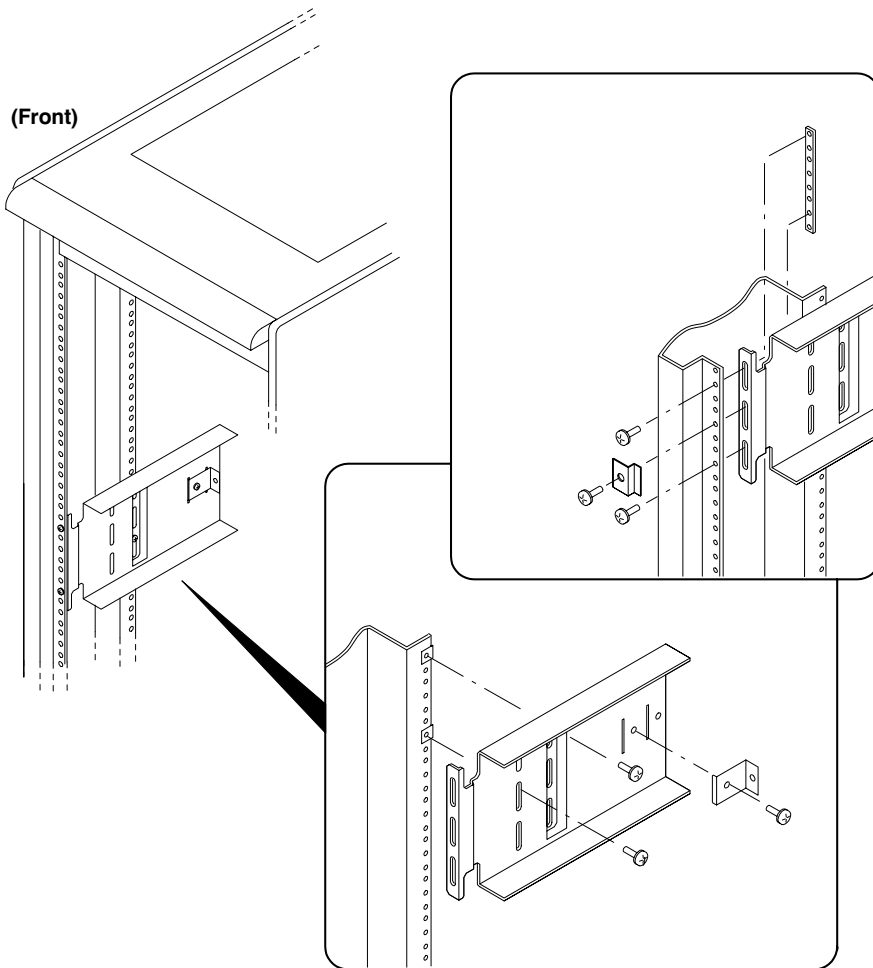


INDICATES FRU LEVEL PARTS.

PARTS LIST



**TYPICAL MOUNTING HARDWARE KIT  
FOR STORAGE SHELF ASSEMBLY TO RETMA RACK**



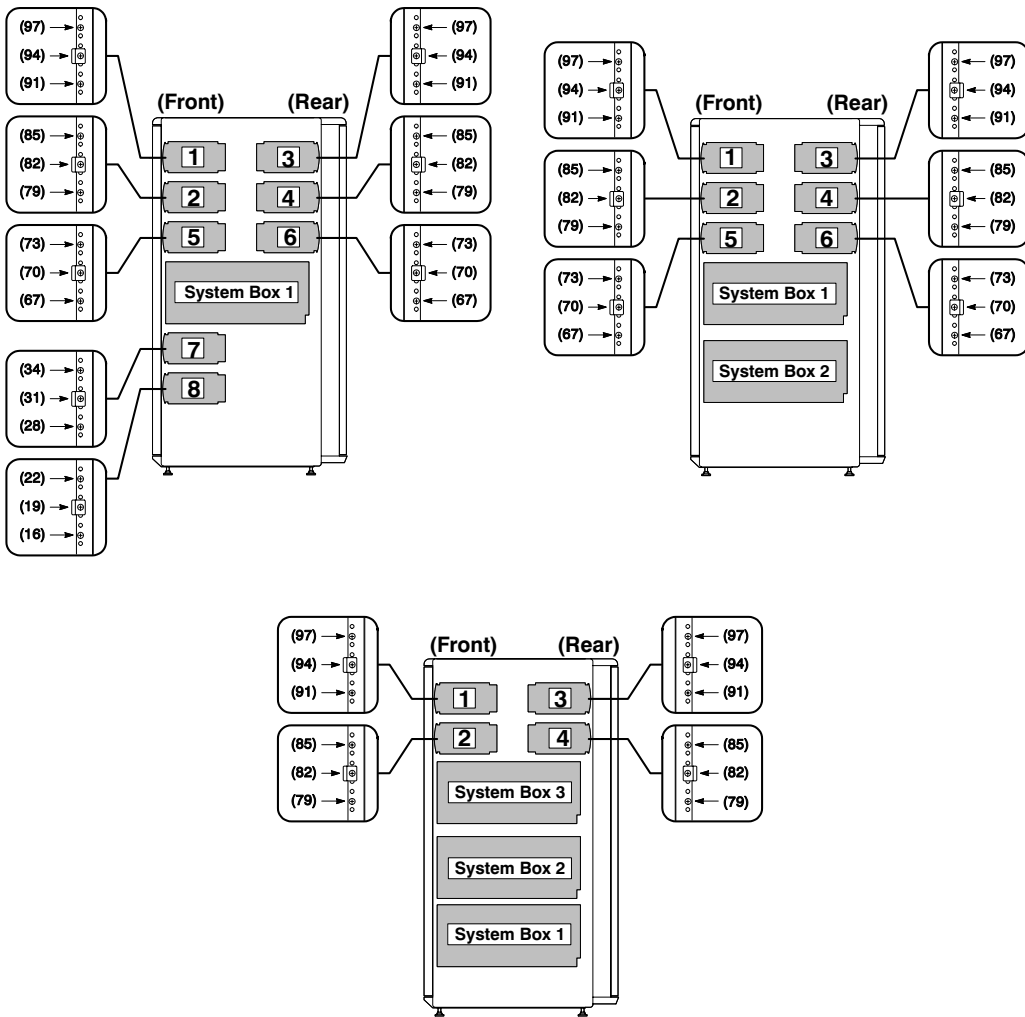
**NA RETMA  
STORAGE SHELF MOUNTING ASSEMBLY**

H9A10-13

**Figure 6. Cabinet Assembly, H9A10 (Sheet 13 of 17)**

INDICATES FRU LEVEL PARTS.

PARTS LIST



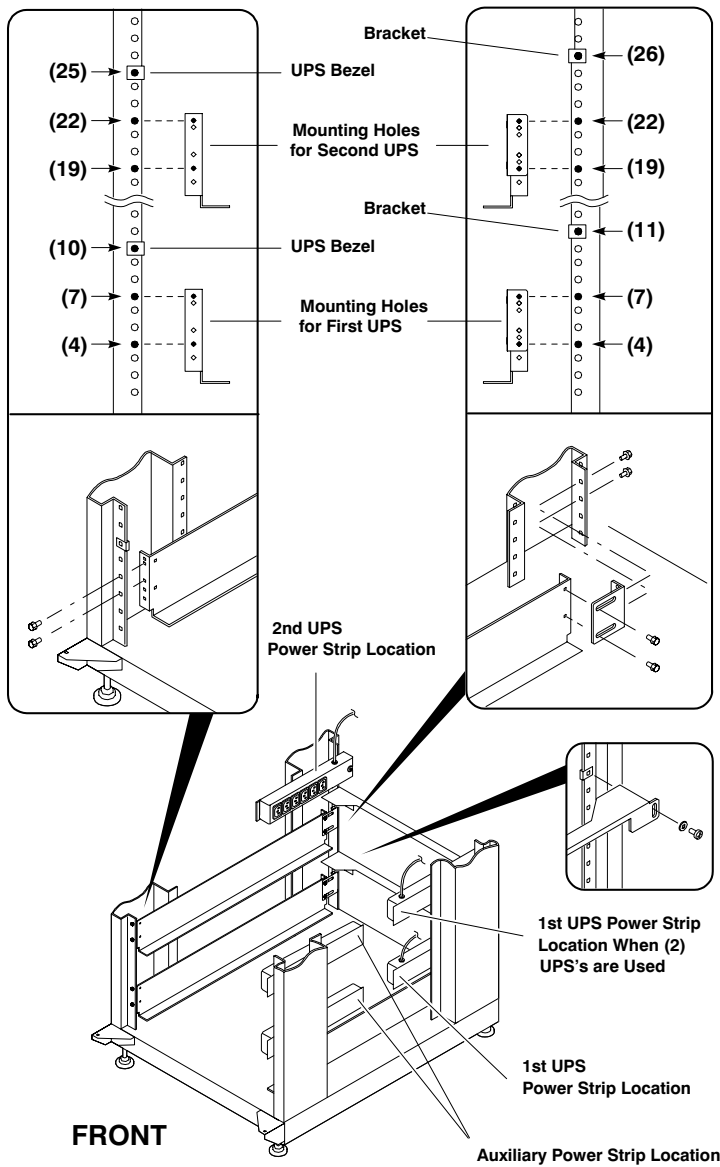
**NA RETMA  
STORAGE SHELF MOUNTING ASSEMBLY**

H9A10-14

Figure 6. Cabinet Assembly, H9A10 (Sheet 14 of 17)

INDICATES FRU LEVEL PARTS.

PARTS LIST



H9A10-15

Figure 6. Cabinet Assembly, H9A10 (Sheet 15 of 17)

INDICATES FRU LEVEL PARTS.

PARTS LIST

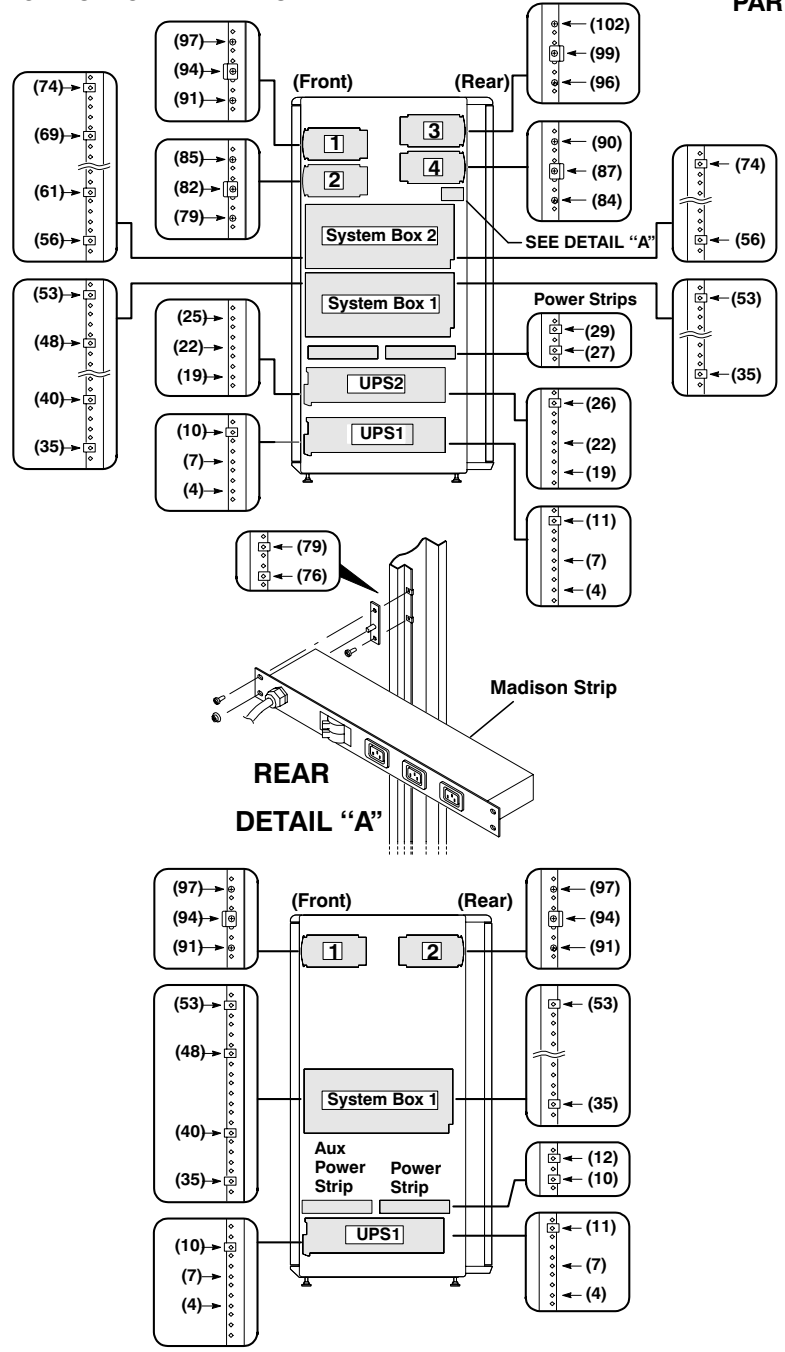


Figure 6. Cabinet Assembly, H9A10 (Sheet 16 of 17)

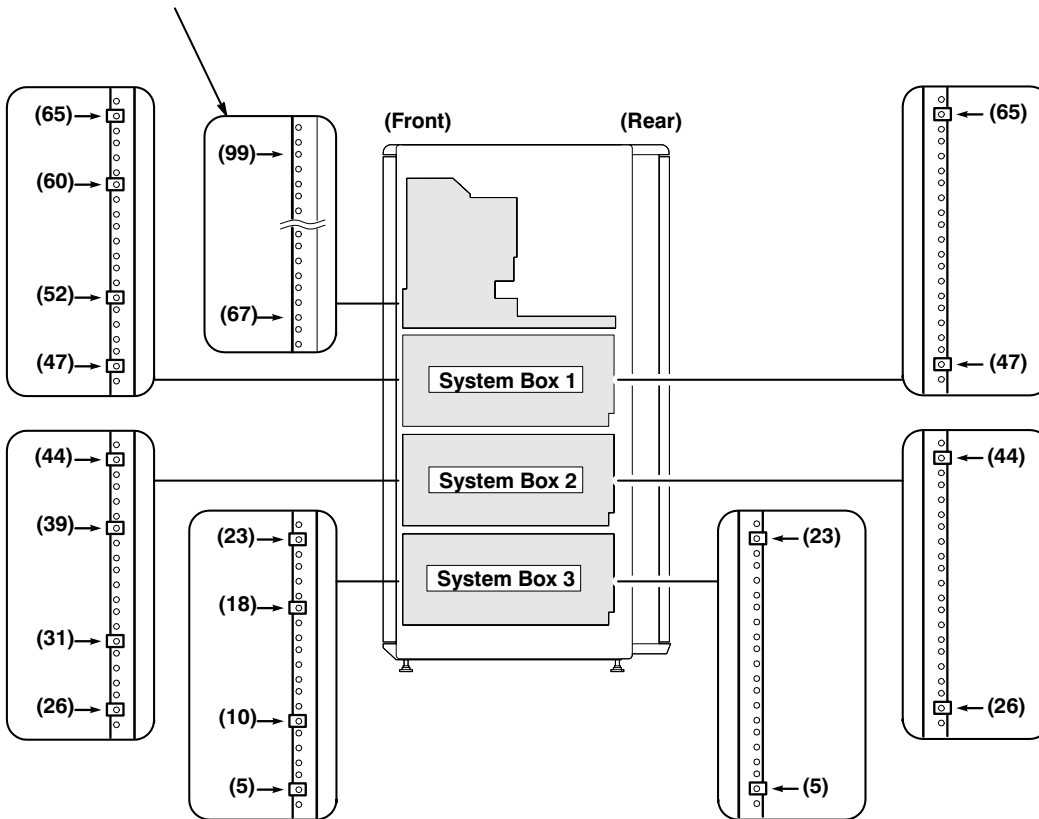
H9A10-16

INDICATES FRU LEVEL PARTS.

PARTS LIST



SYSTEM MANAGEMENT STATION KIT (2T-RMSMC) OUTER MOUNTING HOLES, REFERENCE EK-RMSMC-IN FOR INSTALLATION INSTRUCTIONS.



NA RETMA  
SYSTEM MANAGEMENT STATION KIT  
WITH SYSTEM RAIL ASSEMBLY.

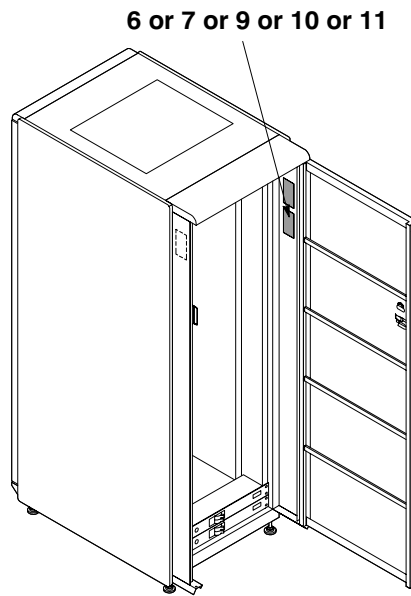
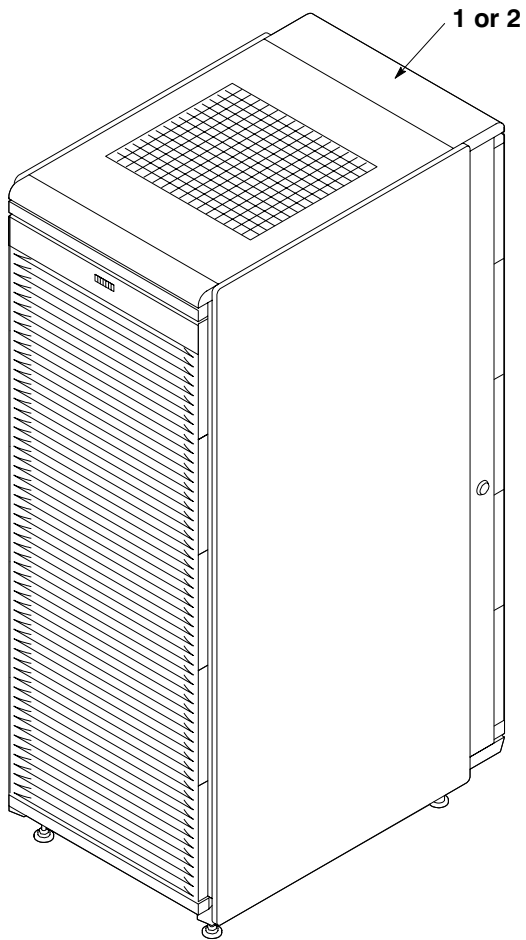
H9A10-17

Figure 6. Cabinet Assembly, H9A10 (Sheet 17 of 17)

FIG. & ITEM NO.	DESCRIPTION	DIGITAL PART NO.	ECO CUT-IN H9A10 00005	USED ON CODE	REF FIG NO.
6- A	CABINET ASSEMBLY, 1.7M x 600 MM (RETMA) (U.S./Japan) (240V)	H9A10-EB		A	1
B	CABINET ASSEMBLY, 1.7M x 600 MM (METRIC) (Europe) (240V)	H9A10-EC		B	1
C	CABINET ASSEMBLY, 1.7M x 600 MM (RETMA) (U.S./Japan) (240V)	H9A10-ED		C	1
D	CABINET ASSEMBLY, 1.7M x 600 MM (METRIC) (Europe) (240V)	H9A10-EE		D	1
1	*Cable, w/Wrist Strap (Not Shown)	12-24023-01			
2	*Connector, Power Strip	12-45334-02			
3	*Cable, Power Cord (Not Shown)	17-04285-01			
4	*Cable, Power Cord (Not Shown)	17-04285-02			
5	*Cable, Power Cord (Not Shown)	17-04285-03			
6	*Kit, Rack Mount (Not Shown)	22-12867-01			
7	*Kit, Stabilizer (Not Shown)	22-13542-01			
8	*Box, AC Input (U.S./Japan)	30-45353-01		AC	
9	*Box, AC Input (Europe)	30-45353-02		BD	
10	*Label, "Warning High Leakage Current"	36-22516-01			
11	*Package Assembly (Not Shown)	37-01524-06			
12	*Cab Assembly, 1.7M, 600 mm, IEC	70-32001-01		BD	
13	*Cab Assembly, 1.7M, 600 mm, EIA	70-32001-02		AC	
14	*Fan Tray, Cabinet	70-32032-01			
15	*Logo, Cabinet Bar	74-51261-01			
16	*Logo, Digital	74-49793-01			
17	*Bracket, Power Bar Mounting	74-50504-01			
18	*Bracket, Power Bar Mounting	74-50504-02		AC	
19	*Nut, U-, M5	90-07786-04			
20	*Screw, Sems M5 Pan 18 mm	90-09984-22			
21	*Screw, Sems M3.5 Pan 8 mm	90-09984-29			
22	*Label, "Direct Thermal"	36-28231-08			
23	*Tie, Cable	90-07880-00			
24	*Mount, Cable Tie Push	90-07867-00			
25	*Nut, Kep M5	90-40148-02			
26	*Label, "Caution System Unit Removal"	36-48064-01			
27	*Label, "Regulatory", N.A. Rack (U.S.)	36-41348-43		AC	
28	*Label, "Regulatory", N.A. Rack (U.K.)	36-41348-44		AC	
29	*Label, "Regulatory", Euro Rack (U.S.)	36-41348-53		AC	
30	*Label, "Regulatory", Euro Rack (U.K.)	36-41348-37		BD	
31	*Label, "Regulatory", N.A. Rack (Singapore)	36-41348-36		BD	
32	*Label, "Regulatory", Euro Rack (Singapore)	36-41348-54		BD	
33	*Cable, 06 Cond., Keyboard (Not Shown)	17-04016-01			
34	*Cable, PC Video (Not Shown)	BC13L-10			
35	*Disk Drive, Wide SCSI, 4.3 GB (Not Shown)	RZ29B-VW		CD	
36	*Shelf, Cabinet StorageWorks (Not Shown)	BA36R-RA		C	
37	*Shelf, Cabinet StorageWorks (Not Shown)	BA36R-JA		D	

☞ INDICATES FRU LEVEL PARTS.

PARTS LIST

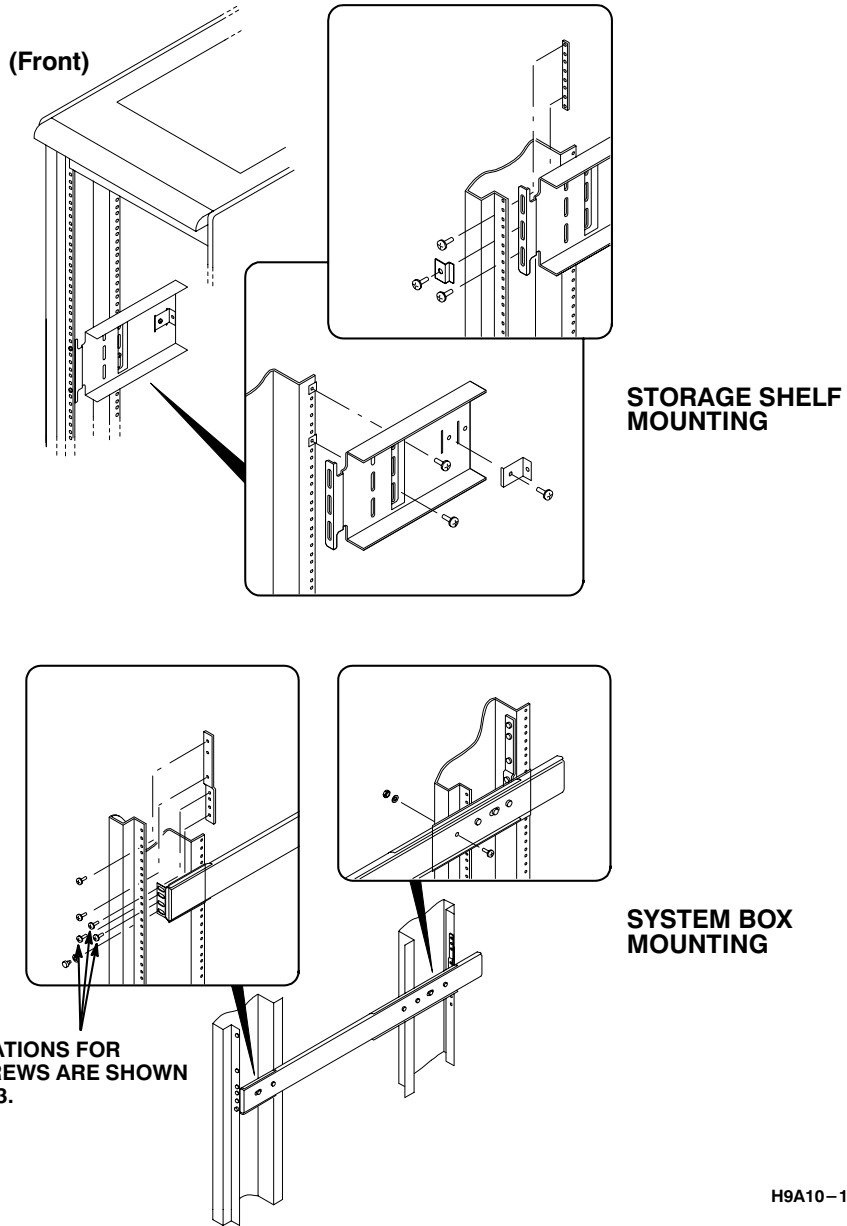


H9A10-18

Figure 7. Cabinet Assembly, H9A10-EL/EM (Sheet 1 of 4)

☞ INDICATES FRU LEVEL PARTS.

PARTS LIST



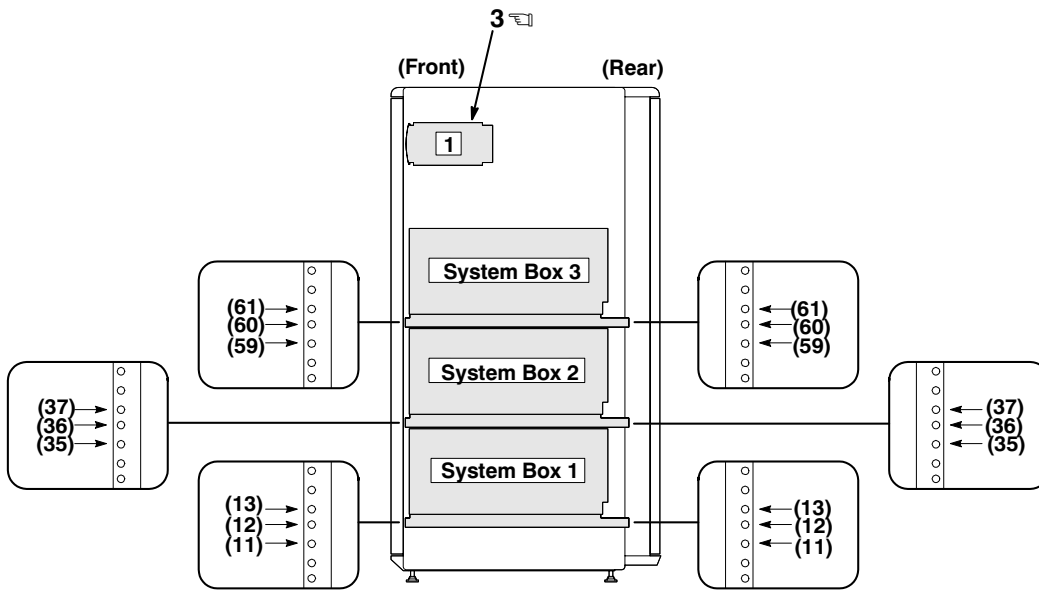
H9A10-19

Figure 7. Cabinet Assembly, H9A10-EL/EM (Sheet 2 of 4)



INDICATES FRU LEVEL PARTS.

PARTS LIST



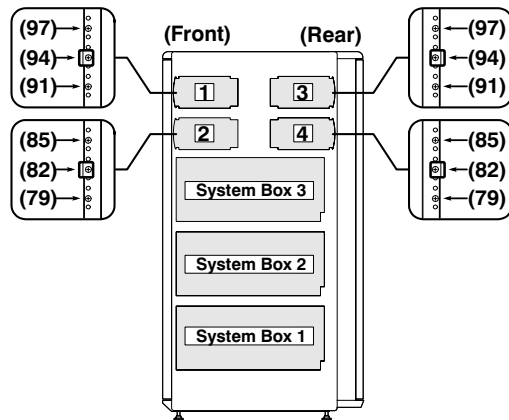
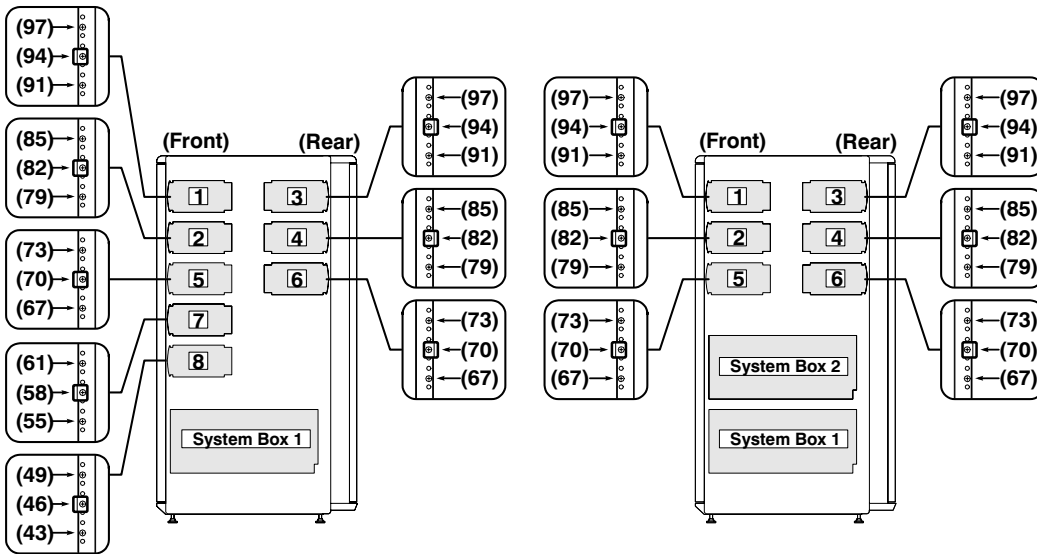
### SYSTEM BOX MOUNTING LOCATIONS

H9A10-20

Figure 7. Cabinet Assembly, H9A10-EL/EM (Sheet 3 of 4)

INDICATES FRU LEVEL PARTS.

PARTS LIST



**STORAGE SHELF MOUNTING LOCATIONS**

H9A10-21

*Figure 7. Cabinet Assembly, H9A10-EL/EM (Sheet 4 of 4)*

FIG. & ITEM NO.	DESCRIPTION	DIGITAL PART NO. <sup>A</sup>	ECO CUT-IN H9A10 0000	USED ON CODE	REF FIG NO.
7- A	CABINET ASSEMBLY, 1.7M x 600 MM (RETMA) (U.S./Japan) (120V)	H9A10-EL		A	
B	CABINET ASSEMBLY, 1.7M x 600 MM (METRIC) (Europe) (240V)	H9A10-EM		B	
1	*Cabinet Assembly, 1.7M x 600 mm (120V)	H9A10-EF		A	
2	*Cabinet Assembly, 1.7M x 600 mm (240V)	H9A10-EH		B	
3	*Disk Drive, Wide SCSI, 4.3 GB	RZ29B-VW			
4	*Shelf, Cabinet StorageWorks (Not Shown)	BA36R-RA			
5	*Label, "Direct Thermal"	36-28231-08			
6	*Label, "Regulatory", N.A. Rack (U.S.)	36-41348-68		A	
7	*Label, "Regulatory", N.A. Rack (U.K.)	36-41348-69		A	
8	*Label, "Regulatory", N.A. Rack (Singapore)	36-41348-70		A	
9	*Label, "Regulatory", Euro Rack (U.S.)	36-41348-71		B	
10	*Label, "Regulatory", Euro Rack (U.K.)	36-41348-72		B	
11	*Label, "Regulatory", Euro Rack (Singapore)	36-41348-73		B	



**PART NUMBER/DESCRIPTION INDEX** 



## INDEX BY DIGITAL PART NUMBER

AlphaServer 4000/4100 Series

PART NUMBER	DESCRIPTION	FIG.-ITEM NUMBER
12-23501-01	Power Strip	5-1
12-23609-21	Fan (4 1/2 Inch)	2-6, 3-8, 4-6
12-24023-01	Cable, w/Wrist Strap (Not Shown)	6-1
12-45334-02	Connector, Power Strip	5-2, 6-2
12-47062-02	Clamp, Cable (w/Mounting Hole)	2-37, 3-9, 5-14
17-00606-02	Power Cord 125V (Not Shown)	2-41, 3-10, 4-37
17-04016-01	Cable, 06 Cond., Keyboard (Not Shown)	6-33
17-04196-01	Cable, RIO	2-20, 3-21, 4-20
17-04199-01	Cable, Current Share	2-8A, 4-8A
17-04200-01	Cable, Floppy Signal, 34 Pos.	2-21, 3-22, 4-21
17-04201-01	Cable, OCP to Saddle, 10 Pos. (800 mm)	2-22, 3-23, 4-22
17-04201-02	Cable, OCP Switch Board	2-23, 3-24, 4-23
17-04217-01	Cable, Power Harness	2-24, 4-24
17-04285-01	Cable, Power Cord (Not Shown)	6-3
17-04285-02	Cable, Power Cord (Not Shown)	2-42, 3-11, 4-38, 6-4
17-04285-03	Cable, Power Cord (Not Shown)	6-5
17-04292-01	Cable, SCSI CD-ROM to Bulkhead	2-25, 3-26, 4-25
17-04349-01	Cable, SCM (Jumper, 12V)	2-26, 3-27, 4-26
17-04350-01	Cable, SCM (34 Pos. Jumper)	2-27, 3-28, 4-27
17-04351-01	Cable, SCM (Power Jumper, 12V)	2-28, 4-28
17-04363-01	Cable, SCM (16 Pos. Jumper)	2-29, 3-29, 4-29
17-04385-01	Cable, Power Harness	3-25
22-12867-01	Kit, Rack Mount (Not Shown)	6-6
22-13542-01	Kit, Stabilizer (Not Shown)	6-7
22-13569-01	KIT, CABLE ASSEMBLY (Not Shown)	2-19, 4-19
22-13594-01	KIT, CABLE ASSEMBLY (Not Shown)	3-20
30-43049-01	LCD LED Backlite	2-7, 3-12, 4-7
30-44712-01	Power Supply 92-264V	2-8, 3-13, 4-8
30-45353-01	Box, AC Input (U.S./Japan)	6-8
30-45353-02	Box, AC Input (Europe)	6-9
30-46485-01	Power Supply 120V	5-3
30-46485-05	Power Supply 230V	5-4
301AA-AB	AlphaServer 4100 Model EV5 Uncached CPU (300 MHz) 1-A	
301CA-AB	AlphaServer 4000 Model EV5.6 Uncached CPU (300 MHz) 1-L	
302AA-AA	AlphaServer 4100 Model EV5 1MB Cached CPU (300 MHz) 1-B	
302AA-AB	AlphaServer 4100 Model EV5 2MB Cached CPU (300 MHz) 1-C	
302CA-AB	AlphaServer 4000 Model EV5 2MB Cached CPU (300 MHz) 1-M	
304AA-AB	AlphaServer 4100 Model EV5.6 2MB Cached CPU (300 MHz) 1-D	
304AA-AC	AlphaServer 4100 Model EV5.6 4MB Cached CPU (400 MHz) 1-E	
304AA-AD	AlphaServer 4100 Model EV5.6 4MB Cached CPU (466 MHz) 1-F	
304AA-BB	AlphaServer 4100 Model EV5.6 2MB Cached CPU (300 MHz) 1-H	
304AA-BC	AlphaServer 4100 Model EV5.6 4MB Cached CPU (400 MHz) 1-J	
304AA-BD	AlphaServer 4100 Model EV5.6 4MB Cached CPU (466 MHz) 1-K	
304BA-AB	AlphaServer 4000 Model EV5.6 2MB Cached CPU (300 MHz) 1-R	
304BA-AC	AlphaServer 4000 Model EV5.6 4MB Cached CPU (400 MHz) 1-S	
304BA-AD	AlphaServer 4000 Model EV5.6 4MB Cached CPU (466 MHz) 1-T	
304CA-AC	AlphaServer 4000 Model EV5.6 4MB Cached CPU (400 MHz) 1-N	
304CA-AD	AlphaServer 4000 Model EV5.6 4MB Cached CPU (466 MHz) 1-P	

## INDEX BY DIGITAL PART NUMBER

AlphaServer 4000/4100 Series

PART NUMBER	DESCRIPTION	FIG.-ITEM NUMBER
36-22516-01	Label, "Warning High Leakage Current"	6-10
36-28231-08	Label, "Direct Thermal"	6-22, 7-5
36-41348-36	Label, "Regulatory", N.A. Rack (Singapore)	6-31
36-41348-37	Label, "Regulatory", Euro Rack (U.K.)	6-30
36-41348-38	Label, "Regulatory", N.A. Rack (U.S.)	5-16
36-41348-39	Label, "Regulatory", Euro Rack (U.K.)	5-18
36-41348-41	Label, "Regulatory", N.A. Pedestal (U.K.)	5-17
36-41348-42	Label, "Regulatory", Euro Pedestal (U.S.)	5-19
36-41348-43	Label, "Regulatory", N.A. Rack (U.S.)	6-27
36-41348-44	Label, "Regulatory", N.A. Rack (U.K.)	6-28
36-41348-51	Label, "Regulatory", N.A. Pedestal (Singapore)	5-20
36-41348-52	Label, "Regulatory", Euro Pedestal (Singapore)	5-21
36-41348-53	Label, "Regulatory", Euro Rack (U.S.)	6-29
36-41348-54	Label, "Regulatory", Euro Rack (Singapore)	6-32
36-41348-68	Label, "Regulatory", N.A. Rack (U.S.)	7-6
36-41348-69	Label, "Regulatory", N.A. Rack (U.K.)	7-7
36-41348-70	Label, "Regulatory", N.A. Rack (Singapore)	7-8
36-41348-71	Label, "Regulatory", Euro Rack (U.S.)	7-9
36-41348-72	Label, "Regulatory", Euro Rack (U.K.)	7-10
36-41348-73	Label, "Regulatory", Euro Rack (Singapore)	7-11
36-41956-01	Label, "Caution/Disconnect" Icon	2-9, 3-14, 4-9
36-45161-01	Label, "Enclosure" Logo	2-10
36-45161-02	Label, "Enclosure" Logo	3-15, 4-10
36-46176-01	Label, "I/O" Memory Slot Numbers	2-11
36-46176-02	Label, "I/O" Memory Slot Numbers	4-11
36-46176-03	Label, "I/O" Memory Slot Numbers	3-16
36-47685-01	Label, "Regulatory Blank"	3-17
36-47685-02	Label, "Regulatory" (U.S.)	2-33, 4-32
36-47685-03	Label, "Regulatory" (U.K.)	2-34, 4-33
36-47685-04	Label, "Regulatory" (Singapore)	2-32, 4-34
36-48064-01	Label, "Caution System Unit Removal"	6-26
37-01522-02	Package Assembly (Not Shown)	2-12, 3-18, 4-12
37-01522-03	Package Assembly (Not Shown)	2-12, 3-18
37-01524-06	Package Assembly (Not Shown)	6-11
37-01637-01	Package Assembly (Not Shown)	5-5
54-23803-01	Module, IIP System	2-13
54-23803-02	Module, IIP System	4-13
54-23805-01	Module, PIO System	3-30
54-24117-01	Module, Power Control	2-14, 3-31, 4-14
54-24364-01	Module, OCP Logic	2-15, 3-32, 4-15
54-24366-01	Module, OCP Switch	2-16, 3-33, 4-16
54-24674-01	Module, Server Control	2-17, 3-34, 4-17
70-31961-01	CHASSIS ASSEMBLY	2-18, 4-18
70-31989-02	OCP Assembly	2-40, 3-35, 5-6
70-31990-01	Weldment, OCP Housing	2-39, 3-36
70-32001-01	Cab Assembly, 1.7M, 600 mm, IEC	6-12
70-32001-02	Cab Assembly, 1.7M, 600 mm, EIA	6-13
70-32009-01	CHASSIS ASSEMBLY	3-19
70-32013-01	Door Assembly, Pedestal	5-7
70-32020-01	Bulkhead, Cable Assembly	2-38, 3-37
70-32023-01	Pedestal Assembly (w/OCP)	5-8
70-32023-02	Pedestal Assembly (w/o OCP)	5-22
70-32032-01	Fan Tray, Cabinet	6-14



## INDEX BY DIGITAL PART NUMBER

AlphaServer 4000/4100 Series

PART NUMBER	DESCRIPTION	FIG.-ITEM NUMBER
74-49788-01	Rack, Cable	5-9
74-49793-01	Logo, Digital	6-16
74-49793-03	Logo, Digital	5-10
74-50504-01	Bracket, Power Bar Mounting	6-17
74-50504-02	Bracket, Power Bar Mounting	6-18
74-51195-01	Bracket, Shield	5-11
74-51261-01	Logo, Cabinet Bar	6-15
90-07786-04	Nut, U-, M5	6-19
90-07867-00	Mount, Cable Tie Push	6-24
90-07880-00	Tie, Cable	6-23
90-09636-00	Clamp, Cable (Adhesive Mount)	2-36, 3-38, 4-35
90-09984-18	Screw, Sems M5 Pan 12 mm	5-12
90-09984-19	Screw, Sems M4 Pan 8 mm	2-30, 3-39, 4-30, 5-13
90-09984-20	Screw, Sems M3 Pan 6 mm	2-31, 3-40, 4-31, 5-15
90-09984-22	Screw, Sems M5 Pan 18 mm	6-20
90-09984-29	Screw, Sems M3.5 Pan 8 mm	6-21
90-11096-01	Tie, Cable	2-35, 3-41, 4-36
90-40148-02	Nut, Kep M5	6-25
B3001-CA	Module, Uncached CPU w/MC Bus (300 MHz)	1-2
B3002-AA	Module, Cached CPU w/MC Bus 1MB (300 MHz)	1-2
B3002-AB	Module, Cached CPU w/MC Bus 2MB (300 MHz)	1-2
B3004-AA	Module, Cached CPU w/MC Bus 4MB (400 MHz)	1-2
B3004-BA	Module, Cached CPU w/MC Bus 2MB (300 MHz)	1-2
B3004-DA	Module, Cached CPU w/MC Bus 4MB (466 MHz)	1-2
B3040-AA	Module, MC Bus to PCI Bus Bridge	2-1, 3-1, 4-1
B3040-AB	Module, MC Bus to PCI Bus Bridge	3-2
B3050-AA	Module, I/O Bus	2-2, 3-3, 4-2
B3051-AA	Module, I/O Bus	3-4
BA30A-AA	ENCLOSURE ASSEMBLY, BA30A w/o Mezzanine	1-1, 2-A
BA30A-BA	ENCLOSURE ASSEMBLY, BA30A w/Mezzanine	1-1, 2-B
BA30B-AA	ENCLOSURE ASSY., BA30B w/o Mezzanine	1-1, 3-A
BA30B-AB	ENCLOSURE ASSY., BA30B w/o Mezzanine	1-1, 3-B
BA30B-BA	ENCLOSURE ASSY., BA30B w/Mezzanine	1-1, 3-C
BA30B-BB	ENCLOSURE ASSY., BA30B w/Mezzanine	1-1, 3-D
BA30C-AA	ENCLOSURE ASSEMBLY, BA30C	4-N/A, 1-1
BA30P-AA	PEDESTAL ASSEMBLY, BA30P	1-3, 5-A
BA30P-AB	PEDESTAL ASSEMBLY, BA30P	1-3, 5-E
BA30P-BA	PEDESTAL ASSEMBLY, BA30P	1-3, 5-B
BA30P-BB	PEDESTAL ASSEMBLY, BA30P	1-3, 5-F
BA30P-CA	PEDESTAL ASSEMBLY, BA30P	1-3, 5-C
BA30P-CB	PEDESTAL ASSEMBLY, BA30P	1-3, 5-H
BA30P-DA	PEDESTAL ASSEMBLY, BA30P	1-3, 5-D
BA30P-DB	PEDESTAL ASSEMBLY, BA30P	1-3, 5-J
BA36R-JA	Shelf, Cabinet StorageWorks (Not Shown)	6-37
BA36R-RA	Shelf, Cabinet StorageWorks (Not Shown)	6-36, 7-4
BA36R-SB	Shelf, Pedestal StorageWorks	5-24
BC13L-10	Cable, PC Video (Not Shown)	6-34

**INDEX BY DIGITAL PART NUMBER**  
AlphaServer 4000/4100 Series

PART NUMBER	DESCRIPTION	FIG.-ITEM NUMBER
H8571-J	Adapter, DECstation 2000, 9-Pin Serial	2-3, 3-5, 4-3
H9A10-EB	CABINET ASSEMBLY, 1.7M x 600 MM (RETMA) (U.S./Japan) (240V)	1-4, 6-A
H9A10-EC	CABINET ASSEMBLY, 1.7M x 600 MM (METRIC) (Europe) (240V)	1-4, 6-B
H9A10-ED	CABINET ASSEMBLY, 1.7M x 600 MM (RETMA) (U.S./Japan) (240V)	1-4, 6-C
H9A10-EE	CABINET ASSEMBLY, 1.7M x 600 MM (METRIC) (Europe) (240V)	1-4, 6-D
H9A10-EF	Cabinet Assembly, 1.7M x 600 mm (120V)	7-1
H9A10-EH	Cabinet Assembly, 1.7M x 600 mm (240V)	7-2
H9A10-EL	CABINET ASSEMBLY, 1.7M x 600 MM (RETMA) (U.S./Japan) (120V)	1-4, 7-A
H9A10-EM	CABINET ASSEMBLY, 1.7M x 600 MM (METRIC) (Europe) (240V)	1-4, 7-B
RRD46-AB	CD-ROM (12X)	2-4, 3-6, 4-4
RX23L-AB	Disk Drive (1.44 MB)	2-5, 3-7, 4-5
RZ29B-VW	Disk Drive, Wide SCSI, 4.3 GB	5-23, 6-35, 7-3

## INDEX BY DIGITAL PART DESCRIPTION

AlphaServer 4000/4100 Series

DESCRIPTION	PART NUMBER	FIG.-ITEM NUMBER
Adapter, DECstation 2000, 9-Pin Serial	H8571-J	2-3, 3-5, 4-3
AlphaServer 4000 Model EV5 2MB Cached CPU (300 MHz)	302CA-AB	1-M
AlphaServer 4000 Model EV5.6 2MB Cached CPU (300 MHz)	304BA-AB	1-R
AlphaServer 4000 Model EV5.6 4MB Cached CPU (400 MHz)	304CA-AC	1-N
AlphaServer 4000 Model EV5.6 4MB Cached CPU (400 MHz)	304BA-AC	1-S
AlphaServer 4000 Model EV5.6 4MB Cached CPU (466 MHz)	304BA-AD	1-T
AlphaServer 4000 Model EV5.6 4MB Cached CPU (466 MHz)	304CA-AD	1-P
AlphaServer 4000 Model EV5.6 Uncached CPU (300 MHz)	301CA-AB	1-L
AlphaServer 4100 Model EV5 1MB Cached CPU (300 MHz)	302AA-AA	1-B
AlphaServer 4100 Model EV5 2MB Cached CPU (300 MHz)	302AA-AB	1-C
AlphaServer 4100 Model EV5 Uncached CPU (300 MHz)	301AA-AB	1-A
AlphaServer 4100 Model EV5.6 2MB Cached CPU (300 MHz)	304AA-AB	1-D
AlphaServer 4100 Model EV5.6 2MB Cached CPU (300 MHz)	304AA-BB	1-H
AlphaServer 4100 Model EV5.6 4MB Cached CPU (400 MHz)	304AA-AC	1-E
AlphaServer 4100 Model EV5.6 4MB Cached CPU (400 MHz)	304AA-BC	1-J
AlphaServer 4100 Model EV5.6 4MB Cached CPU (466 MHz)	304AA-AD	1-F
AlphaServer 4100 Model EV5.6 4MB Cached CPU (466 MHz)	304AA-BD	1-K
Box, AC Input (Europe)	30-45353-02	6-9
Box, AC Input (U.S./Japan)	30-45353-01	6-8
Bracket, Power Bar Mounting	74-50504-01	6-17
Bracket, Power Bar Mounting	74-50504-02	6-18
Bracket, Shield	74-51195-01	5-11
Bulkhead, Cable Assembly	70-32020-01	2-38, 3-37
CABINET ASSEMBLY, 1.7M x 600 MM (METRIC) (Europe) (240V)	H9A10-EC	1-4, 6-E
CABINET ASSEMBLY, 1.7M x 600 MM (METRIC) (Europe) (240V)	H9A10-EE	1-4, 6-D
CABINET ASSEMBLY, 1.7M x 600 MM (METRIC) (Europe) (240V)	H9A10-EM	1-4, 7-B
CABINET ASSEMBLY, 1.7M x 600 MM (RETMA) (U.S./Japan) (120V)	H9A10-EL	1-4, 7-A
CABINET ASSEMBLY, 1.7M x 600 MM (RETMA) (U.S./Japan) (240V)	H9A10-EB	1-4, 6-A
CABINET ASSEMBLY, 1.7M x 600 MM (RETMA) (U.S./Japan) (240V)	H9A10-ED	1-4, 6-C
Cab Assembly, 1.7M, 600 mm, EIA	70-32001-02	6-13
Cab Assembly, 1.7M, 600 mm, IEC	70-32001-01	6-12
Cabinet Assembly, 1.7M x 600 mm (120V)	H9A10-EF	7-1
Cabinet Assembly, 1.7M x 600 mm (240V)	H9A10-EH	7-2
Cable, 06 Cond., Keyboard (Not Shown)	17-04016-01	6-33
Cable, Current Share	17-04199-01	2-8A, 4-8A
Cable, Floppy Signal, 34 Pos.	17-04200-01	2-21, 3-22, 4-21
Cable, OCP Switch Board	17-04201-02	2-23, 3-24, 4-23
Cable, OCP to Saddle, 10 Pos. (800 mm)	17-04201-01	2-22, 3-23, 4-22
Cable, PC Video (Not Shown)	BC13L-10	6-34
Cable, Power Cord (Not Shown)	17-04285-01	6-3
Cable, Power Cord (Not Shown)	17-04285-02	2-42, 3-11, 4-38, 6-4
Cable, Power Cord (Not Shown)	17-04285-03	6-5
Cable, Power Harness	17-04385-01	3-25
Cable, Power Harness	17-04217-01	2-24, 4-24
Cable, RIO	17-04196-01	2-20, 3-21, 4-20

## INDEX BY DIGITAL PART DESCRIPTION

AlphaServer 4000/4100 Series

DESCRIPTION	PART NUMBER	FIG.-ITEM NUMBER
Cable, SCM (16 Pos. Jumper)	17-04363-01	2-29, 3-29, 4-29
Cable, SCM (34 Pos. Jumper)	17-04350-01	2-27, 3-28, 4-27
Cable, SCM (Jumper, 12V)	17-04349-01	2-26, 3-27, 4-26
Cable, SCM (Power Jumper, 12V)	17-04351-01	2-28, 4-28
Cable, SCSI CD-ROM to Bulkhead	17-04292-01	2-25, 3-26, 4-25
Cable, w/Wrist Strap (Not Shown)	12-24023-01	6-1
CD-ROM (12X)	RRD46-AB	2-4, 3-6, 4-4
CHASSIS ASSEMBLY	70-32009-01	3-19
CHASSIS ASSEMBLY	70-31961-01	2-1, 4-18
Clamp, Cable (w/Mounting Hole)	12-47062-02	2-37, 3-9, 5-14
Clamp, Cable (Adhesive Mount)	90-09636-00	2-36, 3-38, 4-35
Connector, Power Strip	12-45334-02	5-2, 6-2
Disk Drive (1.44 MB)	RX23L-AB	2-5, 3-7, 4-5
Disk Drive, Wide SCSI, 4.3 GB	RZ29B-VW	5-23, 6-35, 7-3
Door Assembly, Pedestal	70-32013-01	5-7
ENCLOSURE ASSEMBLY, BA30A w/Mezzanine	BA30A-BA	1-1, 2-B
ENCLOSURE ASSEMBLY, BA30B w/Mezzanine	BA30B-BA	1-1, 3-C
ENCLOSURE ASSEMBLY, BA30B w/Mezzanine	BA30B-BB	1-1, 3-D
ENCLOSURE ASSEMBLY, BA30A w/o Mezzanine	BA30A-AA	1-1, 2-A
ENCLOSURE ASSY., BA30B w/o Mezzanine	BA30B-AA	1-1, 3-A
ENCLOSURE ASSY., BA30B w/o Mezzanine	BA30B-AB	1-1, 3-B
ENCLOSURE ASSY., BA30C	BA30C-AA	1-1, 4-N/A
Fan (4 1/2 Inch)	12-23609-21	2-6, 3-8, 4-6
Fan Tray, Cabinet	70-32032-01	6-14
KIT, CABLE ASSEMBLY (Not Shown)	22-13594-01	2-19, 3-20
KIT, CABLE ASSEMBLY (Not Shown)	22-13569-01	2-19, 4-19
Kit, Rack Mount (Not Shown)	22-12867-01	6-6
Kit, Stabilizer (Not Shown)	22-13542-01	6-7
Label, "Caution System Unit Removal"	36-48064-01	6-26
Label, "Caution/Disconnect" Icon	36-41956-01	2-9, 3-14, 4-9
Label, "Direct Thermal"	36-28231-08	6-22, 7-5
Label, "Enclosure" Logo	36-45161-02	3-15, 4-10
Label, "Enclosure" Logo	36-45161-01	2-10
Label, "I/O" Memory Slot Numbers	36-46176-03	3-16
Label, "I/O" Memory Slot Numbers	36-46176-01	2-11
Label, "I/O" Memory Slot Numbers	36-46176-02	4-11
Label, "Regulatory Blank"	36-47685-01	3-17
Label, "Regulatory" (Singapore)	36-47685-04	2-32, 4-34
Label, "Regulatory" (U.K.)	36-47685-03	2-34, 4-33
Label, "Regulatory" (U.K.)		
Label, "Regulatory" (U.S.)	36-47685-02	2-33, 4-32
Label, "Regulatory", Euro Pedestal (Singapore)	36-41348-52	5-21
Label, "Regulatory", Euro Pedestal (U.S.)	36-41348-42	5-19
Label, "Regulatory", Euro Rack (U.K.)	36-41348-72	7-10
Label, "Regulatory", Euro Rack (U.K.)	36-41348-37	6-30
Label, "Regulatory", Euro Rack (U.K.)	36-41348-39	5-18
Label, "Regulatory", Euro Rack (U.S.)	36-41348-71	7-9
Label, "Regulatory", Euro Rack (U.S.)	36-41348-53	6-29
Label, "Regulatory", N.A. Pedestal (Singapore)	36-41348-51	5-20
Label, "Regulatory", N.A. Pedestal (U.K.)	36-41348-41	5-17
Label, "Regulatory", N.A. Rack (U.K.)	36-41348-69	7-7

## INDEX BY DIGITAL PART DESCRIPTION

AlphaServer 4000/4100 Series

DESCRIPTION	PART NUMBER	FIG. - ITEM NUMBER
Label, "Regulatory", N.A. Rack (U.K.)	36-41348-44	6-28
Label, "Regulatory", N.A. Rack (U.S.)	36-41348-68	7-6
Label, "Regulatory", N.A. Rack (U.S.)	36-41348-43	6-27
Label, "Regulatory", N.A. Rack (U.S.)	36-41348-38	5-16
Label, "Regulatory", Euro Rack (Singapore)	36-41348-73	7-11
Label, "Regulatory", Euro Rack (Singapore)	36-41348-54	6-32
Label, "Regulatory", N.A. Rack (Singapore)	36-41348-70	7-8
Label, "Regulatory", N.A. Rack (Singapore)	36-41348-36	6-31
Label, "Warning High Leakage Current"	36-22516-01	6-10
LCD LED Backlite	30-43049-01	2-7, 3-12, 4-7
Logo, Cabinet Bar	74-51261-01	6-15
Logo, Digital	74-49793-01	6-16
Logo, Digital	74-49793-03	5-10
Module, Cached CPU w/MC Bus 1MB (300 MHz)	B3002-AA	1-2
Module, Cached CPU w/MC Bus 2MB (300 MHz)	B3002-AB	1-2
Module, Cached CPU w/MC Bus 2MB (300 MHz)	B3004-BA	1-2
Module, Cached CPU w/MC Bus 4MB (400 MHz)	B3004-AA	1-2
Module, Cached CPU w/MC Bus 4MB (466 MHz)	B3004-DA	1-2
Module, I/O Bus	B3050-AA	2-2, 3-3, 4-2
Module, I/O Bus	B3051-AA	3-4
Module, IIP System	54-23803-02	4-13
Module, IIP System	54-23803-01	2-13
Module, MC Bus to PCI Bus Bridge	B3040-AA	2-1, 3-1, 4-1
Module, MC Bus to PCI Bus Bridge	B3040-AB	3-2
Module, OCP Logic	54-24364-01	2-15, 3-32, 4-15
Module, OCP Switch	54-24366-01	2-16, 3-33, 4-16
Module, PIO System	54-23805-01	3-30
Module, Power Control	54-24117-01	2-14, 3-31, 4-14
Module, Server Control	54-24674-01	2-17, 3-34, 4-17
Module, Uncached CPU w/MC Bus (300 MHz)	B3001-CA	1-2
Mount, Cable Tie Push	90-07867-00	6-24
Nut, Kep M5	90-40148-02	6-25
Nut, U-, M5	90-07786-04	6-19
OCP Assembly	70-31989-02	2-40, 3-35, 5-6
Package Assembly (Not Shown)	37-01524-06	6-11
Package Assembly (Not Shown)	37-01522-02	2-12, 3-18, 4-12
Package Assembly (Not Shown)	37-01522-03	2-12, 3-18
Package Assembly (Not Shown)	37-01637-01	5-5
PEDESTAL ASSEMBLY, BA30P	BA30P-AA	1-3, 5-A
PEDESTAL ASSEMBLY, BA30P	BA30P-AB	1-3, 5-E
PEDESTAL ASSEMBLY, BA30P	BA30P-BA	1-3, 5-B
PEDESTAL ASSEMBLY, BA30P	BA30P-BB	1-3, 5-F
PEDESTAL ASSEMBLY, BA30P	BA30P-CA	1-3, 5-C
PEDESTAL ASSEMBLY, BA30P	BA30P-CB	1-3, 5-H
PEDESTAL ASSEMBLY, BA30P	BA30P-DA	1-3, 5-D
PEDESTAL ASSEMBLY, BA30P	BA30P-DB	1-3, 5-J
Pedestal Assembly (w/OCP)	70-32023-01	5-8
Pedestal Assembly (w/o OCP)	70-32023-02	5-22

## INDEX BY DIGITAL PART DESCRIPTION

AlphaServer 4000/4100 Series

DESCRIPTION	PART NUMBER	FIG.-ITEM NUMBER
Power Cord 125V (Not Shown)	17-00606-02	2-41, 3-10, 4-37
Power Strip	12-23501-01	5-1
Power Supply 120V	30-46485-01	5-3
Power Supply 230V	30-46485-05	5-4
Power Supply 92-264V	30-44712-01	2-8, 3-13, 4-8
Rack, Cable	74-49788-01	5-9
Screw, Sems M3 Pan 6 mm	90-09984-20	2-31, 3-40, 4-31, 5-15
Screw, Sems M3.5 Pan 8 mm	90-09984-29	6-21
Screw, Sems M4 Pan 8 mm	90-09984-19	2-30, 3-39, 4-30, 5-13
Screw, Sems M5 Pan 12 mm	90-09984-18	5-12
Screw, Sems M5 Pan 18 mm	90-09984-22	6-20
Shelf, Cabinet StorageWorks (Not Shown)	BA36R-JA	6-37
Shelf, Cabinet StorageWorks (Not Shown)	BA36R-RA	6-36, 7-4
Shelf, Pedestal StorageWorks	BA36R-SB	5-24
Tie, Cable	90-07880-00	6-23
Tie, Cable	90-11096-01	2-35, 3-41, 4-36
Weldment, OCP Housing	70-31990-01	2-39, 3-36