

AlphaServer DS10

Illustrated Parts Breakdown

Order Number: EK-ADS10-IP. A01

Compaq Computer Corporation
Maynard, Massachusetts

Compaq Computer Corporation reserves the right, without notice, to make substitutions and modifications in the specifications of products documented in this manual and further reserves the right to withdraw any of these products from the market without notice.

Compaq Computer Corporation is not responsible for errors which may appear in the technical description (including illustrations and photographs) of the products covered by this manual.

None of the descriptions contained in this manual imply the granting of any license whatsoever to make, use or sell equipment constructed in accordance therewith.

Restricted Rights: Use, duplication or disclosure by the U.S. Government is subject to restrictions as set forth in subparagraph (c) (1) (ii) of the Rights in Technical Data and Computer Software clause at DFARS 252.227-2713.

Copyright ©1999 by Compaq Computer Corporation. All rights reserved.
Printed in U.S.A.

Compaq, the Compaq logo, DEC, Deskpro, DIGITAL, OpenVMS, Proliant and SmartStart registered in United States Patent and Trademark Office.

The following are third party trademarks:

IBM is a registered trademark of International Business Machines, Inc.

Microsoft and Windows NT are registered trademarks of Microsoft Corporation.

UNIX is a registered trademark in the United States and other countries, licensed exclusively through X/Open Company Ltd.

Reader's Comments

Compaq welcomes your comments on this manual.
You can send your comments to Compaq at the address below:

Compaq Computer Corporation
Servers Engineering and Technical Services
129 Parker Street
PKO3-1/20C
Maynard, MA 01754-2199

Please reference EK-ADS10-IP. A01 in your correspondence.

ILLUSTRATED PARTS BREAKDOWN

AlphaServer DS10

ILLUSTRATED PARTS BREAKDOWN (IPB)

The IPB is used to identify a part and its location in a hardware product. The document references specific item numbers in the associated parts list.

HOW TO USE THE IPB

1. Locate the figure containing the item of interest.
2. Locate the number (callout) of the item of interest.
3. Locate that item number in the associated parts list.

FORMAT

Each IPB is generally organized based on its first figure. All other assemblies and subassemblies are referenced from this figure. Each figure contains numeric callouts of all major parts (items).

PARTS LIST

Each parts list contains the following:

Figure and Item No. - Lists the figure number and its referenced numeric callout

Description - Presents the name and a brief description of the item. A single asterisk (*) preceding the description denotes item is a

subassembly to its referenced figure. A double asterisk (**) preceding the description indicates that this item is subordinate to the preceding single asterisk item.

DIGITAL Part No. - Lists the DIGITAL/Vendor part number. The letter in the column heading indicates the current revision level of the Engineering Drawing for the referenced figure.

ECO Cut-In - Lists the top assembly drawing number and revision level at first printing. All additional revisions to an item are listed in this column.

Used On Code - Lists letters referring to the product variation assigned in Figure 1. When this column is blank, the item is used in all variations.

Ref Fig No. - Lists a cross reference between figures within the IPB.

PART NUMBER/PART DESCRIPTION INDEX SECTION

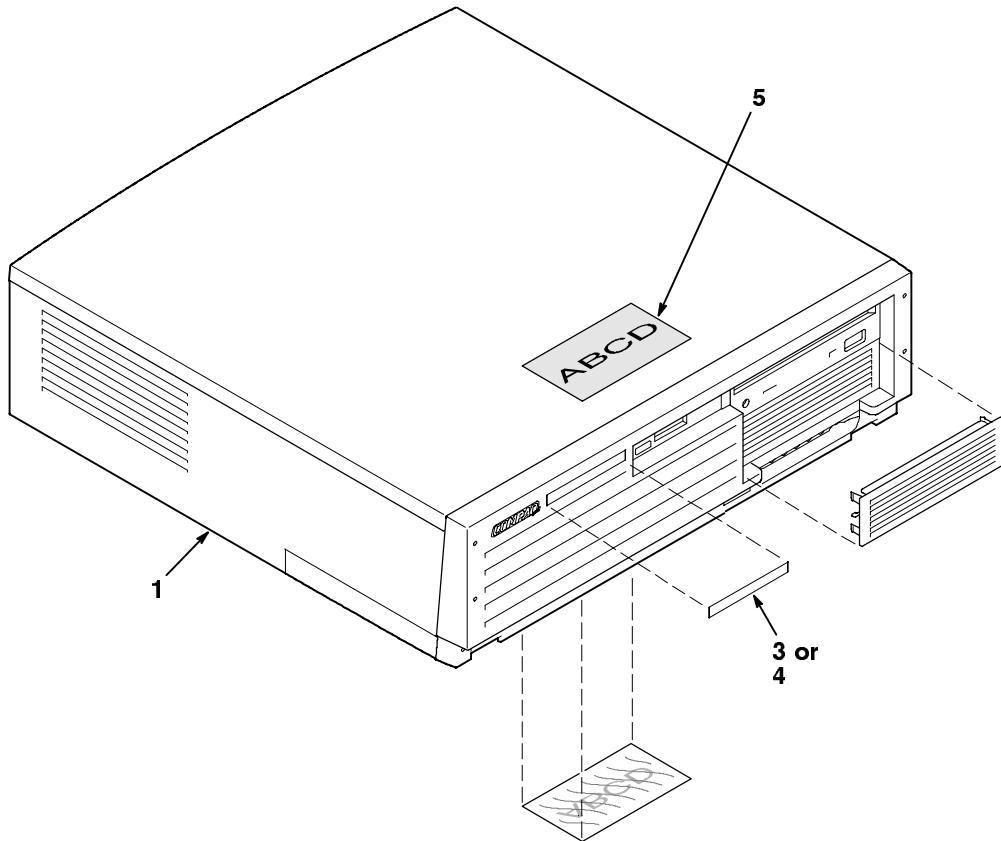
Lists items by part number numerically, and description alphabetically. Items are also referenced to a location within the IPB by figure and item number.

ECO/REVISION HISTORY

ECO/REVISION HISTORY					OTHER IPB MANUALS REFERENCED
FIGURE NO.	ASSEMBLY	INITIAL LEVEL	CURRENT LEVEL	PRINTING DATE	
1	DHPB01A	TWO001	TWO001	MAY 1999	N/A
2	3XPB01A	TWO001	TWO001		

FIG.& ITEM NO.	DESCRIPTION	DIGITAL PART NO.	ECO CUT-IN DHPB10A 00001	USED ON CODE	REF FIG NO.
1-	AlphaServer DS10 6/466 DISTRIBUTOR	DH-PB10A-AA			
1	*AlphaServer DS10 6/466 KERNEL ASSEMBLY	3X-PB01A-AA			2
2	*Power Cord, 125V, 108 Inch (Not Shown)	17-00083-23			
3	*Nameplate, AlphaServer DS10	74-60333-02			
4	*Nameplate, AlphaStation VS10	74-60333-03			
5	*Label, "Caution, System Not Thethered"	36-50844-01			
6	*Package Assembly (Not Shown)	37-01624-02			

☞ ☞ INDICATES FRU LEVEL PARTS.

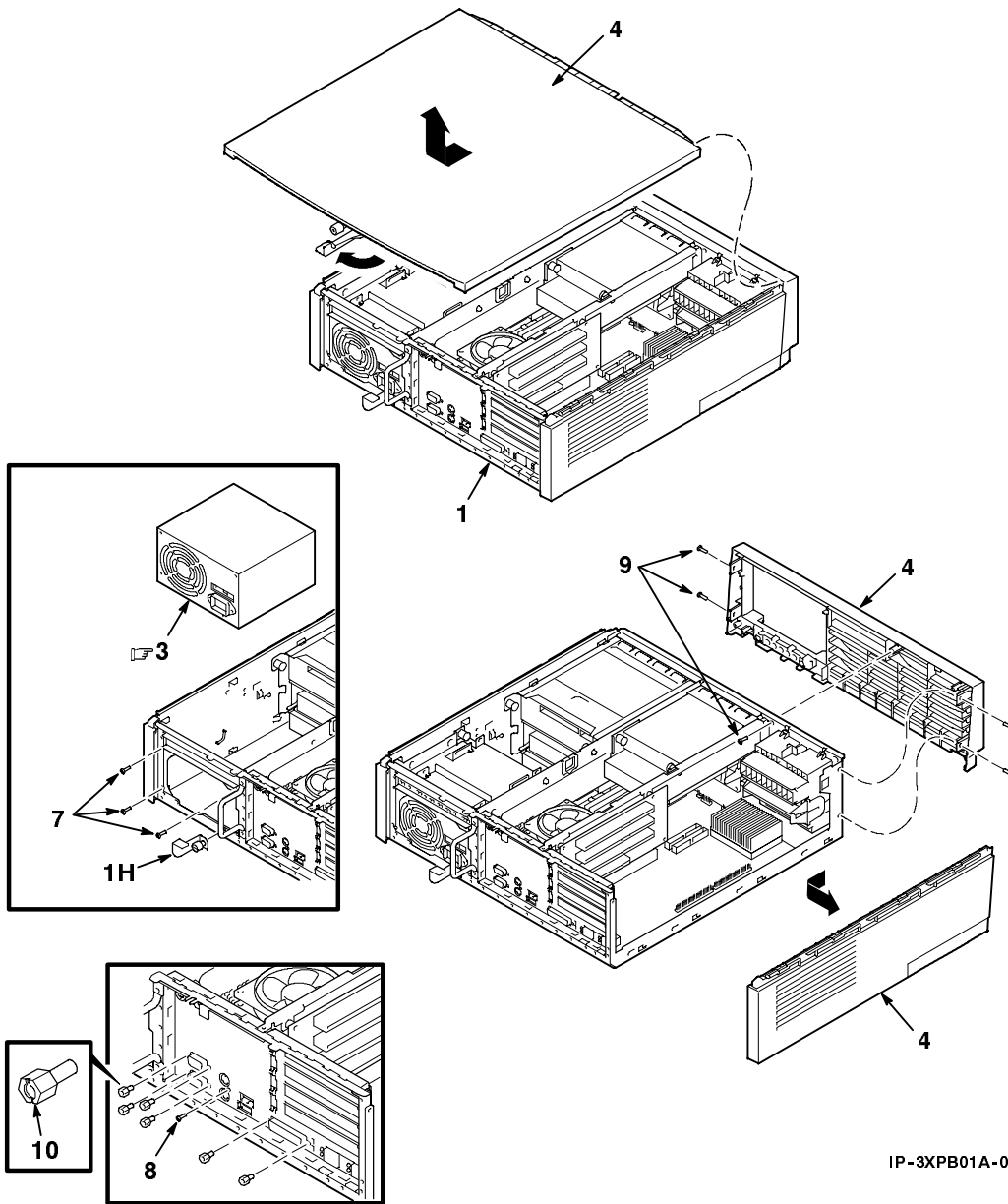


IP-3XPB01A-03

Figure 1. AlphaServer DS20 6/466 Distributor

INDICATES FRU LEVEL PARTS.

PARTS LIST

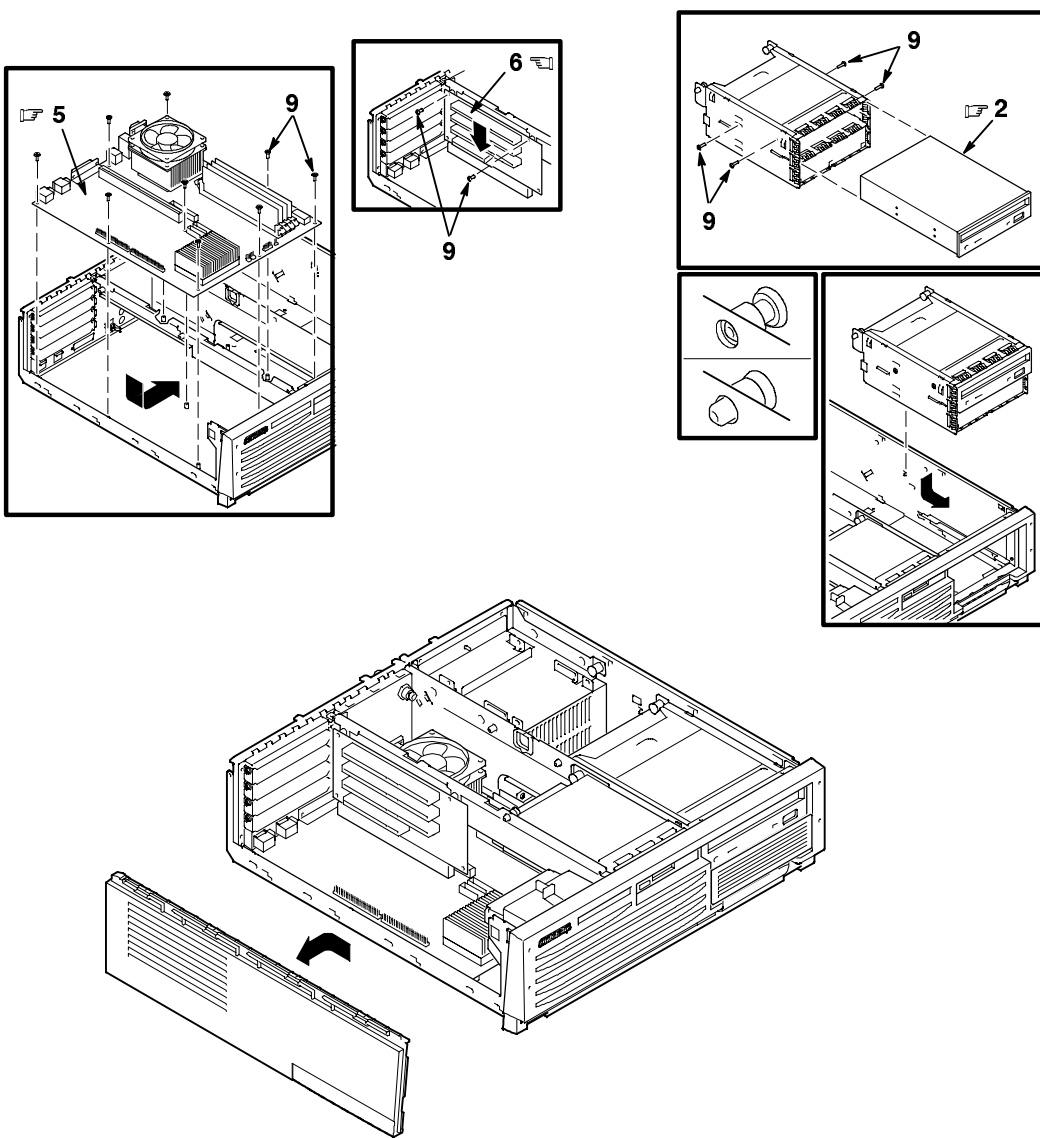


IP-3XPB01A-01

Figure 2. AlphaServer DS10 Kernel Assembly (Sheet 1 of 6)

INDICATES FRU LEVEL PARTS.

PARTS LIST

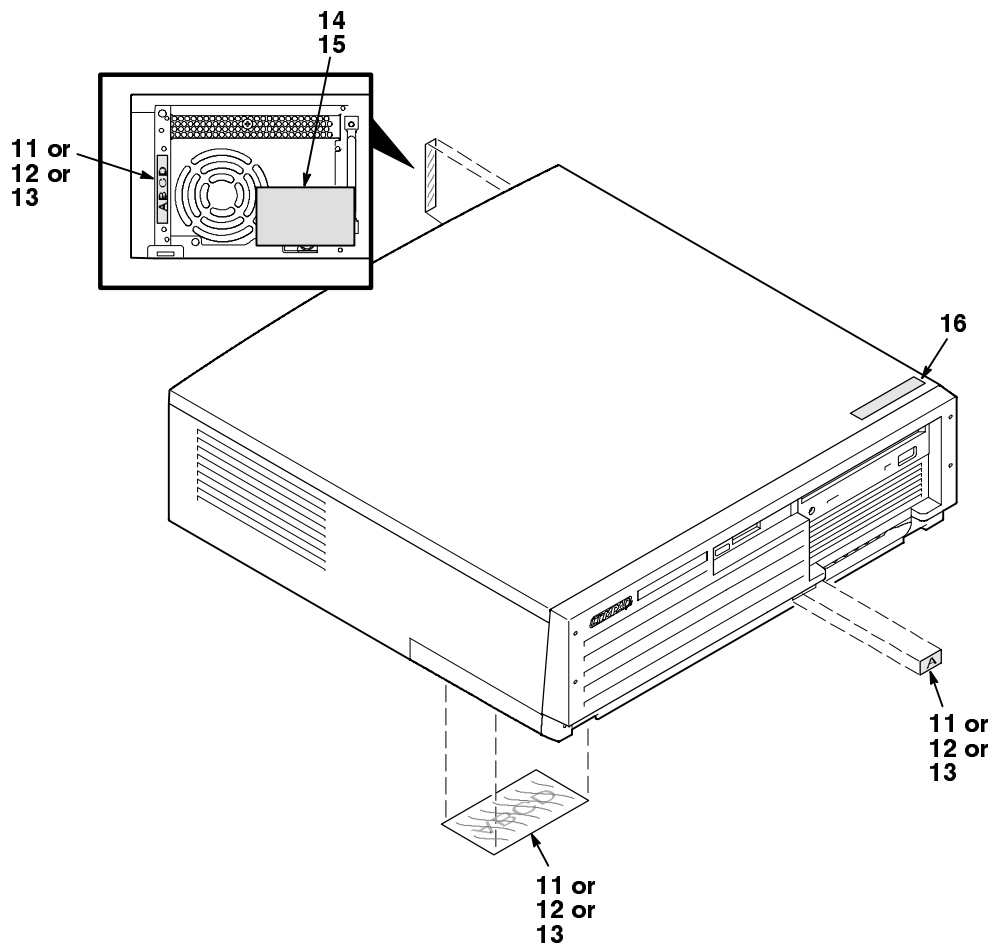


IP-3XPB01A-02

Figure 2. AlphaServer DS10 Kernel Assembly (Sheet 2 of 6)

INDICATES FRU LEVEL PARTS.

PARTS LIST

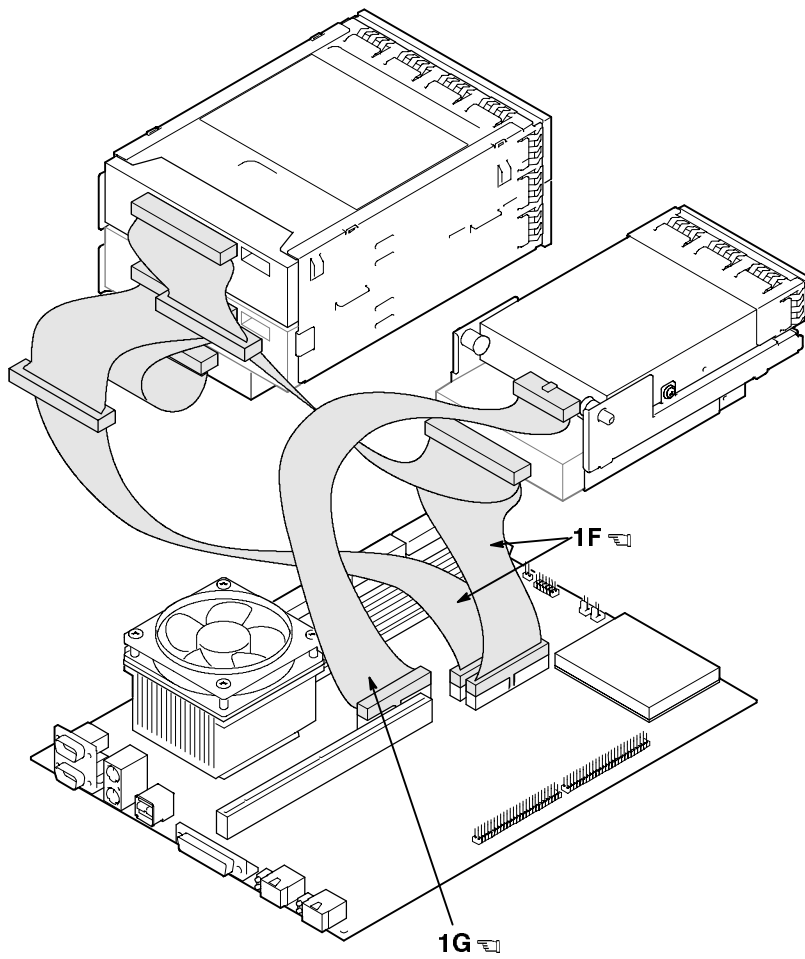


IP-3XPB01A-03

Figure 2. AlphaServer DS10 Kernel Assembly (Sheet 3 of 6)

INDICATES FRU LEVEL PARTS.

PARTS LIST

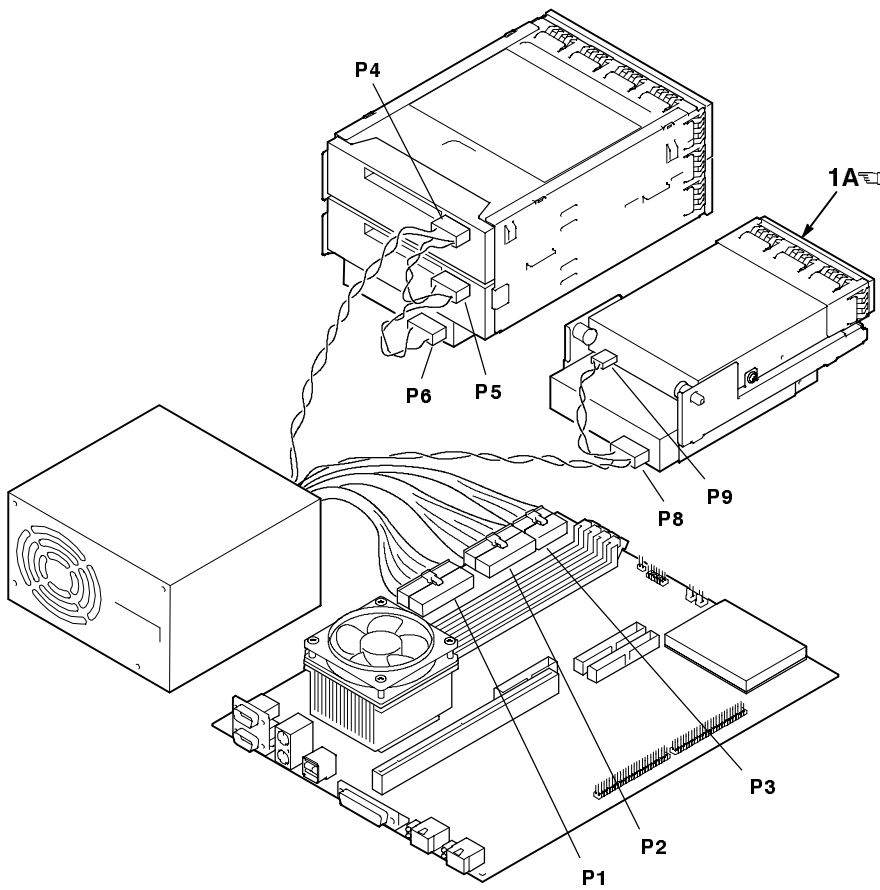


IP-3XPB01A-04

Figure 2. AlphaServer DS10 Kernel Assembly (Sheet 4 of 6)

INDICATES FRU LEVEL PARTS.

PARTS LIST

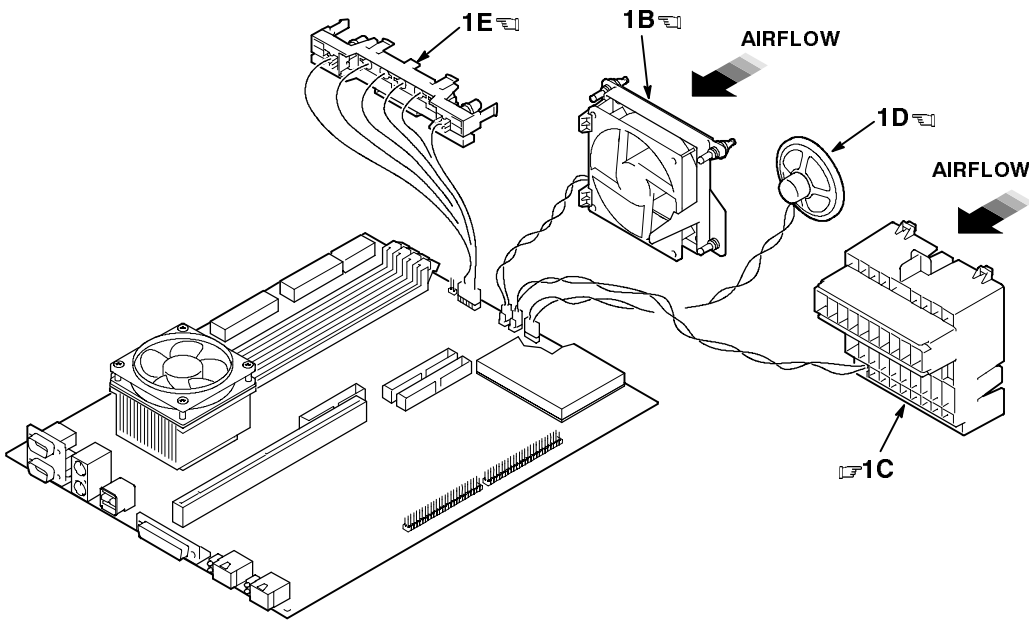


IP-3XPB01A-04A

Figure 2. AlphaServer DS10 Kernel Assembly (Sheet 5 of 6)

INDICATES FRU LEVEL PARTS.

PARTS LIST



IP-3XPB01A-04B

Figure 2. AlphaServer DS10 Kernel Assembly (Sheet 6 of 6)

FIG.& ITEM NO.	DESCRIPTION	DIGITAL PART NO.	^B ECO CUT-IN 3XPB01A 00001	USED ON CODE	REF FIG NO.
2-	AlphaServer DS10 6/466 KERNEL ASSEMBLY	3X-PB10A-AA			1
1	*AlphaServer DS10 UNIT ASSEMBLY	70-40092-01			
☐ 1A	**Floppy Drive (3 1/2 Inch, 1.44 MB)	RX23L-AC			
☐ 1B	**Fan Assembly (80 mm)	12-24701-35			
☐ 1C	**Fan Assembly (92 mm)	12-49806-01			
☐ 1D	**Speaker Assembly	12-49797-01			
☐ 1E	**Switch/LED Assembly	70-40097-01			
☐ 1F	**Cable, IDE	17-04803-01			
☐ 1G	**Cable, Floppy Drive	17-03970-05			
1H	**Power Cable Holder	74-60203-01			
1J	**Cable Channel (Not Shown)	74-60317-01			
☐ 2	*CD-ROM (32X)	3X-RRD32-AC			
☐ 3	*Power Supply, 300W	30-50454-01			
4	*Kit, Skins	70-40171-01			
☐ 5	*Module, CPU	54-30074-01			
☐ 6	*Module, Riser Card	54-30048-01			
7	*Screw, Pan Hd 6-32 x 5/16	90-09984-07			
8	*Screw, Flat Hd 2-28 x 3/16	90-10421-01			
9	*Screw, Pan Hd M3 x 6mm	90-09984-20			
10	*Screw, Lock	90-08451-05			
11	*Label, "Regulatory" (U.S)	36-50843-02			
12	*Label, "Regulatory" (U.K.)	36-50843-03			
13	*Label, "Regulatory" (Singapore)	36-50843-04			
14	*Label, "Warning Equipment Rating, 100-120V	36-17905-16			
15	*Label, "Warning Equipment Rating, 220-240V	36-17905-17			
16	*Label, "Alpha Powered"	36-49200-03			