

AlphaServer DS20

Illustrated Parts Breakdown

Order Number: EK-ADS20-IP. A01

**Digital Equipment Corporation
Maynard, Massachusetts**

Digital Equipment Corporation reserves the right, without notice, to make substitutions and modifications in the specifications of products documented in this manual and further reserves the right to withdraw any of these products from the market without notice.

Digital Equipment Corporation is not responsible for errors which may appear in the technical description (including illustrations and photographs) of the products covered by this manual.

None of the descriptions contained in this manual imply the granting of any license whatsoever to make, use or sell equipment constructed in accordance therewith.

Restricted Rights: Use, duplication or disclosure by the U.S. Government is subject to restrictions as set forth in subparagraph (c) (1) (ii) of the Rights in Technical Data and Computer Software clause at DFARS 252.227-2713.

Copyright © 1998 by Digital Equipment Corporation. All rights reserved.
Printed in U.S.A.

The following are trademarks of Digital Equipment Corporation :
Alpha, AlphaPowered, AlphaServer, DIGITAL, Open VMS, ThinWire and the DIGITAL logo.

The following are third party trademarks:
IBM is a registered trademark of International Business Machines, Inc.
Microsoft and Windows NT are registered trademarks of Microsoft Corporation.
UNIX is a registered trademark in the United States and other countries, licensed exclusively through X/Open Company Ltd.

Reader's Comments

DIGITAL welcomes your comments on this manual.
You can send your comments to DIGITAL at the address below:

Digital Equipment Corporation
Servers Engineering and Technical Services
129 Parker Street
PKO3- 1/20C
Maynard, MA 01754-2199

Please reference EK-ADS20-IP. A01 in your correspondence.

ILLUSTRATED PARTS BREAKDOWN

AlphaServer DS20

ILLUSTRATED PARTS BREAKDOWN (IPB)

The IPB is used to identify a part and its location in a hardware product. The document references specific item numbers in the associated parts list.

HOW TO USE THE IPB

1. Locate the figure containing the item of interest.
2. Locate the number (callout) of the item of interest.
3. Locate that item number in the associated parts list.

FORMAT

Each IPB is generally organized based on its first figure. All other assemblies and subassemblies are referenced from this figure. Each figure contains numeric callouts of all major parts (items).

PARTS LIST

Each parts list contains the following:

Figure and Item No. - Lists the figure number and its referenced numeric callout

Description - Presents the name and a brief description of the item. A single asterisk (*) preceding the description denotes item is a

subassembly to its referenced figure. A double asterisk (**) preceding the description indicates that this item is subordinate to the preceding single asterisk item.

DIGITAL Part No. - Lists the DIGITAL/Vendor part number. The letter in the column heading indicates the current revision level of the Engineering Drawing for the referenced figure.

ECO Cut-In - Lists the top assembly drawing number and revision level at first printing. All additional revisions to an item are listed in this column.

Used On Code - Lists letters referring to the product variation assigned in Figure 1. When this column is blank, the item is used in all variations.

Ref Fig No. - Lists a cross reference between figures within the IPB.

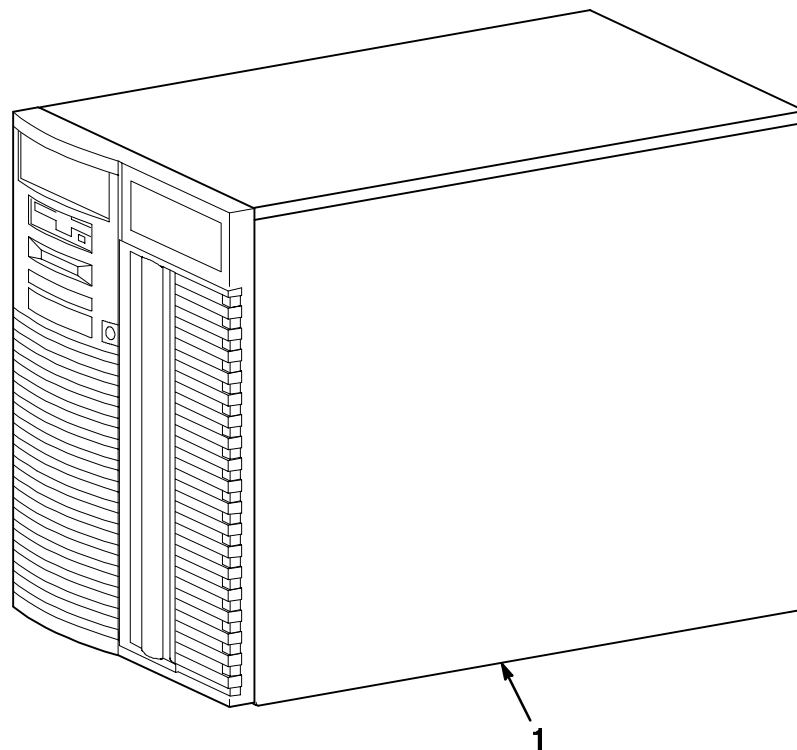
PART NUMBER/PART DESCRIPTION INDEX SECTION

Lists items by part number numerically, and description alphabetically. Items are also referenced to a location within the IPB by figure and item number.

ECO/REVISION HISTORY					OTHER IPB MANUALS REFERENCED
FIGURE NO.	ASSEMBLY	INITIAL LEVEL	CURRENT LEVEL	PRINTING DATE	
1	DH55NJA	00001	00001	DEC 1998	N/A
2	55NJA	00000	00000		
3	55ZJA	00001	00001		
4	30-50096	00000	00000		



FIG. & ITEM NO.	DESCRIPTION	DIGITAL PART NO. ^B	ECO CUT-IN DH55NJA 00001	USED ON CODE	REF FIG NO.
1-	AlphaServer DS20 6/500 DISTRIBUTOR	DH55NJA-AA			
1	*AlphaServer DS20 6/500 KERNEL ASSEMBLY	55NJA-AA			2
2	*Mouse, 3-Button (Not Shown)	30-46117-03			
3	*Power Cord, 125V 75 Inch (Not Shown)	17-00083-39			
4	*Kit, Compaq AlphaServer 1400 Documentation Software (Not Shown)	75-00284-01			
5	*AlphaServer NTA SRL/RX23 Packaging (Not Shown)	QB-4FAAC-SA			

  INDICATES FRU LEVEL PARTS.

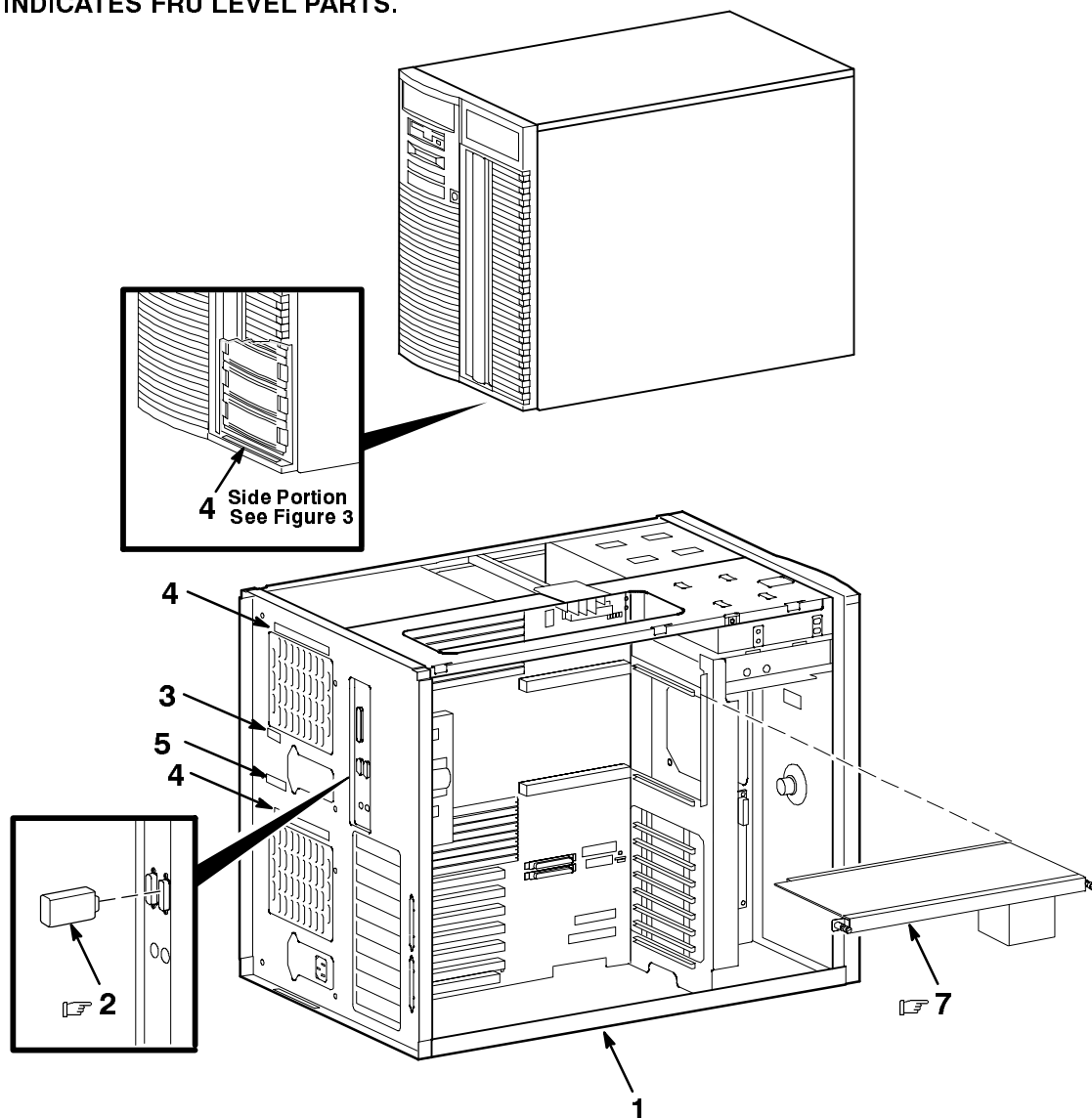


IP-DH55NJA-01

Figure 1. AlphaServer DS20 6/500 Distributor

FIG. & ITEM NO.	DESCRIPTION	DIGITAL PART NO. ^A	ECO CUT-IN DS55NJA 00000	USED ON CODE	REF FIG NO.
2-	AlphaServer DS20 6/500 KERNEL ASSEMBLY	55NJA-AA			1
1	*AlphaServer DS20 KERNEL	55ZJA-AA			3
 2	*Adaptor, 9 Pin PC-Ser PRTR	H8571-J			
3	*Label, "CE Mark"	36-36842-10			
4	*Label, "Composite Set" Blank	36-43278-01			
5	*Label, "SMA C-Tick Mark"	36-48270-01			
6	*Package Assembly (Not Shown)	37-01507-02			
 7	*Module, Alpha DP264 Daughter Card	54-24758-03			

  INDICATES FRU LEVEL PARTS.



IP-55NJA-01

Figure 2. AlphaServer DS20 6/500 Kernel Assembly

INDICATES FRU LEVEL PARTS.

PARTS LIST

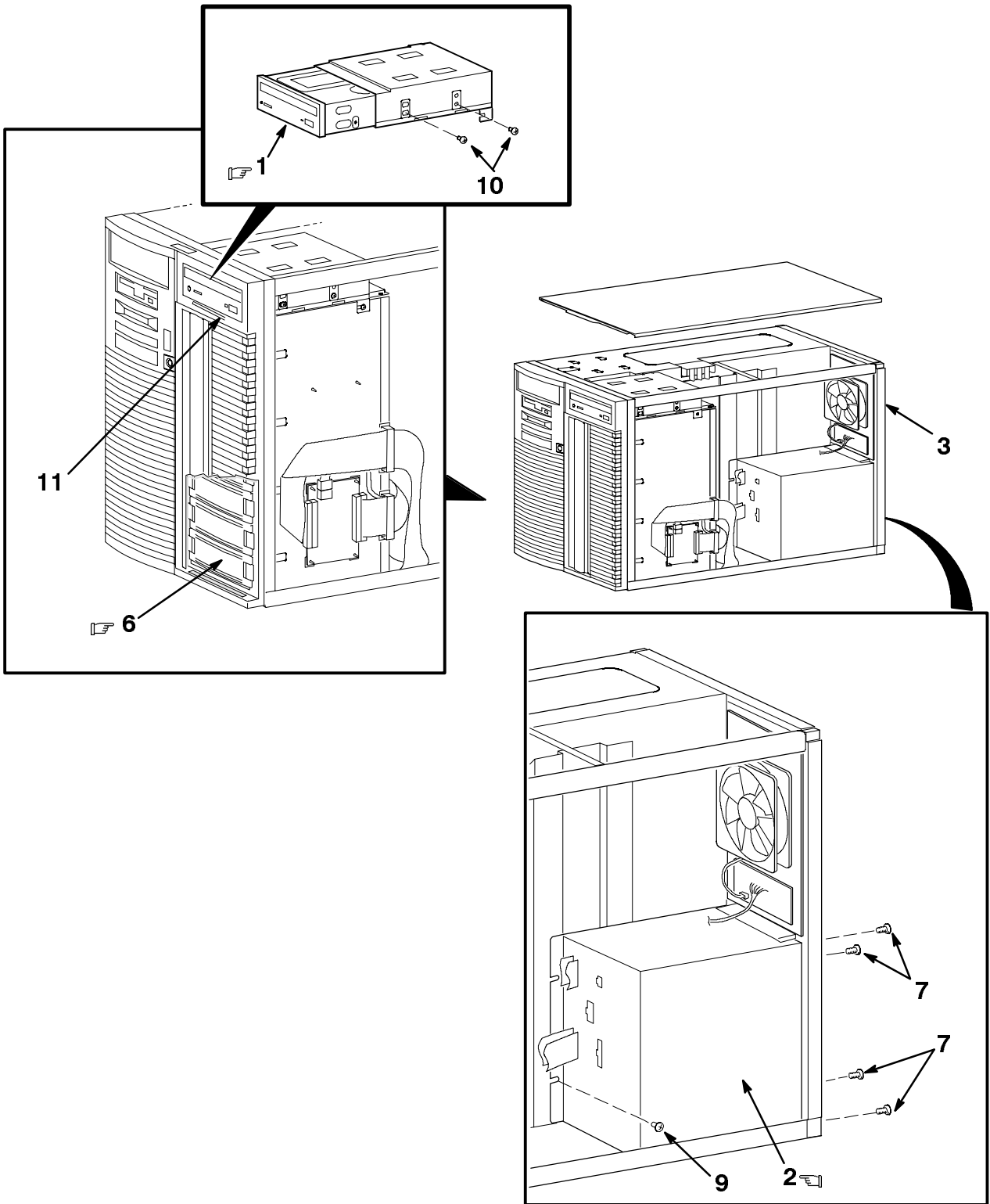
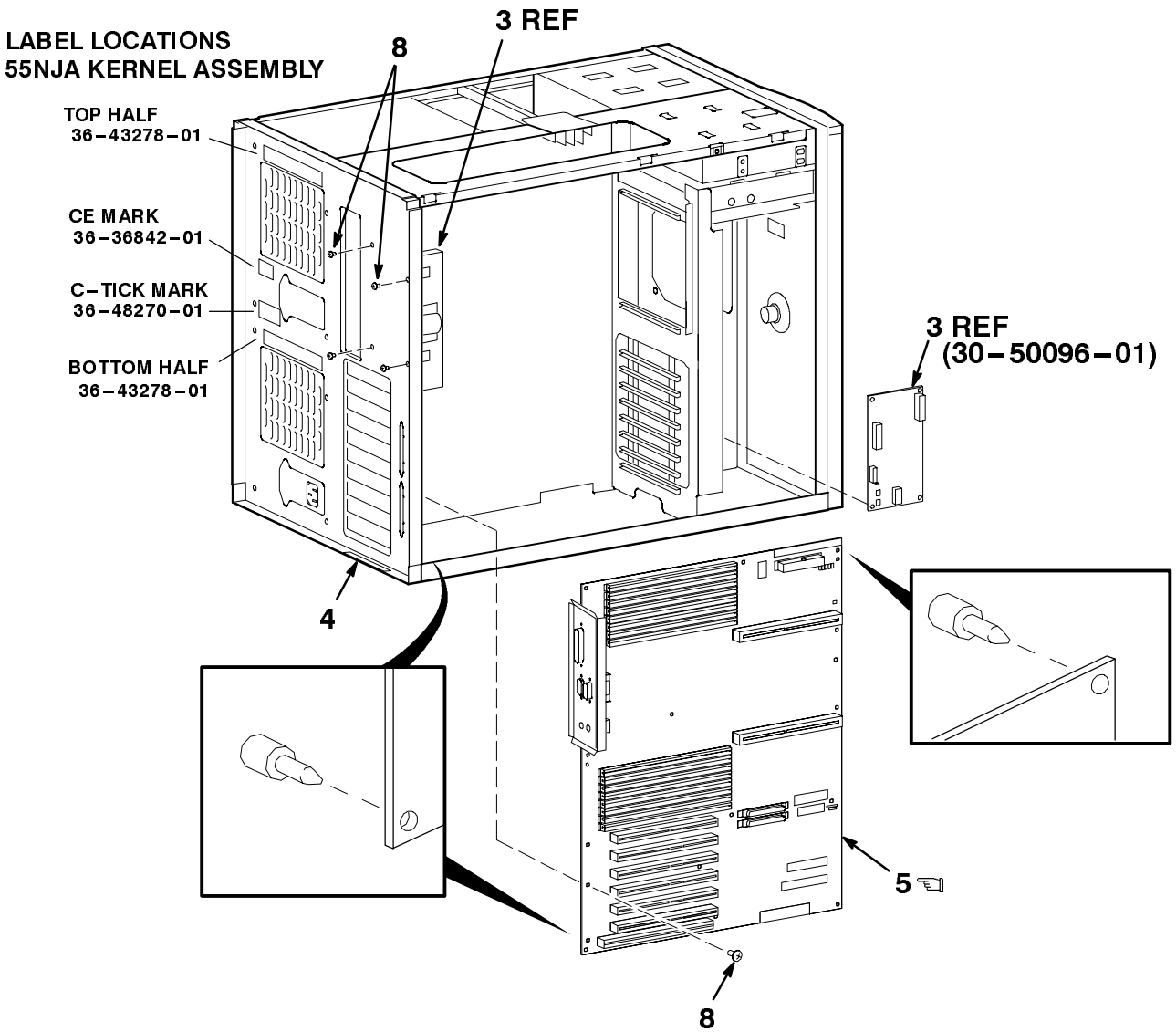


Figure 3. AlphaServer DS20 w/o CPU/Memory or I/O (Sheet 1 of 4)

IP-55ZJA-01

☞ ☞ INDICATES FRU LEVEL PARTS.

PARTS LIST

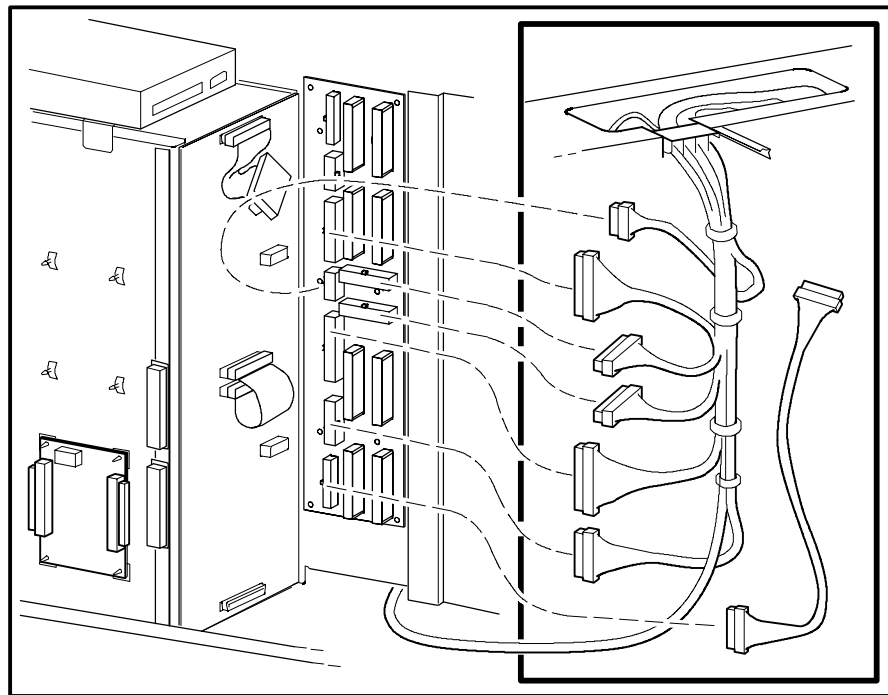
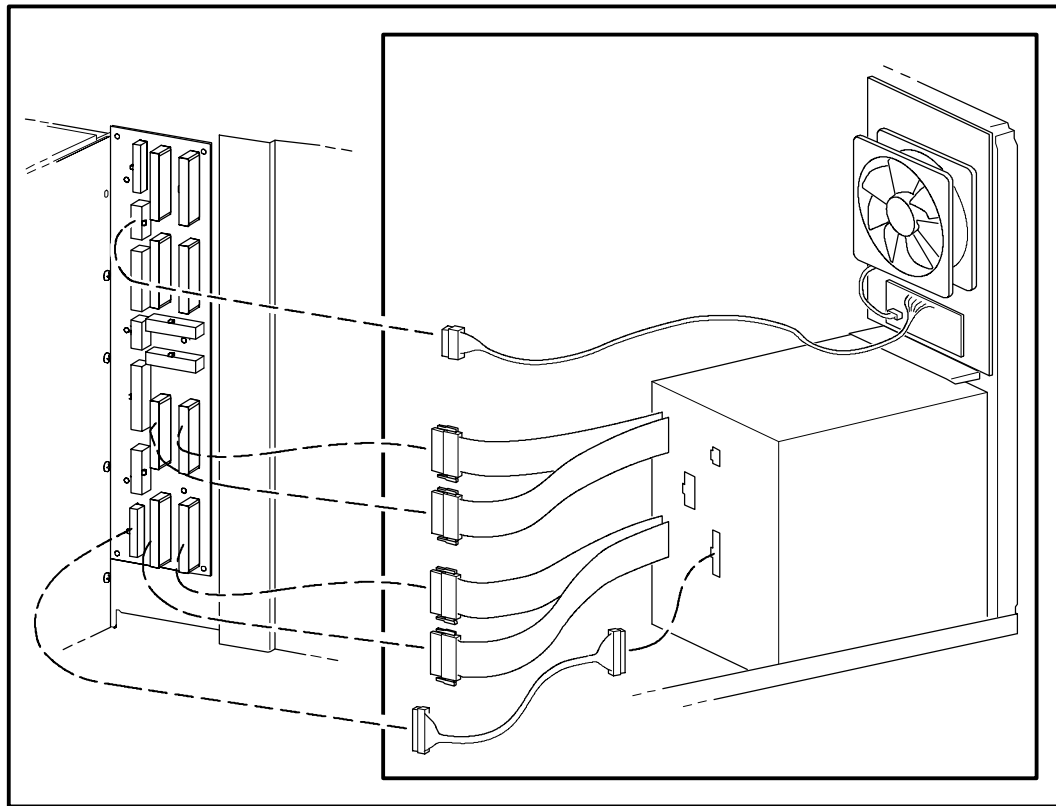


IP-55ZJA-02

Figure 3. AlphaServer DS20 w/o CPU/Memory or I/O (Sheet 2 of 4)

☞ INDICATES FRU LEVEL PARTS.

PARTS LIST



IP-55ZJA-03

Figure 3. AlphaServer DS20 w/o CPU/Memory or I/O (Sheet 3 of 4)

☞ ☞ INDICATES FRU LEVEL PARTS.

PARTS LIST

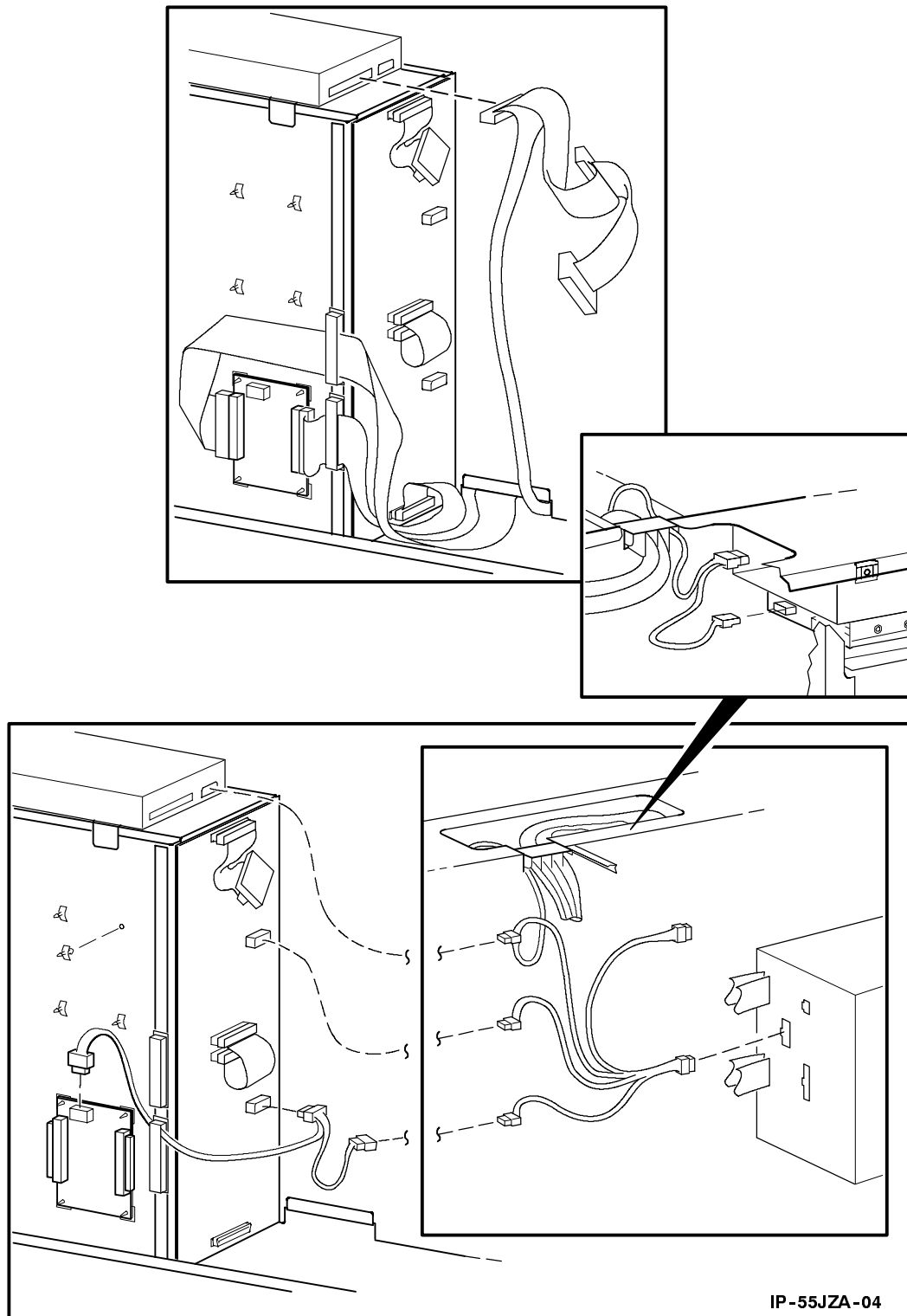
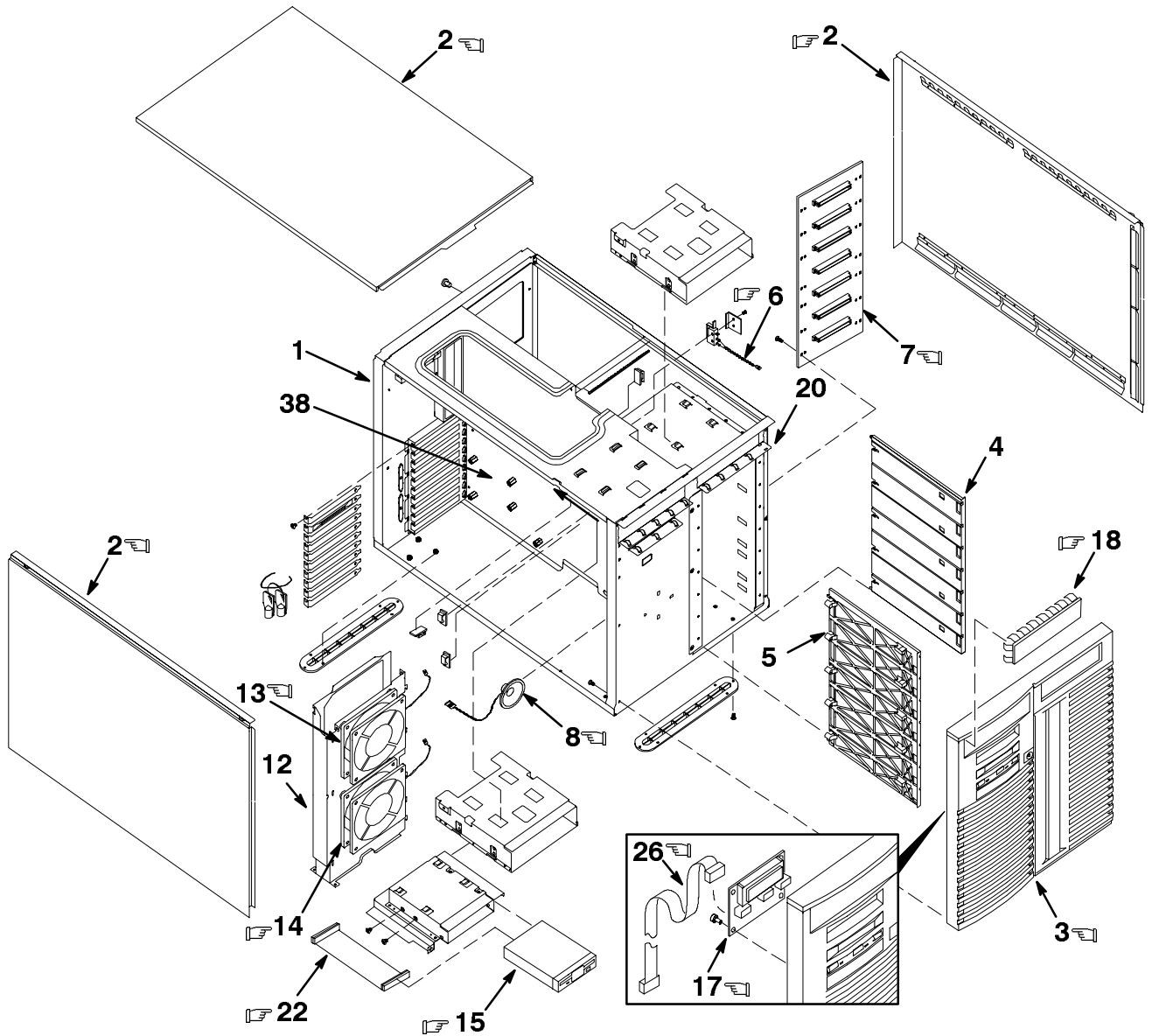


Figure 3. AlphaServer DS20 w/o CPU/Memory or I/O (Sheet 4 of 4)

FIG. & ITEM NO.	DESCRIPTION	DIGITAL PART NO. ^B	ECO CUT-IN 55ZJA 00001	USED ON CODE	REF FIG NO.
3-	AlphaServer DS20 w/o CPU/Memory or I/O	55ZJA-AA			2
☞ 1	*CD-ROM (32X) SCSI TG Blue	RRD47-AC			
☞ 2	*Power Supply, 675W Active	30-48043-01			
3	*ENCLOSURE, SYSTEM BOX	30-50096-01			4
4	*Label, "AlphaServer DS20"	36-37522-13			
☞ 5	*Module, AlphaDP264 Planar, 21271 Chip Set	54-24756-02			
☞ 6	*Bezel, TG Blue Blank	74-45644-03			
7	*Screw, Sems Pan Hd M4 x 8 mm	90-09984-19			
8	*Screw, Pan Hd M3 x 6 mm	90-09984-20			
9	*Screw, Sems Pan Hd M3.5 x 8 mm	90-09984-29			
10	*Screw, Mach Pan Hd M3 x 4 mm	90-10961-01			
11	*Label, "AlphaPowered"	36-49200-03			

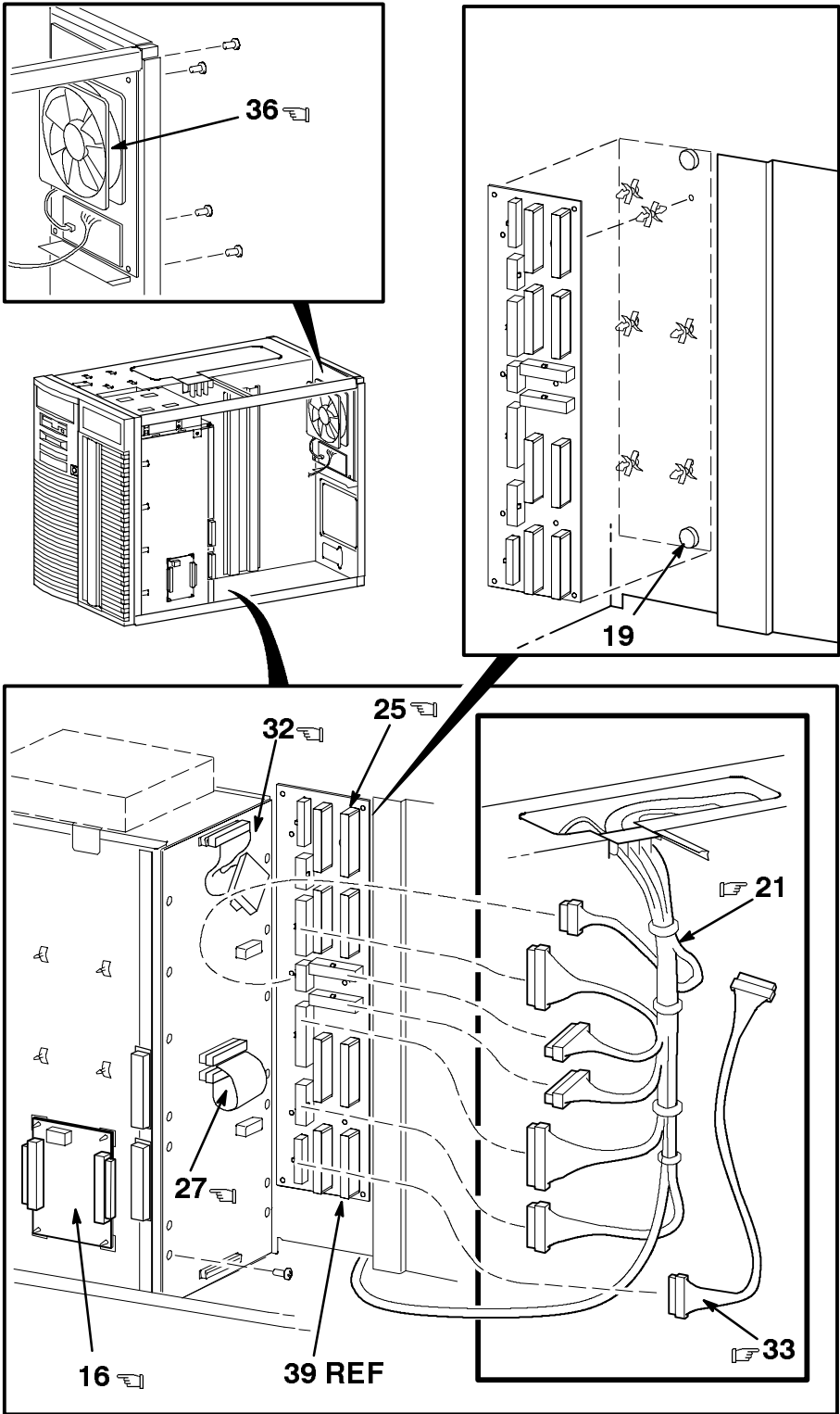
INDICATES FRU LEVEL PARTS.

PARTS LIST



IP-3050096-01

Figure 4. System Box Enclosure Assembly (Sheet 1 of 7)

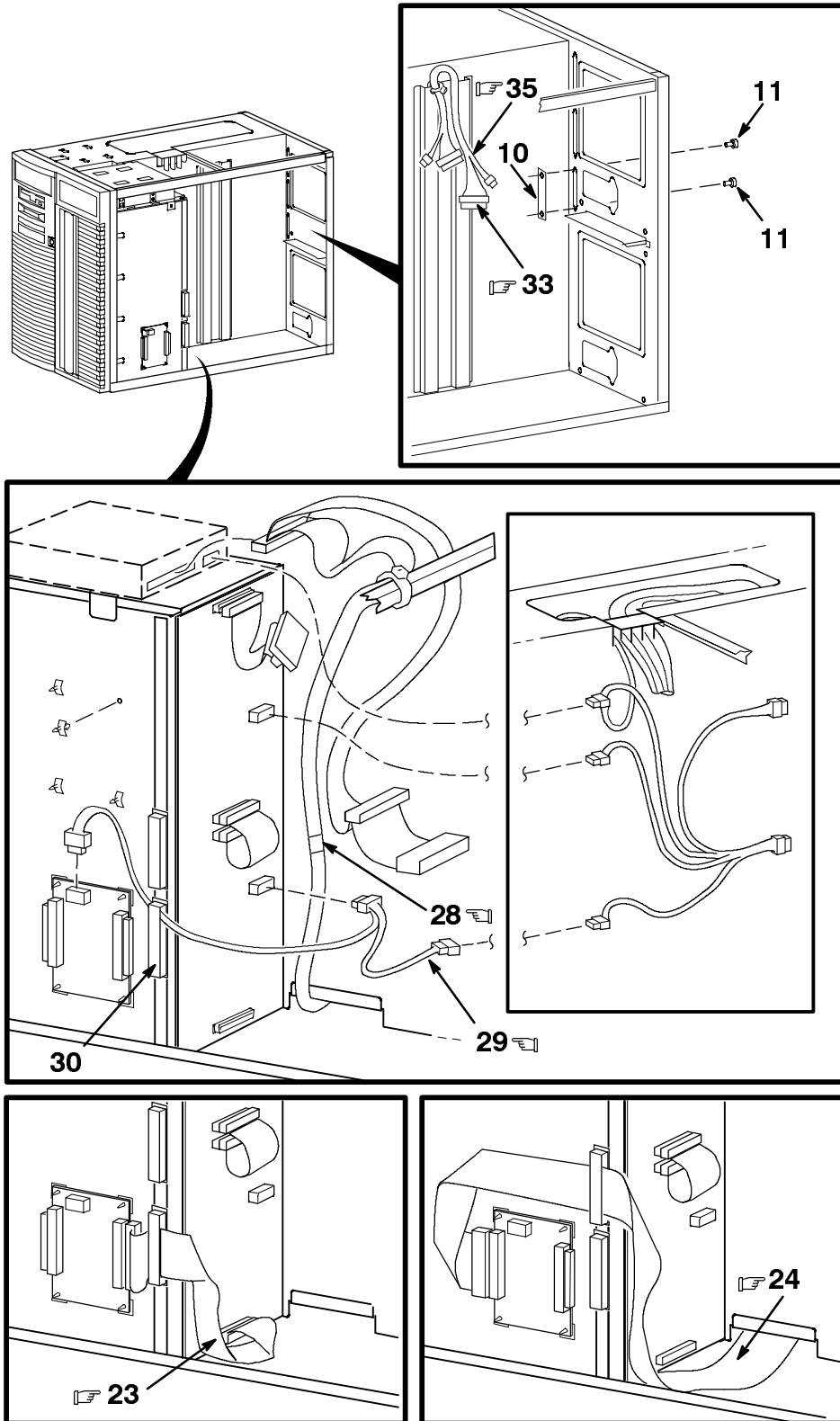


IP3050096-02

Figure 4. System Box Enclosure Assembly (Sheet 2 of 7)

INDICATES FRU LEVEL PARTS.

PARTS LIST

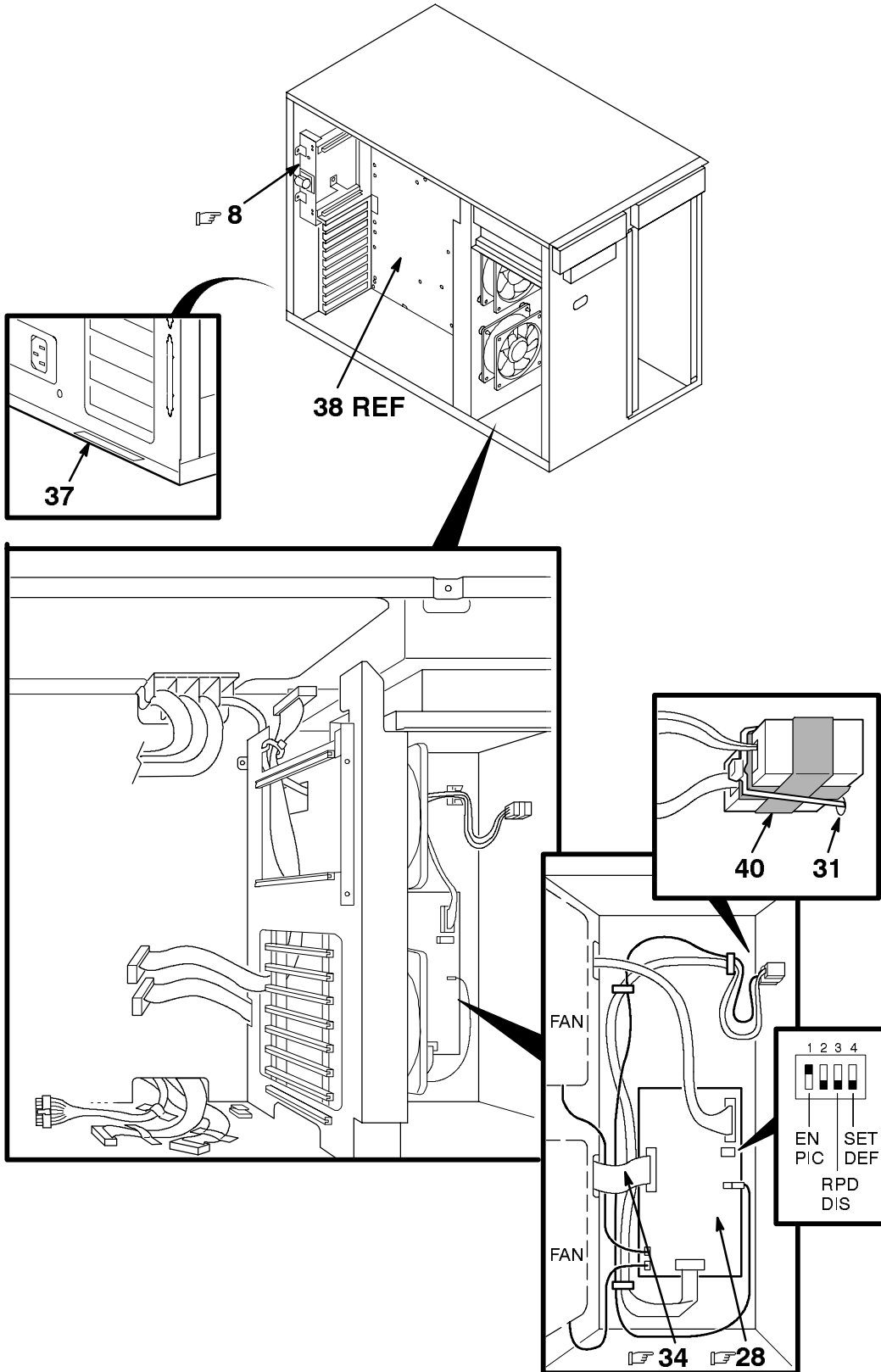


IP-3050096-03

Figure 4. System Box Enclosure Assembly (Sheet 3 of 7)

INDICATES FRU LEVEL PARTS.

PARTS LIST

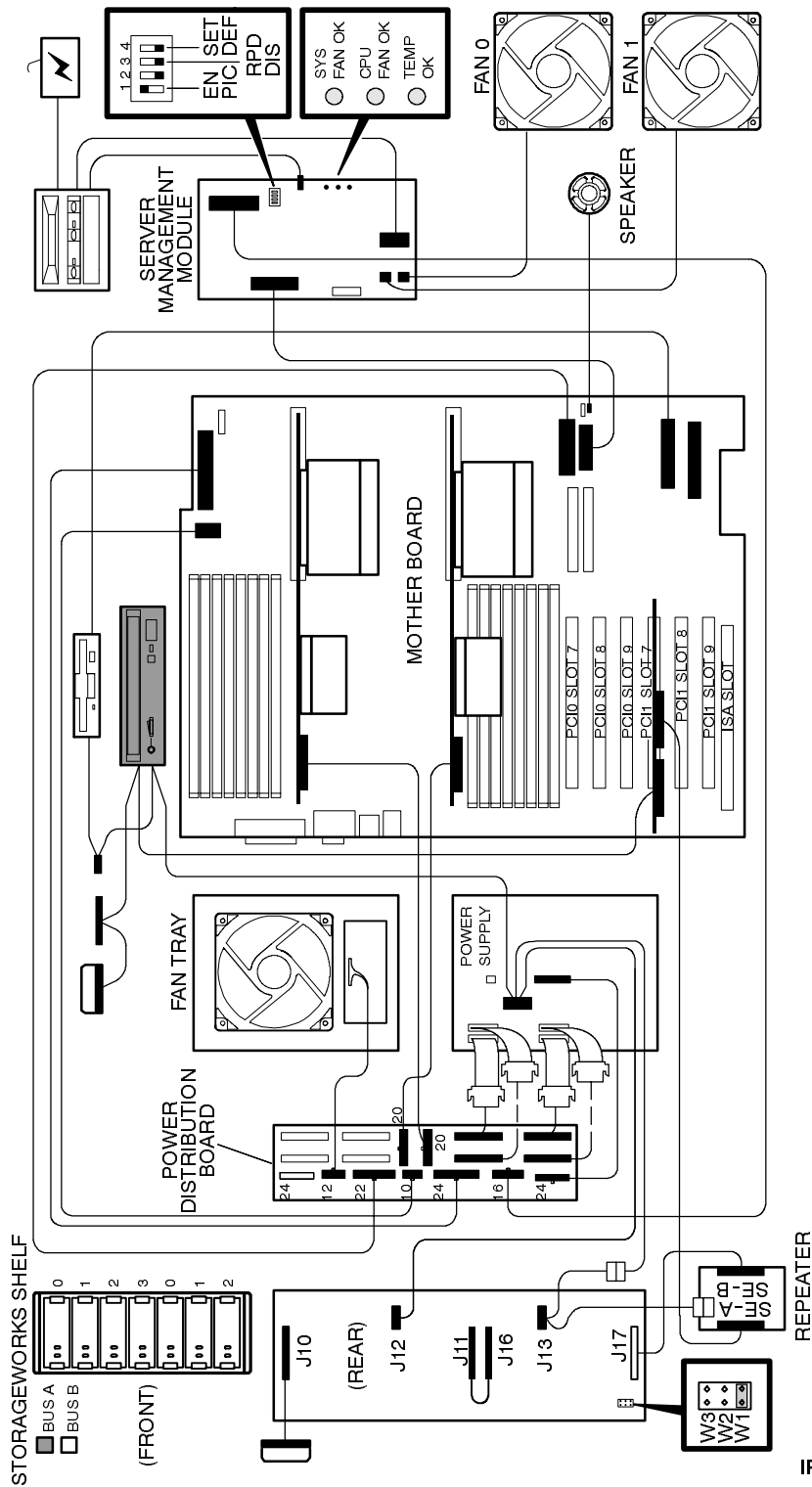


IP-3050096-04

Figure 4. System Box Enclosure Assembly (Sheet 4 of 7)

☞ ☞ INDICATES FRU LEVEL PARTS.

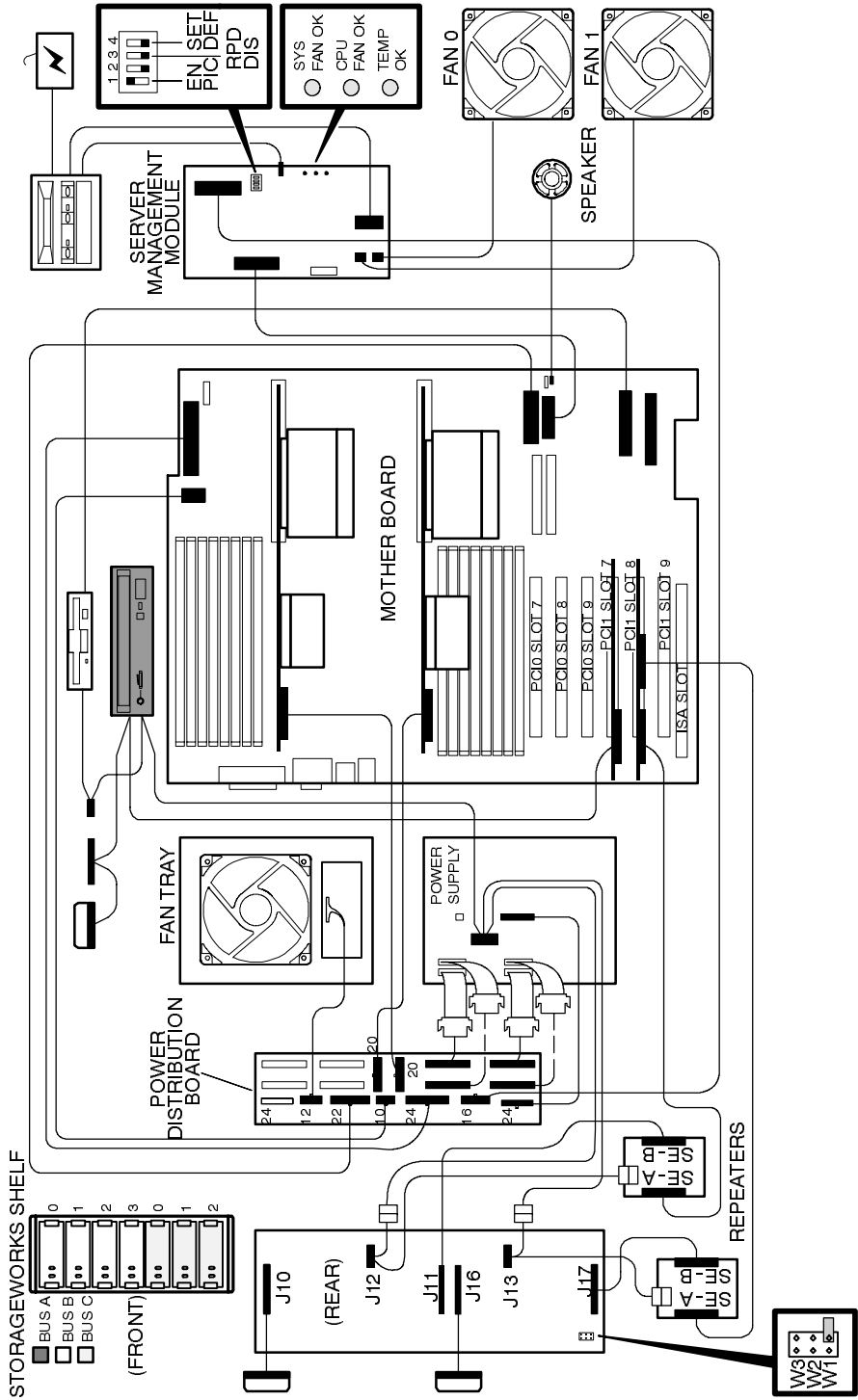
PARTS LIST



Dual Port Controller UltraSCSI Configuraton

IP-55ZJA-04

Figure 4. System Box Enclosure Assembly (Sheet 5 of 7)



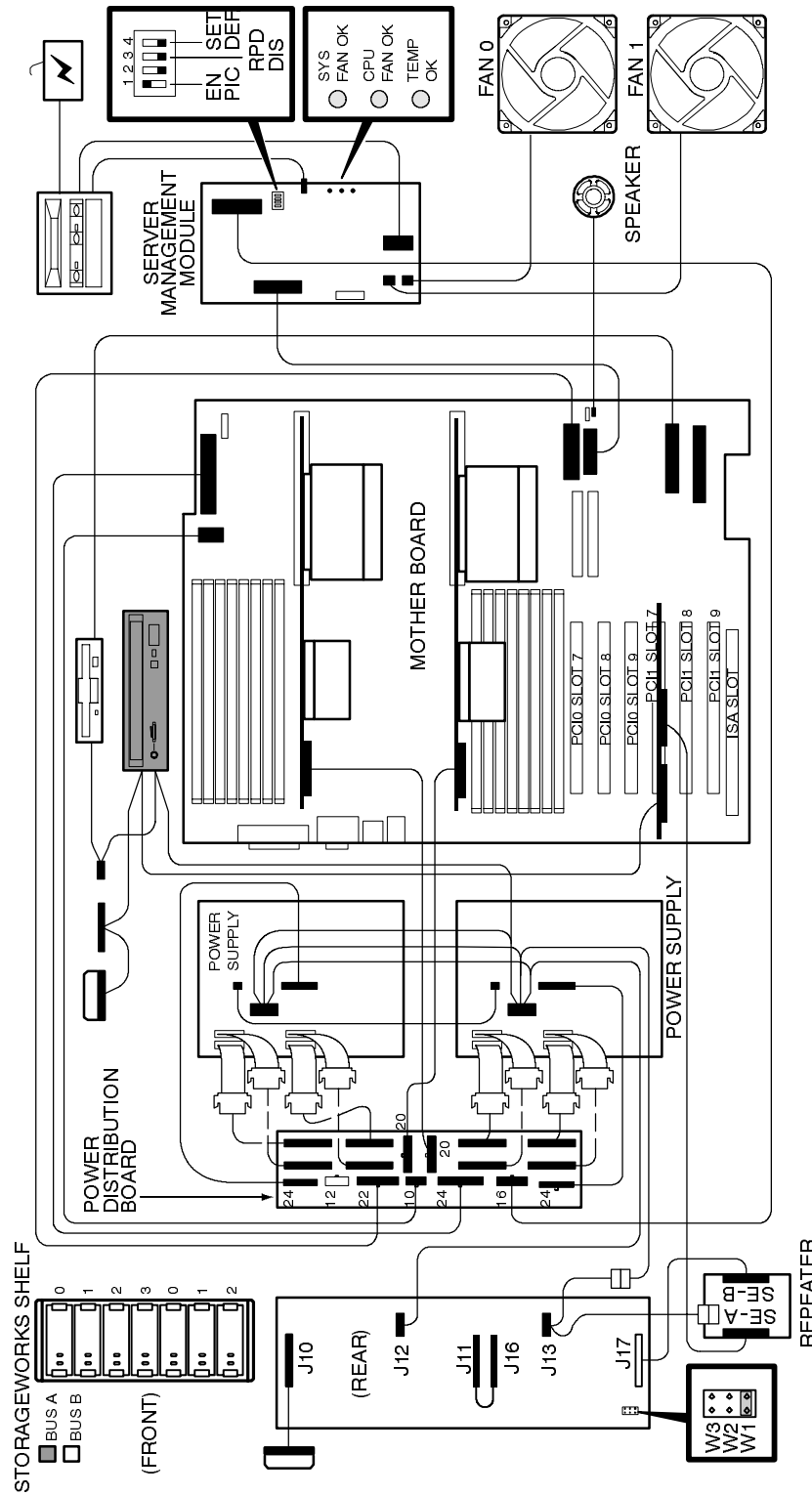
Optional Triple Controller Split Backplane UltraSCSI Configuration

IP-55ZJA-05

Figure 4. System Box Enclosure Assembly (Sheet 6 of 7)

☞ ☞ INDICATES FRU LEVEL PARTS.

PARTS LIST



Optional Dual Power Supply N+1 Configuration

IP-55ZJA-06

Figure 4. System Box Enclosure Assembly (Sheet 7 of 7)

FIG. & ITEM NO.	DESCRIPTION	DIGITAL PART NO. ^A	ECO CUT-IN 3050096 00000	USED ON CODE	REF FIG NO.
4-	ENCLOSURE, SYSTEM BOX	30-50096-01			3
1	*Frame Assembly, Main	70-33336-02			
☞ 2	*Cover Assembly, (Top/Both Sides)	70-31347-02			
☞ 3	*Panel Assembly (Front)	70-31345-03			
4	*Frame, Storage (Right)	74-48642-03			
5	*Frame, Storage (Left)	74-48642-04			
☞ 6	*Microswitch Assembly	70-31348-01			
☞ 7	*Backplane, StorageWorks	54-23365-02			
☞ 8	*Speaker Assembly	70-31349-01			
9	*Bracket, Rear Assembly	70-33807-01			
10	*Cover, 50-Pin	74-48804-02			
11	*Screw, Pan Hd, M3 x 6 mm	90-09984-20			
12	*Bracket Assembly, Fan Shield	70-33886-01			
☞ 13	*Fan Assembly (120 mm)	70-31351-01			
☞ 14	*Fan Assembly (120 mm)	70-31351-02			
☞ 15	*Floppy Drive, 3.5 Inch (1.44 MB)	RX23L-AC			
☞ 16	*Module, SCSI Bus Extender	30-48985-01			
☞ 17	*Module, OCP	54-23302-02			
☞ 18	*Cover, Panel, 5 1/4 Inch	74-49537-02			
19	*Bumper, Round Rubber (Adhesive Backed)	90-11461-01			
20	*Clip, EMI Ground	74-46487-01			
☞ 21	*CABLE ASSEMBLY, DC POWER SUPPLY	70-33578-01			
21A	**Harness, Power Transition Module to Server Management Module	17-04789-01			
21B	**Harness, Power Transition Module to Top Connector on Mother Board	17-04788-01			
21C	**Harness, Power Transition Module to Top of Mother Board	17-04792-01			
21D	**Harness, Power Transition Module to Bottom of CPU Module	17-04790-01			
21E	**Harness, Power Transition Module to Top of CPU Module	17-04790-02			
21F	**Harness, Power Transition Module to Bottom of Mother Board	17-04791-01			
21G	**Harness, Power Supply to Storage Backplane and CD (12-Pin)	17-03969-01			
21H	**Tie, Cable (Not Shown)	90-09617-00			
21I	**Tape, Vinyl (Not Shown)	90-08335-01			
21J	**Label, Cable Assembly (Not Shown)	36-24502-09			
☞ 22	*Cable, Floppy Drive (34-Pin)	17-03970-01			
☞ 23	*Cable, SCSI, 68 Cond. (StorageWorks to SCSI Bus Extender Module)	17-04022-03			
☞ 24	*Cable, SCSI, 68 Cond. (SCSI Bus Extender Module to SCSI Bus Controller Card)	17-04890-01			

FIG. & ITEM NO.	DESCRIPTION	DIGITAL PART NO. ^A	ECO CUT-IN 3050096 00000	USED ON CODE	REF FIG NO.
4-	ENCLOSURE, SYSTEM BOX (continued)				
☞ 25	*Module, Power Distribution	54-25588-01			
☞ 26	*Cable, OCP Module (10-Pin)	17-03971-06			
☞ 27	*Cable, Internal StorageWorks Jumper (68-Pin)	17-04021-01			
28	*Module, Server Management	54-25580-01			
☞ 29	*Harness, 4 Cond. (SCSI Bus Extender Module to StorageWorks)	17-04700-01			
30	*Clamp, Cable (Adhesive Mount)	12-44237-01			
31	*Tie, Cable	90-10152-00			
☞ 32	*Cable, Flat, w/Terminator	17-04795-01			
☞ 33	*Harness, 24 Cond.	17-04735-01			
☞ 34	*Harness, 20 Cond.	17-04796-01			
☞ 35	*Harness, 4 Cond. (Current Share Cable For Two Power Supplies)	17-04532-01			
☞ 36	*Fan Assembly	70-33195-02			
37	*Label, Battery Disposal	36-43295-01			
38	*Plate, Mother Board Mount	74-53412-01			
☞ 39	*Cable, SCSI 50 Cond. (SCSI Controller Card to CD and Tape)	17-04685-02			
40	*Tape, Vinyl (As Required)	90-08335-01			

PART NUMBER/DESCRIPTION INDEX 

INDEX BY DIGITAL PART NUMBER

PART NUMBER	DIGITAL AlphaServer DS20 DESCRIPTION	FIG.-ITEM NUMBER
12-44237-01	Clamp, Cable (Adhesive Mount)	4-30
17-00083-39	Power Cord, 125V 75 Inch	1-3
17-03969-01	Harness, Power Supply to Storage Backplane and CD (12-Pin)	4-21G
17-03970-01	Cable, Floppy Drive (34-Pin)	4-22
17-03971-06	Cable, OCP Module (10-Pin)	4-26
17-04021-01	Cable, Internal StorageWorks Jumper (68-Pin)	4-27
17-04022-03	Cable, SCSI, 68 Cond. (StorageWorks to SCSI Bus Extender Module)	4-23
17-04532-01	Harness, 4 Cond. (Current Share Cable For Two P/S)	4-35
17-04685-02	Cable, SCSI 50 Cond. (SCSI Controller Card to CD and Tape)	4-39
17-04700-01	Harness, 4 Cond. (SCSI Bus Extender Module to StorageWorks)	4-29
17-04735-01	Harness, 24 Cond.	4-33
17-04788-01	Harness, Power Transition Module to Top Conn. on Mother Board B	4-21B
17-04789-01	Harness, Power Transition Module to Server Management Module	4-21A
17-04790-01	Harness, Power Transition Module to Bottom of CPU Module	4-21D
17-04790-02	Harness, Power Transition Module to Top of CPU Module	4-21E
17-04791-01	Harness, Power Transition Module to Bottom of Mother Board	4-21F
17-04792-01	Harness, Power Transition Module to Top of Mother Board	4-21C
17-04795-01	Cable, Flat, w/Terminator	4-32
17-04796-01	Harness, 20 Cond.	4-34
17-04890-01	Cable, SCSI, 68 Con. (SCSI Bus Extender Module to SCSI Bus Controller Card)	4-24
30-46117-03	Mouse, 3-Button (Not Shown)	1-2
30-48043-01	Power Supply, 675W Active	3-2
30-48985-01	Module, SCSI Bus Extender	4-16
30-50096-01	ENCLOSURE, SYSTEM BOX	3-3, 4-N/A
36-24502-09	Label, "Cable Assembly"	4-21J
36-36842-10	Label, "CE Mark"	2-3
36-37522-13	Label, "AlphaServer DS20"	3-4
36-43278-01	Label, "Composite Set - Blank"	2-4
36-43295-01	Label, "Battery Disposal"	4-37
36-48270-01	Label, "SMA C-Tick Mark"	2-5
36-49200-03	Label, "AlphaPowered"	3-11
37-01507-02	Package Assembly (Not Shown)	2-6
54-23302-02	Module, OCP	4-17
54-23365-02	Backplane, StorageWorks	4-7
54-24756-02	Module, AlphaDP264 Planar, 21271 Chip Set	3-5
54-24758-03	Module, Alpha DP264 Daughter Card	2-7
54-25580-01	Module, Server Management	4-40
54-25588-01	Module, Power Distribution	4-39
55NJA-AA	AlphaServer DS20 6/500 KERNEL ASSEMBLY	1-1, 2-N/A
55ZJA-AA	AlphaServer DS20 KERNEL	2-1
55ZJA-AA	AlphaServer DS20 w/o CPU/Memory or I/O	3-N/A
70-31345-03	Panel Assembly (Front)	4-3
70-31347-02	Cover Assembly, (Top/Both Sides)	4-2

INDEX BY DIGITAL PART NUMBER
DIGITAL AlphaServer DS20

PART NUMBER	DESCRIPTION	FIG.-ITEM NUMBER
70-31348-01	Microswitch Assembly	4-6
70-31349-01	Speaker Assembly	4-8
70-31351-01	Fan Assembly (120 mm)	4-13
70-31351-02	Fan Assembly (120 mm)	4-14
70-33195-02	Fan Assembly	4-36
70-33336-02	Frame Assembly, Main	4-1
70-33578-01	CABLE ASSEMBLY, DC POWER SUPPLY	4-21
70-33807-01	Bracket, Rear Assembly	4-9
70-33886-01	Bracket Assembly, Fan Shield	4-12
74-45644-03	Bezel, TG Blue Blank	3-6
74-46487-01	Clip, EMI Ground	4-20
74-48642-03	Frame, Storage (Right)	4-4
74-48642-04	Frame, Storage (Left)	4-5
74-48804-02	Cover, 50-Pin	4-10
74-49537-02	Cover, Panel, 5 1/4 Inch	4-18
74-53412-01	Plate, Mother Board Mount	4-38
75-00284-01	Kit, COMPAQ AlphaServer 1400 Software and Doc.	1-4
90-08335-01	Tape, Vinyl	4-21I, 4-40
90-09617-00	Tie, Cable	4-21H
90-09984-19	Screw, Sems Pan Hd M4 x 8 mm	3-7
90-09984-20	Screw, Pan Hd, M3 x 6 mm	3-8, 4-11
90-09984-29	Screw, Sems Pan Hd M3.5 x 8 mm	3-9
90-10152-00	Tie, Cable	4-31
90-10961-01	Screw, Mach Pan Hd M3 x 4 mm	3-10
90-11461-01	Bumper, Round Rubber (Adhesive Backed)	4-19
DH55NJA-AA	AlphaServer DS20 6/500 DISTRIBUTOR	1-N/A
H8571-J	Adaptor, 9 Pin PC-Ser PRTR	2-2
QB-4FAAC-SA	AlphaServer NTA SRL/RX23 Packaging (Not Shown)	1-5
RRD47-AC	CD-ROM (32X) SCSI TG Blue	3-1
RX23L-AC	Floppy Drive, 3.5 Inch (1.44 MB)	4-15

INDEX BY DIGITAL PART DESCRIPTION
DIGITAL AlphaServer DS20

DESCRIPTION	PART NUMBER	FIG.-ITEM NUMBER
Adaptor, 9 Pin PC-Ser PRTR	H8571-J	2-2
AlphaServer DS20 6/500 DISTRIBUTOR	DH55NJA-AA	1-N/A
AlphaServer DS20 6/500 KERNEL ASSEMBLY	55NJA-AA	1-1, 2-N/A
AlphaServer DS20 KERNEL	55ZJA-AA	2-1
AlphaServer DS20 w/o CPU/Memory or I/O	55ZJA-AA	3-N/A
AlphaServer NTA SRL/RX23 Packaging (Not Shown)	QB-4FAAC-SA	1-5
Backplane, StorageWorks	54-23365-02	4-7
Bezel, TG Blue Blank	74-45644-03	3-6
Bracket Assembly, Fan Shield	70-33886-01	4-12
Bracket, Rear Assembly	70-33807-01	4-9
Bumper, Round Rubber (Adhesive Backed)	90-11461-01	4-19
CABLE ASSEMBLY, DC POWER SUPPLY	70-33578-01	4-21
Cable, Flat, w/Terminator	17-04795-01	4-32
Cable, Floppy Drive (34-Pin)	17-03970-01	4-22
Cable, Internal StorageWorks Jumper (68-Pin)	17-04021-01	4-27
Cable, OCP Module (10-Pin)	17-03971-06	4-26
Cable, SCSI 50 Cond. SCSI Controller Card to CD and Tape)	17-04685-02	4-39
Cable, SCSI, 68 Con. (SCSI Bus Extender Module to SCSI Bus Cont. Card)	17-04890-01	4-24
Cable, SCSI, 68 Cond. (StorageWorks to SCSI Bus Extender Module)	17-04022-03	4-23
CD-ROM (32X) SCSI TG Blue	RRD47-AC	3-1
Clamp, Cable (Adhesive Mount)	12-44237-01	4-30
Clip, EMI Ground	74-46487-01	4-20
Cover Assembly, (Top/Both Sides)	70-31347-02	4-2
Cover, 50-Pin	74-48804-02	4-10
Cover, Panel, 5 1/4 Inch	74-49537-02	4-18
ENCLOSURE, SYSTEM BOX	30-50096-01	3-3, 4-N/A
Fan Assembly	70-33195-02	4-36
Fan Assembly (120 mm)	70-31351-01	4-13
Fan Assembly (120 mm)	70-31351-02	4-14
Floppy Drive, 3.5 Inch (1.44 MB)	RX23L-AC	4-15
Frame Assembly, Main	70-33336-02	4-1
Frame, Storage (Left)	74-48642-04	4-5
Frame, Storage (Right)	74-48642-03	4-4
Harness, Power Transition Module to Server Mgmt Module	17-04789-01	4-21A
Harness, 20 Cond.	17-04796-01	4-34
Harness, 24 Cond.	17-04735-01	4-33
Harness, 4 Cond. (Current Share Cable For Two P. Supplies)	17-04532-01	4-35
Harness, 4 Cond. (SCSI Bus Ext. Module to StorageWorks)	17-04700-01	4-29
Harness, Power Transition Module to Top Connector on Mother Board	17-04788-01	4-21B
Harness, Power Supply to Storage Backplane and CD (12-Pin)	17-03969-01	4-21G
Harness, Power Transition Module to Bottom of CPU Module	17-04790-01	4-21D
Harness, Power Transition Module to Bottom of Mother Board	17-04791-01	4-21F
Harness, Power Transition Module to Top of CPU Module	17-04790-02	4-21E
Harness, Power Transition Module to Top of Mother Board	17-04792-01	4-21C

INDEX BY DIGITAL PART DESCRIPTION
DIGITAL AlphaServer DS20

DESCRIPTION	PART NUMBER	FIG.-ITEM NUMBER
Kit, Compaq AlphaServer 1400 Software and Documentation	75-00284-01	1-4
Label, "AlphaPowered"	36-49200-03	3-11
Label, "AlphaServer DS20"	36-37522-13	3-4
Label, "Battery Disposal"	36-43295-01	4-37
Label, "Cable Assembly"	36-24502-09	4-21J
Label, "CE Mark"	36-36842-10	2-3
Label, "Composite Set - Blank"	36-43278-01	2-4
Label, "SMA C-Tick Mark"	36-48270-01	2-5
Microswitch Assembly	70-31348-01	4-6
Module, Alpha DP264 Daughter Card	54-24758-03	2-7
Module, AlphaDP264 Planar, 21271 Chip Set	54-24756-02	3-5
Module, OCP	54-23302-02	4-17
Module, Power Distribution	54-25588-01	4-39
Module, SCSI Bus Extender	30-48985-01	4-16
Module, Server Management	54-25580-01	4-40
Mouse, 3-Button (Not Shown)	30-46117-03	1-2
Package Assembly (Not Shown)	37-01507-02	2-6
Panel Assembly (Front)	70-31345-03	4-3
Plate, Mother Board Mount	74-53412-01	4-38
Power Cord, 125V 75 Inch	17-00083-39	1-3
Power Supply, 675W Active	30-48043-01	3-2
Screw, Mach Pan Hd M3 x 4 mm	90-10961-01	3-10
Screw, Pan Hd, M3 x 6 mm	90-09984-20	3-8, 4-11
Screw, Sems Pan Hd M3.5 x 8 mm	90-09984-29	3-9
Screw, Sems Pan Hd M4 x 8 mm	90-09984-19	3-7
Speaker Assembly	70-31349-01	4-8
Tape, Vinyl	90-08335-01	4-21I, 4-40
Tie, Cable	90-10152-00	4-31
Tie, Cable	90-09617-00	4-21H