

DIGITAL Personal Workstation Series

Illustrated Parts Breakdown

Order Number: EK-ALMIA-IP. B01

**Digital Equipment Corporation
Maynard, Massachusetts**

Digital Equipment Corporation reserves the right, without notice, to make substitutions and modifications in the specifications of products documented in this manual and further reserves the right to withdraw any of these products from the market without notice.

Digital Equipment Corporation is not responsible for errors which may appear in the technical description (including illustrations and photographs) of the products covered by this manual.

None of the descriptions contained in this manual imply the granting of any license whatsoever to make, use or sell equipment constructed in accordance therewith.

Restricted Rights: Use, duplication or disclosure by the U.S. Government is subject to restrictions as set forth in subparagraph (c) (1) (ii) of the Rights in Technical Data and Computer Software clause at DFARS 252.227-2713.

Copyright ©1997, 1998 by Digital Equipment Corporation. All rights reserved.
Printed in U.S.A.

The following are trademarks of Digital Equipment Corporation :
AlphaServer, DIGITAL, Open VMS, ThinWire, and the DIGITAL logo.

The following are third party trademarks:

IBM is a registered trademark of International Business Machines, Inc.

Microsoft and Windows NT are registered trademarks of Microsoft Corporation.

UNIX is a registered trademark in the United States and other countries, licensed exclusively through X/Open Company Ltd.

Reader's Comments

DIGITAL welcomes your comments on this manual.
You can send your comments to DIGITAL at the address below:

Digital Equipment Corporation
Servers Engineering and Technical Services
129 Parker Street
PKO3-1/20C
Maynard, MA 01754-2199

Please reference EK-ALMIA-IP. B01 in your correspondence.

ILLUSTRATED PARTS BREAKDOWN

DIGITAL Personal Workstation Series

ILLUSTRATED PARTS BREAKDOWN (IPB)

The IPB is used to identify a part and its location in a hardware product. The document references specific item numbers in the associated parts list.

HOW TO USE THE IPB

1. Locate the figure containing the item of interest.
2. Locate the number (callout) of the item of interest.
3. Locate that item number in the associated parts list.

FORMAT

Each IPB is generally organized based on its first figure. All other assemblies and subassemblies are referenced from this figure. Each figure contains numeric callouts of all major parts (items).

PARTS LIST

Each parts list contains the following:

Figure and Item No. - Lists the figure number and its referenced numeric callout

Description - Presents the name and a brief description of the item. A single asterisk (*) preceding the description denotes item is a

subassembly to its referenced figure. A double asterisk (**) preceding the description indicates that this item is subordinate to the preceding single asterisk item.

DIGITAL Part No. - Lists the DIGITAL/Vendor part number. The letter in the column heading indicates the current revision level of the Engineering Drawing for the referenced figure.

ECO Cut-In - Lists the top assembly drawing number and revision level at first printing. All additional revisions to an item are listed in this column.

Used On Code - Lists letters referring to the product variation assigned in Figure 1. When this column is blank, the item is used in all variations.

Ref Fig No. - Lists a cross reference between figures within the IPB.

PART NUMBER/PART DESCRIPTION INDEX SECTION

Lists items by part number numerically, and description alphabetically. Items are also referenced to a location within the IPB by figure and item number.

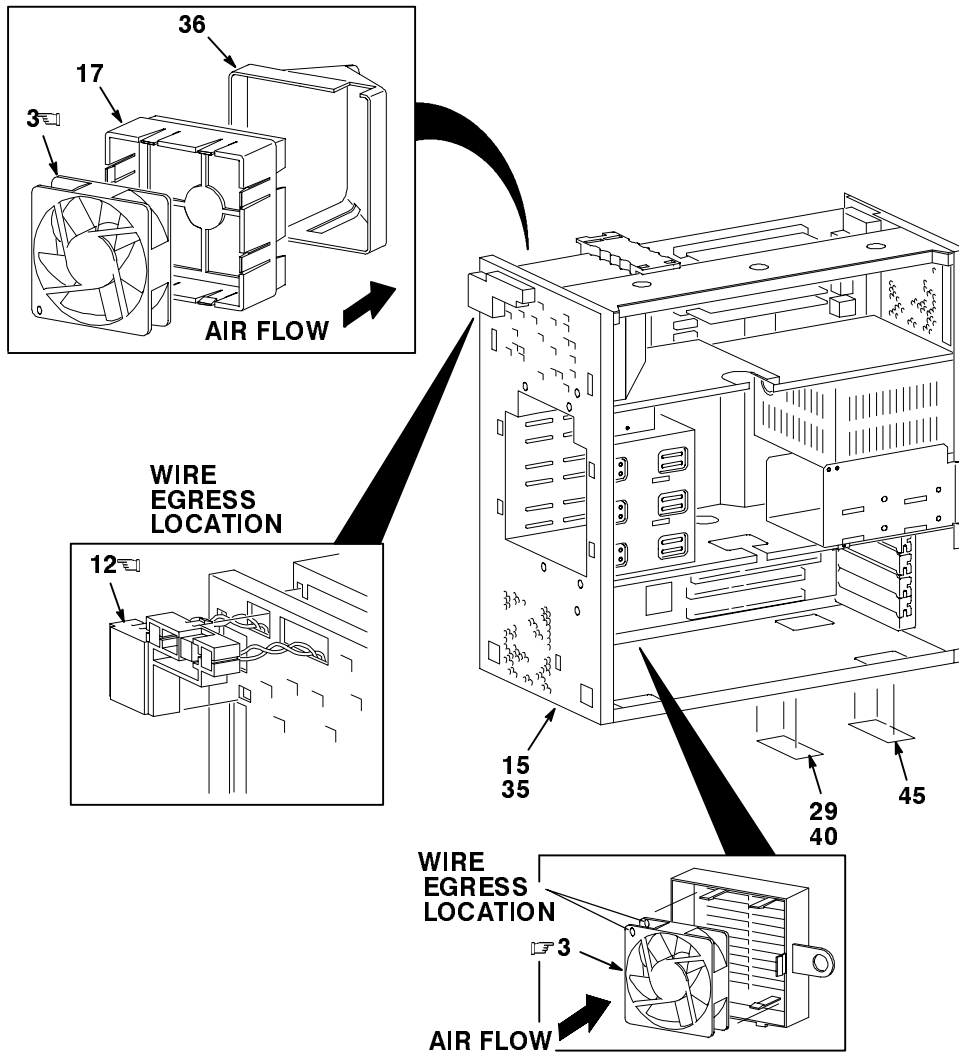
ECO/REVISION HISTORY

OTHER IPB MANUALS REFERENCED

FIGURE NO.	ASSEMBLY	INITIAL LEVEL	CURRENT LEVEL	PRINTING DATE	OTHER IPB MANUALS REFERENCED
1	SN - B3AAA	00001	00008	May 1998	N/A
2	SN - B3AAP	00001	00005		
3	SN - B3AWW	00001	00004		

INDICATES FRU LEVEL PARTS.

PARTS LIST

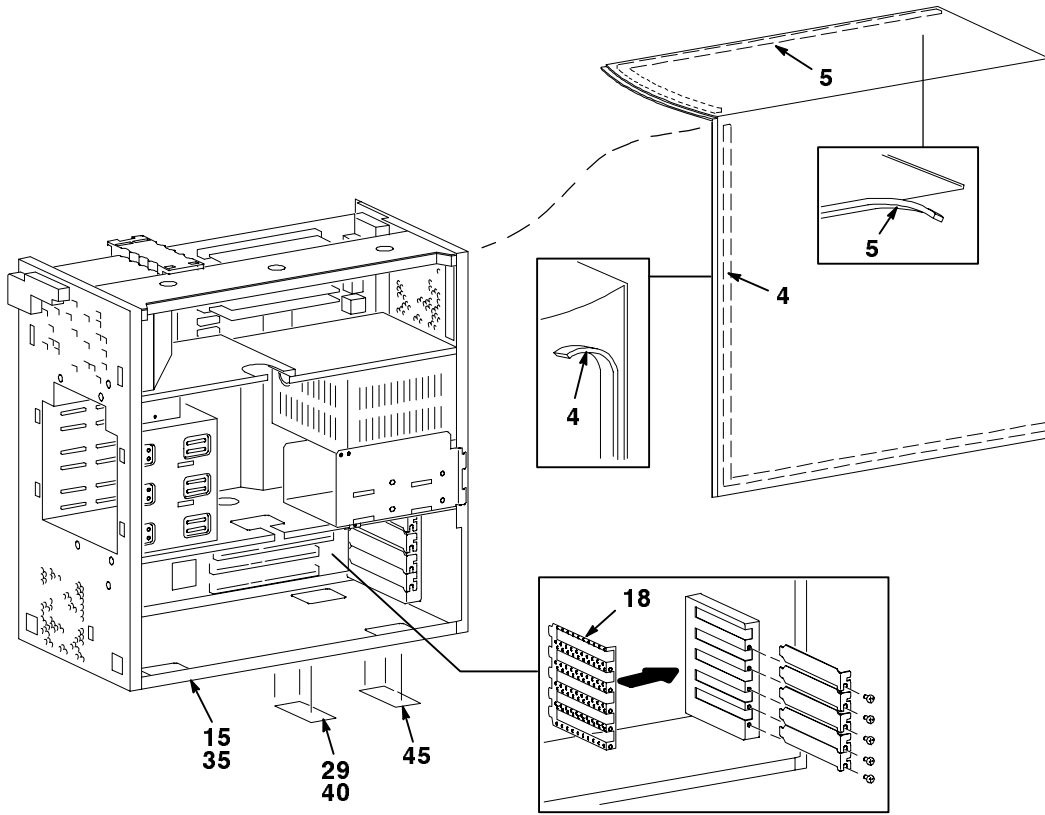


IP-SNB3AA-01

Figure 1. Kernel Assembly (Sheet 1 of 8)

INDICATES FRU LEVEL PARTS.

PARTS LIST

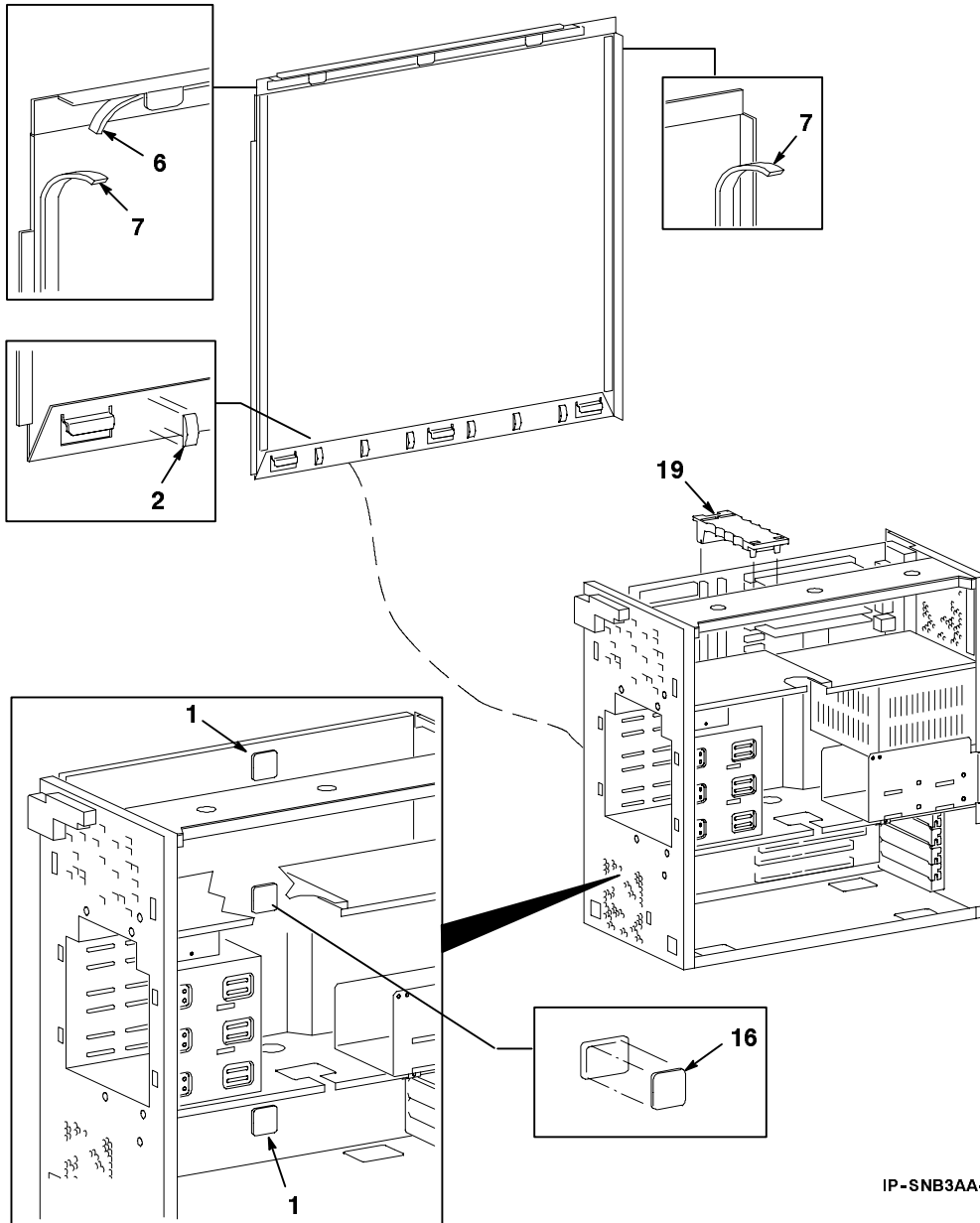


IP-SNB3AA-02

Figure 1. Kernel Assembly (Sheet 2 of 8)

INDICATES FRU LEVEL PARTS.

PARTS LIST

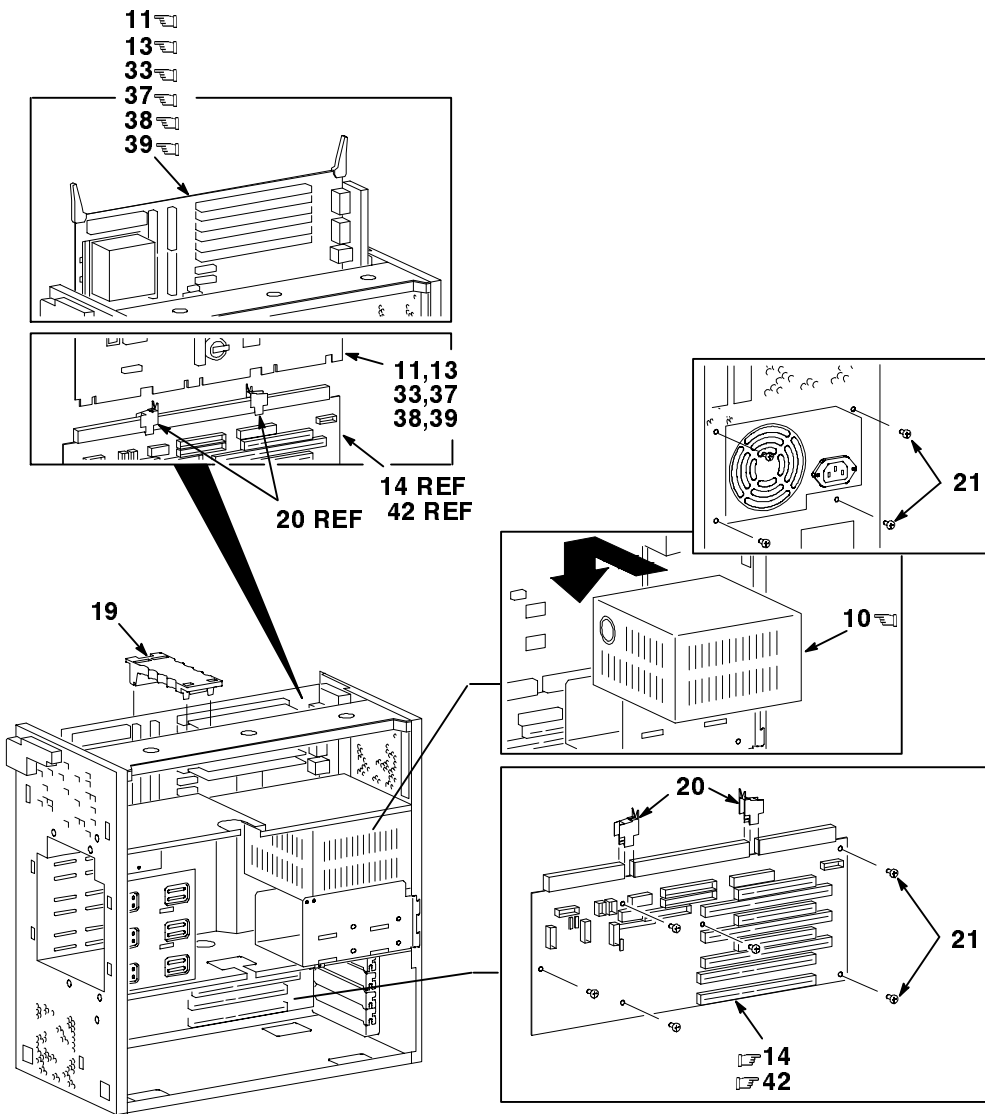


IP-SNB3AA-03

Figure 1. Kernel Assembly (Sheet 3 of 8)

INDICATES FRU LEVEL PARTS.

PARTS LIST



IP-SNB3AA-04

Figure 1. Kernel Assembly (Sheet 4 of 8)

INDICATES FRU LEVEL PARTS.

PARTS LIST

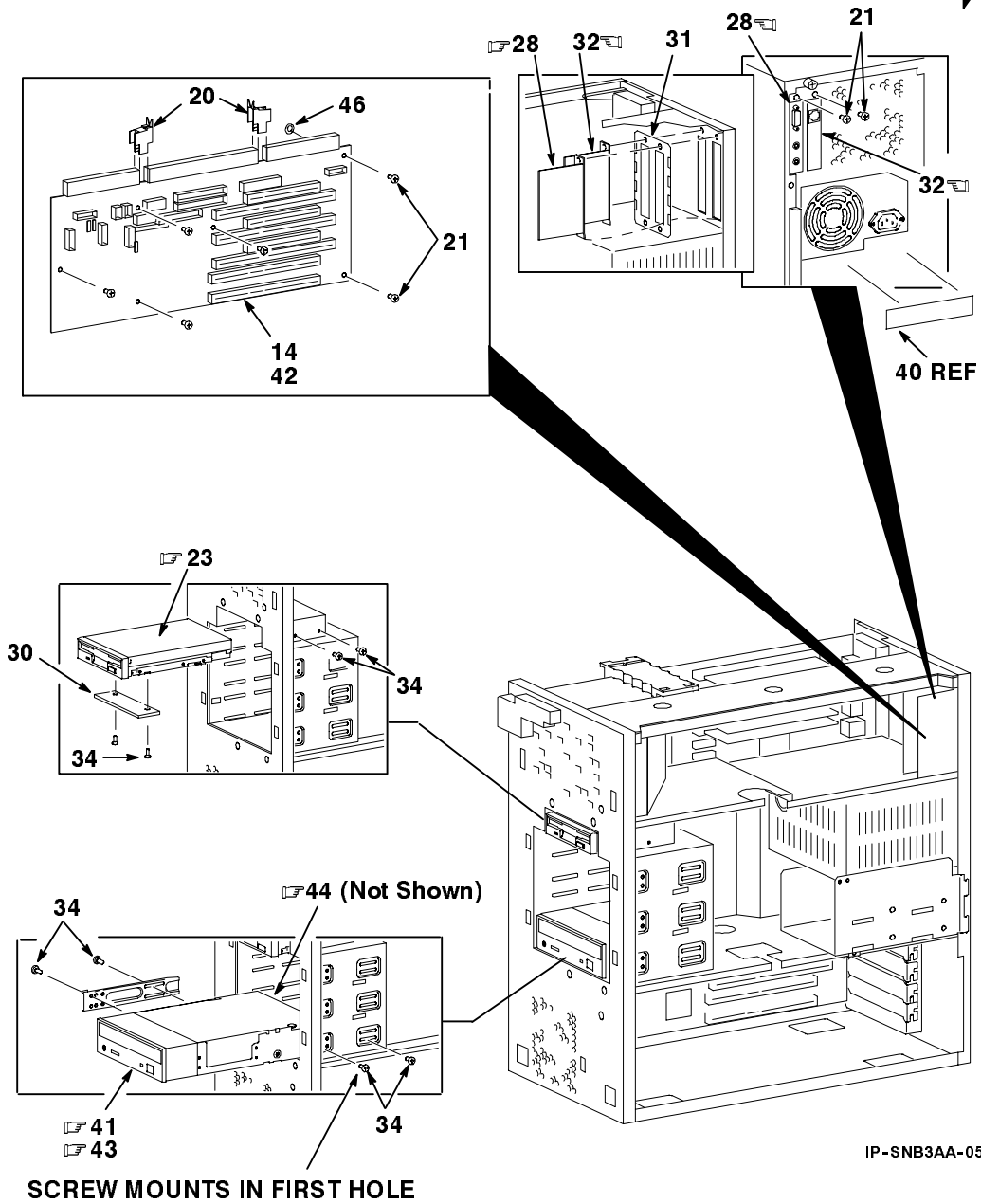
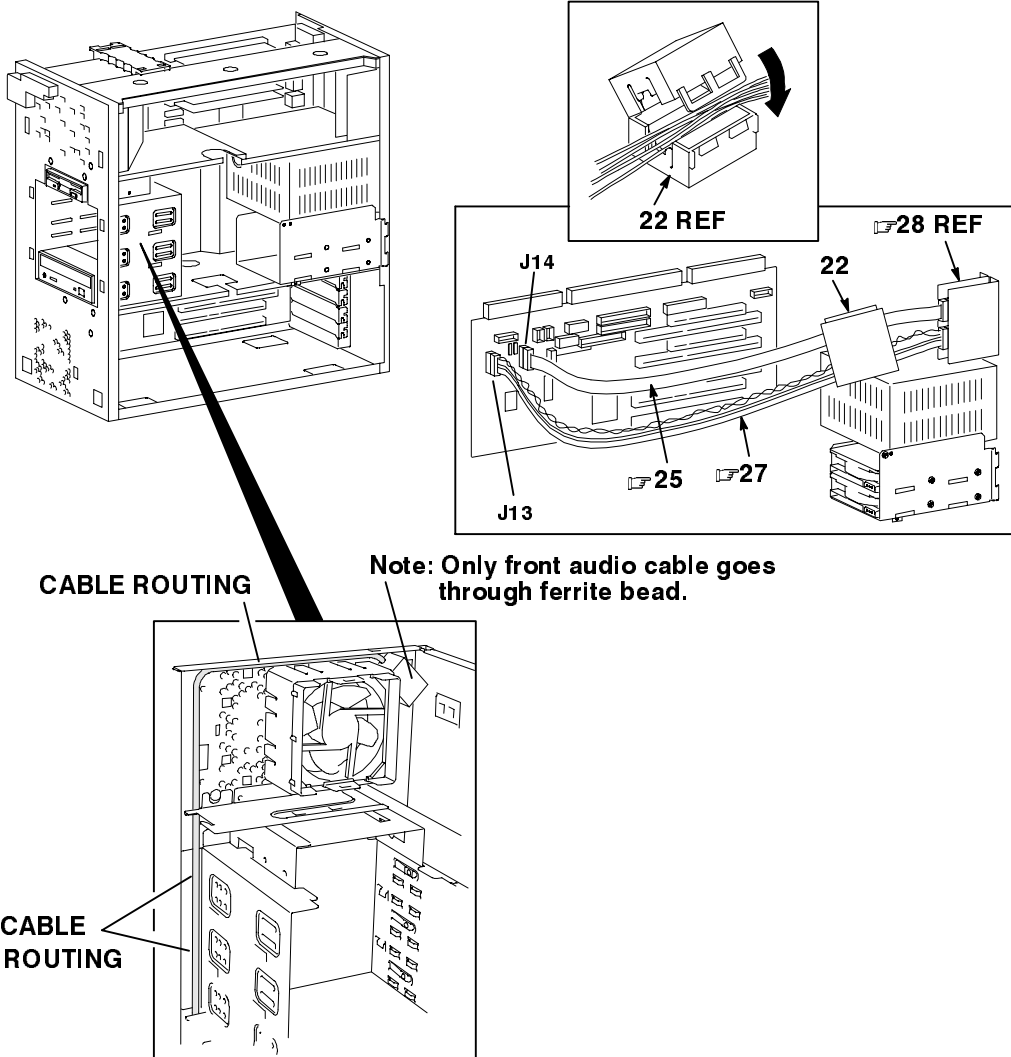


Figure 1. Kernel Assembly (Sheet 5 of 8)

INDICATES FRU LEVEL PARTS.

PARTS LIST

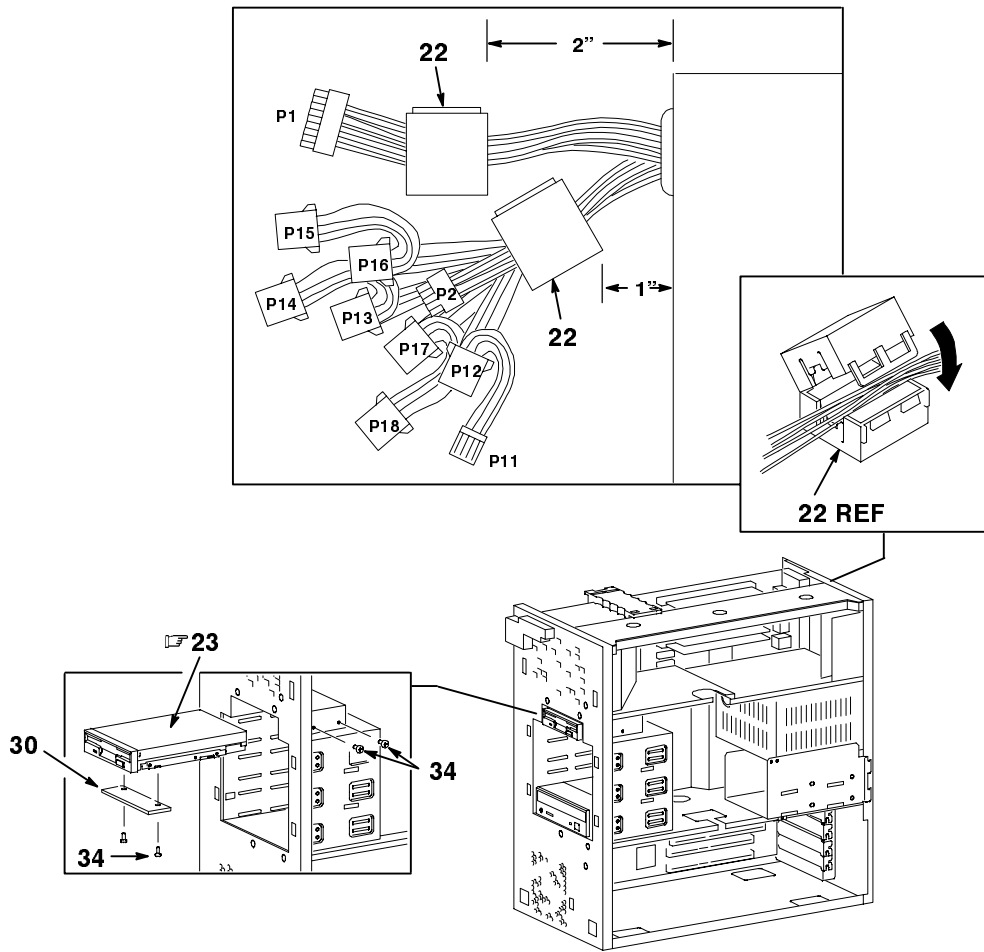


IP-SNB3AA-06

Figure 1. Kernel Assembly (Sheet 6 of 8)

INDICATES FRU LEVEL PARTS.

PARTS LIST



IP-SNB3AA-07

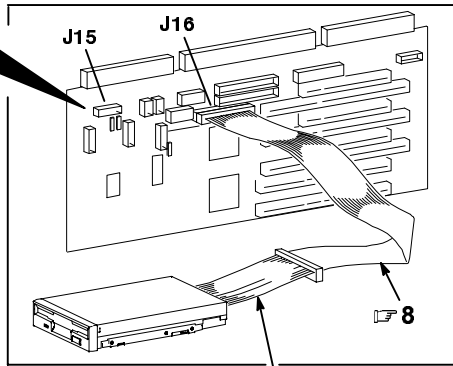
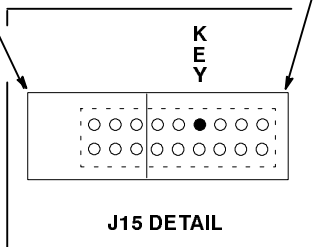
Figure 1. Kernel Assembly (Sheet 7 of 8)

INDICATES FRU LEVEL PARTS.

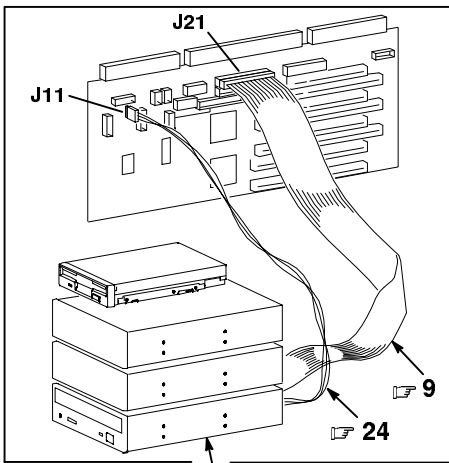
PARTS LIST

CABLE TO ITEM 12 REF
SIDE AUDIO

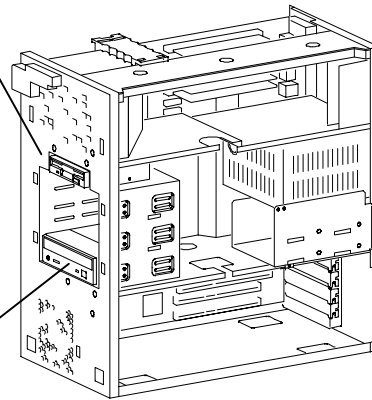
CABLE TO FRONT PANEL/SPEAKER
ITEM 15 OR 35 REF



RED LINE ON CABLE



41 REF
43 REF



IP-SNB3AA-08

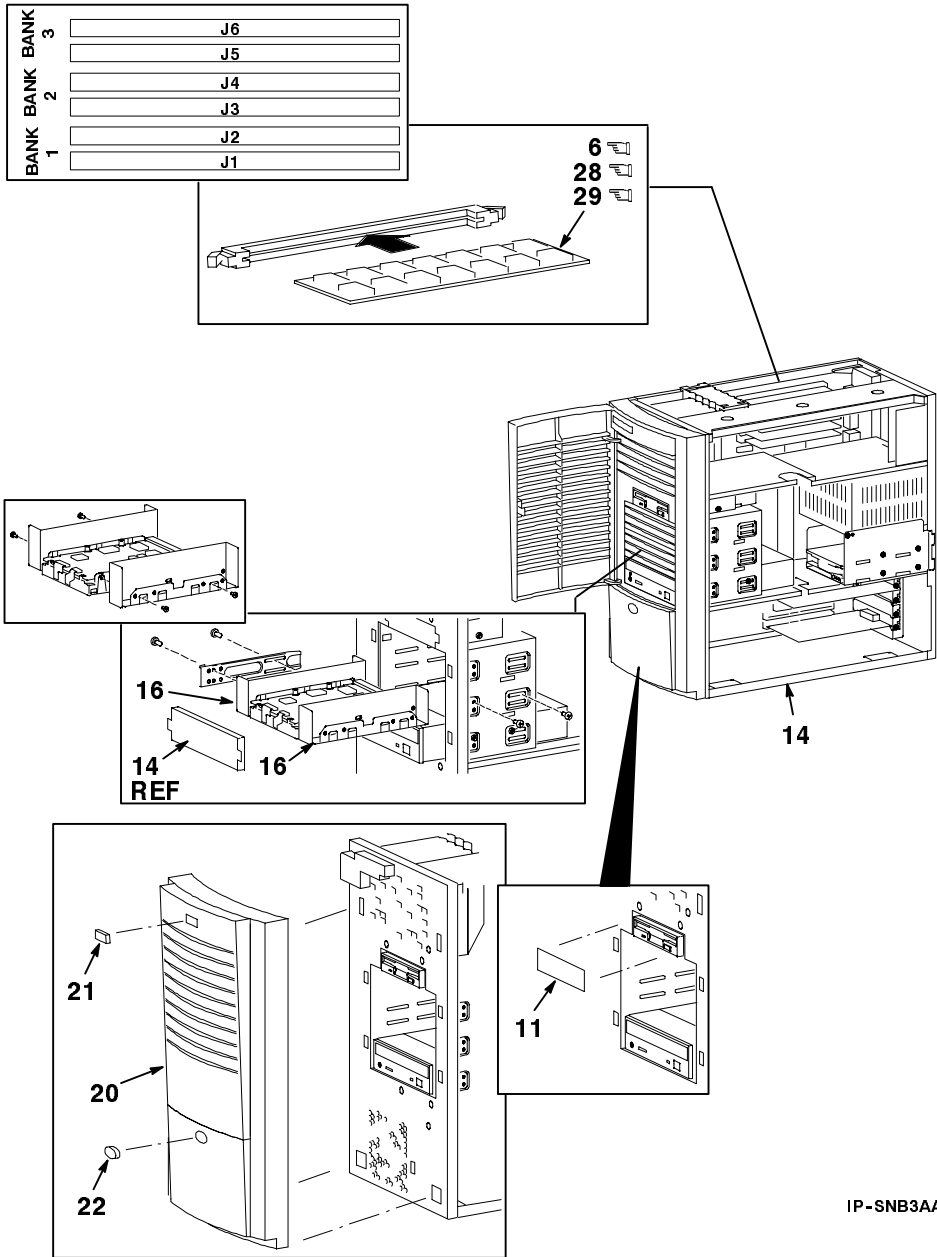
Figure 1. Kernel Assembly (Sheet 8 of 8)

FIG.& ITEM NO.	DESCRIPTION	DIGITAL PART NO.	ECO CUT-IN SNB3AAA WBS008	USED ON CODE	REF FIG NO.
1-	KERNEL ASSEMBLY (433 MHz)	SN-B3AAA-P1		A	
	KERNEL ASSEMBLY (500 MHz)	SN-B3AAA-P2		B	
	KERNEL ASSEMBLY (433 MHz)	SN-B3AAA-P3		C	
	KERNEL ASSEMBLY (600 MHz)	SN-B3AAA-P6		D	
	KERNEL ASSEMBLY (433 MHz)	SN-B3AAA-R2		E	
	KERNEL ASSEMBLY (500 MHz)	SN-B3AAA-R3		F	
	KERNEL ASSEMBLY (600 MHz)	SN-B3AAA-R6		G	
	KERNEL ASSEMBLY (433 MHz)	SN-B3AAA-V4		H	
	KERNEL ASSEMBLY (500 MHz)	SN-B3AAA-V5		J	
	KERNEL ASSEMBLY (600 MHz)	SN-B3AAA-V6		K	
1	*Bumper, Rubber (Qty. 2)	90-09538-02			
2	*Fingerstock, .750 LG	12-22063-04		A	
☞ 3	*Fan, Tube Axial, 80 mm (Qty. 2)	12-24701-36			
4	*Gasket, Wire Mesh	12-47288-01		A	
5	*Gasket, Wire Mesh	12-47288-02		A	
6	*Gasket, Wire Mesh	12-47288-03		A	
7	*Gasket, Wire Mesh	12-47288-04		A	
☞ 8	*Cable, Flat, 34 Pos., (Riser Module (J16) to Diskette Drive)	17-03460-12			
☞ 9	*Cable, 40 Pos., IDE, (Riser Module (J21) Primary Drive Connector and (J20) Secondary Drive Connector (For Installed Drive) to CD-ROM) (Qty. 2)	17-03461-08		ABCD	
☞ 10	*Power Supply, 300W (added)	30-47661-04	WBS008		
☞ 11	*Module, MLB w/Integrated EV5 CPU (500 MHz)	54-24767-02		BJ	
☞ 12	*Module, Front Panel Control Board	54-24526-03		A	
☞ 13	*Module, MLB, w/Inteegrated EV5 CPU (433 MHz)	54-24767-01		ACH	
☞ 14	*Module, Combo PCI/ISA Riser w/Ethernet	54-24769-01		ABCD HJK	
15	*Enclosure Assembly, Mini-Tower	70-32678-01		A	
16	*Bumper, M/B	74-49836-01			
17	*Fan Mount, Universal	74-51236-01			
18	*Shield, Option Slot	74-51718-01		A	
19	*Support, Plastic, MLB Retainer	74-51880-01			
20	*Bracket, Board Alignment (Qty. 2)	74-51796-01			
21	*Screw, Sems, Pan Hd. 6-32 x 1/4 (Qty. 10)	90-09984-28			
22	*Ferrite Bead Assembly (Qty. 2)	16-25105-16		A	
	*Ferrite Bead Assembly (Qty. 3)	16-25105-16		B-K	
☞ 23	*Disk Drive, 1.44 MB, 3.5 In. (added)	RX23L-AB	WBS002	B-K	

FIG.& ITEM NO.	DESCRIPTION	DIGITAL PART NO.	ECO CUT-IN SNB3AAA 00008	USED ON CODE	REF FIG NO.
1-	KERNEL ASSEMBLY (continued)				
☞24	*Wire Harness Assy, 3P + 4P Housing to 4P Housing (added)	17-04278-02	WBS002	B-K	
☞25	*Cable, Flat, 16 Cond IDC, w/Key plug (added)	17-04476-01	WBS002	B-K	
☞26	*Cable, Round Shielded 40 Pos. (added)	17-04473-01	WBS002	B-K	
☞27	*Cable, Round Shielded 16 Pos. (added)	17-04477-01	WBS002	B-K	
☞28	*Module, Audio (added)	54-24572-01	WBS002	B-K	
29	*Label, Regulatory (added)	36-45536-38	WBS002	BCD	
30	*Plate, Disk Drive (added)	74-51719-01	WBS002	B-K	
31	*Gasket, Dual Option (added)	74-51922-01	WBS002	B-K	
☞32	*Module, LAN 100 MHz (added)	54-24560-01	WBS002	B-K	
☞33	*Module, MLB 600 MHz (added)	54-24767-03	WBS002	DK	
34	*Screw, Mach M3 Pan 4MM (added)	90-10961-01	WBS002	B-K	
35	*Enclosure Assembly (added)	70-32678-05	WBS002	B-K	
36	*Fanpipe, 600 MHz (added)	74-52419-01	WBS003		
☞37	*Module, GL MLB, 433 MHz EV56 (added)	54-25222-01	WBS005	E	
☞38	*Module, GL MLB, 500 MHz EV56 (added)	54-25222-02	WBS005	F	
☞39	*Module, GL MLB, 600 MHz EV56 (added)	54-25222-03	WBS005	G	
40	*Label, Regulatory (added)	36-49267-06	WBS005	E-K	
☞41	*CD-ROM Drive, 24X IDE (added)	PCXRN-AN	WBS005	BCD	
☞42	*Module, PC164 Riser (added)	54-25166-01	WBS006	EFG	
☞43	*CD-ROM Drive, 12X 600MB 5.25 In (added)	RRD46-AB	WBS006	HJK	
☞44	*Cable, SCSI (added) (Not Shown)	17-04009-01	WBS006	HJK	
☞45	*Label, "Personal Workstation 600A" (added)	36-49421-23	WBS007	BCD	
☞46	*Washer, Flat (Adhesive Backed) (added)	90-40324-01	WBS008		

INDICATES FRU LEVEL PARTS.

PARTS LIST

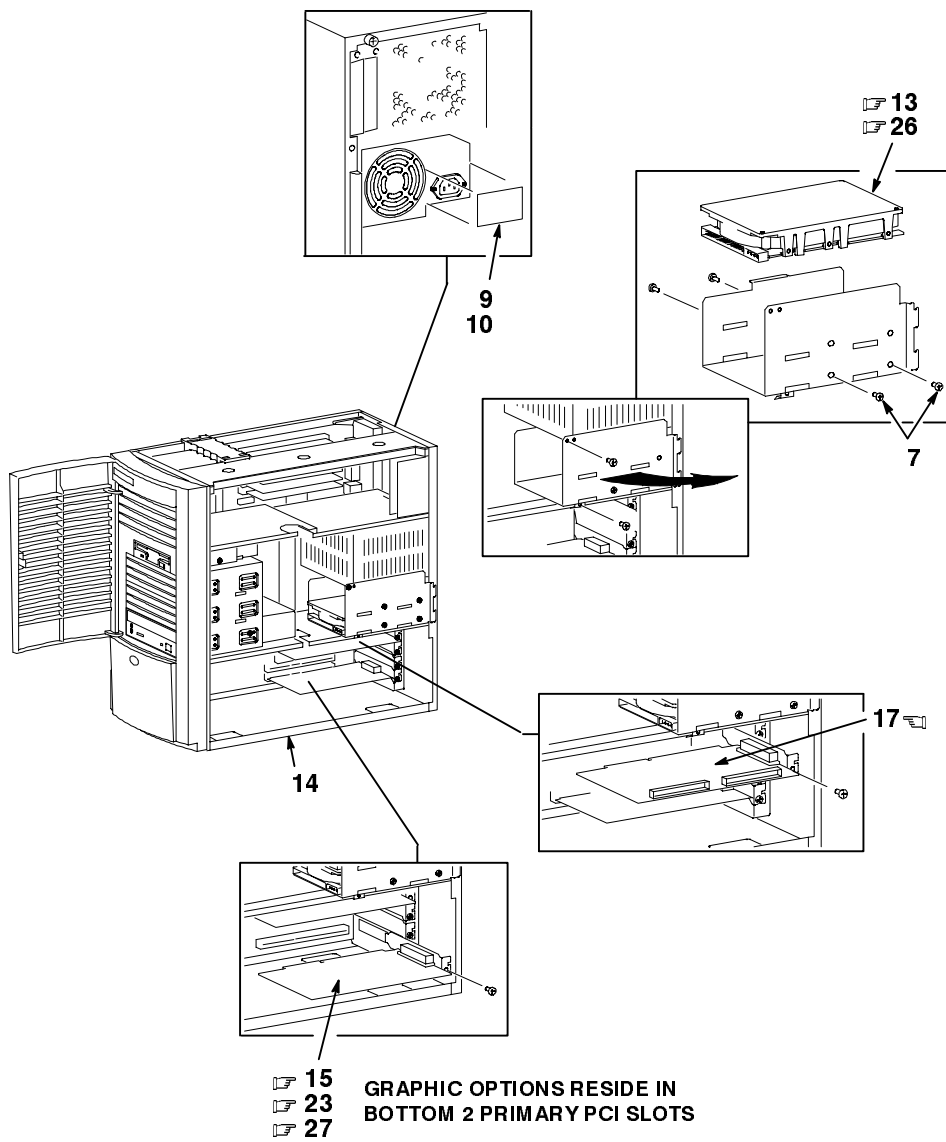


IP-SNB3AAP-01

Figure 2. Packaged Systems (North American) (Sheet 1 of 3)

INDICATES FRU LEVEL PARTS.

PARTS LIST

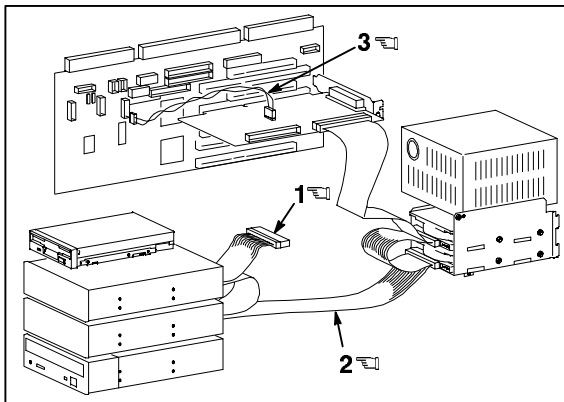
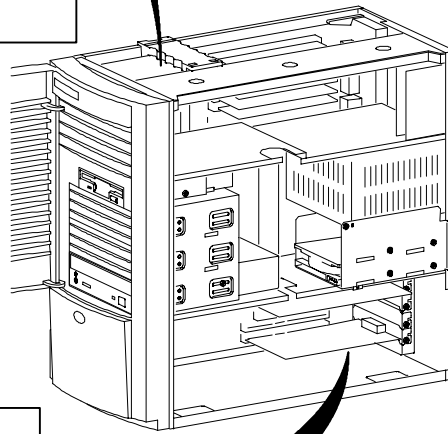
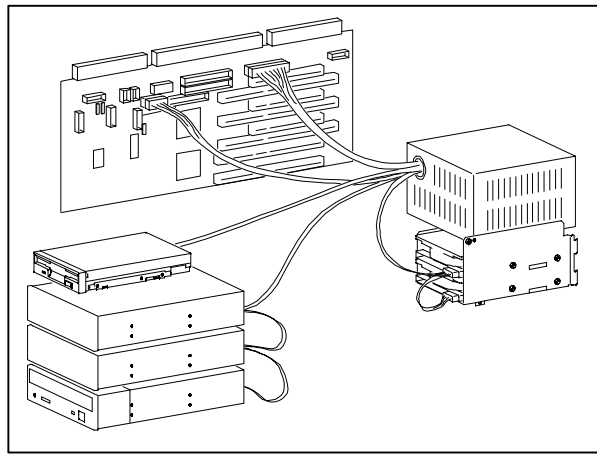


IP-SNB3AAP-02

Figure 2. Packaged Systems (North American) (Sheet 2 of 3)

INDICATES FRU LEVEL PARTS.

PARTS LIST



IP-SNB3AAP-03

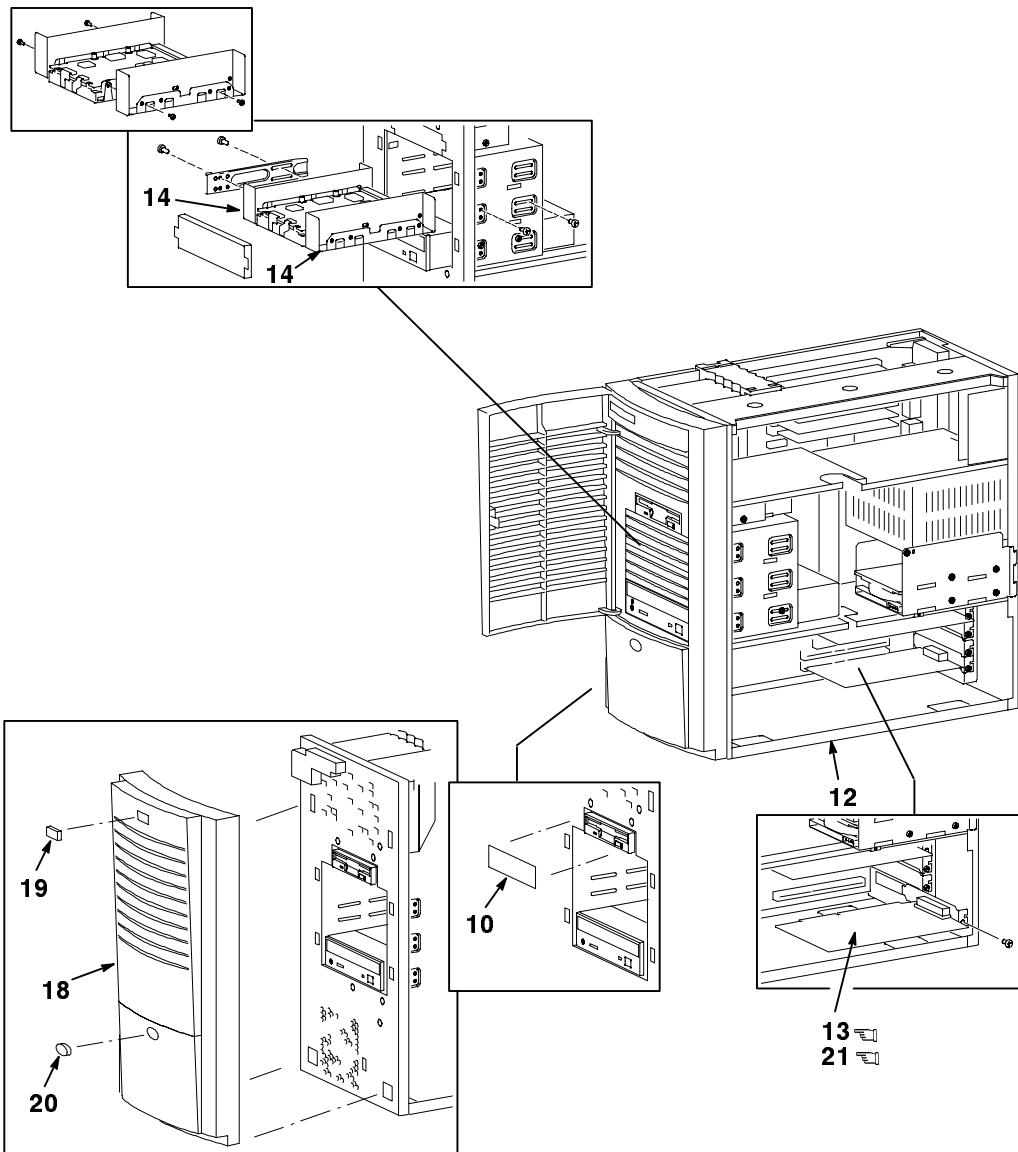
Figure 2. Packaged Systems (North American) (Sheet 3 of 3)

FIG.& ITEM NO.	DESCRIPTION	DIGITAL PART NO.	ECO CUT-IN SNB3AAP WSB005	USED ON CODE	REF FIG NO.
2-	PERSONAL WORKSTATION 433a PACKAGED SYSTEMS (NORTH AMERICAN)				
	Entry System, EV56 CPU, 32 MB ECC DIMM	SN-B3AAP-EB		A	
	SBB, EV56 CPU, 64 MB ECC DIMM	SN-B3AAP-F1		B	
	SBB, (WNT) (433A) 64 MB, 2.1 GB (US)	SN-B3AAP-FL		C	
	IBM® Pyxis, 2.1 GB, UW SCSI, ,64MB ECC DIMM	SN-B3AAP-FQ		D	
	3D CAD, EV56 CPU, 64 MB ECC DIMM	SN-B3AAP-FS		E	
	3D+ CAD, EV56 CPU, 64 MB ECC DIMM	SN-B3AAP-FW		F	
	SBB, EV56 CPU, 128 MB ECC DIMM	SN-B3AAP-L1		G	
	SBB, WNT, No Memory/HDD/GFX	SN-B3AAP-T1		H	
	SBB, WNT, WW, No Memory/HDD/GFX	SN-B3AAP-U1		J	
	SBB, WNT, WW, PKG. SYS, 64 MB, 2.1 GB	SN-B3AAP-WL		K	
1	*Terminator, 68 Pos. Single Ended, SSI (added)	12-45538-01	WSB002		
2	*Cable, Flat, 68 Cond. (added)	17-04474-01	WSB002		
3	*Harness, SCSI Adapter to J10 on Riser Module	17-04472-01			
4	*Microphone, (added) (Not Shown)	30-43275-01	WSB002	ACDEFK	
5	*Headset, Stereo (added) (Not Shown)	30-43276-01	WSB002	ACDEFK	
6	*Module, 64MB SDRAM	54-25092-BA		G	
7	*Screw, Sems Pan Hd 6-32 x 1/4	90-09984-28		ACDE FGK	
8	*Country Kit, Windows NT V4.0 (added) (N/S)	SN-PBB3P-AA	WSB002	A-H	
9	*Label, "Warning, Equip. Rating 100V-120V" (added)	36-17905-16	WSB002		
10	*Label, "Warning, Equip. Rating 100V-120V" (added)	36-17905-17	WSB002		
11	*Label, "Pre-Installed Software" (added)	36-28979-01	WSB002		
12	*Label, FCC Class A (Not Shown)	36-48070-01		F	
13	*Drive, IDE 2 GB (Not Shown)	PCXRA-AN		A	
14	*KERNEL ASSEMBLY, 433 MHz, (added)	SN-B3AAA-P3	WSB002		1
15	*Module, ACCELPRO 2500 TX 3D Graphics Adpt.	SN-PCXAG-AW		E	
16	*Bracket, Exchange	74-48510-01			
17	*Module, Single Channel PCI to Ultra SCSI (added)	KZPBA-CX	WSB002	CDEFK	
18	*Drive, UltraSCSI, Wide 2 GB 1 Inch (added) (N/S)	RZ1BB-BA	WSB002	CDK	
19	*Cable, 40 Pos., IDE, (Riser Module (J21) Primary Drive Connector and (J20) Secondary Drive Connector (For Installed Drive) to CD-ROM) (Qty. 2) (See Fig 1 item 9) (added)	17-03461-08	WSB002		
20	*Bezel Assembly (added)	70-33006-01	WSB002		
21	*Medallion, Front Panel (added)	74-48816-01	WSB002		
22	*Speed Button, 433a (added)	74-51176-38	WSB002		
23	*Adapter, Graphics (added)	PCXGA-AA	WSB002	A	

FIG.& ITEM NO.	DESCRIPTION	DIGITAL PART NO.	ECO CUT-IN SNB3AAP 00005	USED ON CODE	REF FIG NO.
2-	PERSONAL WORKSTATION 433a PACKAGED SYSTEMS (NORTH AMERICAN) (continued)				
☞24	*Module, 2 MB Back-Up Cache (added) (Not Shown)	54-24825-03	WSB002	CK	
☞25	*Cable, SCSI Adapter 68 Pin to 50 Pin (added) (Not Shown) (See Note)	17-04009-01	WSB002		
☞26	*Drive, 4.3 BG 720K SCSI (added)	RZ1CC-BA	WSB003	EF	
☞27	*Module, 3D Graphics (added)	30-46506-10	WSB003	F	
☞28	*Module, 32 MB, DIMM SDRAM (added)	54-25084-FX	WSB005	B-F, K	
☞29	*Module, 16 MB, DIMM SDRAM (added)	54-25084-EX	WSB005	A	
<p>Note: The use of narrow devices, such as zip drives, requires the installation of item 25.</p>					

INDICATES FRU LEVEL PARTS.

PARTS LIST

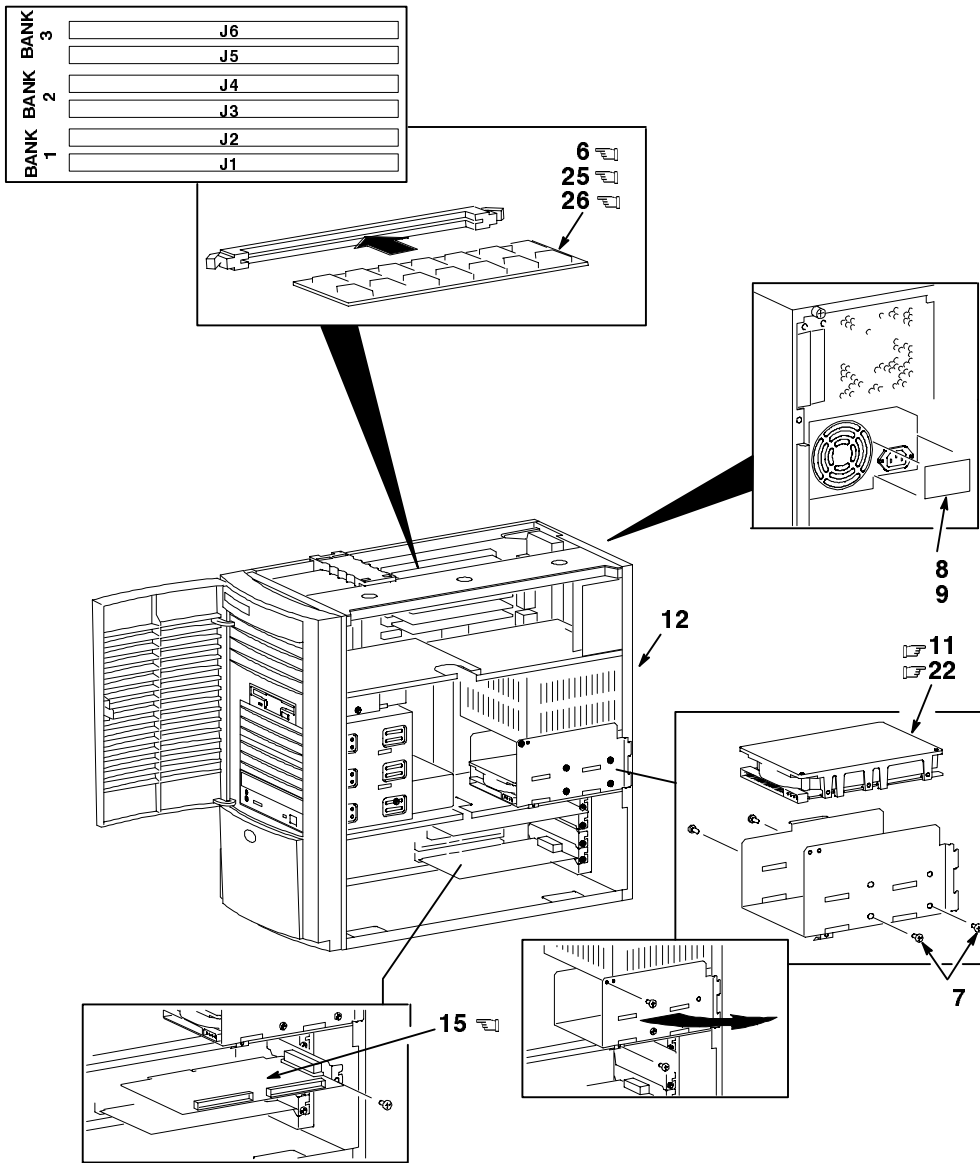


IP-SNB3AWW-01

Figure 3. Packaged Systems (International) (Sheet 1 of 3)

INDICATES FRU LEVEL PARTS.

PARTS LIST



IP-SNB3AWW-02

Figure 3. Packaged Systems (International) (Sheet 2 of 3)

INDICATES FRU LEVEL PARTS.

PARTS LIST

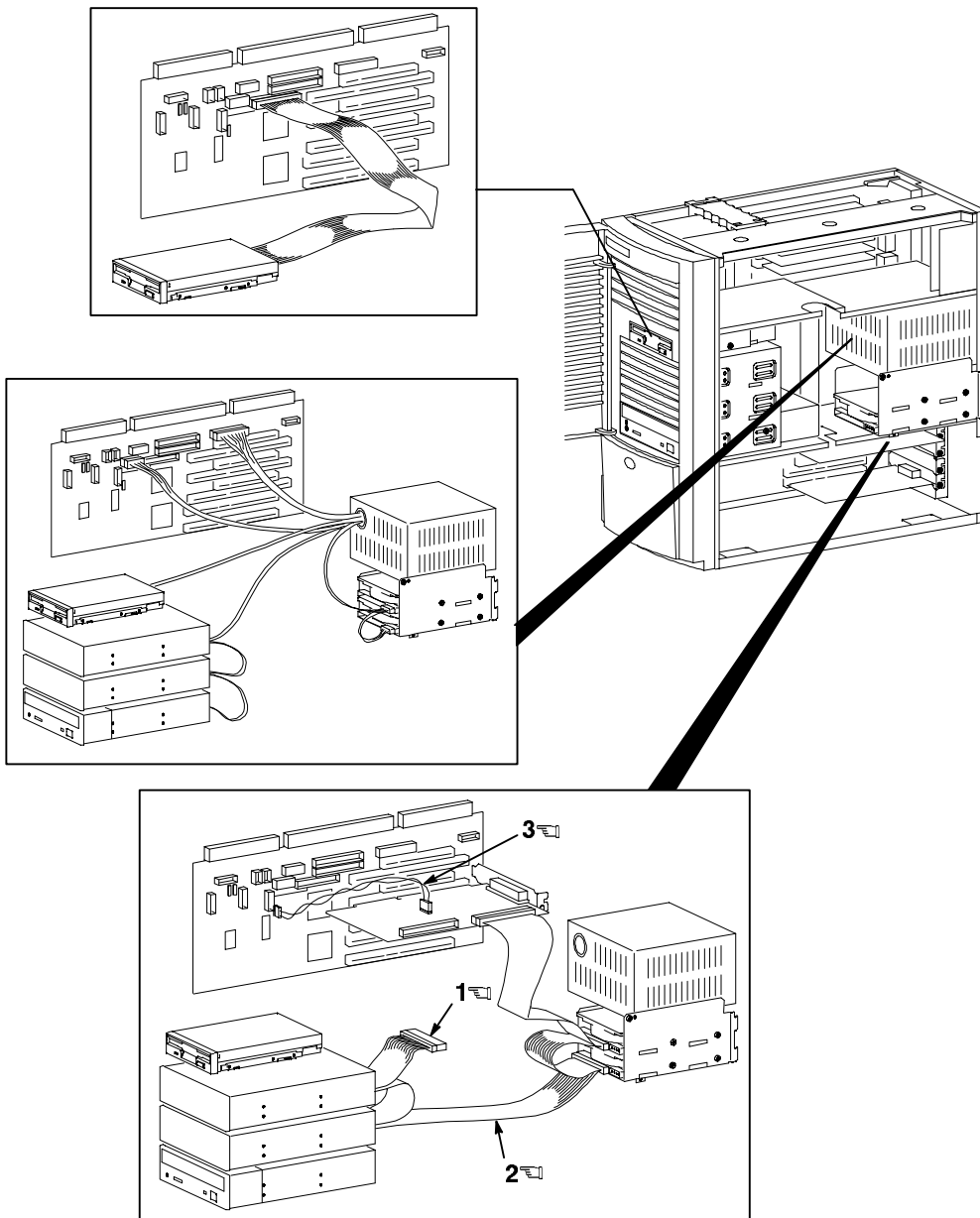


Figure 3. Packaged Systems (International) (Sheet 3 of 3)

FIG.& ITEM NO.	DESCRIPTION	DIGITAL PART NO.	ECO CUT-IN SNB3AWW WBS004	USED ON CODE	REF FIG NO.
3-	PERSONAL WORKSTATION 433a PACKAGED SYSTEMS (INTERNATIONAL)				
	SBB, EV56 CPU, 32 MB ECC DIMM	SN-B3AWW-E1		A	
	Entry System, EV56 CPU, 32 MB ECC DIMM	SN-B3AWW-EB		B	
	SBB, EV56 CPU, 64 MB ECC DIMM	SN-B3AWW-F1		C	
	IBM® Pyxis, 2.1 GB, UW SCSI, 64MB ECC DIMM	SN-B3AWW-FQ		D	
	3D CAD, EV56 CPU, 64 MB ECC DIMM	SN-B3AWW-FS		E	
	3D+ CAD, EV56 CPU, 64 MB ECC DIMM	SN-B3AWW-FW		F	
	SBB, EV56 CPU, 128 MB ECC DIMM	SN-B3AWW-L1		G	
1	*Terminator, 68 Position, Single End, SSI (added)	12-45538-01	WBS002	B-G	
☞2	*Cable, SCSI 3, 68 Pos., (CD-ROM to J21 (Primary) on Riser Module) (added)	17-04474-01	WBS002	B-G	
☞3	*Harness, SCSI Adapter to J10 on Riser Module (added)	17-04472-01	WBS002	B-G	
4	*Microphone (Not Shown)	30-43275-01		BDEF	
5	*Headset, Stereo w/8 Ft. Cord (Not Shown)	30-43276-01		BDEF	
☞6	*Module, 64 MB SDRAM (Qty. 2)	54-24829-DA		G	
7	*Screw, Sems Pan Hd. 6-32 x 1/4 (Qty. 4)	90-09984-28		BDEF	
8	*Label, "Warning, Equip. Rating, 100V-120V"	36-17905-16		B-G	
9	*Label, "Warning, Equip. Rating, 220V-240V"	36-17905-17		B-G	
10	*Label, "Pre-Installed Software"	36-28979-01		B-G	
☞11	*Drive, IDE 2.0 GB (added)	PCXRA-AN	WBS001	B	
12	*KERNEL ASSEMBLY, 433 MHz	SN-B3AAA-P3		B-G	1
☞13	*Module, 3D Graphics Adapter (added)	SN-PCXAG-AW	WBS001	E	
14	*Bracket, Exchange (added)	74-48510-01	WBS001	B-G	
☞15	*Module, Single Channel PCI to UltraSCSI Adapt. (added)	KZPBA-CX	WBS002	DEF	
16	*Drive, 2 GB 720K UltraSCSI Wide (added) (N/S)	RZ1BB-BA	WBS002	D	
☞17	*Cable, 40 Pos., IDE, (Riser Module (J21) Primary Drive Connector and (J20) Secondary Drive Connector (For Installed Drive) to CD-ROM) (Qty. 2) (See Fig 1 item 9) (added)	17-03461-08	WSB002	B-G	
18	*Bezel Assembly (added)	70-33006-01	WBS002	B-G	
19	*Medallion, Front Panel (added)	74-48816-01	WBS002	B-G	
20	*Speed Button, 433a (added)	74-51176-38	WBS002	B-G	
☞21	*Controller, Graphics Power Storm 4D10T(added)	PCXGA-AC	WBS002	B	
☞22	*Drive, 4.3 GB 720K UltraSCSI (added)	RZ1CB-BA	WBS002	EF	
☞23	*Cable, SCSI 68 Pin to 50 Pin Adapter (added) (Not Shown)	17-04009-01	WBS002	B-G	
☞24	*Module, 3D Graphics (added)	30-46506-10	WBS002	F	
☞25	*Module, 32 MB DIMM SDRAM (added)	54-25084-FX	WBS004	CDEF	
☞26	*Module, 16 MB DIMM SDRAM (added) (Not Shown)	54-25084-EX	WBS004	B	

PART NUMBER/DESCRIPTION INDEX



INDEX BY DIGITAL PART NUMBER

Personal Workstation Series

PART NUMBER	DESCRIPTION	FIG.-ITEM NUMBER
12-22063-04	Fingerstock, .750 LG	1-2
12-24701-36	Fan, Tube Axial, 80 mm (Qty. 2)	1-3
12-45538-01	Terminator, 68 Pos. Single Ended, SSI	2-1, 3-1
12-47288-01	Gasket, Wire Mesh	1-4
12-47288-02	Gasket, Wire Mesh	1-5
12-47288-03	Gasket, Wire Mesh	1-6
12-47288-04	Gasket, Wire Mesh	1-7
16-25105-16	Ferrite Bead Assembly	1-22
17-03460-12	Cable, Flat, 34 Pos., (Riser Module (J16) to Disk Drive)	1-8
17-03461-08	Cable, 40 Pos., IDE, (Riser Module (J21) Primary Drive Connector and (J20) Secondary Drive Connector	1-9, 2-19, 3-17
17-04009-01	Cable, SCSI Adapter (68 Pin to 50 Pin)	1-44, 2-25, 3-23
17-04278-02	Wire Harnes Asy, 3P + 4P Housing to 4P Housing	1-24
17-04472-01	Harness, SCSI Adapter to J10 on Riser Module	2-3, 3-3
17-04473-01	Cable, Round Shielded 40 Pos.	1-26
17-04474-01	Cable, SCSI 3, 68 Pos. (CDROM to J21)	2-2, 3-2
17-04476-01	Cable, Flat, 16 Cond IDC, w/Key plug	1-25
17-04477-01	Cable, Round Shielded 16 Pos.	1-27
30-43275-01	Microphone (Not Shown)	3-4
30-43275-01	Microphone, (added) (Not Shown)	2-4
30-43276-01	Headset, Stereo w/8 Ft. Cord (Not Shown)	2-5, 3-5
30-46506-10	Module, 3D Graphics	2-27, 3-24
30-47661-01	Power Supply, 300W	1-10
36-17905-16	Label, "Warning, Equip. Rating 100V-120V"	2-9, 3-8
36-17905-17	Label, "Warning, Equip. Rating 100V-120V"	2-10, 3-9
36-28979-01	Label, "Pre-Installed Software"	2-11, 3-10
36-45536-38	Label, Regulatory	1-29
36-48070-01	Label, FCC Class A (Not Shown)	2-12
36-49267-06	Label, Regulatory	1-40
36-49421-23	Label, "Personal Workstation 600A"	1-45
54-24526-03	Module, Front Panel Control Board	1-12
54-24560-01	Module, LAN 100 MHz	1-32
54-24572-01	Module, Audio	1-28
54-24767-01	Module, MLB, w/Inted EV5 CPU (433 MHz)	1-13
54-24767-02	Module, MLB w/Int. EV5 CPU (500 MHz)	1-11
54-24767-03	Module, MLB 600 MHz	1-33
54-24769-01	Module, Combo PCI/ISA Riser w/Ethernet	1-14
54-24825-03	Module, 2 MB Back-Up Cache (Not Shown)	2-24
54-24829-DA	Module, 64 MB SDRAM	3-6
54-25084-EX	Module, 16 MB DIMM SDRAM (Not Shown)	3-26
54-25084-EX	Module, 16 MB, DIMM SDRAM	2-29
54-25084-FX	Module, 32 MB DIMM SDRAM	3-25
54-25084-FX	Module, 32 MB, DIMM SDRAM	2-28
54-25092-BA	Module, 64MB SDRAM	2-6
54-25166-01	Module, PC164 Riser	1-42
54-25222-01	Module, GL MLB, 433 MHz EV56	1-37
54-25222-02	Module, GL MLB, 500 MHz EV56	1-38
54-25222-03	Module, GL MLB, 600 MHz EV56	1-39

INDEX BY DIGITAL PART NUMBER

Personal Workstation Series

PART NUMBER	DESCRIPTION	FIG.-ITEM NUMBER
70-32678-01	Enclosure Assembly, Mini-Tower	1-15
70-32678-05	Enclosure Assembly	1-35
70-33006-01	Bezel Assembly	2-20, 3-18
74-48510-01	Bracket, Exchange	2-16, 3-14
74-48816-01	Medallion, Front Panel	2-21, 3-19
74-49836-01	Bumper, M/B	1-16
74-51176-38	Speed Button, 433a	2-22, 3-20
74-51236-01	Fan Mount, Universal	1-17
74-51718-01	Shield, Option Slot	1-18
74-51719-01	Plate, Disk Drive	1-30
74-51796-01	Bracket, Board Alignment (Qty. 2)	1-20
74-51880-01	Support, Plastic, MLB Retainer	1-19
74-51922-01	Gasket, Dual Option	1-31
74-52419-01	Fanpipe, 600 MHz	1-36
90-09538-02	Bumper, Rubber (Qty. 2)	1-1
90-09984-28	Screw, Sems Pan Hd 6-32 x 1/4	2-7,3-7,1-21
90-10961-01	Screw, Mach M3 Pan 4MM	1-34
KZPBA-CX N/A	Module, Single Channel PCI to Ultra SCSI PERSONAL WORKSTATION 433a PACK. SYS (N.A.)	2-17,3-15 2-N/A
PCXGA-AA	Adapter, Graphics	2-23
PCXGA-AC	Controller, Graphics Power Storm 4D10T	3-21
PCXRA-AN	Drive, IDE 2.0 GB (Not Shown)	2-13,3-11
PCXRN-AN	CD-ROM Drive, 24X IDE	1-41
RRD46-AB	CD-ROM Drive, 12X 600MB 5.25 In	1-43
RX23L-AB	Disk Drive, 1.44 MB, 3.5 In.	1-23
RZ1BB-BA	Drive, UltraSCSI, Wide 2 GB 1 Inch 2 GB	2-18, 3-16
RZ1CB-BA	Drive, 4.3 GB 720K UltraSCSI	2-26, 3-22
SN-B3AAA-P1	KERNEL ASSEMBLY (433 MHz)	1-A
SN-B3AAA-P2	KERNEL ASSEMBLY (500 MHz)	1-B
SN-B3AAA-P3	KERNEL ASSEMBLY (433 MHz)	1-C, 2-14, 3-12
SN-B3AAA-P6	KERNEL ASSEMBLY (600 MHz)	1-D
SN-B3AAA-R2	KERNEL ASSEMBLY (433 MHz)	1-E
SN-B3AAA-R3	KERNEL ASSEMBLY (500 MHz)	1-F
SN-B3AAA-R6	KERNEL ASSEMBLY (600 MHz)	1-G
SN-B3AAA-V4	KERNEL ASSEMBLY (433 MHz)	1-H
SN-B3AAA-V5	KERNEL ASSEMBLY (500 MHz)	1-J
SN-B3AAA-V6	KERNEL ASSEMBLY (600 MHz)	1-K
SN-B3AAP-EB	Entry System, EV56 CPU, 32 MB ECC DIMM	2-A
SN-B3AAP-F1	SBB, EV56 CPU, 64 MB ECC DIMM	2-B
SN-B3AAP-FL	SBB, (WNT) (433A) 64 MB, 2.1 GB (US)	2-C
SN-B3AAP-FQ	IBMT Pyxis, 2.1 GB, UW SCSI, 64MB DIMM	2-D
SN-B3AAP-FS	3D CAD, EV56 CPU, 64 MB ECC DIMM	2-E
SN-B3AAP-FW	3D+ CAD, EV56 CPU, 64 MB ECC DIMM	2-F
SN-B3AAP-L1	SBB, EV56 CPU, 128 MB ECC DIMM	2-G
SN-B3AAP-T1	SBB, WNT, No Memory/HDD/GFX	2-H
SN-B3AAP-U1	SBB, WNT, WW, No Memory/HDD/GFX	2-J
SN-B3AAP-WL	SBB, WNT, WW, PKG. SYS, 64 MB, 2.1 GB	2-K

INDEX BY DIGITAL PART NUMBER

Personal Workstation Series

PART NUMBER	DESCRIPTION	FIG.-ITEM NUMBER
SN-B3AWW-E1	SBB, EV56 CPU, 32 MB ECC DIMM	3-A
SN-B3AWW-EB	Entry System, EV56 CPU, 32 MB ECC DIMM	3-B
SN-B3AWW-F1	SBB, EV56 CPU, 64 MB ECC DIMM	3-C
SN-B3AWW-FQ	IBMT Pyxis, 2.1 GB, UW SCSI, 64MB ECC DIMM	3-D
SN-B3AWW-FS	3D CAD, EV56 CPU, 64 MB ECC DIMM	3-E
SN-B3AWW-FW	3D+ CAD, EV56 CPU, 64 MB ECC DIMM	3-F
SN-B3AWW-L1	SBB, EV56 CPU, 128 MB ECC DIMM	3-G
SN-PBB3P-AA	Country Kit, Windows NT V4.0 (added) (Not Shown)	2-8
SN-PCXAG-AW	Module, 3D Graphics Adapter	3-13
SN-PCXAG-AW	Module, ACCELPRO 2500 TX 3D Graphics Adpt.	2-15

INDEX BY DIGITAL PART DESCRIPTION

Personal Workstation Series

DESCRIPTION	PART NUMBER	FIG.-ITEM NUMBER
3D CAD, EV56 CPU, 64 MB ECC DIMM	SN-B3AAP-FS	2-E
3D CAD, EV56 CPU, 64 MB ECC DIMM	SN-B3AWW-FS	3-E
3D+ CAD, EV56 CPU, 64 MB ECC DIMM	SN-B3AAP-FW	2-F
3D+ CAD, EV56 CPU, 64 MB ECC DIMM	SN-B3AWW-FW	3-F
Adapter, Graphics	PCXGA-AA	2-23
Bezel Assembly	70-33006-01	2-20, 3-18
Bracket, Board Alignment	74-51796-01	1-20
Bracket, Exchange	74-48510-01	2-16, 3-14
Bumper, M/B	74-49836-01	1-16
Bumper, Rubber	90-09538-02	1-1
Cable, 40 Pos., IDE, (Riser Module (J21)	17-03461-08	1-9, 2-19, 3-17
Cable, Flat, 16 Cond IDC, w/Key plug	17-04476-01	1-25
Cable, Flat, 34 Pos., (Riser Module (J16) to Diskette Drive)	17-03460-12	1-8
Cable, Flat, 68 Cond.	17-04474-01	2-2
Cable, Round Shielded 16 Pos.	17-04477-01	1-27
Cable, Round Shielded 40 Pos.	17-04473-01	1-26
Cable, SCSI Adapter 68 Pin to 50 Pin (Not Shown)	17-04009-01	1-44, 2-25
Cable, SCSI 3, 68 Pos., (CDROM toJ21)	17-04474-01	3-2
Cable, SCSI 68 Pin to 50 Pin	17-04009-01	3-23
CD-ROM Drive, 12X 600MB 5.25 In	RRD46-AB	1-43
CD-ROM Drive, 24X IDE	PCXRN-AN	1-41
Controller, Graphics Power Storm 4D 10T	PCXGA-AC	3-21
Country Kit, Windows NT V4.0	SN-PBB3P-AA	2-8
Disk Drive, 1.44 MB, 3.5 In.	RX23L-AB	1-23
Drive, 2 GB 720K UltraSCSI Wide (N/S)	RZ1BB-BA	3-16
Drive, 4.3 BG 720K SCSI	RZ1CC-BA	2-26
Drive, 4.3 GB 720K UltraSCSI	RZ1CB-BA	3-22
Drive, IDE 2 GB (Not Shown)	PCXRA-AN	2-13, 3-11
Drive, UltraSCSI, Wide 2 GB 1 Inch (Not Shown)	RZ1BB-BA	2-18
Enclosure Assembly	70-32678-05	1-35
Enclosure Assembly, Mini-Tower	70-32678-01	1-15
Entry System, EV56 CPU, 32 MB ECC DIMM	SN-B3AWW-EB	3-B
Entry System, EV56 CPU, 32 MB ECC DIMM	SN-B3AAP-EB	2-A
Fan Mount, Universal	74-51236-01	1-17
Fan, Tube Axial, 80 mm (Qty. 2)	12-24701-36	1-3
Fanpipe, 600 MHz	74-52419-01	1-36
Ferrite Bead Assembly	16-25105-16	1-22
Fingerstock, .750 LG	12-22063-04	1-2
Gasket, Dual Option	74-51922-01	1-31
Gasket, Wire Mesh	12-47288-01	1-4
Gasket, Wire Mesh	12-47288-02	1-5
Gasket, Wire Mesh	12-47288-03	1-6
Gasket, Wire Mesh	12-47288-04	1-7
Harness, SCSI Adapt to J10 on Riser Module	17-04472-01	2-3, 3-3
Headset, Stereo w/8 Ft. Cord (Not Shown)	30-43276-01	2-5, 3-5

INDEX BY DIGITAL PART DESCRIPTION
Personal Workstation Series

DESCRIPTION	PART NUMBER	FIG.-ITEM NUMBER
IBMT Pyxis, 2.1 GB, UW SCSI, 64MB ECC DIMM	SN-B3AAP-FQ	2-D
IBMT Pyxis, 2.1 GB, UW SCSI, 64MB ECC DIMM	SN-B3AWW-FQ	3-D
KERNEL ASSEMBLY (433 MHZ)	SN-B3AAA-P1	1-A
KERNEL ASSEMBLY (500 MHZ)	SN-B3AAA-P2	1-B
KERNEL ASSEMBLY (433 MHZ)	SN-B3AAA-P3	1-C
KERNEL ASSEMBLY (600 MHZ)	SN-B3AAA-P6	1-D
KERNEL ASSEMBLY (433 MHZ)	SN-B3AAA-R2	1-E
KERNEL ASSEMBLY (500 MHZ)	SN-B3AAA-R3	1-F
KERNEL ASSEMBLY (600 MHZ)	SN-B3AAA-R6	1-G
KERNEL ASSEMBLY (433 MHZ)	SN-B3AAA-V4	1-H
KERNEL ASSEMBLY (500 MHZ)	SN-B3AAA-V5	1-J
KERNEL ASSEMBLY (600 MHZ)	SN-B3AAA-V6	1-K
KERNEL ASSEMBLY (433 MHZ)	SN-B3AAA-P3	1-C, 2-14, 3-12
KERNEL ASSEMBLY (600 MHZ)	SN-B3AAA-P6	1-D
KERNEL ASSEMBLY (433 MHZ)	SN-B3AAA-R2	1-E
KERNEL ASSEMBLY (500 MHZ)	SN-B3AAA-R3	1-F
KERNEL ASSEMBLY (600 MHZ)	SN-B3AAA-R6	1-G
KERNEL ASSEMBLY (433 MHZ)	SN-B3AAA-V4	1-H
KERNEL ASSEMBLY (500 MHZ)	SN-B3AAA-V5	1-J
KERNEL ASSEMBLY (600 MHZ)	SN-B3AAA-V6	1-K
Medallion, Front Panel	74-48816-01	2-21, 3-19
Microphone (Not Shown)	30-43275-01	2-4, 3-4
Module, 16 MB DIMM SDRAM	54-25084-EX	2-29, 3-26
Module, 2 MB Back-Up Cache (Not Shown)	54-24825-03	2-24
Module, 32 MB DIMM SDRAM	54-25084-FX	2-28, 3-25
Module, 3D Graphics	30-46506-10	2-27, 3-24
Module, 3D Graphics Adapter	SN-PCXAG-AW	3-13
Module, 64 MB SDRAM (Qty. 2)	54-24829-DA	2-6, 3-6
Module, ACCELPRO 2500 TX 3D Graphics Adpt.	SN-PCXAG-AW	2-15
Module, Audio	54-24572-01	1-28
Module, Combo PCI/ISA Riser w/Ethernet	54-24769-01	1-14
Module, Front Panel Control Board	54-24526-03	1-12
Module, GL MLB, 433 MHz EV56	54-25222-01	1-37
Module, GL MLB, 500 MHz EV56	54-25222-02	1-38
Module, GL MLB, 600 MHz EV56	54-25222-03	1-39
Module, LAN 100 MHz	54-24560-01	1-32
Module, MLB 600 MHz	54-24767-03	1-33
Module, MLB w/Integrated EV5 CPU (500 MHz)	54-24767-02	1-11
Module, MLB, w/Integrated EV5 CPU (433 MHz)	54-24767-01	1-13
Module, PC164 Riser	54-25166-01	1-42
Module, Single Channel PCI to Ultra SCSI	KZPBA-CX	2-17, 3-15
PERSONAL WORKSTATION 433a PACKAGED SYS (N. AM.)	N/A	2-N/A
PERSONAL WORKSTATION 433a PACKD SYSTEMS (INT.)	N/A	3-N/A
Plate, Disk Drive	74-51719-01	1-30
Power Supply, 300W	30-47661-01	1-10
SBB, EV56 CPU, 128 MB ECC DIMM	SN-B3AAP-L1	2-G
SBB, EV56 CPU, 128 MB ECC DIMM	SN-B3AWW-L1	3-G
SBB, EV56 CPU, 32 MB ECC DIMM	SN-B3AWW-E1	3-A
SBB, EV56 CPU, 64 MB ECC DIMM	SN-B3AAP-F1	2-B

INDEX BY DIGITAL PART DESCRIPTION

Personal Workstation Series

DESCRIPTION	PART NUMBER	FIG.-ITEM NUMBER
SBB, EV56 CPU, 64 MB ECC DIMM	SN-B3AWW-F1	3-C
SBB, WNT, No Memory/HDD/GFX	SN-B3AAP-T1	2-H
SBB, WNT, WW, No Memory/HDD/GFX	SN-B3AAP-U1	2-K
SBB, WNT, WW, PKG. SYS, 64 MB, 2.1 GB	SN-B3AAP-WL	2-L
SBB, WNT, (433A) 64 MB, 2.1 GB (US)	SN-B3AAP-FL	2-C
Screw, Mach M3 Pan 4MM	90-10961-01	1-34
Screw, Sems Pan Hd 6-32 x 1/4	90-09984-28	1-21, 2-7, 3-7
Shield, Option Slot	74-51718-01	1-18
Speed Button, 433a	74-51176-38	2-22, 3-20
Support, Plastic, MLB Retainer	74-51880-01	1-19
Terminator, 68 Pos. Single Ended, SSI	12-45538-01	2-1
Terminator, 68 Position, Single End, SSI	12-45538-01	3-1
Wire Harness Assy, 3P + 4P Housing to 4P Housing	17-04278-02	1-24