

DIGITAL AlphaStation 500 Series

Illustrated Parts Breakdown

Order Number: EK-ALPH5-IP. C01

**Digital Equipment Corporation
Maynard, Massachusetts**

Digital Equipment Corporation reserves the right, without notice, to make substitutions and modifications in the specifications of products documented in this manual and further reserves the right to withdraw any of these products from the market without notice.

Digital Equipment Corporation is not responsible for errors which may appear in the technical description (including illustrations and photographs) of the products covered by this manual.

None of the descriptions contained in this manual imply the granting of any license whatsoever to make, use or sell equipment constructed in accordance therewith.

Restricted Rights: Use, duplication or disclosure by the U.S. Government is subject to restrictions as set forth in subparagraph (c) (1) (ii) of the Rights in Technical Data and Computer Software clause at DFARS 252.227-2713.

Copyright ©1996, 1998 by Digital Equipment Corporation. All rights reserved.
Printed in U.S.A.

The following are trademarks of Digital Equipment Corporation :
AlphaStation, DIGITAL, Open VMS, ThinWire, and the DIGITAL logo.

The following are third party trademarks:

IBM is a registered trademark of International Business Machines, Inc.

Microsoft and Windows NT are registered trademarks of Microsoft Corporation.

UNIX is a registered trademark in the United States and other countries, licensed exclusively through X/Open Company Ltd.

Reader's Comments

DIGITAL welcomes your comments on this manual.
You can send your comments to DIGITAL at the address below:

Digital Equipment Corporation
Servers Engineering and Technical Services
129 Parker Street
PKO3-1/20C
Maynard, MA 01754-2199

Please reference EK-ALPH5-IP. C01 in your correspondence.

ILLUSTRATED PARTS BREAKDOWN

DIGITAL AlphaStation 500 Series

ILLUSTRATED PARTS BREAKDOWN (IPB)

The IPB is used to identify a part and its location in a hardware product. The document references specific item numbers in the associated parts list.

HOW TO USE THE IPB

1. Locate the figure containing the item of interest.
2. Locate the number (callout) of the item of interest.
3. Locate that item number in the associated parts list.

FORMAT

Each IPB is generally organized based on its first figure. All other assemblies and subassemblies are referenced from this figure. Each figure contains numeric callouts of all major parts (items).

PARTS LIST

Each parts list contains the following:

Figure and Item No. - Lists the figure number and its referenced numeric callout

Description - Presents the name and a brief description of the item. A single asterisk (*) preceding the description denotes item is a

subassembly to its referenced figure. A double asterisk (**) preceding the description indicates that this item is subordinate to the preceding single asterisk item.

DIGITAL Part No. - Lists the DIGITAL/Vendor part number. The letter in the column heading indicates the current revision level of the Engineering Drawing for the referenced figure.

ECO Cut-In - Lists the top assembly drawing number and revision level at first printing. All additional revisions to an item are listed in this column.

Used On Code - Lists letters referring to the product variation assigned in Figure 1. When this column is blank, the item is used in all variations.

Ref Fig No. - Lists a cross reference between figures within the IPB.

PART NUMBER/PART DESCRIPTION INDEX SECTION

Lists items by part number numerically, and description alphabetically. Items are also referenced to a location within the IPB by figure and item number.

ECO/REVISION HISTORY

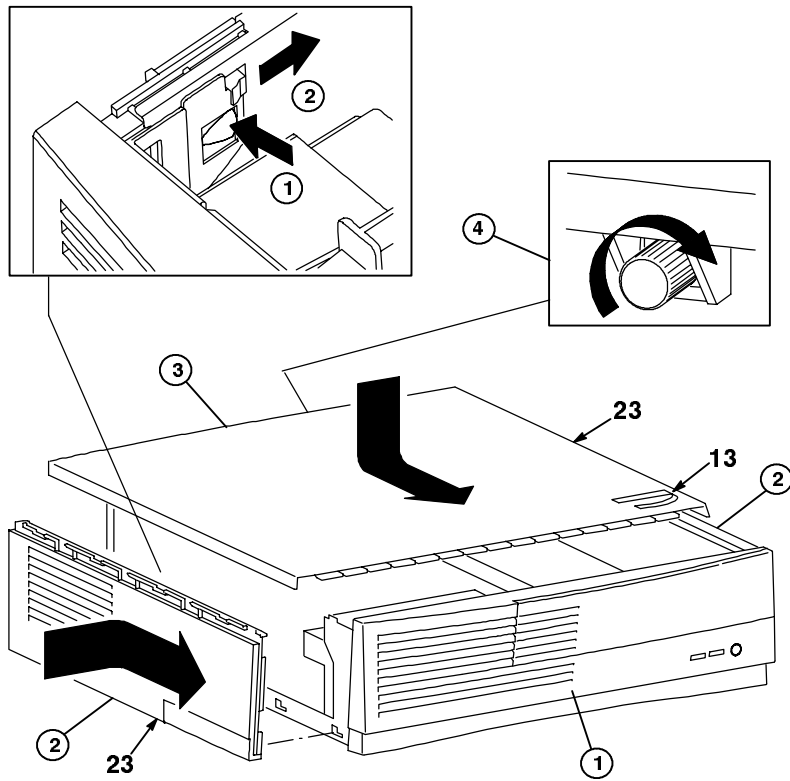
OTHER IPB MANUALS REFERENCED

FIGURE NO.	ASSEMBLY	INITIAL LEVEL	CURRENT LEVEL	PRINTING DATE	OTHER IPB MANUALS REFERENCED
1	PB540	00000	00007	June 1998	N/A
1	PB550	00000	00007		
1	PB560	00000	00007		
1	PB570	00006	00006		

INDICATES FRU LEVEL PARTS.

PARTS LIST

PROCEDURE TO REMOVE SIDE PANEL



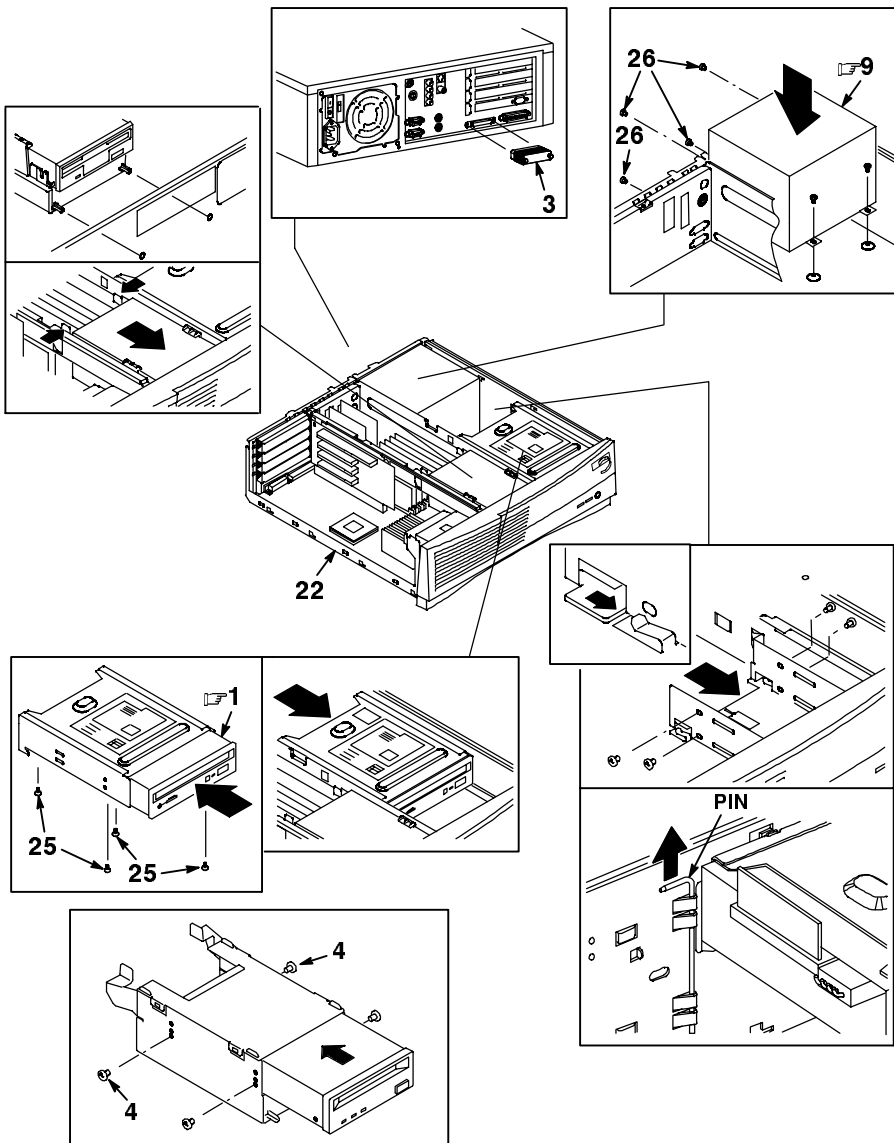
BUILD PROCEDURE	
①	Attach Front Bezel
②	Attach Side Panels
③	Attach Top Cover
④	Tighten Thumb Screw

IP-SNB3AA-01

Figure 1. Kernel Assembly (Sheet 1 of 8)

INDICATES FRU LEVEL PARTS.

PARTS LIST



IP-SNB3AA-02

Figure 1. Kernel Assembly (Sheet 2 of 8)

INDICATES FRU LEVEL PARTS.

PARTS LIST

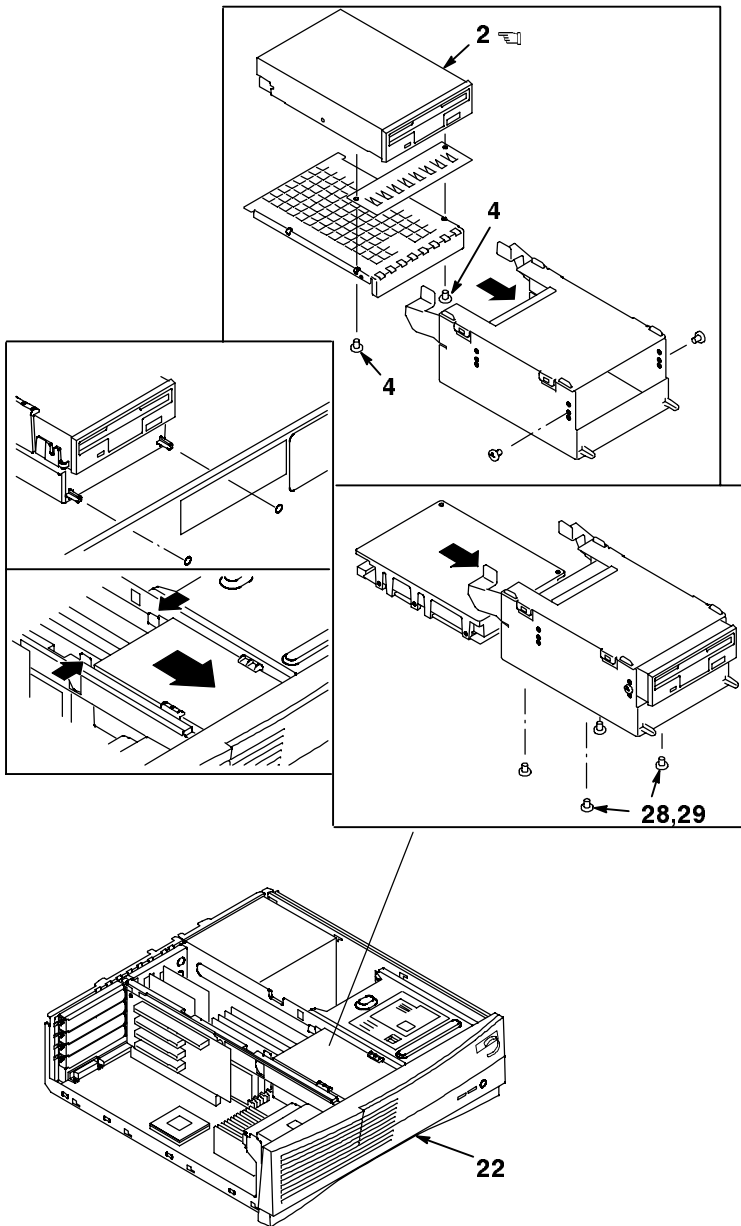
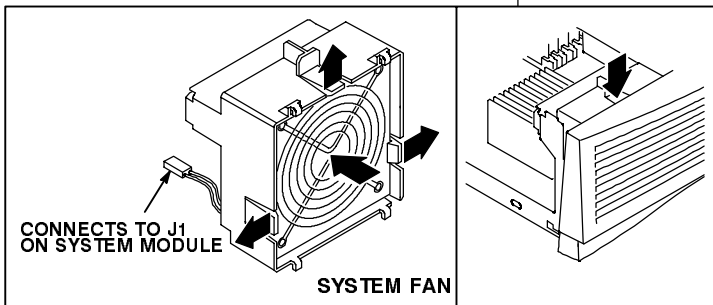
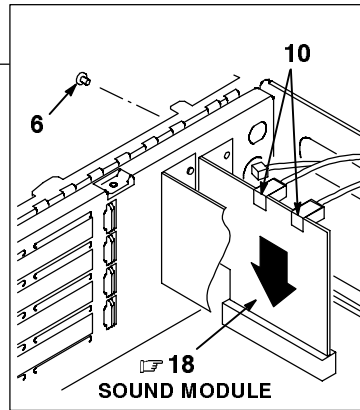
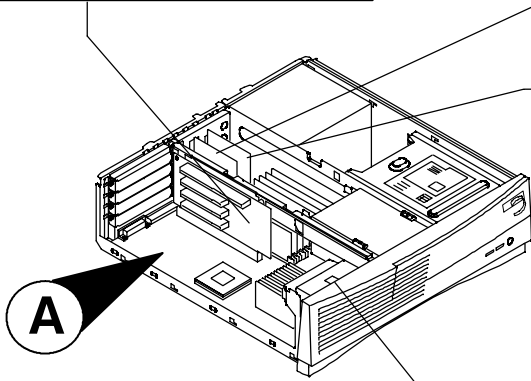
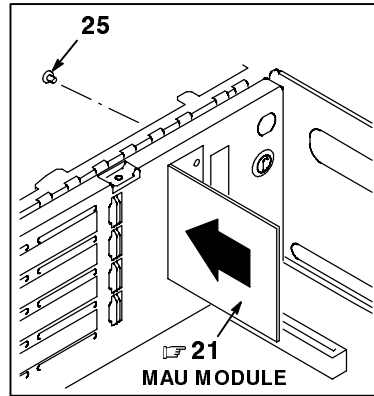
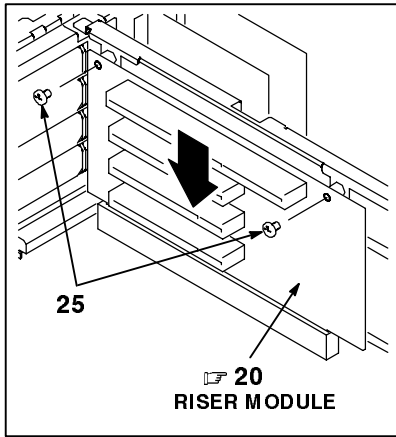


Figure 1. Kernel Assembly (Sheet 3 of 8)

IP-SNB3AA-03

INDICATES FRU LEVEL PARTS.

PARTS LIST

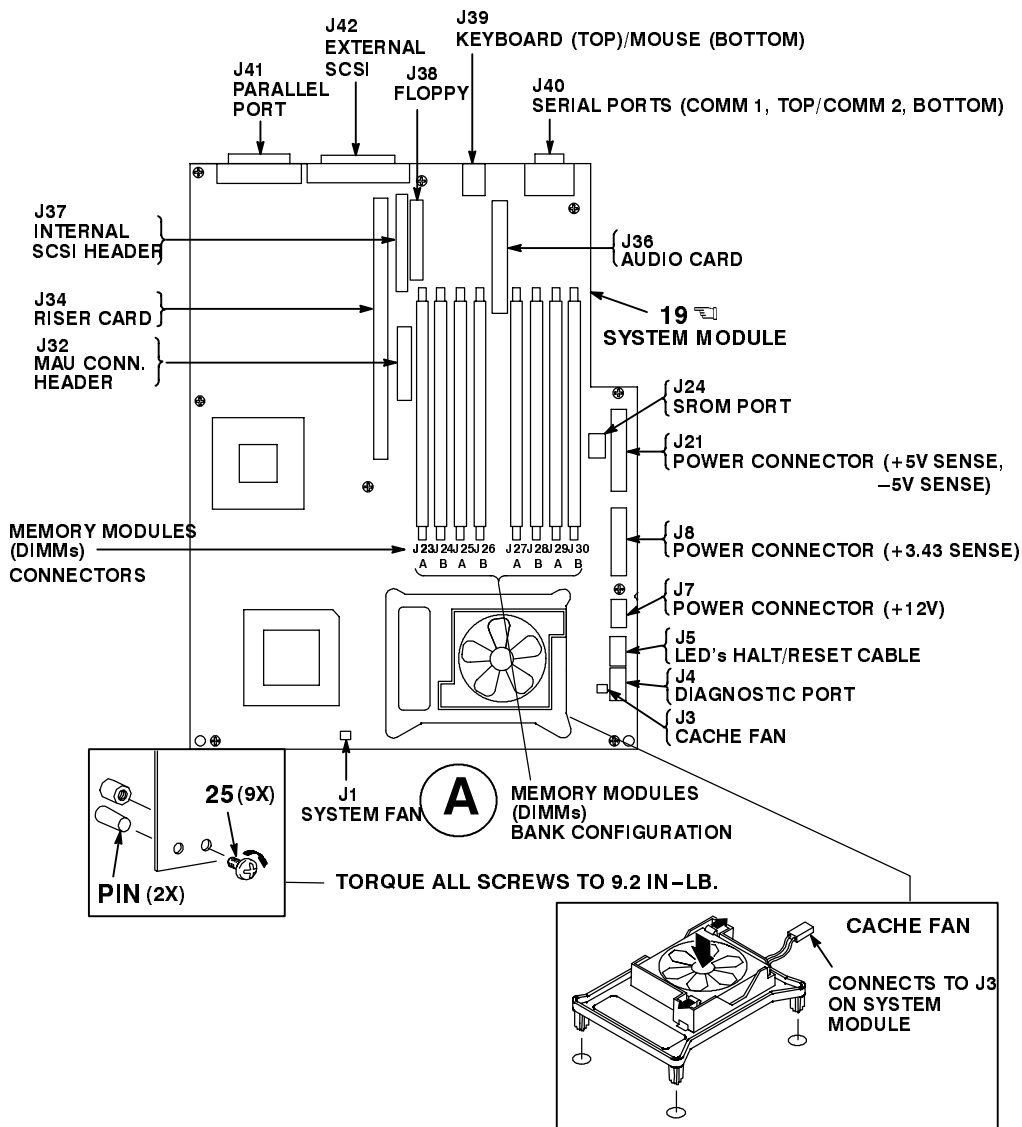


IP-SNB3AA-04

Figure 1. Kernel Assembly (Sheet 4 of 8)

INDICATES FRU LEVEL PARTS.

PARTS LIST

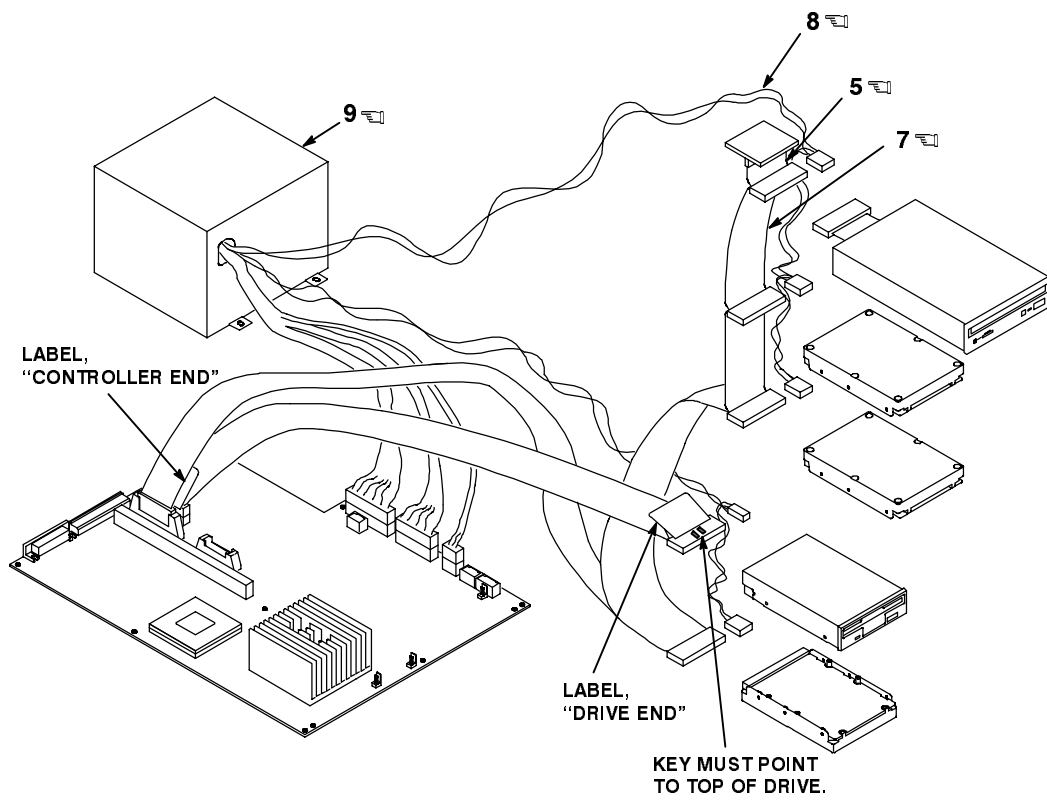


SNB3AA-05

Figure 1. Kernel Assembly (Sheet 5 of 8)

INDICATES FRU LEVEL PARTS.

PARTS LIST

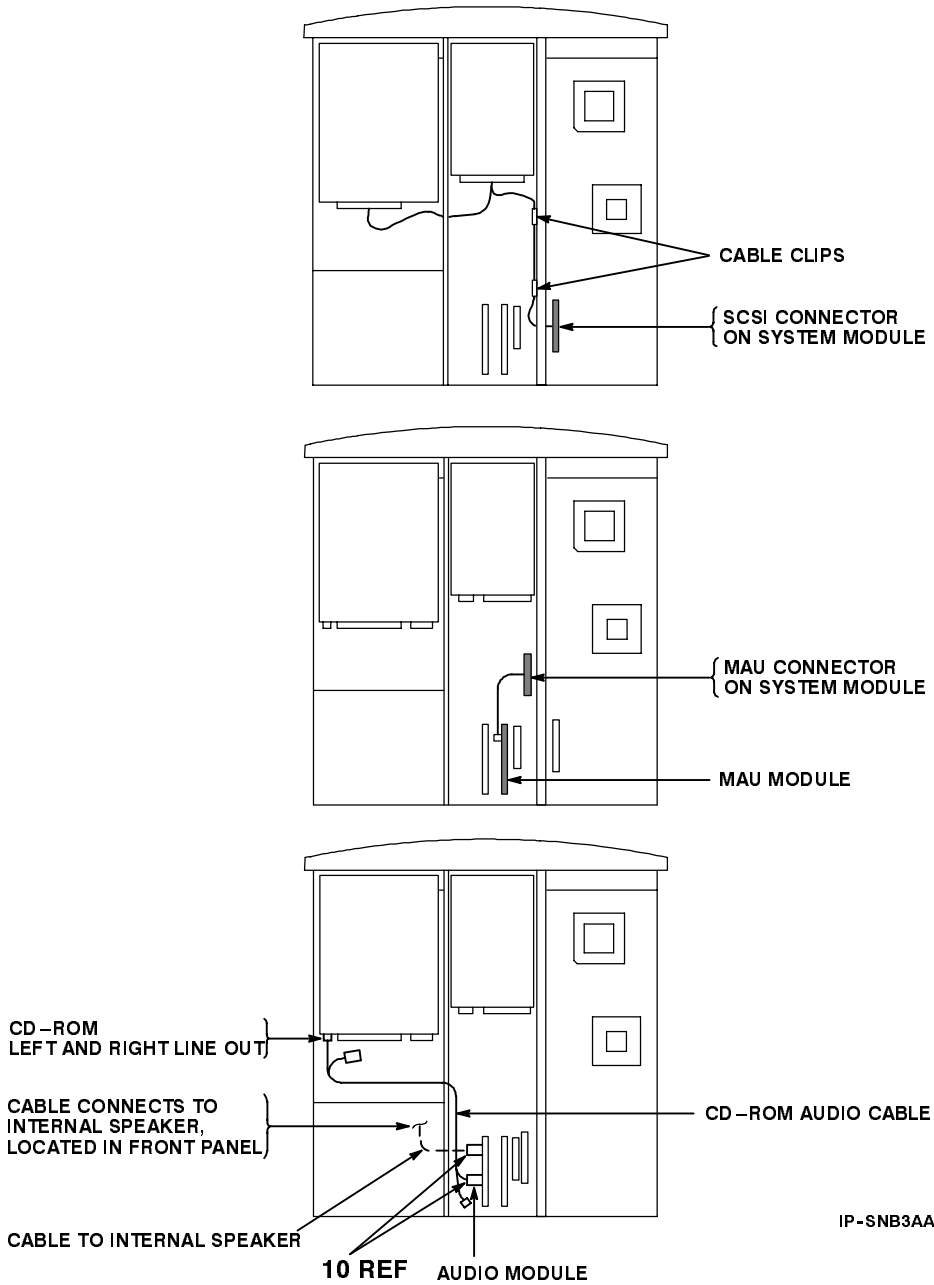


IP=SNB3AA-06

Figure 1. Kernel Assembly (Sheet 6 of 8)

INDICATES FRU LEVEL PARTS.

PARTS LIST

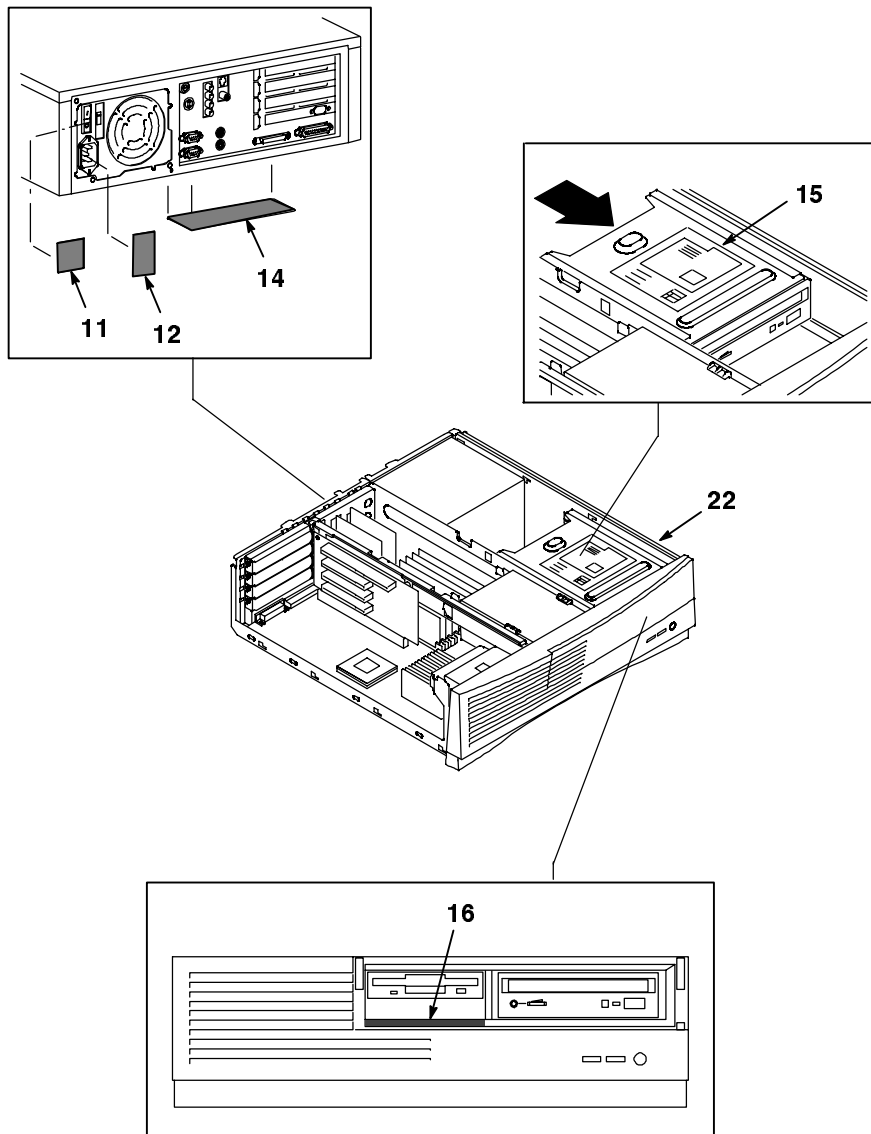


IP-SNB3AA-07

Figure 1. Kernel Assembly (Sheet 7 of 8)

INDICATES FRU LEVEL PARTS.

PARTS LIST



IP-SNB3AA-08

Figure 1. Kernel Assembly (Sheet 8 of 8)

FIG.& ITEM NO.	DESCRIPTION	DIGITAL PART NO.	ECO CUT-IN	USED ON CODE	REF FIG NO.
1-	AlphaStation 500/266 Kernel Assembly AlphaStation 500/333 Kernel Assembly AlphaStation 500/400 Kernel Assembly AlphaStation 500/500 Kernel Assembly	PB540-A9 PB550-A9 PB560-A9 PB570-A9		A B C D	
☞ 1	*CD-ROM (12X) (added) *CD-ROM (4X) (deleted)	RRD46-AB RRD45-AB	WBS006 WBS006		
☞ 2	*Floppy Disk Drive (3 1/2 Inch), 1.44 MB	RX23L-AB			
3	*Terminator, 68 Pos, SCSI	12-41768-01			
☞ 4	* Screw, Mach M3 Pan Hd 4MM	90-10961-01			
☞ 5	*Cable, Internal SCSI, 68 Pin to 50 Pin	17-04009-01			
☞ 6	* Screw, Sems 6-32 x 1/4 Pan Hd	90-09984-28			
☞ 7	*Cable, Flat Ribbon 30 AWG (deleted)	17-04245-01	WBS005		
☞ 8	*Wire Harness, 3 Cond., 28 AWG	17-04272-01			
☞ 9	*Power Supply, 320W, 88V-264V (added) *Power Supply, 320W, 88V-264V (deleted)	30-45491-03 30-45491-01	WBS004 WBS004		
10	*Tape, Kapton (1/2 Inch Wide)	36-14500-02			
11	*Label, "Warning Equipment Rating, 100-120V" *Label, "Warning Equipment Rating, 220-240V"	36-17905-16 36-17905-17			
12	*Label, "Attention Pre-Installed Software"	36-28979-01			
13	*Label, "Alpha Generation Logo"	36-43277-01			
14	*Label, "Regulatory, Model/Serial" (U.S.) *Label, "Regulatory, Model/Serial" (U.K.) *Label, "Regulatory, Model/Serial" (Singapore) *Label, "Regulatory, Model/Serial" (U.S.) *Label, "Regulatory, Model/Serial" (U.K.) *Label, "Regulatory, Model/Serial" (Singapore)	36-43336-15 36-43336-16 36-43336-20 36-43336-23 36-43336-24 36-43336-25		AB AB AB C C C	
15	*Label, "Customer Installation"	36-46493-02			
16	*Label, "AlphaStation 500/266" *Label, "AlphaStation 500/333" *Label, "AlphaStation 500/400"	36-46887-01 36-46887-03 36-46887-05		A B C	
17	*Label, deleted	36-46941-01	WBS002		
☞ 18	*Module, Sound (added) *Module, Sound (deleted)	54-23178-02 54-23178-01	WBS001 WBS001		
☞ 19	*Module, System, 266 MHz	54-24327-01		A	
☞	*Module, System, 333 MHz	54-24327-02		B	
☞	*Module, System, 400 MHz	54-24680-01		C	
☞ 20	*Module, Riser	54-24358-01			
☞ 21	*Module, Ethernet Media Adapter Unit (MAU)	54-24736-01			
22	*Chassis Assembly	70-32022-01			

FIG.& ITEM NO.	DESCRIPTION	DIGITAL PART NO.	ECO CUT-IN	USED ON CODE	REF FIG NO.
1-	AlphaStation 500 Kernel Assembly (continued)				
23	*Cover Assembly	70-32026-01			
24	*Screw, Mach Pan Hd No. 6-32 x 1/4 (added)	90-08020-01	WBS001		
	*Screw, Mach Pan Hd No. 6-32 x 3/16 (deleted)	90-08020-01	WBS001		
25	*Screw, Sems Pan Hd No. M3 x 6mm	90-09984-20			
26	*Screw, Sems Pan Hd No. M3.5 x 8mm	90-09984-29			
27	*Screw, (deleted) replace w/item 25	90-11187-01	WBS001		
28	*Screw, Sems Pan Hd No. 6-32 x 3/4	90-09984-00	WBS001		
29	*Nut, Kep 6-32 (added)	90-08185-00	WBS001		
	Accessories/Documentation (Not Shown)				
	*Harness, AS 500 Auxillary Power (added)	70-33555-01	WBS007		
	*Strap, Disposable Grounding Wrist	12-36175-01			
	*Microphone	30-43275-01			
	*Headset, Stereo	30-43276-01			
	*Mouse, 3 Button	30-46117-02			
	*Installation Guide, AlphaStation Series 500	EK-ALPH5-IN			
	*User Information Guide, AlphaStation 500	EK-ALPH5-UI			

PART NUMBER/DESCRIPTION INDEX



INDEX BY DIGITAL PART NUMBER

AlphaStation 500 Series

PART NUMBER	DESCRIPTION	FIG. -ITEM NUMBER
EK-ALPH5-IN	Guide, AlphaStation Series 500 Installation	1-N/S
EK-ALPH5-UI	Guide, AlphaStation 500 User Information	1-N/S
PB540-A9	AlphaStation 500/266 Kernel Assembly	1-N/A
PB550-A9	AlphaStation 500/333 Kernel Assembly	1-N/A
PB560-A9	AlphaStation 500/400 Kernel Assembly	1-N/A
PB570-A9	AlphaStation 500/500 Kernel Assembly	1-N/A
RRD46-AB	CD-ROM (12X) (added)	1-1
RRD45-AB	CD-ROM (4X) (deleted)	1-1
RX23L-AB	Floppy Disk Drive (3 1/2 Inch), 1.44 MB	1-2
12-36175-01	Strap, Disposable Grounding Wrist	1-N/S
12-41768-01	Terminator, 68 Pos, SCSI	1-3
17-04009-01	Cable, Internal SCSI, 68 Pin to 50 Pin	1-5
17-04245-01	Cable, Flat Ribbon 30 AWG (deleted)	1-7
17-04272-01	Wire Harness, 3 Cond., 28 AWG	1-8
30-43275-01	Microphone	1-N/S
30-43276-01	Headset, Stereo	1-N/S
30-46117-02	Mouse, 3 Button	1-N/S
30-45491-03	Power Supply, 320W, 88V-264V (added)	1-9
30-45491-01	Power Supply, 320W, 88V-264V (deleted)	1-9
36-14500-02	Tape, Kapton (1/2 Inch Wide)	1-10
36-17905-16	Label, "Warning Equipment Rating, 100-120V"	1-11
36-17905-17	Label, "Warning Equipment Rating, 220-240V"	1-11
36-28979-01	Label, "Attention Pre-Installed Software"	1-12
36-43277-01	Label, "Alpha Generation Logo"	1-13
36-43336-15	Label, "Regulatory, Model/Serial" (U.S.)	1-14
36-43336-16	Label, "Regulatory, Model/Serial" (U.K.)	1-14
36-43336-20	Label, "Regulatory, Model/Serial" (Singapore)	1-14
36-43336-23	Label, "Regulatory, Model/Serial" (U.S.)	1-14
36-43336-24	Label, "Regulatory, Model/Serial" (U.K.)	1-14
36-43336-25	Label, "Regulatory, Model/Serial" (Singapore)	1-14
36-46493-02	Label, "Customer Installation"	1-15
36-46887-01	Label, "AlphaStation 500/266"	1-16
36-46887-03	Label, "AlphaStation 500/333"	1-16
36-46887-05	Label, "AlphaStation 500/400"	1-16
36-46941-01	Label, deleted	2-17
54-23178-02	Module, Sound (added)	1-18
54-23178-01	Module, Sound (deleted)	1-18
54-24327-01	Module, System, 266 MHz	1-19
54-24327-02	Module, System, 333 MHz	1-19
54-24680-01	Module, System, 400 MHz	1-19
54-24358-01	Module, Riser	1-20
54-24736-01	Module, Ethernet Media Adapter Unit (MAU)	1-21
70-32022-01	Chassis Assembly	1-22
70-32026-01	Cover Assembly	1-23
70-33555-01	Harness, AS 500 Aux. Power (added)	1-30

INDEX BY DIGITAL PART NUMBER
AlphaStation 500 Series

PART NUMBER	DESCRIPTION	FIG.-ITEM NUMBER
90-08020-01	Screw, Mach Pan Hd No. 6-32 x 1/4 (added)	1-24
90-08020-01	Screw, Mach Pan Hd No. 6-32 x 3/16 (deleted)	1-24
90-08185-00	Nut, Kep 6-32 (added)	1-29
90-09984-00	Screw, Sems 6-32 Pan x 3/4	1-28
90-09984-20	Screw, Sems Pan Hd No. M3 x 6mm	1-25
90-09984-28	Screw, Sems Pan Hd No. 6-32 x 1/4	1-6
90-09984-29	Screw, Sems Pan Hd No. M3.5 x 8mm	1-26
90-10961-01	Screw, Mach M3 Pan Hd 4MM	1-4
90-11187-01	Screw, (deleted) replace w/item 25	1-27

INDEX BY DIGITAL PART DESCRIPTION
AlphaStation 500 Series

DESCRIPTION	PART NUMBER	FIG.-ITEM NUMBER
AlphaStation 500/266 Kernel Assembly	PB540-A9	1-N/A
AlphaStation 500/333 Kernel Assembly	PB550-A9	1-N/A
AlphaStation 500/400 Kernel Assembly	PB560-A9	1-N/A
AlphaStation 500/500 Kernel Assembly	PB570-A9	1-N/A
Cable, Flat Ribbon 30 AWG (deleted)	17-04245-01	1-7
Cable, Internal SCSI, 68-Pin to 50-Pin	17-04009-01	1-5
CD-ROM (12X) (added)	RRD46-AB	1-1
CD-ROM (4X) (deleted)	RRD45-AB	1-1
Chassis Assembly	70-32022-01	1-22
Cover Assembly	70-32026-01	1-23
Floppy Disk Drive (3 1/2 Inch), 1.44 MB	RX23L-AB	1-2
Guide, AlphaStation Series 500 Installation	EK-ALPH5-IN	1-N/S
Guide, AlphaStation Series 500 User Information	EK-ALPH5-UI	1-N/S
Harness, AS 500 Aux. Power (added)	70-33555-01	1-30
Headset, Stereo	30-43276-01	1-N/S
Label, "Alpha Generation Logo"	36-43277-01	1-13
Label, "AlphaStation 500/266"	36-46887-01	1-16
Label, "AlphaStation 500/333"	36-46887-03	1-16
Label, "AlphaStation 500/400"	36-46887-05	1-16
Label, "Attention Pre-Installed Software"	36-28979-01	1-12
Label, "Customer Installation"	36-46493-02	1-15
Label, "Regulatory, Model/Serial" (Singapore)	36-43336-20	1-14
Label, "Regulatory, Model/Serial" (Singapore)	36-43336-25	1-14
Label, "Regulatory, Model/Serial" (U.K.)	36-43336-16	1-14
Label, "Regulatory, Model/Serial" (U.K.)	36-43336-24	1-14
Label, "Regulatory, Model/Serial" (U.S.)	36-43336-15	1-14
Label, "Regulatory, Model/Serial" (U.S.)	36-43336-23	1-14
Label, "Warning Equipment Rating, 100-120V"	36-17905-16	1-11
Label, "Warning Equipment Rating, 220-240V"	36-17905-17	1-11
Microphone	30-43275-01	1-N/S
Module, Ethernet Media Adapter Unit (MAU)	54-24736-01	1-21
Module, Sound (added)	54-23178-02	1-18
Module, Sound (deleted)	54-23178-01	1-18
Module, System, 266 MHz	54-24327-01	1-19
Module, System, 333 MHz	54-24327-02	1-19
Module, System, 400 MHz	54-24680-01	1-19
Module, Riser	54-24358-01	1-20
Mouse, 3 Button	30-46117-02	1-N/S
Nut, Kep 6-32 (added)	90-08185-00	1-29
Power Supply, 320W, 88V-264V (added)	30-45491-03	1-9
Power Supply, 320W, 88V-264V (deleted)	30-45491-01	1-9
Screw, (deleted) replace w/item 25	90-11187-01	1-27
Screw, Mach M3 Pan Hd 4MM	90-10961-01	1-4
Screw, Mach Pan Hd No. 6-32 x 1/4 (added)	90-08020-01	1-24
Screw, Mach Pan Hd No. 6-32 x 3/16 (deleted)	90-08020-01	1-24

INDEX BY DIGITAL PART DESCRIPTION

AlphaStation 500 Series

DESCRIPTION	PART NUMBER	FIG.-ITEM NUMBER
Screw, Sems Pan Hd No. 6-32 x 1/4	90-09984-28	1-6
Screw, Sems Pan Hd No. M3 x 6mm	90-09984-20	1-25
Screw, Sems Pan Hd No. M3.5 x 8mm	90-09984-29	1-26
Screw, Sems 6-32 Pan x 3/4	90-09984-00	1-28
Strap, Disposable Grounding Wrist	12-36175-01	1-N/S
Tape, Kapton (1/2 Inch Wide)	36-14500-02	1-10
Terminator, 68 Pos, SCSI	12-41768-01	1-3
Wire Harness, 3 Cond., 28 AWG	17-04272-01	1-8