



AlphaStation 600 5/266

Illustrated Parts Breakdown

Order Number: EK-AS800-IP. A01

Digital Equipment Corporation
Maynard, Massachusetts



Digital Equipment Corporation reserves the right, without notice, to make substitutions and modifications in the specifications of products documented in this manual and further reserves the right to withdraw any of these products from the market without notice.

Digital Equipment Corporation is not responsible for errors which may appear in the technical description (including illustrations and photographs) of the products covered by this manual.

None of the descriptions contained in this manual imply the granting of any license whatsoever to make, use or sell equipment constructed in accordance therewith.

Restricted Rights: Use, duplication or disclosure by the U.S. Government is subject to restrictions as set forth in subparagraph (c) (1) (ii) of the Rights in Technical Data and Computer Software clause at DFARS 252.227-2713.

Copyright © 1995 by Digital Equipment Corporation. All rights reserved.
Printed in U.S.A.

The postage-paid READER'S COMMENTS form on the last page of this document requests your critical evaluation to assist us in preparing future documentation.

The following are trademarks of Digital Equipment Corporation :

AlphaStation, DECdirect, and the DIGITAL logo.

**ILLUSTRATED
PARTS
BREAKDOWN**

AlphaStation 600 5/266

ILLUSTRATED PARTS BREAKDOWN (IPB)

The IPB is used to identify a part and its location in a hardware product. The document references specific item numbers in the associated parts list.

HOW TO USE THE IPB

1. Locate the figure containing the item of interest.
2. Locate the number (callout) of the item of interest.
3. Locate that item number in the associated parts list.

FORMAT

Each IPB is generally organized based on its first figure. All other assemblies and subassemblies are referenced from this figure. Each figure contains numeric callouts of all major parts (items).

PARTS LIST

Each parts list contains the following:

Figure and Item No. – Lists the figure number and its referenced numeric callout

Description – Presents the name and a brief description of the item. A single asterisk (*) preceding the description denotes item is a

subassembly to its referenced figure. A double asterisk (**) preceding the description indicates that this item is subordinate to the preceding single asterisk item.

Digital Part No. – Lists the Digital/Vendor part number. The letter in the column heading indicates the current revision level of the Engineering Drawing for the referenced figure.

ECO Cut-In – Lists the top assembly drawing number and revision level at first printing. All additional revisions to an item are listed in this column.

Used On Code – Lists letters referring to the product variation assigned in Figure 1. When this column is blank, the item is used in all variations.

Ref Fig No. – Lists a cross reference between figures within the IPB.

PART NUMBER/PART DESCRIPTION INDEX SECTION

Lists items by part number numerically, and description alphabetically. Items are also referenced to a location within the IPB by figure and item number.

ECO/REVISION HISTORY

**OTHER IPB
MANUALS
REFERENCED**

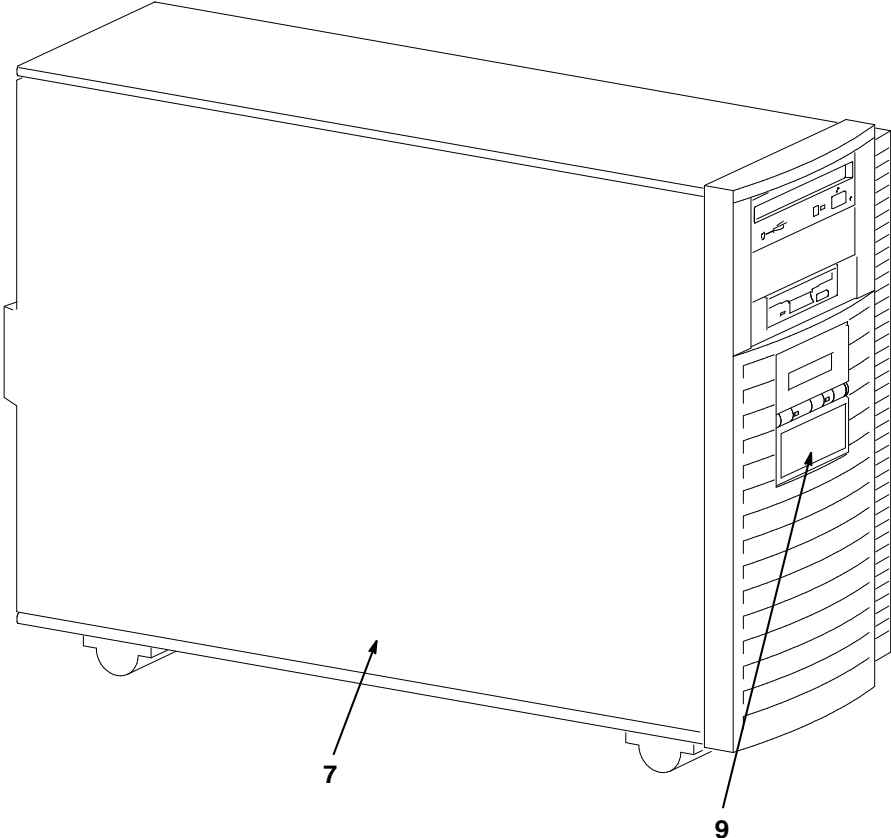
FIGURE NO.	ASSEMBLY	INITIAL LEVEL	CURRENT LEVEL	PRINTING DATE	OTHER IPB MANUALS REFERENCED
1	PB620	00000	00000	12-JUN-95	N/A

L



  INDICATES FRU LEVEL PARTS.

PARTS LIST 



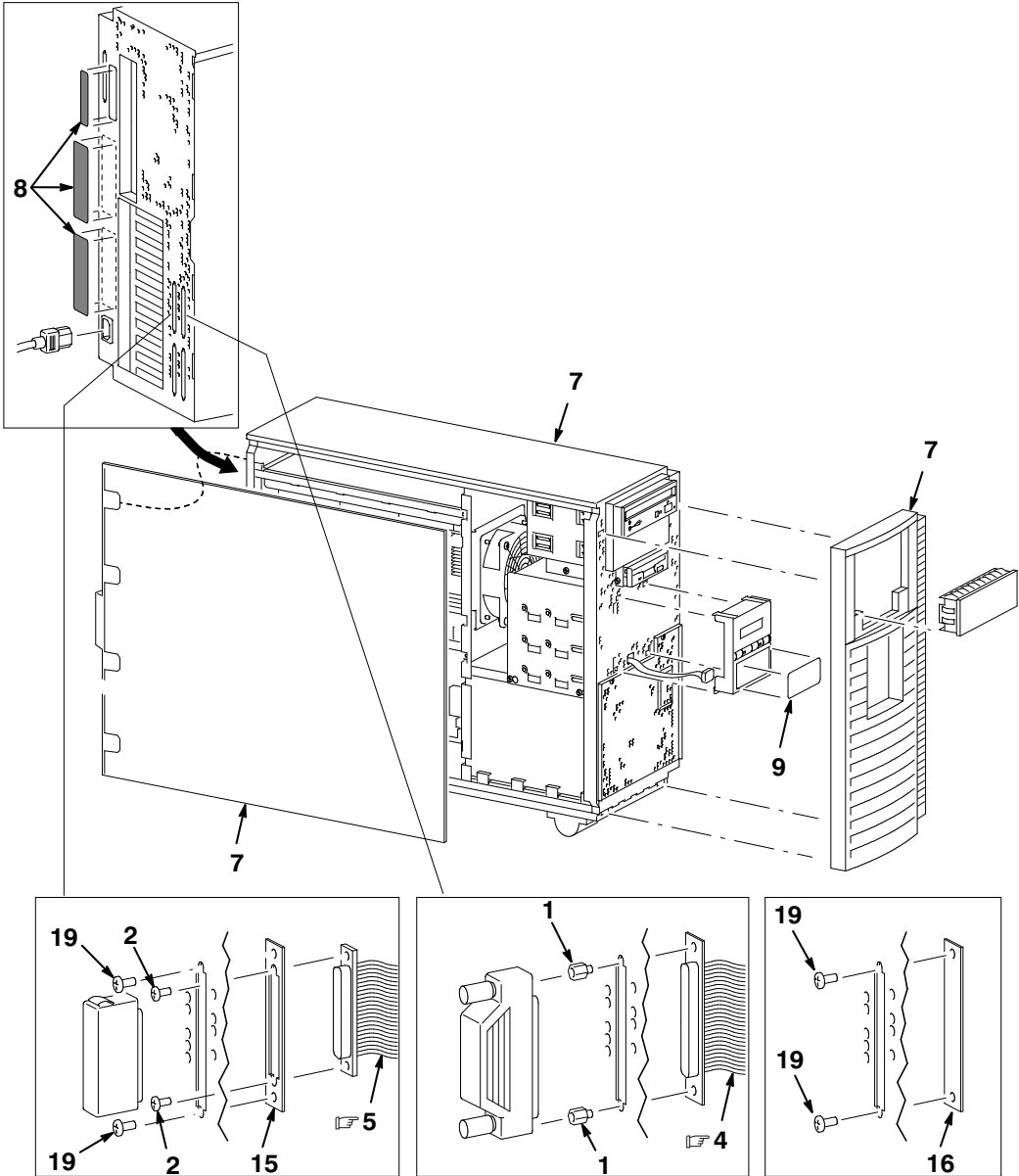
AS800-01-IL

Figure 1. AlphaStation 600 5/266 Kernel Assembly (Sheet 1 of 6)



PARTS LIST 

 INDICATES FRU LEVEL PARTS.



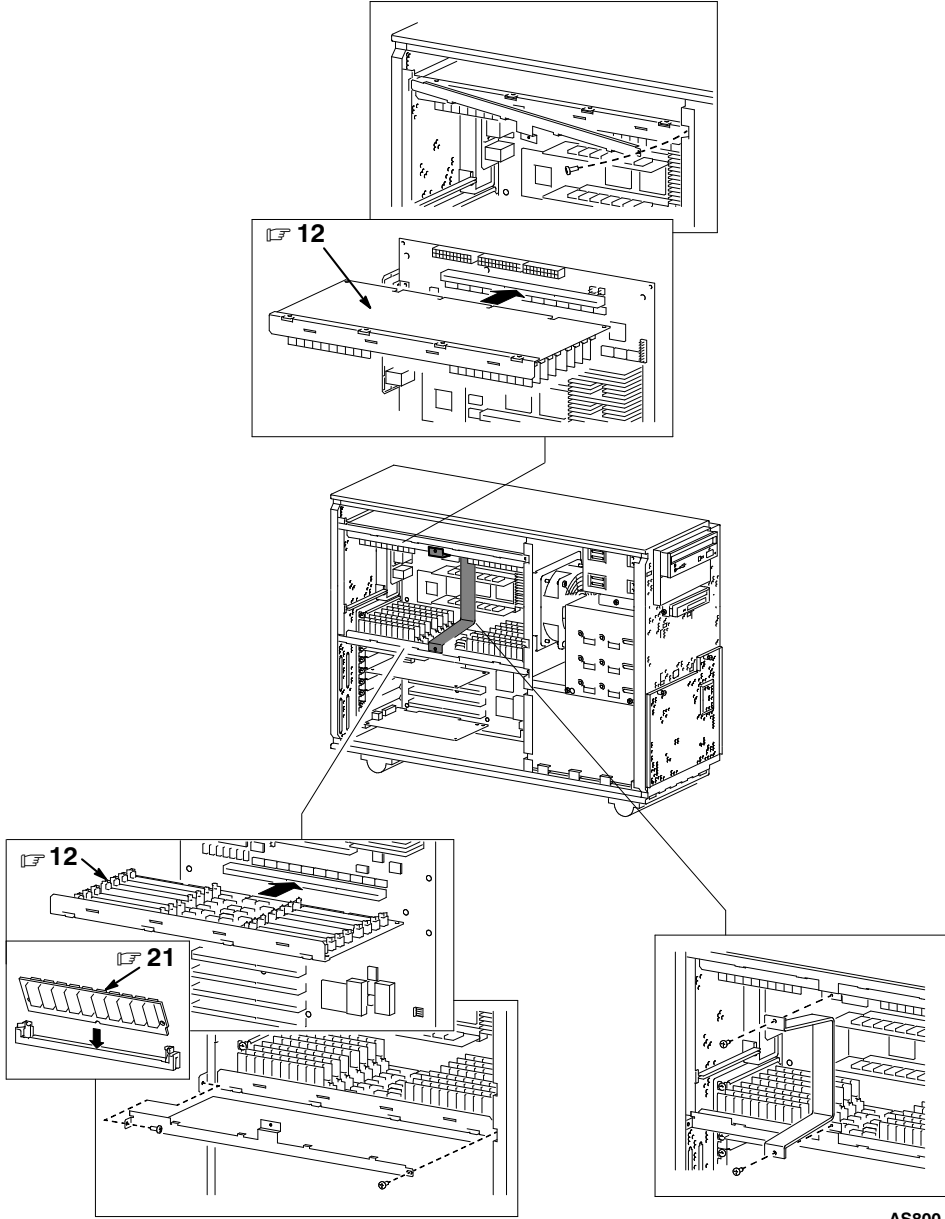
AS800-01A-IL

Figure 1. AlphaStation 600 5/266 Kernel Assembly (Sheet 2 of 6)



PARTS LIST 

  INDICATES FRU LEVEL PARTS.



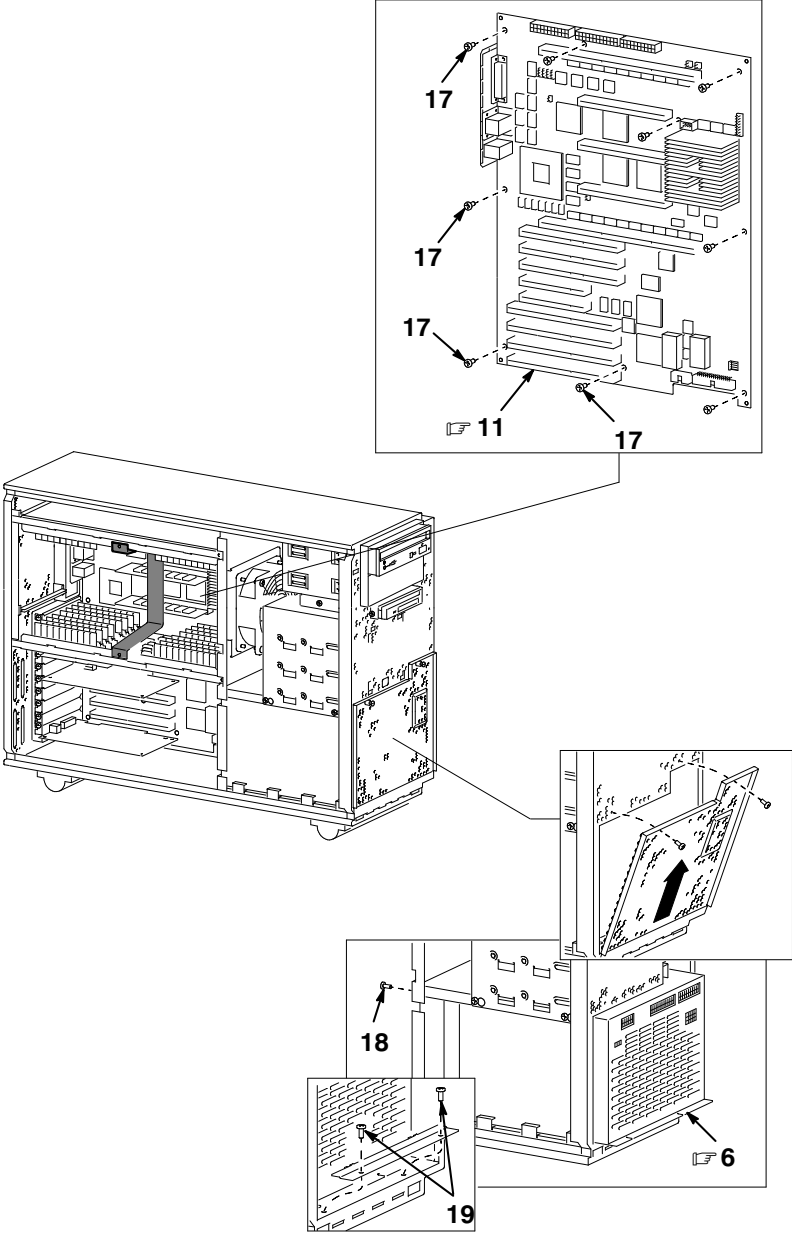
AS800-01B-IL

Figure 1. AlphaStation 600 5/266 Kernel Assembly (Sheet 3 of 6)



PARTS LIST 

  INDICATES FRU LEVEL PARTS.



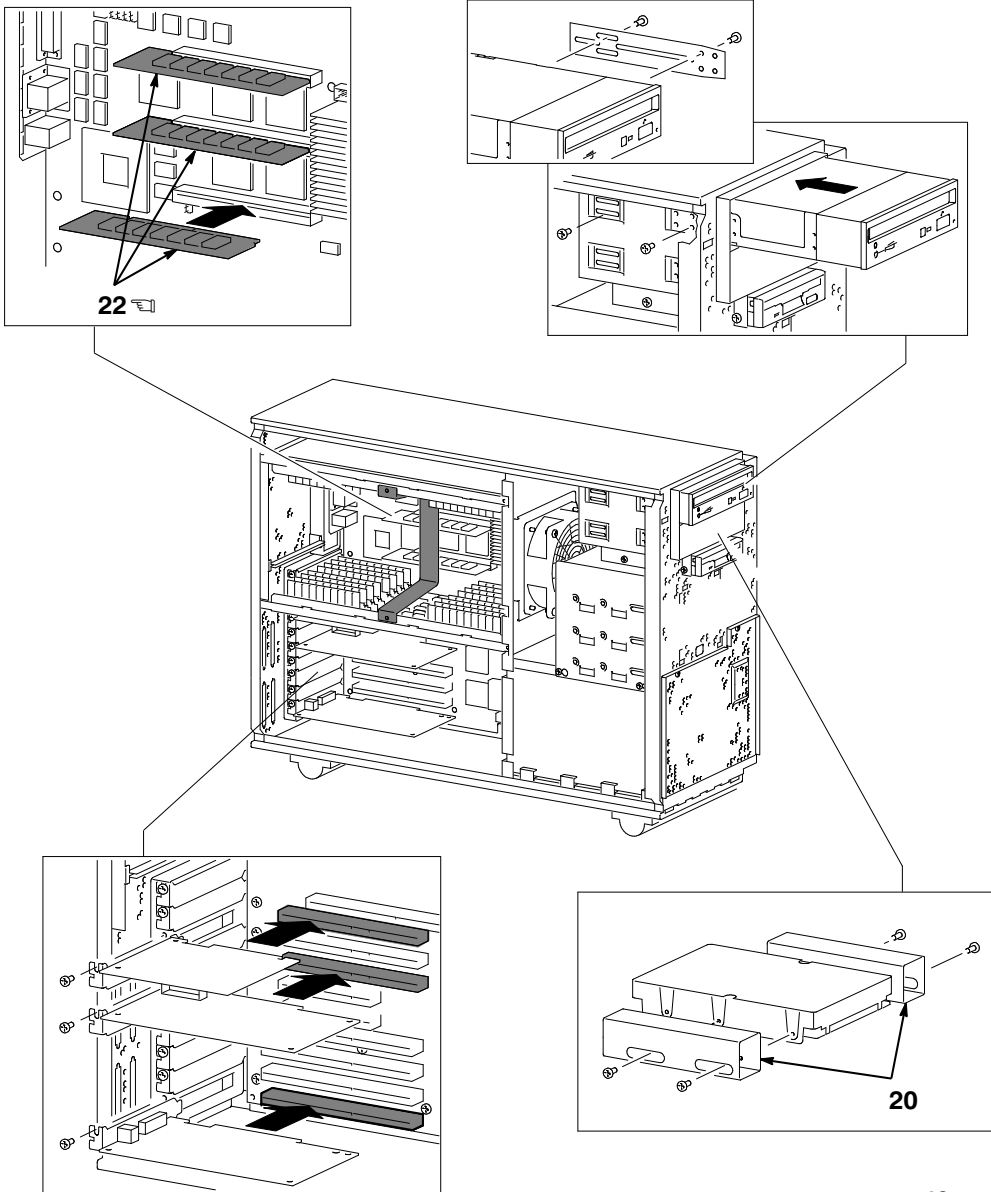
AS800-01C-IL

Figure 1. AlphaStation 600 5/266 Kernel Assembly (Sheet 4 of 6)



 INDICATES FRU LEVEL PARTS.

PARTS LIST 



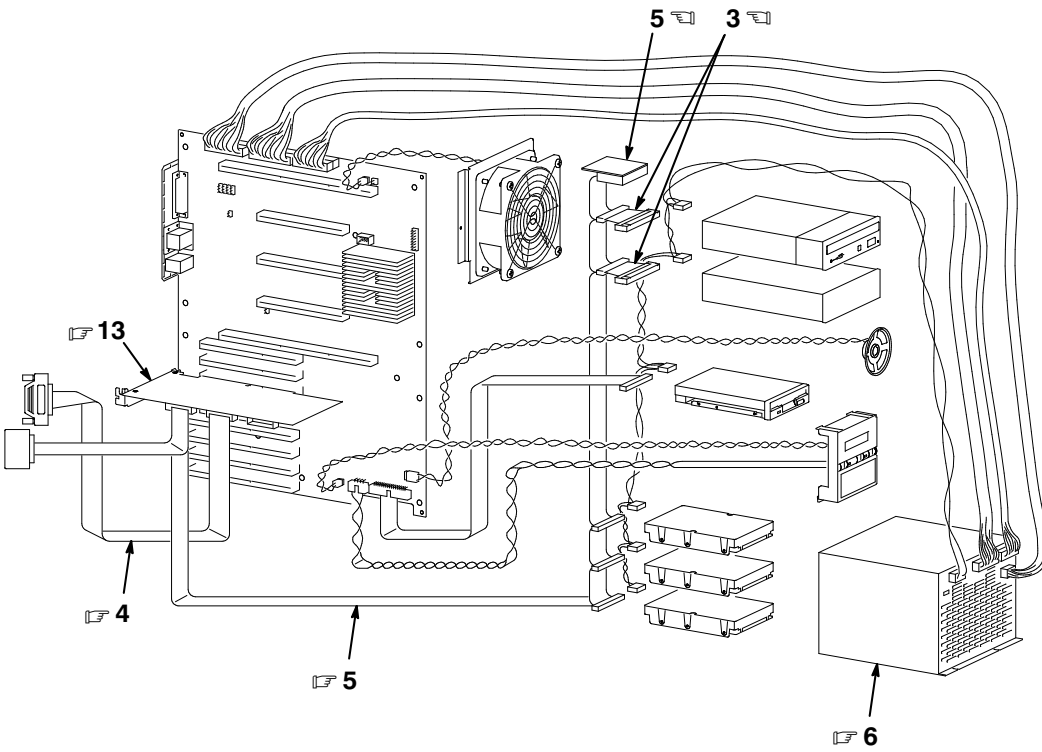
AS800-01D-IL

Figure 1. AlphaStation 600 5/266 Kernel Assembly (Sheet 5 of 6)



  INDICATES FRU LEVEL PARTS.

PARTS LIST 



AS800-01E-IL

Figure 1. AlphaStation 600 5/266 Kernel Assembly (Sheet 6 of 6)



FIG. & ITEM NO.	DESCRIPTION	DIGITAL PART NO. ^A	ECO CUT-IN PB620 0000	USED ON CODE	REF FIG NO.
1-	AlphaStation 600 5/266 Kernel Assembly	PB620-A9			
1	*Screw, Jack, Hex Hd No. 4-40 x 3/8	12-39545-01			
2	*Screw, Mach Pan Hd No. 4-40 x 1/4	12-41427-01			
3	*Cable Assembly, Internal SCSI, 68 Pin to 50 Pin	17-04009-01			
4	*Cable Assembly, Flat 68 Cond, 28 AWG, 12 Inch	17-04020-01			
5	*Cable Assembly, Flat 68 Cond, 30 AWG, 60 Inch	17-04077-01			
6	*Power Supply, 400W	30-41976-01			
7	*Tower, Enclosure	30-43503-01			
8	*Label, "Regulatory, Model/Serial Number"	36-44492-03			
9	*Label, "AlphaStation 600 5/266"	36-44583-03			
10	*Package Assembly (Not Shown)	37-01559-01			
11	*Module, System, 267 MHz	54-23242-02			
12	*Module, Memory	54-23244-01			
13	*Module, PCI Adapter	54-24101-01			
14	*Kit, Accessory (Not Shown)	70-32253-01			
15	*Adapter, Patch	74-48804-01			
16	*Cover, Wide SCSI	74-48804-02			
17	*Screw, Sems M3 Pan Hd, 6 mm	90-09984-20			
18	*Screw, Sems M3.5 Pan Hd, 8 mm	90-09984-29			
19	*Screw, Mach M3 Pan Hd, 4 mm	90-10961-01			
20	*Bracket, Drive Expansion, 3.5 Inch to 5.25 Inch	74-44337-01			
21	*Memory, DRAM SIMMS	MSP01-XX			
22	*Memory, CACHE SIMMS	MSP01-XX			

L