

# ILLUSTRATED PARTS BREAKDOWN

# DEC 4000 ENCLOSURES

**ILLUSTRATED PARTS BREAKDOWN (IPB)**

The IPB is used to identify a part and its location in a hardware product. The document references specific item numbers in the associated parts list.

**HOW TO USE THE IPB**

1. Locate the figure containing the item of interest.
2. Locate the number (callout) of the item of interest.
3. Locate that item number in the associated parts list.

**FORMAT**

Each IPB is generally organized based on its first figure. All other assemblies and subassemblies are referenced from this figure. Each figure contains numeric callouts of all major parts (items).

**PARTS LIST**

Each parts list contains the following:

**Figure and Item No.** – Lists the figure number and its referenced numeric callout

**Description** – Presents the name and a brief description of the item. A single asterisk (\*) preceding the description denotes item is a

subassembly to its referenced figure. A double asterisk (\*\*) preceding the description indicates that this item is subordinate to the preceding single asterisk item.

**DEC Part No.** – Lists the Digital/Vendor part number. The letter in the column heading indicates the current revision level of the Engineering Drawing for the referenced figure.

**ECO Cut-In** – Lists the top assembly drawing number and revision level at first printing. All additional revisions to an item are listed in this column.

**Used On Code** – Lists letters referring to the product variation assigned in Figure 1. When this column is blank, the item is used in all variations.

**Ref Fig No.** – Lists a cross reference between figures within the IPB.

**PART NUMBER/PART DESCRIPTION INDEX SECTION**

Lists items by part number numerically, and description alphabetically. Items are also referenced to a location within the IPB by figure and item number.

**ECO/REVISION HISTORY**

**OTHER IPB  
MANUALS  
REFERENCED**

FIGURE NO.	ASSEMBLY	INITIAL LEVEL	CURRENT LEVEL	PRINTING DATE	OTHER IPB MANUALS REFERENCED
1	BA640	00000	00000	23-NOV-92	EK-MS430-IP
2	70-28744	00000	00000		
3	70-28745	00000	00000		
4	70-28746	00000	00000		
5	70-28747	00000	00000		
6	70-28748	00000	00000		
7	70-28762	00000	00000		
8	70-28764	00000	00000		
9	70-28763	00000	00000		
10	70-28749	00000	00000		

Digital Equipment Corporation reserves the right, without notice, to make substitutions and modifications in the specifications of products documented in this manual and further reserves the right to withdraw any of these products from the market without notice.

Digital Equipment Corporation is not responsible for errors which may appear in the technical description (including illustrations and photographs) of the products covered by this manual.

None of the descriptions contained in this manual imply the granting of any license whatsoever to make, use or sell equipment constructed in accordance therewith.

Restricted Rights: Use, duplication or disclosure by the U.S. Government is subject to restrictions as set forth in subparagraph (c) (1) (ii) of the Rights in Technical Data and Computer Software clause at DFARS 252.227-2713.

Copyright © 1992 by Digital Equipment Corporation. All rights reserved.  
Printed in U.S.A.

The postage-paid READER'S COMMENTS form on the last page of this document requests your critical evaluation to assist us in preparing future documentation.

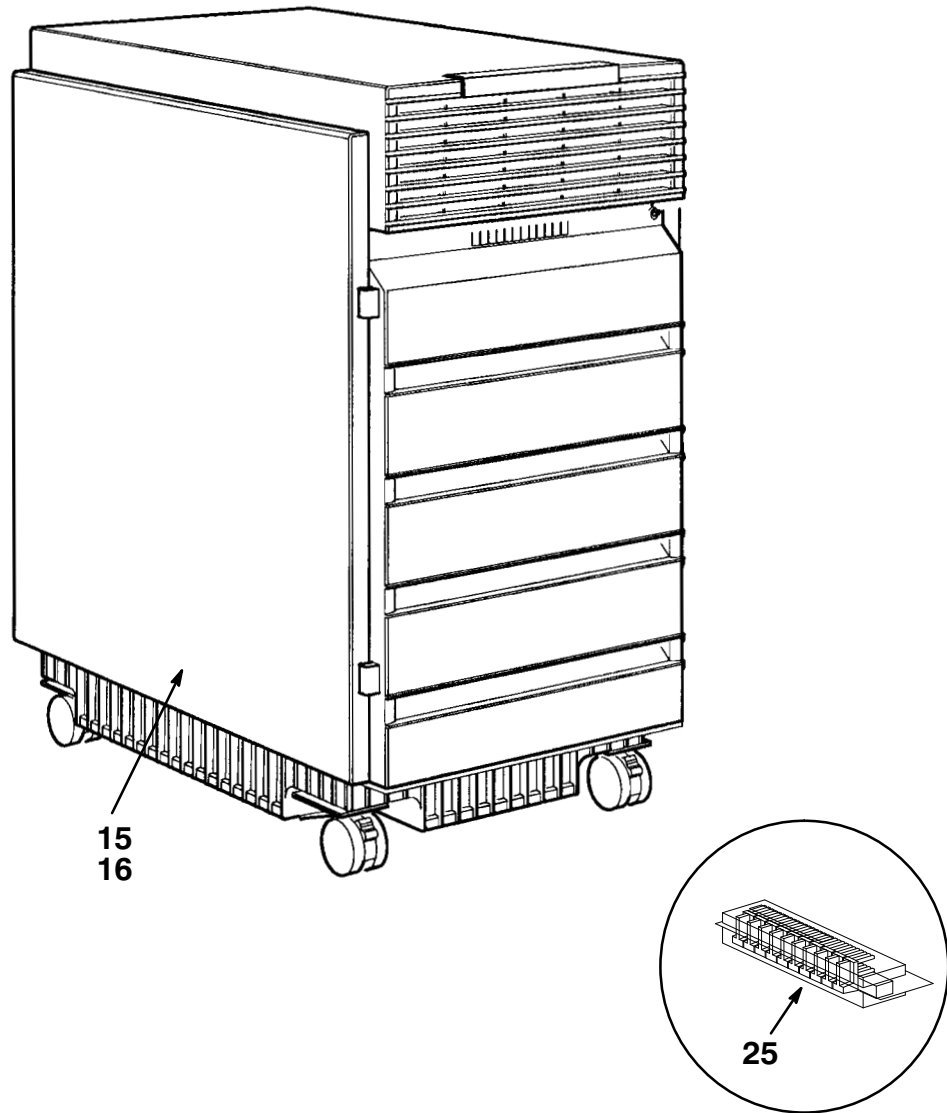
The following are trademarks of Digital Equipment Corporation :

---

DECdirect, DEC 4000 AXP, and the DIGITAL logo.

INDICATES FRU LEVEL PARTS.

PARTS LIST

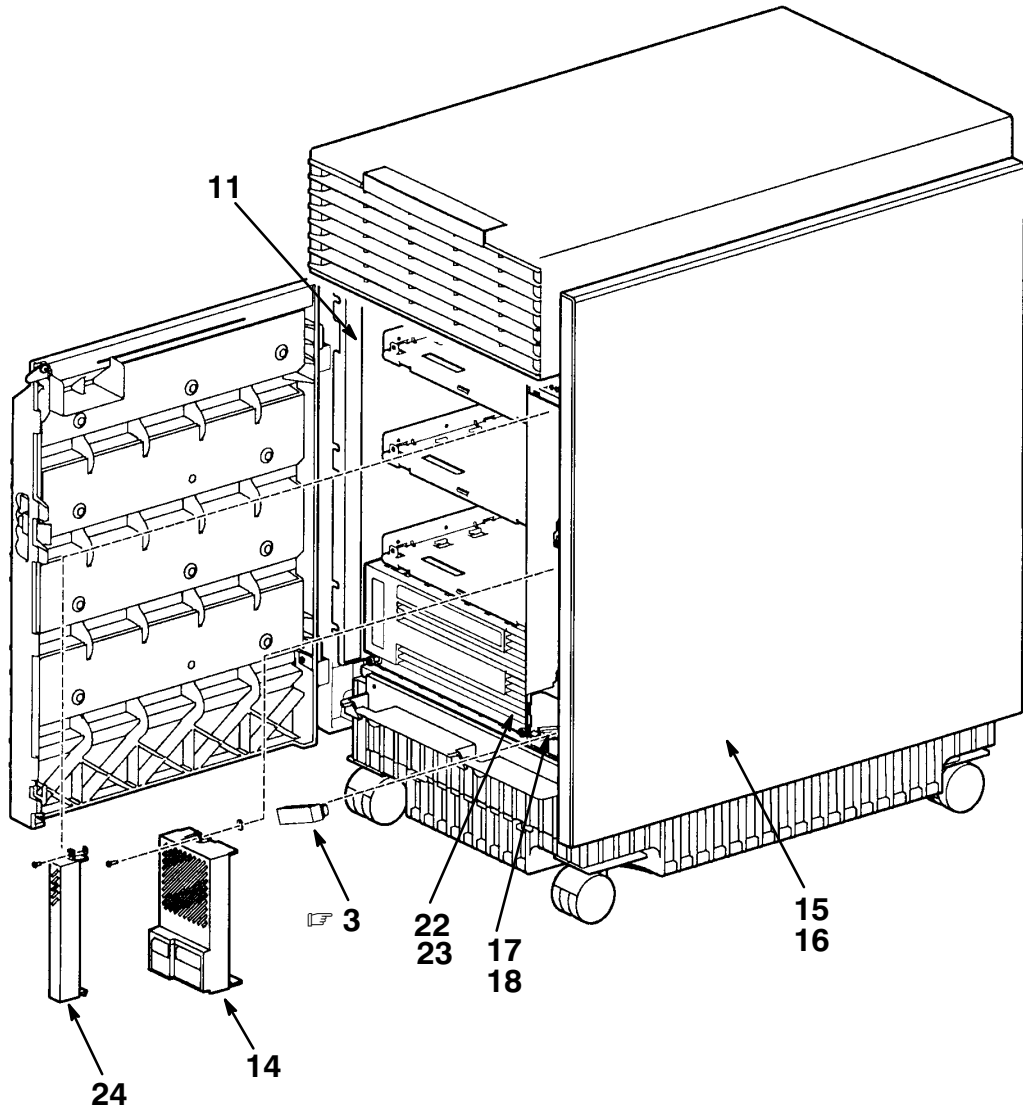


BA640-01-SC

Figure 1. BA640 Enclosure Assembly (Sheet 1 of 3)

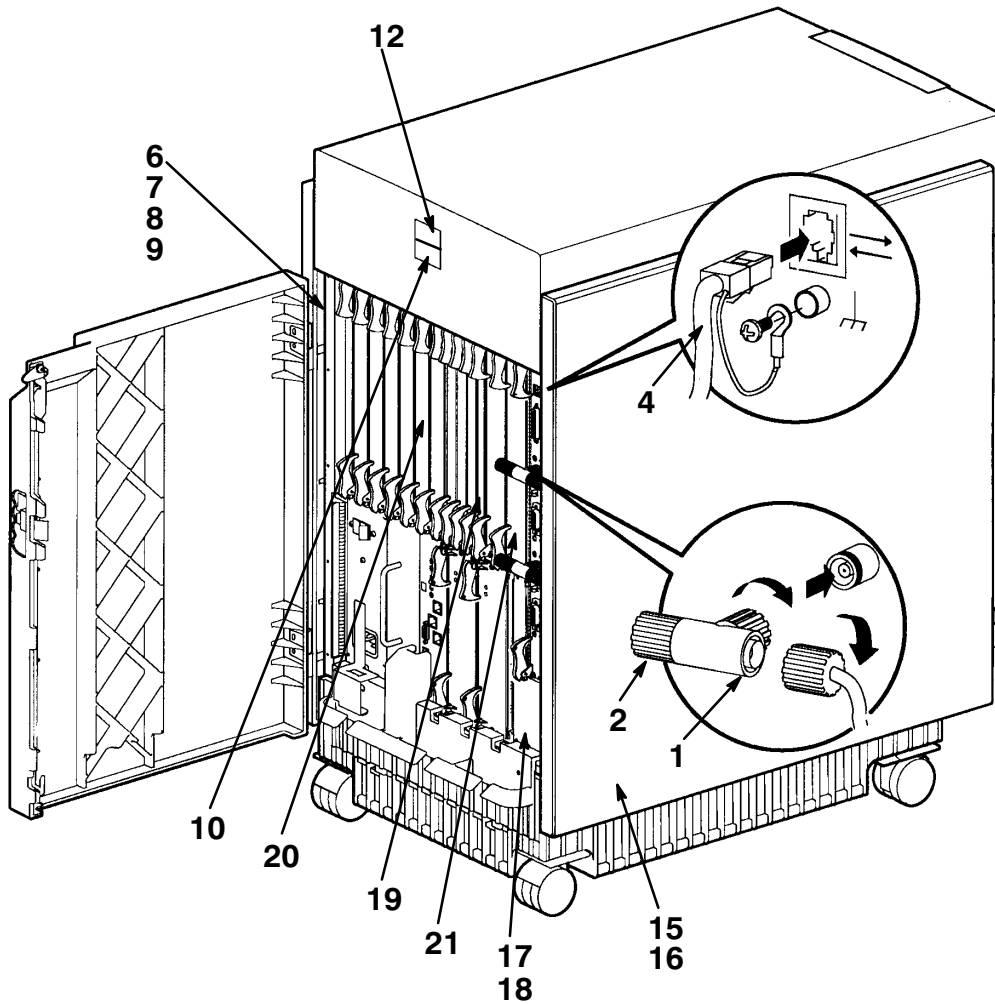
INDICATES FRU LEVEL PARTS.

PARTS LIST



BA640-01A-SC

Figure 1. BA640 Enclosure Assembly (Sheet 2 of 3)



BA640-01B-SC

Figure 1. BA640 Enclosure Assembly (Sheet 3 of 3)

FIG. & ITEM NO.	DESCRIPTION	DEC PART NO.	A ECO CUT-IN BA640 00000	USED ON CODE	REF FIG NO.
1-	<b>BA640 ENCLOSURE ASSEMBLY</b>				
	Code A- Used on BA640-A9 15 AMP	BA640-A9		A	
	Code B- Used on BA640-B9 15 AMP	BA640-B9		B	
	Code C- Used on BA640-C9 20 AMP	BA640-C9		C	
	Code D- Used on BA640-D9 20 AMP	BA640-D9		D	
1	*Tee, Coax	12-25869-01			
2	*Connector, Coax	12-26318-01			
3	*Connector, Terminator (SCSI)	12-30552-01			
4	*Cable Assembly. 06 Cond, Molded, Shielded	17-01364-02			
5	*Label, "FTZ Postcard" (Not Shown)	36-38811-05		A, C	
6	*Label, "Regulatory 15 AMP" US	36-38171-02		A, B	
7	*Label, "Regulatory 15 AMP" UK	36-38171-03		A, B	
8	*Label, "Regulatory 20 AMP" US	36-38171-04		C, D	
9	*Label, "Regulatory 20 AMP" UK	36-38171-05		C, D	
10	*Label, "Serial, External"	36-37957-01		A, C	
11	*Label, "Node Name"	36-38609-01		A, C	
12	*Label, "Digital Logo"	36-38793-01		A, C	
13	*Package Assembly (Not Shown)	37-01336-01		A, C	
14	*Bezel Assembly, Disk Drive	70-27049-02			
15	*CHASSIS ASSEMBLY (Pedestal 15 AMP)	70-28744-01		A	2
16	*CHASSIS ASSEMBLY (Pedestal 20 AMP)	70-28744-02		B	2
17	*CHASSIS ASSEMBLY (Rack Mount 15 AMP)	70-28744-03		C	2
18	*CHASSIS ASSEMBLY (Rack Mount 20 AMP)	70-28744-04		D	2
19	*Bulkhead Assembly (20mm For Module)	70-28767-01			
20	*Bulkhead Assembly (30 mm Blank)	70-28767-03			
21	*Bulkhead Assembly (40 mm Blank)	70-28767-05			
22	*STORAGELESS TRAY (DSSI) (See Note)	70-29491-02			
23	*STORAGELESS TRAY (SCSI) (See Note)	70-29491-01			
24	*Bezel Assembly, Filler	70-27414-01			
25	*Encoder Set, Lens	12-28766-19			
26	*Documentation, Installation Checklist (Not Shown)	EK-EN430-IN			
	<b>NOTE: Refer To Document EK-MS430-IP For Storageless Tray Parts Breakdown.</b>				
	<b>240V 20 AMP Power Cords (Not Shown)</b>				
	*Power Cord 240V U.S./Japan/Canada (BN27R-2E)	17-00083-54			
	*Power Cord 240V Australia/New Zealand (BN27L-2E)	17-00198-16			

FIG. & ITEM NO.	DESCRIPTION	DEC PART NO. <sup>A</sup>	ECO CUT-IN BA640 00000	USED ON CODE	REF FIG NO.
	<b>240V Power Cords (Continued) (Not Shown)</b>				
	* Power Cord 240V Central Europe (BN27M-2E)	17-00199-24			
	* Power Cord 240V U.K./Ireland (BN27Q-2E)	17-00209-20			
	* Power Cord 240V Switzerland (BN27G-2E)	17-00210-15			
	* Power Cord 240V Denmark (BN27K-2E)	17-00310-11			
	* Power Cord 240V Italy (BN27J-2E)	17-00364-20			
	* Power Cord 240V India/South Africa (BN27P-2E)	17-00456-18			
	* Power Cord 240V Israel (BN27N-2E)	17-00457-18			
	<b>240V 15 AMP Power Cords (Not Shown)</b>				
	* Power Cord 240V U.S./Japan/Canada (BN20B-2E)	17-00083-44			
	* Power Cord 240V Australia/New Zealand (BN22C-2E)	17-00198-11			
	* Power Cord 240V Central Europe (BN22D-2E)	17-00199-16			
	* Power Cord 240V U.K./Ireland (BN22E-2E)	17-00209-13			
	* Power Cord 240V Switzerland (BN22F-2E)	17-00210-10			
	* Power Cord 240V Denmark (BN22H-2E)	17-00310-10			
	* Power Cord 240V Italy (BN22J-2E)	17-00364-13			
	* Power Cord 240V India/South Africa (BN22K-2E)	17-00456-13			
	* Power Cord 240V Israel (BN22L-2E)	17-00457-13			
	<b>120V Power Cord (Not Shown)</b>				
	* Power Cord 120V 20 AMP U.S./Japan/Canada (BN27H-2E)	17-00083-53			
	* Power Cord 120V 15 AMP U.S./Japan/Canada (BN20A-2E)	17-00083-43			

THIS PAGE INTENTIONALLY LEFT BLANK

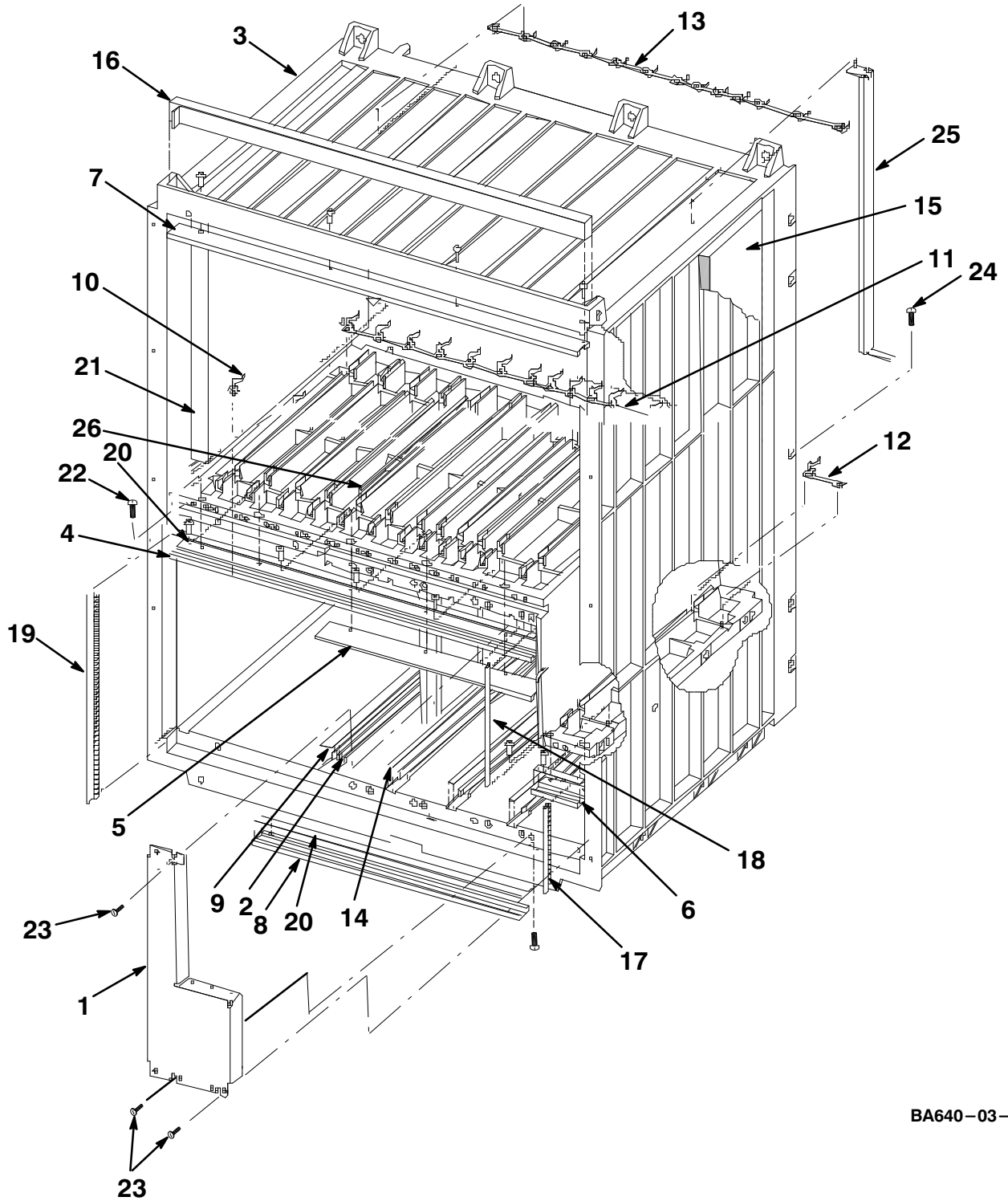




FIG. & ITEM NO.	DESCRIPTION	DEC PART NO.	A ECO CUT-IN 70-28744 00000	USED ON CODE	REF FIG NO.
2-	CHASSIS ASSEMBLY (Pedestal 15 AMP)	70-28744-01		A	1
	CHASSIS ASSEMBLY (Pedestal 20 AMP)	70-28744-02		B	1
	CHASSIS ASSEMBLY (Rack Mount 15 AMP)	70-28744-03		C	1
	CHASSIS ASSEMBLY (Rack Mount 20 AMP)	70-28744-04		D	1
1	*CARD CAGE ASSEMBLY	70-28745-01			3
2	*FRAME ASSMBLY, STORAGE	70-28746-01			4
☞3	*BACKPLANE ASSEMBLY	70-28747-01			5
4	*BASE ASSEMBLY, PEDESTAL	70-28748-01			6
5	*BEZEL ASSEMBLY, OCP (W/Module)	70-28749-02			10
6	*PLENUM ASSEMBLY	70-28762-01		A, B	7
7	*PANEL ASSEMBLY, SIDE	70-28763-01		A, B	9
8	*DOOR ASSEMBLY, FRONT	70-28764-01		A, B	8
9	*DOOR ASSEMBLY, REAR	70-28764-02		A, B	8
☞10	*Cable/Bracket Assembly, DSSI/SCSI	70-29427-01			
11	*Access Panel Assembly, Rear	70-29497-01			
12	*Access Panel Assembly, Front	70-29497-02			
☞13	*Module, Vterm	54-21159-01			
14	*Gasket, EMI/RFI	12-37248-01			
15	*Screw, Mach Phi Truss Hd No. 3.5 x 20MM	90-10556-17			
16	*Screw, Phi Pan Hd No. 5 x 16 MM	90-10556-07			
17	*Washer, Flat	90-40135-02			
18	*Washer, Lock	90-40136-01			
☞19	*Power System, DC-DC Converter Unit, 3.3V	H7178-AA			
☞20	*Power System, 150A DC5	H7885-AA		B, D	
☞21	*Power System, Controller PSC	H7851-AA			
☞22	*Power System, AC Front End FEU 15A	H7853-AA		A, C	
☞23	*Power System, ZVS Front End FEU 20A	H7884-AA		B, D	
☞24	*Power System, DC-DC Coverter 90 Amps DC5	H7179-AA		A, C	
25	*Screw, Captive Pan Hd No. M3.5 x 14MM	12-35749-03		A, C	

INDICATES FRU LEVEL PARTS.

PARTS LIST



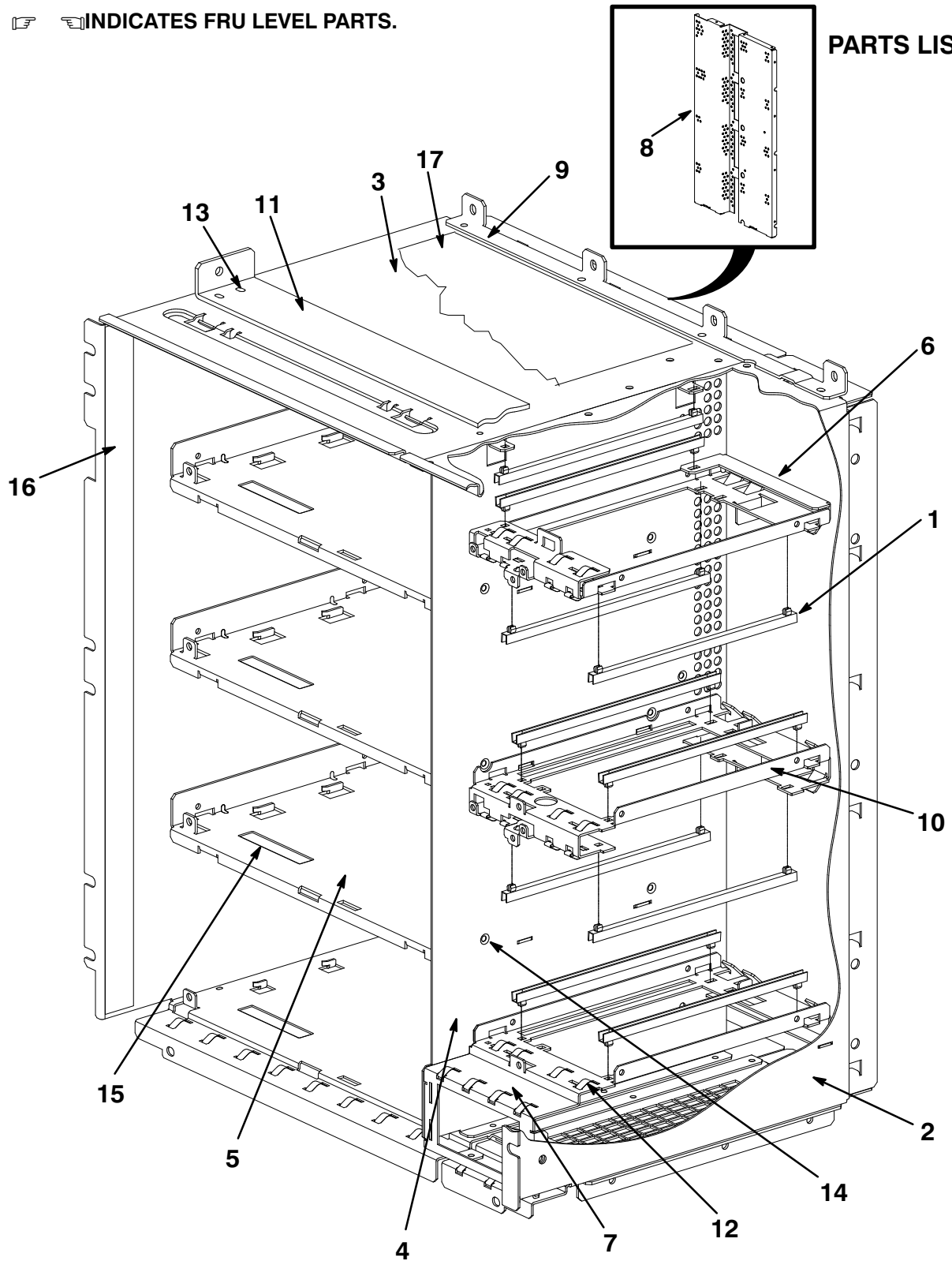
BA640-03-IL

Figure 3. Cardcage Assembly

FIG.& ITEM NO.	DESCRIPTION	DEC PART NO.	A ECO CUT-IN 70-28745 00000	USED ON CODE	REF FIG NO.
3-	CARD CAGE ASSEMBLY	70-28745-01			2
1	*Cover Assembly, Blank	70-28765-01			
2	*Liner, Cardguide (PSC)	74-45485-01			
3	*Enclosure, Cardcage	74-42293-01			
4	*Ejector Bar, Recessed (Modified)	74-42594-04			
5	*Ejector Bar, P/S (Top)	74-45484-01			
6	*Ejector Bar, Recessed (I/O)	74-42594-03			
7	*Ejector Bar, Flush (Top)	74-42595-01			
8	*Ejector Bar, Flush (Bottom)	74-42595-02			
9	*Liner, Cardguide (FEU)	74-45486-01			
10	*Clip, ESD (Bottom)	74-42659-02			
11	*Strip, ESD (I/O)	74-43179-03			
12	*Strip, ESD (Bottom/I/O)	74-43179-04			
13	*Strip, ESD (Top)	74-43179-05			
14	*Liner, Cardguide (Single)	74-44080-01			
15	*Baffle, Cardcage (Left)	74-43919-01			
16	*Foam, Enclosure (Plenum)	74-42561-01			
17	*Shield, EMI/RFI	12-36084-01			
18	*Fingerstock, EMI/RFI	12-36084-02			
19	*Fingerstock, EMI/RFI	12-36084-03			
20	*Label, Card Slot	36-38174-01			
21	*Baffle, Cardcage (Right)	74-43918-01			
22	*Screw, Machine Phi Pan Hd No. M3.0 x 8MM	90-10961-03			
23	*Screw, Mach Phi Truss Hd No.M3.5 x 10MM	90-10556-16			
24	*Screw, Thrl Pan Hd No. M3.5 x 12MM	90-00056-09			
25	*Brace, Cardcage	74-45144-01			
26	*Liner, Cardguide (Shelf)	74-45358-01			
27	*Liner, Cardguide (FEU)	74-45486-01			

INDICATES FRU LEVEL PARTS.

PARTS LIST




BA640-04-IL

Figure 4. Frame Assembly, Storage

FIG. & ITEM NO.	DESCRIPTION	A DEC PART NO.	ECO CUT-IN 70-28746 00000	USED ON CODE	REF FIG NO.
4-	FRAME ASSEMBLY, STORAGE	70-28746-01			2
1	*Card Guide, Single	74-39810-01			
2	*Panel Assembly, Right	70-29437-01			
3	*Panel Assembly, Left	70-29438-01			
4	*Partition, Storage	74-42562-01			
5	*Shelf, Storage	74-42563-01			
6	*Shelf, Removable Media (Top)	74-42564-01			
7	*Shelf, Removable Media (Bottom)	74-42566-01			
8	*Baffle	74-42567-01			
9	*Bracket, Mounting (Top)	74-42568-01			
10	*Shelf, Assembly (Middle)	74-43412-01			
11	*Bracket, Plenum Mounting	74-43612-01			
12	*Finger, Grounding	12-26922-01			
13	*Rivet, Blind	90-00030-40			
14	*Rivet, Blind	90-00030-89			
15	*Label, "Warning 48V"	36-37958-01			
16	*Label, "ISE Compartment Lettering"	36-38175-01			
17	*Label, "System Configuration, Backplane"	36-39660-01			
18	*Label, "Blank" (Not Shown)	36-20313-01			

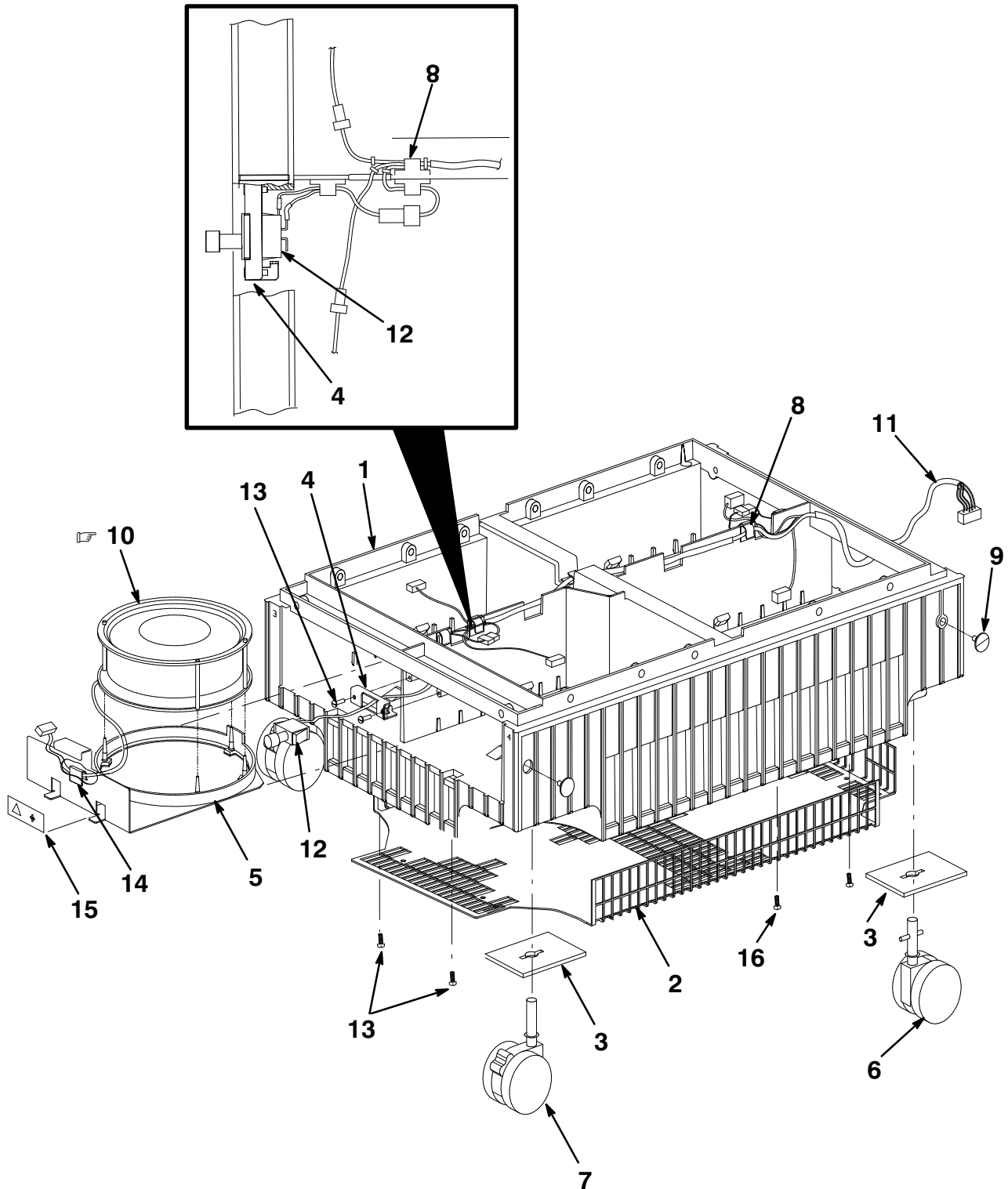


FIG.& ITEM NO.	DESCRIPTION	A DEC PART NO.	ECO CUT-IN 70-28747 00000	USED ON CODE	REF FIG NO.
5- 	<b>BACKPLANE ASSEMBLY</b>	70-28747-01			2
1	*Choke Assembly, Clip, Spring Steel	16-25105-13			
2	*Ferrite, Bead	16-36240-01			
3	*Choke Assembly, Ferrite 40 Cond Flat Cable	16-25105-12			
4	*Choke Assembly, Ferrite 100 Cond Flat Cable	16-25105-11			
5	*Cable Assembly, 100 Cond Flat w/IDC Conn.	17-03340-01			
6	*Cable Assembly, 40 Cond Flat w/IDC Conn.	17-03341-01			
7	*Module, BA640 System Backplane	54-20916-02			
8	*Module, Storage Backplane II	54-21179-01			
9	*Shield Backplane	74-42557-01			
10	*Cover, Cable Backplane	74-42558-01			
11	*Screw, Sems Phi Pan Hd No. 6-32 x 1/4	90-10174-00			
12	*Screw, Sems Phi Pan Hd No. 6-32 x 1/2	90-09984-03			
13	*Washer, Foam (Polyurethane)	90-11248-01			
14	*Tape, Foam (Adh. Backed)	90-11254-01			
15	*Module, Continuity Card	54-21157-01			
16	*Label, "Backplane Screw Placement"	36-38924-01			



INDICATES FRU LEVEL PARTS.

PARTS LIST



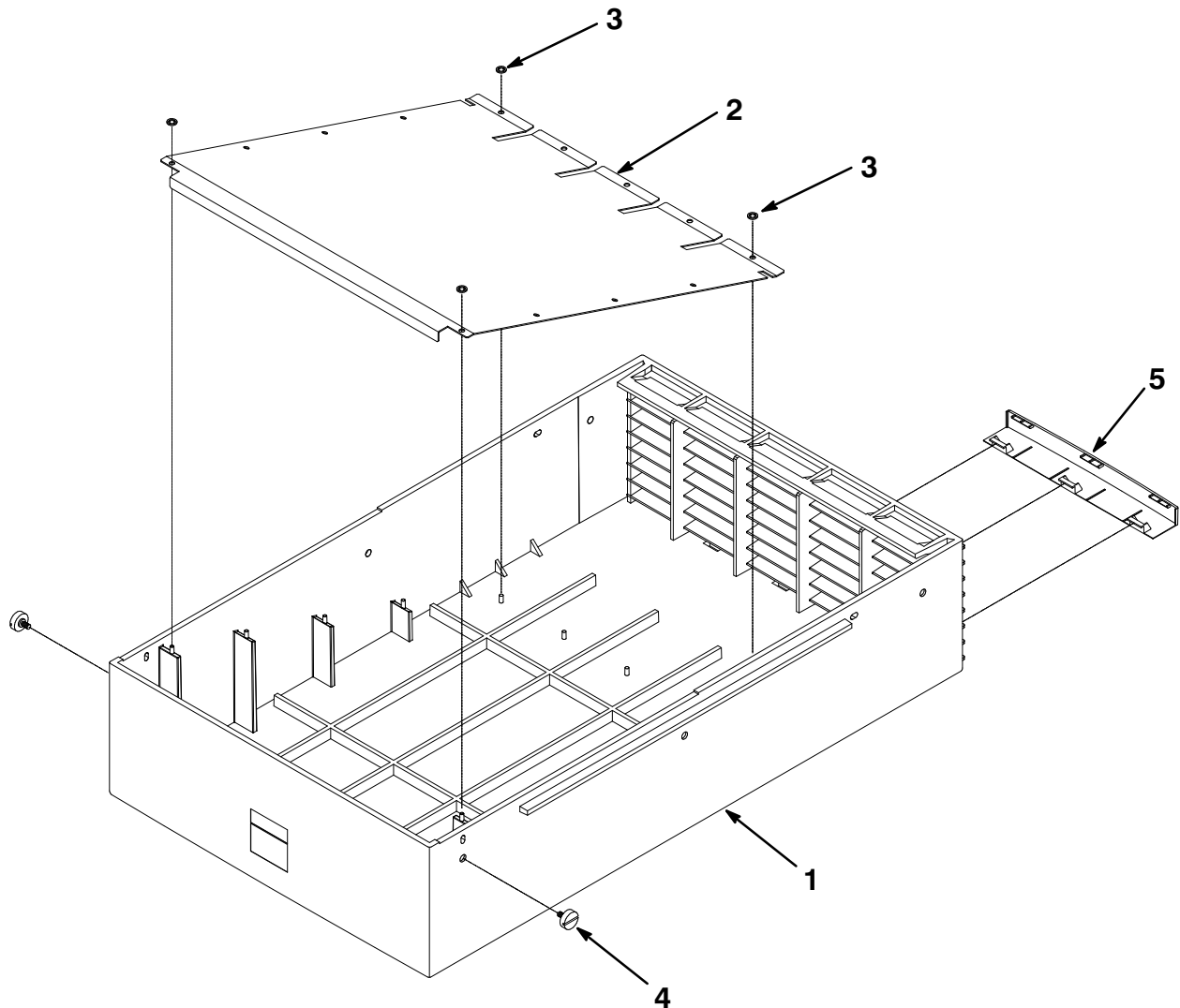
BA640-06-IL

Figure 6. Base Assembly, Pedestal

FIG.& ITEM NO.	DESCRIPTION	A DEC PART NO.	ECO CUT-IN 70-28748 00000	USED ON CODE	REF FIG NO.
6-	BASE ASSEMBLY, PEDESTAL	70-28748-01			2
1	*Base, Pedestal	74-42294-01			
2	*Pan, Drip	74-42581-01			
3	*Retainer, Caster	74-42582-01			
4	*Bracket, Switch Interlock	74-44373-01			
5	*Isolator, Fan (6")	74-44610-01			
6	*Caster (Stationary)	12-35384-01			
7	*Caster (Swivel)	12-35384-02			
8	*Clip, Cable (Adh. Backed)	12-21249-01			
9	*Screw, Shield No. M5 x 9MM	12-36038-01			
☞10	*Fan, 6 3/4"	12-36202-01			
11	*Harness Assembly, Wire 20/24 AWG	17-03111-01			
12	*Harness Assembly, Wire (04 Wire)	17-03342-01			
13	*Screw, Thrl Pan Hd No. M3.5 x 8MM	90-00056-11			
14	*Clip, Cable	90-08340-00			
15	*Label, "Warning Fan 57mm x 32MM"	36-36855-02			
16	*Screw, Flat Hd No. M3.5 x 8MM	90-40188-01			

FIG. & ITEM NO.	DESCRIPTION	DEC PART NO.	A ECO CUT-IN 70-27862 00000	USED ON CODE	REF FIG NO.
7-	PLENUM ASSEMBLY	70-28762-01			2
1	*Plenum, Top	74-42592-01			
2	*Plate, Deflector Air	74-43178-01			
3	*Nut, Push	90-09865-03			
4	*Screw, Shield No. M5 x 9MM	12-36038-01			
5	*Medallion	74-44024-01			

  INDICATES FRU LEVEL PARTS.



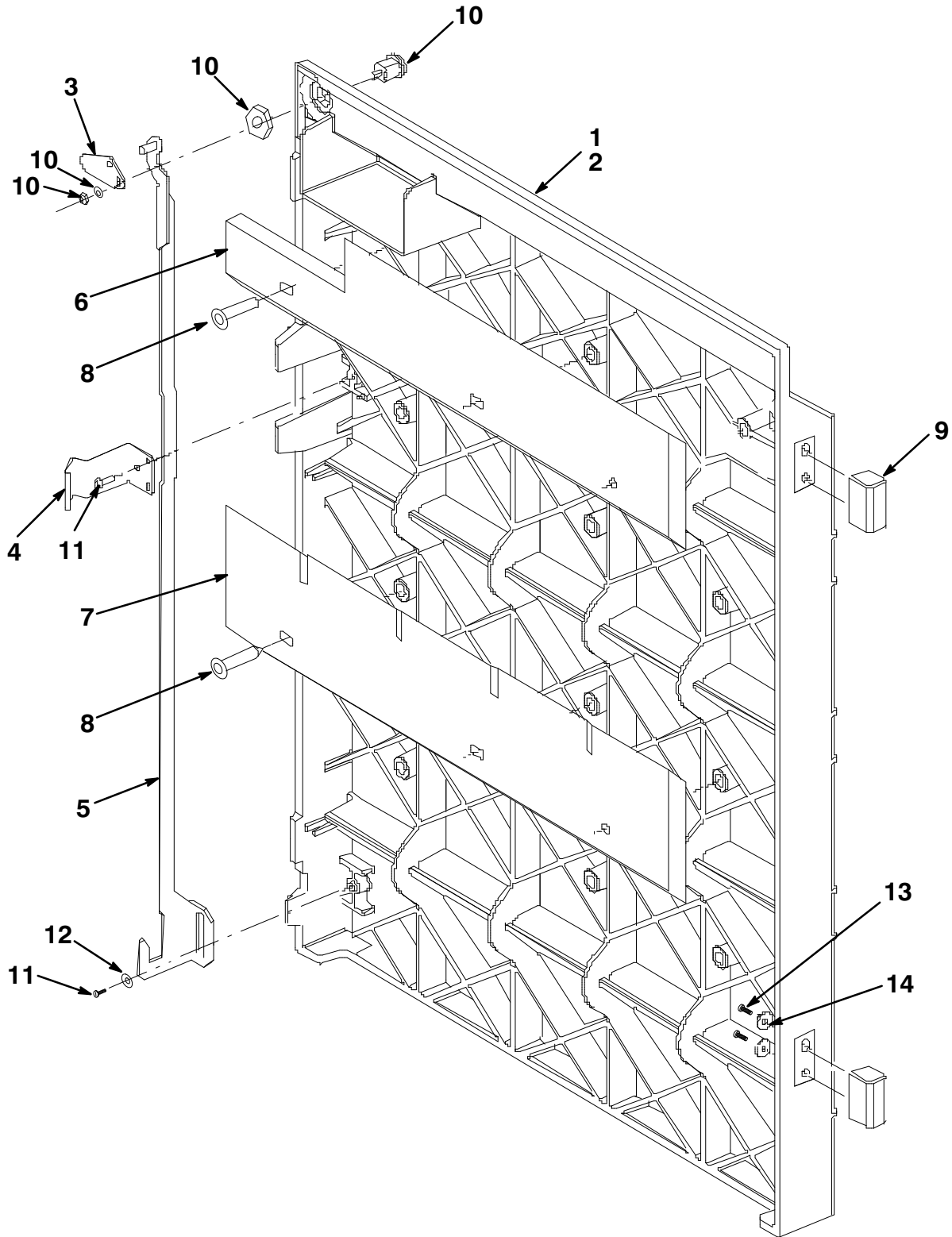
BA640-07-IL

**Figure 7. Plenum Assembly**

THIS PAGE INTENTIONALLY LEFT BLANK

INDICATES FRU LEVEL PARTS.

PARTS LIST



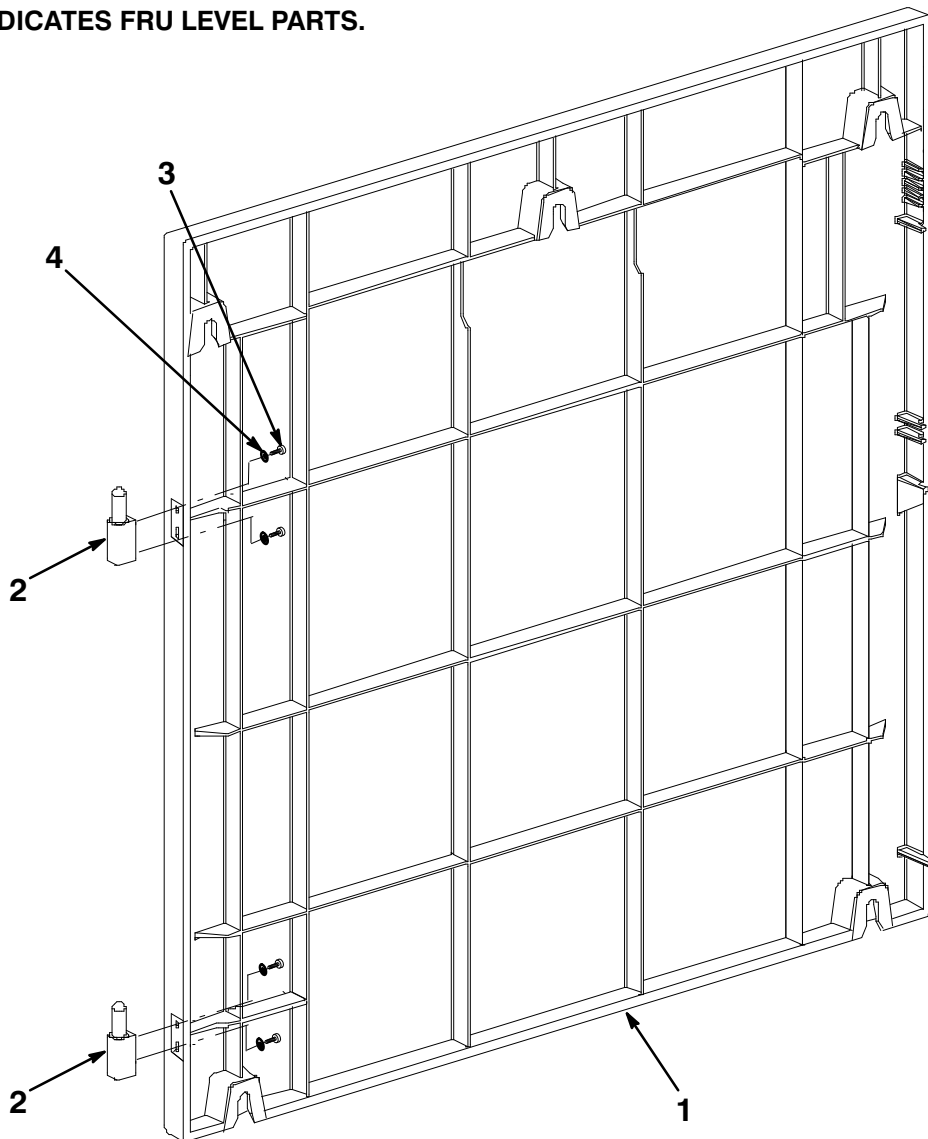
BA640-08-IL

Figure 8. Door Assembly (Front/Rear)

FIG.& ITEM NO.	DESCRIPTION	DEC PART NO.	A ECO CUT-IN 70-28764 00000	USED ON CODE	REF FIG NO.
8-	DOOR ASSEMBLY FRONT	70-28764-01		A	2
	DOOR ASSEMBLY REAR	70-28764-02		B	2
1	*Door, Pedestal (Front)	74-43207-01		A	
2	*Door, Pedestal (Rear)	74-43207-02		B	
3	*Pawl	74-43501-01			
4	*Spring, Detent	74-43502-01			
5	*Bracket, Latching	74-43500-01			
6	*Foam, Front Door (Top)	74-44375-01		A	
7	*Foam, Front Door (Standard)	74-44374-01		A	
8	*Fastener, Panel (Triangle Crown)	90-10564-04		A	
9	*Hinge, Door	12-35726-02			
10	*Lock, Key	12-36437-01			
11	*Screw, Pan Hd No. M3.5 x 8MM	90-00056-11			
12	*Washer, Flat	90-40189-01			
13	*Screw, Mach Pan Hd No. M 5 x12MM	90-10556-14			
14	*Washer, Ext. Tooth Lock	90-10591-03			

FIG. & ITEM NO.	DESCRIPTION	DEC PART NO.	A ECO CUT-IN 70-28763 00000	USED ON CODE	REF FIG NO.
9-	PANEL ASSEMBLY, SIDE	70-28763-01			2
1	*Panel, Side	74-42593-01			
2	*Hinge, Door	12-35726-01			
3	*Screw, Mach Pan Hd No. M5 x 12MM	90-10556-14			
4	*Washer, Ext Tooth Lock	90-10591-03			

  INDICATES FRU LEVEL PARTS.

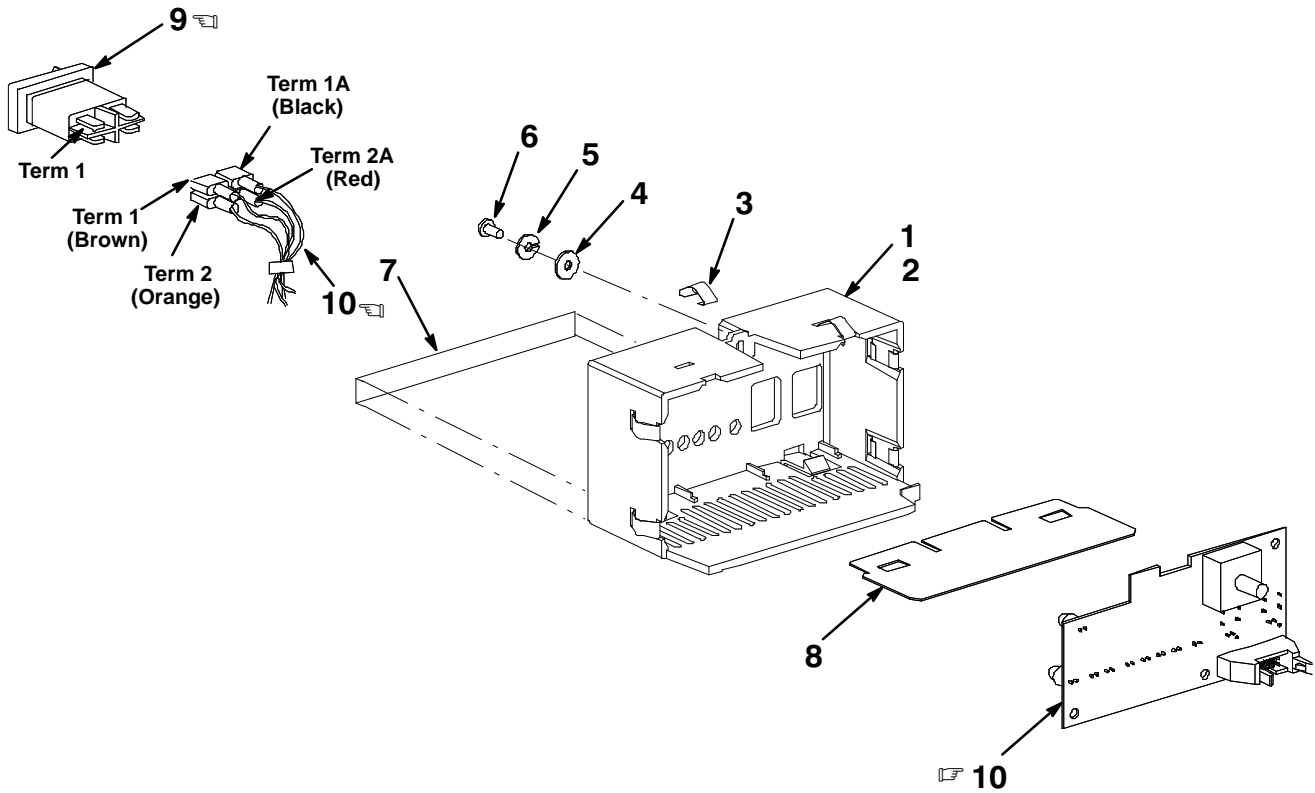


BA640-09-IL

**Figure 9. Panel Assembly, Side**




THIS PAGE INTENTIONALLY LEFT BLANK





BA640-10-IL

Figure 10. Bezel Assembly, OCP

FIG.& ITEM NO.	DESCRIPTION	A DEC PART NO.	ECO CUT-IN 70-28749 00000	USED ON CODE	REF FIG NO.
10- 	BEZEL ASSEMBLY, OCP	70-28749-02			2
1	*BEZEL ASSEMBLY, OCP	70-28749-01			
2	**Bezel, OCP	74-42589-01			
3	**Finger, Grounding	12-26922-05			
4	**Washer, Flat	90-40135-01			
5	**Washer, Split-Lock	90-40136-02			
6	**Screw, Mach Pan Hd No. M4 x 12MM	12-35880-02			
7	**Label, "Operator Control Panel"	36-38541-01			
8	*Screen, OCP	74-43920-01			
 9	*Switch, Rocker	12-33557-02			
 10	*Module, Operator Control Panel				

Ω

**PART NUMBER/DESCRIPTION INDEX** 

**INDEX BY DEC PART NUMBER**  
**DEC 4000 ENCLOSURES**

PART NO.	DESCRIPTION	FIG NO.	ITEM NO.
12-21249-01	Clip, Cable (Adh. Backed)	6	8
12-25869-01	Tee, Coax	1	1
12-28766-19	Encoder Set, Lens	1	25
12-26318-01	Connector, Coax	1	2
12-26922-01	Finger, Grounding	10	3
12-26922-01	Finger, Grounding	4	12
12-30552-01	Connector, Terminator (SCSI)	1	3
12-33557-02	Switch, Rocker	10	9
12-35384-01	Caster (Stationary)	6	6
12-35384-02	Caster (Swivel)	6	7
12-35726-01	Hinge, Door	9	2
12-35726-02	Hinge, Door	8	9
12-35880-02	Screw, Mach Pan Hd No. M4 x 12MM	10	6
12-36038-01	Screw, Shield No. M5 x 9MM	6	9
12-36038-01	Screw, Shield No. M5 x 9MM	7	4
12-36084-01	Shield, EMI/RFI	3	17
12-36084-02	Fingerstock, EMI/RFI	3	18
12-36084-03	Fingerstock, EMI/RFI	3	19
12-36202-01	Fan, 6.75"	6	10
12-36437-01	Lock, Key	8	10
12-37248-01	Gasket, EMI/RFI	2	14
16-25105-11	Choke Assembly, Ferrite 100 Cond Flat Cable	5	4
16-25105-12	Choke Assembly, Ferrite 40 Cond Flat Cable	5	3
16-25105-13	Choke Assembly, Clip, Spring Steel	5	1
16-36240-01	Ferrite, Bead	5	2
17-00083-43	Power Cord 120V 15 AMP U.S./Japan/Canada (BN20A-2E)	1	Not Shown
17-00083-44	Power Cord 240V U.S./Japan/Canada (BN20B-2E)	1	Not Shown
17-00083-53	Power Cord 120V 20 AMP U.S./Japan/Canada (BN27H-2E)	1	Not Shown
17-00083-54	Power Cord 240V U.S./Japan/Canada (BN27R-2E)	1	Not Shown
17-00198-11	Power Cord 240V Australia/New Zealand (BN22C-2E)	1	Not Shown
17-00198-16	Power Cord 240V Australia/New Zealand (BN27L-2E)	1	Not Shown
17-00199-16	Power Cord 240V Central Europe (BN22D-2E)	1	Not Shown
17-00199-24	Power Cord 240V Central Europe (BN27M-2E)	1	Not Shown
17-00209-13	Power Cord 240V U.K./Ireland (BN22E-2E)	1	Not Shown
17-00209-20	Power Cord 240V U.K./Ireland (BN27Q-2E)	1	Not Shown
17-00210-10	Power Cord 240V Switzerland (BN22F-2E)	1	Not Shown
17-00210-15	Power Cord 240V Switzerland (BN27G-2E)	1	Not Shown
17-00310-10	Power Cord 240V Denmark (BN22H-2E)	1	Not Shown
17-00310-11	Power Cord 240V Denmark (BN27K-2E)	1	Not Shown
17-00364-13	Power Cord 240V Italy (BN22J-2E)	1	Not Shown
17-00364-20	Power Cord 240V Italy (BN27J-2E)	1	Not Shown
17-00456-13	Power Cord 240V India/South Africa (BN22K-2E)	1	Not Shown
17-00456-18	Power Cord 240V India/South Africa (BN27P-2E)	1	Not Shown
17-00457-13	Power Cord 240V Israel (BN22L-2E)	1	Not Shown
17-00457-18	Power Cord 240V Israel (BN27N-2E)	1	Not Shown
17-01364-02	Cable Assembly. 06 Cond, Molded, Shielded	1	4
17-03111-01	Harness Assembly, Wire 20/24 AWG	6	11
17-03340-01	Cable Assembly, 100 Cond Flat w/IDC Conn.	5	5
17-03341-01	Cable Assembly, 40 Cond Flat w/IDC Conn.	5	6
17-03342-01	Harness Assembly, Wire (04 Wire)	6	12

**INDEX BY DEC PART NUMBER**  
**DEC 4000 ENCLOSURES**

PART NO.	DESCRIPTION	FIG NO.	ITEM NO.
36-20313-01	Label, "Blank" (Not Shown)	4	18
36-36855-02	Label, "Warning Fan 57mm x 32MM"	6	15
36-37957-01	Label, "Serial, External"	1	10
36-37958-01	Label, "Warning 48V"	4	15
36-38171-02	Label, "Regulatory 15 AMP" US	1	6
36-38171-03	Label, "Regulatory 15 AMP" UK	1	7
36-38171-04	Label, "Regulatory 20 AMP" US	1	8
36-38171-05	Label, "Regulatory 20 AMP" UK	1	9
36-38174-01	Label, Card Slot	3	20
36-38175-01	Label, "ISE Compartment Lettering"	4	16
36-38541-01	Label, "Operator Control Panel"	10	7
36-38609-01	Label, "Node Name"	1	11
36-38793-01	Label, "Digital Logo"	1	12
36-38811-05	Label, "FTZ Postcard" (Not Shown)	1	5
36-38924-01	Label, "Backplane Screw Placement"	5	16
36-39660-01	Label, "System Configuration, Backplane"	4	17
37-01336-01	Package Assembly (Not Shown)	1	13
54-20878-01	Module, Operator Control Panel	10	10
54-20916-02	Module, BA640 System Backplane	5	7
54-21157-01	Module, Continuity Card	5	15
54-21159-01	Module, Vterm	2	13
54-21179-01	Module, Storage Backplane II	5	8
70-27049-02	Bezel Assembly, Disk Drive	1	14
70-27414-01	Bezel Assembly, Filler	1	24
70-28744-01	CHASSIS ASSEMBLY (Pedestal 15 AMP)	1	15
70-28744-01	CHASSIS ASSEMBLY (Pedestal 15 AMP)	2	N/A
70-28744-02	CHASSIS ASSEMBLY (Pedestal 20 AMP)	1	16
70-28744-02	CHASSIS ASSEMBLY (Pedestal 20 AMP)	2	N/A
70-28744-03	CHASSIS ASSEMBLY (Rack Mount 15 AMP)	1	17
70-28744-03	CHASSIS ASSEMBLY (Rack Mount 15 AMP)	2	N/A
70-28744-04	CHASSIS ASSEMBLY (Rack Mount 20 AMP)	1	18
70-28744-04	CHASSIS ASSEMBLY (Rack Mount 20 AMP)	2	N/A
70-28745-01	CARD CAGE ASSEMBLY	2	1
70-28745-01	CARD CAGE ASSEMBLY	3	N/A
70-28746-01	FRAME ASSEMBLY, STORAGE	4	N/A
70-28746-01	FRAME ASSEMBLY, STORAGE	2	2
70-28747-01	BACKPLANE ASSEMBLY	2	3
70-28747-01	BACKPLANE ASSEMBLY	5	N/A
70-28748-01	BASE ASSEMBLY, PEDESTAL	2	4
70-28748-01	BASE ASSEMBLY, PEDESTAL	6	N/A
70-28749-01	BEZEL ASSEMBLY, OCP	10	1
70-28749-02	BEZEL ASSEMBLY, OCP	10	N/A
70-28749-02	BEZEL ASSEMBLY, OCP (W/Module)	2	5
70-28762-01	PLENUM ASSEMBLY	2	6
70-28762-01	PLENUM ASSEMBLY	7	N/A
70-28763-01	PANEL ASSEMBLY, SIDE	2	7
70-28763-01	PANEL ASSEMBLY, SIDE	9	N/A
70-28764-01	DOOR ASSEMBLY FRONT	8	N/A
70-28764-01	DOOR ASSEMBLY, FRONT	2	8
70-28764-02	DOOR ASSEMBLY REAR	8	N/A
70-28764-02	DOOR ASSEMBLY, REAR	2	9
70-28765-01	Cover Assembly, Blank	3	1

**INDEX BY DEC PART NUMBER**  
**DEC 4000 ENCLOSURES**

PART NO.	DESCRIPTION	FIG NO.	ITEM NO.
70-28767-01	Bulkhead Assembly (20mm For Module)	1	19
70-28767-03	Bulkhead Assembly (30 mm Blank)	1	20
70-28767-05	Bulkhead Assembly (40 mm Blank)	1	21
70-29427-01	Cable/Bracket Assembly, DSSI/SCSI	2	10
70-29437-01	Panel Assembly, Right	4	2
70-29438-01	Panel Assembly, Left	4	3
70-29491-01	STORAGELESS TRAY (SCSI)	1	23
70-29491-02	STORAGELESS TRAY (DSSI)	1	22
70-29497-01	Panel Assembly, Rear Access	2	11
70-29497-02	Panel Assembly, Front Access	2	12
74-39810-01	Card Guide, Single	4	1
74-42293-01	Enclosure, Cardcage	3	3
74-42294-01	Base, Pedestal	6	1
74-42557-01	Shield Backplane	5	9
74-42558-01	Cover, Cable Backplane	5	10
74-42561-01	Foam, Enclosure (Plenum)	3	16
74-42562-01	Partition, Storage	4	4
74-42563-01	Shelf, Storage	4	5
74-42564-01	Shelf, Removable Media (Top)	4	6
74-42566-01	Shelf, Removable Media (Bottom)	4	7
74-42567-01	Baffle	4	8
74-42568-01	Bracket, Mounting (Top)	4	9
74-42581-01	Pan, Drip	6	2
74-42582-01	Retainer, Caster	6	3
74-42589-01	Bezel, OCP	10	2
74-42592-01	Plenum, Top	7	1
74-42593-01	Panel, Side	9	1
74-42594-03	Ejector Bar, Recessed (I/O)	3	6
74-42594-04	Ejector Bar, Recessed (Modified)	3	4
74-42595-01	Ejector Bar, Flush (Top)	3	7
74-42595-02	Ejector Bar, Flush (Bottom)	3	8
74-42659-02	Clip, ESD (Bottom)	3	10
74-43178-01	Plate, Deflector Air	7	2
74-43179-01	Strip, ESD (Top)	3	9
74-43179-03	Strip, ESD (I/O)	3	11
74-43179-04	Strip, ESD (Bottom/I/O)	3	12
74-43179-05	Strip, ESD (Top)	3	13
74-43207-01	Door, Pedestal (Front)	8	1
74-43207-02	Door, Pedestal (Rear)	8	2
74-43412-01	Shelf, Assembly (Middle)	4	10
74-43500-01	Bracket, Latching	8	5
74-43501-01	Pawl	8	3
74-43502-01	Spring, Detent	8	4
74-43612-01	Bracket, Plenum Mounting	4	11
74-43918-01	Baffle, Cardcage (Right)	3	21
74-43919-01	Baffle, Cardcage (Left)	3	15
74-43920-01	Screen, OCP	10	8
74-44024-01	Medallion	7	5
74-44080-01	Liner, Cardguide (Single)	3	14
74-44373-01	Bracket, Switch Interlock	6	4
74-44374-01	Foam, Front Door (Standard)	8	7
74-44375-01	Foam, Front Door (Top)	8	6
74-44610-01	Isolator, Fan (6")	6	5
74-45144-01	Brace, Cardcage	3	25

**INDEX BY DEC PART NUMBER**  
**DEC 4000 ENCLOSURES**

PART NO.	DESCRIPTION	FIG NO.	ITEM NO.
74-45358-01	Liner, Cardguide (Shelf)	3	26
74-45484-01	Ejector Bar, P/S (Top)	3	5
74-45485-01	Linear, Cardguide (PSC)	3	2
74-45486-01	Liner, Cardguide (FEU)	3	9
90-00030-40	Rivet, Blind	4	13
90-00030-89	Rivet, Blind	4	14
90-00056-09	Screw, Thrl Pan Hd No. M3.5 x 12MM	3	24
90-00056-11	Screw, Pan Hd No. M3.5 x 8MM	8	11
90-00056-11	Screw, Thrl Pan Hd No. M3.5 x 8MM	6	13
90-08340-00	Clip, Cable	6	14
90-09865-03	Nut, Push	7	3
90-09984-03	Screw, Sems Phi Pan Hd No. 6-32 x 1/2	5	12
90-10174-00	Screw, Sems Phi Pan Hd No. 6-32 x 1/4	5	11
90-10556-07	Screw, Phi Pan Hd No. 5 x 16 MM	2	16
90-10556-14	Screw, Mach Pan Hd No. M 5 x12MM	8	13
90-10556-14	Screw, Mach Pan Hd No. M5 x 12MM	9	3
90-10556-16	Screw, Mach Phi Truss Hd No.M3.5 x 10MM	3	23
90-10556-17	Screw, Mach Phi Truss Hd No. 3.5 x 20MM	2	15
90-10564-04	Fastener, Panel (Triangle Crown)	8	8
90-10591-03	Washer, Ext Tooth Lock	9	4
90-10591-03	Washer, Ext. Tooth Lock	8	14
90-10961-03	Screw, Machine Phi Pan Hd No. M3.0 x 8MM	3	22
90-11248-01	Washer, Foam (Polyurethane)	5	13
90-11254-01	Tape, Foam (Adh. Backed)	5	14
90-40135-01	Washer, Flat	10	4
90-40135-02	Washer, Flat	2	17
90-40136-01	Washer, Lock	2	18
90-40136-02	Washer, Split-Lock	10	5
90-40188-01	Screw, Flat Hd No. M3.5 x 8MM	6	16
90-40189-01	Washer, Flat	8	12
BA640-A9	BA640-A9 15 AMP	1	N/A
BA640-B9	BA640-B9 15 AMP	1	N/A
BA640-C9	BA640-C9 20 AMP	1	N/A
BA640-D9	BA640-D9 20 AMP	1	N/A
EK-EN430-IN	Documentation, Installation Checklist (Not Shown)	1	26
H7178-AA	Power System, DC-DC Converter Unit, 3.3V	2	19
H7179-AA	Power System, DC-DC Coverter 90 Amps DC5	2	24
H7851-AA	Power System, Controller PSC	2	21
H7853-AA	Power System, AC Front End FEU 15A	2	22
H7884-AA	Power System, ZVS Front End FEU 20A	2	23
H7885-AA	Power System, 150A DC5	2	20

**INDEX BY DEC PART DESCRIPTION**  
**DEC 4000 ENCLOSURES**

DESCRIPTION	DEC PART NO.	FIG. NO.	ITEM NO.
<b>BA640 ENCLOSURE ASSEMBLY</b>	N/A	1	N/A
<b>BA640-A9 15 AMP</b>	BA640-A9	1	N/A
<b>BA640-B9 15 AMP</b>	BA640-B9	1	N/A
<b>BA640-C9 20 AMP</b>	BA640-C9	1	N/A
<b>BA640-D9 20 AMP</b>	BA640-D9	1	N/A
<b>BACKPLANE ASSEMBLY</b>	70-28747-01	2	3
<b>BACKPLANE ASSEMBLY</b>	70-28747-01	5	N/A
<b>BASE ASSEMBLY, PEDESTAL</b>	70-28748-01	2	4
<b>BASE ASSEMBLY, PEDESTAL</b>	70-28748-01	6	N/A
<b>BEZEL ASSEMBLY, OCP</b>	70-28749-01	10	1
<b>Baffle</b>	74-42567-01	4	8
<b>Baffle, Cardcage (Left)</b>	74-43919-01	3	15
<b>Baffle, Cardcage (Right)</b>	74-43918-01	3	21
<b>Base, Pedestal</b>	74-42294-01	6	1
<b>Bezel Assembly, Disk Drive</b>	70-27049-02	1	14
<b>Bezel Assembly, Filler</b>	70-27414-01	1	24
<b>BEZEL ASSEMBLY, OCP</b>	70-28749-02	10	N/A
<b>BEZEL ASSEMBLY, OCP (W/Module)</b>	70-28749-02	2	5
<b>Bezel, OCP</b>	74-42589-01	10	2
<b>Brace, Cardcage</b>	74-45144-01	3	25
<b>Bracket, Latching</b>	74-43500-01	8	5
<b>Bracket, Mounting (Top)</b>	74-42568-01	4	9
<b>Bracket, Plenum Mounting</b>	74-43612-01	4	11
<b>Bracket, Switch Interlock</b>	74-44373-01	6	4
<b>Bulkhead Assembly (20mm For Module)</b>	70-28767-01	1	19
<b>Bulkhead Assembly (30 mm Blank)</b>	70-28767-03	1	20
<b>Bulkhead Assembly (40 mm Blank)</b>	70-28767-05	1	21
<b>CARD CAGE ASSEMBLY</b>	70-28745-01	2	1
<b>CARD CAGE ASSEMBLY</b>	70-28745-01	3	N/A
<b>CHASSIS ASSEMBLY (Pedestal 15 AMP)</b>	70-28744-01	1	15
<b>CHASSIS ASSEMBLY (Pedestal 15 AMP)</b>	70-28744-01	2	N/A
<b>CHASSIS ASSEMBLY (Pedestal 20 AMP)</b>	70-28744-02	1	16
<b>CHASSIS ASSEMBLY (Pedestal 20 AMP)</b>	70-28744-02	2	N/A
<b>CHASSIS ASSEMBLY (Rack Mount 15 AMP)</b>	70-28744-03	1	17
<b>CHASSIS ASSEMBLY (Rack Mount 15 AMP)</b>	70-28744-03	2	N/A
<b>CHASSIS ASSEMBLY (Rack Mount 20 AMP)</b>	70-28744-04	1	18
<b>CHASSIS ASSEMBLY (Rack Mount 20 AMP)</b>	70-28744-04	2	N/A
<b>Cable Assembly, 100 Cond Flat w/IDC Conn.</b>	17-03340-01	5	5
<b>Cable Assembly, 40 Cond Flat w/IDC Conn.</b>	17-03341-01	5	6
<b>Cable Assembly, 06 Cond, Molded, Shielded</b>	17-01364-02	1	4
<b>Cable/Bracket Assembly, DSSI/SCSI</b>	70-29427-01	2	10
<b>Card Guide, Single</b>	74-39810-01	4	1
<b>Caster (Stationary)</b>	12-35384-01	6	6
<b>Caster (Swivel)</b>	12-35384-02	6	7
<b>Choke Assembly, Clip, Spring Steel</b>	16-25105-13	5	1
<b>Choke Assembly, Ferrite 100 Cond Flat Cable</b>	16-25105-11	5	4
<b>Choke Assembly, Ferrite 40 Cond Flat Cable</b>	16-25105-12	5	3
<b>Clip, Cable</b>	90-08340-00	6	14
<b>Clip, Cable (Adh. Backed)</b>	12-21249-01	6	8
<b>Clip, ESB (Bottom)</b>	74-42659-02	2	9
<b>Connector, Coax</b>	12-26318-01	1	2
<b>Connector, Terminator (SCSI)</b>	12-30552-01	1	3
<b>Cover Assembly, Blank</b>	70-28765-01	3	1



**INDEX BY DEC PART DESCRIPTION**  
**DEC 4000 ENCLOSURES**

DESCRIPTION	DEC PART NO.	FIG. NO.	ITEM NO.
Cover, Cable Backplane	74-42558-01	5	10
Documentation, Installation Checklist (Not Shown)	EK-EN430-IN	1	26
DOOR ASSEMBLY, FRONT	70-28764-01	2	8
DOOR ASSEMBLY, FRONT	70-28764-01	8	N/A
DOOR ASSEMBLY, REAR	70-28764-02	2	9
DOOR ASSEMBLY, REAR	70-28764-02	8	N/A
Door, Pedestal (Front)	74-43207-01	8	1
Door, Pedestal (Rear)	74-43207-02	8	2
Ejector Bar, Flush (Bottom)	74-42595-02	3	8
Ejector Bar, Flush (Top)	74-42595-01	3	7
Ejector Bar, P/S (Top)	74-45484-01	3	5
Ejector Bar, Recessed (Modified)	74-42594-04	3	4
Ejector Bar, Recessed (I/O)	74-42594-03	3	6
Enclosure, Cardcage	74-42293-01	3	3
Encoder Set, Lens	12-28766-19	1	25
Fan, 6.75"	12-36202-01	6	10
Fastener, Panel (Triangle Crown)	90-10564-04	8	8
Ferrite, Bead	16-36240-01	5	2
Finger, Grounding	12-26922-01	10	3
Finger, Grounding	12-26922-01	4	12
Fingerstock, EMI/RFI	12-36084-02	3	18
Fingerstock, EMI/RFI	12-36084-03	3	19
Foam, Enclosure (Plenum)	74-42561-01	3	16
Foam, Front Door (Standard)	74-44374-01	8	7
Foam, Front Door (Top)	74-44375-01	8	6
FRAME ASSEMBLY, STORAGE	70-28746-01	4	N/A
FRAME ASSMBLY, STORAGE	70-28746-01	2	2
Gasket, EMI/RFI	12-37248-01	2	14
Harness Assembly, Wire (04 Wire)	17-03342-01	6	12
Harness Assembly, Wire 20/24 AWG	17-03111-01	6	11
Hinge, Door	12-35726-01	9	2
Hinge, Door	12-35726-02	8	9
Isolator, Fan (6")	74-44610-01	6	5
Label, "Blank"	36-20313-01	4	18
Label, "Backplane Screw Placement"	36-38924-01	5	16
Label, "Digital Logo"	36-38793-01	1	12
Label, "FTZ Postcard" (Not Shown)	36-38811-05	1	5
Label, "ISE Compartment Lettering"	36-38175-01	4	16
Label, "Node Name"	36-38609-01	1	11
Label, "Operator Control Panel"	36-38541-01	10	7
Label, "Regulatory 15 AMP"	36-38171-05	1	6
Label, "Regulatory 15 AMP"	36-38171-06	1	7
Label, "Regulatory 20 AMP"	36-38171-07	1	8
Label, "Regulatory 20 AMP"	36-38171-08	1	9
Label, "Regulatory, Electrical Data, SN"	36-38171-02	1	25
Label, "Serial, External"	36-37957-01	1	10
Label, "System Configuration, Backplane"	36-39660-01	4	17
Label, "Warning 48V"	36-37958-01	4	15
Label, "Warning Fan 57mm x 32MM"	36-36855-02	6	15
Label, Card Slot	36-38174-01	3	20

**INDEX BY DEC PART DESCRIPTION**  
**DEC 4000 ENCLOSURES**

DESCRIPTION	DEC PART NO.	FIG. NO.	ITEM NO.
Linear, Cardguide (PSC)	74-45485-01	3	2
Liner, Cardguide (FEU)	74-45486-01	3	9
Liner, Cardguide (Shelf)	74-45358-01	3	26
Liner, Cardguide (Single)	74-44080-01	3	14
Lock, Key	12-36437-01	8	10
Medallion	74-44024-01	7	5
Module, BA640 System Backplane	54-20916-02	5	7
Module, Vterm	54-21159-01	2	13
Module, Continuity Card	54-21157-01	5	15
Module, Operator Control Panel	54-20878-01	10	10
Module, Storage Backplane II	54-21179-01	5	8
Nut, Push	90-09865-03	7	3
Package Assembly (Not Shown)	37-01336-01	1	13
Pan, Drip	74-42581-01	6	2
Panel Assembly, Front Access	70-29497-02	2	12
Panel Assembly, Left	70-29438-01	4	3
Panel Assembly, Rear Access	70-29497-01	2	11
Panel Assembly, Right	70-29437-01	4	2
PANEL ASSEMBLY, SIDE	70-28763-01	2	7
PANEL ASSEMBLY, SIDE	70-28763-01	9	N/A
Panel, Side	74-42593-01	9	1
Partition, Storage	74-42562-01	4	4
Pawl	74-43501-01	8	3
Plate, Deflector Air	74-43178-01	7	2
PLENUM ASSEMBLY	70-28762-01	7	N/A
PLENUM ASSEMBLY	70-28762-01	2	6
Plenum, Top	74-42592-01	7	1
Power Cord 120V 15 AMP U.S./Japan/Canada (BN20A-2E)	17-00083-43	1	Not Shown
Power Cord 120V 20 AMP U.S./Japan/Canada (BN27H-2E)	17-00083-53	1	Not Shown
Power Cord 240V Australia/New Zealand (BN22C-2E)	17-00198-11	1	Not Shown
Power Cord 240V Australia/New Zealand (BN27L-2E)	17-00198-16	1	Not Shown
Power Cord 240V Central Europe (BN22D-2E)	17-00199-16	1	Not Shown
Power Cord 240V Central Europe (BN27M-2E)	17-00199-24	1	Not Shown
Power Cord 240V Denmark (BN22H-2E)	17-00310-10	1	Not Shown
Power Cord 240V Denmark (BN27K-2E)	17-00310-11	1	Not Shown
Power Cord 240V India/South Africa (BN22K-2E)	17-00456-13	1	Not Shown
Power Cord 240V India/South Africa (BN27P-2E)	17-00456-18	1	Not Shown
Power Cord 240V Israel (BN22L-2E)	17-00457-13	1	Not Shown
Power Cord 240V Israel (BN27N-2E)	17-00457-18	1	Not Shown
Power Cord 240V Italy (BN22J-2E)	17-00364-13	1	Not Shown
Power Cord 240V Italy (BN27J-2E)	17-00364-20	1	Not Shown
Power Cord 240V Switzerland (BN22F-2E)	17-00210-10	1	Not Shown
Power Cord 240V Switzerland (BN27G-2E)	17-00210-15	1	Not Shown
Power Cord 240V U.K./Ireland (BN22E-2E)	17-00209-13	1	Not Shown
Power Cord 240V U.K./Ireland (BN27Q-2E)	17-00209-20	1	Not Shown
Power Cord 240V U.S./Japan/Canada (BN20B-2E)	17-00083-44	1	Not Shown
Power Cord 240V U.S./Japan/Canada (BN27R-2E)	17-00083-54	1	Not Shown
Power System, 150A DC5	H7885-AA	2	20
Power System, AC Front End FEU 15A	H7853-AA	2	22
Power System, Controller PSC	H7851-AA	2	21
Power System, DC-DC Converter Unit, 3.3V	H7178-AA	2	19

**INDEX BY DEC PART DESCRIPTION**  
**DEC 4000 ENCLOSURES**

DESCRIPTION	DEC PART NO.	FIG. NO.	ITEM NO.
Power System, DC-DC Converter 90 Amps DC5	H7179-AA	2	24
Power System, ZVS Front End FEU 20A	H7884-AA	2	23
Retainer, Caster	74-42582-01	6	3
Rivet, Blind	90-00030-40	4	13
Rivet, Blind	90-00030-89	4	14
Screen, OCP	74-43920-01	10	8
Screw, Flat Hd No. M3.5 x 8MM	90-40188-01	6	16
Screw, Mach Pan Hd No. M 5 x12MM	90-10556-14	8	13
Screw, Mach Pan Hd No. M4 x 12MM	12-35880-02	10	6
Screw, Mach Pan Hd No. M5 x 12MM	90-10556-14	9	3
Screw, Mach Phi Truss Hd No. 3.5 x 20MM	90-10556-17	2	15
Screw, Mach Phi Truss Hd No.M3.5 x 10MM	90-10556-16	3	23
Screw, Machine Phi Pan Hd No. M3.0 x 8MM	90-10961-03	3	22
Screw, Pan Hd No. M3.5 x 8MM	90-00056-11	8	11
Screw, Phi Pan Hd No. 5 x 16 MM	90-10556-07	2	16
Screw, Sems Phi Pan Hd No. 6-32 x 1/2	90-09984-03	5	12
Screw, Sems Phi Pan Hd No. 6-32 x 1/4	90-10174-00	5	11
Screw, Shield No. M5 x 9MM	12-36038-01	6	9
Screw, Shield No. M5 x 9MM	12-36038-01	7	4
Screw, Thrl Pan Hd No. M3.5 x 12MM	90-00056-09	3	24
Screw, Thrl Pan Hd No. M3.5 x 8MM	90-00056-11	6	13
Shelf, Assembly (Middle)	74-43412-01	4	10
Shelf, Removable Media (Bottom)	74-42566-01	4	7
Shelf, Removable Media (Top)	74-42564-01	4	6
Shelf, Storage	74-42563-01	4	5
Shield Backplane	74-42557-01	5	9
Shield, EMI/RFI	12-36084-01	3	17
Spring, Detent	74-43502-01	8	4
STORAGELESS TRAY (DSSI)	70-29491-02	1	22
STORAGELESS TRAY (SCSI)	70-29491-01	1	23
Strip, ESD (Bottom)	74-43179-02	3	10
Strip, ESD (Bottom/I/O)	74-43179-04	3	12
Strip, ESD (I/O)	74-43179-03	3	11
Strip, ESD (Top)	74-43179-01	3	9
Strip, ESD (Top)	74-43179-05	3	13
Switch, Rocker	12-33557-02	10	9
Tape, Foam (Adh. Backed)	90-11254-01	5	14
Tee, Coax	12-25869-01	1	1
Washer, Ext Tooth Lock	90-10591-03	9	4
Washer, Ext. Tooth Lock	90-10591-03	8	14
Washer, Flat	90-40135-01	10	4
Washer, Flat	90-40135-02	2	17
Washer, Flat	90-40189-01	8	12
Washer, Foam (Polyurethane)	90-11248-01	5	13
Washer, Lock	90-40136-01	2	18
Washer, Split-Lock	90-40136-02	10	5