

# ILLUSTRATED PARTS BREAKDOWN

# VAXft SYSTEM Model 110

**ILLUSTRATED PARTS BREAKDOWN (IPB)**

The IPB is used to identify a part and its location in a hardware product. The document references specific item numbers in the associated parts list.

**HOW TO USE THE IPB**

1. Locate the figure containing the item of interest.
2. Locate the number (callout) of the item of interest.
3. Locate that item number in the associated parts list.

**FORMAT**

Each IPB is generally organized based on its first figure. All other assemblies and subassemblies are referenced from this figure. Each figure contains numeric callouts of all major parts (items).

**PARTS LIST**

Each parts list contains the following:

**Figure and Item No.** – Lists the figure number and its referenced numeric callout

**Description** – Presents the name and a brief description of the item. A single asterisk (\*) preceding the description

denotes item is a subassembly to its referenced figure. A double asterisk (\*\*\*) preceding the description indicates that this item is subordinate to the preceding single asterisk item.

**DEC Part No.** – Lists the Digital/Vendor part number. The letter in the column heading indicates the current revision level of the Engineering Drawing for the referenced figure.

**ECO Cut-In** – Lists the top assembly drawing number and revision level at first printing. All additional revisions to an item are listed in this column.

**Used On Code** – Lists letters referring to the product variation assigned in Figure 1. When this column is blank, the item is used in all variations.

**Ref Fig No.** – Lists a cross reference between figures within the IPB.

**PART NUMBER/PART DESCRIPTION INDEX SECTION**

Lists items by part number numerically, and description alphabetically. Items are also referenced to a location within the IPB by figure and item number.

**ECO/REVISION HISTORY**

**OTHER IPB  
MANUALS  
REFERENCED**

FIGURE NO.	ASSEMBLY	INITIAL LEVEL	CURRENT LEVEL	PRINTING DATE	OTHER IPB MANUALS REFERENCED
1	51AAA	00000	00000	20-MAR-92	N/A
2	51BAA	00000	00000		
3	BA22F-A	00000	00000		
4	RF31-HA	00000	00000		
5	RF72-HA	00000	00000		
6	TF70C-RA	00000	00000		

Digital Equipment Corporation reserves the right, without notice, to make substitutions and modifications in the specifications of products documented in this manual and further reserves the right to withdraw any of these products from the market without notice.

Digital Equipment Corporation is not responsible for errors which may appear in the technical description (including illustrations and photographs) of the products covered by this manual.

None of the descriptions contained in this manual imply the granting of any license whatsoever to make, use or sell equipment constructed in accordance therewith.

Restricted Rights: Use, duplication or disclosure by the U.S. Government is subject to restrictions as set forth in subparagraph (c) (1) (ii) of the Rights in Technical Data and Computer Software clause at DFARS 252.227-2713.

Copyright © 1992 by Digital Equipment Corporation. All rights reserved.  
Printed in U.S.A.

The postage-paid READER'S COMMENTS form on the last page of this document requests your critical evaluation to assist us in preparing future documentation.

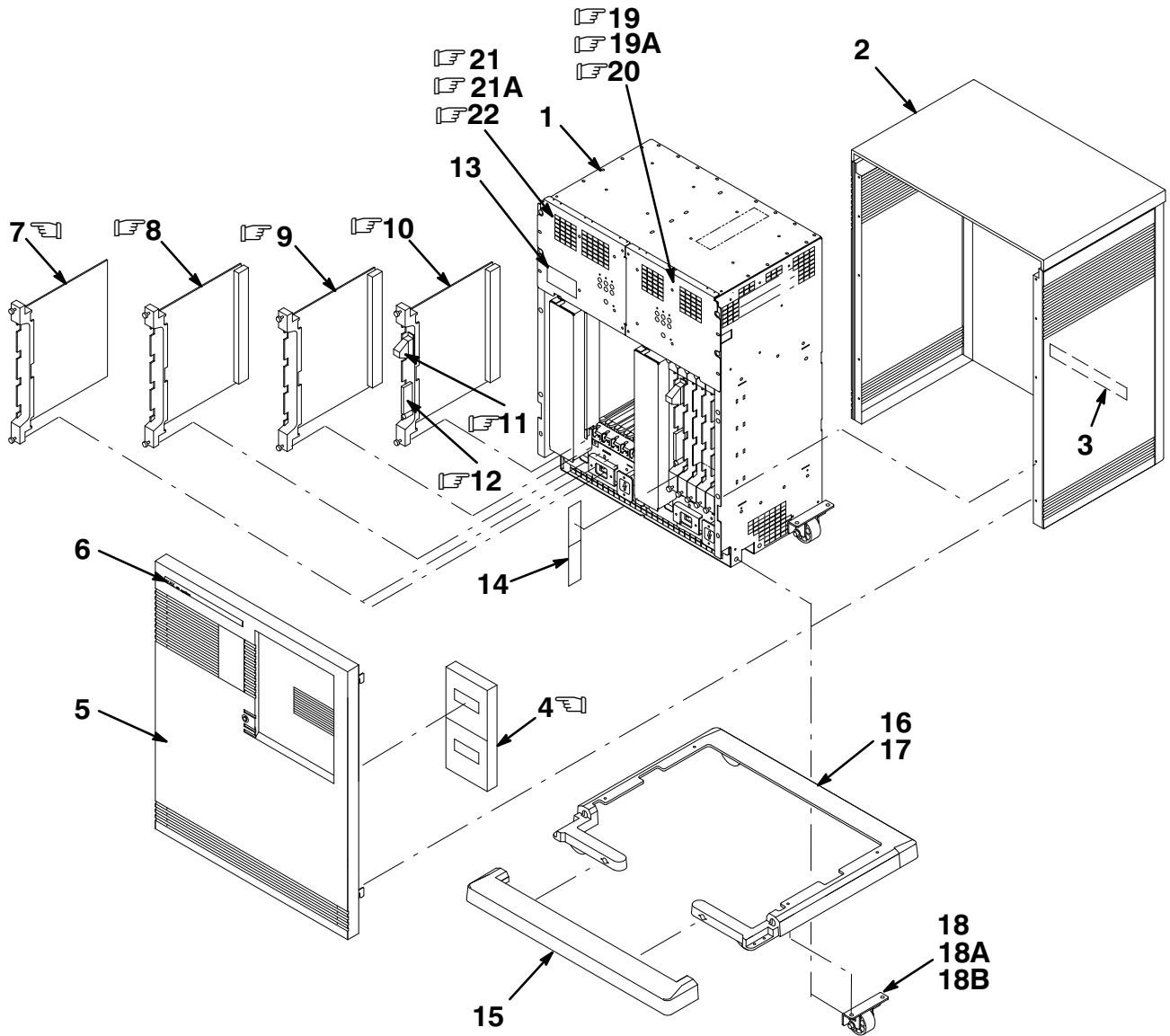
The following are trademarks of Digital Equipment Corporation :

---

DECdirect, VAXft and the DIGITAL logo.

INDICATES FRU LEVEL PARTS.

PARTS LIST



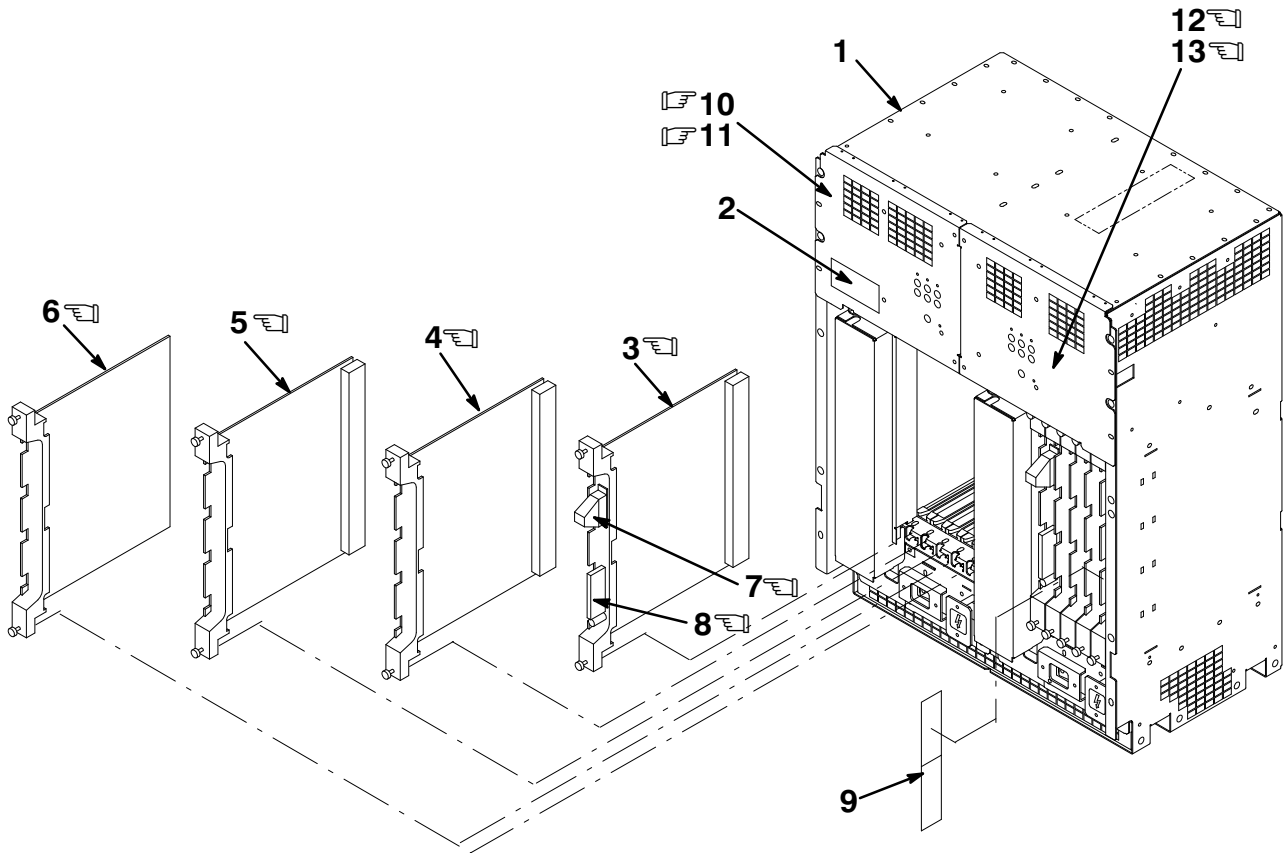
VFT11-01-IL

Figure 1. Pedestal Assembly, VAXft Model 110

FIG. & ITEM NO.	DESCRIPTION	DEC PART NO. <sup>A</sup>	ECO CUT-IN 51AAA 00000	USED ON CODE	REF FIG NO.
1-	PEDESTAL ASSEMBLY, VAXft MODEL 110 PEDESTAL ASSEMBLY, VAXft MODEL 110	51AAA-XE 51AAA-XJ		A B	
1	*CABINET ASSEMBLY, POWER	BA22F-AA		A	3
	*CABINET ASSEMBLY, POWER	BA22F-AB		B	3
2	*Enclosure Assembly	70-29782-01			
3	*Label, Pedestal VAXft 110 (120 V)	36-27838-67		A	
	*Label, Pedestal VAXft 110 (240 V)	36-27838-68		B	
☞4	*Harness Assembly, ESD Wriststrap	12-24023-04			
5	*DOOR ASSEMBLY, FRONT	70-29784-01			
6	*Medallion, "VAXft System Model 110"	74-43802-01			
☞7	*Module, 5200 Filler Test	T3999-AA			
☞8	*Module, 32 MB ECC Single Memory 1 MB DRAM	MS520-BA			
☞9	*Module, 60 NS Fault Tolerant CPU	KA510-AA			
☞10	*Module, Fault Tolerant Ethernet/DSSI Adaptor	KFE52-AA			
☞11	*Connector, D-Sub 25 Position	12-15336-08			
☞12	*Connector, Terminator	12-28976-01			
13	*Label, "Attention Pre-installed Software"	36-28979-01			
14	*Label, Power Cord	36-27840-01			
15	*Cap Assembly, Base	70-27905-02			
16	*Base, Casting	74-44638-01			
17	*Nut, Kep 10-32 x 3/8	90-06565-00			
18	*Bracket Assembly, Wheel	70-28960-01			
18A	*Screw, Machine Pan Hd 1/4-20 x 1/2	90-06056-01			
18B	*Washer, Helical Split	90-07797-00			
☞19	*PANEL, OCP (SEE NOTE)	70-28967-01			
☞19A	**Module, OCP	54-21059-01			
☞20	*STORAGE ELEMENT, RF72 (2 GB, 5 1/4 INCH, FULL HEIGHT DSSI) (OPTIONAL)	RF72-HA			
☞21	*PANEL, OCP (SEE NOTE)	70-28965-01			
☞21A	**Module, OCP	54-21059-01			
☞22	*STORAGE ELEMENT, RF31 (2 GB, 5 1/4 INCH, HALF HEIGHT DSSI) (OPTIONAL)	RF31-HA			
	NOTE: OCP Panels, Items 19 and 21, must be removed to install Storage Elements, Items 20 and 22, and must be replaced after installation.				
	ITEMS (Not Shown) (Shipped Separately in Poly Bag w/System)				
	*Cable, X-Link 50 Cond	17-02194-01			
	*Cord, Power 8 ft. 120 V	17-00083-43			
	*Cable Assembly, Oval 6 Cond	17-00811-05			
	LABELS (Not Shown)				
	*Label, EMI Postcard, German	36-35900-09			

☞ ☞ INDICATES FRU LEVEL PARTS.

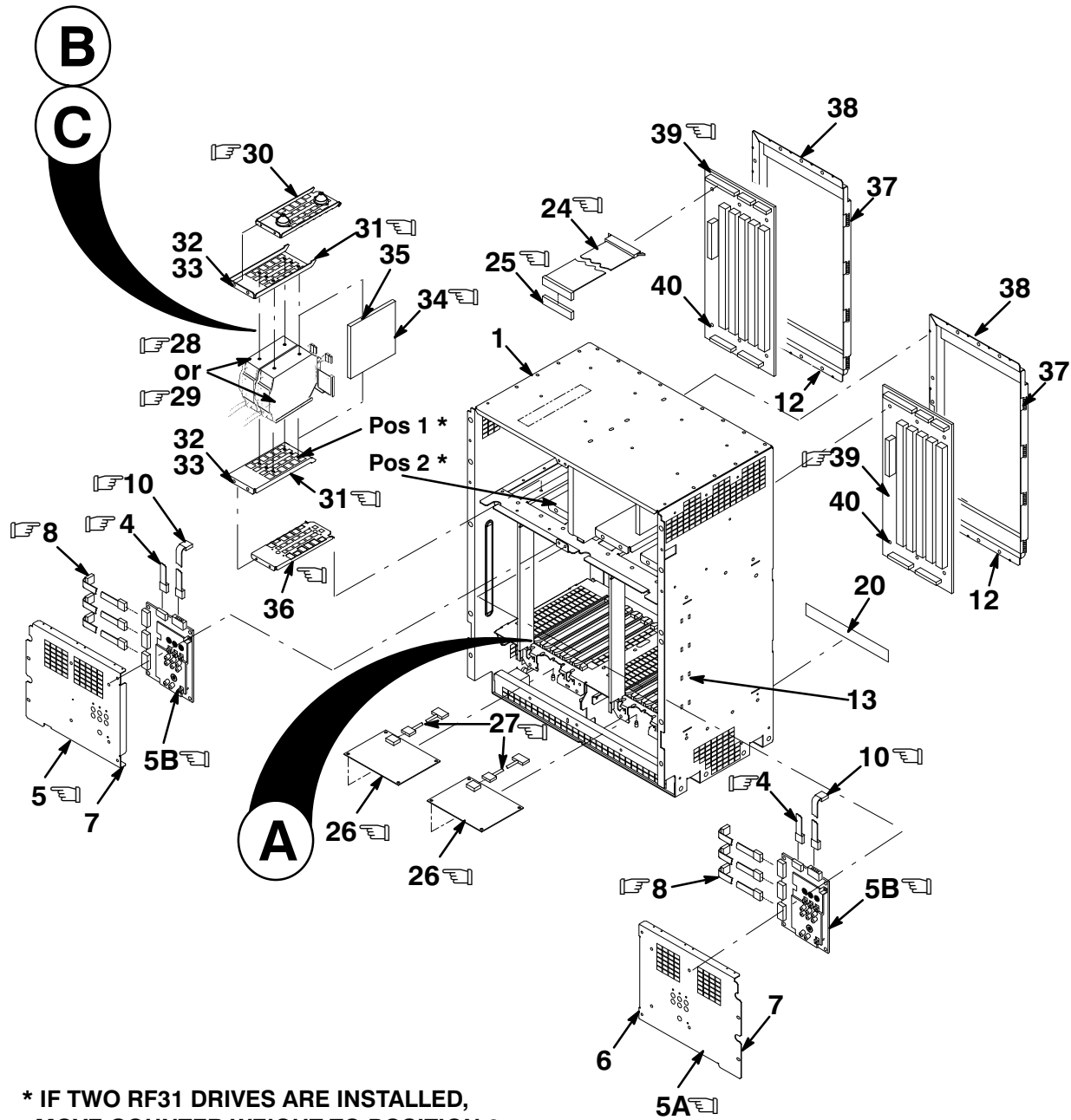
PARTS LIST



VFT11-02-IL

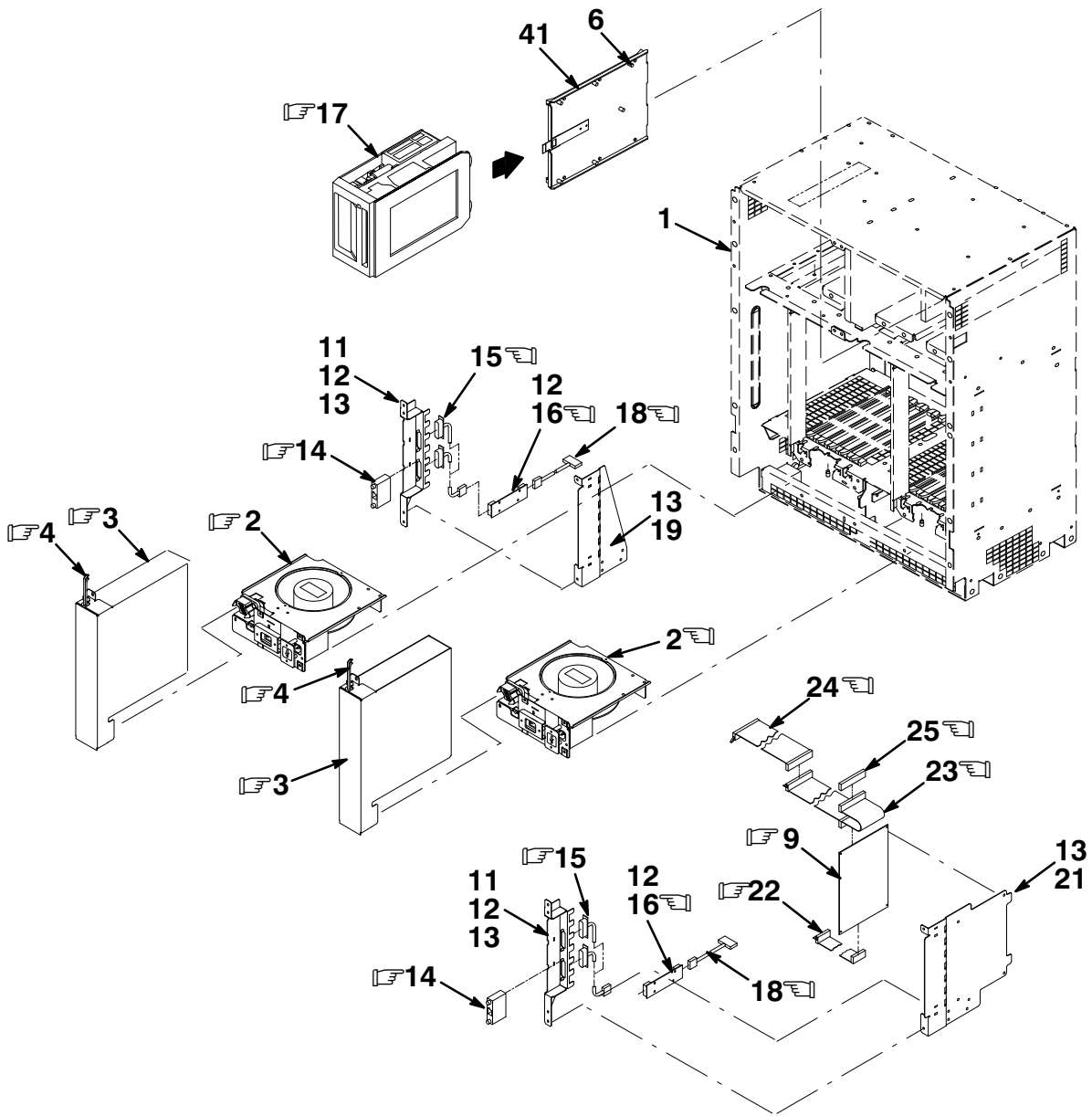
Figure 2. Rackmount Assembly, VAXft Model 110

FIG. & ITEM NO.	DESCRIPTION	DEC PART NO. <sup>A</sup>	ECO CUT-IN 51BAA 00000	USED ON CODE	REF FIG NO.
2-	RACKMOUNT ASSEMBLY, VAXft MODEL 110 RACKMOUNT ASSEMBLY, VAXft MODEL 110	51BAA-XE 51BAA-XJ		A B	
1	*CABINET ASSEMBLY, POWER	BA22F-AA		A	3
	*CABINET ASSEMBLY, POWER	BA22F-AB		B	3
2	*Label, "Attention Pre-installed Software"	36-28979-01			
☞3	*Module, Fault Tolerant Ethernet/DSSI Adaptor	KFE52-AA			
☞4	*Module, 60 NS Fault Tolerant CPU	KA510-AA			
☞5	*Module, 32 MB ECC Single Memory 1 MB DRAM	MS520-BA			
☞6	*Module, 5200 Filler Test	T3999-AA			
☞7	*Connector, D-Sub 25 Position	12-15336-08			
☞8	*Connector, Terminator	12-28976-01			
9	*Label, Power Cord	36-27840-01			
☞10	*PANEL, OCP (SEE NOTE)	70-28967-01			
☞10A	**Module, OCP	54-21059-01			
☞11	* STORAGE ELEMENT, RF72 (2 GB, 5 1/4 INCH, FULL HEIGHT DSSI) (OPTIONAL)	RF72-HA			
☞12	*Panel, OCP (See Note)	70-28965-01			
☞12A	**Module, OCP	54-21059-01			
☞13	*STORAGE ELEMENT, RF31 (2 GB, 5 1/4 INCH, HALF HEIGHT DSSI) (OPTIONAL)	RF31-HA			
	<b>NOTE: OCP Panels, Items 10 and 12, must be removed to install Storage Elements, Items 11 and 13, and must be replaced after installation.</b>				
	<b>ITEMS (Not Shown)</b> <b>(Shipped Separately in Poly Bag w/System)</b>				
	*Cable, X-Link 50 Cond	17-02194-01			
	*Cord, Power 8 ft. 120 V	17-00083-43			
	*Cable Assembly, Oval 6 Cond	17-00811-02			
	*Harness Assembly, ESD Wriststrap	12-24023-04			
	<b>LABELS (Not Shown)</b>				
	*Label, EMI Postcard, German	36-35900-09			



VFT11-03-IL

Figure 3. Cabinet Assembly, Power (Sheet 1 of 4)



A

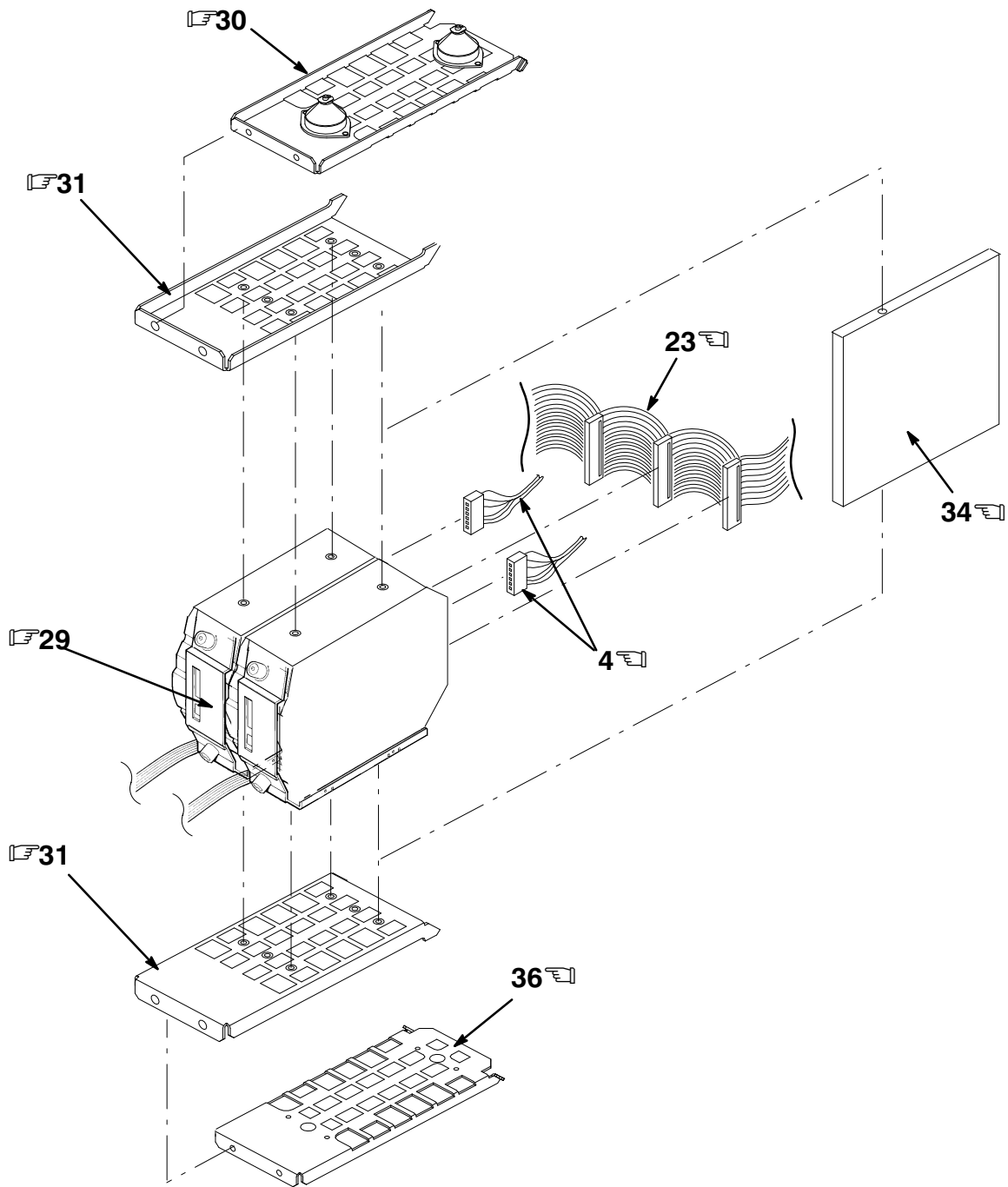
VFT11-03A-IL

Figure 3. Cabinet Assembly, Power (Sheet 2 of 4)



INDICATES FRU LEVEL PARTS.

PARTS LIST



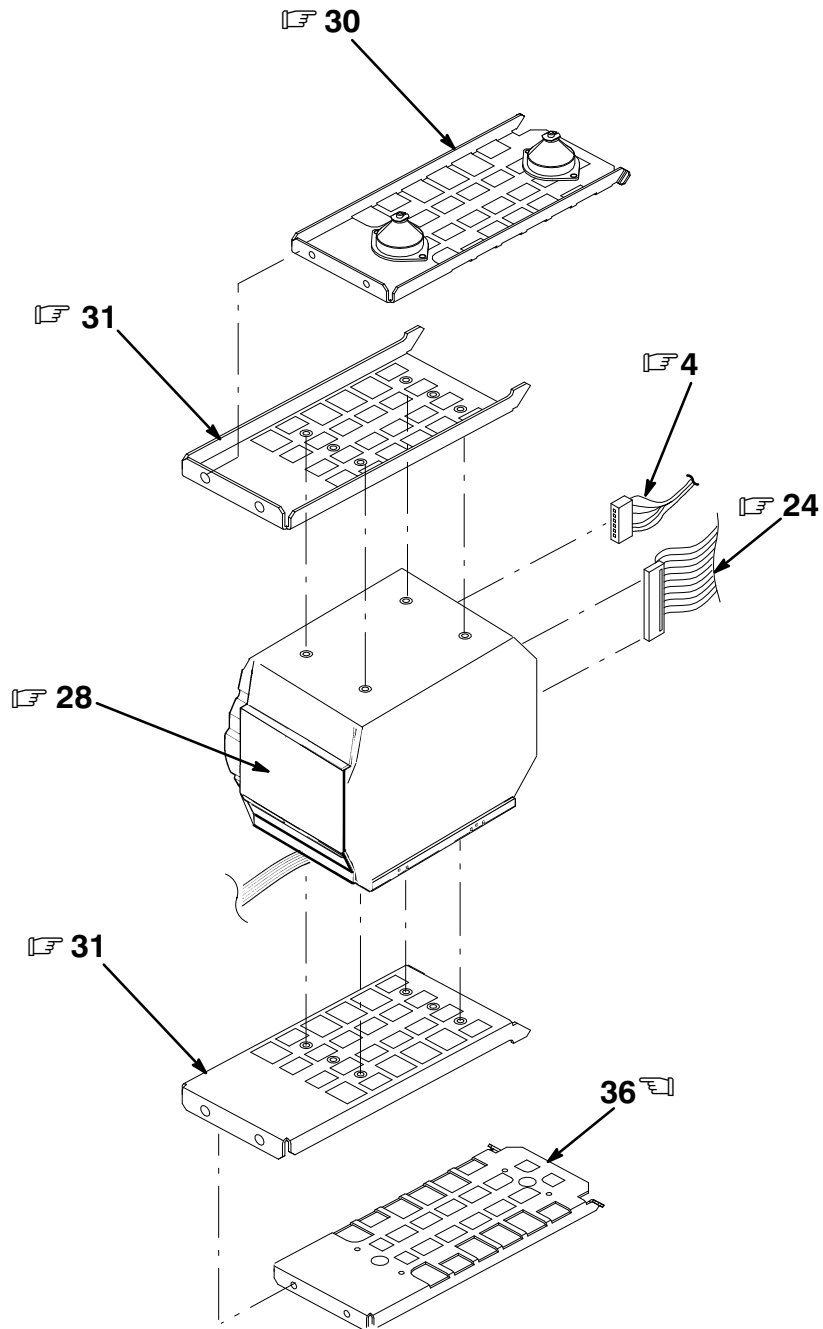
**B**

VFT11-03B-IL

Figure 3. Cabinet Assembly, Power (Sheet 3 of 4)

☞ ☞ INDICATES FRU LEVEL PARTS.

PARTS LIST



**C**

VFT11-03C-IL

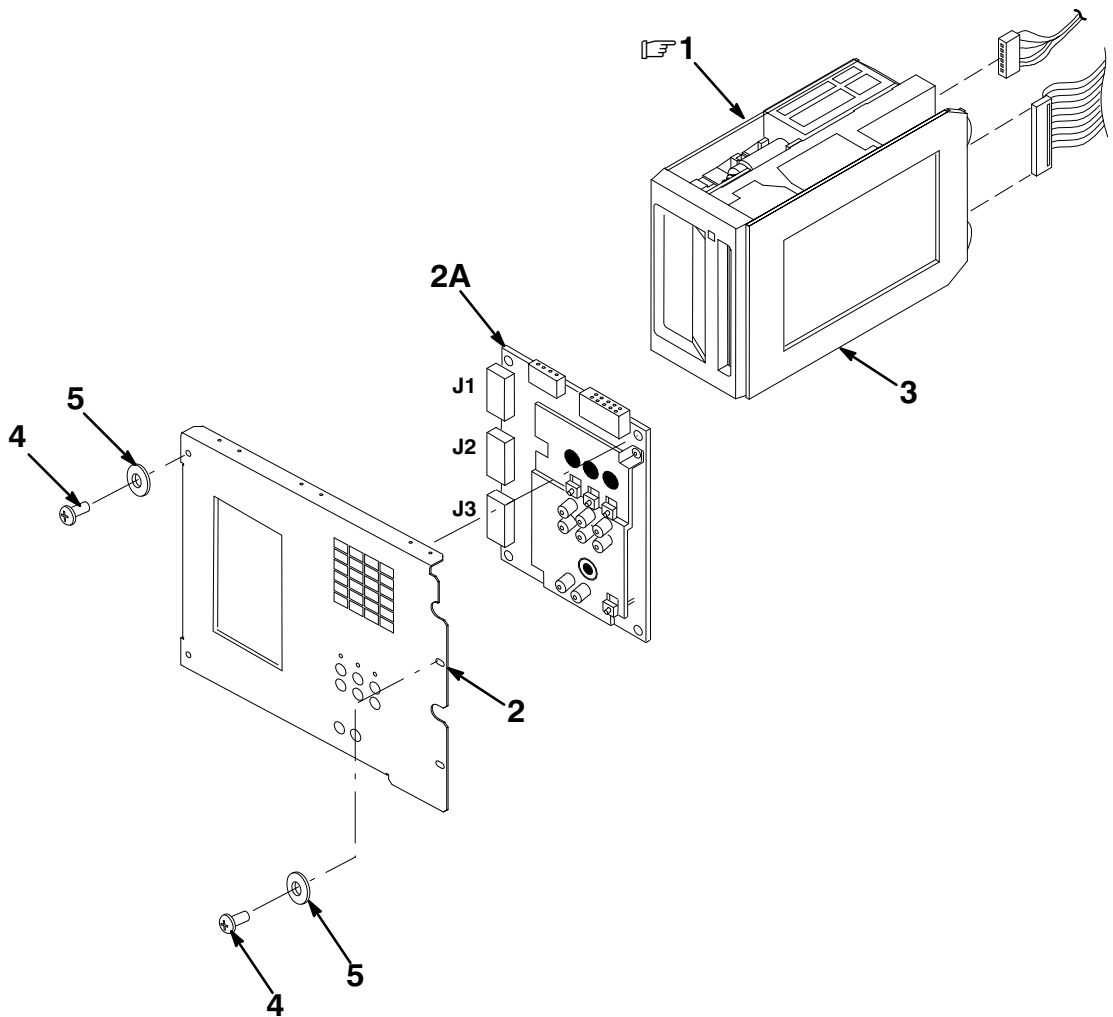
Figure 3. Cabinet Assembly, Power (Sheet 4 of 4)

FIG.& ITEM NO.	DESCRIPTION	DEC PART NO.	A ECO CUT-IN BA22F-A 00000	USED ON CODE	REF FIG NO.
3-	CABINET ASSEMBLY, POWER (120V)	BA22F-AA		A	1,2
	CABINET ASSEMBLY, POWER (240V)	BA22F-AB		B	1,2
1	*Frame Assembly	70-28958-01			
☞2	*Fan Tray Assembly (120V)	70-28962-01		A	
	*Fan Tray Assembly (240V)	70-28962-02		B	
☞3	*Power Supply Assembly (120V)	H7868-A		A	
	*Power Supply Assembly (240V)	H7868-B		B	
☞4	*Harness Assembly, Power Distribution	17-03200-01			
☞5	*PANEL ASSEMBLY, OCP (LEFT)	74-28965-01			
☞5A	*PANEL ASSEMBLY, OCP (RIGHT)	74-28967-01			
☞5B	**Module, OCP	54-17637-01			
6	*Screw, Machine Phl Pan Hd No. 6-32 x 3/8	90-06022-01			
7	*Washer, Flat	90-06659-00			
☞8	*Cable Assembly, OCP to RFXX Drives	17-01936-01			
☞9	*Module, TFK70 Controller	54-19085-01			
☞10	*Cable Assembly, OCP to Backplane	17-01964-01			
11	*Bulkhead, Modem	74-42946-01			
12	*Screw, Machine Phl Pan Hd No. 6-32 x 1/4	90-06020-01			
13	*Finger, Grounding	12-26922-01			
☞14	*Adaptor, 25 Pin with EOS	H8575-A			
☞15	*Cable Assembly, Bulkhead to Console Prot.	17-03297-01			
☞16	*Module, Console Protection	54-19491-01			
☞17	*DRIVE KIT ASSEMBLY, TF70C	TF70C-RA			6
☞18	*Harness Assembly, Console Prot. Panel to Backplane	17-03296-01			
19	*Plate, Modem (Center)	74-42948-01			
20	*Label, Pedestal (120V)	36-27838-67		A	
	*Label, Pedestal (240V)	36-27838-68		B	
21	*Plate, Modem (Right)	74-42946-01			
☞22	*Cable Assembly, Drive Control Module to Drive	17-03199-01			
☞23	*Cable Assembly, Tape Extension DSSI	17-03334-01			
☞24	*Cable Assembly, DSSI	17-03333-01			
☞25	*Connector, Terminator	12-28976-01			
☞26	*Module, DC to DC Converter	54-20074-01			
☞27	*Cable Assembly, DC to DC Module to Backplane	17-03296-01			
☞28	* STORAGE ELEMENT, RF72 (2 GB, 5 1/4 INCH, FULL HEIGHT DSSI) (OPTIONAL)	RF72-HA			
☞29	*STORAGE ELEMENT, RF31 (2 GB, 5 1/4 INCH, HALF HEIGHT DSSI) (OPTIONAL)	RF31-HA			
☞30	*Bracket, Dual RF31 or Single RF72 Shockmount	70-28969-01			
☞31	*Bracket, Dual RF31 or Single RF72	74-42954-01			

FIG. & ITEM NO.	DESCRIPTION	A DEC PART NO.	ECO CUT-IN BA22F-A 00000	USED ON CODE	REF FIG NO.
3-					
32	*Screw, Machine Flat Hd No. 6-32 x 5/32	90-00039-28			
33	*Nut, Hex Hd No. 6-32	90-06558-00			
☞ 34	*Counter Weight, RF31 (See Note)	74-43838-01			
35	*Screw, Machine Flat Hd No. 6-32 x 3/8	90-06022-02			
☞ 36	*Bracket, Dual RF31 or Single RF72 Shockmount	70-28969-02			
37	*Fingerstock	12-26200-02			
38	*Cover, Rear	74-42945-01			
☞ 39	*Module, Backplane	54-20251-01			
40	*Screw, Machine Phl Pan Hd No. 10-32 x 1 Inch	90-06022-02			
41	*Bracket, TF70C Tape Drive	70-28959-01			
	<p data-bbox="305 678 841 772">NOTE: Item 34, Counter Weight to be used only if two item 29, RF31 Storage Elements are installed.</p> <p data-bbox="383 814 633 846">ITEMS (Not Shown)</p> <p data-bbox="289 888 857 1024">*Clamp, Cable 90-09636-00 *Clip, Cable 12-21249-01 *Grommet 12-25469-01 *Screw, Machine Phl Pan Hd No. 4-40 x 5/32 90-08032-01</p>				

☞ INDICATES FRU LEVEL PARTS.

PARTS LIST



VFT11-04-IL

Figure 4. Drive Kit Assembly, TF70C

FIG. & ITEM NO.	DESCRIPTION	DEC PART NO. <sup>A</sup>	ECO CUT-IN TF70C 00000	USED ON CODE	REF FIG NO.
4-	DRIVE KIT ASSEMBLY, TF70C	TF70C-RA			1,2,3
1	*Drive, TK70 w/o Skid Plate and Cartridge	TK70-EA			
2	*PANEL ASSEMBLY, OCP TAPE (RIGHT)	70-28966-01			
2A	**Module, OCP	54-17637-01			
3	*Insulator Assembly	70-21765-01			
4	*Screw, Machine Phl Pan Hd No. 6-32 x 3/8	74-40399-01			
5	*Washer, Lock	90-09882-00			

Ω

**PART NUMBER/DESCRIPTION INDEX** 

**INDEX BY DEC PART NUMBER**  
**VAXft SYSTEM Model 110**

PART NO.	DESCRIPTION	FIG NO.	ITEM NO.
12-15336-08	Connector, D-Sub 25 Position	1	11
12-15336-08	Connector, D-Sub 25 Position	2	7
12-21249-01	Clip, Cable	3	Not Shown
12-24023-04	Harness Assembly, ESD Wriststrap	1	4
12-24023-04	Harness Assembly, ESD Wriststrap	2	Not Shown
12-25469-01	Grommet	3	Not Shown
12-26200-02	Fingerstock	3	37
12-26922-01	Finger, Grounding	3	13
12-28976-01	Connector, Terminator	3	25
12-28976-01	Connector, Terminator	1	12
12-28976-01	Connector, Terminator	2	8
17-00083-43	Cord, Power 8 ft. 120 V	1	Not Shown
17-00083-43	Cord, Power 8 ft. 120 V	2	Not Shown
17-00811-02	Cable Assembly, Oval 6 Cond	2	Not Shown
17-00811-05	Cable Assembly, Oval 6 Cond	1	Not Shown
17-01936-01	Cable Assembly, OCP to RFXX Drives	3	8
17-01964-01	Cable Assembly, OCP to Backplane	3	10
17-02194-01	Cable, X-Link 50 Cond	1	Not Shown
17-02194-01	Cable, X-Link 50 Cond	2	Not Shown
17-03199-01	Cable Assembly, Drive Control Module to Drive	3	22
17-03200-01	Harness Assembly, Power Distribution	3	4
17-03296-01	Harness Assembly, Console Prot. Panel to Backplane	3	18
17-03296-01	Cable Assembly, DC to DC Module to Backplane	3	27
17-03297-01	Cable Assembly, Bulkhead to Console Prot.	3	15
17-03333-01	Cable Assembly, DSSI	3	24
17-03334-01	Cable Assembly, Tape Extension DSSI	3	23
36-27838-67	Label, Pedestal VAXft 110 (120 V)	1	3
36-27838-67	Label, Pedestal (120V)	3	20
36-27838-68	Label, Pedestal VAXft 110 (240 V)	1	3
36-27838-68	Label, Pedestal (240V)	3	20
36-27840-01	Label, Power Cord	1	14
36-27840-01	Label, Power Cord	2	9
36-28979-01	Label, "Attention Pre-installed Software"	1	13
36-28979-01	Label, "Attention Pre-installed Software"	2	2
36-35900-09	Label, EMI Postcard, German	1	Not Shown
36-35900-09	Label, EMI Postcard, German	2	Not Shown
51AAA-XE	PEDESTAL ASSEMBLY, VAXft MODEL 110	1	N/A
51AAA-XJ	PEDESTAL ASSEMBLY, VAXft MODEL 110	1	N/A
51BAA-XE	RACKMOUNT ASSEMBLY, VAXft MODEL 110	2	N/A
51BAA-XJ	RACKMOUNT ASSEMBLY, VAXft MODEL 110	2	N/A
54-17637-01	Module, OCP	4	2A
54-17637-01	Module, OCP	3	5B
54-19085-01	Module, TFK70 Controller	3	9
54-19491-01	Module, Console Protection	3	16
54-20074-01	Module, DC to DC Converter	3	26
54-20251-01	Module, Backplane	3	39
54-21059-01	Module, OCP	1	21A
54-21059-01	Module, OCP	2	10A
54-21059-01	Module, OCP	1	19A
54-21059-01	Module, OCP	2	12A



**INDEX BY DEC PART NUMBER**  
VAXft SYSTEM Model 110

PART NO.	DESCRIPTION	FIG NO.	ITEM NO.
70-21765-01	Insulator Assembly	4	3
70-27905-02	Cap Assembly, Base	1	15
70-28958-01	Frame Assembly	3	1
70-28959-01	Bracket, TF70C Tape Drive	3	41
70-28960-01	Bracket Assembly, Wheel	1	18
70-28962-01	Fan Tray Assembly (120V)	3	2
70-28962-02	Fan Tray Assembly (240V)	3	2
70-28965-01	Panel, OCP	1	21
70-28965-01	Panel, OCP	2	12
70-28966-01	Panel Assembly, OCP Tape (Right)	4	2
70-28967-01	Panel, OCP	2	10
70-28967-01	Panel, OCP	1	19
70-28969-01	Bracket, Dual RF31 or Single RF72 Shockmount	3	30
70-28969-02	Bracket, Dual RF31 or Single RF72 Shockmount	3	36
70-29782-01	Enclosure Assembly	1	2
70-29784-01	DOOR ASSEMBLY, FRONT	1	5
74-28965-01	Panel Assembly, OCP (Left)	3	5
74-28967-01	Panel Assembly, OCP (Right)	3	5A
74-40399-01	Screw, Machine Phi Pan Hd No. 6-32 x 3/8	4	4
74-42945-01	Cover, Rear	3	38
74-42946-01	Bulkhead, Modem	3	11
74-42946-01	Plate, Modem (Right)	3	21
74-42948-01	Plate, Modem (Center)	3	19
74-42954-01	Bracket, Dual RF31 or Single RF72	3	31
74-43802-01	Medallion, "VAXft System Model 110"	1	6
74-43838-01	Counter Weight, RF31	3	34
74-44638-01	Base, Casting	1	16
90-00039-28	Screw, Machine Flat Hd No. 6-32 x 5/32	3	32
90-06020-01	Screw, Machine Phi Pan Hd No. 6-32 x 1/4	3	12
90-06022-01	Screw, Machine Phi Pan Hd No. 6-32 x 3/8	3	6
90-06022-02	Screw, Machine Phi Pan Hd No. 10-32 x 1 Inch	3	40
90-06022-02	Screw, Machine Flat Hd No. 6-32 x 3/8	3	35
90-06056-01	Screw, Machine Pan Hd 1/4-20 x 1/2	1	18A
90-06558-00	Nut, Hex Hd No. 6-32	3	33
90-06565-00	Nut, Kep 10-32 x 3/8	1	17
90-06659-00	Washer, Flat	3	7
90-07797-00	Washer, Helical Split	1	18B
90-08032-01	Screw, Machine Phi Pan Hd No. 4-40 x 5/32	3	Not Shown
90-09636-00	Clamp, Cable	3	Not Shown
90-09882-00	Washer, Lock	4	5
BA22F-AA	CABINET ASSEMBLY, POWER	1	1
BA22F-AA	CABINET ASSEMBLY, POWER (120V)	3	N/A
BA22F-AA	CABINET ASSEMBLY, POWER	2	1
BA22F-AB	CABINET ASSEMBLY, POWER (240V)	3	N/A
BA22F-AB	CABINET ASSEMBLY, POWER	1	1
BA22F-AB	CABINET ASSEMBLY, POWER	2	1
H7868-A	Power Supply Assembly (120V)	3	3
H7868-B	Power Supply Assembly (240V)	3	3
H8575-A	Adaptor, 25 Pin with EOS	3	14
KA510-AA	Module, 60 NS Fault Tolerant CPU	2	4
KA510-AA	Module, 60 NS Fault Tolerant CPU	1	9

**INDEX BY DEC PART NUMBER**  
**VAXft SYSTEM Model 110**

PART NO.	DESCRIPTION	FIG NO.	ITEM NO.
KFE52-AA	Module, Fault Tolerant Ethernet/DSSI Adaptor	1	10
KFE52-AA	Module, Fault Tolerant Ethernet/DSSI Adaptor	2	3
MS520-BA	Module, 32 MB ECC Single Memory 1 MB DRAM	2	5
MS520-BA	Module, 32 MB ECC Single Memory 1 MB DRAM	1	8
RF31-HA	STORAGE ELEMENT, RF31 (2 GB, 5 1/4 INCH, HALF HEIGHT DSSI) (OPTIONAL)	1	22
RF31-HA	STORAGE ELEMENT, RF31 (2 GB, 5 1/4 INCH, HALF HEIGHT DSSI) (OPTIONAL)	3	29
RF31-HA	STORAGE ELEMENT, RF31 (2 GB, 5 1/4 INCH, HALF HEIGHT DSSI) (OPTIONAL)	2	13
RF72-HA	STORAGE ELEMENT, RF72 (2 GB, 5 1/4 INCH, FULL HEIGHT DSSI) (OPTIONAL)	1	20
RF72-HA	STORAGE ELEMENT, RF72 (2 GB, 5 1/4 INCH, FULL HEIGHT DSSI) (OPTIONAL)	2	11
RF72-HA	STORAGE ELEMENT, RF72 (2 GB, 5 1/4 INCH, FULL HEIGHT DSSI) (OPTIONAL)	3	28
T3999-AA	Module, 5200 Filler Test	2	6
T3999-AA	Module, 5200 Filler Test	1	7
TF70C-RA	DRIVE KIT ASSEMBLY, TF70C	4	N/A
TF70C-RA	DRIVE KIT ASSEMBLY, TF70C	3	17
TK70-EA	Drive, TK70 w/o Skid Plate and Cartridge	4	1

# INDEX BY DEC PART DESCRIPTION

VAXft SYSTEM Model 110

DESCRIPTION	DEC PART NO.	FIG. NO.	ITEM NO.
Adaptor, 25 Pin with EOS	H8575-A	3	14
Base, Casting	74-44638-01	1	16
Bracket Assembly, Wheel	70-28960-01	1	18
Bracket, Dual RF31 or Single RF72	74-42954-01	3	31
Bracket, Dual RF31 or Single RF72 Shockmount	70-28969-02	3	36
Bracket, Dual RF31 or Single RF72 Shockmount	70-28969-01	3	30
Bracket, TF70C Tape Drive	70-28959-01	3	41
Bulkhead, Modem	74-42946-01	3	11
CABINET ASSEMBLY, POWER	BA22F-AA	1	1
CABINET ASSEMBLY, POWER	BA22F-AA	2	1
CABINET ASSEMBLY, POWER	BA22F-AB	2	1
CABINET ASSEMBLY, POWER	BA22F-AB	1	1
CABINET ASSEMBLY, POWER (120V)	BA22F-AA	3	N/A
CABINET ASSEMBLY, POWER (240V)	BA22F-AB	3	N/A
Cable Assembly, Bulkhead to Console Prot.	17-03297-01	3	15
Cable Assembly, DC to DC Module to Backplane	17-03296-01	3	27
Cable Assembly, Drive Control Module to Drive	17-03199-01	3	22
Cable Assembly, DSSI	17-03333-01	3	24
Cable Assembly, OCP to Backplane	17-01964-01	3	10
Cable Assembly, OCP to RFX Drives	17-01936-01	3	8
Cable Assembly, Oval 6 Cond	17-00811-05	1	Not Shown
Cable Assembly, Oval 6 Cond	17-00811-02	2	Not Shown
Cable Assembly, Tape Extension DSSI	17-03334-01	3	23
Cable, X-Link 50 Cond	17-02194-01	1	Not Shown
Cable, X-Link 50 Cond	17-02194-01	2	Not Shown
Cap Assembly, Base	70-27905-02	1	15
Clamp, Cable	90-09636-00	3	Not Shown
Clip, Cable	12-21249-01	3	Not Shown
Connector, D-Sub 25 Position	12-15336-08	2	7
Connector, D-Sub 25 Position	12-15336-08	1	11
Connector, Terminator	12-28976-01	3	25
Connector, Terminator	12-28976-01	1	12
Connector, Terminator	12-28976-01	2	8
Cord, Power 8 ft. 120 V	17-00083-43	1	Not Shown
Cord, Power 8 ft. 120 V	17-00083-43	2	Not Shown
Counter Weight, RF31	74-43838-01	3	34
Cover, Rear	74-42945-01	3	38
DOOR ASSEMBLY, FRONT	70-29784-01	1	5
DRIVE KIT ASSEMBLY, TF70C	TF70C-RA	3	17
DRIVE KIT ASSEMBLY, TF70C	TF70C-RA	4	N/A
Drive, TK70 w/o Skid Plate and Cartridge	TK70-EA	4	1
Enclosure Assembly	70-29782-01	1	2
Fan Tray Assembly (120V)	70-28962-01	3	2
Fan Tray Assembly (240V)	70-28962-02	3	2
Finger, Grounding	12-26922-01	3	13
Fingerstock	12-26200-02	3	37
Frame Assembly	70-28958-01	3	1
Grommet	12-25469-01	3	Not Shown
Harness Assembly, Console Prot. Panel o Backplane	17-03296-01	3	18
Harness Assembly, ESD Wriststrap	12-24023-04	1	4

# INDEX BY DEC PART DESCRIPTION

VAXft SYSTEM Model 110

DESCRIPTION	DEC PART NO.	FIG. NO.	ITEM NO.
Harness Assembly, ESD Wriststrap	12-24023-04	2	Not Shown
Harness Assembly, Power Distribution	17-03200-01	3	4
Insulator Assembly	70-21765-01	4	3
Label, "Attention Pre-installed Software"	36-28979-01	1	13
Label, "Attention Pre-installed Software"	36-28979-01	2	2
Label, EMI Postcard, German	36-35900-09	2	Not Shown
Label, EMI Postcard, German	36-35900-09	1	Not Shown
Label, Pedestal (120V)	36-27838-67	3	20
Label, Pedestal (240V)	36-27838-68	3	20
Label, Pedestal VAXft 110 (120 V)	36-27838-67	1	3
Label, Pedestal VAXft 110 (240 V)	36-27838-68	1	3
Label, Power Cord	36-27840-01	1	14
Label, Power Cord	36-27840-01	2	9
Medallion, "VAXft System Model 110"	74-43802-01	1	6
Module, 32 MB ECC Single Memory 1 MB DRAM	MS520-BA	1	8
Module, 32 MB ECC Single Memory 1 MB DRAM	MS520-BA	2	5
Module, 5200 Filler Test	T3999-AA	2	6
Module, 5200 Filler Test	T3999-AA	1	7
Module, 60 NS Fault Tolerant CPU	KA510-AA	1	9
Module, 60 NS Fault Tolerant CPU	KA510-AA	2	4
Module, Backplane	54-20251-01	3	39
Module, Console Protection	54-19491-01	3	16
Module, DC to DC Converter	54-20074-01	3	26
Module, Fault Tolerant Ethernet/DSSI Adaptor	KFE52-AA	2	3
Module, Fault Tolerant Ethernet/DSSI Adaptor	KFE52-AA	1	10
Module, OCP	54-17637-01	4	2A
Module, OCP	54-21059-01	1	21A
Module, OCP	54-17637-01	3	5B
Module, OCP	54-21059-01	2	12A
Module, OCP	54-21059-01	2	10A
Module, OCP	54-21059-01	1	19A
Module, TFK70 Controller	54-19085-01	3	9
Nut, Hex Hd No. 6-32	90-06558-00	3	33
Nut, Kep 10-32 x 3/8	90-06565-00	1	17
Panel Assembly, OCP (Left)	74-28965-01	3	5
Panel Assembly, OCP (Right)	74-28967-01	3	5A
Panel Assembly, OCP Tape (Right)	70-28966-01	4	2
Panel, OCP	70-28967-01	2	10
Panel, OCP	70-28965-01	1	21
Panel, OCP	70-28967-01	1	19
Panel, OCP	70-28965-012	2	12
PEDESTAL ASSEMBLY, VAXft MODEL 110	51AAA-XE	1	N/A
PEDESTAL ASSEMBLY, VAXft MODEL 110	51AAA-XJ	1	N/A
Plate, Modem (Center)	74-42948-01	3	19
Plate, Modem (Right)	74-42946-01	3	21
Power Supply Assembly (120V)	H7868-A	3	3
Power Supply Assembly (240V)	H7868-B	3	3
RACKMOUNT ASSEMBLY, VAXft MODEL 110	51BAA-XE	2	N/A
RACKMOUNT ASSEMBLY, VAXft MODEL 110	51BAA-XJ	2	N/A
Screw, Machine Flat Hd No. 6-32 x 3/8	90-06022-02	3	35
Screw, Machine Flat Hd No. 6-32 x 5/32	90-00039-28	3	32

## INDEX BY DEC PART DESCRIPTION

VAXft SYSTEM Model 110

DESCRIPTION	DEC PART NO.	FIG. NO.	ITEM NO.
Screw, Machine Pan Hd 1/4-20 x 1/2	90-06056-01	1	18A
Screw, Machine Phi Pan Hd No. 10-32 x 1 Inch	90-06022-02	3	40
Screw, Machine Phi Pan Hd No. 4-40 x 5/32	90-08032-01	3	Not Shown
Screw, Machine Phi Pan Hd No. 6-32 x 1/4	90-06020-01	3	12
Screw, Machine Phi Pan Hd No. 6-32 x 3/8	90-06022-01	3	6
Screw, Machine Phi Pan Hd No. 6-32 x 3/8	74-40399-01	4	4
STORAGE ELEMENT, RF31 (2 GB, 5 1/4 INCH, HALF HEIGHT DSSI) (OPTIONAL)	RF31-HA	2	13
STORAGE ELEMENT, RF31 (2 GB, 5 1/4 INCH, HALF HEIGHT DSSI) (OPTIONAL)	RF31-HA	3	29
STORAGE ELEMENT, RF31 (2 GB, 5 1/4 INCH, HALF HEIGHT DSSI) (OPTIONAL)	RF31-HA	1	22
STORAGE ELEMENT, RF72 (2 GB, 5 1/4 INCH, FULL HEIGHT DSSI) (OPTIONAL)	RF72-HA	2	11
STORAGE ELEMENT, RF72 (2 GB, 5 1/4 INCH, FULL HEIGHT DSSI) (OPTIONAL)	RF72-HA	3	28
STORAGE ELEMENT, RF72 (2 GB, 5 1/4 INCH, FULL HEIGHT DSSI) (OPTIONAL)	RF72-HA	1	20
Washer, Flat	90-06659-00	3	7
Washer, Helical Split	90-07797-00	1	18B
Washer, Lock	90-09882-00	4	5

# READER'S COMMENTS

VAXft SYSTEM Model 110  
Illustrated Parts Breakdown  
EK-FTV11-IP-001

## 1. How did you use this manual? (Circle your response.)

- (a) Installation                      (c) Maintenance                      (e) Training  
(b) Operation/Use                      (d) Programming                      (f) Other (Please specify) \_\_\_\_\_

## 2. Did the manual meet your needs? Yes No Why? \_\_\_\_\_

## 3. Please rate the manual on the following categories. (Circle your response.)

	Excellent	Good	Fair	Poor	Unacceptable
Accuracy	5	4	3	2	1
Clarity	5	4	3	2	1
Completeness	5	4	3	2	1
Illustrations, examples	5	4	3	2	1
Overall ease of use	5	4	3	2	1
Table of Content, Index	5	4	3	2	1

## 4. What things did you like *most* about this manual? \_\_\_\_\_

## 5. What things did you like *least* about this manual? \_\_\_\_\_

## 6. Please list and describe any errors you found in the manual.

Page	Description/Location of Error
_____	_____
_____	_____
_____	_____
_____	_____

## 7. Which of the following most clearly describes your job ? (Circle your response.)

- (a) Administrative Support                      (e) System Manager                      (i) Education/Trainer  
(b) Manager/Supervisor                      (f) Computer Operator                      (j) Sales/Marketing  
(c) Scientist/Engineer                      (g) Software Support                      (k) Other (Please specify)  
(d) Programmer/Analyst                      (h) Hardware Support                      \_\_\_\_\_

### OPTIONAL INFORMATION

Name \_\_\_\_\_ Job Title \_\_\_\_\_

Street \_\_\_\_\_ Company \_\_\_\_\_

City \_\_\_\_\_ Department \_\_\_\_\_

State/Country \_\_\_\_\_ Telephone Number \_\_\_\_\_

Postal (ZIP) Code \_\_\_\_\_ Date \_\_\_\_\_

**THANK YOU FOR YOUR COMMENTS AND SUGGESTIONS.**

Please do not use this form to order manuals. Contact your representative at Digital Equipment Corporation or (in the USA) call our DECdirect™ department at this toll-free number : 800-344-4825