

# ILLUSTRATED PARTS BREAKDOWN

# VAXft 810 System

**ILLUSTRATED PARTS BREAKDOWN (IPB)**

The IPB is used to identify a part and its location in a hardware product. The document references specific item numbers in the associated parts list.

**HOW TO USE THE IPB**

1. Locate the figure containing the item of interest.
2. Locate the number (callout) of the item of interest.
3. Locate that item number in the associated parts list.

**FORMAT**

Each IPB is generally organized based on its first figure. All other assemblies and subassemblies are referenced from this figure. Each figure contains numeric callouts of all major parts (items).

**PARTS LIST**

Each parts list contains the following:

**Figure and Item No.** – Lists the figure number and its referenced numeric callout

**Description** – Presents the name and a brief description of the item. A single asterisk (\*) preceding the description denotes item is a

subassembly to its referenced figure. A double asterisk (\*\*) preceding the description indicates that this item is subordinate to the preceding single asterisk item.

**DEC Part No.** – Lists the Digital/Vendor part number. The letter in the column heading indicates the current revision level of the Engineering Drawing for the referenced figure.

**ECO Cut-In** – Lists the top assembly drawing number and revision level at first printing. All additional revisions to an item are listed in this column.

**Used On Code** – Lists letters referring to the product variation assigned in Figure 1. When this column is blank, the item is used in all variations.

**Ref Fig No.** – Lists a cross reference between figures within the IPB.

**PART NUMBER/PART DESCRIPTION INDEX SECTION**

Lists items by part number numerically, and description alphabetically. Items are also referenced to a location within the IPB by figure and item number.

**ECO/REVISION HISTORY**

**OTHER IPB  
MANUALS  
REFERENCED**

FIGURE NO.	ASSEMBLY	INITIAL LEVEL	CURRENT LEVEL	PRINTING DATE	OTHER IPB MANUALS REFERENCED
1	56CAA 56CAB	00000 00000	00000 00000	30-SEP-93	
2	BA22H	00000	00000		
3	BA22J	00000	00000		
4	70-30569	00000	00000		
5	70-28990	00000	00000		
6	70-28989	00000	00000		
7	70-28984	00000	00000		
8	70-28986	00000	00000		

Digital Equipment Corporation reserves the right, without notice, to make substitutions and modifications in the specifications of products documented in this manual and further reserves the right to withdraw any of these products from the market without notice.

Digital Equipment Corporation is not responsible for errors which may appear in the technical description (including illustrations and photographs) of the products covered by this manual.

None of the descriptions contained in this manual imply the granting of any license whatsoever to make, use or sell equipment constructed in accordance therewith.

Restricted Rights: Use, duplication or disclosure by the U.S. Government is subject to restrictions as set forth in subparagraph (c) (1) (ii) of the Rights in Technical Data and Computer Software clause at DFARS 252.227-2713.

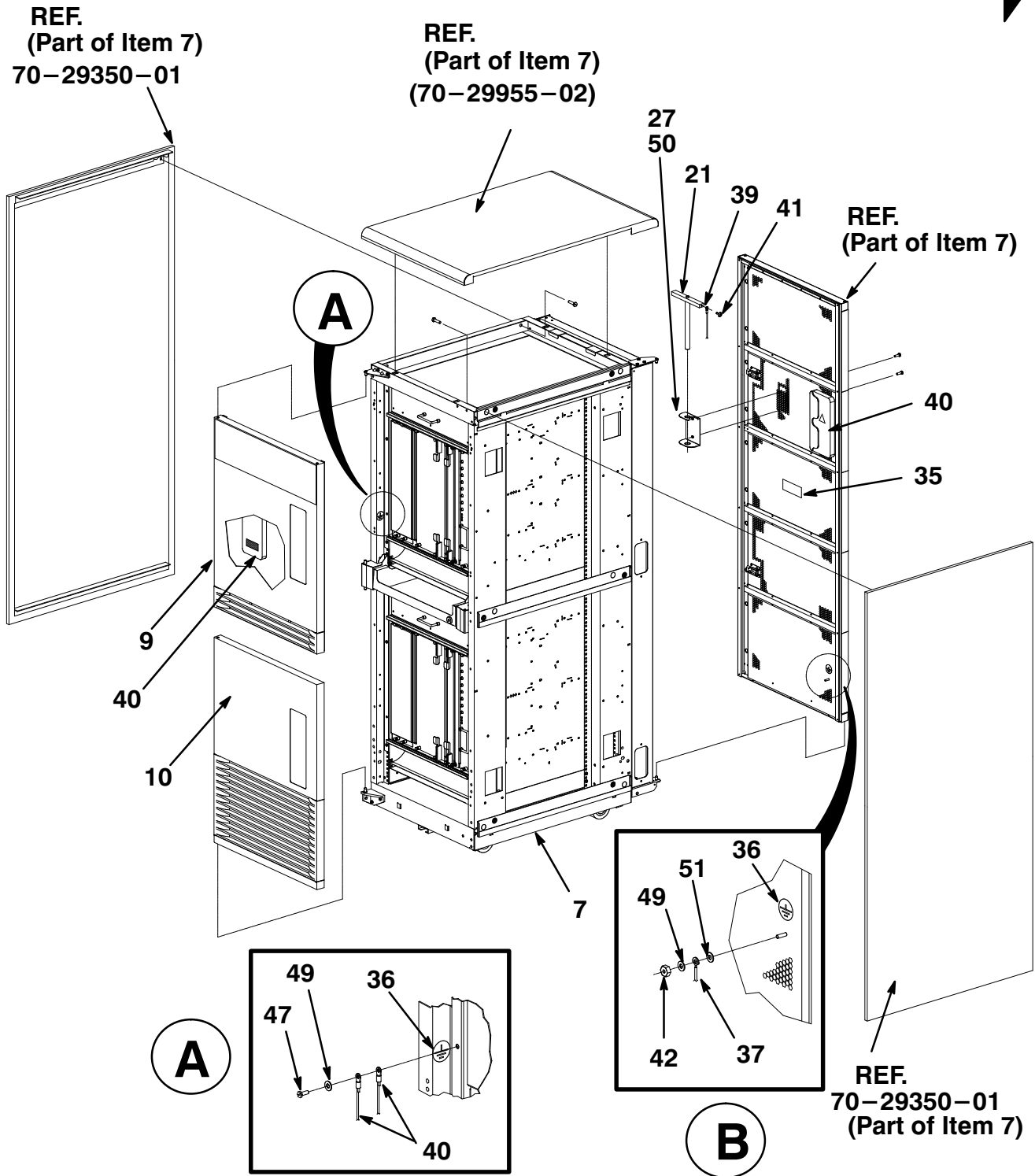
Copyright © 1993 by Digital Equipment Corporation. All rights reserved.  
Printed in U.S.A.

The postage-paid READER'S COMMENTS form on the last page of this document requests your critical evaluation to assist us in preparing future documentation.

The following are trademarks of Digital Equipment Corporation :

---

DECdirect, VAXft and the DIGITAL logo.



VAXft 810-01-IL

Figure 1. Kernel, VAXft 810 Tall Cab (Sheet 1 of 3)

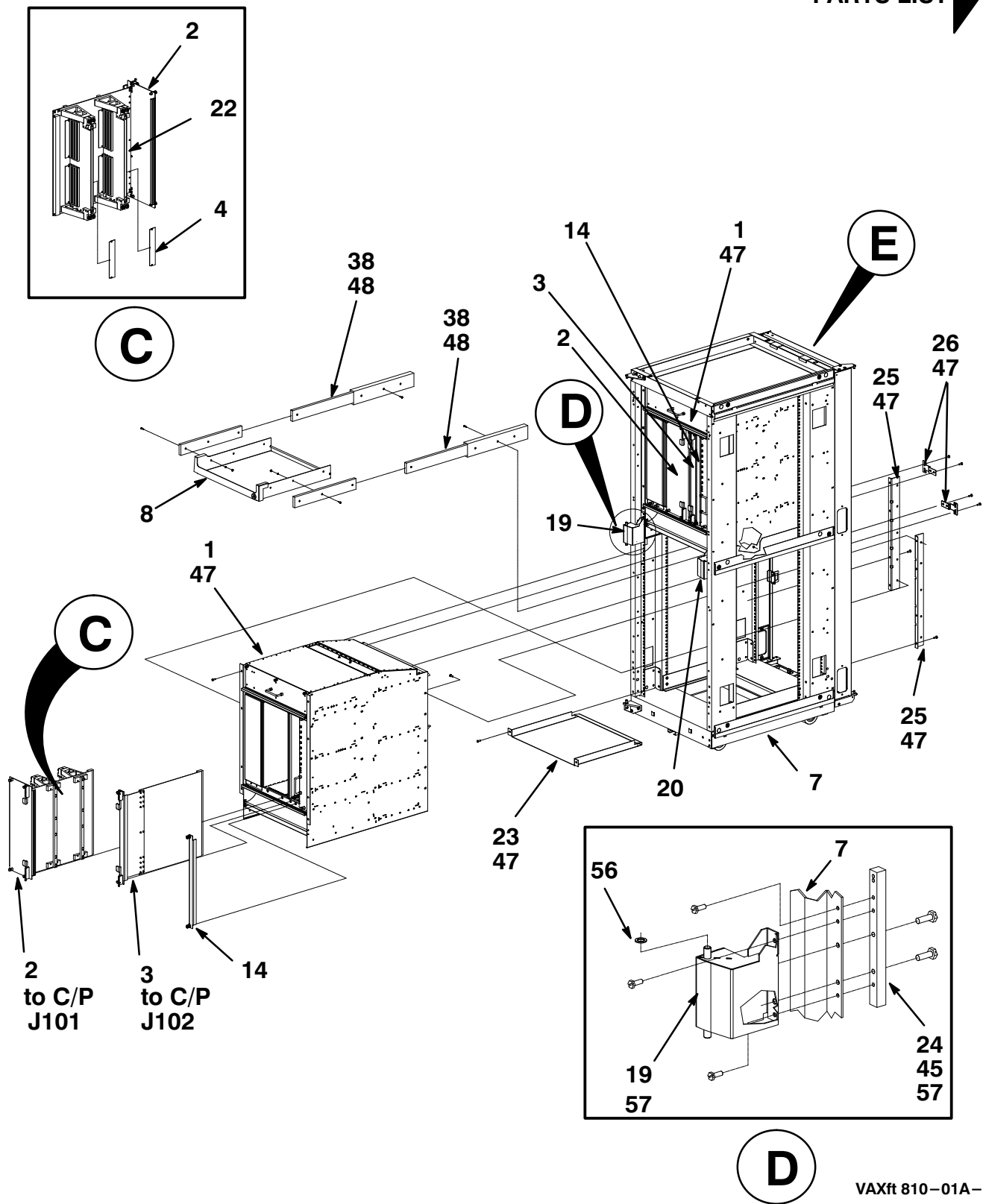
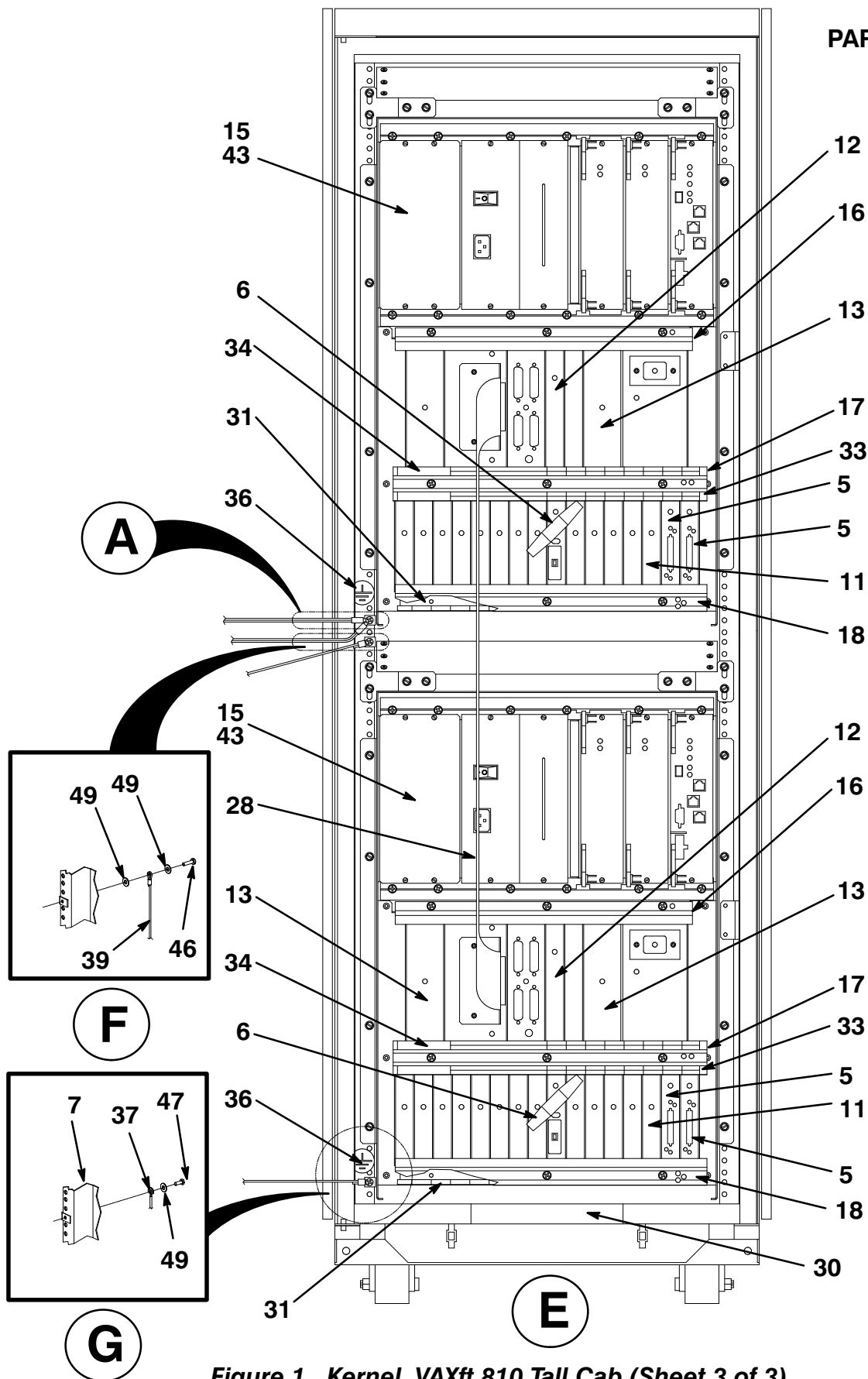


Figure 1. Kernel, VAXft 810 Tall Cab (Sheet 2 of 3)



VAXft 810-01B-IL

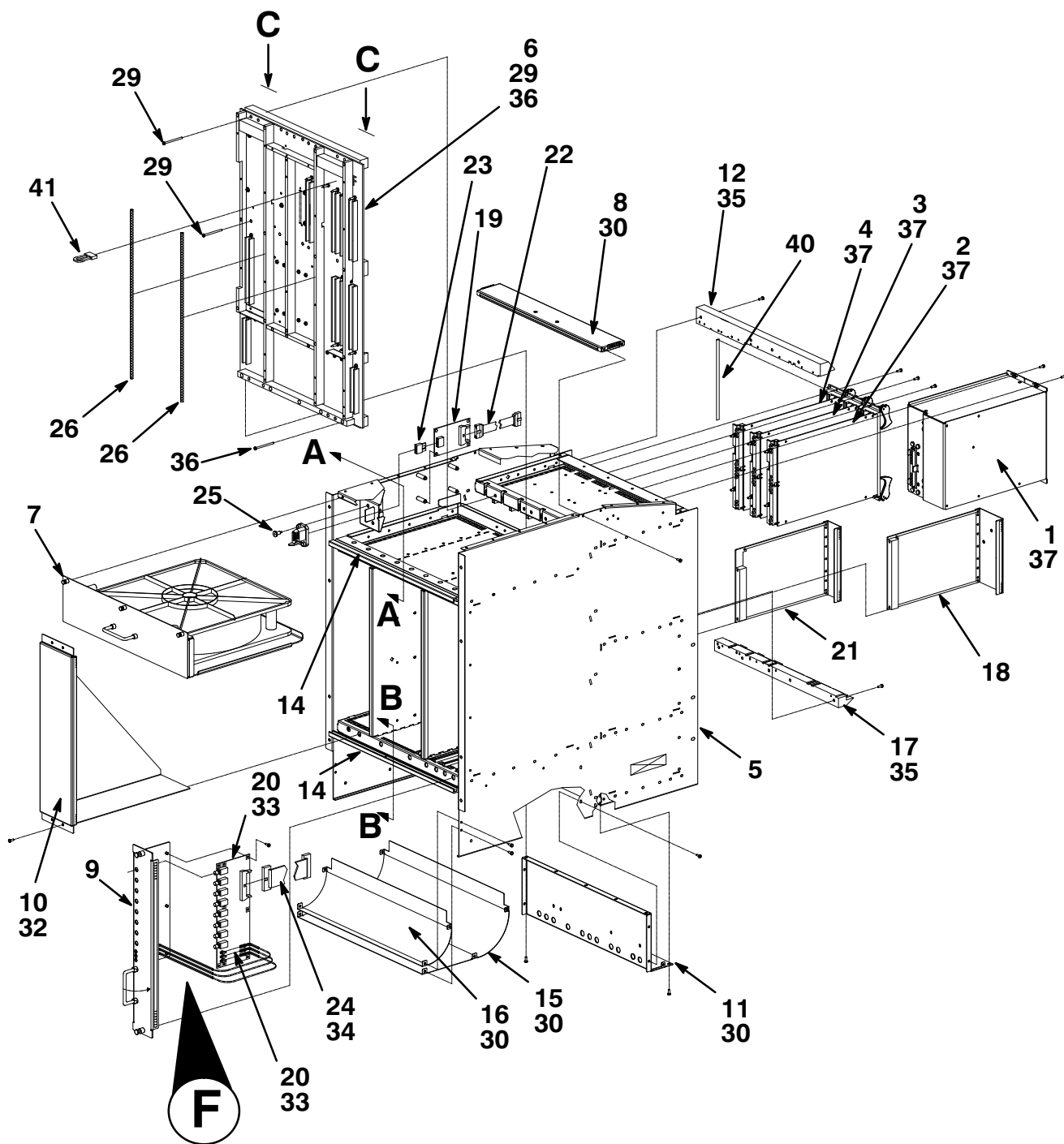
Figure 1. Kernel, VAXft 810 Tall Cab (Sheet 3 of 3)

FIG. & ITEM NO.	DESCRIPTION	DEC PART NO.	ECO CUT-IN 56CAA 00000	USED ON CODE	REF FIG NO.
1-	VAXft 810 (32MB) TALL CAB KERNEL				
	Code A – VAXft 810 (32MB) TALL CAB KERNEL	56CAA-XA		A	
	Code B – VAXft 810 (64MB) TALL CAB KERNEL	56CAB-XA		B	
1	*ENCLOSURE, VAXft 810 ZONE POWERED	BA22H-AA			2
2	*Module, VAXft 810 CPU 12NS NVAX+	KA560-AA			
3	*Module, VAXft 810 Initial I/O Proc	KD560-AA			
4	*Module, 32 MB Pair ECC Fault Tolerant	MS560-AA		A	
	*Module, 64 MB Pair ECC Fault Tolerant	MS560-AA		B	
5	*MODULE, DSSI ADAPTER TO II32T SYSTEM BUS	KDXDA-AA			
5A	**Cable Assembly, DSSI Pcard to Disk In (Not Shown)	17-03537-01			
5B	**Terminator, Connector (Not Shown)	12-29258-01			
6	*Module, NI Adapter to II32T Sys Bus for Thick/Thin Ethernet	KDXRA-AA			
7	*Frame Assembly, CPU	70-28991-01			
8	*Drawer Assembly, Laptop	70-30589-01			
9	*DOOR ASSEMBLY, TOP FRONT	70-28984-01			7
10	*DOOR ASSEMBLY, BOTTOM FRONT	70-28986-01			8
11	*Cover Assembly, Pcard Blank	70-30602-01			
12	*Cover Assembly, Test Blank	70-30603-01			
13	*Cover Assembly, I/O-DAT Blank	70-30604-01			
14	*Cover Assembly, I/O Blank	70-30605-01			
15	*Filler Assembly, 48V	70-30606-01			
16	*Holder Assembly, Top Module	70-30623-01			
17	*Holder Assembly, Middle Module	70-30624-01			
18	*Holder Assembly, Bottom	70-30625-01			
19	*Hinge Weldment, L.H.	70-30620-01			
20	*Hinge Weldment, R.H.	70-30621-01			
21	*Extractor Assembly, Module	70-30627-01			
22	*Module, MMB FT	54-21085-01			
23	*Plate, Anti-Recirculation	74-45856-01			
24	*Plate, Hinge Mounting	74-47095-01			
25	*Bracket, Rear Mounting	74-45497-01			
26	*Bracket, Top Rear Mounting	74-45857-01			
27	*Holder, Extractor Tool	74-47336-01			
28	*Harness Assy, w/Module & Handle Attached	17-03710-01			
29	*Label, Attention Pre-installed Software	36-28979-01			

FIG. & ITEM NO.	DESCRIPTION	DEC PART NO. <sup>A</sup>	ECO CUT-IN 56CAA 00000	USED ON CODE	REF FIG NO.
1-					
30	*Label, Regulatory	36-27838-69			
31	*Label, Bar I/O	36-41049-01			
32	*Label, Bar, Zone A	36-41049-02			
33	*Label, Bar, Zone B	36-41049-03			
34	*Label, Bar, Zone A & B	36-41049-04			
35	*Label, "Unit Has More Than One P/S Cord"	36-36761-01			
36	*Label, Adh Back Mylar Cap	36-13272-01			
37	*Ground Strap	12-13756-12			
38	*Chassis Slide, Ball BRG	12-38881-02			
39	*Cable Assembly, Nylon 40.0 Inch Lg	12-15700-07			
40	*Harness Assembly, ESD Wrist Strap & Pouch	12-24023-04			
41	*Screw, Shld No. 8-32 Round	12-27034-01			
42	*Nut, Keps No. 10-32 X .375	90-06565-00			
43	*Screw, Pan Hd Mach No. 3.5 8mm XRCS	90-10556-09			
44	*Cord, Power 3 x 12 SJT (Not Shown)	17-00083-56			
45	*Screw, Cap No. 1/4-20 x .750 Hex Slot	90-06372-08			
46	*Screw, Sems No. 10-32 x .625 Hex Slot	90-08323-00			
47	*Screw, Sems No 10-32 x .500 Hex Slot	90-09988-05			
48	*Screw, Machine No. 8-32 Pan .250 XRCS	90-06035-01			
49	*Washer, Flat	90-06668-01			
50	*Screw, Machine No. 10-32 x .625 XRC	90-08508-01			
51	*Washer, Lock External Steel	90-07651-01			
52	*Kit, DSSI Cab (Not Shown)	CK-KDXDA-BA			
53	*Package Assembly (Not Shown)	37-01309-03			
54	*Cable, 25 Ft ASYNC, 16 Wire Shielded	BC22E-25			
55	*Key, Cabinet Door (Not Shown)	12-26339-01			
56	*Washer, Flat Nylon	90-00003-23			
57	*Screw, Cap No. 10-32 x .500 Hex Sock	90-06346-08			

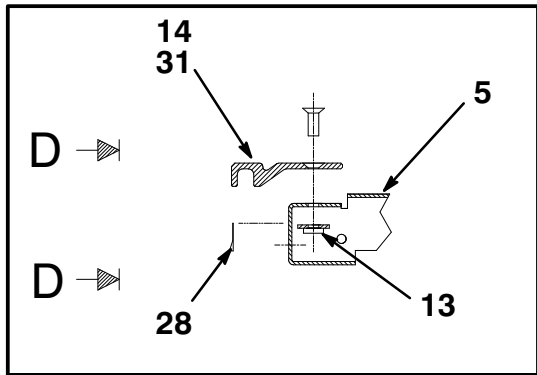
THIS PAGE INTENTIONALLY LEFT BLANK



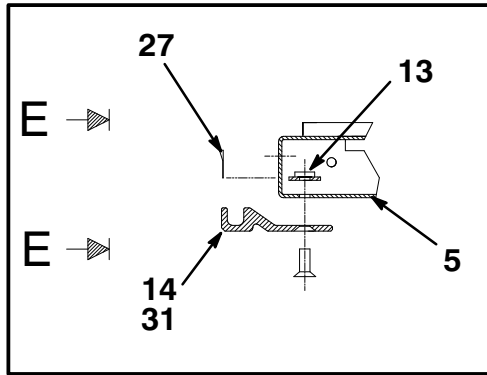


VAXft 810-02-IL

Figure 2. Enclosure, VAXft 810 Powered Zone (Sheet 1 of 3)

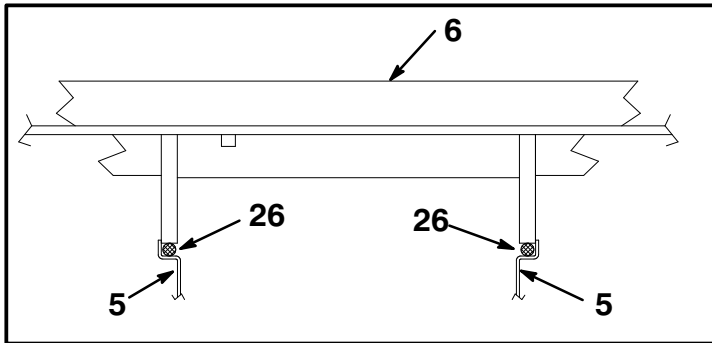


**SECTION A-A**

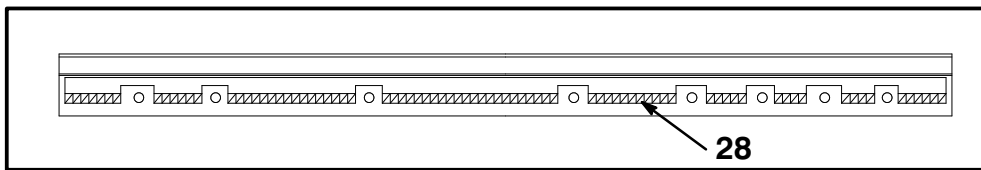


**SECTION B-B**

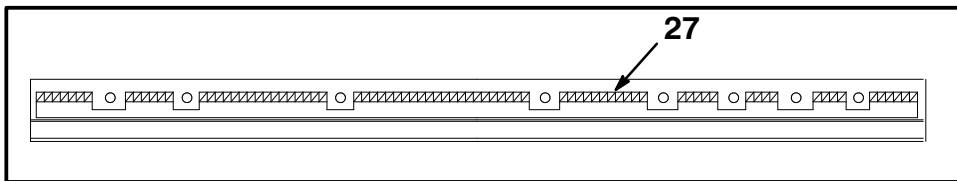
**PARTS LIST**



**PARTIAL VIEW C-C**



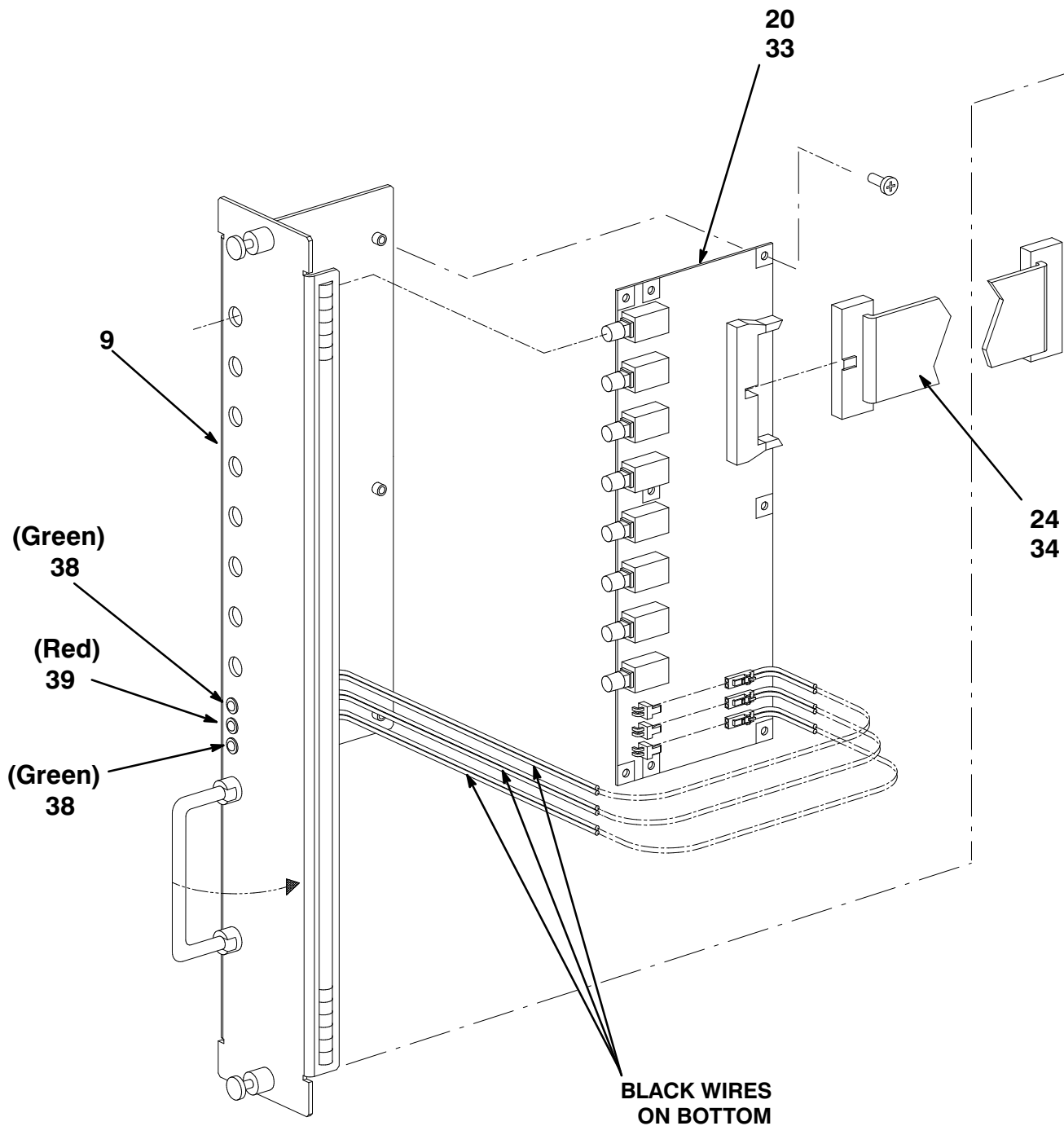
**VIEW D-D**



**VIEW E-E**

VAXft 810-02A-IL

**Figure 2. Enclosure, VAXft 810 Powered Zone (Sheet 2 of 3)**

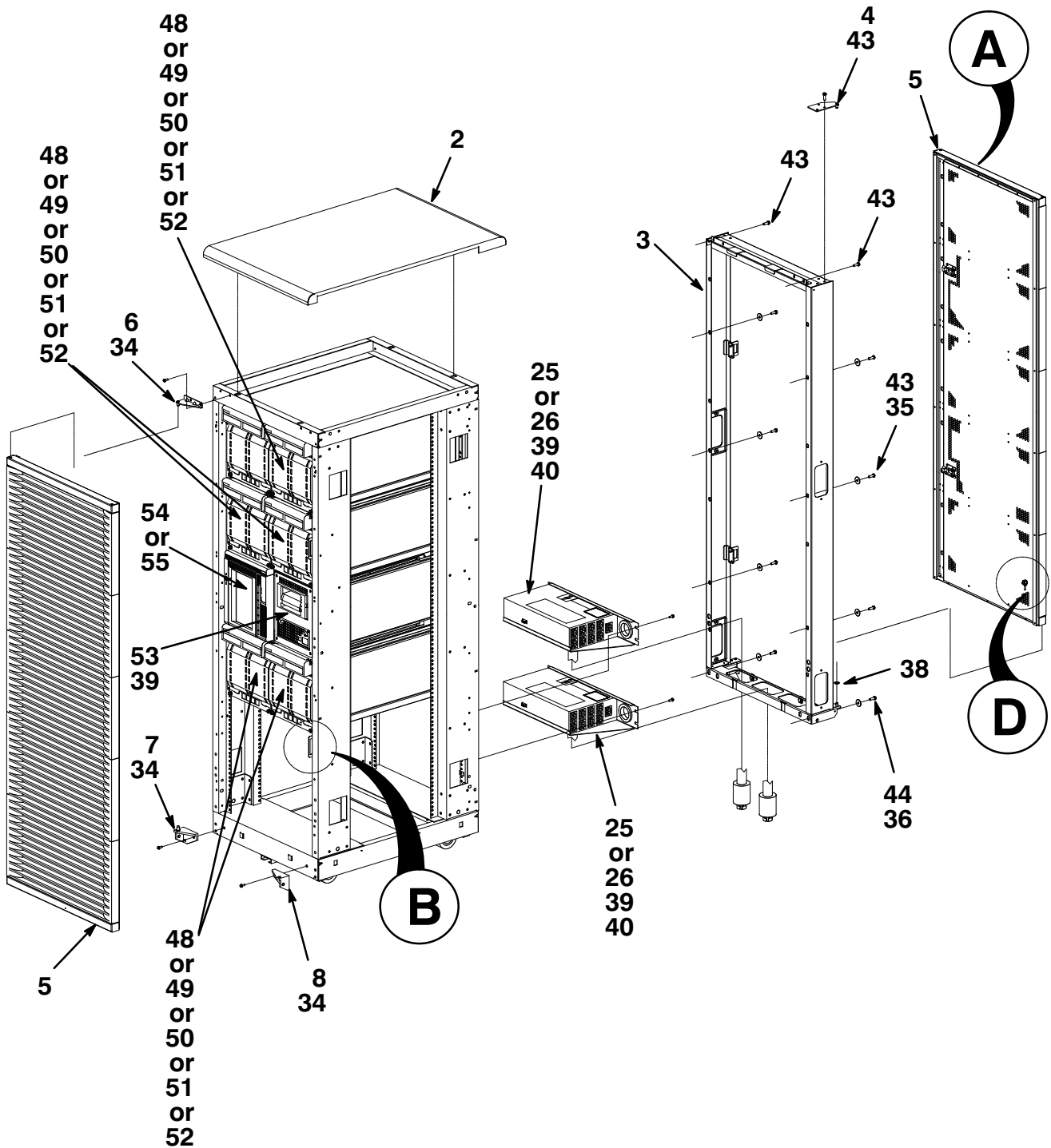


F

VAXft 810-02B-IL

Figure 2. Enclosure, VAXft 810 Powered Zone (Sheet 3 of 3)

FIG. & ITEM NO.	DESCRIPTION	DEC PART NO. <sup>A</sup>	ECO CUT-IN BA22H 00000	USED ON CODE	REF FIG NO.
2-	ENCLOSURE, VAXft 810 POWERED ZONE (120V/240V)	BA22H-AA			1
1	*Power Supply, ZVS Front End	H7884-AA			
2	*Converter Unit, DC-DC (3.3V)	H7178-AA			
3	*Converter Unit, DC-DC (5V)	H7179-AA			
4	*Controller, Power System	H7851-AA			
5	*Frame Assembly, Zone	70-28988-01			
6	*CENTERPLANE ASSEMBLY	70-28989-01			6
7	*TRAY ASSEMBLY, FAN	70-28990-01			5
8	*Plug Assembly, Upper	70-30593-01			
9	*Handle Assembly, Zone Control	70-30619-01			
10	*Cover Assembly, Disk Blank	70-30608-01			
11	*Plug Assembly, Lower	70-30626-01			
12	*Rail, Top	74-45205-01			
13	*Plate, Nut	74-45210-01			
14	*Rail, CPU	74-45211-01			
15	*Vane, Turning	74-45852-01			
16	*Vane, Upper Turning	74-45899-01			
17	*Rail, Bottom	74-45204-01			
18	*Module, CAMP	54-21073-01			
19	*Module, Fan Current Sensor	54-22126-01			
20	*Module, Zone Control	54-22130-01			
21	*Module, Console Extender	54-21067-01			
22	*Cable Assembly, 17 Cond FCSB To Backplane	17-03512-01			
23	*Cable Assembly, 3 Cond, Fan Tray to FCSB	17-03513-01			
24	*Cable Assembly, 40 Cond Flat	17-01148-03			
25	*Screw, Shld No. 8-32 Round	12-27034-01			
26	*Gasket, EMI/RFI, Tube	12-37248-02			
27	*Shield, EMI/RFI	12-40108-01			
28	*Shield, EMI/RFI	12-40108-02			
29	*Screw, Machine Pan Hd No. 10-32 x 2 Inch	90-06081-01			
30	*Screw, Machine Pan Hd No. 6-32 x .375	90-06022-01			
31	*Screw, Machine Flat Hd No. 10-32 x .750	90-00039-02			
32	*Screw, Machine Pan Hd No. 10-32 x .500	90-06073-01			
33	*Screw, Machine Pan Hd No. 6-32 x .250	90-06020-01			
34	*Clamp. Cable Adh, Mount	90-09636-00			
35	*Screw, Machine Pan Hd No. 10-32 x 1 Inch	90-06077-01			
36	*Screw, Captive Hex HdNo. 10-24	90-06355-08			
37	*Screw, Pan Hd Machine No. 3.5 x 8mm	90-10556-17			
38	*Cable, (Green) 1MC 10 MA	11-18799-05			
39	*Cable, (Red) 1MC 10 MA	11-18799-04			
40	*Shield, EMI/RFI, BE-CU 208mm, Strip	12-35579-03			
41	*Jumper Plug, 20 Pos	17-03857-01			
42	*Clip, Cable Adh. Backed	12-21249-01			

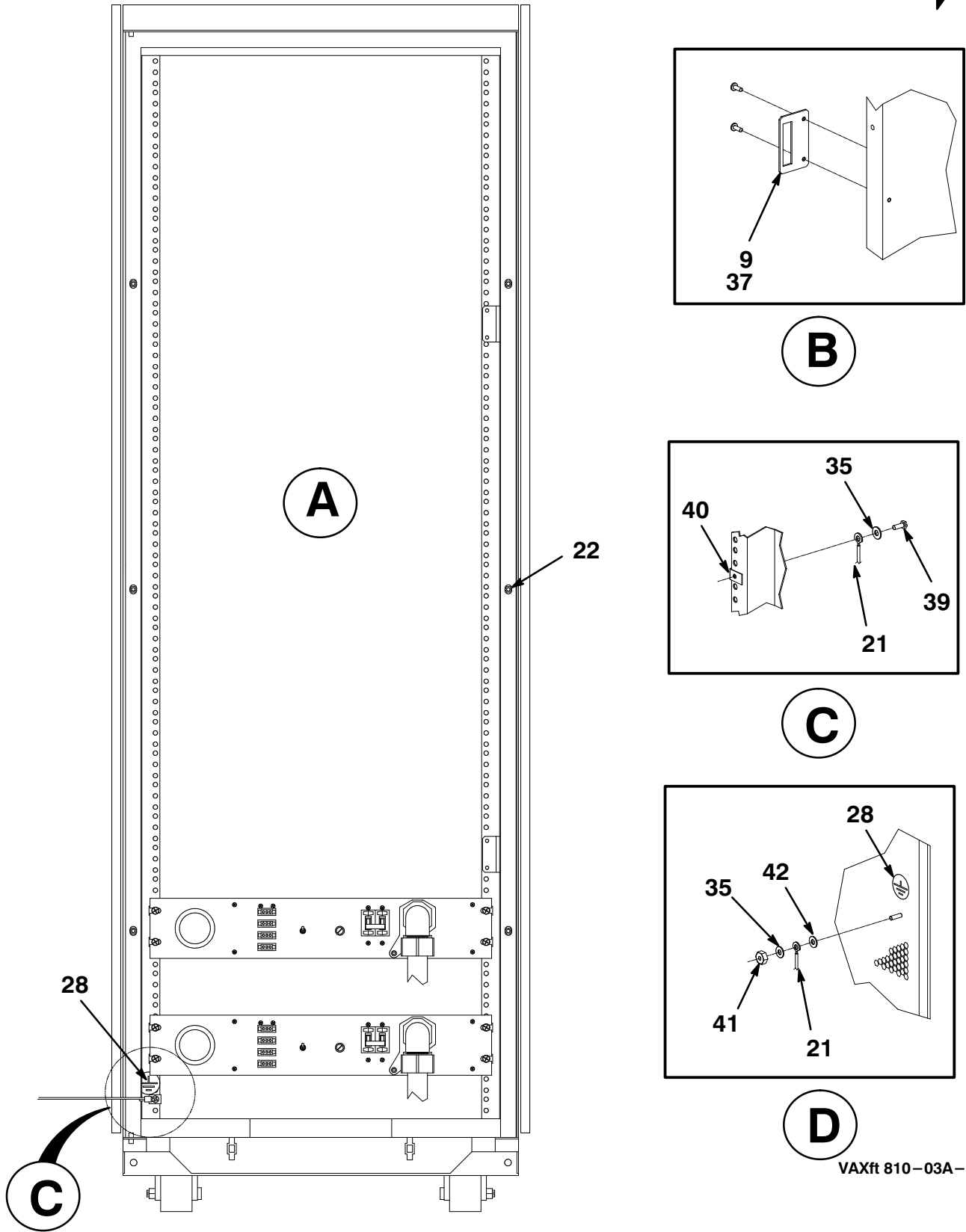


(See Sheets 3 and 4 for Mounting)

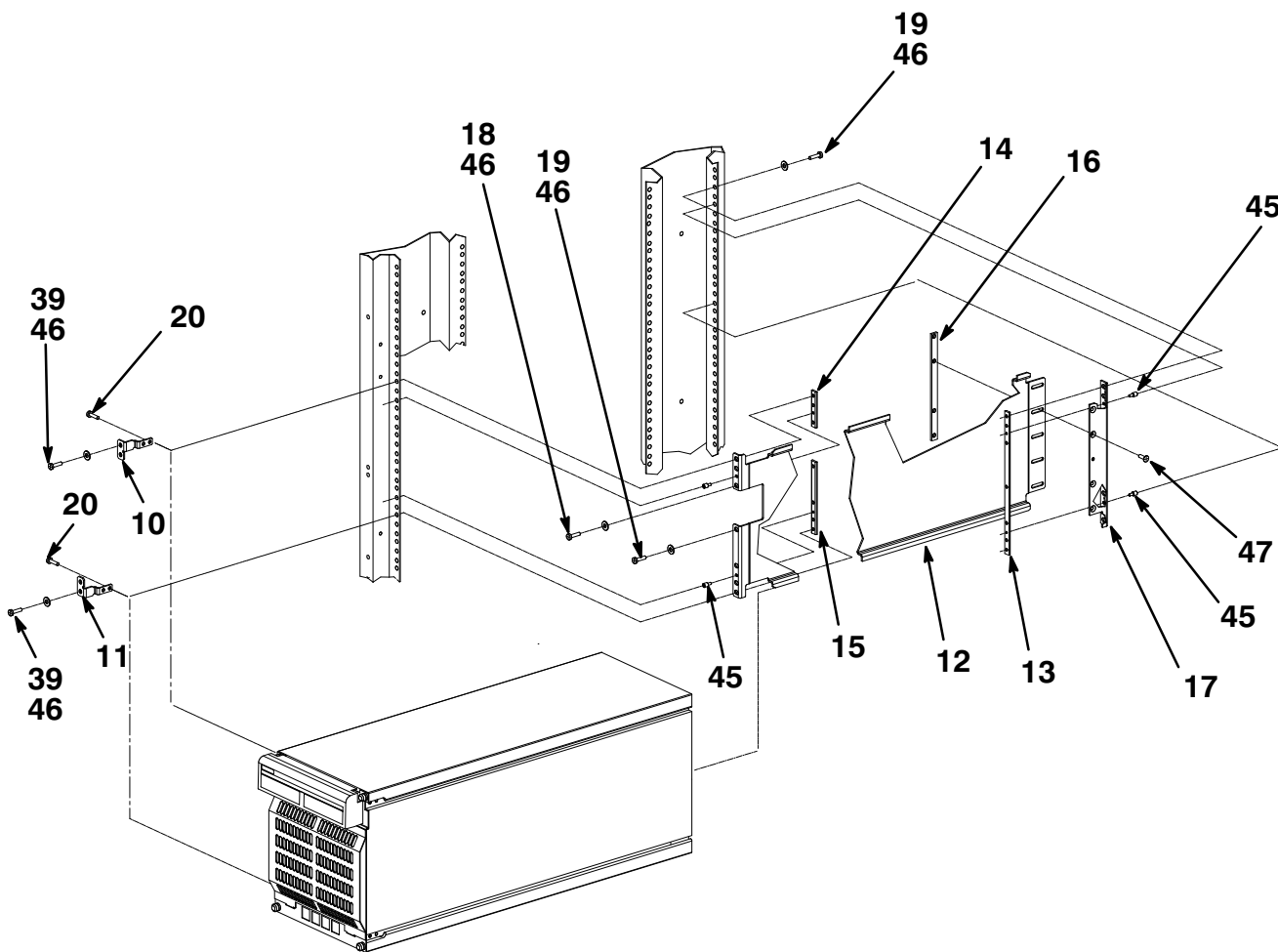
VAXft 810-03-IL

Figure 3. Expander Unit Assembly, VAXft 810 (Sheet 1 of 4)

**PARTS LIST**



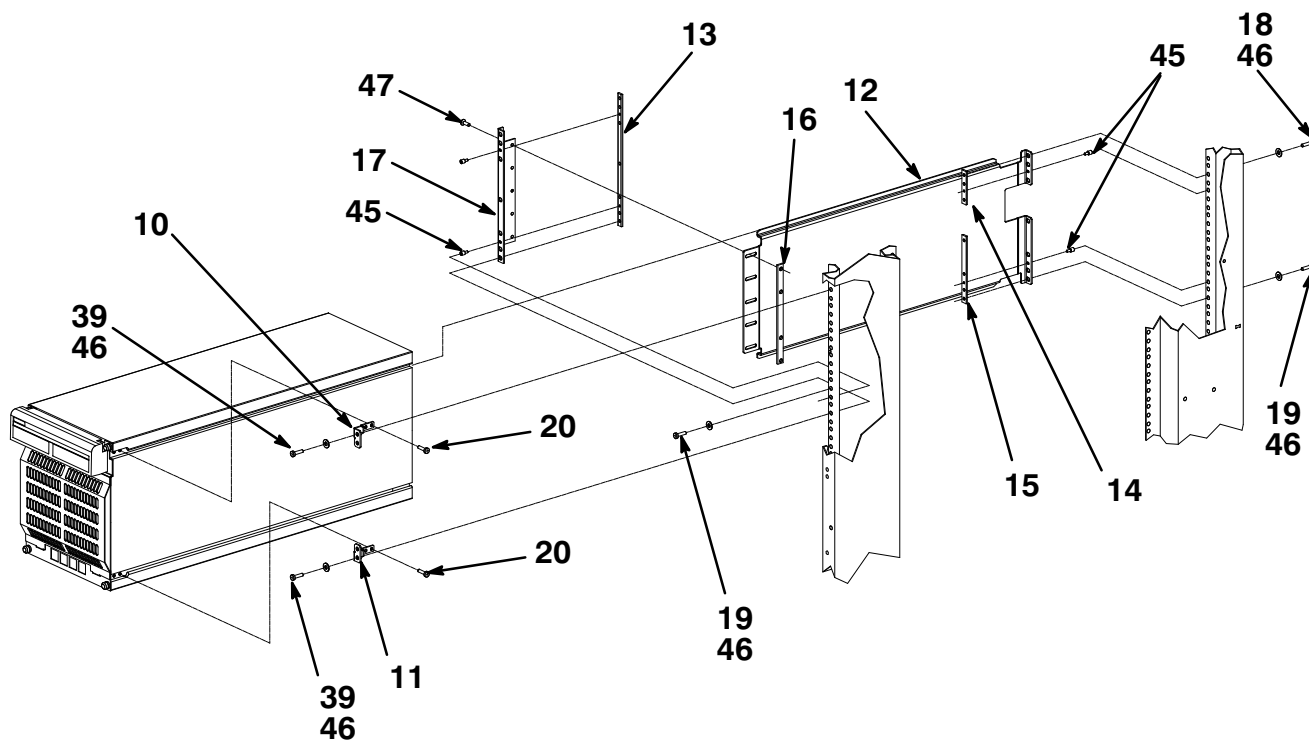
**Figure 3. Expander Unit Assembly, VAXft 810 (Sheet 2 of 4)**



**MOUNTING PROCEDURE FOR LEFT HAND RAIL**

VAXft 810-03B-IL

**Figure 3. Expander Unit Assembly, VAXft 810 (Sheet 3 of 4)**



### MOUNTING PROCEDURE FOR RIGHT HAND RAIL

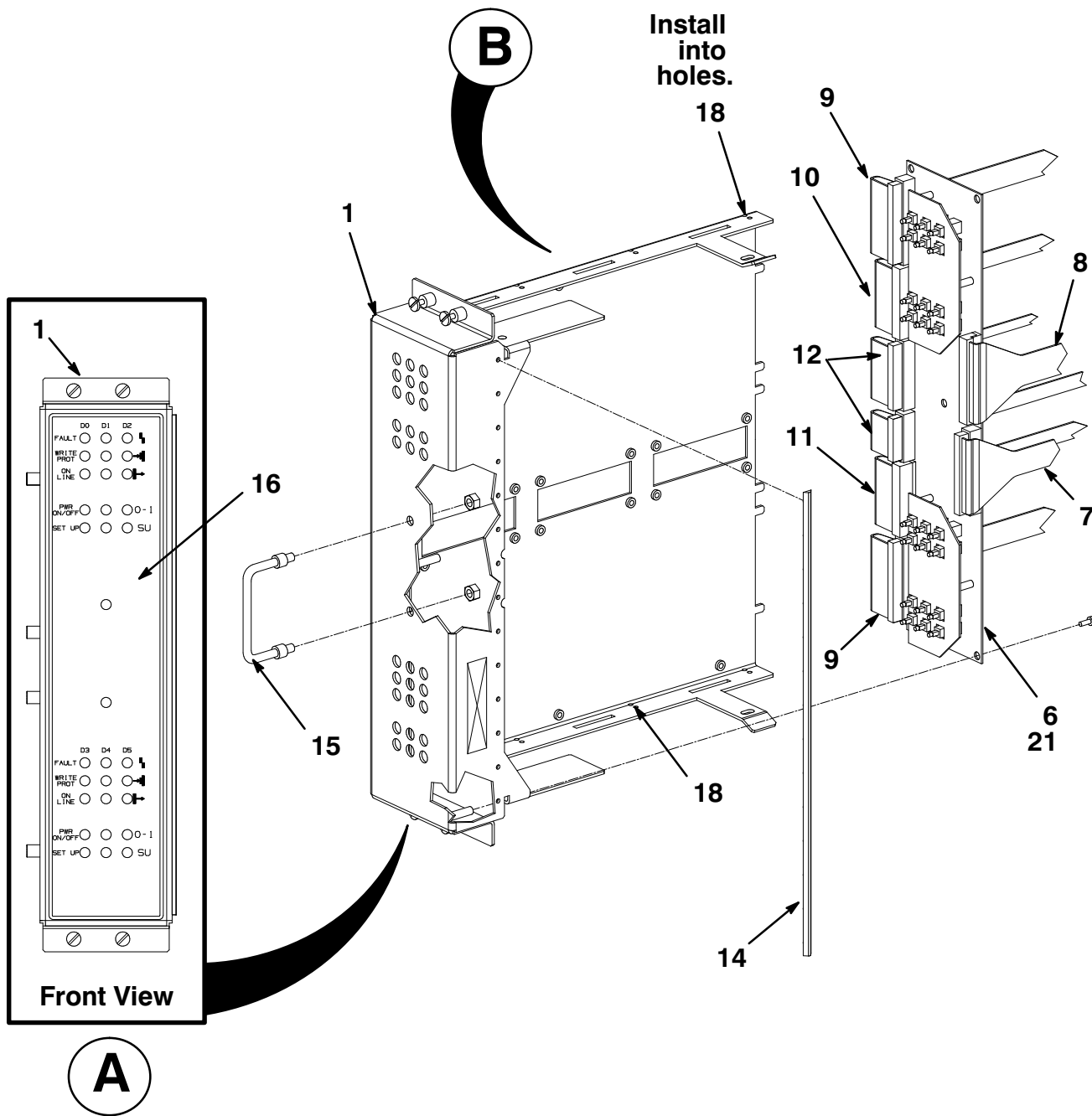
VAXft 810-04C-IL

Figure 3. Expander Unit Assembly, VAXft 810 (Sheet 4 of 4)



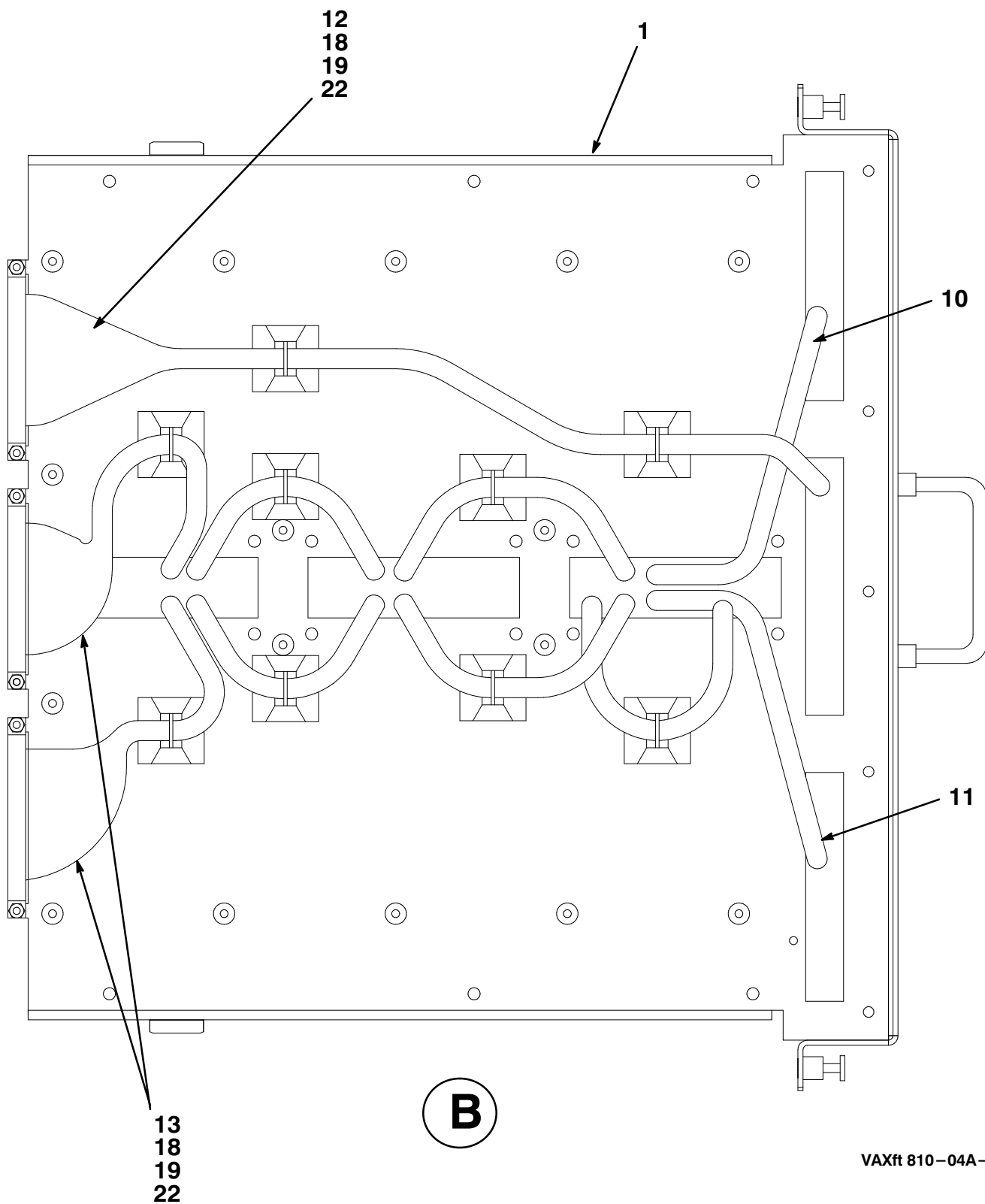
FIG. & ITEM NO.	DESCRIPTION	DEC PART NO. <sup>A</sup>	ECO CUT-IN BA22J-A 00000	USED ON CODE	REF FIG NO.
3-	EXPANDER UNIT ASSEMBLY, VAXft 810 EXPANDER UNIT ASSEMBLY, VAXft 810	BA22J-AE BA22J-AJ		A B	
1	*Frame Assembly, 600mm MH, NVT, WSL	70-30395-01			
2	*Cover Assembly, Top	70-29955-02			
3	*Collar Assembly, Non-shielded w/Latch	70-30370-02			
4	*Bracket, Weldment, Top Pin Collar (LH)	70-30369-01			
5	*Door Assembly, 600mm (Full Vented)	70-29952-01			
6	*Bracket Weldment, Hinge, Front Top	70-29919-01			
7	*Bracket, Assembly, Front (LH)	70-29970-01			
8	*Bracket, Assembly, Front (RH)	70-29970-02			
9	*Bracket, Frame Latch	74-44870-01			
10	*Retainer	74-46313-01			
11	*Retainer	74-46313-02			
12	*Rail, Side	74-46515-01			
13	*Bar, Nut, 9.35 Inch Long	74-36154-01			
14	*Bar, Nut, 2.35 Inch Long	74-36154-02			
15	*Bar, Nut, 4.73 Inch Long	74-36154-03			
16	*Bar, Insert Nut	74-36464-01			
17	*Bracket, Rail	74-36155-01			
18	NOT USED				
19	NOT USED				
20	*Screw, Sems Pan Hd No. 10-32 x .343 XRCS	12-21368-03			
21	*Strap, Ground	12-13756-12			
22	*Rivnut, Hexagon M5 5-2, 15mm Grip	12-14482-04			
23	*Joiner Kit, H9A00 Series (Wide)	H9C00-SB			
24	*Expansion Trim Kit, 600mm w/Rear Door	H9C00-UD			
25	*Controller, Power (120V 24A) 1 PH 6 Outlets	30-35415-01		A	
26	*Controller, Power (240V 16A) 1 PH 6 Outlets	30-35415-02		B	
27	*Label, Warning Cabinet Stabilizer	36-37532-01			
28	*Label, Adh. Back, Mylar Cap	36-13272-00			
29	*Label, Regulatory	36-27838-YY			
30	*Label, Regulatory	36-27838-ZZ			
31	*Cord, Power 54 Inch	17-00442-39			
32	*Cord, Power 78 Inch	17-00442-40			
33	*Package Assembly	37-01309-02			
34	*Screw, Machine M5 HXW x 16mm Lg	90-40219-01			
35	*Washer, Flat	90-06668-00			
36	*Washer, Flat	90-06676-00			
37	*Rivet, Blind Dome	90-09241-00			
38	*Washer, Flat Nylon	90-00003-23			
39	*Screw, Sems Hex Slot No. 10-32 x .500	90-09988-05			

FIG. & ITEM NO.	DESCRIPTION	DEC PART NO. <sup>A</sup>	ECO CUT-IN BA22J-A 00000	USED ON CODE	REF FIG NO.
3-					
40	*Nut, U-Nut No. 10-32 (0.62L x 0.510W)	90-07786-02			
41	*Nut, Keps No. 10-32 (.375AF)	90-06565-00			
42	*Washer, Lock	90-07651-00			
43	*Screw, Self Tap M5 HXW 10mm XRCS	90-40004-05			
44	*Screw, Thrl, M6 HXW, 16mm XRCS	90-40004-11			
45	*Standoff, Round No. 10-32	90-10830-02			
46	NOT USED				
47	*Screw, Thrl No. 10-32 Flt .625 XRCS	90-00067-42			
48	*Storage Array, 1.7 GB DSSI Half-Rack SF35	SF35-BK			
49	*Storage Array, 5.1 GB DSSI Half-Rack SF35	SF35-HK			
50	*Storage Array, 10.2 GB DSSI Half-Rack SF35	SF35-JK			
51	*Storage Array, 4 GB DSSI Half-Rack SF73	SF73-HK			
52	*Storage Array, 8 GB DSSI Half-Rack SF73	SF73-JK			
53	*Tape Loader & Mounting Kit, TF85C	TF85C-BA			
	(TF85B-AA+H229-AA)				
54	*Tape Subsystem, TF857 18 GB (120V)	TF857-AA			
55	*Tape Subsystem, TF857 18 GB (240V)	TF857-AB			



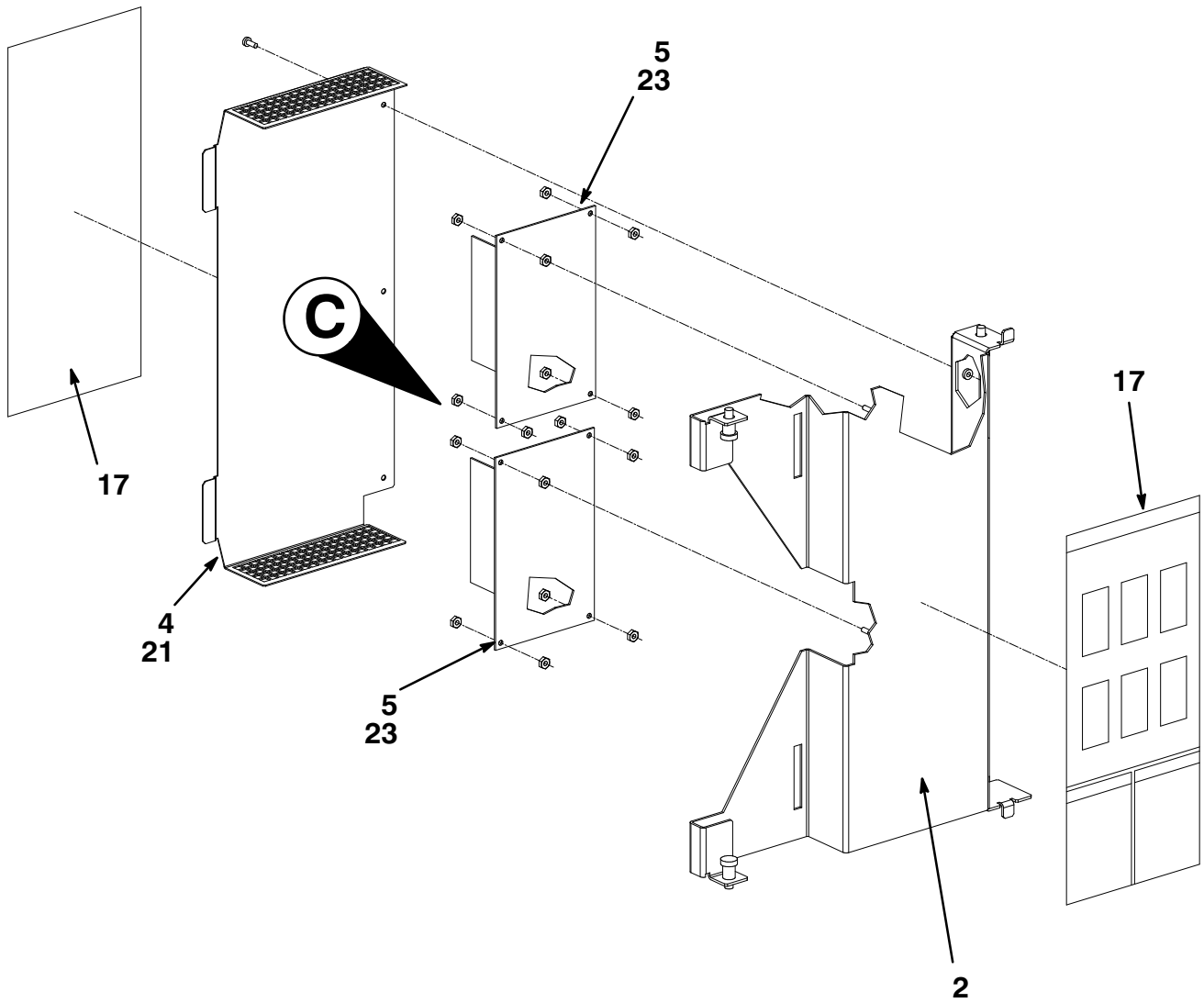
VAXft 810-04-IL

Figure 4. Drawer Assembly, DSSI Disk (Sheet 1 of 5)



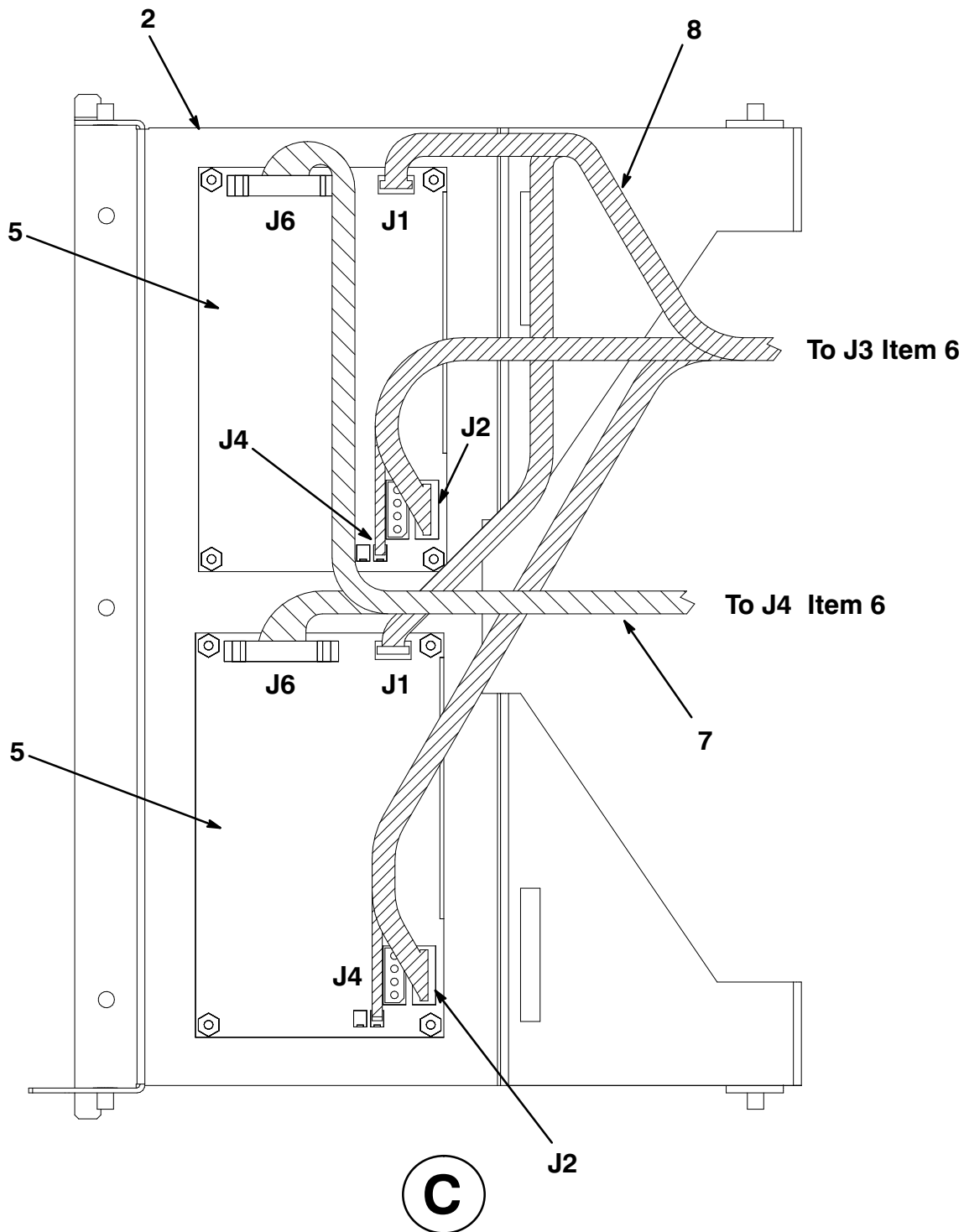
VAXft 810-04A-IL

Figure 4. Drawer Assembly, DSSI Disk (Sheet 2 of 5)



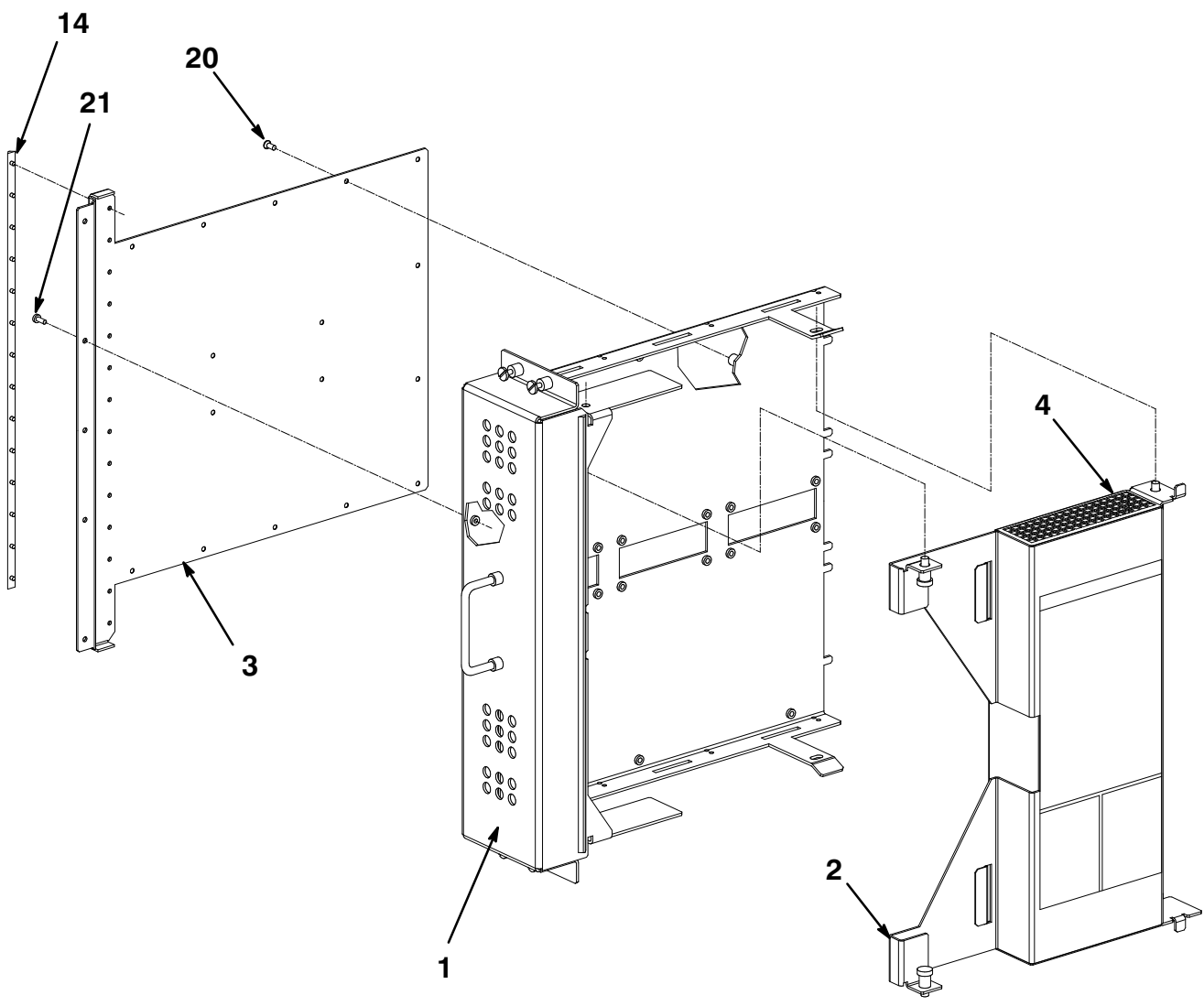
VAXft 810-04B-IL

Figure 4. Drawer Assembly, DSSI Disk (Sheet 3 of 5)



VAXft810-04D-IL

Figure 4. Drawer Assembly, DSSI Disk (Sheet 4 of 5)



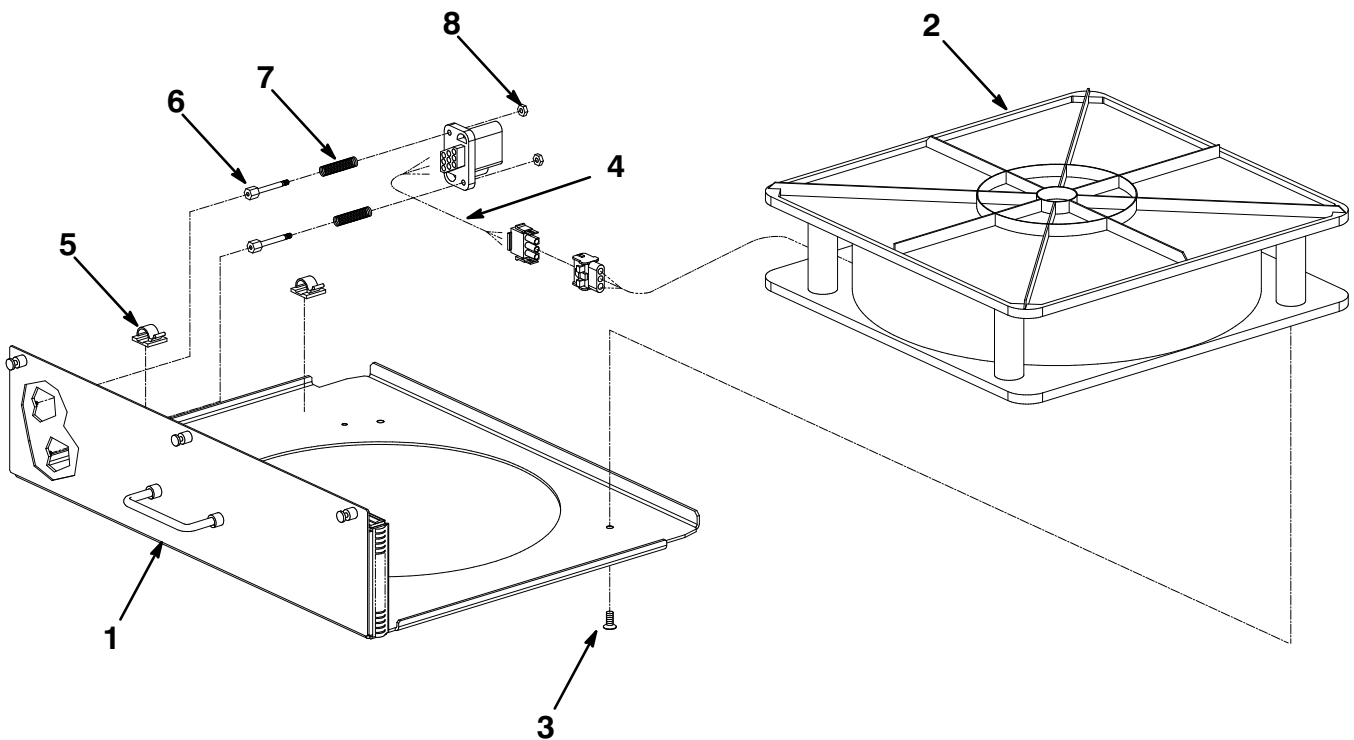
VAXft810-04C-IL

Figure 4. Drawer Assembly, DSSI Disk (Sheet 5 of 5)

FIG. & ITEM NO.	DESCRIPTION	DEC PART NO. <sup>A</sup>	ECO CUT-IN 70-30569 00000	USED ON CODE	REF FIG NO.
4-	DRAWER ASSEMBLY, DSSI DISK	70-30569-01			1
1	*Drawer, Disk	74-45844-01			
2	*Bracket, LDC Mounting	74-45845-01			
3	*Filler, Left Front	74-45953-01			
4	*Cover, LDC	74-45183-01			
5	*Module, LDC	54-20868-01			
6	*Module, DSSI Disk	54-21071-01			
7	*Cable Assembly, 34 Cond	17-03811-01			
8	*Harness Assembly, 15 Cond	17-03810-01			
9	*Cable Assembly, 45 Cond	17-03809-01			
10	*Cable Assembly, 15 Cond	17-03808-01			
11	*Cable Assembly, 15 Cond	17-03808-02			
12	*Cable Assembly, 34 Cond	17-03807-01			
13	*Cable Assembly, DSSI Signal for Disk Drawer	17-03700-01			
14	*Shield, EMI/RFI	12-39975-12			
15	*Handle, Frefal Round	12-27116-02			
16	*Label, Disk Control	36-41039-01			
17	*Label, Disk Drawer Configuration	36-41048-01			
18	*Tie, Cable Bundle	90-07031-00			
19	*Nut, Keps No. 4-40 x .250	90-10586-01			
20	*Screw, Machine No. 6-32 x .375 Flat Hd	90-08406-02			
21	*Screw, Machine No. 6-32 x .375 Pan Hd	90-06022-01			
22	*Mount, Cable Tie Adh. Backed	90-08264-00			
23	*Nut, Hex No. 6-32	90-07883-00			
24	*Package Assembly (Not Shown)	37-01455-01			



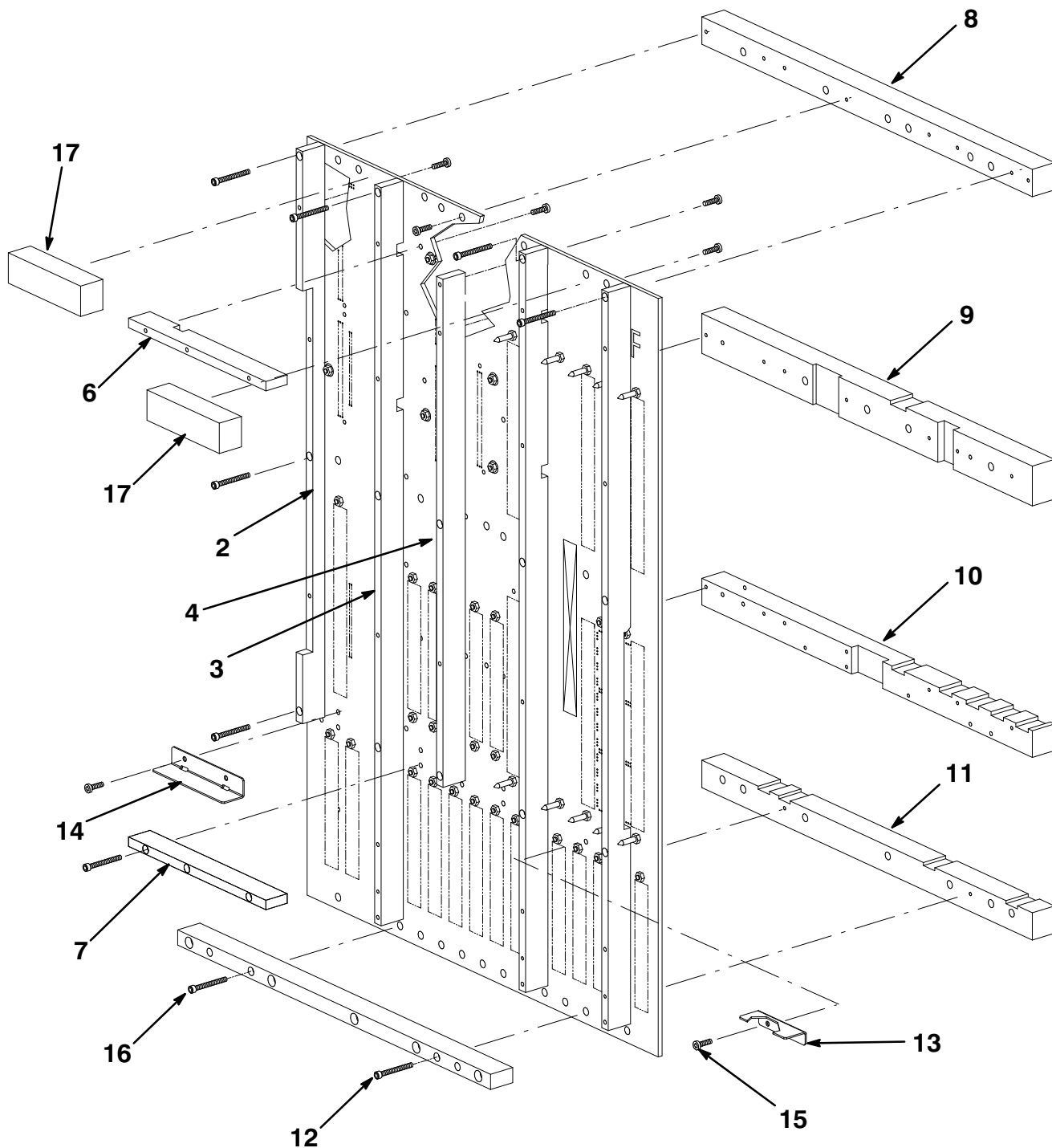
FIG. & ITEM NO.	DESCRIPTION	DEC PART NO. <sup>A</sup>	ECO CUT-IN 70-28990 00000	USED ON CODE	REF FIG NO.
5-	FAN TRAY ASSEMBLY	70-28990-01			2
1	*Frame Assembly, Fan Tray	70-30590-01			
2	*Blower, Backward Incline (24V DC)	12-27848-01			
3	*Screw, Machine No. 10-32 x .375 XRCS Flat Hd	90-00039-25			
4	*Cable Assembly, 3 Cond, Fan to Fan Tray	17-03514-01			
5	*Clip, Adh Backed Cable	12-21249-01			
6	*Support, Spring	74-34431-01			
7	*Spring, Compression .300 OD x 1.25 LG	12-27235-02			
8	*Nut, Hex Self Locking Nylon Ins No. 6-32	90-08055-00			



VAXft 810-05-IL

Figure 5. Fan Tray Assembly

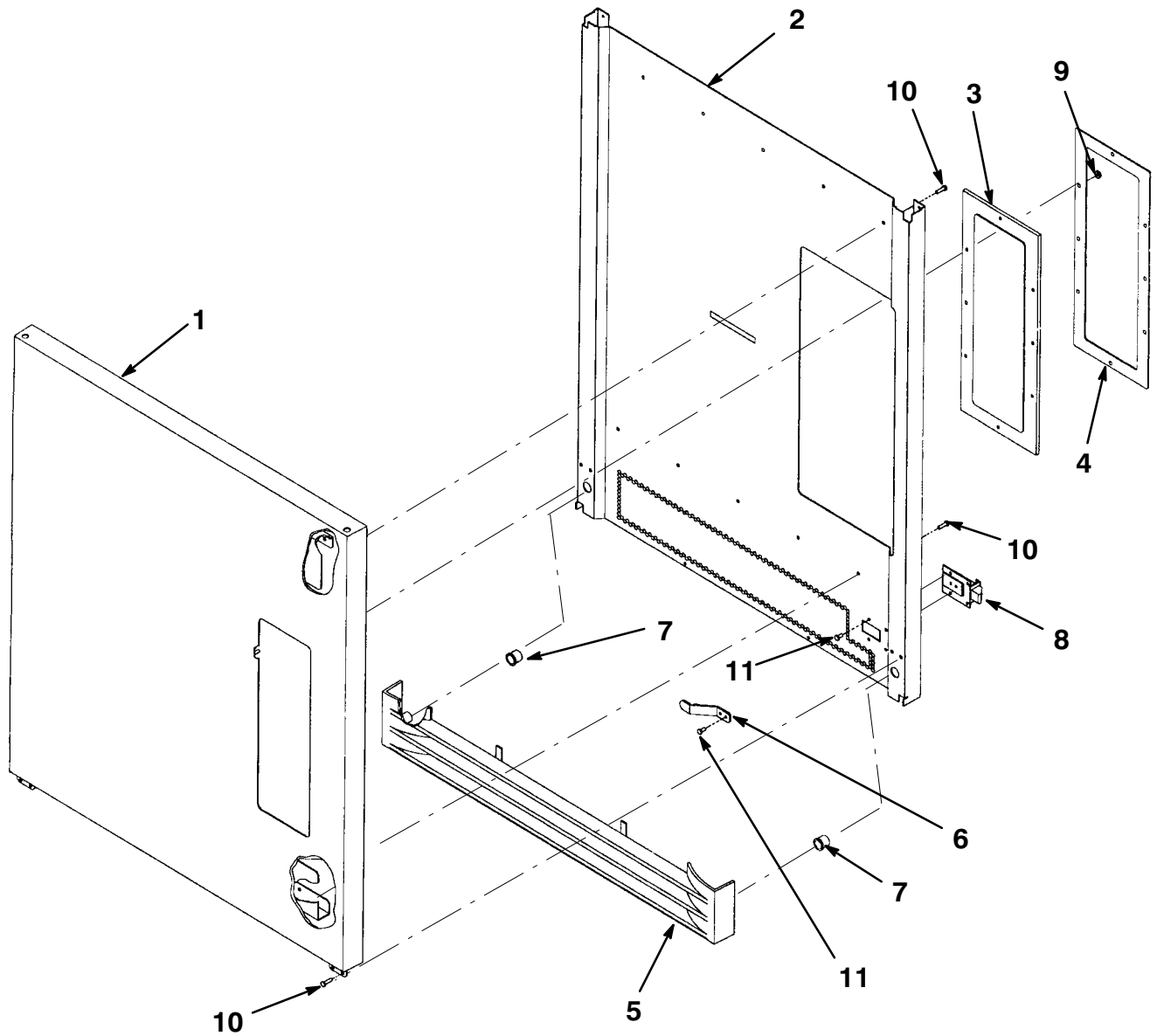
THIS PAGE INTENTIONALLY LEFT BLANK



VAXft 810-06-SC

Figure 6. Centerplane Assembly

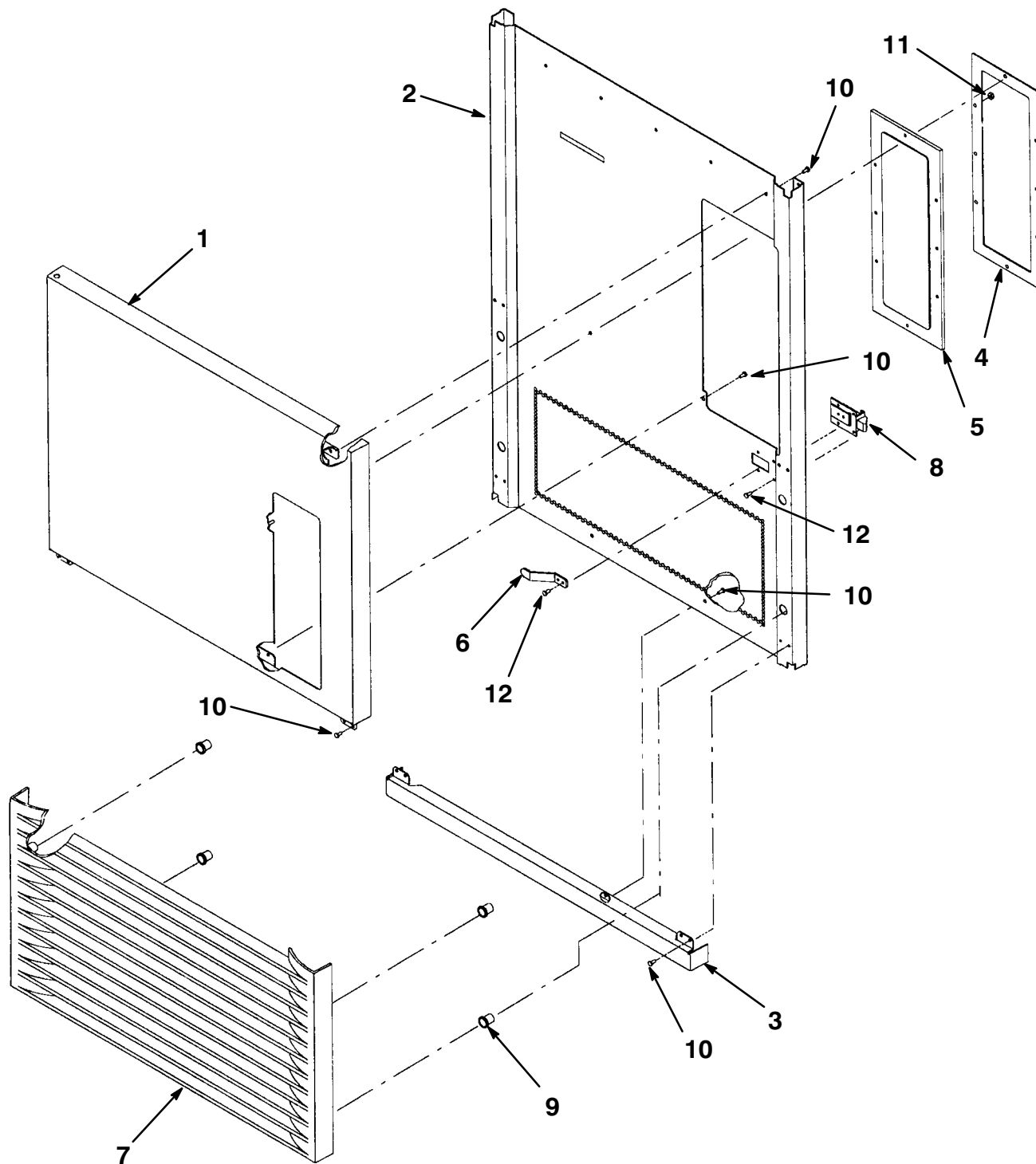
FIG. & ITEM NO.	DESCRIPTION	DEC PART NO. <sup>A</sup>	ECO CUT-IN 70-28989 00000	USED ON CODE	REF FIG NO.
6-	CENTERPLANE ASSEMBLY	70-28989-01			2
1	*Module, Centerplane	54-21087-01			
2	*Bar, FV1	74-45152-01			
3	*Bar, FV24	74-45153-01			
4	*Bar, FV3	74-45154-01			
5	*Bar, FV5	74-45156-01			
6	*Bar, FH1	74-45157-01			
7	*Bar, FH2	74-45158-01			
8	*Bar, RH1	74-45159-01			
9	*Bar, RH2	74-45160-01			
10	*Bar, RH3	74-45161-01			
11	*Bar, RH4	74-45162-01			
12	*Bar, FH3	74-45163-01			
13	*Airseal, BP, I/O	74-45853-01			
14	*Airseal, BP, CAMP	74-45854-01			
15	*Screw, ThrI No. 6-32 x .500 XRCS TRS	90-00063-13			
16	*Screw, Cap No. 6-32 Hex Sock Hd	90-08325-08			
17	*Block, Air Dam	74-46597-01			



VAXft 810-07-IL

Figure 7. Door Assembly, Top Front

FIG. & ITEM NO.	DESCRIPTION	DEC PART NO. <sup>A</sup>	ECO CUT-IN 70-28984 00000	USED ON CODE	REF FIG NO.
7-	DOOR ASSEMBLY, TOP FRONT	70-28984-01			2
1	*Panel Weldment, Top Outer	70-30622-01			
2	*Panel Weldment, Top Inner	70-28985-01			
3	*Window	74-46570-01			
4	*Flange, Window	74-46642-01			
5	*Grill, Upper Air	74-46571-01			
6	*Handle, Latch	74-44869-01			
7	*Stud, Receiver	90-11290-01			
8	*Latch, Self-Closing	12-38557-01			
9	*Nut, Keps No, 6-32 x .321 AF	90-06560-00			
10	*Rivet, Blind Lo-pro 0.156 DX	90-00030-40			
11	*Rivet, Blind Dome 0.125D x 0.337 LG	90-09054-00			



VAXft 810-08-SC

Figure 8. Door Assembly, Front Bottom

FIG. & ITEM NO.	DESCRIPTION	DEC PART NO. <sup>A</sup>	ECO CUT-IN 70-28984 00000	USED ON CODE	REF FIG NO.
8-	DOOR ASSEMBLY, FRONT BOTTOM	70-28984-01			2
1	*Panel Weldment, Outer Bottom	70-28987-01			
2	*Panel, Bottom Door Inner	74-46572-01			
3	*Cap, Lower Door	74-46573-01			
4	*Flange, Window	74-46570-01			
5	*Window	74-46570-01			
6	*Handle, Latch	74-44869-01			
7	*Grill Assembly, Door 600mm w/ Return	70-29980-01			
8	*Latch, Self-Closing	12-38557-01			
9	*Stud, Receiver .50 OD	90-11290-01			
10	*Rivet, Blind Lo-pro 0.156DX	90-00030-40			
11	*Nut, Keps No. 6-32 x .312AF	90-06560-00			
12	*Rivet, Blind Dome 0.125D x 0.337LG	90-09054-00			
					Ω



**PART NUMBER/DESCRIPTION INDEX** 

**THIS PAGE INTENTIONALLY LEFT BLANK**

**INDEX BY DEC PART NUMBER**  
VAXft 810 System

PART NO.	DESCRIPTION	FIG NO.	ITEM NO.
11-18799-05	Cable, (Green) 1MC 10 MA	2	38
11-18799-04	Cable, (Red) 1MC 10 MA	2	39
12-13756-12	Ground Strap	1	37
12-13756-12	Ground Strap	3	21
12-14482-04	Rivnut, Hexagon M5 5-2, 15mm Grip	3	22
12-15700-07	Cable Assembly, Nylon 40.0 Inch Lg	1	39
12-21249-01	Clip, Adh Backed Cable	2	42
12-21249-01	Clip, Adh Backed Cable	5	5
12-21368-03	Screw, Sems No, 10-32 x .343 XRCS Pan Hd	3	20
12-24023-04	Harness Assembly, ESD Wrist Strap & Pouch	1	40
12-26339-01	Key, Cabinet Door (Not Shown)	1	55
12-27034-01	Screw, Shld No. 8-32 Round	1	41
12-27034-01	Screw, Shld No. 8-32 Round	2	25
12-27116-02	Handle, Frefal Round	4	15
12-27235-02	Spring, Compression .300 OD x 1.25 LG	5	7
12-27848-01	Blower, Backward Incline (24V DC)	5	2
12-29258-01	Terminator, Connector	1	5B
12-35579-03	Shield, EMI/RFI, BE-CU 208mm	2	40
12-37248-02	Gasket, EMI/RFI, Tube	2	26
12-38557-01	Latch, Self-Closing	7	8
12-38557-01	Latch, Self-Closing	8	8
12-38881-02	Chassis Slide, Ball Bearing	1	38
12-39975-12	Shield, EMI/RFI	4	14
12-40108-01	Shield, EMI/RFI	2	27
12-40108-02	Shield, EMI/RFI	2	28
17-00083-56	Cord, Power 3 x 12 SJT (Not Shown)	1	44
17-00442-39	Cord, Power 54 Inch (Not Shown)	3	31
17-00442-40	Cord, Power 78 Inch (Not Shown)	3	32
17-01148-03	Cable Assembly, 40 Cond Flat	2	24
17-03512-01	Cable Assembly, 17 Cond, FCSB To Backplane	2	22
17-03513-01	Cable Assembly, 3 Cond, Fan Tray to FCSB	2	23
17-03514-01	Cable Assembly, 3 Cond, Fan to Fan Tray	5	4
17-03537-01	Cable Assembly, DSSI Pcard to Disk In	1	5A
17-03700-01	Cable Assembly, DSSI Signal for Disk Drawer	4	13
17-03710-01	Harness Assembly, w/Module & Handle Attached	1	28
17-03807-01	Cable Assembly, 34 Cond	4	12
17-03808-01	Cable Assembly, 15 Cond	4	10
17-03808-02	Cable Assembly, 15 Cond	4	11
17-03809-01	Cable Assembly, 45 Cond	4	9
17-03810-01	Harness Assembly, 15 Cond	4	8
17-03811-01	Cable Assembly, 34 Cond	4	7
17-03857-01	Jumper Plug, 20 Pos	2	41
30-35415-01	Controller, Power (120V 24A) 1 PH 6 Outlets	3	25
30-35415-02	Controller, Power (240V 16A) 1 PH 6 Outlets	3	26
36-13272-01	Label, Adh Back Mylar Cap	1	36
36-27838-69	Label, Regulatory	1	30
36-27838-70	Label, Regulatory	3	29
36-27838-71	Label, Regulatory	3	30
36-28979-01	Label, Attention Pre-installed Software	1	29
36-36761-01	Label, "Unit Has More Than One P/S Cord"	1	35
36-13272-00	Label, Adh. Back, Mylar Cap	3	28
36-37532-01	Label, Warning Cabinet Stabilizer	3	27

**INDEX BY DEC PART NUMBER**  
VAXft 810 System

PART NO.	DESCRIPTION	FIG NO.	ITEM NO.
36-41039-01	Label, Disk Control	4	16
36-41048-01	Label, Disk Drawer Configuration	4	17
36-41049-01	Label, Bar I/O	1	31
36-41049-02	Label, Bar, Zone A	1	32
36-41049-03	Label, Bar, Zone B	1	33
36-41049-04	Label, Bar, Zone A & B	1	34
37-01309-02	Package Assembly	3	33
37-01309-03	Package Assembly (Not Shown)	1	53
37-01455-01	Package Assembly (Not Shown)	4	24
54-20868-01	Module, LDC	4	5
54-21067-01	Module, Console Extender	2	21
54-21071-01	Module, DSSI	4	6
54-21073-01	Module, CAMP	2	18
54-21085-01	Module, MMBFT	1	22
54-21087-01	Module, Centerplane	6	1
54-22126-01	Module, Fan Current Sensor	2	19
54-22130-01	Module, Zone Control	2	20
56CAA-XA	VAXft 810 (32MB) TALL CAB KERNEL	1	N/A
70-28984-01	DOOR ASSEMBLY, FRONT BOTTOM	8	N/A
70-28984-01	DOOR ASSEMBLY, TOP FRONT	1	9
70-28984-01	DOOR ASSEMBLY, TOP FRONT	7	N/A
70-28985-01	Panel Weldment, Top Inner	7	2
70-28986-01	DOOR ASSEMBLY, BOTTOM FRONT	1	10
70-28987-01	Panel Weldment, Outer Bottom	8	1
70-28988-01	Frame Assembly, Zone	2	5
70-28989-01	CENTERPLANE ASSEMBLY	2	6
70-28989-01	CENTERPLANE ASSEMBLY	6	N/A
70-28990-01	FAN TRAY ASSEMBLY	5	N/A
70-28990-01	TRAY ASSEMBLY, FAN	2	7
70-28991-01	Frame Assembly, CPU	1	7
70-29919-01	Bracket Weldment, Hinge, Front Top	3	6
70-29952-01	Door Assembly, 600mm (Full Vented)	3	5
70-29955-02	Cover Assembly, Top	3	2
70-29970-01	Bracket, Assembly, Front (LH)	3	7
70-29970-02	Bracket, Assembly, Front (RH)	3	8
70-29980-01	Grill Assembly, Door 600mm w/ Return	8	7
70-30369-01	Bracket, Weldment, Top Pin Collar (LH)	3	4
70-30370-02	Collar Assembly, Non-shielded w/Latch	3	3
70-30395-01	FRAME ASSEMBLY, 600MM MH, NVT, WSL	3	1
70-30569-01	DRAWER ASSEMBLY, DSSI DISK	4	N/A
70-30589-01	Drawer Assembly, Laptop	1	8
70-30590-01	Frame Assembly, Fan Tray	5	1
70-30593-01	Plug Assembly, Upper	2	8
70-30602-01	Cover Assembly, Pcard Blank	1	11
70-30603-01	Cover Assembly, Test Blank	1	12
70-30604-01	Cover Assembly, I/O-DAT Blank	1	13
70-30605-01	Cover Assembly, I/O Blank	1	14
70-30606-01	Filler Assembly, 48V	1	15
70-30608-01	Cover Assembly, Disk Blank	2	10
70-30619-01	Handle Assembly, Zone Control	2	9
70-30620-01	Hinge Weldment, L.H.	1	19
70-30621-01	Hinge Weldment, R..H.	1	20

**INDEX BY DEC PART NUMBER**  
VAXft 810 System

PART NO.	DESCRIPTION	FIG NO.	ITEM NO.
70-30622-01	Panel Weldment, Top Outer	7	1
70-30623-01	Holder Assembly, Top Module	1	16
70-30624-01	Holder Assembly, Middle Module	1	17
70-30625-01	Holder Assembly, Bottom	1	18
70-30626-01	Plug Assembly, Lower	2	11
70-30627-01	Extractor Assembly, Module	1	21
74-34431-01	Support, Spring	5	6
74-36154-01	Bar, Nut ,9.35 Inch Long	3	13
74-36154-02	Bar, Nut, 2.35 Inch Long	3	14
74-36154-03	Bar, Nut 4.73 Inch Long	3	15
74-36155-0	Bracket, Rail 1	3	17
74-36464-01	Bar, Insert Nut	3	16
74-44869-01	Handle, Latch	7	6
74-44869-01	Handle, Latch	8	6
74-44870-01	Bracket, Frame Latch	3	9
74-45152-01	Bar, FV1	6	2
74-45153-01	Bar, FV24	6	3
74-45154-01	Bar, FV3	6	4
74-45156-01	Bar, FV5	6	5
74-45157-01	Bar, FH1	6	6
74-45158-01	Bar, FH2	6	7
74-45159-01	Bar, RH1	6	8
74-45160-01	Bar, RH2	6	9
74-45161-01	Bar, RH3	6	10
74-45162-01	Bar, RH4	6	11
74-45163-01	Bar, FH3	6	12
74-45183-01	Cover, LDC	4	4
74-45204-01	Rail, Bottom	2	17
74-45205-01	Rail, Top	2	12
74-45210-01	Plate, Nut	2	13
74-45211-01	Rail, CPU	2	14
74-45497-01	Bracket, Rear Mounting	1	25
74-45844-01	Drawer, Disk	4	1
74-45845-01	Bracket, LCD Mounting	4	2
74-45852-01	Vane, Turning	2	15
74-45853-01	Airseal, BP, I/O	6	13
74-45854-01	Airseal, BP, CAMP	6	14
74-45856-01	Plate, Anti-Recirculation	1	23
74-45857-01	Bracket, Top Rear Mounting	1	26
74-45899-01	Vane, Upper Turning	2	16
74-45953-01	Filler, left Front	4	3
74-46313-01	Retainer	3	10
74-46313-02	Retainer	3	11
74-46515-01	Rail, Side	3	12
74-46570-01	Flange, Window	8	4
74-46570-01	Window	7	3
74-46570-01	Window	8	5
74-46571-01	Grill, Upper Air	7	5
74-46572-01	Panel, Bottom Door Inner	8	2
74-46573-01	Cap, Lower Door	8	3
74-46597-01	Block, Air Dam	6	17
74-46642-01	Flange, Window	7	4
74-47095-01	Plate, Hinge Mounting	1	24

**INDEX BY DEC PART NUMBER**  
VAXft 810 System

PART NO.	DESCRIPTION	FIG NO.	ITEM NO.
74-47336-01	Holder, Extractor Tool	1	27
90-00003-23	Washer, Flat Nylon	1	56
90-00003-23	Washer, Flat Nylon	3	38
90-00030-40	Rivet, Blind Lo-pro 0.156DX	7	10
90-00030-40	Rivet, Blind Lopro 0.156DX	8	10
90-00039-02	Screw, Machine Flat Hd No. 10-32 x .750	2	31
90-00039-25	Screw, Machine No. 10-32 Flat Hd .375 XRCS	5	3
90-00063-13	Screw, Thrl No. 6-32 x .500 XRCS TRS	6	15
90-00067-42	Screw, Thrl No. 10-32 Flt .625 XRCS	3	47
90-06020-01	Screw, Machine Pan Hd No. 6-32 x .250	2	33
90-06022-01	Screw, Machine Pan Hd No. 6-32 x .375	2	30
90-06022-01	Screw, Machine Pan Hd No. 6-32 x .375	4	21
90-06035-01	Screw, Machine No. 8-32 Pan x .312 XRCS	1	48
90-06073-01	Screw, Machine Pan Hd No. 10-32 x .500	2	32
90-06077-01	Screw, Machine Pan Hd No. 10-32 x 1 Inch	2	35
90-06081-01	Screw, Machine Pan Hd No. 10-32 x 2 Inch	2	29
90-06346-08	Screw, Cap No. 10-32 x .500	1	57
90-06355-08	Screw, Captive Hex Hd No. 10-24	2	36
90-06372-08	Screw, Cap Hex Hd No. 1/4-20 x .750	1	45
90-06560-00	Nut, Keps No. 6-32 x .321 AF	7	9
90-06560-00	Nut, Keps No. 6-32 x .312 AF	8	11
90-06565-00	Nut, Keps No. 10-32 .375 AF	3	41
90-06565-00	Nut, Keps No. 10-32 X .375	1	42
90-06668-00	Washer, Flat	3	35
90-06668-01	Washer, Flat	1	49
90-06676-00	Washer, Flat	3	36
90-07031-00	Tie, Cable Bundle	4	18
90-07651-00	Washer, Lock External Steel	3	42
90-07651-01	Washer, Lock External Steel	1	51
90-07786-02	Nut, U-Nut No. 10-32 (0.62L x 0.510W)	3	40
90-07786-02	Nut, U-Nut No. 10-32 (.620L x .510W)	1	44
90-07883-00	Nut, Hex No. 6-32	4	23
90-08055-00	Nut, Hex Self Locking Nylon Ins No. 6-32	5	8
90-08264-00	Mount, Cable Tie	4	22
90-08323-00	Screw, Sems Slot No. 10-32 Hex x .620	1	46
90-08325-08	Screw, Cap Hex Sock No. 6-32	6	16
90-08406-02	Screw, Machine Flat Hd No. 6-32 x .375	4	20
90-08508-01	Screw, Machine No. 10-32 x .625 XRC	1	50
90-09054-00	Rivet, Blind Dome 0.125D x 0.337LG	7	11
90-09054-00	Rivet, Blind Dome 0.125D x 0.337LG	8	11
90-09241-00	Rivet, Blind Dome	3	37
90-09636-00	Clamp, Cable Adh. Mount	2	34
90-09988-05	Screw, Sems Slot Hex Hd No 10-32 x .500	1	47
90-09988-05	Screw, Sems Slot No. 10-32 Hex .500	3	39
90-10556-09	Screw, Pan Hd Mach No. 3.5 8mm XRCS	1	43
90-10556-17	Screw, Machine Pan Hd No. 3.5 x 8mm	2	37
90-10586-01	Nut, Keps No. 4-40 x .250	4	19
90-10830-02	Standoff, Round No. 10-32	3	45
90-11290-01	Stud, Receiver	7	7
90-11290-01	Stud, Receiver .50 OD	8	9
90-40004-05	Screw, Self Tap M5 HXW 10mm XRCS	3	43

**INDEX BY DEC PART NUMBER**  
VAXft 810 System

PART NO.	DESCRIPTION	FIG NO.	ITEM NO.
90-4004-11	Screw, Thrl, M6 HXW, 16mm XRCS	3	44
90-40219-01	Screw, Machine M5 HXW 16mm Lng	3	34
BA22H-AA	ENCLOSURE, VAXft 810 POWERED ZONE (120V/240V)	2	N/A
BA22H-AA	ENCLOSURE, VAXft 810 ZONE POWERED	1	1
BA22J-AE	EXPANDER UNIT ASSEMBLY, VAXft 810	3	N/A
BA22J-AJ	EXPANDER UNIT ASSEMBLY, VAXft 810	3	N/A
BC22E-25	Cable, 25 Ft ASYNC, 16 Wire Shielded	1	54
CK-KDXDA-BA	Kit, DSSI Cab (Not Shown)	1	52
H7178-AA	Converter Unit, DC-DC (3.3V)	2	2
H7179-AA	Converter Unit, DC-DC (5V)	2	3
H7851-AA	Controller, Power System	2	4
H7884-AA	Power Supply, ZVS Front End	2	1
H9C00-SB	Joiner Kit, H9A00 Series (Wide)	3	23
H9C00-UD	Expansion Trim Kit, 600mm w/Rear Door	3	24
KA560-AA	Module, VAXft 810 CPU 12NS NVAX+	1	2
KD560-AA	Module, VAXft 810 Initial I/O Proc	1	3
KDXDA-AA	Module, DSSI Adapter To I132T System Bus	1	5
KDXRA-AA	Module, NI Adapter to I132T Sys Bus/T/Thin Ethernet	1	6
MS560-AA	Module, 32 MB Pair ECC Fault Tolerant	1	4
MS560-BA	Module, 64 MB Pair ECC Fault Tolerant	1	4
SF35-BK	Storage Array, 1.7 GB DSSI Half-Rack SF35	3	48
SF35-HK	Storage Array, 5.1 GB DSSI Half-Rack SF35	3	49
SF35-JK	Storage Array, 10.2 GB DSSI Half-Rack SF35	3	50
SF73-HK	Storage Array, 4 GB DSSI Half-Rack SF73	3	51
SF73-JK	Storage Array, 8 GB DSSI Half-Rack SF73	3	52
TF857-AA	Tape Subsystem, TF857 18 GB (120V)	3	54
TF857-AB	Tape Subsystem, TF857 18 GB (240V)	3	55
TF85C-BA	Tape Loader & Mounting Kit, TF85C (TF85B-AA+H229-AA)	3	53

INDEX BY DEC PART NUMBER  
VAXft 810 System

PART NO.	DESCRIPTION	FIG NO.	ITEM NO.
----------	-------------	------------	-------------

---

THIS PAGE INTENTIONALLY LEFT BLANK



# INDEX BY DEC PART DESCRIPTION

VAXft 810 System

DESCRIPTION	DEC PART NO.	FIG. NO.	ITEM NO.
Airseal, BP, CAMP	74-45854-01	6	14
Airseal, BP, I/O	74-45853-01	6	13
Bar, FH1	74-45157-01	6	6
Bar, FH2	74-45158-01	6	7
Bar, FH3	74-45163-01	6	12
Bar, FV1	74-45152-01	6	2
Bar, FV24	74-45153-01	6	3
Bar, FV3	74-45154-01	6	4
Bar, FV5	74-45156-01	6	5
Bar, Insert Nut	74-36464-01	3	16
Bar, Nut ,9.35 Inch Long	74-36154-01	3	13
Bar, Nut 4.73 Inch Long	74-36154-03	3	15
Bar, Nut, 2.35 Inch Long	74-36154-02	3	14
Bar, RH1	74-45159-01	6	8
Bar, RH2	74-45160-01	6	9
Bar, RH3	74-45161-01	6	10
Bar, RH4	74-45162-01	6	11
Block, Air Dam	74-46597-01	6	17
Blower, Backward Incline (24V DC)	12-27848-01	5	2
Bracket Weldment, Hinge, Front Top	70-29919-01	3	6
Bracket, Assembly, Front (LH)	70-29970-01	3	7
Bracket, Assembly, Front (RH)	70-29970-02	3	8
Bracket, Frame Latch	74-44870-01	3	9
Bracket, LCD Mounting	74-45845-01	4	2
Bracket, Rail 1	74-36155-0	3	17
Bracket, Rear Mounting	74-45497-01	1	25
Bracket, Top Rear Mounting	74-45857-01	1	26
Bracket, Weldment, Top Pin Collar (LH)	70-30369-01	3	4
Cable Assembly, DSSI Pcard to Disk In (Not Shown)	17-03537-01	1	5A
Cable Assembly, 15 Cond	17-03808-01	4	10
Cable Assembly, 15 Cond	17-03808-02	4	11
Cable Assembly, 17 Cond, FCSB To Blackplane	17-03512-01	2	22
Cable Assembly, 3 Cond, Fan Tray to FCSB	17-03513-01	2	23
Cable Assembly, 3 Cond, Fan to Fan Tray	17-03514-01	5	4
Cable Assembly, 34 Cond	17-03807-01	4	12
Cable Assembly, 34 Cond	17-03811-01	4	7
Cable Assembly, 40 Cond Flat	17-01148-03	2	24
Cable Assembly, 45 Cond	17-03809-01	4	9
Cable Assembly, DSSI Signal for Disk Drawer	17-03700-01	4	13
Cable, (Green) 1MC 10 MA	11-18799-05	2	38
Cable, (Red) 1MC 10 MA	11-18799-04	2	39
Cable, 25 Ft ASYNC, 16 Wire Shielded	BC22E-25	1	54
Cap, Lower Door	74-46573-01	8	3
Cable Assembly, Nylon 40.0 Inch Lg	12-15700-07	1	39
CENTERPLANE ASSEMBLY	70-28989-01	2	6
CENTERPLANE ASSEMBLY	70-28989-01	6	N/A
Chassis Slide, Ball BRG	12-38881-02	1	38
Clamp. Cable Adh, Mount	90-09636-00	2	34
Clip, Adh Backed Cable	12-21249-01	2	42
Clip, Adh Backed Cable	12-21249-01	5	5
Collar Assembly, Non-shielded w/Latch	70-30370-02	3	3
Controller, Power (120V 24A) 1 PH 6 Outlets	30-35415-01	3	25
Controller, Power (240V 16A) 1 PH 6 Outlets	30-35415-02	3	26

**INDEX BY DEC PART DESCRIPTION**  
VAXft 810 System

DESCRIPTION	DEC PART NO.	FIG. NO.	ITEM NO.
Controller, Power System	H7851-AA	2	4
Converter Unit, DC-DC (3.3V)	H7178-AA	2	2
Converter Unit, DC-DC (5V)	H7179-AA	2	3
Cord, Power 3 x 12 SJT (Not Shown)	17-00083-56	1	44
Cord, Power 54 Inch (Not Shown)	17-00442-39	3	31
Cord, Power 78 Inch Not Shown)	17-00442-40	3	32
Cover Assembly, Disk Blank	70-30608-01	2	10
Cover Assembly, I/O Blank	70-30605-01	1	14
Cover Assembly, I/O-DAT Blank	70-30604-01	1	13
Cover Assembly, Pcard Blank	70-30602-01	1	11
Cover Assembly, Test Blank	70-30603-01	1	12
Cover Assembly, Top	70-29955-02	3	2
Cover, LDC	74-45183-01	4	4
Door Assembly, 600mm (Full Vented)	70-29952-01	3	5
DOOR ASSEMBLY, BOTTOM FRONT	70-28986-01	1	10
DOOR ASSEMBLY, FRONT BOTTOM	70-28984-01	8	N/A
DOOR ASSEMBLY, TOP FRONT	70-28984-01	1	9
DOOR ASSEMBLY, TOP FRONT	70-28984-01	7	N/A
DRAWER ASSEMBLY, DSSI DISK	70-30569-01	4	N/A
Drawer Assembly, Laptop	70-30589-01	1	8
Drawer, Disk	74-45844-01	4	1
ENCLOSURE, VAXft 810 POWERED ZONE (120V/240V)	BA22H-AA	2	N/A
ENCLOSURE, VAXft 810 ZONE POWERED	BA22H-AA	1	1
EXPANDER UNIT ASSEMBLY, VAXft 810	BA22J-AE	3	N/A
EXPANDER UNIT ASSEMBLY, VAXft 810	BA22-AJ	3	N/A
Expansion Trim Kit, 600mm w/Rear Door	H9C00-UD	3	24
Extractor Assembly, Module	70-30627-01	1	21
FAN TRAY ASSEMBLY	70-28990-01	5	N/A
Filler Assembly, 48V	70-30606-01	1	15
Filler, left Front	74-45953-01	4	3
Flange, Window	74-46570-01	8	4
Flange, Window	74-46642-01	7	4
FRAME ASSEMBLY, 600MM MH, NVT, WSL	70-30395-01	3	1
Frame Assembly, CPU	70-28991-01	1	7
Frame Assembly, Fan Tray	70-30590-01	5	1
Frame Assembly, Zone	70-28988-01	2	5
Gasket, EMI/RFI, Tube	12-37248-02	2	26
Grill Assembly, Door 600mm w/ Return	70-29980-01	8	7
Grill, Upper Air	74-46571-01	7	5
Ground Strap	12-13756-12	1	3
Handle Assembly, Zone Control	70-30619-01	2	9
Handle, Frefal Round	12-27116-02	4	15
Handle, Latch	74-44869-01	7	6
Handle, Latch	74-44869-01	8	6
Harness Assembly, 15 Cond	17-03810-01	4	8
Harness Assembly, ESD Wrist Strap & Pouch	12-24023-04	1	40
Harness Assembly, w/Module & Handle Attached	17-03710-01	1	28
Hinge Weldment, L.H.	70-30620-01	1	19
Hinge Weldment, R.H.	70-30621-01	1	20
Holder Assembly, Bottom	70-30625-01	1	18
Holder Assembly, Middle Module	70-30624-01	1	17

# INDEX BY DEC PART DESCRIPTION

VAXft 810 System

DESCRIPTION	DEC PART NO.	FIG. NO.	ITEM NO.
Holder Assembly, Top Module	70-30623-01	1	16
Holder, Extractor Tool	74-47336-01	1	27
Jumper Plug, 20 Pos	17-03857-01	1	41
Joiner Kit, H9A00 Series (Wide)	H9C00-SB	1	23
Key, Cabinet Door (Not Shown)	12-26339-01	1	55
Kit, DSSI Cab	CK-KDXDA-BA	1	52
Label, "Unit Has More Than One P/S Cord"	36-36761-01	1	35
Label, Adh Back Mylar Cap	36-13272-01	1	36
Label, Adh. Back, Mylar Cap	36-13272-00	3	28
Label, Attention Pre-installed Software	36-28979-01	1	29
Label, Bar I/O	36-41049-01	1	31
Label, Bar, Zone A	36-41049-02	1	32
Label, Bar, Zone A & B	36-41049-04	1	34
Label, Bar, Zone B	36-41049-03	1	33
Label, Disk Control	36-41039-01	4	16
Label, Disk Drawer Configuration	36-41048-01	4	17
Label, Regulatory	36-27838-69	1	30
Label, Regulatory	36-27838-70	3	29
Label, Regulatory	36-27838-71	3	30
Label, Warning Cabinet Stabilizer	36-37532-01	3	27
Latch, Self-Closing	12-38557-01	7	8
Latch, Self-Closing	12-38557-01	8	8
Module, 32 MB Pair ECC Fault Tolerant	MS560-AA	1	4
Module, 64 MB Pair ECC Fault Tolerant	MS560-BA	1	4
Module, CAMP	54-21073-01	2	18
Module, Centerplane	54-21087-01	6	1
Module, Console Extender	54-21067-01	2	21
Module, DSSI Adapter To I132T System Bus	KDXDA-AA	1	5
Module, DSSI	54-21071-01	4	6
Module, Fan Current Sensor	54-22126-01	2	19
Module, LDC	54-20868-01	4	5
Module, MMBFT	54-21085-01	1	22
Module, NI Adapter to I132T Sys Bus/T/Thin Ethernet	KDXRA-AA	1	6
Module, VAXft 810 CPU 12NS NVAX+	KA560-AA	1	2
Module, VAXft 810 Initial I/O Proc	KD560-AA	1	3
Module, Zone Control	54-22130-01	2	20
Mount, Cable Tie	90-08264-00	4	22
Nut, Hex No. 6-32	90-07883-00	4	23
Nut, Hex Self Locking Nylon Ins No. 6-32	90-08055-00	5	8
Nut, Keps No, 6-32 x .321 AF	90-06560-00	7	9
Nut, Keps No. 10-32 .375AF	90-06565-00	3	41
Nut, Keps No. 10-32 X .375	90-06565-00	1	42
Nut, Keps No. 4-40 x .250	90-10586-01	4	19
Nut, Keps No. 6-32 x .312AF	90-06560-00	8	11
Nut, U-Nut No. 10-32 0.62L x 0.510W	90-07786-02	3	40
Nut, U-Nut No. 10-32 x .620L x .510W	90-07786-02	1	44
Package Assembly (Not Shown)	37-01309-02	3	33
Package Assembly (Not Shown)	37-01455-01	4	24
Package Assembly (Not Shown)	37-01309-03	1	53
Panel Weldment, Outer Bottom	70-28987-01	8	1

**INDEX BY DEC PART DESCRIPTION**  
VAXft 810 System

DESCRIPTION	DEC PART NO.	FIG. NO.	ITEM NO.
Panel Weldment, Top Inner	70-28985-01	7	2
Panel Weldment, Top Outer	70-30622-01	7	1
Panel, Bottom Door Inner	74-46572-01	8	2
Plate, Anti-Recirculation	74-45856-01	1	23
Plate, Hinge Mounting	74-47095-01	1	24
Plate, Nut	74-45210-01	2	13
Plug Assembly, Lower	70-30626-01	2	11
Plug Assembly, Upper	70-30593-01	2	8
Power Supply, ZVS Front End	H7884-AA	2	1
Rail, Bottom	74-45204-01	2	17
Rail, CPU	74-45211-01	2	14
Rail, Side	74-46515-01	3	12
Rail, Top	74-45205-01	2	12
Retainer	74-46313-01	3	10
Retainer	74-46313-02	3	11
Rivet, Blind Dome	90-09241-00	3	37
Rivet, Blind Dome 0.125D x 0.337LG	90-09054-00	7	11
Rivet, Blind Dome 0.125D x 0.337LG	90-09054-00	8	11
Rivet, Blind Lo-pro 0.156DX	90-00030-40	7	10
Rivet, Blind Lopro 0.156DX	90-00030-40	8	10
Rivnut, Hexagon M5 5-2, 15mm Grip	12-14482-04	3	22
Screw, Cap Hex Hd No. 1/4-20 x .750	90-06372-08	1	45
Screw, Captive Hex Hd No. 10-24	90-06355-08	2	36
Screw, Machine M5 HXW 16mm Lng	90-40219-01	3	34
Screw, Machine Flat Hd No. 10-32 x .375 XRCS	90-00039-25	5	3
Screw, Machine Pan Hd No. 10-32 x .500	90-06073-01	2	32
Screw, Machine No. 10-32 x .625 XRC	90-08508-01	1	50
Screw, Machine Flat Hd No. 10-32 x .750	90-00039-02	2	31
Screw, Machine Pan Hd No. 10-32 x 1 Inch	90-06077-01	2	35
Screw, Machine Pan Hd No. 10-32 x 2 Inch	90-06081-01	2	29
Screw, Machine Pan Hd No. 3.5 x 8mm	90-10556-17	2	37
Screw, Machine Pan Hd No. 6-32 x .250	90-06020-01	2	33
Screw, Machine Flat Hd No. 6-32 x .375	90-08406-02	4	20
Screw, Machine Pan Hd No. 6-32 x .375	90-06022-01	2	30
Screw, Machine Pan Hd No. 6-32 x .375	90-06022-01	4	21
Screw, Machine No. 8-32 Pan x .312 XRCS	90-06035-01	1	48
Screw, Pan Hd Mach No. 3.5 8mm XRCS	90-10556-09	1	43
Screw, Self Tap M5 HXW 10mm XRCS	90-40004-05	3	43
Screw, Sems Slot No. 10-32 Hex x .500	90-09988-05	1	47
Screw, Sems Pan Hd No. 10-32 x .343 XRCS	12-21368-03	3	20
Screw, Sems Slot No. 10-32 Hex x .620	90-08323-00	1	46
Screw, Sems Slot No. 10-32 Hex .500	90-09988-05	3	39
Screw, Shld No. 8-32 Round	12-27034-01	1	41
Screw, Shld No. 8-32 Round	12-27034-01	2	25
Screw, Thrl No. 10-32 Flt .625 XRCS	90-00067-42	3	47
Screw, Thrl No. 6- TRS .500 XRCS	90-00063-13	6	15
Screw, Thrl, M6 HXW, 16mm XRCS	90-40004-11	3	44
Screw, Cap Hex Hd No. 6-32	90-08325-08	6	16
Shield, EMI/RFI	12-39975-12	4	14
Shield, EMI/RFI	12-40108-01	2	27
Shield, EMI/RFI	12-40108-02	2	28
Shield, EMI/RFI, BE-CU 208mm	12-35579-03	2	40
Spring, Compression .300 OD x 1.25 LG	12-27235-02	5	7

**INDEX BY DEC PART DESCRIPTION**  
**VAXft 810 System**

DESCRIPTION	DEC PART NO.	FIG. NO.	ITEM NO.
Standoff, Round No. 10-32	90-10830-02	3	45
Storage Array, 1.7 GB DSSI Half-Rack SF35	SF35-BK	3	48
Storage Array, 10.2 GB DSSI Half-Rack SF35	SF35-JK	3	50
Storage Array, 4 GB DSSI Half-Rack SF73	SF73-HK	3	51
Storage Array, 5.1 GB DSSI Half-Rack SF35	SF35-HK	3	49
Storage Array, 8 GB DSSI Half-Rack SF73	SF73-JK	3	52
Strap, Ground	12-13756-12	3	21
Stud, Receiver	90-11290-01	7	7
Stud, Receiver .50 OD	90-11290-01	8	9
Support, Spring	74-34431-01	5	6
Tape Loader & Mounting Kit, TF85C - (TF85B-AA+H229-AA)	TF85C-BA	3	53
Terminator, Connector	12-29258-01	1	5B
Tie, Cable Bundle	90-07031-00	4	18
Tape Subsystem, TF857 18 GB (120V)	TF857-AA	3	54
Tape Subsystem, TF857 18 GB (240V)	TF857-AB	3	55
TRAY ASSEMBLY, FAN	70-28990-01	2	7
Vane, Turning	74-45852-01	2	15
Vane, Upper Turning	74-45899-01	2	16
VAXft 810 (32MB) TALL CAB KERNEL	56CAA-XA	1	N/A
Washer, Flat	90-06668-00	3	35
Washer, Flat	90-06668-01	1	49
Washer, Flat	90-06676-00	3	36
Washer, Flat Nylon	90-00003-23	1	56
Washer, Flat Nylon	90-00003-23	3	38
Washer, Lock External Steel	90-07651-00	3	42
Washer, Lock External Steel	90-07651-01	1	51
Window	74-46570-01	7	3
Window	74-46570-01	8	5

**INDEX BY DEC PART DESCRIPTION**  
VAXft 810 System

DESCRIPTION	DEC PART NO.	FIG. NO.	ITEM NO.
-------------	-----------------	-------------	-------------

---

**THIS PAGE INTENTIONALLY LEFT BLANK**