

# ILLUSTRATED PARTS BREAKDOWN

# DEC 4000 MASS STORAGE DEVICES

**ILLUSTRATED PARTS BREAKDOWN (IPB)**

The IPB is used to identify a part and its location in a hardware product. The document references specific item numbers in the associated parts list.

**HOW TO USE THE IPB**

1. Locate the figure containing the item of interest.
2. Locate the number (callout) of the item of interest.
3. Locate that item number in the associated parts list.

**FORMAT**

Each IPB is generally organized based on its first figure. All other assemblies and subassemblies are referenced from this figure. Each figure contains numeric callouts of all major parts (items).

**PARTS LIST**

Each parts list contains the following:

**Figure and Item No.** – Lists the figure number and its referenced numeric callout

**Description** – Presents the name and a brief description of the item. A single asterisk (\*) preceding the description denotes item is a

subassembly to its referenced figure. A double asterisk (\*\*) preceding the description indicates that this item is subordinate to the preceding single asterisk item.

**DEC Part No.** – Lists the Digital/Vendor part number. The letter in the column heading indicates the current revision level of the Engineering Drawing for the referenced figure.

**ECO Cut-In** – Lists the top assembly drawing number and revision level at first printing. All additional revisions to an item are listed in this column.

**Used On Code** – Lists letters referring to the product variation assigned in Figure 1. When this column is blank, the item is used in all variations.

**Ref Fig No.** – Lists a cross reference between figures within the IPB.

**PART NUMBER/PART DESCRIPTION INDEX SECTION**

Lists items by part number numerically, and description alphabetically. Items are also referenced to a location within the IPB by figure and item number.

**ECO/REVISION HISTORY**

**OTHER IPB  
MANUALS  
REFERENCED**

FIGURE NO.	ASSEMBLY	INITIAL LEVEL	CURRENT LEVEL	PRINTING DATE	OTHER IPB MANUALS REFERENCED
1	XXXXX	XXXXX	XXXXX	24-SEPT-93 2nd Printing	EK-EN430-IP EK-SY430-IP
2	XXXXX	XXXXX	XXXXX		
3	BA6FE-MY	00000	00000		
4	BA6FE-MX	00000	00000		
5	BA6ZE-MY	00000	00000		
6	BA6ZE-MX	00000	00000		
7	BA6ZB-MY	00000	00000		
8	BA6FE-MA	00000	00000		
8	BA6ZE-MA	00000	00000		
9	RF35-MY	00000	00000		
9	RF36-MY	00000	00000		
9	RZ26-MY	00000	00000		
9	RZ28-MY	00000	00000		
10	RF73-MX	00000	00000		
10	RF74-MX	00000	00000		
10	RZ73-MX	00000	00000		
10	RZ74-MX	00000	00000		
11	70-28750	00000	00000		
12	70-28750	00000	00000		
13	70-28750	00000	00000		
14	TLZ06	00000	00000		
15	TZ30	00000	00000		
16	RRD42	00000	00000		
17	70-29439	00000	00000		
18	70-29547	00000	00000		
19	TZ85E-MX	00000	00000		
20	TZ86E-MX	00000	00000		
21	70-28092	00000	00001		
22	70-27050	00000	00003		

Digital Equipment Corporation reserves the right, without notice, to make substitutions and modifications in the specifications of products documented in this manual and further reserves the right to withdraw any of these products from the market without notice.

Digital Equipment Corporation is not responsible for errors which may appear in the technical description (including illustrations and photographs) of the products covered by this manual.

None of the descriptions contained in this manual imply the granting of any license whatsoever to make, use or sell equipment constructed in accordance therewith.

Restricted Rights: Use, duplication or disclosure by the U.S. Government is subject to restrictions as set forth in subparagraph (c) (1) (ii) of the Rights in Technical Data and Computer Software clause at DFARS 252.227-2713.

Copyright © 1992, 1993 by Digital Equipment Corporation. All rights reserved.  
Printed in U.S.A.

The postage-paid READER'S COMMENTS form on the last page of this document requests your critical evaluation to assist us in preparing future documentation.

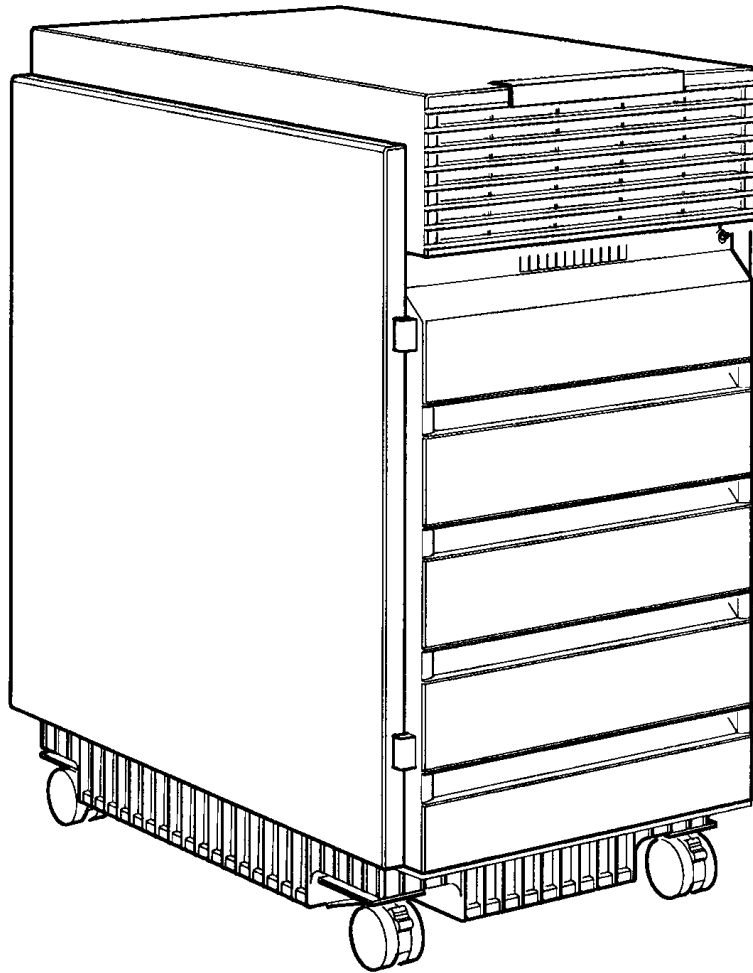
The following are trademarks of Digital Equipment Corporation :

---

AXP, DEC, DECdirect, RF, RRD, RZ, TLZ, TZ, and the DIGITAL logo.

☞ INDICATES FRU LEVEL PARTS.

PARTS LIST

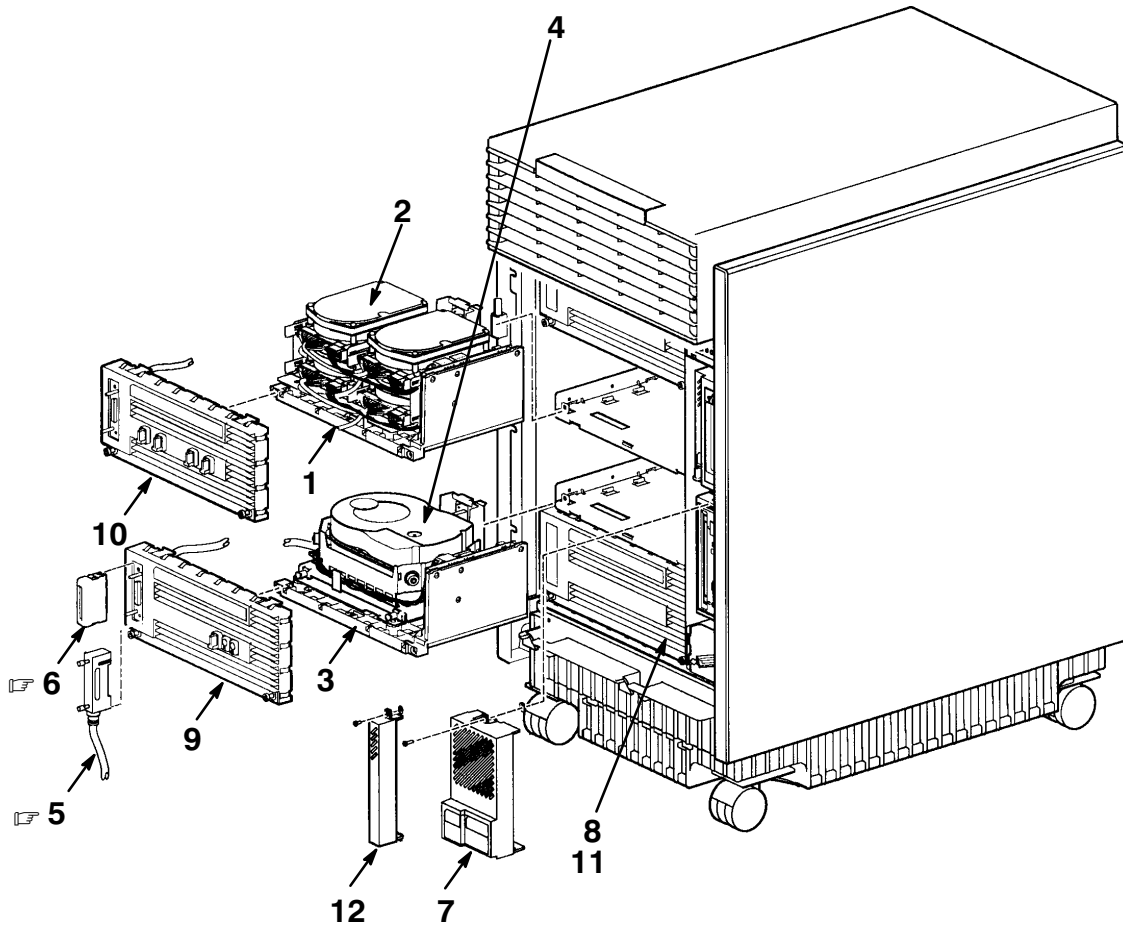


MS430-01-SC

**Figure 1. DSSI Mounting and Cabling Assembly (Sheet 1 of 2)**

☐ ☐ INDICATES FRU LEVEL PARTS.

PARTS LIST



MS430-01-SC

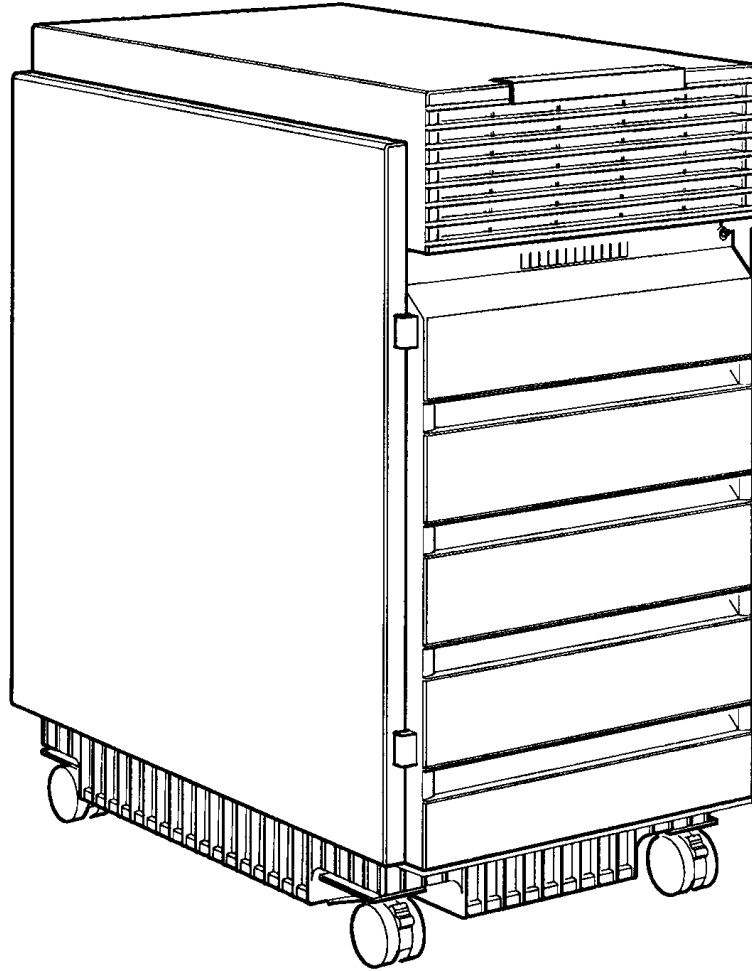
Figure 1. DSSI Mounting and Cabling Assembly (Sheet 2 of 2)

FIG. & ITEM NO.	DESCRIPTION	DEC PART NO.	ECO CUT-IN	USED ON CODE	REF FIG NO.
1-	DSSI MOUNTING AND CABLING ASSEMBLY				
1	*STORAGE TRAY, BA6FE (3 1/2" DSSI)	BA6FE-MY			3
2	*DISK DRIVE ASSEMBLY, RF35 DSSI	RF35-MY			9
	*DISK DRIVE ASSEMBLY, RF36 DSSI	RF36-MY			9
3	*STORAGE TRAY, BA6FE (5 1/4" SCSI)	BA6FE-MX			4
4	*DISK DRIVE ASSEMBLY, RF73	RF73-MX			10
	*DISK DRIVE ASSEMBLY, RF74	RF74-MX			10
5	*Cable Assembly, 50 Cond Molded Micro-D (BC21M-09)	17-02152-03			
6	*Terminator, (DSSI)	12-29258-01			
7	*Bezel, Assembly, Disk Drive (Blank)	70-27049-02			
8	*BEZEL ASSEMBLY (Storageless) (DSSI)	70-28750-06			13
9	*BEZEL ASSEMBLY (DSSI) (5 1/4")	70-28750-08			4,11
10	*BEZEL ASSEMBLY (DSSI) (3 1/2")	70-28750-10			3,11
11	*STORAGELESS TRAY (DSSI)	BA6FE-MA			8
12	*Bezel Assembly, Filler	70-27414-01			

THIS PAGE INTENTIONALLY LEFT BLANK

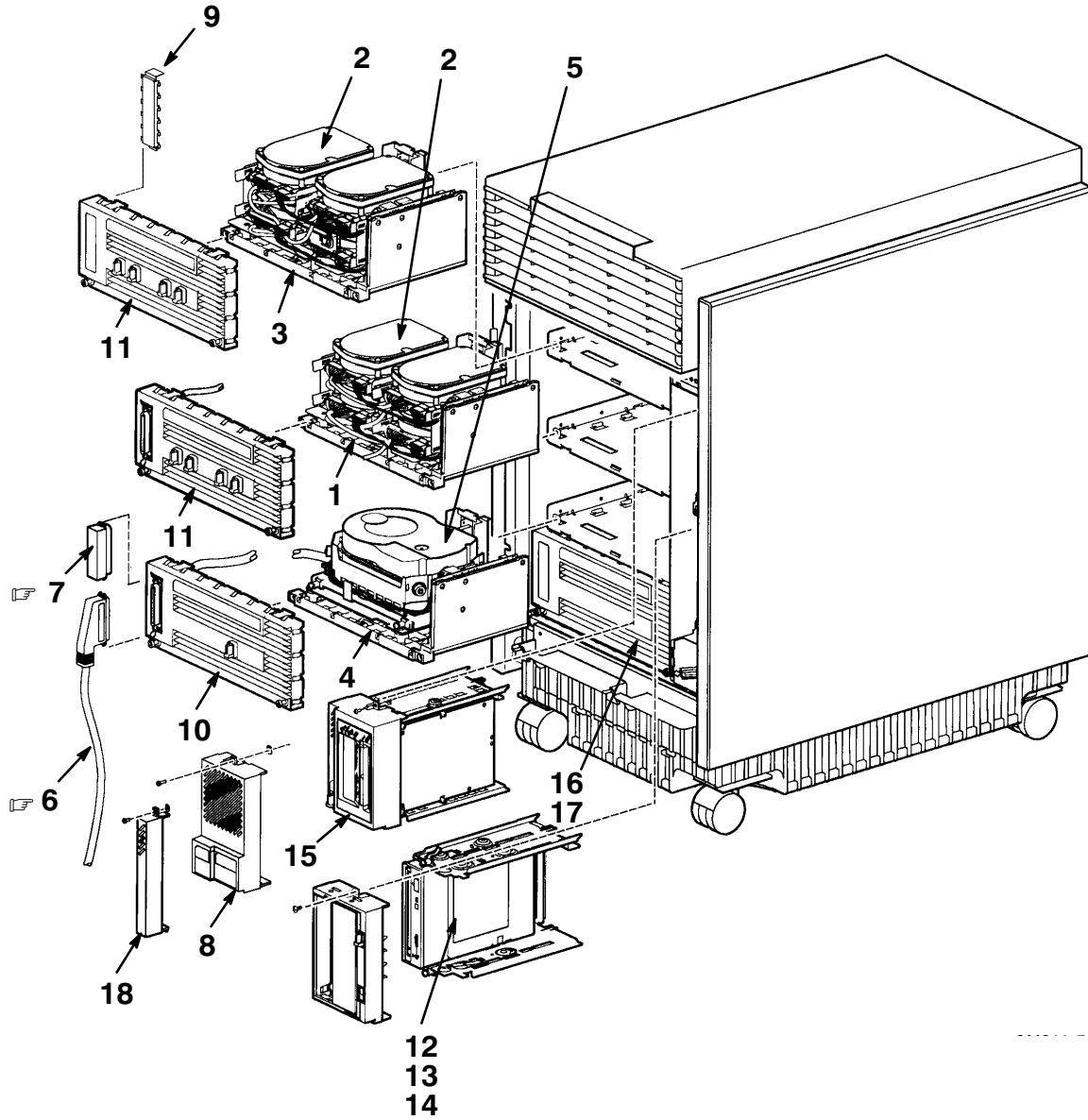
☞ INDICATES FRU LEVEL PARTS.

PARTS LIST



MS430-02-SC

**Figure 2. SCSI Mounting and Cabling Assembly (Sheet 1 of 2)**



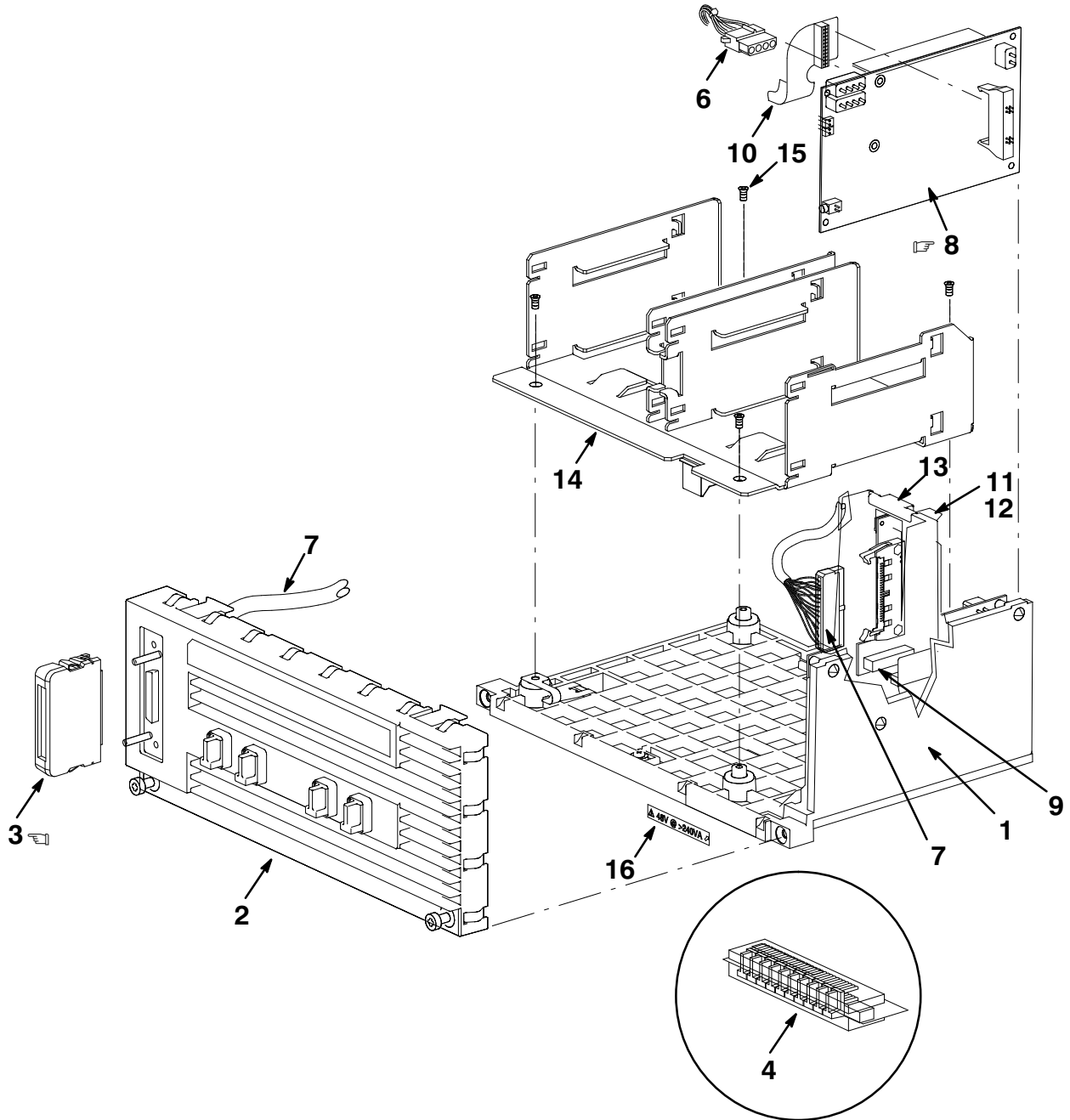
MS430-02A-SC

Figure 2. SCSI Mounting and Cabling Assembly (Sheet 2 of 2)



FIG. & ITEM NO.	DESCRIPTION	DEC PART NO.	ECO CUT-IN	USED ON CODE	REF FIG NO.
2-	SCSI MOUNTING AND CABLING ASSEMBLY				
1	*STORAGE TRAY, BA6ZE (3 1/2" SCSI)	BA6ZE-MY			5
2	*DISK DRIVE ASSEMBLY, RZ26 (SCSI)	RZ26-MY			9
	*DISK DRIVE ASSEMBLY, RZ28 (SCSI)	RZ28-MY			9
3	*STORAGE TRAY, BA6ZB (Fast SCSI)	BA6ZB-MY			7
4	*STORAGE TRAY, BA6ZE (5 1/4" SCSI)	BA6ZE-MX			6
5	*DISK DRIVE ASSEMBLY, RZ73	RZ73-MX			10
	*DISK DRIVE ASSEMBLY, RZ74	RZ74-MX			10
6	*Cable Assembly, 50 Cond, Molded, Shielded (BC06P-06)	17-02659-02			
7	*Terminator (SCSI)	12-30552-01			
8	*Bezel, Assembly, Disk Drive (Blank)	70-27049-02			
9	*Cover, Cable Cutout	74-45702-01			
10	*BEZEL ASSEMBLY (SCSI) (5 1/4")	70-28750-09			12
11	*BEZEL ASSEMBLY (SCSI) (3 1/2")	70-28750-12			12
12	*STORAGE ELEMENT, RRD42	RRD42-XX			16
13	*STORAGE ELEMENT, TZ30	TZ30-XX			15
14	*STORAGE ELEMENT, TLZ06	TLZ06-XX			14
15	*STORAGE ELEMENT, TZ85E	TZ85E-MX			19
	*STORAGE ELEMENT, TZ86E	TZ86E-MX			20
16	*STORAGELESS TRAY (SCSI)	BA6ZE-MA			8
17	*BEZEL ASSEMBLY (Storageless) (SCSI)	70-28750-07			13
18	*Bezel Assembly, Filler	70-27414-01			

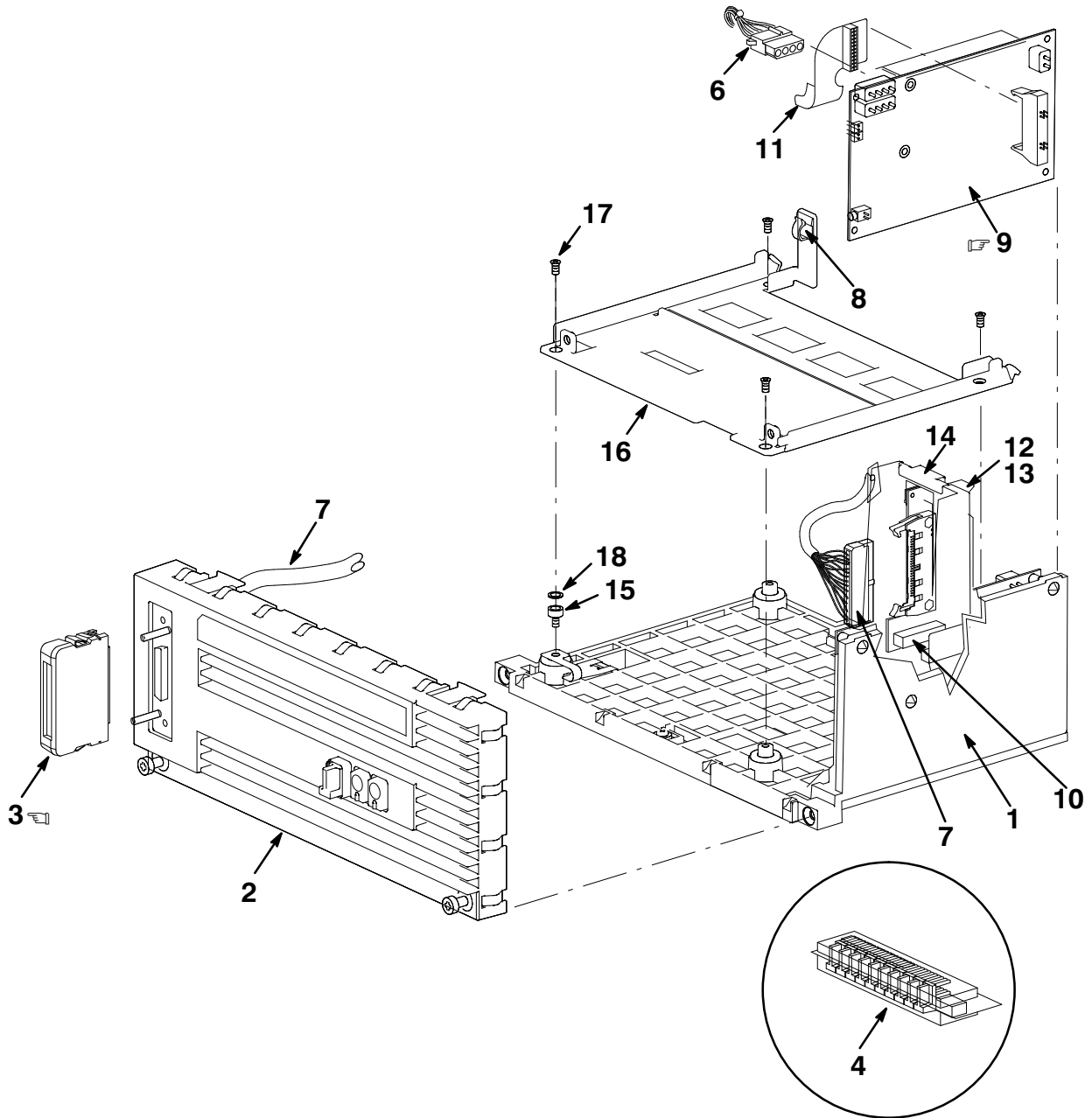
THIS PAGE INTENTIONALLY LEFT BLANK



MS430-03-IL

Figure 3. Storage Tray, BA6FE ( 3 1/2" DSSI)

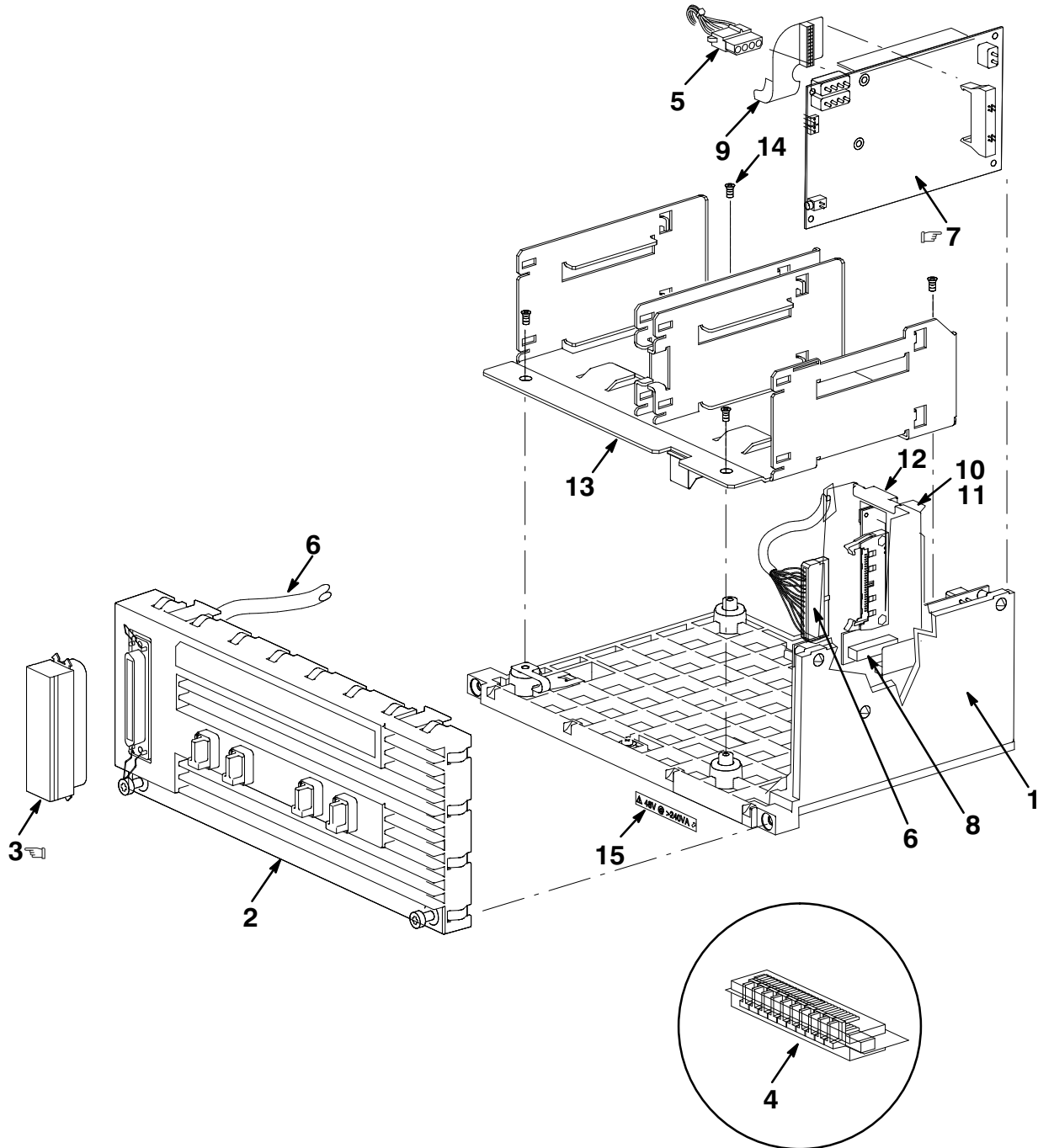
FIG. & ITEM NO.	DESCRIPTION	DEC PART NO. <sup>A</sup>	ECO CUT-IN BA6FE 00000	USED ON CODE	REF FIG NO.
3-	STORAGE TRAY, BA6FE (3 1/2 " DSSI)	BA6FE-MY			1
1	*Base Assembly, M/S	70-29425-01			
2	*BEZEL ASSEMBLY, (DSSI) (3 1/2")	70-28750-10			1,11
3	*Connector, Terminator	12-29258-01			
4	*Encoder Set, Lens	12-28766-19			
5	*Label, "Switch Marker" (Not Shown)	36-18940-02			
6	*Harness Assembly, 04 Cond Power	17-03401-01			
7	*Cable Assembly, I/O (DSSI)	70-28752-02			
8	*Module, Local Disk Converter (LDC)	54-20868-01			
9	*Module, Hard Disk Interface Card	54-21135-01			
10	*Cable Assembly, Flex Circuit	17-03155-01			
11	*Bracket, Interface Board	74-42587-01			
12	*Screw, Pan Hd No. 4-40 x 1/4	90-09315-01			
13	*Clip, Retaining	74-42575-01			
14	*Tray Assembly, Storage	70-28766-01			
15	*Screw, Machine Flat Hd No. 16MM	90-40122-07			
16	*Label, "Device Location"	36-37990-01			
17	*Cable Tie (Not Shown)	90-07880-00			
18	*Package Assembly (Not Shown)	37-01333-01			
	<p>Note: Remote Front Panel cable is part of storage device assemblies.</p>				



MS430-04-IL

Figure 4. Storage Tray, BA6FE (5 1/4" DSSI)

FIG. & ITEM NO.	DESCRIPTION	DEC PART NO. <sup>A</sup>	ECO CUT-IN BA6FE 00000	USED ON CODE	REF FIG NO.
4-	STORAGE TRAY, BA6FE (5 1/4" DSSI)	BA6FE-MX			1
1	*Base Assembly, M/S	70-29425-01			
2	*BEZEL ASSEMBLY (DSSI) (5 1/4")	70-28750-08			1, 11
3	*Connector, Terminator	12-29258-01			
4	*Encoder Set, Lens	12-28766-19			
5	*Label, "Switch Marker" (Not Shown)	36-18940-02			
6	*Harness Assembly, 05 Cond Power	17-03058-01			
7	*Cable Assembly, I/O (DSSI)	70-28752-01			
8	*Clip, Cable Harness	90-08340-00			
9	*Module, Local Disk Converter (LDC)	54-20868-01			
10	*Module, Hard Disk Interface Card	54-21135-01			
11	*Cable Assembly, Flex Circuit	17-03155-01			
12	*Bracket, Interface Board	74-42587-01			
13	*Screw, Pan Hd No. 4-40 x 1/4	90-09315-01			
14	*Clip, Retaining	74-42575-01			
15	*Mount, Shock	12-35414-01			
16	*Tray Assembly, Storage	74-42570-01			
17	*Screw, Machine Flat Hd No. M4 x 6MM	90-11223-01			
18	*O-Ring	90-11323-01			
19	*Package Assembly (Not Shown)	37-01333-01			
	<p>Note: Remote Front Panel cable is part of storage device assemblies.</p>				

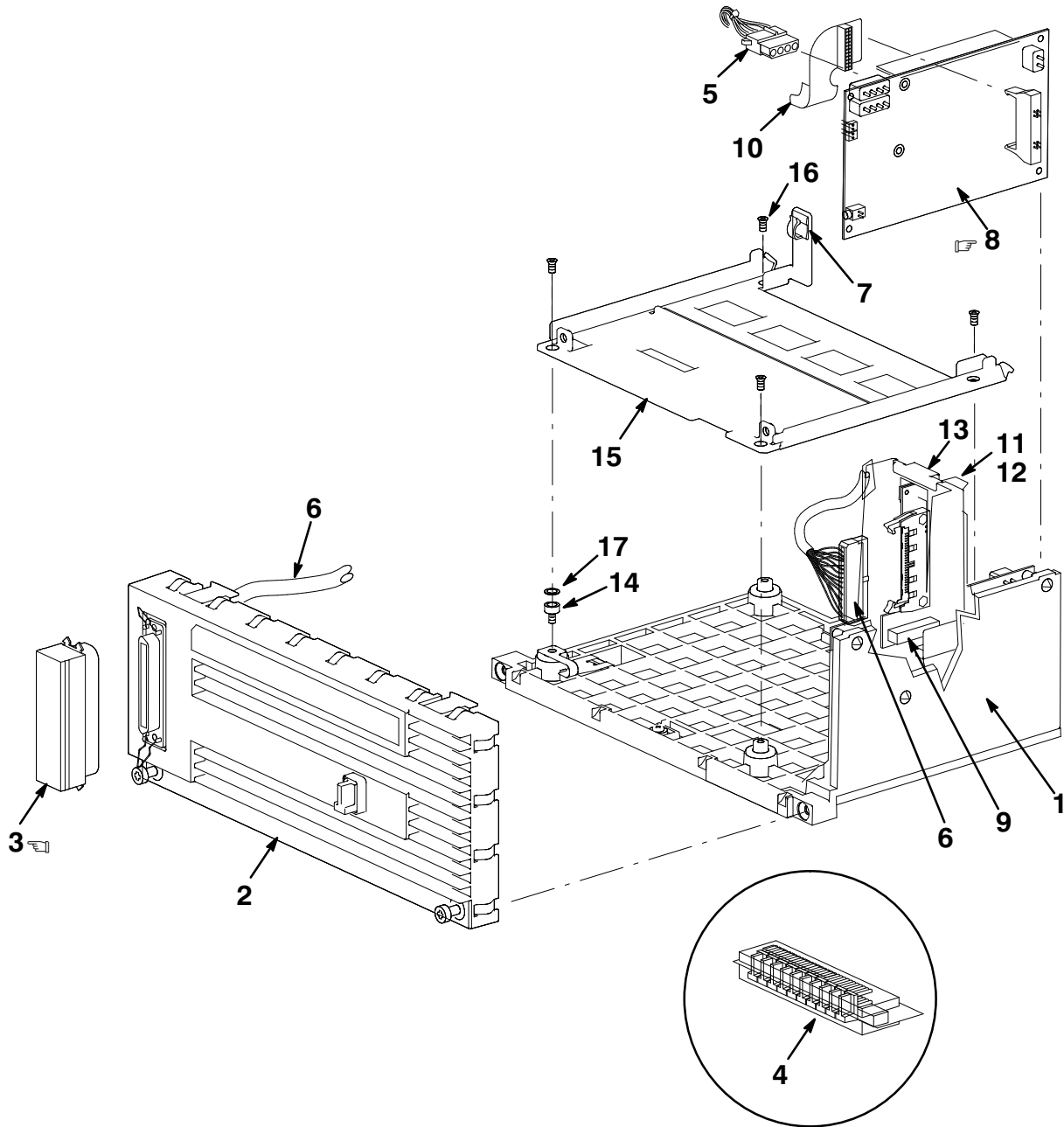


MS430-05-IL

Figure 5. Storage Tray, BA6ZE (3 1/2" SCSI)

FIG. & ITEM NO.	DESCRIPTION	DEC PART NO. <sup>A</sup>	ECO CUT-IN BA6ZE 00000	USED ON CODE	REF FIG NO.
5-	STORAGE TRAY, BA6ZE (3 1/2" SCSI)	BA6ZE-MY			2
1	*Base Assembly, M/S	70-29425-01			
2	*BEZEL ASSEMBLY, (SCSI) (3 1/2")	70-28750-12			2, 12
3	*Connector, Terminator	12-30552-01			
4	*Encoder Set, Lens	12-28766-19			
5	*Harness Assembly, 04 Cond Power	17-03080-02			
6	*Cable Assembly, I/O (SCSI)	70-28753-01			
7	*Module, Local Disk Coverter (LDC)	54-20868-01			
8	*Module, Hard Disk Interface Card	54-21135-01			
9	*Cable Assembly, Flex Circuit	17-03155-01			
10	*Bracket, Interface Board	74-42587-01			
11	*Screw, Pan Hd No. 4-40 x 1/4	90-09315-01			
12	*Clip, Retaining	74-42575-01			
13	*Tray Assembly, Storage	70-28766-01			
14	*Screw, Machine Flat Hd No. 16MM	90-40122-07			
15	*Label, "Device Location"	36-37990-01			
16	*Cable Tie (Not Shown)	90-07880-00			
17	*Package Assembly (Not Shown)	37-01333-01			
	<p>Note: Remote Front Panel cable is part of storage device assemblies.</p>				

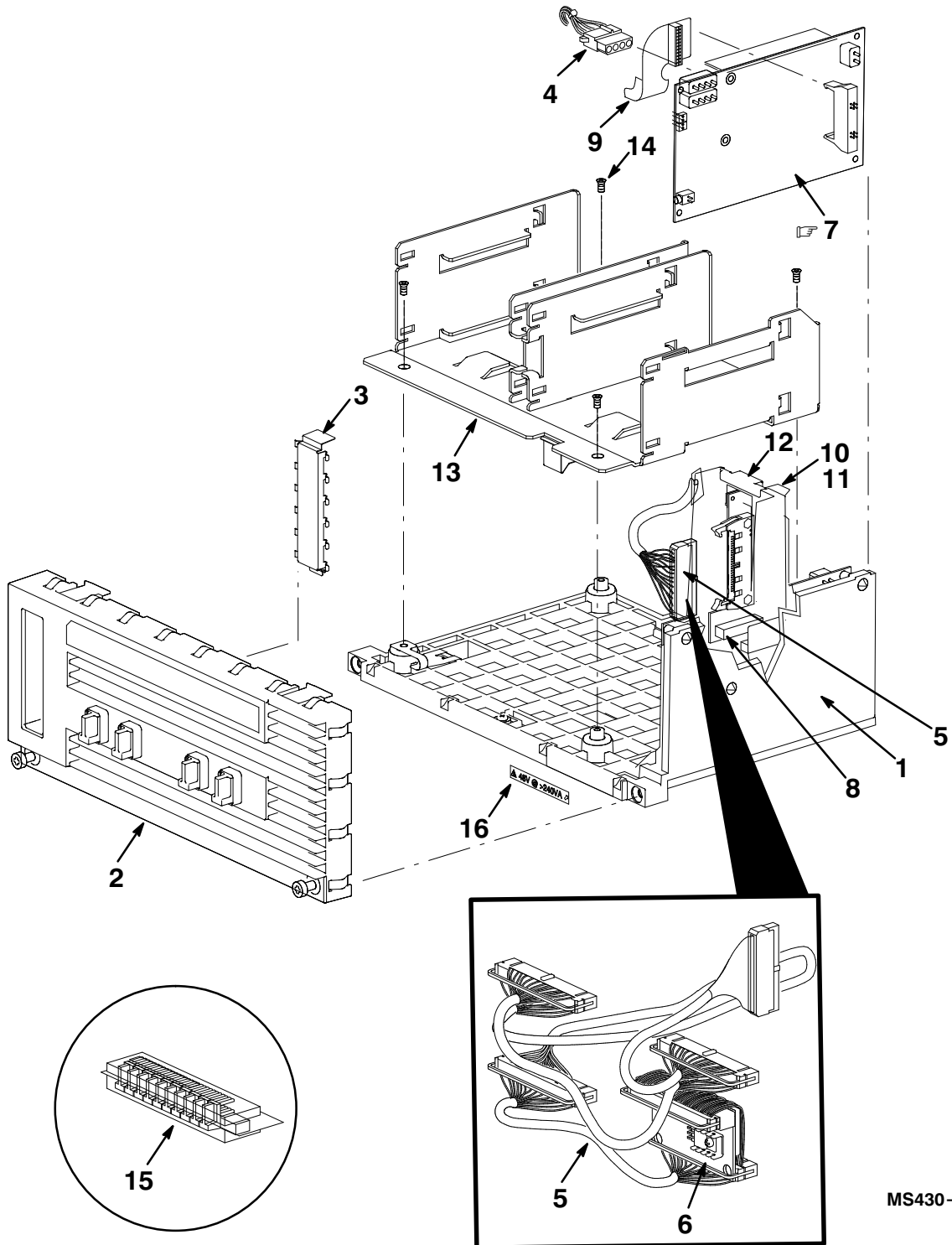




MS430-06-IL

Figure 6. Storage Tray, BA6ZE (5 1/4" SCSI)

FIG. & ITEM NO.	DESCRIPTION	DEC PART NO. <sup>A</sup>	ECO CUT-IN BA6ZE 00000	USED ON CODE	REF FIG NO.
6-	STORAGE TRAY, BA6ZE (5 1/4" SCSI)	BA6ZE-MX			2
1	*Base Assembly, M/S	70-29425-01			
2	*BEZEL ASSEMBLY, (SCSI) (5 1/4")	70-28750-09			2, 12
3	*Connector, Terminator	12-30552-01			
4	*Encoder Set, Lens	12-28766-19			
5	*Harness Assembly, Power	17-01329-02			
6	*Cable Assembly, I/O (SCSI)	70-28753-02			
7	*Clip, Cable Harness	90-08340-00			
8	*Module, Local Disk Converter (LDC)	54-20868-01			
9	*Module, Hard Disk Interface Card	54-21135-01			
10	*Cable Assembly, Flex Circuit	17-03155-01			
11	*Bracket, Interface Board	74-42587-01			
12	*Screw, Pan Hd No. 4-40 x 1/4	90-09315-01			
13	*Clip, Retaining	74-42575-01			
14	*Mount, Shock	12-35414-01			
15	*Tray Assembly, Storage	74-42570-01			
16	*Screw, Machine Flat Hd No. M4 x 6MM	90-11223-01			
17	*O-Ring	90-11323-01			
18	*Package Assembly (Not Shown)	37-01333-01			
	Note: Remote Front Panel cable is part of storage device assemblies.				



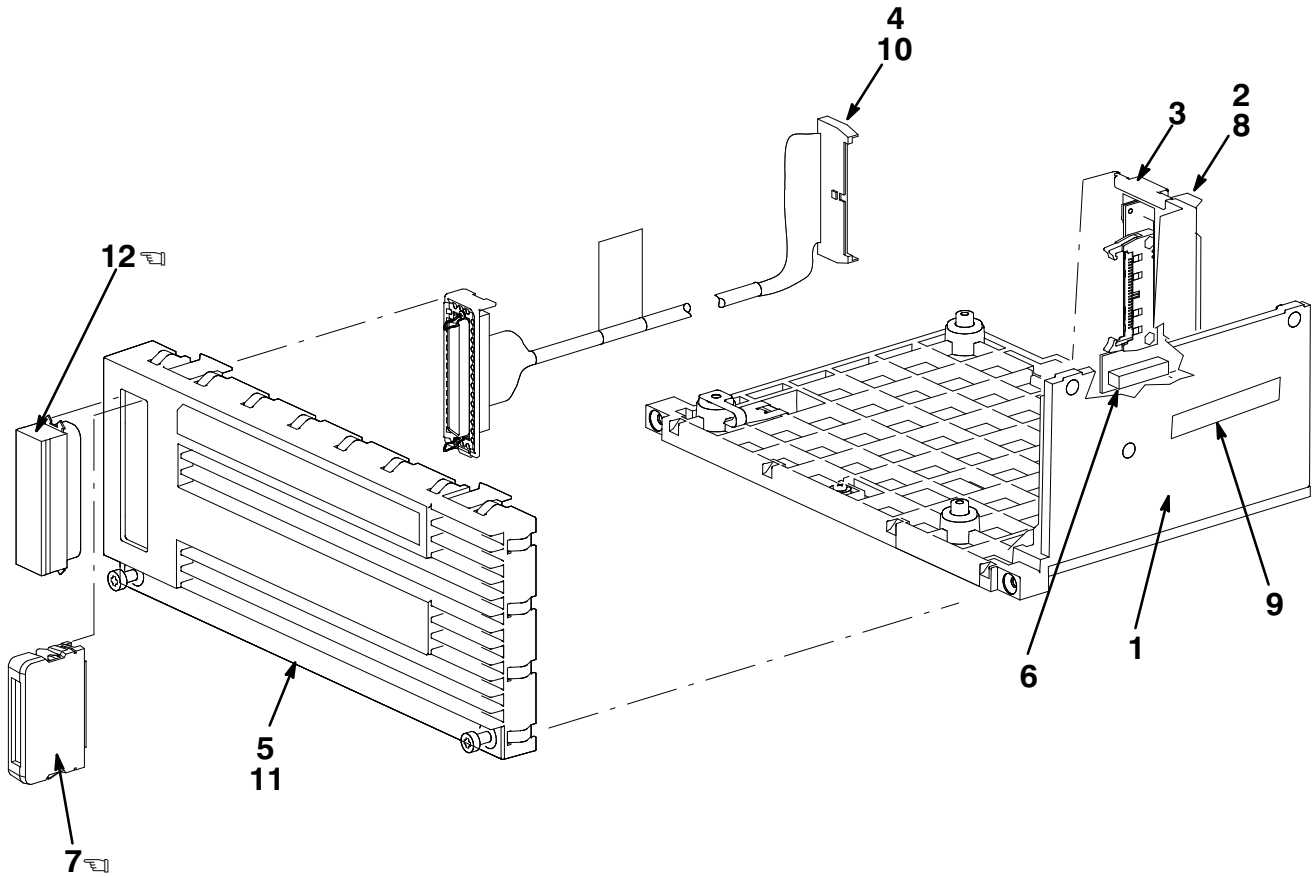
MS430-07-IL

Figure 7. Storage Tray, BA6ZB (Fast SCSI)

FIG. & ITEM NO.	DESCRIPTION	DEC PART NO. <sup>A</sup>	ECO CUT-IN BA6ZB 00000	USED ON CODE	REF FIG NO.
7-	STORAGE TRAY, BA6ZB (FAST SCSI)	BA6ZB-MY			2
1	*Base Assembly, M/S	70-29425-01			
2	*BEZEL ASSEMBLY, (SCSI) (3 1/2")	70-28750-12			2, 12
3	*Cover, Cable Cutout	74-45702-01			
4	*Harness Assembly, 04 Cond Power	17-03080-02			
5	*Cable Assembly, 50 Cond 30AWG	17-03527-01			
6	*Module, SCSI Terminator Board	54-21835-01			
7	*Module, Local Disk Converter (LDC)	54-20868-01			
8	*Module, Hard Disk Interface Card	54-21135-01			
9	*Cable Assembly, Flex Circuit	17-03155-01			
10	*Bracket, Interface Board	74-42587-01			
11	*Screw, Pan Hd No. 4-40 x 1/4	90-09315-01			
12	*Clip, Retaining	74-42575-01			
13	*Tray Assembly, Storage	70-28766-01			
14	*Screw, Machine Flat Hd No. 16MM	90-40122-07			
15	*Encoder Set, Lens	12-28766-19			
16	*Label, "Device Location"	36-37990-01			
17	*Cable Tie (Not Shown)	90-07880-00			
18	*Package Assembly (Not Shown)	37-01333-01			

INDICATES FRU LEVEL PARTS.

PARTS LIST



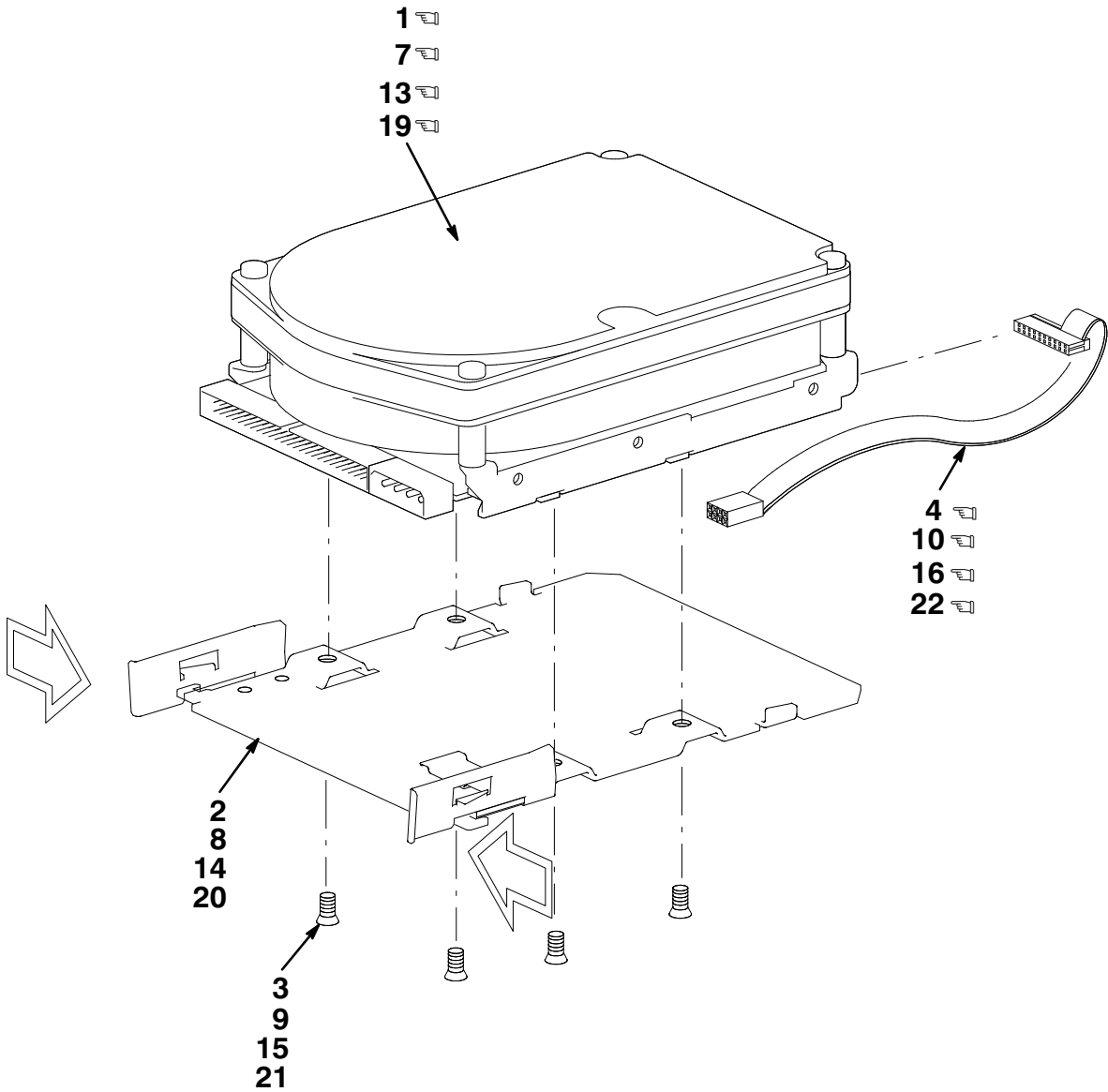
MS430-08-IL

Figure 8. Storageless Tray, (DSSI/SCSI)

FIG. & ITEM NO.	DESCRIPTION	DEC PART NO. <sup>A</sup>	ECO CUT-IN 70-29491 00000	USED ON CODE	REF FIG NO.
8-	STORAGELESS TRAY (DSSI)	BA6FE-MA		A	1
	STORAGELESS TRAY (SCSI)	BA6ZE-MA		B	2
	*STORAGELESS TRAY (DSSI)	70-29491-01		A	
	*STORAGELESS TRAY (SCSI)	70-29491-02		B	
1	**Base Assembly, M/S	74-42295-01			
2	**Bracket, Interface Board	74-42587-01			
3	**Clip, Retaining	74-42575-01			
4	**Cable Assembly, I/O (DSSI)	70-28752-01		A	
5	**BEZEL ASSEMBLY, (Storageless) (DSSI)	70-28750-06		A	13
6	**Module, Fixed Storage Interface Card	54-21135-02			
7	**Connector, Terminator	12-29258-01		A	
8	**Screw, Pan Hd No. 4-40 x 1/4	90-09315-01			
9	**Label, "PV2 Serial"	36-34565-01			
10	**Cable Assembly, (Storageless) (SCSI)	70-28753-02		B	
11	**BEZEL ASSEMBLY, (Storageless) (SCSI)	70-28750-07		B	13
12	**Connector, Terminator	12-30552-01		B	
13	*Package Assembly	37-01333-01			

INDICATES FRU LEVEL PARTS.

PARTS LIST



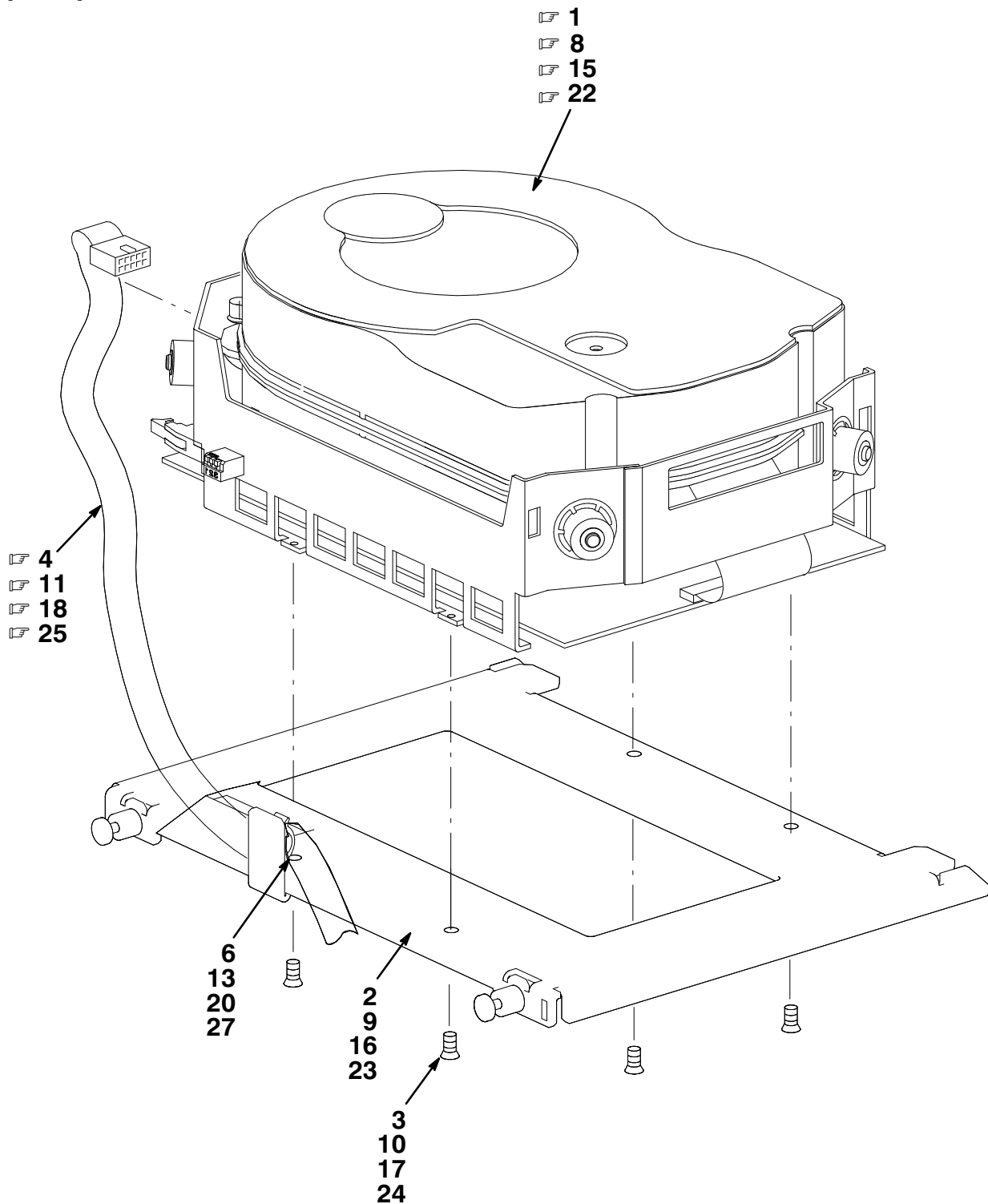
MS430-09-IL

Figure 9. 3 1/2" DSSI Disk Drive Assemblies

FIG. & ITEM NO.	DESCRIPTION	DEC PART NO. <sup>A</sup>	ECO CUT-IN	USED ON CODE	REF FIG NO.
9-	<b>3 1/2" DISK DRIVE ASSEMBLIES</b>				
	<b>*DISK DRIVE ASSEMBLY, RF35 (DSSI)</b>	<b>RF35-MY</b>			<b>1</b>
☞ 1	<b>**Disk Drive Assembly, RF35 (852 MB)</b>	<b>RF35-EA</b>			
2	<b>**Plate Assembly, Drive</b>	<b>70-30283-01</b>			
3	<b>**Screw Machine Flat Hd No. 6-32 X 5/16</b>	<b>90-00039-28</b>			
☞ 4	<b>**Cable Assembly, 28AWG Flat 1MM 20 Pos</b>	<b>17-03428-02</b>			
5	<b>**Documentation, Instruction Sheet (Not Shown)</b>	<b>EK-DS3DR-IN</b>			
6	<b>**Packaging Assembly (Not Shown)</b>	<b>37-01353-06</b>			
	<b>*DISK DRIVE ASSEMBLY, RF36 (DSSI)</b>	<b>RF36-MY</b>			<b>1</b>
☞ 7	<b>**Disk Drive Assembly, RF36 (1.6 GB)</b>	<b>RF36-EA</b>			
8	<b>**Plate Assembly, Drive</b>	<b>70-30283-01</b>			
9	<b>**Screw, Machine Flat Hd No. 6-32 x 5/16</b>	<b>90-00039-28</b>			
☞ 10	<b>**Cable Assembly, 28 AWG Flat 1MM 20 Pos</b>	<b>17-03428-02</b>			
11	<b>**Documentation, Instruction Sheet (Not Shown)</b>	<b>EK-DS3DR-IN</b>			
12	<b>**Packaging Assembly (Not Shown)</b>	<b>37-01353-06</b>			
	<b>*DISK DRIVE ASSEMBLY, RZ26 (SCSI)</b>	<b>RZ26-MY</b>			<b>2</b>
☞ 13	<b>**Disk Drive Assembly, RZ26</b>	<b>RZ26-E</b>			
14	<b>**Plate Assembly, Drive</b>	<b>70-30283-01</b>			
15	<b>**Screw Machine Flat Hd No. 6-32 X 5/16</b>	<b>90-00039-28</b>			
☞ 16	<b>**Cable Assembly, 28AWG Flat 1MM 20 Pos</b>	<b>17-03428-02</b>			
17	<b>**Documentation, Instruction Sheet (Not Shown)</b>	<b>EK-SC3DR-IN</b>			
18	<b>**Packaging Assembly (Not Shown)</b>	<b>37-01353-06</b>			
	<b>*DISK DRIVE ASSEMBLY, RZ28 (SCSI)</b>	<b>RZ28-MY</b>			<b>2</b>
☞ 19	<b>**Disk Drive Assembly, RZ28</b>	<b>RZ28-E</b>			
20	<b>**Plate Assembly, Drive</b>	<b>70-30283-01</b>			
21	<b>**Screw, Machine Flat Hd No. 6-32 x 5/16</b>	<b>90-00039-28</b>			
☞ 22	<b>**Cable Assembly, 28AWG Flat 1MM 20 Pos</b>	<b>17-03428-02</b>			
23	<b>**Documentation, Instruction Sheet (Not Shown)</b>	<b>EK-SC3DR-IN</b>			
24	<b>**Packaging Assembly (Not Shown)</b>	<b>37-01353-06</b>			



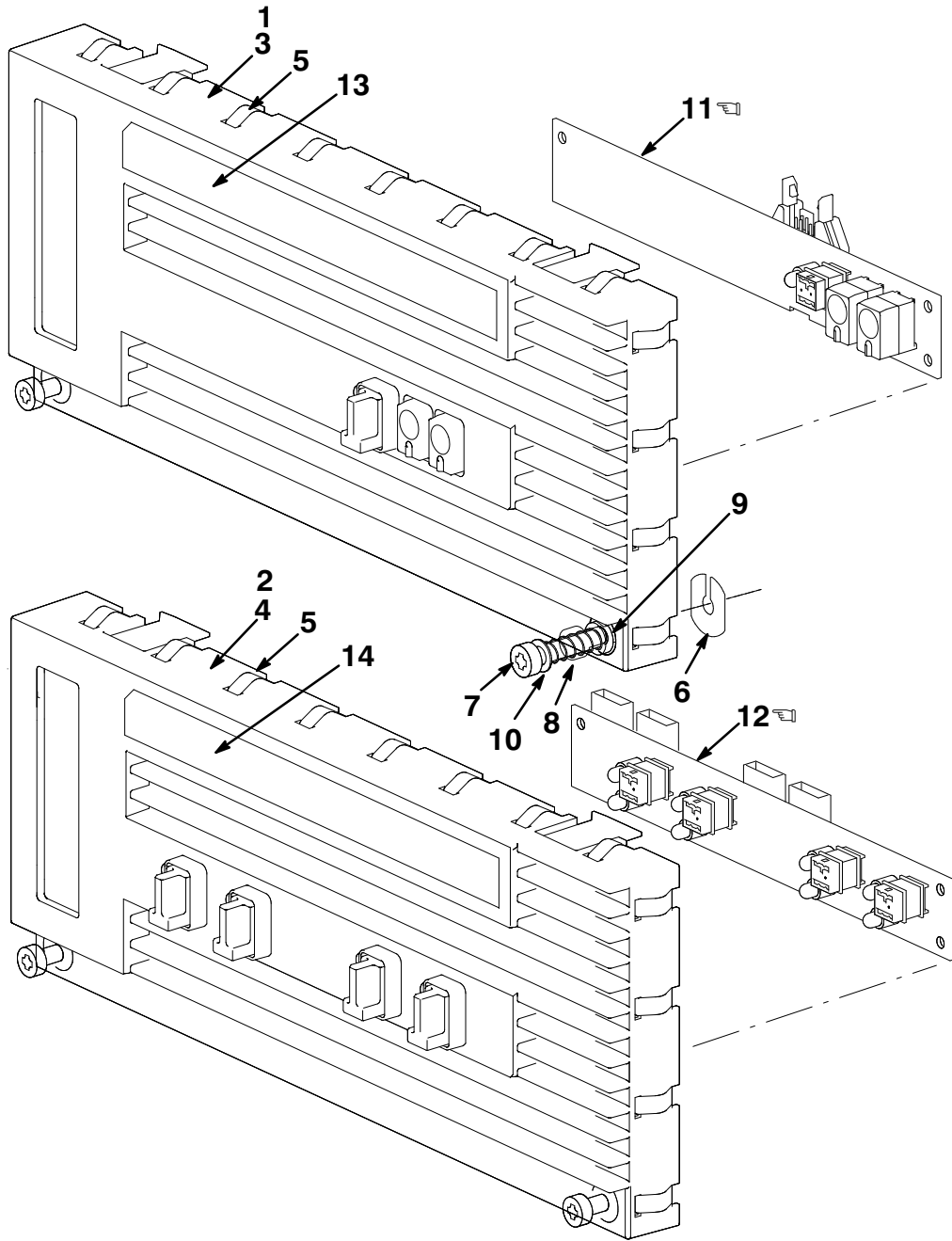
INDICATES FRU LEVEL PARTS.



MS430-10-IL

Figure 10. 5 1/4" Disk Drive Assemblies

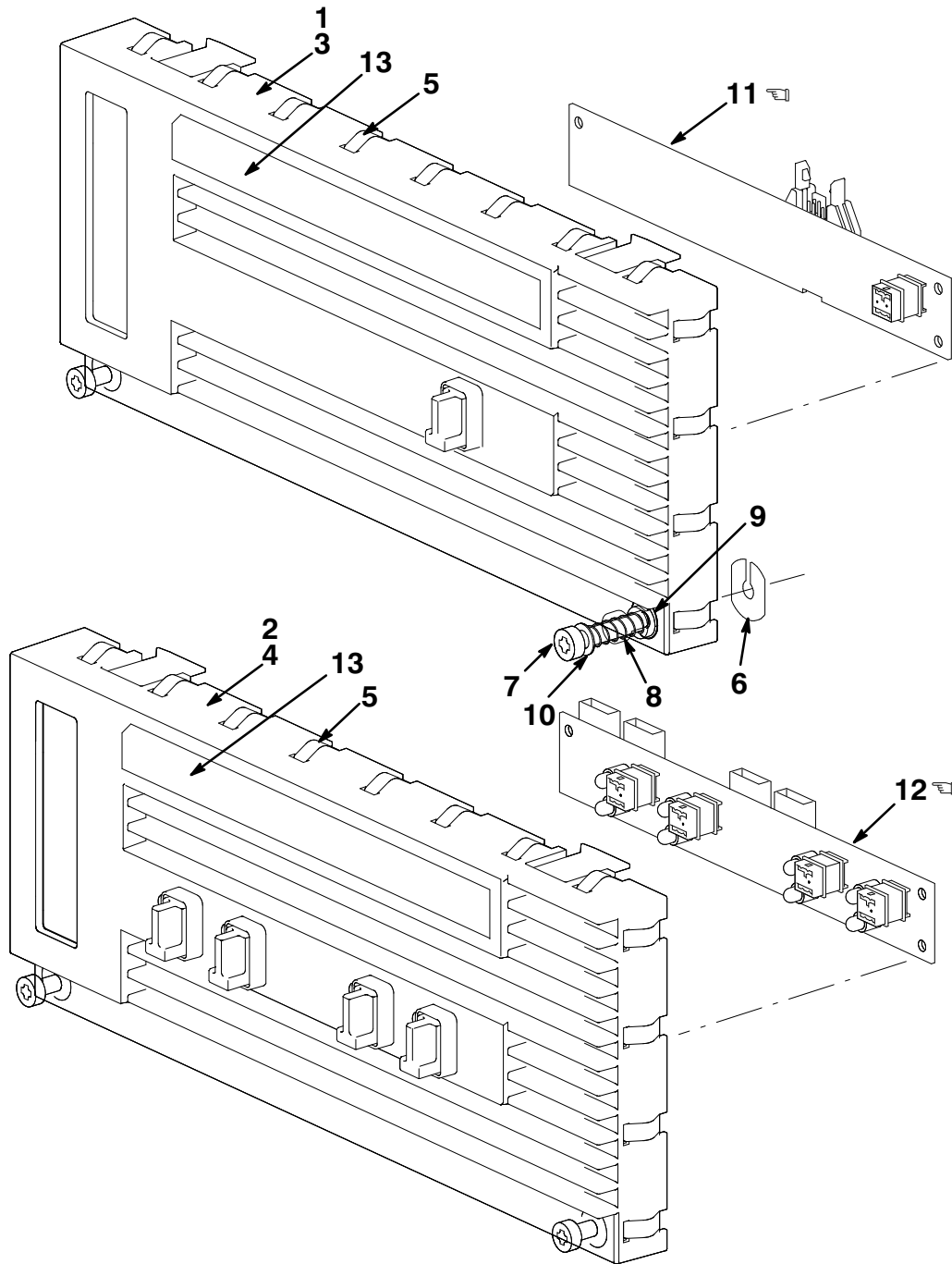
FIG. & ITEM NO.	DESCRIPTION	DEC PART NO. <sup>A</sup>	ECO CUT-IN	USED ON CODE	REF FIG NO.
10-	5 1/4" DISK DRIVE ASSEMBLIES				
	*DISK DRIVE ASSEMBLY, RF73	RF73-MX			1
☞1	**Disk Drive Assembly, RF73 (2.0 GB)	RF73-EA			
2	**Plate Assembly, Drive	74-42571-01			
3	**Screw Sems Phl Pan Hd No. 6-32 X 5/16	90-09984-07			
☞4	**Cable Assembly, Remote Front Panel 10 Cond	17-03554-01			
5	**Documentation, Instruction Sheet (Not Shown)	EK-DS5DR-IN			
6	**Cable Clamp	90-08340-00			
7	**Label, "Direct Thermal" (Rolled) (Not Shown)	36-28231-08			
	*DISK DRIVE ASSEMBLY, RF74	RF74-MX			1
☞8	**Disk Drive Assembly, RF74 (3.57 GB)	RF74-EA			
9	**Plate Assembly, Drive	74-42571-01			
10	**Screw Sems Phl Pan Hd No. 6-32 X 5/16	90-09984-07			
☞11	**Cable Assembly, Remote Front Panel 10 Cond	17-03554-01			
12	**Documentation, Instruction Sheet (Not Shown)	EK-DS5DR-IN			
13	**Cable Clamp	90-08340-00			
14	**Label, "Direct Thermal" (Rolled) (Not Shown)	36-28231-08			
	*DISK DRIVE ASSEMBLY, RZ73	RZ73-MX			2
☞15	**Disk Drive Assembly, RZ73 (2.0 GB)	RZ73-E			
16	**Plate Assembly, Drive	74-42571-01			
17	**Screw Sems Phl Pan Hd No. 6-32 X 5/16	90-09984-07			
☞18	**Cable Assembly, 28AWG Flat 1MM 06 Cond	17-03437-01			
19	**Documentation, Instruction Sheet (Not Shown)	EK-SC5DR-IN			
20	**Cable Clamp	90-08340-00			
21	**Label, "Direct Thermal" (Rolled) (Not Shown)	36-28231-08			
	*DISK DRIVE ASSEMBLY, RZ74	RZ74-MX			2
☞22	**Disk Drive Assembly, RZ74 (3.57 GB)	RZ74-E			
23	**Plate Assembly, Drive	74-42571-01			
24	**Screw Sems Phl Pan Hd No. 6-32 X 5/16	90-09984-07			
☞25	**Cable Assembly, 28AWG Flat 1MM 06 Cond	17-03437-01			
26	**Documentation, Instruction Sheet (Not Shown)	EK-SC5DR-IN			
27	**Cable Clamp	90-08340-00			
28	**Label, "Direct Thermal" (Rolled) (Not Shown)	36-28231-08			



MS430-11-IL

Figure 11. Bezel Assemblies (DSSI)

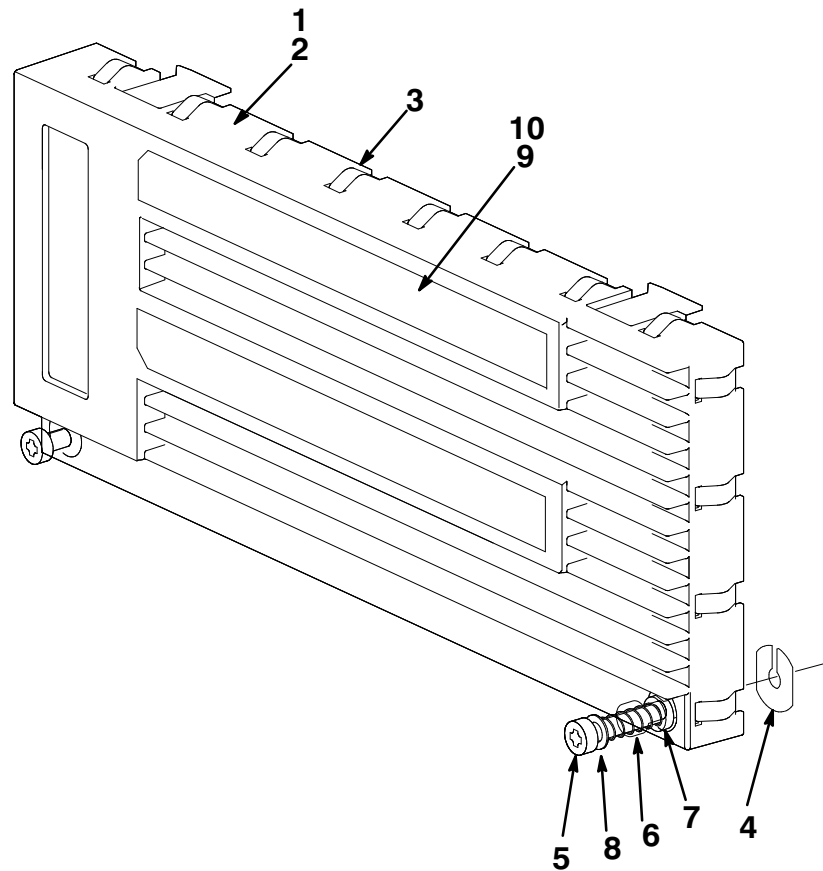
FIG. & ITEM NO.	DESCRIPTION	DEC PART NO. <sup>A</sup>	ECO CUT-IN 70-28750 00000	USED ON CODE	REF FIG NO.
11-	BEZEL ASSEMBLY (DSSI) (5 1/4")	70-28750-08		A	1, 4
	BEZEL ASSEMBLY (DSSI) (3 1/2")	70-28750-10		B	1, 3
1	*BEZEL ASSEMBLY, MASS STORAGE (5 1/4")	70-28750-01		A	
2	*BEZEL ASSEMBLY, MASS STORAGE (3 1/2")	70-28750-05		B	
3	**Bezel, Mass Storage (5 1/4")	74-42296-01		A	
4	**Bezel, Mass Storage (3 1/2")	74-42296-05		B	
5	**Finger, Grounding	12-26922-05			
6	**Washer, Retaining	12-35727-01			
7	**Screw, Slotted Pan Hd No. M4 x 0.7 x 36.9MM	12-35880-01			
8	**Spring, Compression	12-35728-01			
9	**Retainer, Spring	74-43372-01			
10	**Washer, Lock	90-11315-01			
☞11	*Module, DSSI Remote Front Panel (RPF)	54-20896-02		A	
☞12	*Module, Remote Front Panel (RFP)	54-21191-01		B	
13	*Label, "DSSI RF73"	36-38608-01		A	
14	*Label, "DSSI RF35"	36-38608-02		B	



MS430-12-IL

Figure 12. Bezel Assemblies (SCSI)

FIG. & ITEM NO.	DESCRIPTION	DEC PART NO. <sup>A</sup>	ECO CUT-IN 70-28750 00000	USED ON CODE	REF FIG NO.
12-	BEZEL ASSEMBLY (SCSI) (5 1/4")	70-28750-09		A	2, 6
	BEZEL ASSEMBLY (SCSI) (3 1/2")	70-28750-12		B	2,5,7
1	*BEZEL ASSEMBLY, MASS STORAGE (5 1/4")	70-28750-04		A	
2	*BEZEL ASSEMBLY, MASS STORAGE (3 1/2")	70-28750-05		B	
3	**Bezel, Mass Storage (5 1/4")	74-42296-04		A	
4	**Bezel, Mass Storage (3 1/2")	74-42296-05		B	
5	**Finger, Grounding	12-26922-05			
6	**Washer, Retaining	12-35727-01			
7	**Screw, Slotted Pan Hd No. M4 x 0.7 x 36.9MM	12-35880-01			
8	**Spring, Compression	12-35728-01			
9	**Retainer, Spring	74-43372-01			
10	**Washer, Lock	90-11315-01			
☞11	*Module, SCSI Remote Front Panel (RFP)	54-20898-01		A	
☞12	*Module, Remote Front Panel (RFP)	54-21191-01		B	
13	*Label, "SCSI"	36-38608-03			



MS430-13-IL

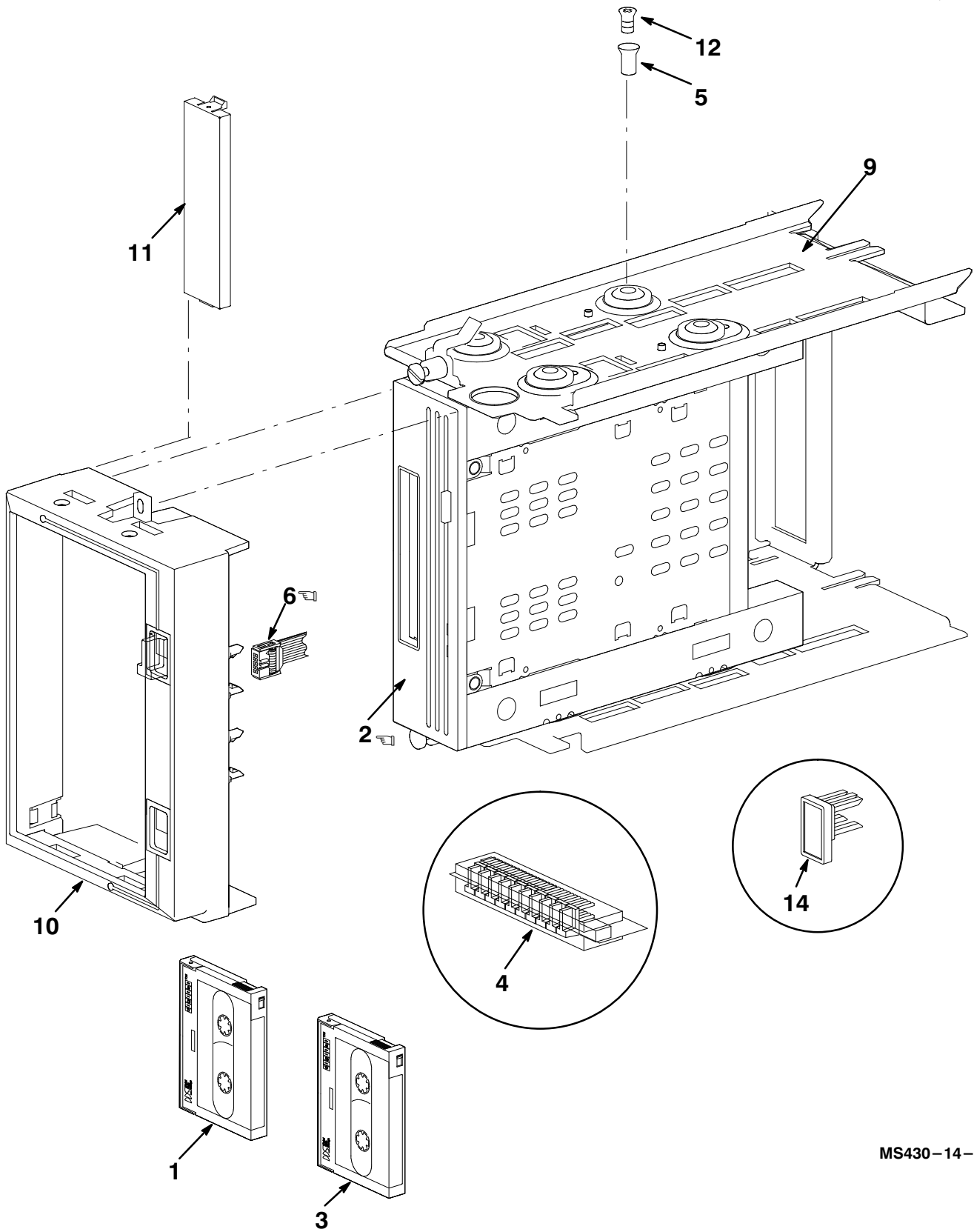
Figure 13. Bezel Assemblies (Storageless)

FIG. & ITEM NO.	DESCRIPTION	DEC PART NO. <sup>A</sup>	ECO CUT-IN 70-28750 00000	USED ON CODE	REF FIG NO.
13-	BEZEL ASSEMBLY (Storageless) (DSSI)	70-28750-06		A	1, 8
	BEZEL ASSEMBLY (Storageless) (SCSI)	70-28750-07		B	2, 8
1	*BEZEL ASSEMBLY, MASS STORAGE	70-28750-03			
2	**Bezel, Mass Storage	74-42296-03			
3	**Finger, Grounding	12-26922-05			
4	**Washer, Retaining	12-35727-01			
5	**Screw, Slotted Pan Hd No. M4 x 0.7 x 36.9MM	12-35880-01			
6	**Spring, Compression	12-35728-01			
7	**Retainer, Spring	74-43372-01			
8	**Washer, Lock	90-11315-01			
9	*Label, "SCSI"	36-38608-03		B	
10	*Label, "DSSI"	36-38608-05		A	



INDICATES FRU LEVEL PARTS.

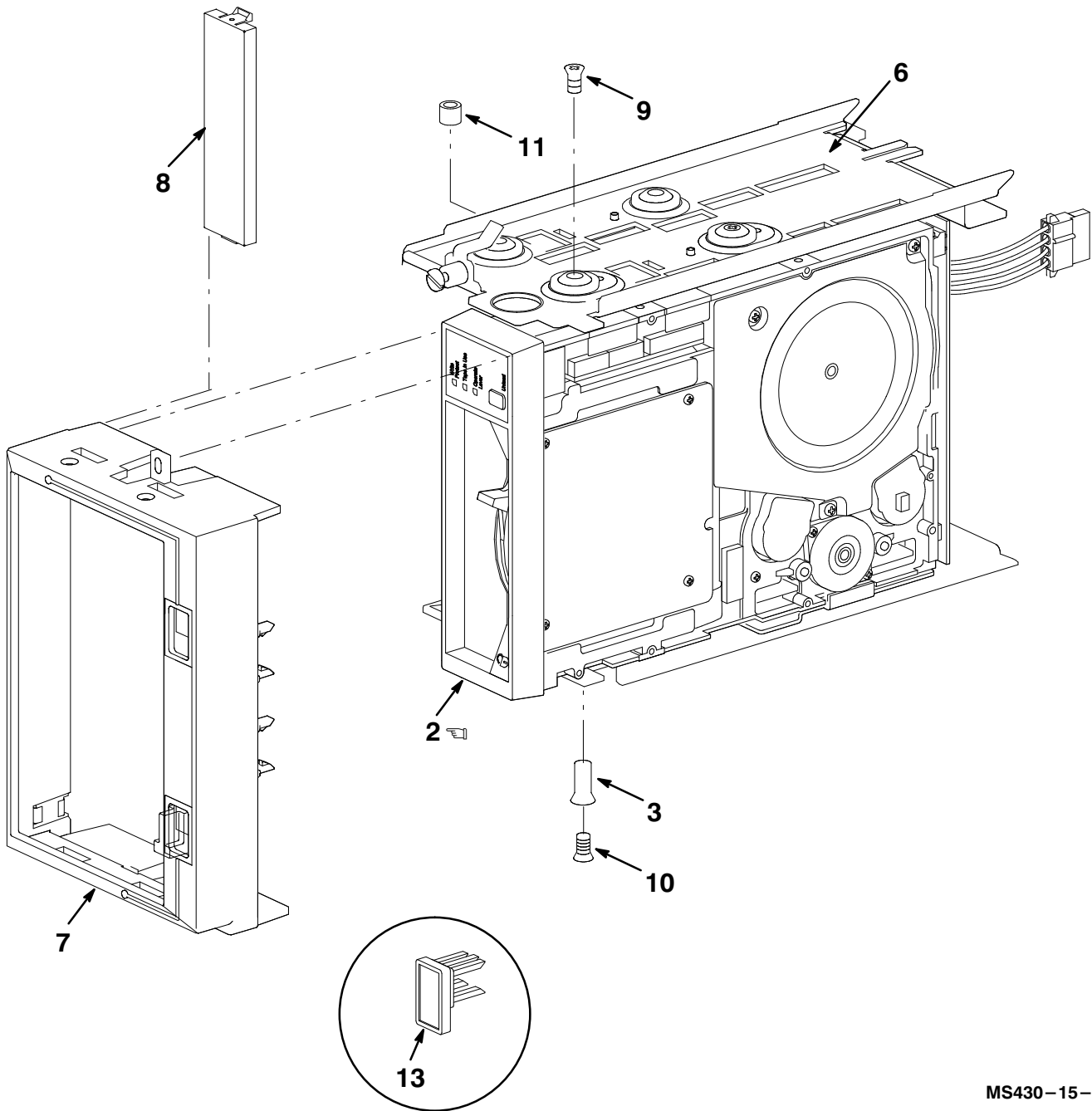
PARTS LIST



MS430-14-IL

Figure 14. Storage Element, TLZ06

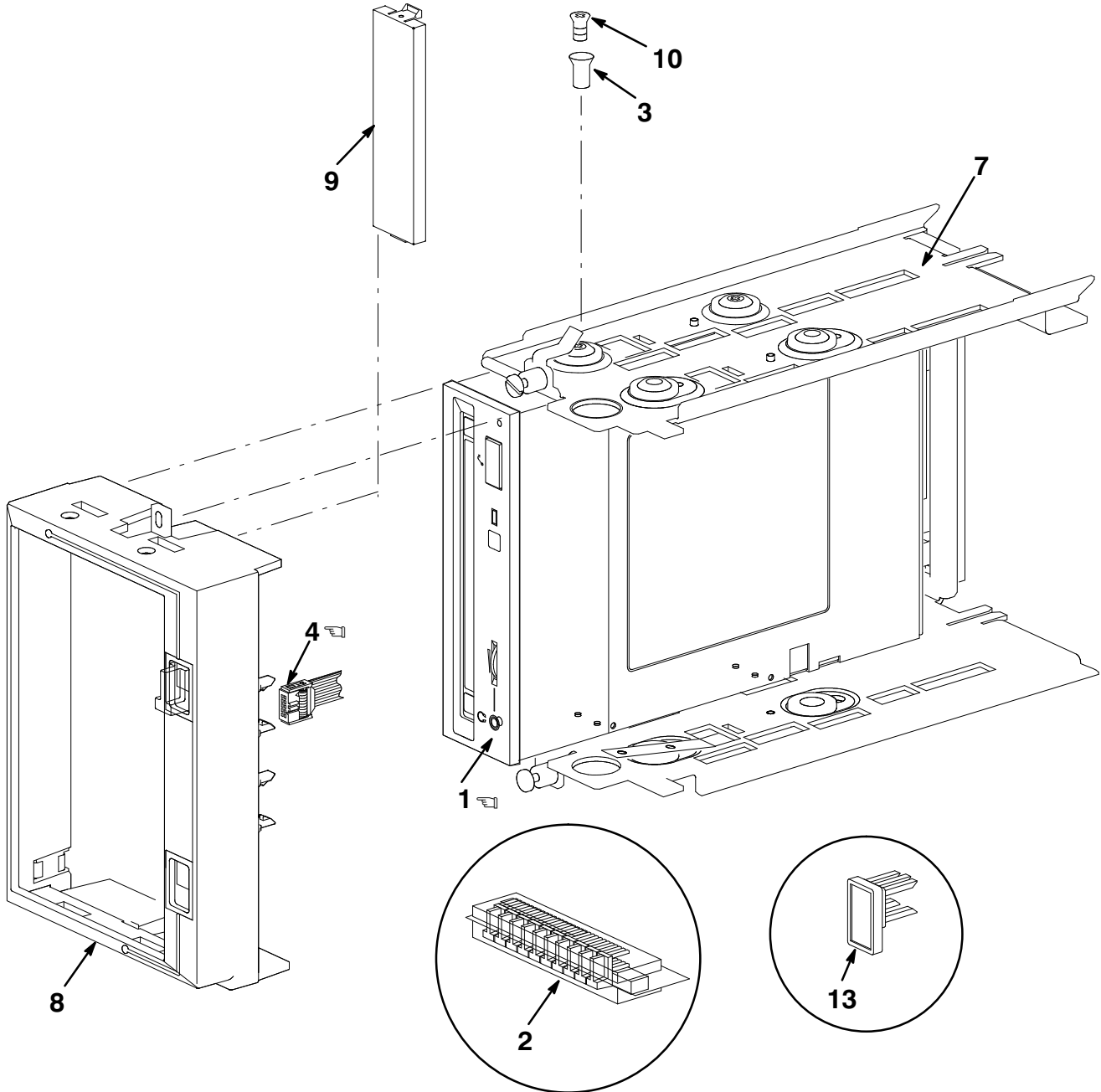
FIG. & ITEM NO.	DESCRIPTION	DEC PART NO. <sup>A</sup>	ECO CUT-IN TLZ06 00000	USED ON CODE	REF FIG NO.
14-	STORAGE ELEMENT, TLZ06				
	Code A – Used on TLZ06–MX	TLZ06–MX		A	2
	Code B – Used on TLZ06–MY	TLZ06–MY		B	2
1	*Cartridge, 4MM Dat Drive Cleaning	TLZ04–HA			
2	*Tape Drive Assembly TLZ06	TLZ06–BA		B	
3	*Cartridge, Single 4 GB Dat Data	TLZ06–CA			
4	*Encoder Set, Lens (Grey)	12–28766–19			
5	*Isolator, Shock (Ferrule Only)	12–32626–03		B	
6	*Cable Assembly 06 Cond Flat 28AWG 6 Pos	17–03431–01		B	
7	*Package Assembly (Not Shown)	37–01353–04		A	
8	*Package Assembly (Not Shown)	37–01353–07		B	
9	*MOUNTING ASSEMBLY, TLZ06 DUAL 1/2 HT	70–29439–03		A	17
10	*BEZEL ASSEMBLY (RRD42, TLZ06, TZ30)	70–29547–01		A	18
11	*Bezel, Filler (Blank)	74–44062–01		A	
12	*Screw, Machine Slotted Pan Hd No. M3 x 14MM	90–11163–01		B	
13	*Documentation, Options Guide (Not Shown)	EK–KN430–OG			
14	*Encoder Set, Blank	12–34499–01		A	



MS430-15-IL

Figure 15. Storage Element, TZ30

FIG. & ITEM NO.	DESCRIPTION	DEC PART NO. <sup>A</sup>	ECO CUT-IN TZ30 00000	USED ON CODE	REF FIG NO.
15-	STORAGE ELEMENT, TZ30				
	Code A – Used on TZ30–MX	TZ30–MX		A	2
	Code B – Used on TZ30–MY	TZ30–MY		B	2
1	*Kit, Tape Head Cleaning (Not Shown)	TKXX–HC			
2	*Tape Drive Assembly TZ30	TZ30–AA		B	
3	*Isolator, Shock (Ferrule Only)	12–32626–03		B	
4	*Package Assembly (Not Shown)	37–01353–04		A	
5	*Package Assembly (Not Shown)	37–01353–02		B	
6	*MOUNTING ASSEMBLY, TZ30 DUAL 1/2 HT	70–29439–04		A	17
7	*BEZEL ASSEMBLY RRD42, TLZ06, TZ30	70–29547–01		A	18
8	*Bezel, Filler (Blank)	74–44062–01		A	
9	*Screw, Sems Phi Pan Hd No. 6–32 x 1/2	90–00049–34		B	
10	*Screw, Machine Flat Pan Hd No. 6–32 x 5/8	90–06025–02		B	
11	*Spacer, Round	90–40192–01		B	
12	*Documentation, Options Guide (Not Shown)	EK–KN430–OG			
13	*Encoder Set, Blank	12–34499–01		A	



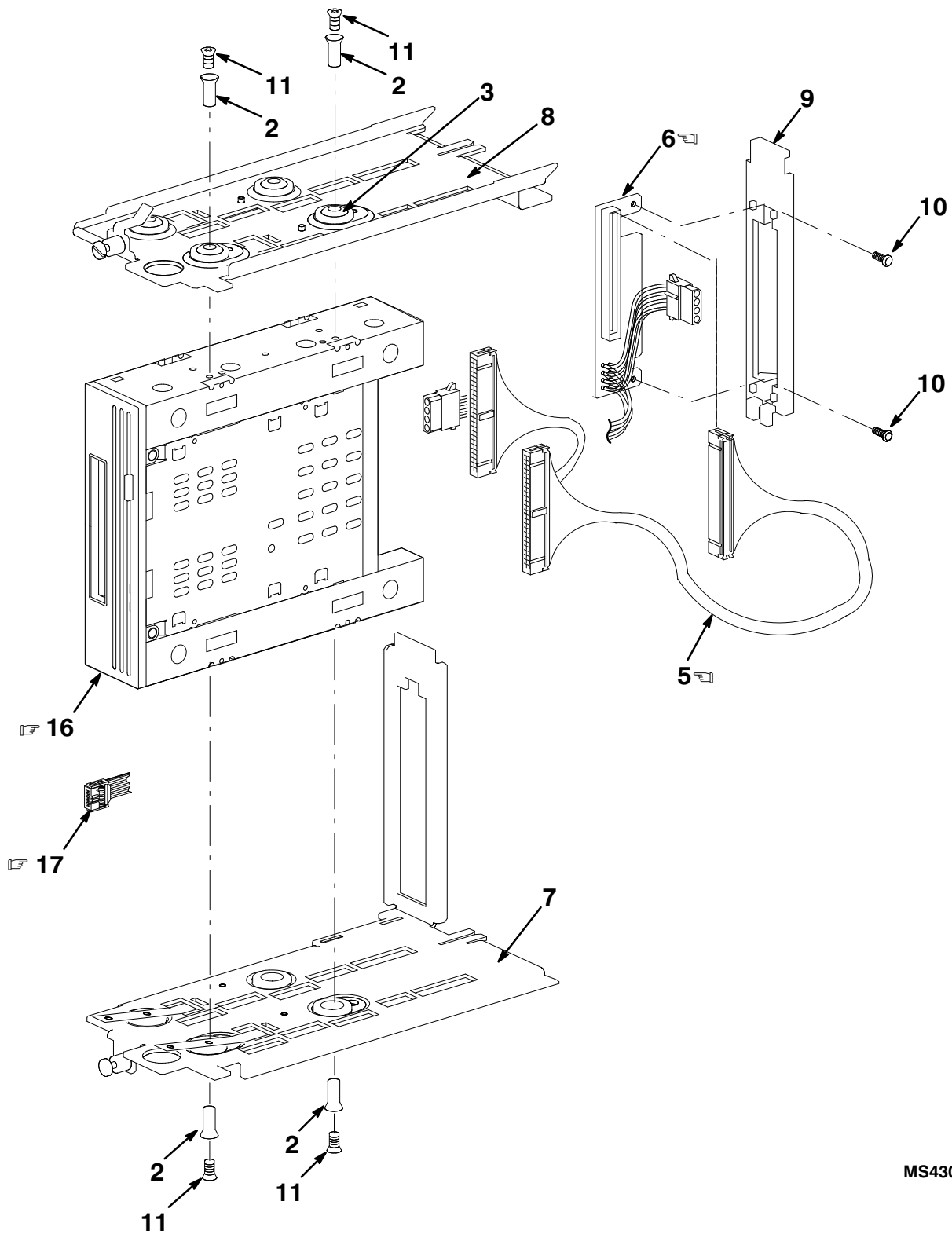
MS430-16-IL

Figure 16. Storage Element, RRD42

FIG. & ITEM NO.	DESCRIPTION	DEC PART NO. <sup>A</sup>	ECO CUT-IN RRD42 00000	USED ON CODE	REF FIG NO.
16-	STORAGE ELEMENT, RRD42				
	Code A – Used on RRD42–MX	RRD42–MX		A	2
	Code B – Used on RRD42–MY	RRD42–MY		B	2
1	*Disk Drive Assembly, CDROM (600 MB)	RRD42–AA		B	
2	*Encoder Set, Lens (Grey)	12–28766–19			
3	*Isolator, Shock (Ferrule Only)	12–32626–03		B	
4	*Cable Assembly 8 Cond Flat 28AWG 10 Pos	17–03021–01		B	
5	*Package Assembly (Not Shown)	37–01353–04		A	
6	*Package Assembly (Not Shown)	37–01353–07		B	
7	*MOUNTING ASSEMBLY, RRD42 DUAL 1/2 HT	70–29439–01		A	17
8	*BEZEL ASSEMBLY RRD42, TLZ06, TZ30	70–29547–01		A	18
9	*Bezel, Filler (Blank)	74–44062–01		A	
10	*Screw, Mach Slotted Pan Hd No. M3 x 14MM	90–11163–01		B	
11	*Documentation, Options Guide (Not Shown)	EK–KN430–OG			
12	*Drive Caddy, CD Rom (Not Shown)	30–34512–01			
13	*Encoder Set, Blank (Not Shown)	12–34499–01		A	

INDICATES FRU LEVEL PARTS.

PARTS LIST

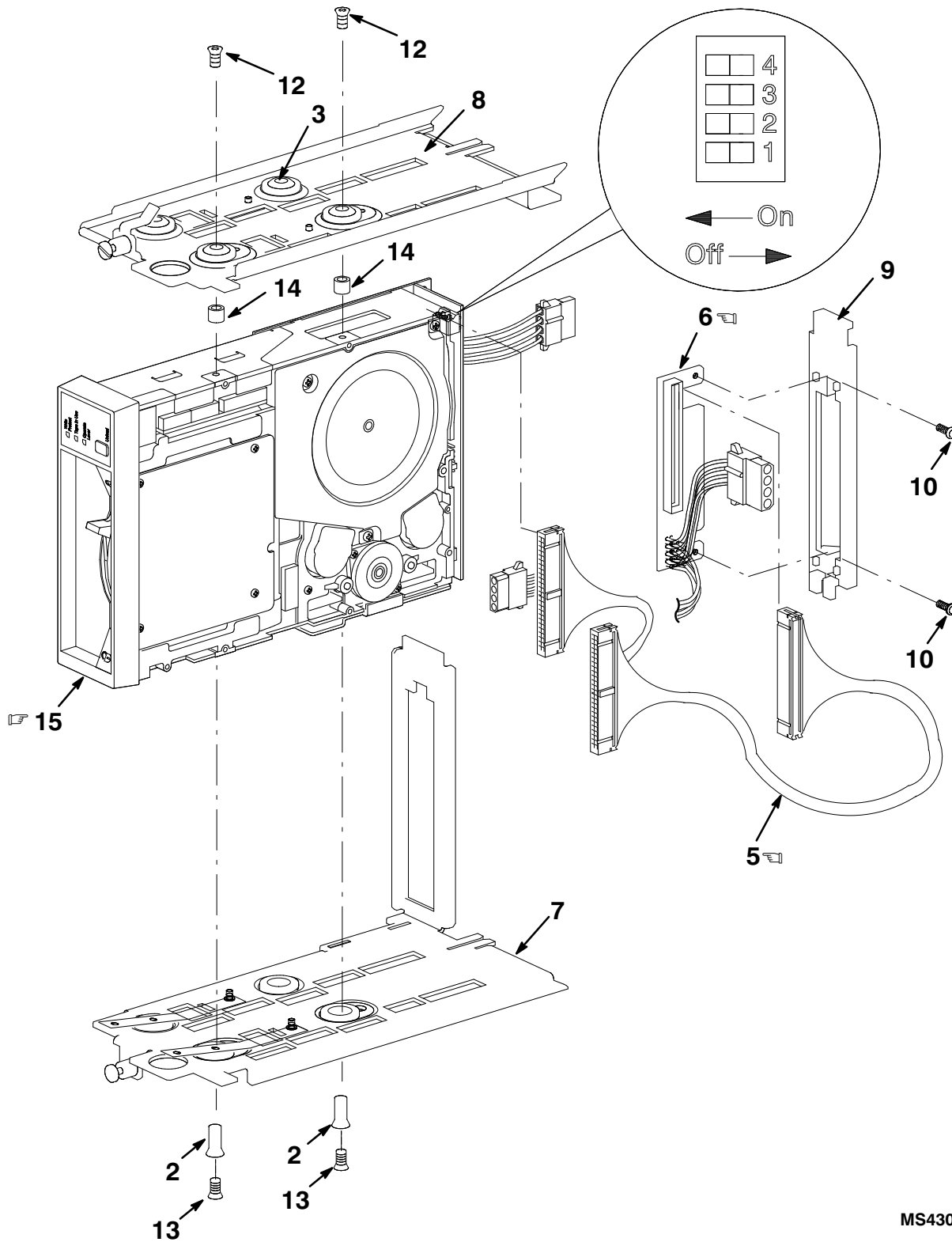


MS430-17-IL

Figure 17. Mounting Assembly, TLZ06 Dual 1/2 Height (Sheet 1 of 3)

INDICATES FRU LEVEL PARTS.

PARTS LIST



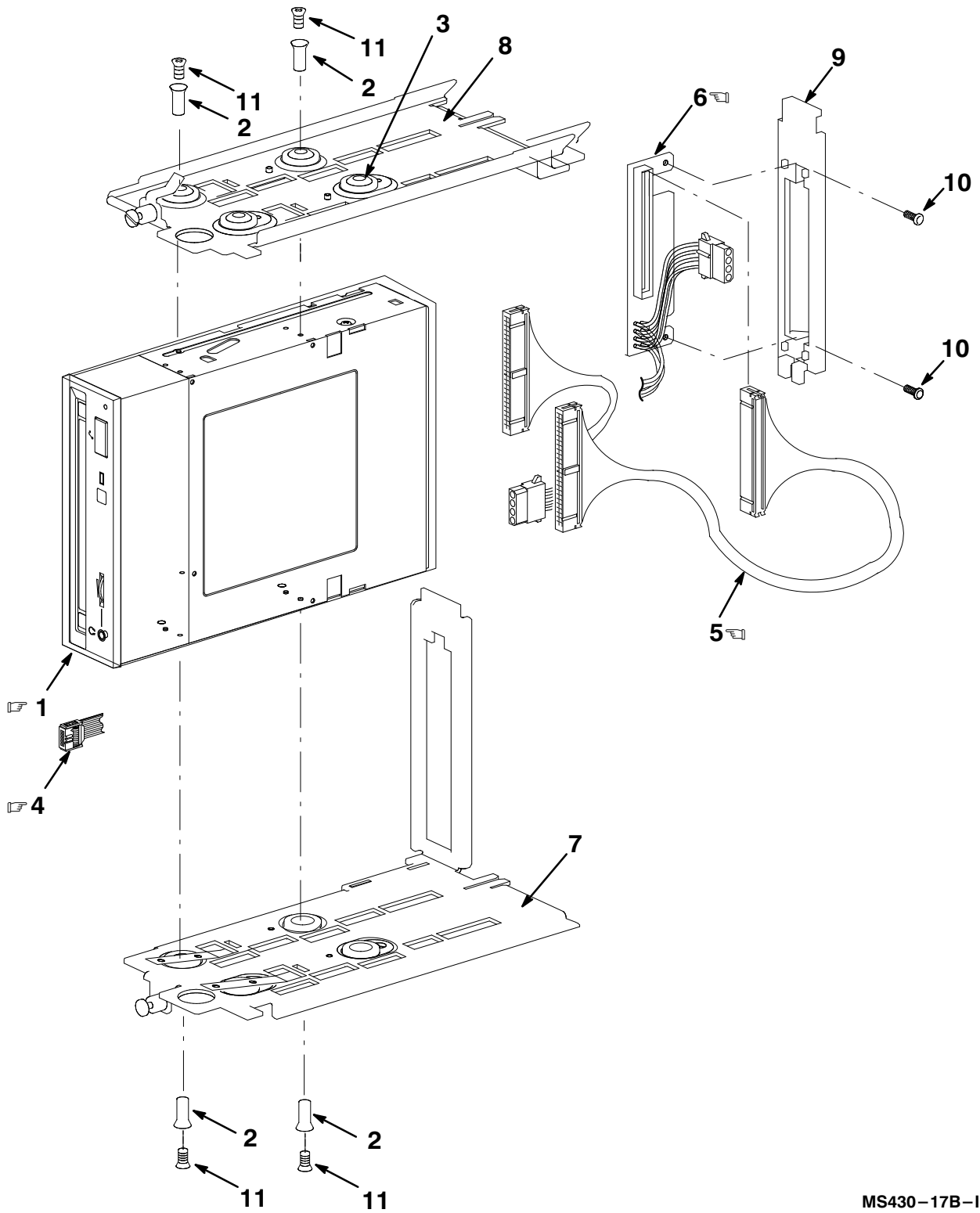
MS430-17A-IL

Figure 17. Mounting Assembly, TZ30 Dual 1/2 Height (Sheet 2 of 3)



INDICATES FRU LEVEL PARTS.

PARTS LIST

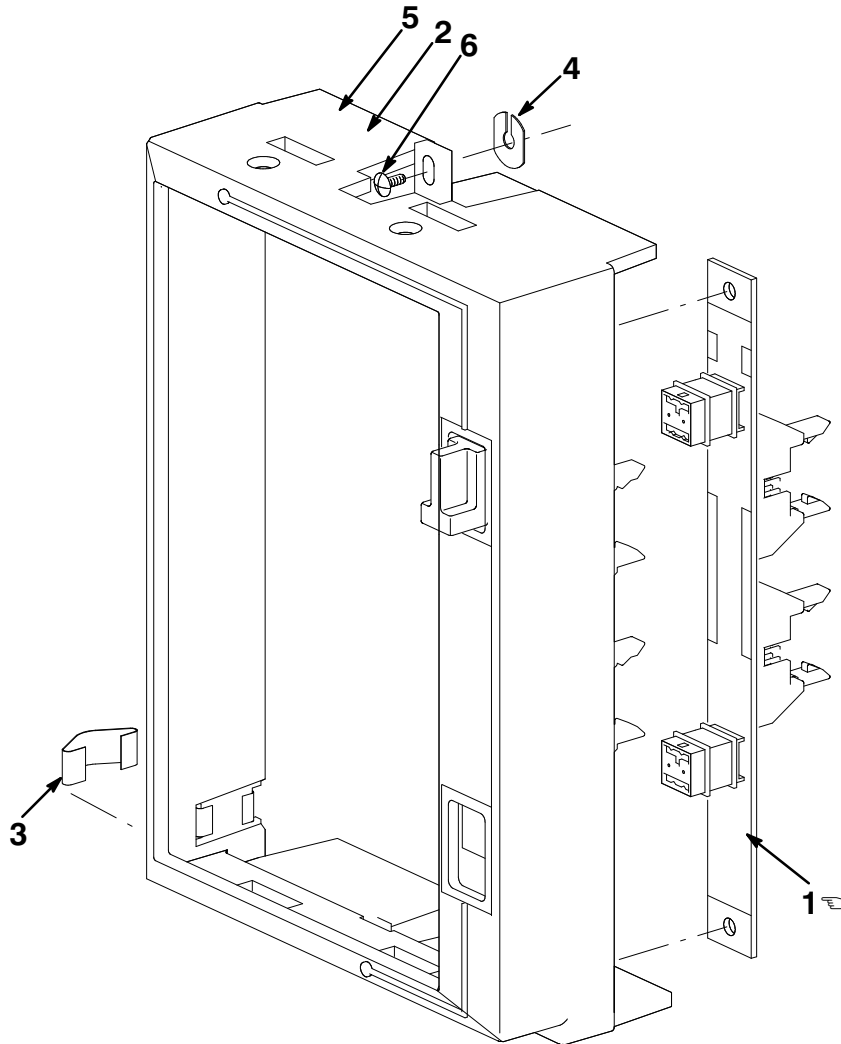


MS430-17B-IL

Figure 17. Mounting Assembly, RRD42 Dual 1/2 Height (Sheet 3 of 3)

FIG. & ITEM NO.	DESCRIPTION	DEC PART NO. <sup>A</sup>	ECO CUT-IN 70-29439 00000	USED ON CODE	REF FIG NO.
17-	MOUNTING ASSEMBLY , RRD42 DUAL 1/2 HT	70-29439-01		A	16
	MOUNTING ASSEMBLY , TLZ06 DUAL 1/2 HT	70-29439-03		B	14
	MOUNTING ASSEMBLY , TZ30 DUAL 1/2 HT	70-29439-04		C	15
☞1	*Storage Element, RRD42	RRD42-AA		A	
2	*Isolator, Shock (Ferrule Only)	12-32626-03			
3	*Isolator, Shock (Grommet Only)	12-32626-04			
☞4	*Cable Assembly, 08 Cond Flat	17-03021-01		A	
☞5	*Cable Assembly, 50 Cond Round	17-03158-01			
☞6	*Module, I/O SCSI Interface Card	54-21153-01			
7	*Bracket Assembly (Bottom)	74-43506-01			
8	*Bracket Assembly, (Top)	70-29433-01			
9	*Bracket, Paddle Board	74-38830-01			
10	*Screw, Pan Hd No. 4-40 x 1/4	90-09315-01			
11	*Screw, Machine Slotted Pan Hd No. M3 x 14MM	90-11163-01		A, B	
12	*Screw, Sems Pan Hd No. 6-32 x 1/2	90-00049-34		C	
13	*Screw, Machine Flat Hd No. 6-32 x 5/8	90-06025-02		C	
14	*Spacer, Round	90-40192-01		C	
☞15	*Tape Drive Assembly TZ30	TZ30-AA		C	
☞16	*Tape Drive Assembly TLZ06	TLZ06-BA		B	
☞17	*Cable Assembly, 06 Cond Round 28AWG 6 Pos	17-03431-01		B	

  INDICATES FRU LEVEL PARTS.



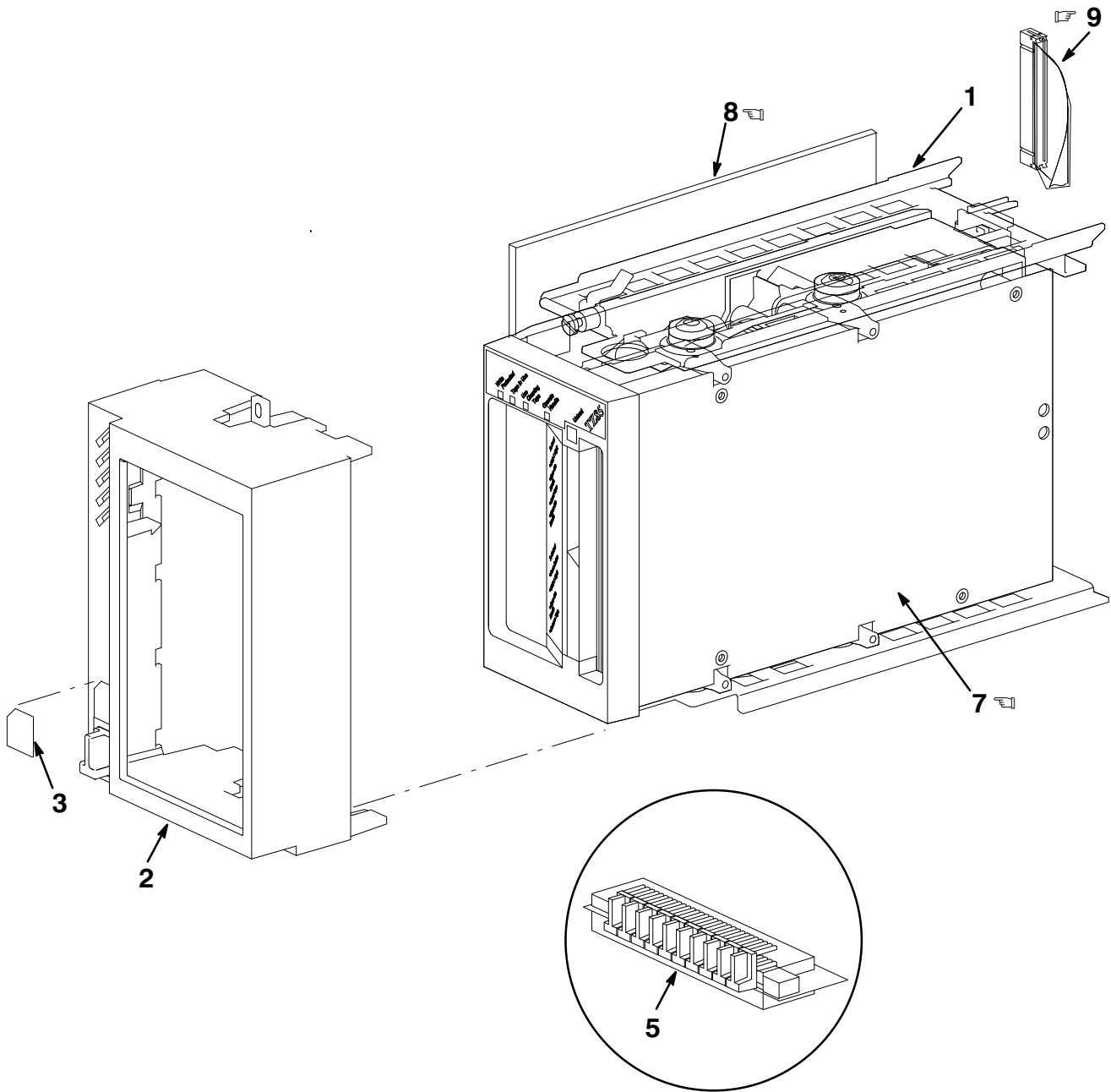
MS430-18-IL

**Figure 18. Bezel Assembly (RRD42, TLZ06, TZ30)**

FIG. & ITEM NO.	DESCRIPTION	DEC PART NO. <sup>A</sup>	ECO CUT-IN 70-29547 00000	USED ON CODE	REF FIG NO.
18-	BEZEL ASSEMBLY (RRD42, TLZ06, TZ30)	70-29547-01			14, 15 16
1	*Module, CD ROM Identification	54-21547-01			
2	*BEZEL ASSEMBLY	70-29547-02			
3	**Finger, Grounding	12-26922-01			
4	**Washer, Retaining	12-30421-01			
5	**Bezel, Removable Media	74-44060-01			
6	**Screw, Machine Phi Pan Hd No. 6-32 x 5/16	90-06021-01			





INDICATES FRU LEVEL PARTS.

PARTS LIST



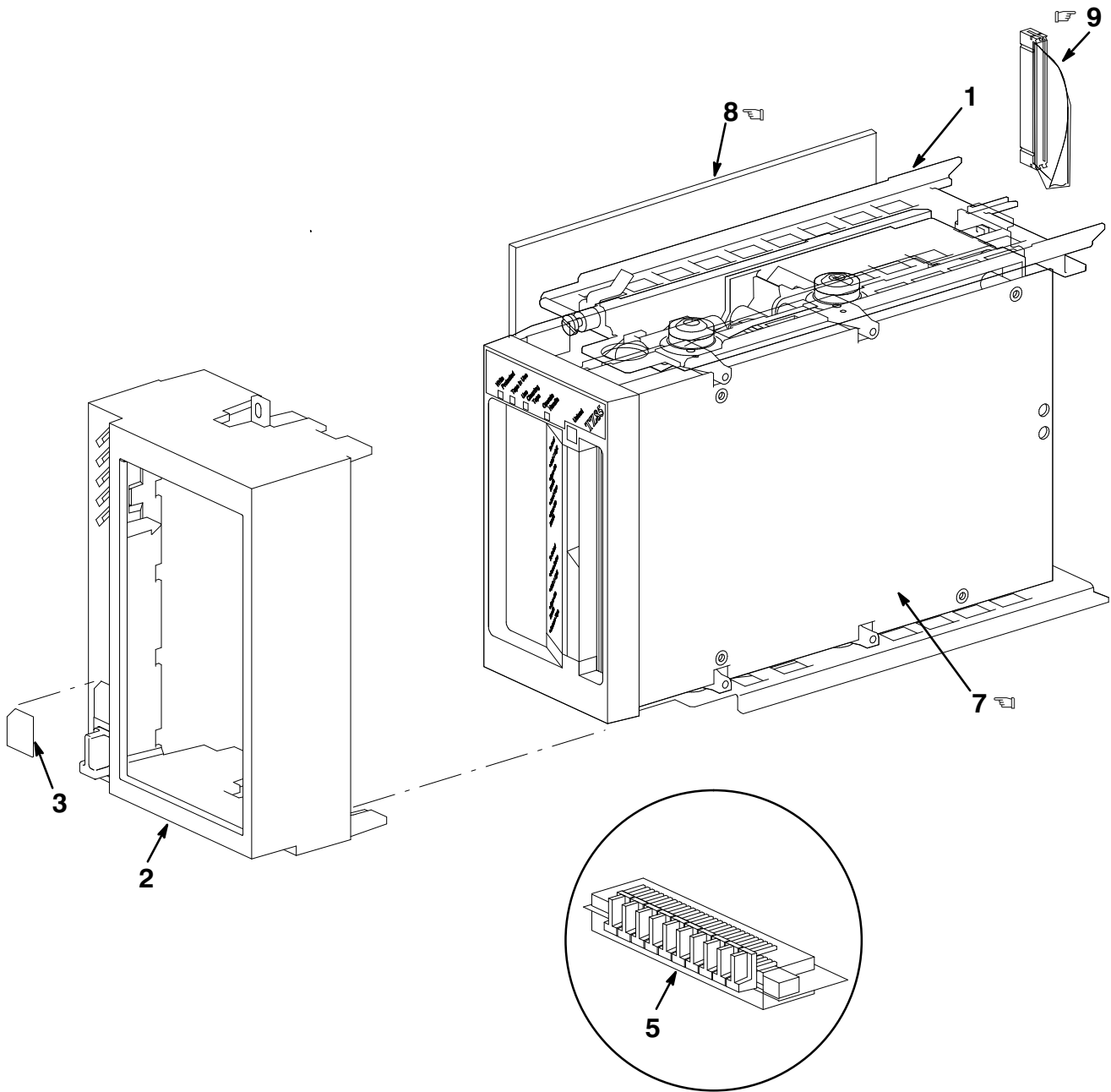
MS430-19-IL

Figure 19. Storage Element, TZ85E

FIG. & ITEM NO.	DESCRIPTION	DEC PART NO. <sup>A</sup>	ECO CUT-IN TZ85E 00000	USED ON CODE	REF FIG NO.
19- 	STORAGE ELEMENT, TZ85E	TZ85E-MX			2
1	*MOUNTING ASSEMBLY, TZ85E ISE	70-28092-02			21
2	*BEZEL ASSEMBLY, TZ85E/TZ86E	70-27050-04			22
3	*Label, Bus ID	36-33181-02			
4	*Documentation, Options Guide (Not Shown)	EK-KN430-OG			
5	*Encoder Set, Lens (Grey)	12-28766-28			
6	*Packaging Assembly (Not Shown)	37-01215-06			
 7	Tape Drive Assembly (See Note)	TZ85-BA			
 8	Module, TZ85 Controller (See Note)	54-19122-01			
 9	Cable Assembly, 40 Pos Flat (See Note)	17-02613-01			
	<p>Note: Items 7 thru 9 are not part of this assembly level, shown for reference only.</p>				





INDICATES FRU LEVEL PARTS.

PARTS LIST



MS430-20-IL

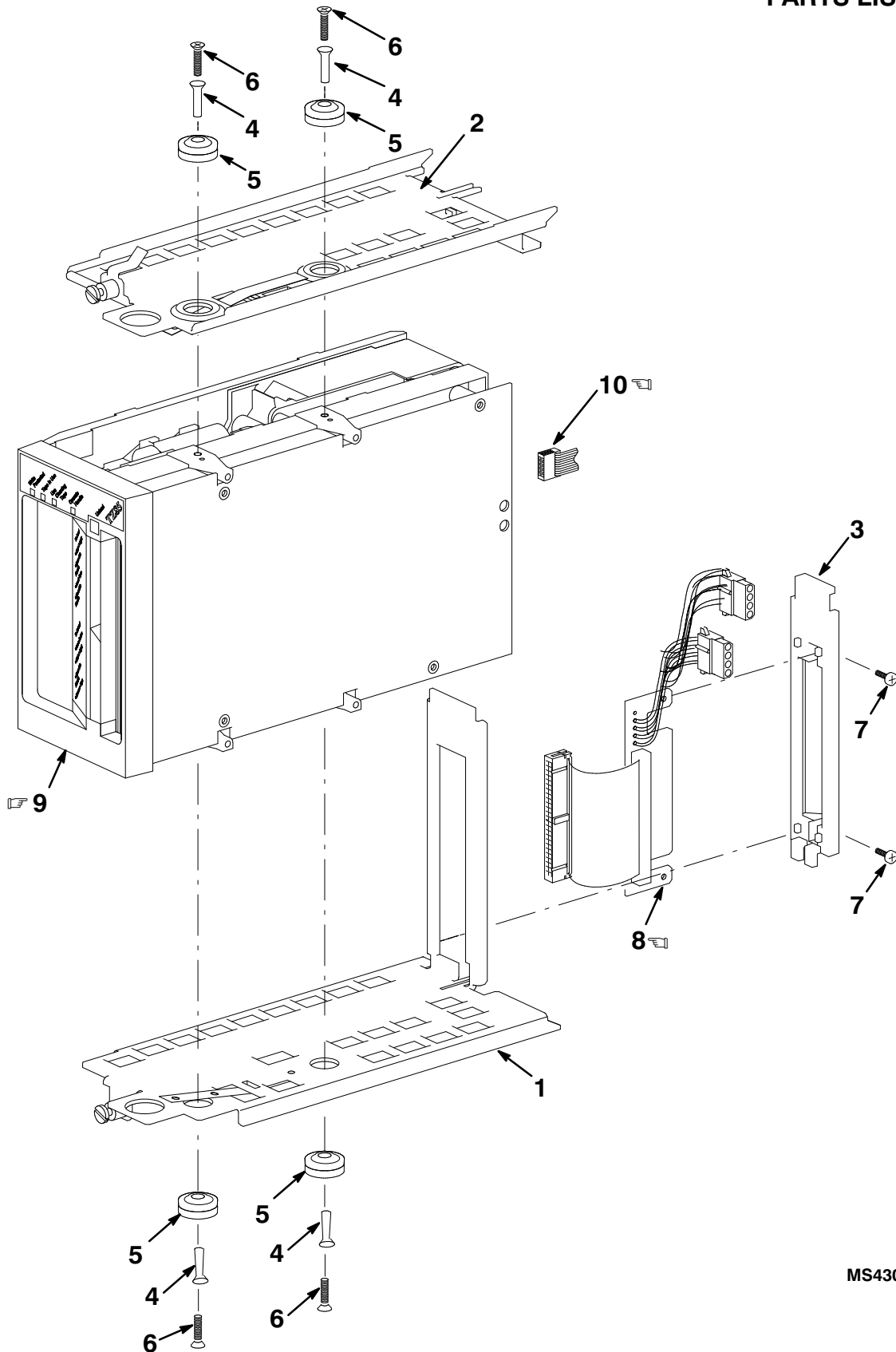
Figure 20. Storage Element, TZ86E

FIG. & ITEM NO.	DESCRIPTION	DEC PART NO. <sup>A</sup>	ECO CUT-IN TZ86E 00000	USED ON CODE	REF FIG NO.
20- 	STORAGE ELEMENT, TZ86E	TZ86E-MX			2
1	*MOUNTING ASSEMBLY, TZ86E ISE	70-28092-04			21
2	*BEZEL ASSEMBLY, TZ85E/TZ86E	70-27050-04			22
3	*Label, Bus ID	36-33181-02			
4	*Documentation, Options Guide (Not Shown)	EK-KN430-OG			
5	*Encoder Set, Lens (Grey)	12-28766-28			
6	*Packaging Assembly (Not Shown)	37-01215-06			
 7	Tape Drive Assembly (See Note)	TZ86-BA			
 8	Module, TZ86 Controller (See Note)	54-19122-01			
 9	Cable Assembly, 40 Pos Flat (See Note)	17-02613-01			
	<p>Note: Items 7 thru 9 are not part of this assembly level, shown for reference only.</p>				



INDICATES FRU LEVEL PARTS.

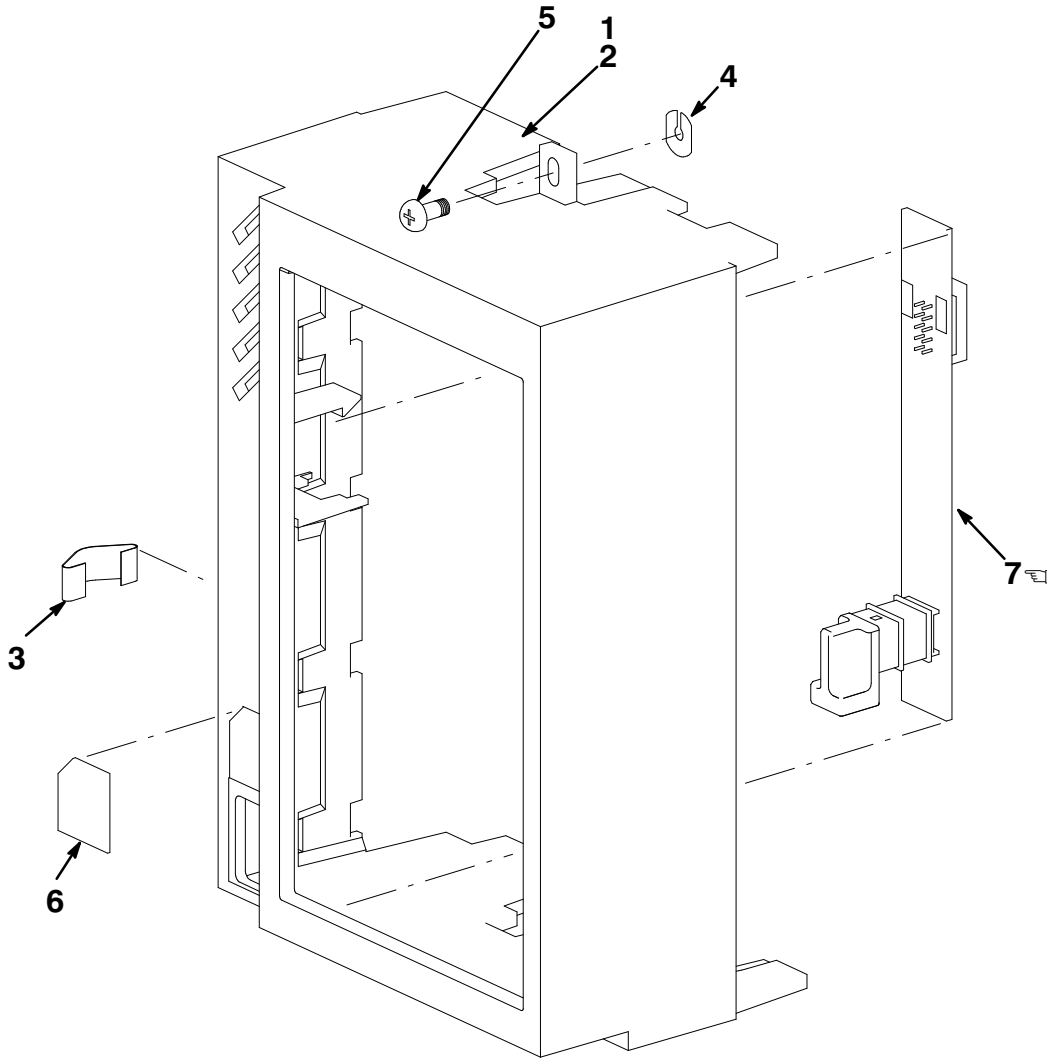
PARTS LIST



MS430-21-IL

Figure 21. Mounting Assembly, TZ85E/TZ86E ISE

FIG. & ITEM NO.	DESCRIPTION	DEC PART NO. <sup>B</sup>	ECO CUT-IN 70-28092 00000	USED ON CODE	REF FIG NO.
21-	MOUNTING ASSEMBLY, TZ85E ISE	70-28092-02		A	19
	MOUNTING ASSEMBLY, TZ86E ISE	70-28092-04		B	20
1	*Bracket Assembly (Bottom)	70-27413-01			
2	*Bracket Assembly (Top)	70-27457-01			
3	*Bracket, Paddle Board	74-38830-01			
4	*Isolator, Shock (Ferrule Only)	12-32626-03			
5	*Isolator, Shock (Grommet Only)	12-32626-04			
6	*Screw, Machine Flat Hd No. 6-32 x 5/8	90-06025-02			
7	*Screw, Phi Pan Hd No. 4-40 x 1/4	90-09315-01			
☞ 8	*Module, SCSI Interface Card	54-20136-04			
☞ 9	*Tape Drive Assembly	TZ85-BA		A	
☞	*Tape Drive Assembly	TZ86-BA		B	
☞ 10	*Cable Assembly, 10 Cond Flat	17-01936-06			



MS430-22-IL

**Figure 22. Bezel Assembly, TZ85E/TZ86E**

FIG. & ITEM NO.	DESCRIPTION	DEC PART NO. <sup>D</sup>	ECO CUT-IN 70-27050 00000	USED ON CODE	REF FIG NO.
22-	BEZEL ASSEMBLY, TZ85E/TZ86E	70-27050-04			19,20
1	*BEZEL ASSEMBLY, TAPE DRIVE	70-27050-01			
2	**Bezel, Tape Drive	74-39273-01			
3	**Finger, Grounding	12-26922-01			
4	**Washer, Retaining	12-30421-01			
5	**Screw, Machine Phi Pan Hd No. 6-32 x 5/16	90-06021-01			
6	*Label, "Bus ID"	36-33181-01			
7	*Module, I.D.	54-20438-01			

Ω

**PART NUMBER/DESCRIPTION INDEX** 

**THIS PAGE INTENTIONALLY LEFT BLANK**

**INDEX BY DIGITAL PART NUMBER**  
**DEC 4000 MASS STORAGE DEVICES**

PART NO.	DESCRIPTION	FIG NO.	ITEM NO.
12-26922-01	Finger, Grounding	18	3
12-26922-01	Finger, Grounding	22	3
12-26922-05	Finger, Grounding	11	5
12-26922-05	Finger, Grounding	12	5
12-26922-05	Finger, Grounding	13	3
12-28766-19	Encoder Set, Lens	3	4
12-28766-19	Encoder Set, Lens	4	4
12-28766-19	Encoder Set, Lens	5	4
12-28766-19	Encoder Set, Lens	6	4
12-28766-19	Encoder Set, Lens	7	15
12-28766-19	Encoder Set, Lens (Grey)	14	4
12-28766-19	Encoder Set, Lens (Grey)	16	2
12-28766-28	Encoder Set, Lens (Grey)	19	5
12-28766-28	Encoder Set, Lens (Grey)	20	5
12-29258-01	Connector, Terminator	3	3
12-29258-01	Connector, Terminator	4	3
12-29258-01	Connector, Terminator	8	7
12-29258-01	Terminator, (DSSI)	1	6
12-30421-01	Washer, Retaining	18	4
12-30421-01	Washer, Retaining	22	4
12-30552-01	Connector, Terminator	5	3
12-30552-01	Connector, Terminator	6	3
12-30552-01	Connector, Terminator	8	12
12-30552-01	Terminator (SCSI)	2	7
12-32626-03	Isolator, Shock (Ferrule Only)	14	5
12-32626-03	Isolator, Shock (Ferrule Only)	15	3
12-32626-03	Isolator, Shock (Ferrule Only)	16	3
12-32626-03	Isolator, Shock (Ferrule Only)	17	2
12-32626-03	Isolator, Shock (Ferrule Only)	21	4
12-32626-04	Isolator, Shock (Grommet Only)	17	3
12-32626-04	Isolator, Shock (Grommet Only)	21	5
12-34499-01	Encoder Set, Blank	14	14
12-34499-01	Encoder Set, Blank	15	13
12-34499-01	Encoder Set, Blank (Not Shown)	16	13
12-35414-01	Mount, Shock	4	15
12-35414-01	Mount, Shock	6	14
12-35727-01	Washer, Retaining	11	6
12-35727-01	Washer, Retaining	12	6
12-35727-01	Washer, Retaining	13	4
12-35728-01	Spring, Compression	11	8
12-35728-01	Spring, Compression	12	8
12-35728-01	Spring, Compression	13	6
12-35880-01	Screw, Slotted Pan Hd No. M4 x 0.7 x 36.9MM	11	7
12-35880-01	Screw, Slotted Pan Hd No. M4 x 0.7 x 36.9MM	12	7
12-35880-01	Screw, Slotted Pan Hd No. M4 x 0.7 x 36.9MM	13	5
17-01329-02	Harness Assembly, Power	6	5
17-01936-06	Cable Assembly, 10 Cond Flat	21	10
17-02152-03	Cable Assembly, 50 Cond Molded Micro-D (BC21M-09)	1	5
17-02613-01	Cable Assembly, 40 Pos Flat	19	9
17-02613-01	Cable Assembly, 40 Pos Flat	20	9
17-02659-02	Cable Assembly, 50 Cond, Molded, Shielded (BC06P-06)	2	6
17-03021-01	Cable Assembly 8 Cond Flat 28AWG 10 Pos	16	4
17-03021-01	Cable Assembly, 08 Cond Flat	17	4
17-03058-01	Harness Assembly, 05 Cond Power	4	6

**INDEX BY DIGITAL PART NUMBER**  
**DEC 4000 MASS STORAGE DEVICES**

PART NO.	DESCRIPTION	FIG NO.	ITEM NO.
17-03080-02	Harness Assembly, 04 Cond Power	5	5
17-03080-02	Harness Assembly, 04 Cond Power	7	4
17-03155-01	Cable Assembly, Flex Circuit	3	10
17-03155-01	Cable Assembly, Flex Circuit	4	11
17-03155-01	Cable Assembly, Flex Circuit	5	9
17-03155-01	Cable Assembly, Flex Circuit	6	10
17-03155-01	Cable Assembly, Flex Circuit	7	9
17-03158-01	Cable Assembly, 50 Cond Round	17	5
17-03401-01	Harness Assembly, 04 Cond Power	3	6
17-03428-02	Cable Assembly, 28 AWG Flat 1MM 20 Pos	9	10
17-03428-02	Cable Assembly, 28AWG Flat 1MM 20 Pos	9	16
17-03428-02	Cable Assembly, 28AWG Flat 1MM 20 Pos	9	22
17-03428-02	Cable Assembly, 28AWG Flat 1MM 20 Pos	9	4
17-03431-01	Cable Assembly 06 Cond Flat 28AWG 6 Pos	14	6
17-03431-01	Cable Assembly, 06 Cond Round 28AWG 6 Pos	17	17
17-03437-01	Cable Assembly, 28AWG Flat 1MM 06 Cond	10	18
17-03437-01	Cable Assembly, 28AWG Flat 1MM 06 Cond	10	25
17-03527-01	Cable Assembly, 50 Cond 30AWG	7	5
17-03554-01	Cable Assembly, Remote Front Panel 10 Cond	10	11
17-03554-01	Cable Assembly, Remote Front Panel 10 Cond	10	4
30-34512-01	Drive Caddy, CD Rom (Not Shown)	16	12
36-18940-02	Label, "Switch Marker" (Not Shown)	3	5
36-18940-02	Label, "Switch Marker" (Not Shown)	4	5
36-28231-08	Label, "Direct Thermal" (Rolled) (Not Shown)	10	14
36-28231-08	Label, "Direct Thermal" (Rolled) (Not Shown)	10	21
36-28231-08	Label, "Direct Thermal" (Rolled) (Not Shown)	10	28
36-28231-08	Label, "Direct Thermal" (Rolled) (Not Shown)	10	7
36-33181-01	Label, "Bus ID"	22	6
36-33181-02	Label, "Bus ID"	19	3
36-33181-02	Label, "Bus ID"	20	3
36-34565-01	Label, "PV2 Serial"	8	9
36-37990-01	Label, "Device Location"	3	16
36-37990-01	Label, "Device Location"	5	15
36-37990-01	Label, "Device Location"	7	16
36-38608-01	Label, "DSSI RF73"	11	13
36-38608-02	Label, "DSSI RF35"	11	14
36-38608-03	Label, "SCSI"	12	13
36-38608-03	Label, "SCSI"	13	9
36-38608-05	Label, "DSSI"	13	10
37-01215-06	Packaging Assembly (Not Shown)	19	6
37-01215-06	Packaging Assembly (Not Shown)	20	6
37-01333-01	Package Assembly (Not Shown)	8	13
37-01333-01	Package Assembly (Not Shown)	3	18
37-01333-01	Package Assembly (Not Shown)	4	19
37-01333-01	Package Assembly (Not Shown)	5	17
37-01333-01	Package Assembly (Not Shown)	6	18
37-01333-01	Package Assembly (Not Shown)	7	18
37-01353-02	Package Assembly (Not Shown)	15	5
37-01353-04	Package Assembly (Not Shown)	14	7
37-01353-04	Package Assembly (Not Shown)	15	4
37-01353-04	Package Assembly (Not Shown)	16	5
37-01353-06	Packaging Assembly (Not Shown)	9	12
37-01353-06	Packaging Assembly (Not Shown)	9	18



**INDEX BY DIGITAL PART NUMBER**  
**DEC 4000 MASS STORAGE DEVICES**

PART NO.	DESCRIPTION	FIG NO.	ITEM NO.
37-01353-06	Packaging Assembly (Not Shown)	9	24
37-01353-06	Packaging Assembly (Not Shown)	9	6
37-01353-07	Package Assembly (Not Shown)	14	8
37-01353-07	Package Assembly (Not Shown)	16	6
54-19122-01	Module, TZ85 Controller	19	8
54-19122-01	Module, TZ86 Controller	20	8
54-20136-04	Module, SCSI Interface Card	21	8
54-20438-01	Module, I.D.	22	7
54-20868-01	Module, Local Disk Converter (LDC)	3	8
54-20868-01	Module, Local Disk Converter (LDC)	4	9
54-20868-01	Module, Local Disk Converter (LDC)	6	8
54-20868-01	Module, Local Disk Converter (LDC)	7	7
54-20868-01	Module, Local Disk Coverter (LDC)	5	7
54-20896-02	Module, DSSI Remote Front Panel (RFP)	11	11
54-20898-01	Module, SCSI Remote Front Panel (RFP)	12	11
54-21135-01	Module, Hard Disk Interface Card	3	9
54-21135-01	Module, Hard Disk Interface Card	4	10
54-21135-01	Module, Hard Disk Interface Card	5	8
54-21135-01	Module, Hard Disk Interface Card	6	9
54-21135-01	Module, Hard Disk Interface Card	7	8
54-21135-02	Module, Fixed Storage Interface Card	8	6
54-21153-01	Module, I/O SCSI Interface Card	17	6
54-21191-01	Module, Remote Front Panel (RFP)	11	12
54-21191-01	Module, Remote Front Panel (RFP)	12	12
54-21547-01	Module, CD ROM Identification	18	1
54-21835-01	Module, SCSI Terminator Board	7	6
70-27049-02	Bezel, Assembly, Disk Drive (Blank)	1	7
70-27049-02	Bezel, Assembly, Disk Drive (Blank)	2	8
70-27050-01	BEZEL ASSEMBLY, TAPE DRIVE	22	1
70-27050-04	BEZEL ASSEMBLY, TZ85E/TZ86E	19	2
70-27050-04	BEZEL ASSEMBLY, TZ85E/TZ86E	20	2
70-27050-04	BEZEL ASSEMBLY, TZ85E/TZ86E	22	N/A
70-27413-01	Bracket Assembly (Bottom)	21	1
70-27414-01	Bezel Assembly, Filler	1	12
70-27414-01	Bezel Assembly, Filler	2	18
70-27457-01	Bracket Assembly (Top)	21	2
70-28092-02	MOUNTING ASSEMBLY, TZ85E ISE	19	1
70-28092-02	MOUNTING ASSEMBLY, TZ85E ISE	21	N/A
70-28092-04	MOUNTING ASSEMBLY, TZ86E ISE	20	1
70-28092-04	MOUNTING ASSEMBLY, TZ86E ISE	21	N/A
70-28750-01	BEZEL ASSEMBLY, MASS STORAGE (5 1/4")	11	1
70-28750-03	BEZEL ASSEMBLY, MASS STORAGE	13	1
70-28750-04	BEZEL ASSEMBLY, MASS STORAGE (5 1/4")	12	1
70-28750-05	BEZEL ASSEMBLY, MASS STORAGE (3 1/2")	11	2
70-28750-05	BEZEL ASSEMBLY, MASS STORAGE (3 1/2")	12	2
70-28750-06	BEZEL ASSEMBLY (Storageless) (DSSI)	1	8
70-28750-06	BEZEL ASSEMBLY (Storageless) (DSSI)	13	N/A
70-28750-06	BEZEL ASSEMBLY, (Storageless) (DSSI)	8	5
70-28750-07	BEZEL ASSEMBLY (Storageless) (SCSI)	13	N/A
70-28750-07	BEZEL ASSEMBLY (Storageless) (SCSI)	2	17
70-28750-07	BEZEL ASSEMBLY, (Storageless) (SCSI)	8	11
70-28750-08	BEZEL ASSEMBLY (DSSI) (5 1/4")	1	9
70-28750-08	BEZEL ASSEMBLY (DSSI) (5 1/4")	11	N/A

**INDEX BY DIGITAL PART NUMBER**  
**DEC 4000 MASS STORAGE DEVICES**

PART NO.	DESCRIPTION	FIG NO.	ITEM NO.
70-28750-08	BEZEL ASSEMBLY (DSSI) (5 1/4")	4	2
70-28750-09	BEZEL ASSEMBLY (SCSI) (5 1/4")	12	N/A
70-28750-09	BEZEL ASSEMBLY (SCSI) (5 1/4")	2	10
70-28750-09	BEZEL ASSEMBLY, (SCSI) (5 1/4")	6	2
70-28750-10	BEZEL ASSEMBLY (DSSI) (3 1/2")	1	10
70-28750-10	BEZEL ASSEMBLY (DSSI) (3 1/2")	11	N/A
70-28750-10	BEZEL ASSEMBLY, (DSSI) (3 1/2")	3	2
70-28750-12	BEZEL ASSEMBLY (SCSI) (3 1/2")	12	N/A
70-28750-12	BEZEL ASSEMBLY (SCSI) (3 1/2")	2	11
70-28750-12	BEZEL ASSEMBLY, (SCSI) (3 1/2")	5	2
70-28750-12	BEZEL ASSEMBLY, (SCSI) (3 1/2")	7	2
70-28752-01	Cable Assembly, I/O (DSSI)	4	7
70-28752-01	Cable Assembly, I/O (DSSI)	8	4
70-28752-02	Cable Assembly, I/O (DSSI)	3	7
70-28753-01	Cable Assembly, I/O (SCSI)	5	6
70-28753-02	Cable Assembly, (Storageless) (SCSI)	8	10
70-28753-02	Cable Assembly, I/O (SCSI)	6	6
70-28766-01	Tray Assembly, Storage	3	14
70-28766-01	Tray Assembly, Storage	5	13
70-28766-01	Tray Assembly, Storage	7	13
70-29425-01	Base Assembly, M/S	3	1
70-29425-01	Base Assembly, M/S	4	1
70-29425-01	Base Assembly, M/S	5	1
70-29425-01	Base Assembly, M/S	6	1
70-29425-01	Base Assembly, M/S	7	1
70-29433-01	Bracket Assembly, (Top)	17	8
70-29439-01	MOUNTING ASSEMBLY, RRD42 DUAL 1/2 HT	16	7
70-29439-01	MOUNTING ASSEMBLY, RRD42 DUAL 1/2 HT	17	N/A
70-29439-03	MOUNTING ASSEMBLY, TLZ06 DUAL 1/2 HT	14	9
70-29439-03	MOUNTING ASSEMBLY, TLZ06 DUAL 1/2 HT	17	N/A
70-29439-04	MOUNTING ASSEMBLY, TZ30 DUAL 1/2 HT	17	N/A
70-29439-04	MOUNTING ASSEMBLY, TZ30 DUAL 1/2 HT	15	6
70-29491-01	STORAGELESS TRAY (DSSI)	8	N/A
70-29491-02	STORAGELESS TRAY (SCSI)	8	N/A
70-29547-01	BEZEL ASSEMBLY (RRD42, TLZ06, TZ30)	14	10
70-29547-01	BEZEL ASSEMBLY (RRD42, TLZ06, TZ30)	18	N/A
70-29547-01	BEZEL ASSEMBLY RRD42, TLZ06, TZ30	15	7
70-29547-01	BEZEL ASSEMBLY RRD42, TLZ06, TZ30	16	8
70-29547-02	BEZEL ASSEMBLY	18	2
70-30283-01	Plate Assembly, Drive	9	14
70-30283-01	Plate Assembly, Drive	9	2
70-30283-01	Plate Assembly, Drive	9	20
70-30283-01	Plate Assembly, Drive	9	8
74-38830-01	Bracket, Paddle Board	17	9
74-38830-01	Bracket, Paddle Board	21	3
74-39273-01	Bezel, Tape Drive	22	2
74-42295-01	Base Assembly, M/S	8	1
74-42296-01	Bezel, Mass Storage (5 1/4")	11	3
74-42296-03	Bezel, Mass Storage	13	2
74-42296-04	Bezel, Mass Storage (5 1/4")	12	3
74-42296-05	Bezel, Mass Storage (3 1/2")	11	4
74-42296-05	Bezel, Mass Storage (3 1/2")	12	4
74-42570-01	Tray Assembly, Storage	4	16
74-42570-01	Tray Assembly, Storage	6	15

**INDEX BY DIGITAL PART NUMBER**  
**DEC 4000 MASS STORAGE DEVICES**

PART NO.	DESCRIPTION	FIG NO.	ITEM NO.
74-42571-01	Plate Assembly, Drive	10	16
74-42571-01	Plate Assembly, Drive	10	2
74-42571-01	Plate Assembly, Drive	10	23
74-42571-01	Plate Assembly, Drive	10	9
74-42575-01	Clip, Retaining	3	13
74-42575-01	Clip, Retaining	4	14
74-42575-01	Clip, Retaining	5	12
74-42575-01	Clip, Retaining	6	13
74-42575-01	Clip, Retaining	7	12
74-42575-01	Clip, Retaining	8	3
74-42587-01	Bracket, Interface Board	3	11
74-42587-01	Bracket, Interface Board	4	12
74-42587-01	Bracket, Interface Board	5	10
74-42587-01	Bracket, Interface Board	6	11
74-42587-01	Bracket, Interface Board	7	10
74-42587-01	Bracket, Interface Board	8	2
74-43372-01	Retainer, Spring	11	9
74-43372-01	Retainer, Spring	12	9
74-43372-01	Retainer, Spring	13	7
74-43506-01	Bracket Assembly (Bottom)	17	7
74-44060-01	Bezel, Removable Media	18	5
74-44062-01	Bezel, Filler (Blank)	14	11
74-44062-01	Bezel, Filler (Blank)	15	8
74-44062-01	Bezel, Filler (Blank)	16	9
74-45702-01	Cover, Cable Cutout	2	9
74-45702-01	Cover, Cable Cutout	7	3
90-00039-28	Screw Machine Flat Hd No. 6-32 X 5/16	9	15
90-00039-28	Screw Machine Flat Hd No. 6-32 X 5/16	9	3
90-00039-28	Screw, Machine Flat Hd No. 6-32 x 5/16	9	21
90-00039-28	Screw, Machine Flat Hd No. 6-32 x 5/16	9	9
90-00049-34	Screw, Sems Pan Hd No. 6-32 x 1/2	17	12
90-00049-34	Screw, Sems Phi Pan Hd No. 6-32 x 1/2	15	9
90-06021-01	Screw, Machine Phi Pan Hd No. 6-32 x 5/16	18	6
90-06021-01	Screw, Machine Phi Pan Hd No. 6-32 x 5/16	22	5
90-06025-02	Screw, Machine Flat Hd No. 6-32 x 5/8	17	13
90-06025-02	Screw, Machine Flat Hd No. 6-32 x 5/8	21	6
90-06025-02	Screw, Machine Flat Pan Hd No. 6-32 x 5/8	15	10
90-07880-00	Cable Tie (Not Shown)	3	17
90-07880-00	Cable Tie (Not Shown)	5	16
90-07880-00	Cable Tie (Not Shown)	7	17
90-08340-00	Cable Clamp	10	13
90-08340-00	Cable Clamp	10	20
90-08340-00	Cable Clamp	10	27
90-08340-00	Cable Clamp	10	6
90-08340-00	Clip, Cable Harness	4	8
90-08340-00	Clip, Cable Harness	6	7
90-09315-01	Screw, Pan Hd No. 4-40 x 1/4	17	10
90-09315-01	Screw, Pan Hd No. 4-40 x 1/4	3	12
90-09315-01	Screw, Pan Hd No. 4-40 x 1/4	4	13
90-09315-01	Screw, Pan Hd No. 4-40 x 1/4	5	11
90-09315-01	Screw, Pan Hd No. 4-40 x 1/4	6	12
90-09315-01	Screw, Pan Hd No. 4-40 x 1/4	7	11
90-09315-01	Screw, Pan Hd No. 4-40 x 1/4	8	8
90-09315-01	Screw, Phi Pan Hd No. 4-40 x 1/4	21	7

**INDEX BY DIGITAL PART NUMBER**  
**DEC 4000 MASS STORAGE DEVICES**

PART NO.	DESCRIPTION	FIG NO.	ITEM NO.
90-09984-07	Screw Sems Phi Pan Hd No. 6-32 X 5/16	10	10
90-09984-07	Screw Sems Phi Pan Hd No. 6-32 X 5/16	10	24
90-09984-07	Screw Sems Phi Pan Hd No. 6-32 X 5/16	10	3
90-09984-07	Screw Sems Phi Pan Hd No. 6-32 X 5/16	10	17
90-11163-01	Screw, Mach Slotted Pan Hd No. M3 x 14MM	16	10
90-11163-01	Screw, Machine Slotted Pan Hd No. M3 x 14MM	14	12
90-11163-01	Screw, Machine Slotted Pan Hd No. M3 x 14MM	17	11
90-11223-01	Screw, Machine Flat Hd No. M4 x 6MM	4	17
90-11223-01	Screw, Machine Flat Hd No. M4 x 6MM	6	16
90-11315-01	Washer, Lock	11	10
90-11315-01	Washer, Lock	12	10
90-11315-01	Washer, Lock	13	8
90-11323-01	O-Ring	4	18
90-11323-01	O-Ring	6	17
90-40122-07	Screw, Machine Flat Hd No. 16MM	3	15
90-40122-07	Screw, Machine Flat Hd No. 16MM	5	14
90-40122-07	Screw, Machine Flat Hd No. 16MM	7	14
90-40192-01	Spacer, Round	15	11
90-40192-01	Spacer, Round	17	14
BA6FE-MA	STORAGELESS TRAY (DSSI)	1	11
BA6FE-MA	STORAGELESS TRAY (DSSI)	8	N/A
BA6FE-MX	STORAGE TRAY, BA6FE (5 1/4" DSSI)	4	N/A
BA6FE-MX	STORAGE TRAY, BA6FE (5 1/4" SCSI)	1	3
BA6FE-MY	STORAGE TRAY, BA6FE (3 1/2" DSSI)	3	N/A
BA6FE-MY	STORAGE TRAY, BA6FE (3 1/2" DSSI)	1	1
BA6ZB-MY	STORAGE TRAY, BA6ZB (FAST SCSI)	7	N/A
BA6ZB-MY	STORAGE TRAY, BA6ZB (Fast SCSI)	2	3
BA6ZE-MA	STORAGELESS TRAY (SCSI)	2	16
BA6ZE-MA	STORAGELESS TRAY (SCSI)	8	N/A
BA6ZE-MX	STORAGE TRAY, BA6ZE (5 1/4" SCSI)	2	4
BA6ZE-MX	STORAGE TRAY, BA6ZE (5 1/4" SCSI)	6	N/A
BA6ZE-MY	STORAGE TRAY, BA6ZE (3 1/2" SCSI)	2	1
BA6ZE-MY	STORAGE TRAY, BA6ZE (3 1/2" SCSI)	5	N/A
EK-DS3DR-IN	Documentation, Instruction Sheet (Not Shown)	9	11
EK-DS3DR-IN	Documentation, Instruction Sheet (Not Shown)	9	5
EK-DS5DR-IN	Documentation, Instruction Sheet (Not Shown)	10	12
EK-DS5DR-IN	Documentation, Instruction Sheet (Not Shown)	10	5
EK-KN430-OG	Documentation, Options Guide (Not Shown)	15	12
EK-KN430-OG	Documentation, Options Guide (Not Shown)	14	13
EK-KN430-OG	Documentation, Options Guide (Not Shown)	16	11
EK-KN430-OG	Documentation, Options Guide (Not Shown)	19	4
EK-KN430-OG	Documentation, Options Guide (Not Shown)	20	4
EK-SC3DR-IN	Documentation, Instruction Sheet (Not Shown)	9	17
EK-SC3DR-IN	Documentation, Instruction Sheet (Not Shown)	9	23
EK-SC5DR-IN	Documentation, Instruction Sheet (Not Shown)	10	19
EK-SC5DR-IN	Documentation, Instruction Sheet (Not Shown)	10	26
RF35-EA	Disk Drive Assembly, RF35 (852 MB)	9	1
RF35-MY	DISK DRIVE ASSEMBLY, RF35 (DSSI)	9	N/A
RF35-MY	DISK DRIVE ASSEMBLY, RF35 DSSI	1	2
RF36-EA	Disk Drive Assembly, RF36 (1.6 GB)	9	7
RF36-MY	DISK DRIVE ASSEMBLY, RF36 (DSSI)	9	N/A
RF36-MY	DISK DRIVE ASSEMBLY, RF36 DSSI	1	2
RF73-EA	Disk Drive Assembly, RF73 (2.0 GB)	10	1

**INDEX BY DIGITAL PART NUMBER**  
**DEC 4000 MASS STORAGE DEVICES**

PART NO.	DESCRIPTION	FIG NO.	ITEM NO.
RF73-MX	DISK DRIVE ASSEMBLY, RF73	1	4
RF73-MX	DISK DRIVE ASSEMBLY, RF73	10	N/A
RF74-EA	Disk Drive Assembly, RF74 (3.57 GB)	10	8
RF74-MX	DISK DRIVE ASSEMBLY, RF74	1	4
RF74-MX	DISK DRIVE ASSEMBLY, RF74	10	N/A
RRD42-AA	Disk Drive Assembly, CDROM (600 MB)	16	1
RRD42-AA	Storage Element, RRD42	17	1
RRD42-XX	STORAGE ELEMENT, RRD42	2	12
RZ26-E	Disk Drive Assembly, RZ26	9	13
RZ26-MY	DISK DRIVE ASSEMBLY, RZ26 (SCSI)	2	2
RZ26-MY	DISK DRIVE ASSEMBLY, RZ26 (SCSI)	9	N/A
RZ28-E	Disk Drive Assembly, RZ28	9	19
RZ28-MY	DISK DRIVE ASSEMBLY, RZ28 (SCSI)	2	2
RZ28-MY	DISK DRIVE ASSEMBLY, RZ28 (SCSI)	9	N/A
RZ73-E	Disk Drive Assembly, RZ73 (2.0 GB)	10	15
RZ73-MX	DISK DRIVE ASSEMBLY, RZ73	10	N/A
RZ73-MX	DISK DRIVE ASSEMBLY, RZ73	2	5
RZ74-E	Disk Drive Assembly, RZ74 (3.57 GB)	10	22
RZ74-MX	DISK DRIVE ASSEMBLY, RZ74	10	N/A
RZ74-MX	DISK DRIVE ASSEMBLY, RZ74	2	5
TKXX-HC	Kit, Tape Head Cleaning (Not Shown)	15	1
TLZ04-HA	Cartridge, 4MM Dat Drive Cleaning	14	1
TLZ06-BA	Tape Drive Assembly TLZ06	14	2
TLZ06-BA	Tape Drive Assembly TLZ06	17	16
TLZ06-CA	Cartridge, Single 4 GB Dat Data	14	3
TLZ06-XX	STORAGE ELEMENT, TLZ06	2	14
TZ30-AA	Tape Drive Assembly TZ30	15	2
TZ30-AA	Tape Drive Assembly TZ30	17	15
TZ30-XX	STORAGE ELEMENT, TZ30	2	13
TZ85-BA	Tape Drive Assembly	19	7
TZ85-BA	Tape Drive Assembly	21	9
TZ85E-MX	STORAGE ELEMENT, TZ85E	19	N/A
TZ85E-MX	STORAGE ELEMENT, TZ85E	2	15
TZ86-BA	Tape Drive Assembly	20	7
TZ86-BA	Tape Drive Assembly	21	9
TZ86E-MX	STORAGE ELEMENT, TZ86E	2	15
TZ86E-MX	STORAGE ELEMENT, TZ86E	20	N/A

INDEX BY DIGITAL PART NUMBER  
DEC 4000 MASS STORAGE DEVICES

PART NO.	DESCRIPTION	FIG NO.	ITEM NO.
-------------	-------------	------------	-------------

---

THIS PAGE INTENTIONALLY LEFT BLANK

**INDEX BY DIGITAL PART DESCRIPTION**  
**DEC 4000 MASS STORAGE DEVICES**

DESCRIPTION	PART NO.	FIG. NO.	ITEM NO.
<b>3 1/2" DISK DRIVE ASSEMBLIES</b>	N/A	9	N/A
<b>5 1/4" DISK DRIVE ASSEMBLIES</b>	N/A	10	N/A
Base Assembly, M/S	70-29425-01	3	1
Base Assembly, M/S	70-29425-01	4	1
Base Assembly, M/S	70-29425-01	5	1
Base Assembly, M/S	70-29425-01	6	1
Base Assembly, M/S	70-29425-01	7	1
Base Assembly, M/S	74-42295-01	8	1
<b>BEZEL ASSEMBLY</b>	70-29547-02	18	2
Bezel, Assembly, Disk Drive (Blank)	70-27049-02	1	7
Bezel, Assembly, Disk Drive (Blank)	70-27049-02	2	8
<b>BEZEL ASSEMBLY (DSSI) (3 1/2")</b>	70-28750-10	1	10
<b>BEZEL ASSEMBLY (DSSI) (3 1/2")</b>	70-28750-10	11	N/A
<b>BEZEL ASSEMBLY (DSSI) (5 1/4")</b>	70-28750-08	1	9
<b>BEZEL ASSEMBLY (DSSI) (5 1/4")</b>	70-28750-08	11	N/A
<b>BEZEL ASSEMBLY (DSSI) (5 1/4")</b>	70-28750-08	4	2
<b>BEZEL ASSEMBLY, (DSSI) (3 1/2")</b>	70-28750-10	3	2
Bezel Assembly, Filler	70-27414-01	1	12
Bezel Assembly, Filler	70-27414-01	2	18
<b>BEZEL ASSEMBLY, MASS STORAGE</b>	70-28750-03	13	1
<b>BEZEL ASSEMBLY, MASS STORAGE (3 1/2")</b>	70-28750-05	11	2
<b>BEZEL ASSEMBLY, MASS STORAGE (3 1/2")</b>	70-28750-05	12	2
<b>BEZEL ASSEMBLY, MASS STORAGE (5 1/4")</b>	70-28750-01	11	1
<b>BEZEL ASSEMBLY, MASS STORAGE (5 1/4")</b>	70-28750-04	12	1
<b>BEZEL ASSEMBLY (RRD42, TLZ06, TZ30)</b>	70-29547-01	14	10
<b>BEZEL ASSEMBLY (RRD42, TLZ06, TZ30)</b>	70-29547-01	18	N/A
<b>BEZEL ASSEMBLY (RRD42, TLZ06, TZ30)</b>	70-29547-01	15	7
<b>BEZEL ASSEMBLY (RRD42, TLZ06, TZ30)</b>	70-29547-01	16	8
<b>BEZEL ASSEMBLY (SCSI) (3 1/2")</b>	70-28750-12	12	N/A
<b>BEZEL ASSEMBLY (SCSI) (3 1/2")</b>	70-28750-12	2	11
<b>BEZEL ASSEMBLY (SCSI) (5 1/4")</b>	70-28750-09	12	N/A
<b>BEZEL ASSEMBLY (SCSI) (5 1/4")</b>	70-28750-09	2	10
<b>BEZEL ASSEMBLY (Storageless) (DSSI)</b>	70-28750-06	1	8
<b>BEZEL ASSEMBLY (Storageless) (DSSI)</b>	70-28750-06	13	N/A
<b>BEZEL ASSEMBLY (Storageless) (SCSI)</b>	70-28750-07	13	N/A
<b>BEZEL ASSEMBLY (Storageless) (SCSI)</b>	70-28750-07	2	17
<b>BEZEL ASSEMBLY, (SCSI) (3 1/2")</b>	70-28750-12	5	2
<b>BEZEL ASSEMBLY, (SCSI) (3 1/2")</b>	70-28750-12	7	2
<b>BEZEL ASSEMBLY, (SCSI) (5 1/4")</b>	70-28750-09	6	2
<b>BEZEL ASSEMBLY, (Storageless) (DSSI)</b>	70-28750-06	8	5
<b>BEZEL ASSEMBLY, (Storageless) (SCSI)</b>	70-28750-07	8	11
<b>BEZEL ASSEMBLY, TAPE DRIVE</b>	70-27050-01	22	1
<b>BEZEL ASSEMBLY, TZ85E/TZ86E</b>	70-27050-04	19	2
<b>BEZEL ASSEMBLY, TZ85E/TZ86E</b>	70-27050-04	20	2
<b>BEZEL ASSEMBLY, TZ85E/TZ86E</b>	70-27050-04	22	N/A
Bezel, Filler (Blank)	74-44062-01	14	11
Bezel, Filler (Blank)	74-44062-01	15	8
Bezel, Filler (Blank)	74-44062-01	16	9
Bezel, Mass Storage	74-42296-03	13	2
Bezel, Mass Storage (3 1/2")	74-42296-05	11	4
<b>Bezel, Mass Storage (3 1/2")</b>	74-42296-05	12	4
<b>Bezel, Mass Storage (5 1/4")</b>	74-42296-01	11	3
<b>Bezel, Mass Storage (5 1/4")</b>	74-42296-04	12	3

**INDEX BY DIGITAL PART DESCRIPTION**  
**DEC 4000 MASS STORAGE DEVICES**

DESCRIPTION	PART NO.	FIG. NO.	ITEM NO.
Bezel, Removable Media	74-44060-01	18	5
Bezel, Tape Drive	74-39273-01	22	2
Bracket Assembly (Bottom)	70-27413-01	21	1
Bracket Assembly (Bottom)	74-43506-01	17	7
Bracket Assembly (Top)	70-27457-01	21	2
Bracket Assembly, (Top)	70-29433-01	17	8
Bracket, Interface Board	74-42587-01	3	11
Bracket, Interface Board	74-42587-01	4	12
Bracket, Interface Board	74-42587-01	5	10
Bracket, Interface Board	74-42587-01	6	11
Bracket, Interface Board	74-42587-01	7	10
Bracket, Interface Board	74-42587-01	8	2
Bracket, Paddle Board	74-38830-01	17	9
Bracket, Paddle Board	74-38830-01	21	3
Cable Assembly 06 Cond Flat 28AWG 6 Pos	17-03431-01	14	6
Cable Assembly 8 Cond Flat 28AWG 10 Pos	17-03021-01	16	4
Cable Assembly, (Storageless) (SCSI)	70-28753-02	8	10
Cable Assembly, 06 Cond Round 28AWG 6 Pos	17-03431-01	17	17
Cable Assembly, 08 Cond Flat	17-03021-01	17	4
Cable Assembly, 10 Cond Flat	17-01936-06	21	10
Cable Assembly, 28 AWG Flat 1MM 20 Pos	17-03428-02	9	10
Cable Assembly, 28AWG Flat 1MM 06 Cond	17-03437-01	10	18
Cable Assembly, 28AWG Flat 1MM 06 Cond	17-03437-01	10	25
Cable Assembly, 28AWG Flat 1MM 20 Pos	17-03428-02	9	16
Cable Assembly, 28AWG Flat 1MM 20 Pos	17-03428-02	9	22
Cable Assembly, 28AWG Flat 1MM 20 Pos	17-03428-02	9	4
Cable Assembly, 40 Pos Flat	17-02613-01	19	9
Cable Assembly, 40 Pos Flat	17-02613-01	20	9
Cable Assembly, 50 Cond 30AWG	17-03527-01	7	5
Cable Assembly, 50 Cond Molded Micro-D (BC21M-09)	17-02152-03	1	5
Cable Assembly, 50 Cond Round	17-03158-01	17	5
Cable Assembly, 50 Cond, Molded, Shielded (BC06P-06)	17-02659-02	2	6
Cable Assembly, Flex Circuit	17-03155-01	3	10
Cable Assembly, Flex Circuit	17-03155-01	4	11
Cable Assembly, Flex Circuit	17-03155-01	5	9
Cable Assembly, Flex Circuit	17-03155-01	6	10
Cable Assembly, Flex Circuit	17-03155-01	7	9
Cable Assembly, I/O (DSSI)	70-28752-01	4	7
Cable Assembly, I/O (DSSI)	70-28752-01	8	4
Cable Assembly, I/O (DSSI)	70-28752-02	3	7
Cable Assembly, I/O (SCSI)	70-28753-01	5	6
Cable Assembly, I/O (SCSI)	70-28753-02	6	6
Cable Assembly, Remote Front Panel 10 Cond	17-03554-01	10	11
Cable Assembly, Remote Front Panel 10 Cond	17-03554-01	10	4
Cable Clamp	90-08340-00	10	13
Cable Clamp	90-08340-00	10	20
Cable Clamp	90-08340-00	10	27
Cable Clamp	90-08340-00	10	6
Cable Tie (Not Shown)	90-07880-00	3	17
Cable Tie (Not Shown)	90-07880-00	5	16
Cable Tie (Not Shown)	90-07880-00	7	17
Cartridge, 4MM Dat Drive Cleaning	TLZ04-HA	14	1
Cartridge, Single 4 GB Dat Data	TLZ06-CA	14	3
Clip, Cable Harness	90-08340-00	4	8



**INDEX BY DIGITAL PART DESCRIPTION**  
**DEC 4000 MASS STORAGE DEVICES**

DESCRIPTION	PART NO.	FIG. NO.	ITEM NO.
Clip, Cable Harness	90-08340-00	6	7
Clip, Retaining	74-42575-01	3	13
Clip, Retaining	74-42575-01	4	14
Clip, Retaining	74-42575-01	5	12
Clip, Retaining	74-42575-01	6	13
Clip, Retaining	74-42575-01	7	12
Clip, Retaining	74-42575-01	8	3
Connector, Terminator	12-29258-01	3	3
Connector, Terminator	12-29258-01	4	3
Connector, Terminator	12-29258-01	8	7
Connector, Terminator	12-30552-01	5	3
Connector, Terminator	12-30552-01	6	3
Connector, Terminator	12-30552-01	8	12
Cover, Cable Cutout	74-45702-01	2	9
Cover, Cable Cutout	74-45702-01	7	3
DISK DRIVE ASSEMBLY, RF35 (DSSI)	RF35-MY	9	N/A
DISK DRIVE ASSEMBLY, RF35 DSSI	RF35-MY	1	2
DISK DRIVE ASSEMBLY, RF36 (DSSI)	RF36-MY	9	N/A
DISK DRIVE ASSEMBLY, RF36 DSSI	RF36-MY	1	2
DISK DRIVE ASSEMBLY, RF73	RF73-MX	1	4
DISK DRIVE ASSEMBLY, RF73	RF73-MX	10	N/A
DISK DRIVE ASSEMBLY, RF74	RF74-MX	1	4
DISK DRIVE ASSEMBLY, RF74	RF74-MX	10	N/A
DISK DRIVE ASSEMBLY, RZ26 (SCSI)	RZ26-MY	2	2
DISK DRIVE ASSEMBLY, RZ26 (SCSI)	RZ26-MY	9	N/A
DISK DRIVE ASSEMBLY, RZ28 (SCSI)	RZ28-MY	2	2
DISK DRIVE ASSEMBLY, RZ28 (SCSI)	RZ28-MY	9	N/A
DISK DRIVE ASSEMBLY, RZ73	RZ73-MX	10	N/A
DISK DRIVE ASSEMBLY, RZ73	RZ73-MX	2	5
DISK DRIVE ASSEMBLY, RZ74	RZ74-MX	10	N/A
DISK DRIVE ASSEMBLY, RZ74	RZ74-MX	2	5
DSSI MOUNTING AND CABLING ASSEMBLY	N/A	1	N/A
Disk Drive Assembly, CDROM (600 MB)	RRD42-AA	16	1
Disk Drive Assembly, RF35 (852 MB)	RF35-EA	9	1
Disk Drive Assembly, RF36 (1.6 GB)	RF36-EA	9	7
Disk Drive Assembly, RF73 (2.0 GB)	RF73-EA	10	1
Disk Drive Assembly, RF74 (3.57 GB)	RF74-EA	10	8
Disk Drive Assembly, RZ26	RZ26-E	9	13
Disk Drive Assembly, RZ28	RZ28-E	9	19
Disk Drive Assembly, RZ73 (2.0 GB)	RZ73-E	10	15
Disk Drive Assembly, RZ74 (3.57 GB)	RZ74-E	10	22
Documentation, Instruction Sheet (Not Shown)	EK-DS3DR-IN	9	11
Documentation, Instruction Sheet (Not Shown)	EK-DS3DR-IN	9	5
Documentation, Instruction Sheet (Not Shown)	EK-DS5DR-IN	10	12
Documentation, Instruction Sheet (Not Shown)	EK-DS5DR-IN	10	5
Documentation, Instruction Sheet (Not Shown)	EK-SC3DR-IN	9	17
Documentation, Instruction Sheet (Not Shown)	EK-SC3DR-IN	9	23
Documentation, Instruction Sheet (Not Shown)	EK-SC5DR-IN	10	19
Documentation, Instruction Sheet (Not Shown)	EK-SC5DR-IN	10	26
Documentation, Options Guide (Not Shown)	EK-KN430-OG	14	13
Documentation, Options Guide (Not Shown)	EK-KN430-OG	15	12
Documentation, Options Guide (Not Shown)	EK-KN430-OG	16	11
Documentation, Options Guide (Not Shown)	EK-KN430-OG	19	4

**INDEX BY DIGITAL PART DESCRIPTION**  
**DEC 4000 MASS STORAGE DEVICES**

DESCRIPTION	PART NO.	FIG. NO.	ITEM NO.
Documentation, Options Guide (Not Shown)	EK-KN430-OG	20	4
Drive Caddy, CD Rom (Not Shown)	30-34512-01	16	12
Encoder Set, Blank	12-34499-01	14	14
Encoder Set, Blank	12-34499-01	15	13
Encoder Set, Blank (Not Shown)	12-34499-01	16	13
Encoder Set, Lens	12-28766-19	3	4
Encoder Set, Lens	12-28766-19	4	4
Encoder Set, Lens	12-28766-19	5	4
Encoder Set, Lens	12-28766-19	6	4
Encoder Set, Lens	12-28766-19	7	15
Encoder Set, Lens (Grey)	12-28766-19	14	4
Encoder Set, Lens (Grey)	12-28766-19	16	2
Encoder Set, Lens (Grey)	12-28766-28	19	5
Encoder Set, Lens (Grey)	12-28766-28	20	5
Finger, Grounding	12-26922-01	18	3
Finger, Grounding	12-26922-01	22	3
Finger, Grounding	12-26922-05	11	5
Finger, Grounding	12-26922-05	12	5
Finger, Grounding	12-26922-05	13	3
Harness Assembly, 04 Cond Power	17-03080-02	5	5
Harness Assembly, 04 Cond Power	17-03080-02	7	4
Harness Assembly, 04 Cond Power	17-03401-01	3	6
Harness Assembly, 05 Cond Power	17-03058-01	4	6
Harness Assembly, Power	17-01329-02	6	5
Isolator, Shock (Ferrule Only)	12-32626-03	14	5
Isolator, Shock (Ferrule Only)	12-32626-03	15	3
Isolator, Shock (Ferrule Only)	12-32626-03	16	3
Isolator, Shock (Ferrule Only)	12-32626-03	17	2
Isolator, Shock (Ferrule Only)	12-32626-03	21	4
Isolator, Shock (Grommet Only)	12-32626-04	17	3
Isolator, Shock (Grommet Only)	12-32626-04	21	5
Kit, Tape Head Cleaning (Not Shown)	TKXX-HC	15	1
Label, "Bus ID"	36-33181-02	19	3
Label, "Bus ID"	36-33181-02	20	3
Label, "Bus ID"	36-33181-01	22	6
Label, "DSSI RF35"	36-38608-02	11	14
Label, "DSSI RF73"	36-38608-01	11	13
Label, "DSSI"	36-38608-05	13	10
Label, "Device Location"	36-37990-01	3	16
Label, "Device Location"	36-37990-01	5	15
Label, "Device Location"	36-37990-01	7	16
Label, "Direct Thermal" (Rolled) (Not Shown)	36-28231-08	10	14
Label, "Direct Thermal" (Rolled) (Not Shown)	36-28231-08	10	21
Label, "Direct Thermal" (Rolled) (Not Shown)	36-28231-08	10	7
Label, "Direct Thermal" (Rolled) (Not Shown)	36-28231-08	10	28
Label, "PV2 Serial"	36-34565-01	8	9
Label, "SCSI"	36-38608-03	12	13
Label, "SCSI"	36-38608-03	13	9
Label, "Switch Marker" (Not Shown)	36-18940-02	3	5
Label, "Switch Marker" (Not Shown)	36-18940-02	4	5

**INDEX BY DIGITAL PART DESCRIPTION**  
**DEC 4000 MASS STORAGE DEVICES**

DESCRIPTION	PART NO.	FIG. NO.	ITEM NO.
Module, CD ROM Identification	54-21547-01	18	1
Module, DSSI Remote Front Panel (RPF)	54-20896-02	11	11
Module, Fixed Storage Interface Card	54-21135-02	8	6
Module, Hard Disk Interface Card	54-21135-01	3	9
Module, Hard Disk Interface Card	54-21135-01	4	10
Module, Hard Disk Interface Card	54-21135-01	5	8
Module, Hard Disk Interface Card	54-21135-01	6	9
Module, Hard Disk Interface Card	54-21135-01	7	8
Module, I.D.	54-20438-01	22	7
Module, I/O SCSI Interface Card	54-21153-01	17	6
Module, Local Disk Converter (LDC)	54-20868-01	3	8
Module, Local Disk Converter (LDC)	54-20868-01	4	9
Module, Local Disk Converter (LDC)	54-20868-01	6	8
Module, Local Disk Converter (LDC)	54-20868-01	7	7
Module, Local Disk Converter (LDC)	54-20868-01	5	7
Module, Remote Front Panel (RFP)	54-21191-01	11	12
Module, Remote Front Panel (RFP)	54-21191-01	12	12
Module, SCSI Interface Card	54-20136-04	21	8
Module, SCSI Remote Front Panel (RFP)	54-20898-01	12	11
Module, SCSI Terminator Board	54-21835-01	7	6
Module, TZ85 Controller	54-19122-01	19	8
Module, TZ86 Controller	54-19122-01	20	8
Mount, Shock	12-35414-01	4	15
Mount, Shock	12-35414-01	6	14
MOUNTING ASSEMBLY, TZ30 DUAL 1/2 HT	70-29439-04	17	N/A
MOUNTING ASSEMBLY, RRD42 DUAL 1/2 HT	70-29439-01	16	7
MOUNTING ASSEMBLY, RRD42 DUAL 1/2 HT	70-29439-01	17	N/A
MOUNTING ASSEMBLY, TLZ06 DUAL 1/2 HT	70-29439-03	14	9
MOUNTING ASSEMBLY, TLZ06 DUAL 1/2 HT	70-29439-03	17	N/A
MOUNTING ASSEMBLY, TZ30 DUAL 1/2 HT	70-29439-04	15	6
MOUNTING ASSEMBLY, TZ85E ISE	70-28092-02	19	1
MOUNTING ASSEMBLY, TZ85E ISE	70-28092-02	21	N/A
MOUNTING ASSEMBLY, TZ86E ISE	70-28092-04	20	1
MOUNTING ASSEMBLY, TZ86E ISE	70-28092-04	21	N/A
O-Ring	90-11323-01	4	18
O-Ring	90-11323-01	6	17
Package Assembly (Not Shown)	37-01333-01	8	13
Package Assembly (Not Shown)	37-01333-01	3	18
Package Assembly (Not Shown)	37-01333-01	4	19
Package Assembly (Not Shown)	37-01333-01	5	17
Package Assembly (Not Shown)	37-01333-01	6	18
Package Assembly (Not Shown)	37-01333-01	7	18
Package Assembly (Not Shown)	37-01353-02	15	5
Package Assembly (Not Shown)	37-01353-04	14	7
Package Assembly (Not Shown)	37-01353-04	15	4
Package Assembly (Not Shown)	37-01353-04	16	5
Package Assembly (Not Shown)	37-01353-07	14	8
Package Assembly (Not Shown)	37-01353-07	16	6
Packaging Assembly (Not Shown)	37-01215-06	19	6
Packaging Assembly (Not Shown)	37-01215-06	20	6
Packaging Assembly (Not Shown)	37-01353-06	9	12
Packaging Assembly (Not Shown)	37-01353-06	9	18
Packaging Assembly (Not Shown)	37-01353-06	9	24

**INDEX BY DIGITAL PART DESCRIPTION**  
**DEC 4000 MASS STORAGE DEVICES**

DESCRIPTION	PART NO.	FIG. NO.	ITEM NO.
Packaging Assembly (Not Shown)	37-01353-06	9	6
Plate Assembly, Drive	70-30283-01	9	14
Plate Assembly, Drive	70-30283-01	9	2
Plate Assembly, Drive	70-30283-01	9	20
Plate Assembly, Drive	70-30283-01	9	8
Plate Assembly, Drive	74-42571-01	10	16
Plate Assembly, Drive	74-42571-01	10	2
Plate Assembly, Drive	74-42571-01	10	23
Plate Assembly, Drive	74-42571-01	10	9
Retainer, Spring	74-43372-01	11	9
Retainer, Spring	74-43372-01	12	9
Retainer, Spring	74-43372-01	13	7
Screw Machine Flat Hd No. 6-32 X 5/16	90-00039-28	9	15
Screw Machine Flat Hd No. 6-32 X 5/16	90-00039-28	9	3
Screw Sems Phl Pan Hd No. 6-32 X 5/16	90-09984-07	10	10
Screw Sems Phl Pan Hd No. 6-32 X 5/16	90-09984-07	10	17
Screw Sems Phl Pan Hd No. 6-32 X 5/16	90-09984-07	10	24
Screw Sems Phl Pan Hd No. 6-32 X 5/16	90-09984-07	10	3
Screw, Mach Slotted Pan Hd No. M3 x 14MM	90-11163-01	16	10
Screw, Machine Flat Hd No. 16MM	90-40122-07	3	15
Screw, Machine Flat Hd No. 16MM	90-40122-07	5	14
Screw, Machine Flat Hd No. 16MM	90-40122-07	7	14
Screw, Machine Flat Hd No. 6-32 x 5/16	90-00039-28	9	21
Screw, Machine Flat Hd No. 6-32 x 5/16	90-00039-28	9	9
Screw, Machine Flat Hd No. 6-32 x 5/8	90-06025-02	17	13
Screw, Machine Flat Hd No. 6-32 x 5/8	90-06025-02	21	6
Screw, Machine Flat Hd No. M4 x 6MM	90-11223-01	4	17
Screw, Machine Flat Hd No. M4 x 6MM	90-11223-01	6	16
Screw, Machine Flat Pan Hd No. 6-32 x 5/8	90-06025-02	15	10
Screw, Machine Phl Pan Hd No. 6-32 x 5/16	90-06021-01	18	6
Screw, Machine Phl Pan Hd No. 6-32 x 5/16	90-06021-01	22	5
Screw, Machine Slotted Pan Hd No. M3 x 14MM	90-11163-01	14	12
Screw, Machine Slotted Pan Hd No. M3 x 14MM	90-11163-01	17	11
Screw, Pan Hd No. 4-40 x 1/4	90-09315-01	17	10
Screw, Pan Hd No. 4-40 x 1/4	90-09315-01	3	12
Screw, Pan Hd No. 4-40 x 1/4	90-09315-01	4	13
Screw, Pan Hd No. 4-40 x 1/4	90-09315-01	5	11
Screw, Pan Hd No. 4-40 x 1/4	90-09315-01	6	12
Screw, Pan Hd No. 4-40 x 1/4	90-09315-01	7	11
Screw, Pan Hd No. 4-40 x 1/4	90-09315-01	8	8
Screw, Phl Pan Hd No. 4-40 x 1/4	90-09315-01	21	7
Screw, Sems Pan Hd No. 6-32 x 1/2	90-00049-34	17	12
Screw, Sems Phl Pan Hd No. 6-32 x 1/2	90-00049-34	15	9
Screw, Slotted Pan Hd No. M4 x 0.7 x 36.9MM	12-35880-01	11	7
Screw, Slotted Pan Hd No. M4 x 0.7 x 36.9MM	12-35880-01	12	7
Screw, Slotted Pan Hd No. M4 x 0.7 x 36.9MM	12-35880-01	13	5
SCSI MOUNTING AND CABLING ASSEMBLY	N/A	2	N/A
Spacer, Round	90-40192-01	15	11
Spacer, Round	90-40192-01	17	14
Spring, Compression	12-35728-01	11	8
Spring, Compression	12-35728-01	12	8
Spring, Compression	12-35728-01	13	6
Storage Element, RRD42	RRD42-AA	17	1

**INDEX BY DIGITAL PART DESCRIPTION**  
**DEC 4000 MASS STORAGE DEVICES**

DESCRIPTION	PART NO.	FIG. NO.	ITEM NO.
STORAGE ELEMENT, RRD42	N/A	16	N/A
STORAGE ELEMENT, RRD42	RRD42-XX	2	12
STORAGE ELEMENT, TLZ06	N/A	14	N/A
STORAGE ELEMENT, TLZ06	TLZ06-XX	2	14
STORAGE ELEMENT, TZ30	N/A	15	N/A
STORAGE ELEMENT, TZ30	TZ30-XX	2	13
STORAGE ELEMENT, TZ85E	TZ85E-MX	19	N/A
STORAGE ELEMENT, TZ85E	TZ85E-MX	2	15
STORAGE ELEMENT, TZ86E	TZ86E-MX	2	15
STORAGE ELEMENT, TZ86E	TZ86E-MX	20	N/A
STORAGE TRAY, BA6FE (3 1/2" DSSI)	BA6FE-MY	1	1
STORAGE TRAY, BA6FE (3 1/2" DSSI)	BA6FE-MY	3	N/A
STORAGE TRAY, BA6FE (5 1/4" DSSI)	BA6FE-MX	4	N/A
STORAGE TRAY, BA6FE (5 1/4" SCSI)	BA6FE-MX	1	3
STORAGE TRAY, BA6ZB (FAST SCSI)	BA6ZB-MY	7	N/A
STORAGE TRAY, BA6ZB (Fast SCSI)	BA6ZB-MY	2	3
STORAGE TRAY, BA6ZE (3 1/2" SCSI)	BA6ZE-MY	2	1
STORAGE TRAY, BA6ZE (3 1/2" SCSI)	BA6ZE-MY	5	N/A
STORAGE TRAY, BA6ZE (5 1/4" SCSI)	BA6ZE-MX	2	4
STORAGE TRAY, BA6ZE (5 1/4" SCSI)	BA6ZE-MX	6	N/A
STORAGELESS TRAY (DSSI)	70-29491-01	8	N/A
STORAGELESS TRAY (DSSI)	BA6FE-MA	1	11
STORAGELESS TRAY (DSSI)	BA6FE-MA	8	N/A
STORAGELESS TRAY (SCSI)	70-29491-02	8	N/A
STORAGELESS TRAY (SCSI)	BA6ZE-MA	2	16
STORAGELESS TRAY (SCSI)	BA6ZE-MA	8	N/A
Tape Drive Assembly	TZ85-BA	19	7
Tape Drive Assembly	TZ85-BA	21	9
Tape Drive Assembly	TZ86-BA	20	7
Tape Drive Assembly	TZ86-BA	21	9
Tape Drive Assembly TLZ06	TLZ06-BA	14	2
Tape Drive Assembly TLZ06	TLZ06-BA	17	16
Tape Drive Assembly TZ30	TZ30-AA	15	2
Tape Drive Assembly TZ30	TZ30-AA	17	15
Terminator (SCSI)	12-30552-01	2	7
Terminator, (DSSI)	12-29258-01	1	6
Tray Assembly, Storage	70-28766-01	3	14
Tray Assembly, Storage	70-28766-01	5	13
Tray Assembly, Storage	70-28766-01	7	13
Tray Assembly, Storage	74-42570-01	4	16
Tray Assembly, Storage	74-42570-01	6	15
Washer, Lock	90-11315-01	11	10
Washer, Lock	90-11315-01	12	10
Washer, Lock	90-11315-01	13	8
Washer, Retaining	12-30421-01	18	4
Washer, Retaining	12-30421-01	22	4
Washer, Retaining	12-35727-01	11	6
Washer, Retaining	12-35727-01	12	6
Washer, Retaining	12-35727-01	13	4

**INDEX BY DIGITAL PART DESCRIPTION  
DEC 4000 MASS STORAGE DEVICES**

<b>DESCRIPTION</b>	<b>PART NO.</b>	<b>FIG. NO.</b>	<b>ITEM NO.</b>
--------------------	---------------------	---------------------	---------------------

---

**THIS PAGE INTENTIONALLY LEFT BLANK**