



MicroVAX 3100
Models 30/40/80/85/90/95/96

Illustrated Parts Breakdown

Order Number: EK-MV310-IP. D01

Digital Equipment Corporation
Maynard, Massachusetts



Digital Equipment Corporation reserves the right, without notice, to make substitutions and modifications in the specifications of products documented in this manual and further reserves the right to withdraw any of these products from the market without notice.

Digital Equipment Corporation is not responsible for errors which may appear in the technical description (including illustrations and photographs) of the products covered by this manual.

None of the descriptions contained in this manual imply the granting of any license whatsoever to make, use or sell equipment constructed in accordance therewith.

Restricted Rights: Use, duplication or disclosure by the U.S. Government is subject to restrictions as set forth in subparagraph (c) (1) (ii) of the Rights in Technical Data and Computer Software clause at DFARS 252.227-2713.

Copyright © 1991, 1992, 1994, 1995 by Digital Equipment Corporation. All rights reserved.
Printed in U.S.A.

The postage-paid READER'S COMMENTS form on the last page of this document requests your critical evaluation to assist us in preparing future documentation.

The following are trademarks of Digital Equipment Corporation :
DEC, DECdirect, DECnet, MicroVAX, ThinWire, VMS and the DIGITAL logo.



**ILLUSTRATED
PARTS
BREAKDOWN**

**MicroVAX 3100
Models 30/40/80/85/90/95/96**

ILLUSTRATED PARTS BREAKDOWN (IPB)

The IPB is used to identify a part and its location in a hardware product. The document references specific item numbers in the associated parts list.

HOW TO USE THE IPB

1. Locate the figure containing the item of interest.
2. Locate the number (callout) of the item of interest.
3. Locate that item number in the associated parts list.

FORMAT

Each IPB is generally organized based on its first figure. All other assemblies and subassemblies are referenced from this figure. Each figure contains numeric callouts of all major parts (items).

PARTS LIST

Each parts list contains the following:

Figure and Item No. – Lists the figure number and its referenced numeric callout

Description – Presents the name and a brief description of the item. A single asterisk (*) preceding the description denotes item is a

subassembly to its referenced figure. A double asterisk (**) preceding the description indicates that this item is subordinate to the preceding single asterisk item.

Digital Part No. – Lists the Digital/Vendor part number. The letter in the column heading indicates the current revision level of the Engineering Drawing for the referenced figure.

ECO Cut-In – Lists the top assembly drawing number and revision level at first printing. All additional revisions to an item are listed in this column.

Used On Code – Lists letters referring to the product variation assigned in Figure 1. When this column is blank, the item is used in all variations.

Ref Fig No. – Lists a cross reference between figures within the IPB.

PART NUMBER/PART DESCRIPTION INDEX SECTION

Lists items by part number numerically, and description alphabetically. Items are also referenced to a location within the IPB by figure and item number.

ECO/REVISION HISTORY

**OTHER
MANUALS
REFERENCED**

FIGURE NO.	ASSEMBLY	INITIAL LEVEL	CURRENT LEVEL	PRINTING DATE	OTHER MANUALS REFERENCED
1	450ZN	00000	00000	8-MAY-95	EK-A0519-MG EK-A0510-MG EK-A0511-MG
2	70-28535	00000	00000		
3	70-25726	00001	00002		
4	450ZM	00000	00002		
5	70-27106	00000	00000		
6	70-26167	00000	00001		
7	470ZM	00000	00001		
8	46ZBM	00000	00000		
9	47ZBM	00000	00000		
10	48ZBM	00000	00000		
11	49ZBM	00000	00000		

L

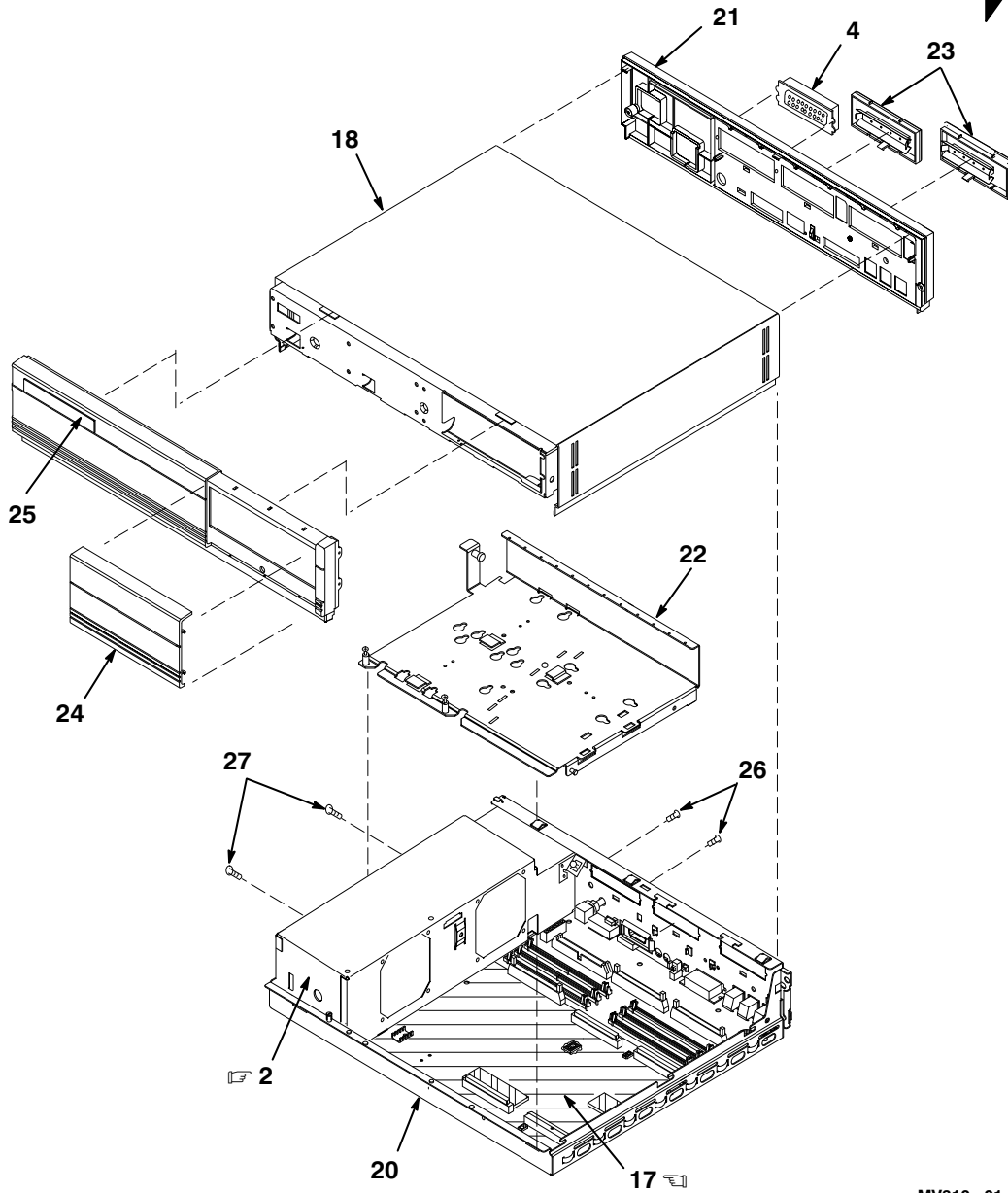
L

MicroVAX 3100
MODEL 30

L

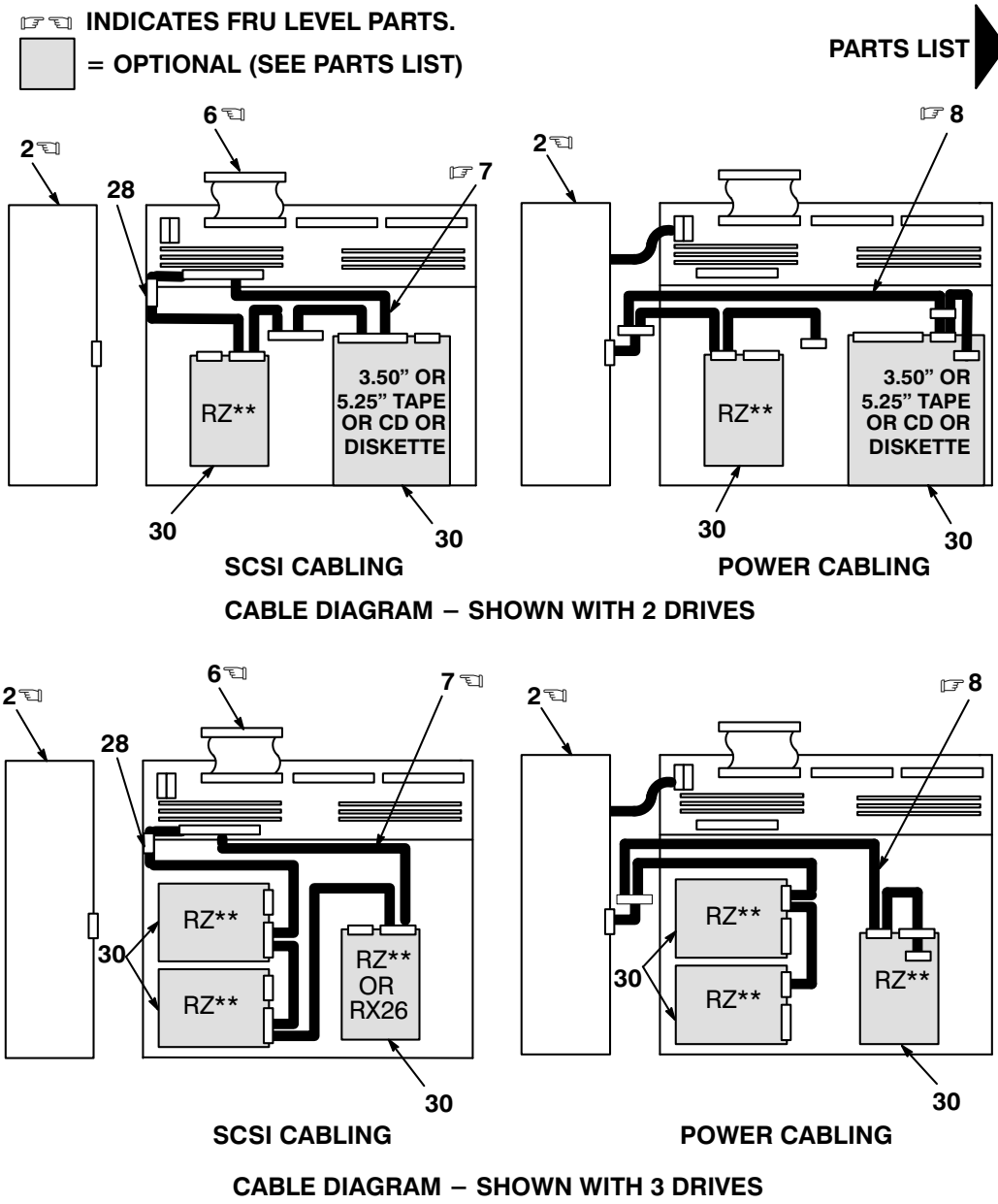
 INDICATES FRU LEVEL PARTS.

PARTS LIST 



MV310-01-IL

**Figure 1. MicroVAX 3100 Model 30 System Building Block,
KA45 CPU Kernel, BA42A Enclosure (Sheet 1 of 2)**



MV310-01A-IL

Figure 1. MicroVAX 3100 Model 30 System Building Block, KA45 CPU Kernel, BA42A Enclosure (Sheet 2 of 2)

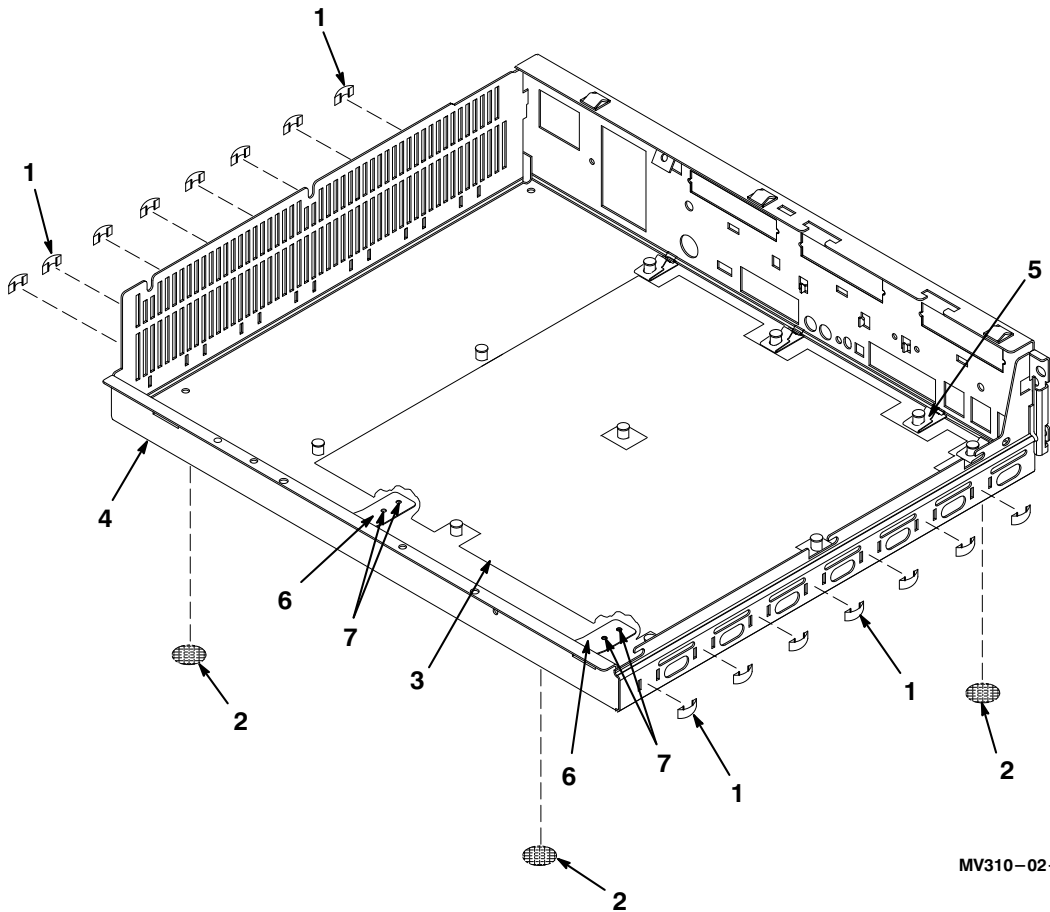
FIG. & ITEM NO.	DESCRIPTION	DIGITAL PART NO. ^A	ECO CUT-IN 450ZN 00000	USED ON CODE	REF FIG NO.
1-	MicroVAX MODEL 30 SYSTEM BUILDING BLOCK, KA45 CPU KERNEL, BA42A ENCLOSURE	450ZN-B9			
1	*Cable, 25 ft. Data (17-00811-03)	BC16E-25			
2	*Power Supply, 122W Auto Select 100V/120V 220V/240V	H7083-AA			
3	*Adapter, 25 Pin D-Sub to MMJ	H8575-A			
4	*Connector, SCSI Term 50 Position Champ HSG	12-30552-01			
5	*Ferrite, Bead 50 Conductor Cable	16-34255-02			
6	*Cable Assembly, Flat 50 Way SCSI	17-02944-01			
7	*Cable Assembly, Round SCSI 50 Way	17-03016-01			
8	*Cable Assembly, DC Harness	17-03017-01			
9	*Label, "Bar Code"	36-28231-07			
10	*Label, "Attention, Preinstalled Software"	36-28979-01			
11	*Label, "Regulatory USA/Canada"	36-30382-21			
11	*Label, "Regulatory UK"	36-30382-22			
12	*Label, "FTZ Postcard"	36-30422-05			
13	*Label, "Diagnostic VS42A"	36-30489-01			
14	*Label, "PTT Regulatory"	36-36015-01			
15	*Label, "Product ID"	36-36394-01			
16	*Package Assembly	37-01107-01			
17	*MODULE ASSEMBLY, SOC CPU	54-20654-01			
17A	**Battery, 3 Cell 3.75V .18 ma Nicad	12-19245-01			
18	*ENCLOSURE ASSEMBLY, TOP	70-25726-01			3
19	*KIT, Thick/ThinWire ETHERNET	70-26209-01			
19A	**Connector, 50 Ohms BNC Coax	12-26318-01			
19B	**Tee, BNC Coax	12-25869-01			
19C	**Connector, D-Sub 15 Position	12-22196-01			
20	*BASE ASSEMBLY	70-28535-01			2
21	*Bezel Assembly, Rear	70-28536-01			
22	*Shelf, Lower Drive Assembly	70-28537-01			
23	*Cover, FCC Blanking	70-28539-02			
24	*Insert, Blank Bezel FCC Shield	74-37499-02			
25	*Medallion, MicroVAX 3100-30	74-37642-20			
26	*Screw, Sems Pan Hd No. 4-40 x .375	90-09643-00			
27	*Screw, Sems Pan Hd No. 6-32 x .312	90-09984-07			
28	*Clamp, Cable SCSI Loop - Lower Shelf	90-11237-01			
	Note 1 : Items 1, 3, 5, 9-16, 19 and 29 are not shown.				



FIG. & ITEM NO.	DESCRIPTION	DIGITAL PART NO. ^A	ECO CUT-IN 450ZN 00000	USED ON CODE	REF FIG NO.
1- 29 30	<p>*Documentation, "Guide to Using VMS" *Drive Assemblies (See Note 2)</p> <p>Note 2 : Drives are not part of this assembly – shown for reference only. For more information on optional items, refer to the following MicroVAX 3100 Platform Maintenance Information manuals:</p> <p>Documentation, Options Manual Documentation, BA42–A Enclosure Maintenance Documentation, BA42–B Enclosure Maintenance</p>	<p>EK–A0377–UG N/A</p> <p>EK–A0519–MG EK–A0510–MG EK–A0511–MG</p>			



FIG. & ITEM NO.	DESCRIPTION	DIGITAL PART NO.	A ECO CUT-IN 70-28535 00000	USED ON CODE	REF FIG NO.
2-	BASE ASSEMBLY	70-28535-01			1
1	*Finger, Non-Snag Grounding (For EOS)	12-26922-01			
2	*Foot, Self Adhesive	12-35649-01			
3	*Sheet, CPU Insulation	12-39980-01			
4	*Base Detail, Model 30	74-42108-01			
5	*Gasket, CPU Grounding	74-42429-01			
6	*Cantilever, CPU Retention	74-42448-01			
7	*Rivet, Repetition Clinch .125 DIA	90-00052-01			

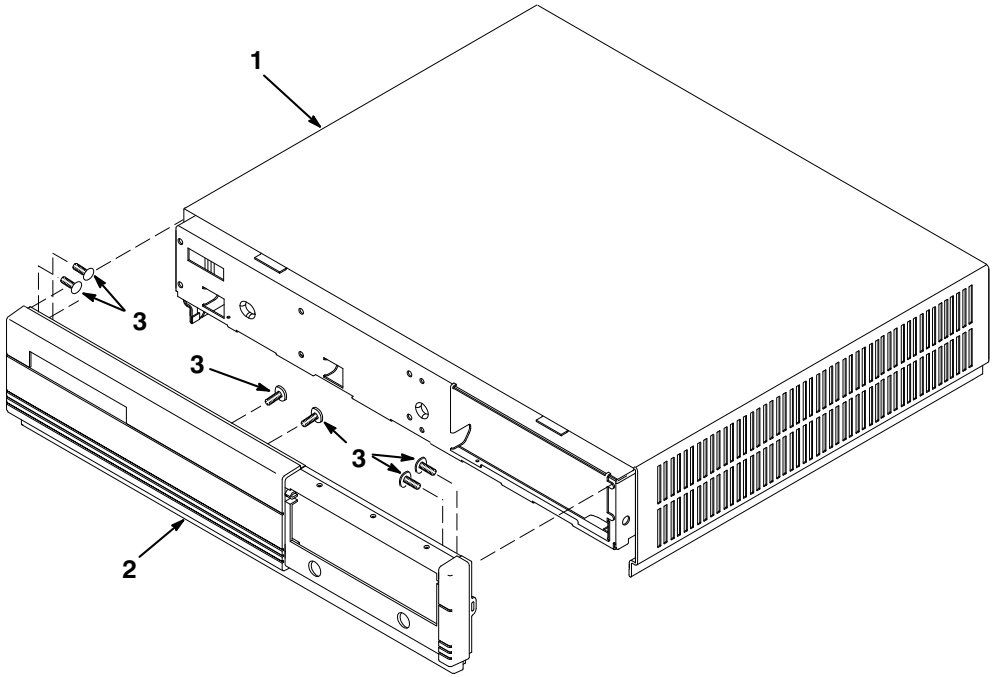


MV310-02-IL

Figure 2. Base Assembly



FIG. & ITEM NO.	DESCRIPTION	DIGITAL PART NO.	ECO CUT-IN 70-25726 00001	USED ON CODE	REF FIG NO.
3-	ENCLOSURE ASSEMBLY, TOP	70-25726-01			1
1	*Enclosure, Top (Weldment)	70-25786-01			
2	*Bezel Assembly, Front	70-25797-01			
3	*Screw, Self-Tap Flat Hd No. 4-20 x 3/16	90-10411-01			



MV310-03-IL

Figure 3. Enclosure Assembly, Top

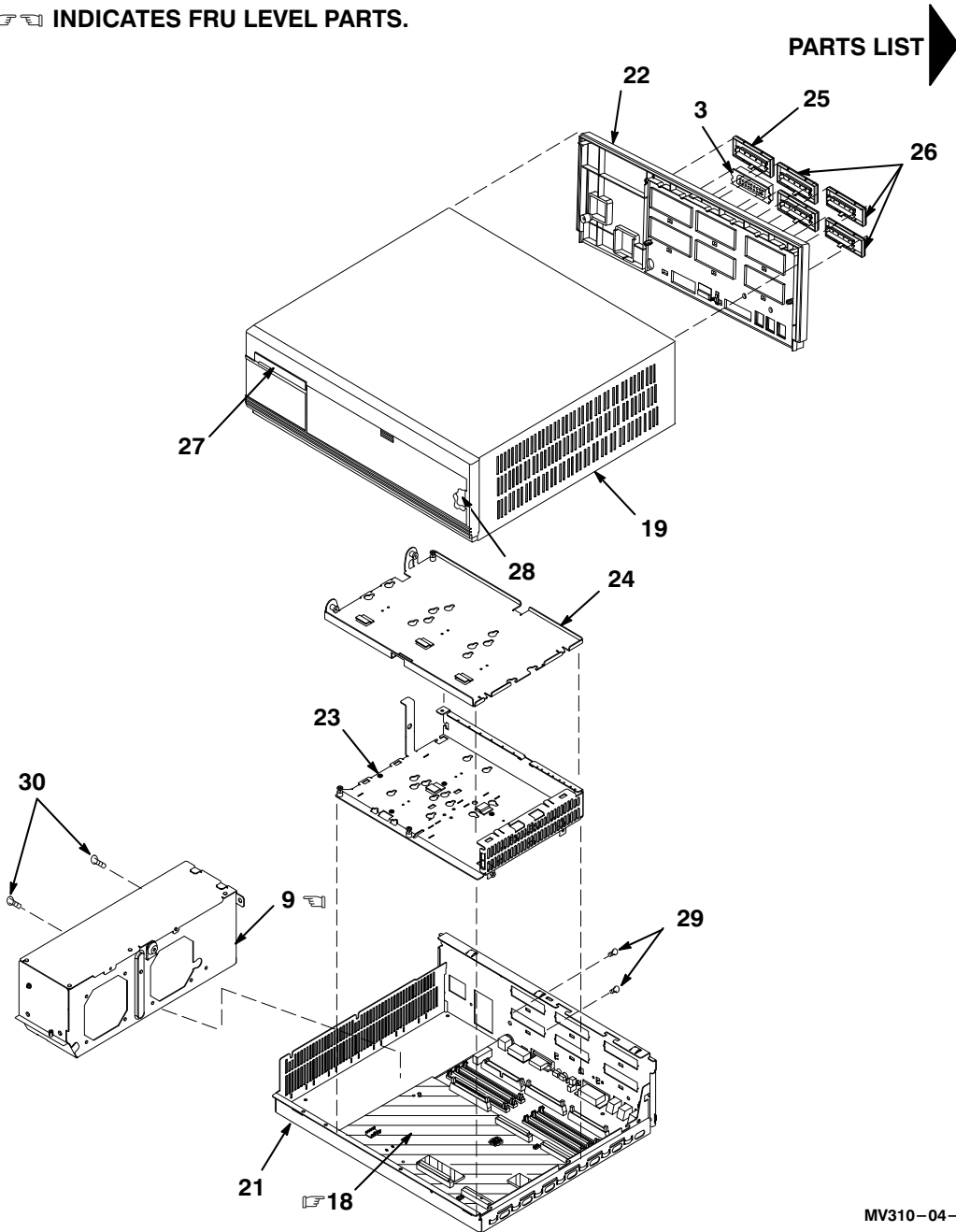
L

**MicroVAX 3100
MODEL 40**

L

INDICATES FRU LEVEL PARTS.

PARTS LIST



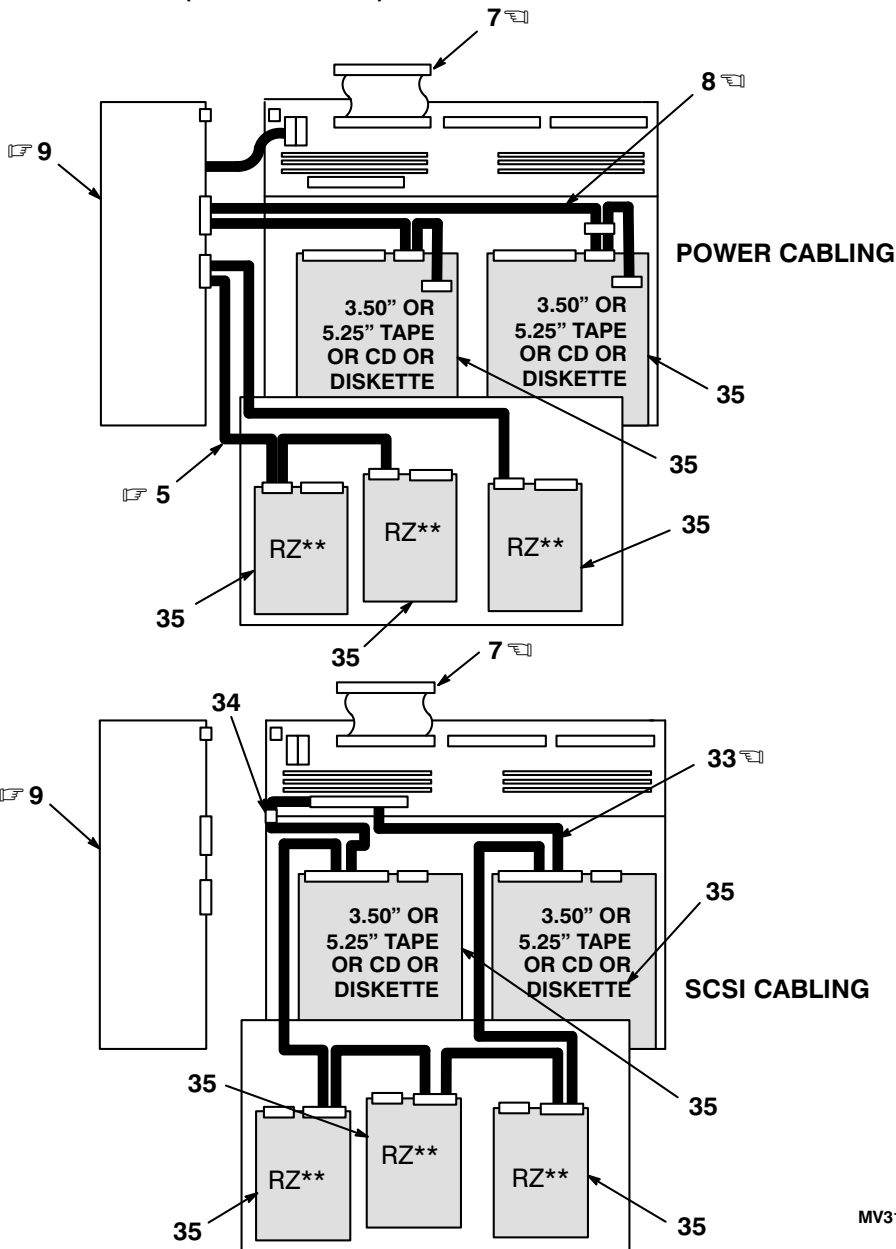
MV310-04-IL

Figure 4. MicroVAX 3100 Model 40 System Building Block, KA45 CPU Kernel, BA42B Enclosure (Sheet 1 of 2)

INDICATES FRU LEVEL PARTS.

OPTIONAL (SEE PART LIST)

PARTS LIST



MV310-04A-IL

Figure 4. MicroVAX 3100 Model 40 System Building Block, KA45 CPU Kernel, BA42B Enclosure (Sheet 2 of 2)

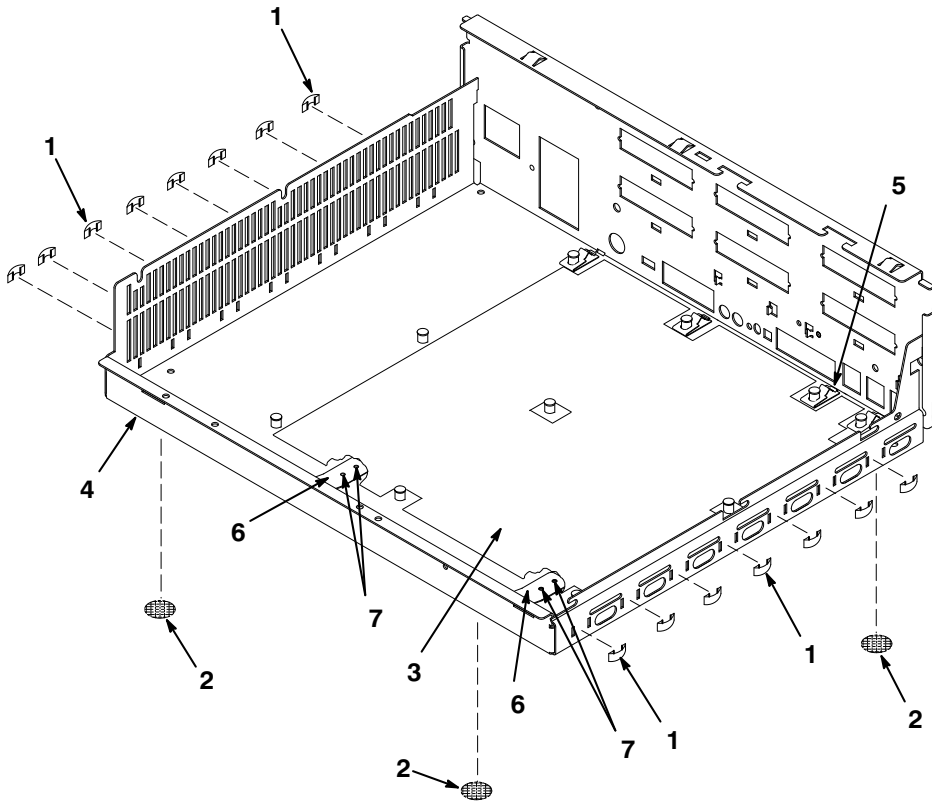
FIG. & ITEM NO.	DESCRIPTION	DIGITAL PART NO. ^c	ECO CUT-IN 450ZM 00000	USED ON CODE	REF FIG NO.
4-	MicroVAX 3100 MODEL 40 SYSTEM BUILDING BLOCK , KA45 CPU KERNEL, BA42B ENCLOSURE	450ZM-B9			
1	*Cable, Oval 25 ft. Data (17-00811-03)	BC16E-25			
2	*Adapter, 25 Pin D-Sub to MMJ	H8575-A			
3	*Connector, SCSI Term 50 Position Champ HSG	12-30552-01			
4	*Ferrite, Bead 50 Conductor Cable (added)	16-34255-02	00001		
☞ 5	*Harness Assembly, Wire	17-02219-01			
6	NOT USED				
☞ 7	*Cable Assembly, Flat 50 Way SCSI	17-02944-01			
☞ 8	*Cable Assembly, DC Harness	17-03018-01			
☞ 9	*Power Supply Assembly, 166 Watts 120V/240V	30-35042-01			
10	*Label, "Bar Code"	36-28231-07			
11	*Label, "Attention, Preinstalled Software"	36-28979-01			
12	*Label, "Regulatory Canada"	36-30382-23			
12	*Label, "Regulatory UK"	36-30382-24			
13	*Label, "FTZ Postcard"	36-30422-10			
14	*Label, "Diagnostic VS42A"	36-30489-01			
15	*Label, "PTT"	36-36015-02			
16	*Label, "Product ID"	36-36394-02			
17	*Package Assembly	37-01106-01			
☞ 18	*MODULE ASSEMBLY, SOC CPU	54-20654-01			
☞ 18A	**Battery, 3 Cell 3.75V .18 ma Nicad	12-19245-01			
19	*COVER ASSEMBLY	70-26167-01			6
20	*KIT, Thick/ThinWire ETHERNET **Connector, 50 Ohms BNC Coax **Tee, BNC Coaxial **Connector, D-Sub 15 Position	70-26209-01 12-26318-01 12-25869-01 12-22196-01			
21	*BASE ASSEMBLY	70-27106-01			5
22	*Bezel Assembly, Rear	70-27107-01			
23	*Shelf, Lower Drive Assembly	70-27108-01			
24	*Shelf, Upper Drive Assembly	70-27109-01			
25	*Cover, FCC Blanking Option	70-28539-01			
26	*Cover, FCC Blanking Comms	70-28539-02			
27	*Medallion, MicroVAX 3100-40	74-37642-21			
28	*Insert, Bezel	74-38027-01			
29	*Screw, Sems Pan Hd No 4-40 x 3/8	90-09643-00			
	Note 1: Items 1, 2, 4, 10-17, and item 20 are not shown.				



FIG. & ITEM NO.	DESCRIPTION	DIGITAL PART NO. ^c	ECO CUT-IN 450ZM 00000	USED ON CODE	REF FIG NO.
4-					
30	*Screw, Sems Pan Hd No. 6-32 x 5/16	90-09984-07			
31	NOT USED				
32	*Documentation, "Guide To Using VMS"	EK-A0377-UG			
33	*Cable, Flat, 50 Cond. (added) (replaces 17-02943-01) (See Note 2)	17-03588-01	00002		
34	*Clamp, Strain Relief Cable (added) (replaces 90-11237-01) (See Note 3)	90-11237-02	00002		
35	*Drive Assemblies (See Note 4)	N/A			
	Note 2: 17-02943-01 can be used as a substitute.				
	Note 3: 90-11237-01 can be used as a substitute.				
	Note 4: Drives are not part of this assembly and are shown for reference only. For more information on optional items, refer to the following MicroVAX 3100 Platform Maintenance Information manuals:				
	*Documentation, "Options Manual"	EK-A0519-MG			
	*Documentation, "BA42-A Enclosure Maint."	EK-A0510-MG			
	*Documentation, "BA42-B Enclosure Maint."	EK-A0511-MG			



FIG. & ITEM NO.	DESCRIPTION	DIGITAL PART NO. ^A	ECO CUT-IN 70-27106 00000	USED ON CODE	REF FIG NO.
5-	BASE ASSEMBLY	70-27106-01			4,7,8 9,10,11
1	*Finger, Non-Snag Grounding	12-26922-01			
2	*Foot, Self Adhesive	12-35649-01			
3	*Sheet, CPU Insulation	12-39980-01			
4	*Base Detail, Model 40/80	74-41871-01			
5	*Gasket, CPU Grounding	74-42429-01			
6	*Cantilever, CPU Retention	74-42448-01			
7	*Rivet, Repetition Clinch .125	90-00052-01			

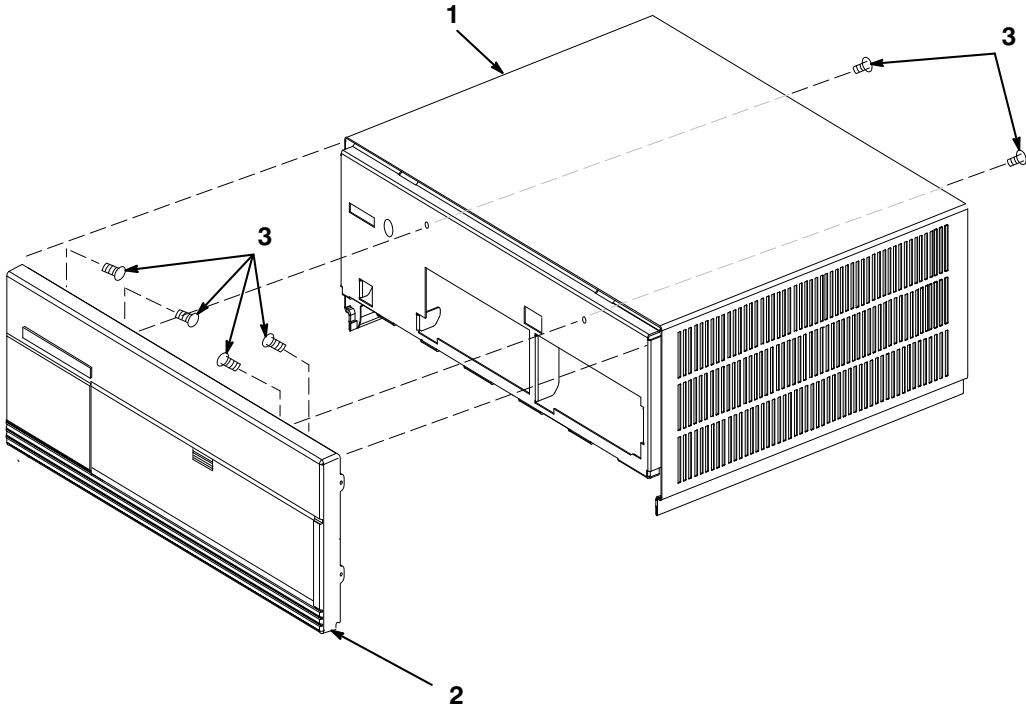


MV310-05-IL

Figure 5. Base Assembly



FIG. & ITEM NO.	DESCRIPTION	DIGITAL PART NO.	ECO CUT-IN 70-26167 00000	USED ON CODE	REF FIG NO.
6-	COVER ASSEMBLY	70-26167-01			4,7,8 9,10,11
1	*Cover (Weldment)	70-26169-01			
2	*Bezel Assembly, Front	70-26168-01			
3	*Screw, Self-Tap Flat Hd No. 4-20 x 3/16	90-10411-01			



MV310-06-IL

Figure 6. Cover Assembly

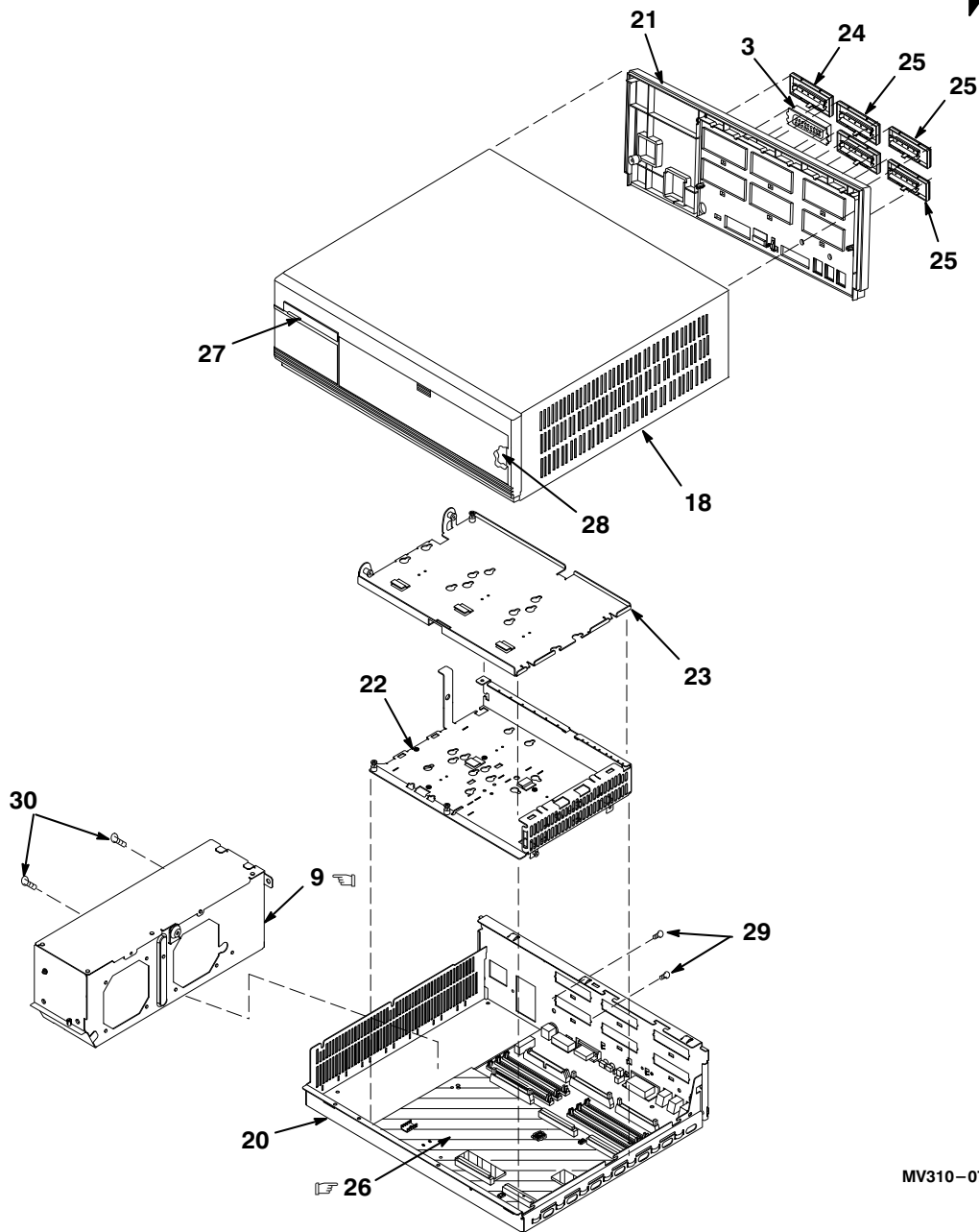
L

MicroVAX 3100
MODEL 80

L



 INDICATES FRU LEVEL PARTS.

PARTS LIST 

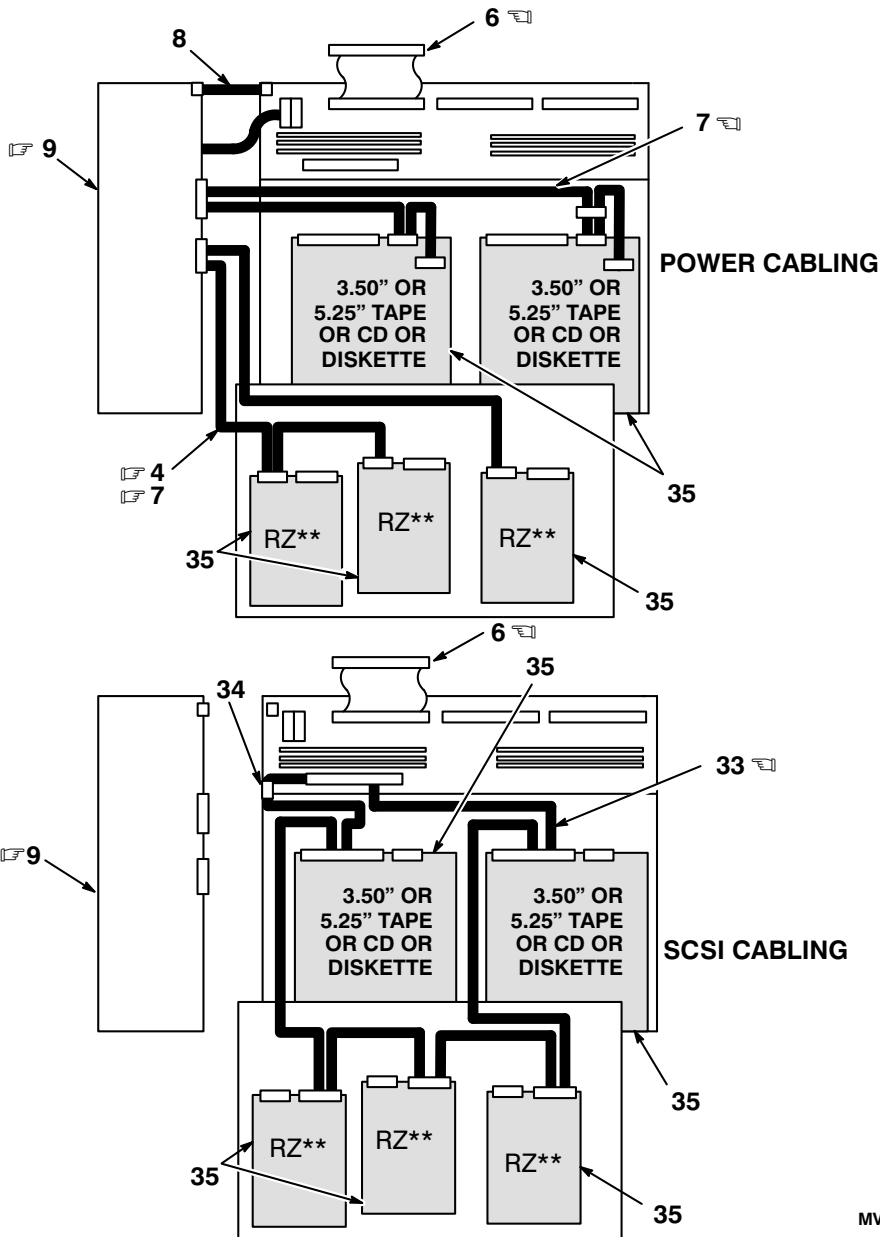


MV310-07-IL

**Figure 7. MicroVAX 3100 Model 80 System Building Block,
KA47 MAR CPU Kernel, BA42B Enclosure (Sheet 1 of 2)**

 INDICATES FRU LEVEL PARTS.
 = OPTIONAL (SEE PART LIST)

PARTS LIST 



MV310-07A-IL

**Figure 7. MicroVAX 3100 Model 80 System Building Block,
 KA47 MAR CPU Kernel, BA42B Enclosure (Sheet 2 of 2)**



FIG. & ITEM NO.	DESCRIPTION	DIGITAL PART NO.	ECO CUT-IN 470ZM 00000	USED ON CODE	REF FIG NO.
7-	MicroVAX 3100 MODEL 80, SYSTEM BUILDING BLOCK, KA47 MAR CPU KERNEL, BA42B ENCLOSURE	470ZM-B9			
1	*Cable, Oval 25 ft. Data BC16E-25 (Not Shown)	17-00811-03			
2	*Adapter, 25 Pin D-Sub to MMJ (Not Shown)	H8575-A			
3	*Connector, SCSI Term 50 Position Champ HSG	12-30552-01			
4	*Harness Assembly, Wire	17-02219-01			
5	NOT USED		00001		
6	*Cable Assembly, Flat 50 Way SCSI	17-02944-01			
7	*Cable Assembly, DC Harness	17-03018-01			
8	*Cable Assembly, Harness 3.3V	17-03136-01			
9	*Power Supply Assembly, 166 Watts 120V/240V	30-35042-01			
10	*Label, "PTT"	36-36015-02			
11	*Label, "Bar Code"	36-28231-07			
12	*Label, "Attention, Preinstalled Software"	36-28979-01			
13	*Label, "Regulatory Canada"	36-30382-23			
13	*Label, "Regulatory UK"	36-30382-24			
14	*Label, "FTZ Postcard"	36-30422-10			
15	*Label, "Diagnostic VS42A"	36-30489-01			
16	*Label, "Product ID"	36-36394-02			
17	*Package Assembly	37-01106-01			
18	*COVER ASSEMBLY	70-26167-01			6
19	*KIT, Thick/ThinWire ETHERNET (Not Shown)	70-26209-01			
19A	**Connector, 50 Ohms BNC Coax	12-26318-01			
19B	**Tee, BNC Coaxial	12-25869-01			
19C	**Connector, D-Sub 15 Position	12-22196-01			
20	*BASE ASSEMBLY	70-27106-01			5
21	*Bezel Assembly, Rear	70-27107-01			
22	*Shelf, Lower Drive Assembly	70-27108-01			
23	*Shelf, Upper Drive Assembly	70-27109-01			
24	*Cover, FCC Blanking Option	70-28539-01			
25	*Cover, FCC Blanking Comms	70-28539-02			
	Note 1: Items 1,2 10-17, 19 and 32 are not shown.				



FIG. & ITEM NO.	DESCRIPTION	DIGITAL PART NO. ^B	ECO CUT-IN 470ZM 00000	USED ON CODE	REF FIG NO.
7-					
☞ 26	*MODULE ASSEMBLY, CPU 8MB MEMORY	70-29670-01			
☞ 26A	**Module, ECMB Parity Memory Option	MS44L-AA			
☞ 26B	**Module, CPU Assembly	54-20652-01			
☞ 26C	**Battery, 3 Cell 3.75V .18ma Nicad	12-19245-01			
27	*Medallion, MicroVAX 3100-80	74-37642-22			
28	*Insert, Bezel	74-38027-01			
29	*Screw, Sems Pan Hd No 4-40 x 3/8	90-09643-00			
30	*Screw, Sems Pan Hd No. 6-32 x 5/16	90-09984-07			
31	NOT USED		00001		
32	*Documentation, "Guide To Using VMS" (Not Shown)	EK-A0377-UG			
☞ 33	*Cable Assembly, Flat, 50 Cond. (added - replaces 17-02943-01)	17-03588-01	00001		
34	*Clamp, Strain Relief Cable (added - replaces 90-11237-01)	90-11237-02	00001		
35	*Drive Assemblies (See Note 2)	N/A			
	<p>Note 2: Drives are not part of this assembly and are shown for reference only. For more information on optional items, refer to the following MicroVAX 3100 Platform Maintenance Information manuals:</p>				
	Documentation, Options Manual	EK-A0519-MG			
	Documentation, BA42-A Enclosure Maintenance	EK-A0510-MG			
	Documentation, BA42-B Enclosure Maintenance	EK-A0511-MG			

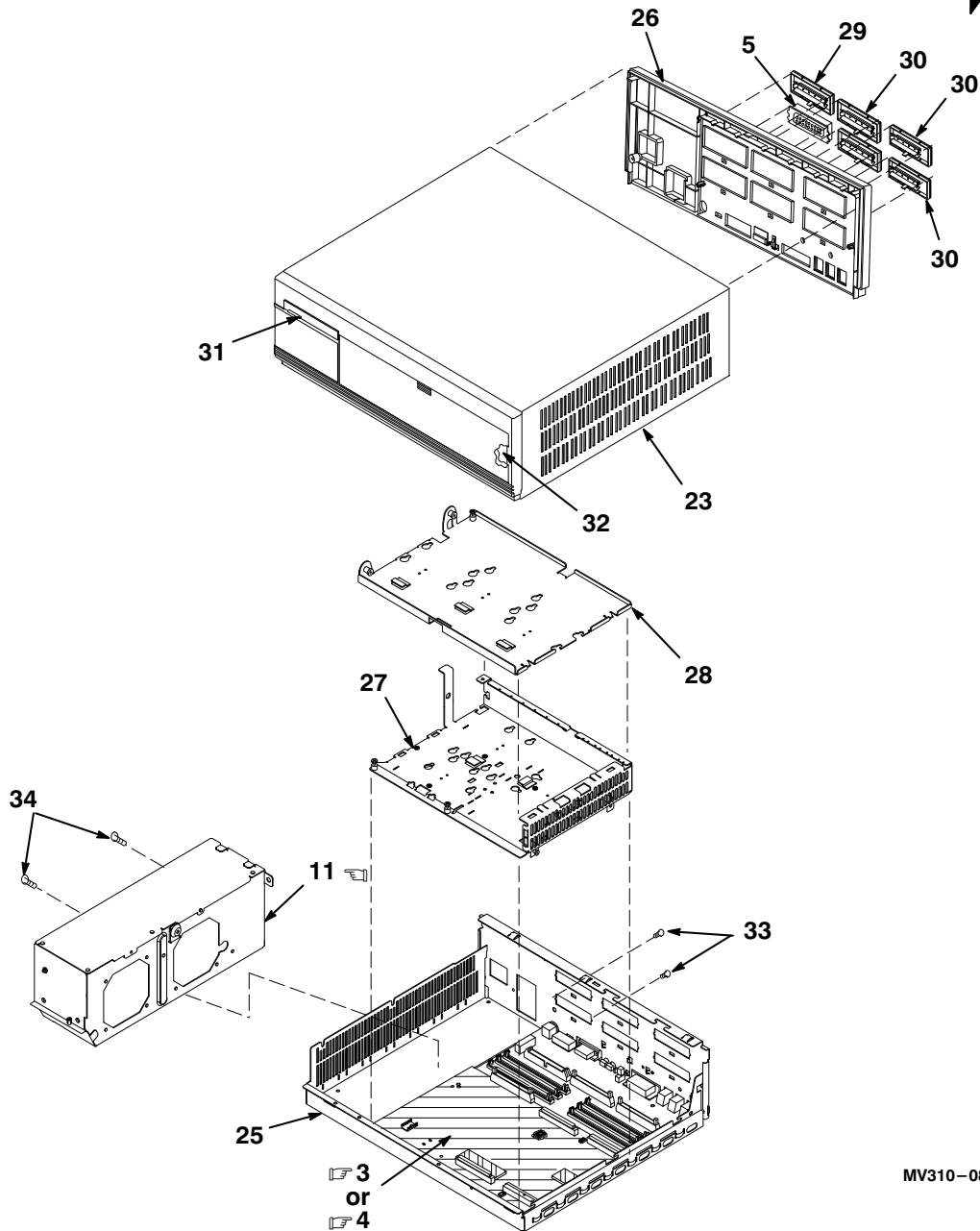
L

MicroVAX 3100
MODEL 85

L

 INDICATES FRU LEVEL PARTS.

PARTS LIST 



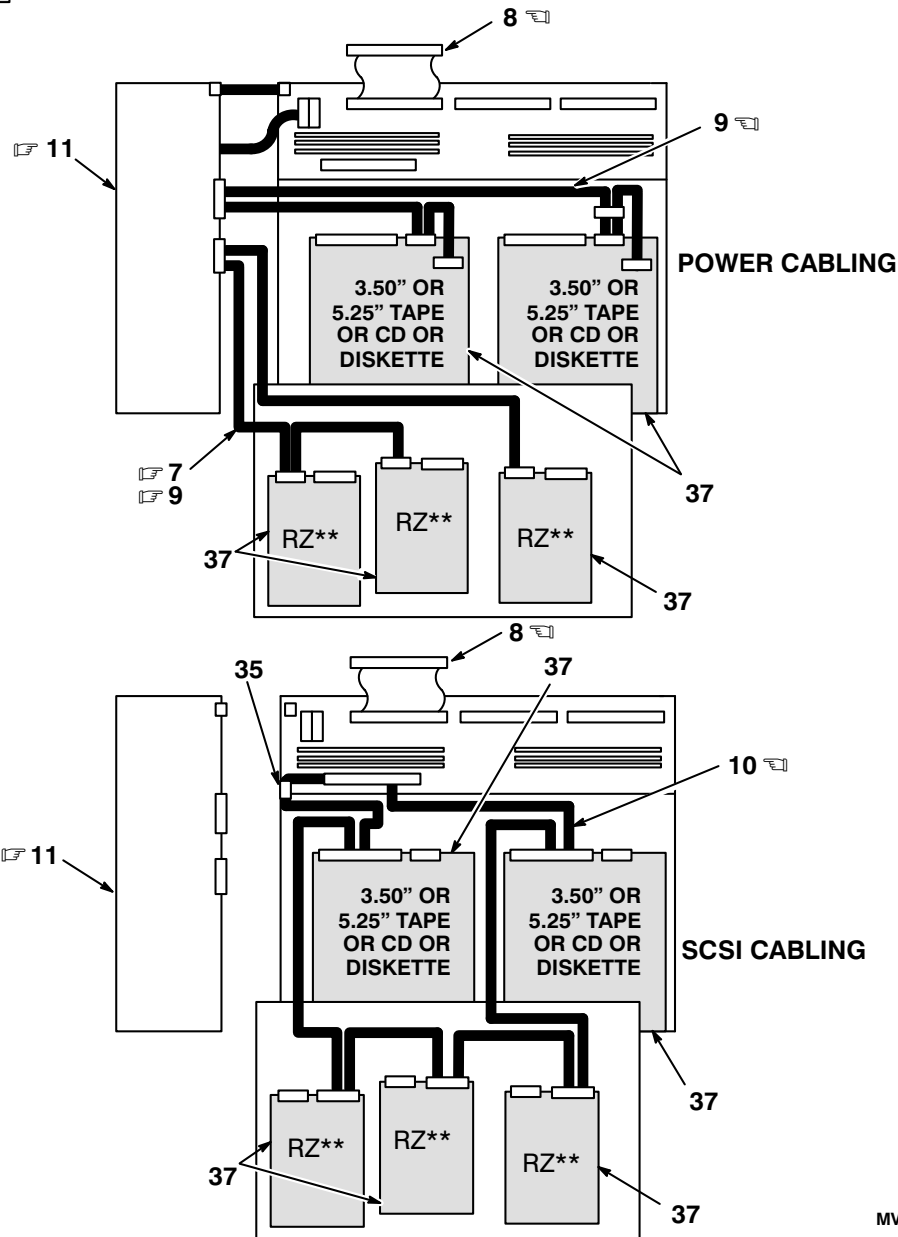
MV310-08-IL

Figure 8. MicroVAX 3100 Model 85 System Building Block, KA55 CPU Kernel, BA42B Enclosure (Sheet 1 of 2)

INDICATES FRU LEVEL PARTS.

OPTIONAL (SEE PART LIST)

PARTS LIST



MV310-08A-IL

Figure 8. MicroVAX 3100 Model 85 System Building Block, KA55 CPU Kernel, BA42B Enclosure (Sheet 2 of 2)



FIG. & ITEM NO.	DESCRIPTION	DIGITAL PART NO. ^A	ECO CUT-IN 46ZBM 00000	USED ON CODE	REF FIG NO.
8-	MicroVAX 3100 MODEL 85 SYSTEM BUILDING BLOCK, KA55 CPU KERNEL, BA42B ENCLOSURE, 16 MB	46ZBM-A9		A	
	MicroVAX MODEL 85 - SYSTEM BUILDING BLOCK, KA55 CPU KERNEL, BA42B ENCLOSURE, 64 MB	46ZBM-B9		B	
1	*Cable, Oval 25 ft. Data (17-00811-03) (Not Shown)	BC16E-25			
2	*Adapter, 25 Pin D-Sub to MMJ (Not Shown)	H8575-A			
3	*Module, ECC Memory, 64 MB	MS44-DC		B	
4	*Module, ECC Memory, 16 MB	MS44L-BC		A	
5	*Connector, SCSI Term 50 Position Champ HSG	12-30552-01			
6	*Cord, Power Term SVT 125 V	17-00606-02			
7	*Harness Assembly, Wire	17-02219-01			
8	*Cable Assembly, Flat 50 Way SCSI	17-02944-01			
9	*Cable Assembly, DC Harness MHO/80 WAV	17-03018-01			
10	*Cable Assembly, Flat, 50 Cond.	17-03588-01			
11	*Power Supply Assembly, 166 Watts, 120V/240V	30-35042-01			
12	*Label, "Attention, Preinstalled Software"	36-28979-01			
13	*Label, "Regulatory Canada"	36-30382-23			
14	*Label, "Regulatory UK"	36-30382-24			
15	*Label, "FTZ Postcard"	36-30422-10			
16	*Label, "Diagnostic VS42A"	36-30489-01			
17	*Label, "VAX 4000-1XXA, PTT Regulation"	36-36015-03			
18	*Label, "Product ID"	36-36394-02			
19	*Label, "CE Mark"	36-36842-01			
20	*Label, "OPA"	36-39380-01			
21	*Package Assembly	37-01106-08			
22	*Module, NVAX CPU, 128K Cache, 16NS, SCSI	54-21797-04			
23	*COVER ASSEMBLY	70-26167-01			6
24	*KIT, Thick/ThinWire ETHERNET (Not Shown)	70-26209-01			
24A	**Connector, 50 Ohms BNC Coax	12-26318-01			
24B	**Tee, BNC Coaxial	12-25869-01			
24C	**Connector, D-Sub 15 Position	12-22196-01			
	Note 1: Items 1, 2, 6, 12-21, and 36 are not shown,				



FIG. & ITEM NO.	DESCRIPTION	DIGITAL PART NO. ^A	ECO CUT-IN 46ZBM 00000	USED ON CODE	REF FIG NO.
8-					
25	*BASE ASSEMBLY, M40	70-27106-01			5
26	*Bezel Assembly, Rear	70-27107-01			
27	*Shelf, Lower Drive Assembly	70-27108-01			
28	*Shelf, Upper Drive Assembly	70-27109-01			
29	*Cover, FCC Blanking Option	70-28539-01			
30	*Cover, FCC Blanking Comms	70-28539-02			
31	*Medallion, MicroVAX 3100-85	74-37642-33			
32	*Insert, Bezel	74-38027-01			
33	*Screw, Sems Pan Hd No 4-40 x .375 XRCS	90-09643-00			
34	*Screw, Sems Pan Hd No. 6-32 x .312 XRCS	90-09984-07			
35	*Clamp, Strain Relief Cable (See Note 2)	90-11237-02			
36	*Bag, Poly Reclose	99-06557-30			
37	*Drive Assemblies (See Note 3)	N/A			
	Note 2: 90-11237-01 can be used as a substitute.				
	Note 3: Drives are not part of this assembly and are shown for reference only. For more information on optional items, refer to the following MicroVAX 3100 Platform Maintenance Information manuals:				
	Documentation, Options Manual	EK-A0519-MG			
	Documentation, BA42-A Enclosure Maintenance	EK-A0510-MG			
	Documentation, BA42-B Enclosure Maintenance	EK-A0511-MG			

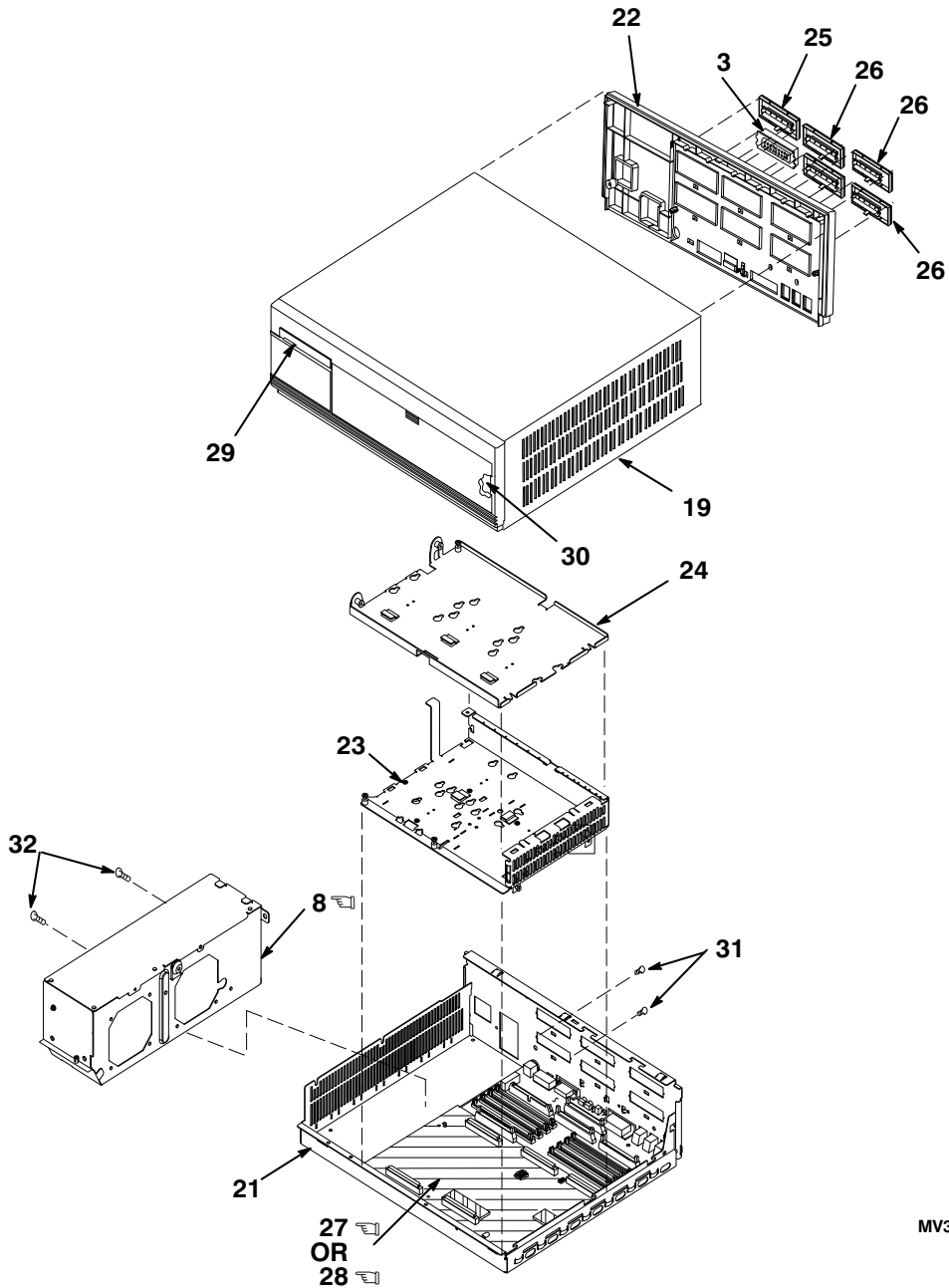
L

MicroVAX 3100
MODEL 90

L

INDICATES FRU LEVEL PARTS.

PARTS LIST



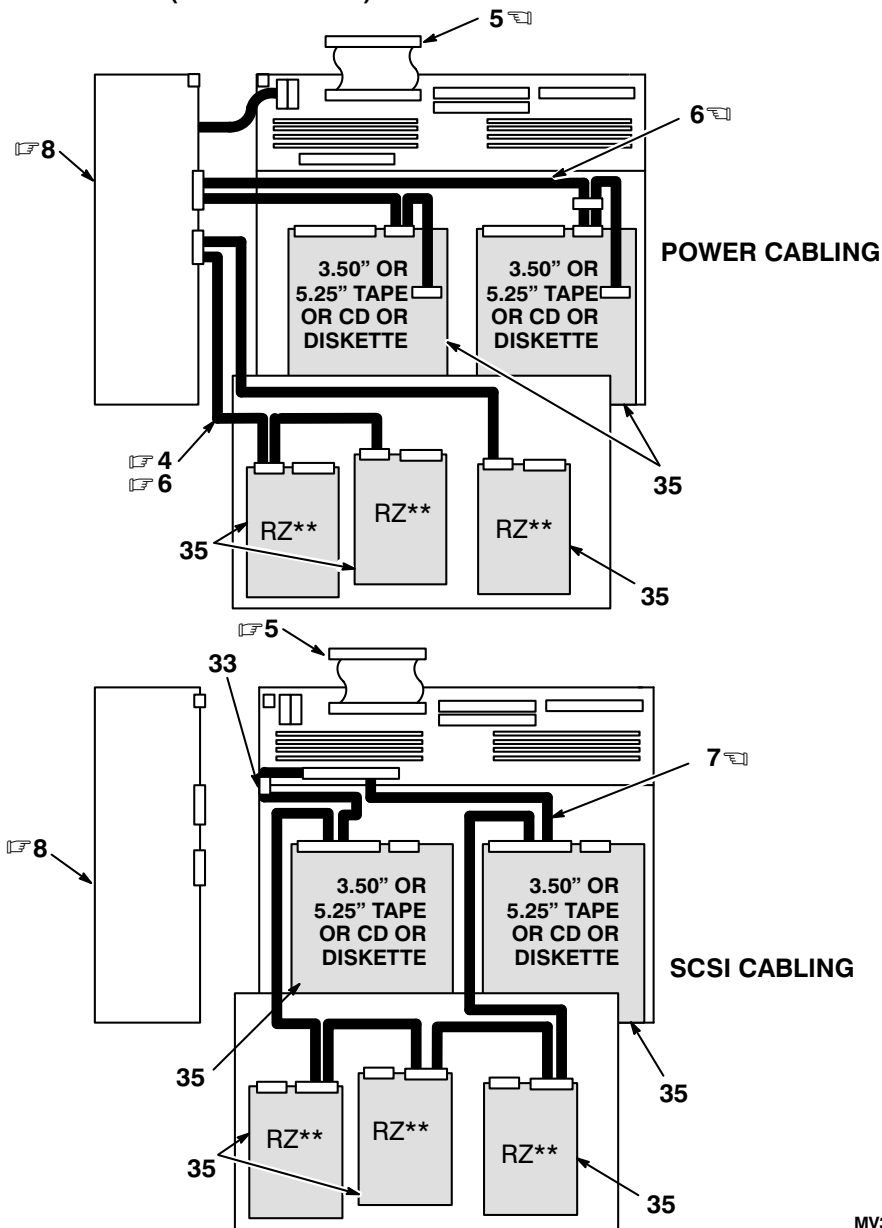
MV310-09-IL

Figure 9. MicroVAX 3100 Model 90 System Building Block, KA50 NVAX CPU Kernel, BA42B Enclosure (Sheet 1 of 2)

INDICATES FRU LEVEL PARTS.

OPTIONAL (SEE PART LIST)

PARTS LIST



MV310-09A-IL

Figure 9. MicroVAX 3100 Model 90 System Building Block, KA50 NVAX CPU Kernel, BA42B Enclosure (Sheet 2 of 2)



FIG. & ITEM NO.	DESCRIPTION	DIGITAL PART NO. ^A	ECO CUT-IN 47ZBM 00000	USED ON CODE	REF FIG NO.
9-	MicroVAX 3100 Model 90 SYSTEM BUILDING BLOCK, KA50 NVAX CPU KERNEL, BA42B ENCLOSURE, 16 MB	47ZBM-A9		A	
	MicroVAX 3100 Model 90 SYSTEM BUILDING BLOCK, KA50 NVAX CPU KERNEL, BA42B ENCLOSURE, 64 MB	47ZBM-B9		B	
1	*Cable, Oval 25 ft. Data 6 Conductor (17-00811-03) (Not Shown)	BC16E-25			
2	*Adapter, 25 Pin D-Sub to MMJ (Not Shown)	H8575-A			
3	*Connector, SCSI Term 50 Position Champ HSG	12-30552-01			
4	*Harness Assembly, Wire	17-02219-01			
5	*Cable Assembly, Flat 50 Way SCSI	17-02944-01			
6	*Cable Assembly, DC Harness	17-03018-01			
7	*Cable Assembly, Flat, 50 Cond.	17-03588-01			
8	*Power Supply Assembly, 166 Watts 120V/240V	30-35042-01			
9	*Label, "Bar Code"	36-28231-07			
10	*Label, "Attention, Preinstalled Software"	36-28979-01			
11	*Label, "Regulatory Canada"	36-30382-23			
11	*Label, "Regulatory UK"	36-30382-24			
12	*Label, "FTZ Postcard"	36-30422-10			
13	*Label, "Diagnostic VS42A"	36-30489-01			
14	*Label, "PTT"	36-36015-02			
15	*Label, "Product ID" BA42-B	36-36394-02			
16	*Label, "CE"	36-36842-01			
17	*Label, "OPA"	36-39380-01			
18	*Package Assembly	37-01106-01			
19	*COVER ASSEMBLY	70-26167-01			6
20	*KIT, Thick/ThinWire ETHERNET	70-26209-01			
20A	**Connector, 50 Ohms BNC Coax	12-26318-01			
20B	**Tee, BNC Coaxial	12-25869-01			
20C	**Connector, D-Sub 15 Position	12-22196-01			
21	*BASE ASSEMBLY	70-27106-01			5
22	*Bezel Assembly, Rear	70-27107-01			
23	*Shelf, Lower Drive Assembly	70-27108-01			
24	*Shelf, Upper Drive Assembly	70-27109-01			
25	*Cover, FCC Blanking Option	70-28539-01			
26	*Cover, FCC Blanking Comms	70-28539-02			
	Note 1: Items 1, 2, 9-18, 20 and 34 are not shown.				



FIG. & ITEM NO.	DESCRIPTION	DIGITAL PART NO. ^A	ECO CUT-IN 47ZBM 00000	USED ON CODE	REF FIG NO.
9-					
☞ 27	*MODULE ASSEMBLY, CPU 16 MB MEMORY	70-29672-01		A	
☞ 27A	**Module, (4) ECMB Parity Memory Option	MS44L-AA			
☞ 27B	**Module, CPU Assembly	54-21797-01			
☞ 27C	**Battery, 3 Cell 3.75V .18 ma Nicad	12-19245-01			
28	*MODULE ASSEMBLY, CPU 64 MB MEMORY	70-29672-02		B	
☞ 28A	**Module, (4) ECMB Parity Memory Option	MS44-CA			
☞ 28B	**Module, CPU Assembly	54-21797-01			
☞ 28C	**Battery, 3 Cell 3.75V .18 ma Nicad	12-19245-01			
29	*Medallion, MicroVAX 3100-90	74-37642-27			
30	*Insert, Bezel	74-38027-01			
31	*Screw, Sems Pan Hd No 4-40 x 3/8	90-09643-00			
32	*Screw, Sems Pan Hd No. 6-32 x 5/16	90-09984-07			
33	*Clamp, Cable SCSI Loop (See Note 2)	90-11237-01			
34	*Documentation, "Guide To Using VMS"	EK-A0377-UG			
35	Drive Assemblies (See Note 3)	N/A			
	Note 2: Use only with alternate cable, part number 17-02943-01.				
	Note 3: Drives are not part of this assembly and are shown for reference only. For more information on optional items, refer to the following MicroVAX 3100 Platform Maintenance Information manuals:				
	Documentation, Options Manual	EK-A0519-MG			
	Documentation, BA42-B Enclosure Maintenance	EK-A0511-MG			

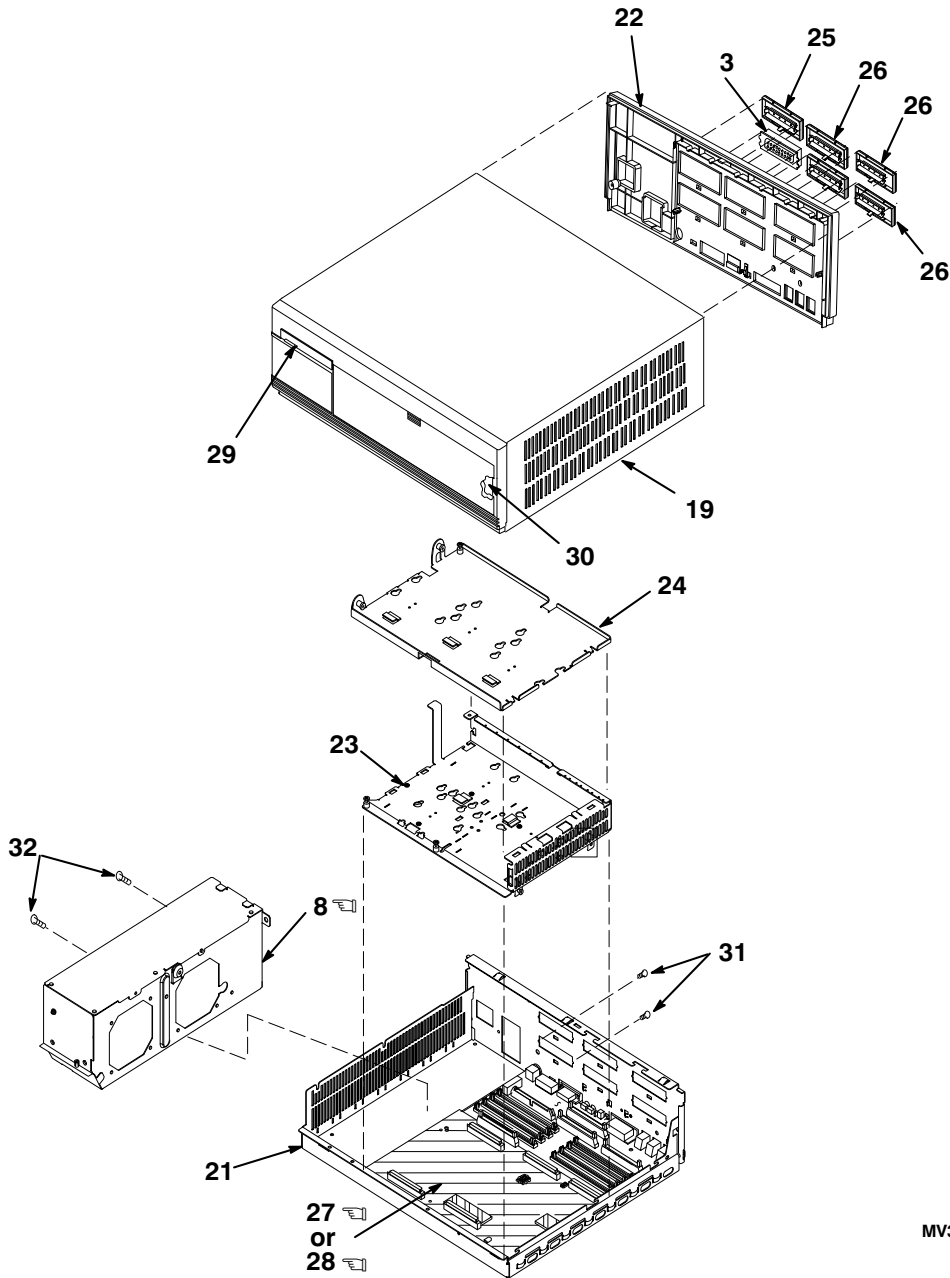
L

MicroVAX 3100
MODEL 95

L

INDICATES FRU LEVEL PARTS.

PARTS LIST



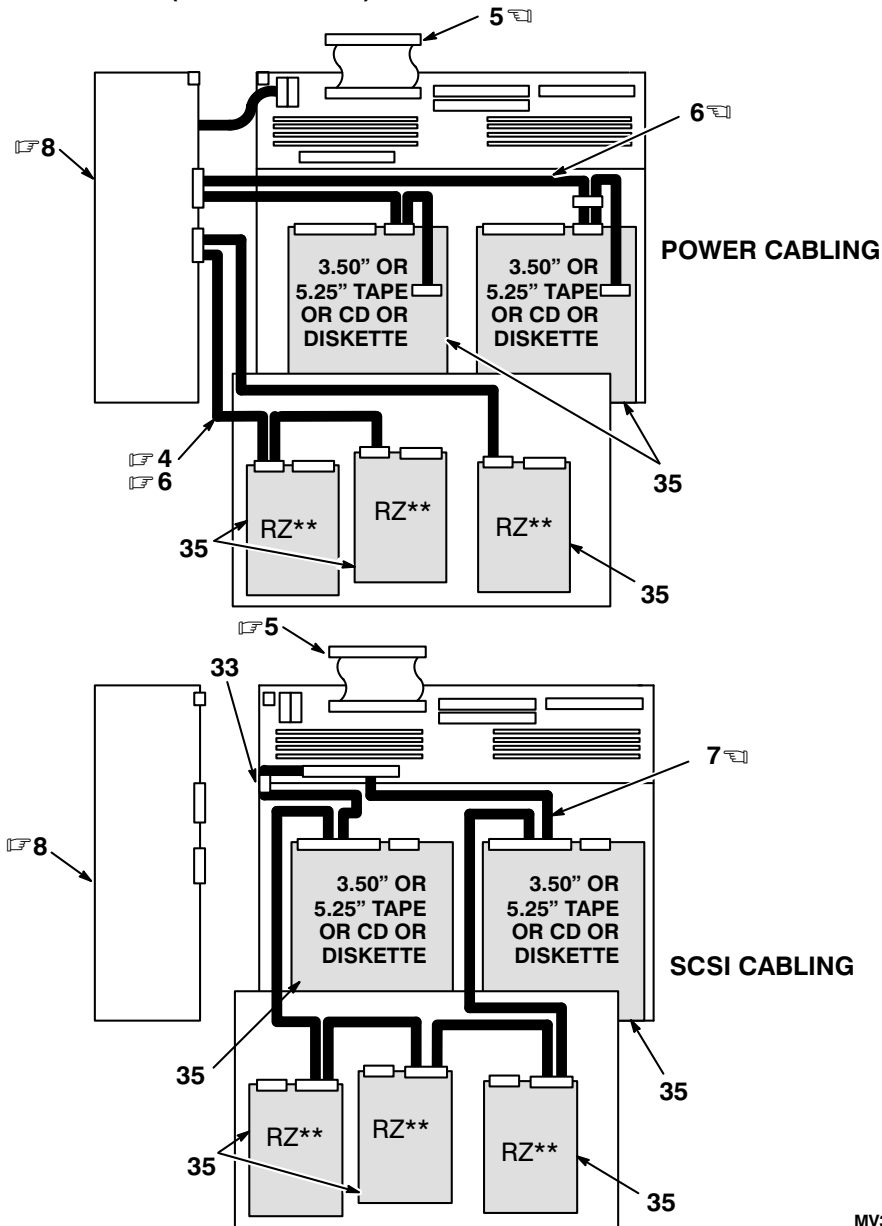
MV310-10-IL

Figure 10. MicroVAX 3100 Model 95 System Building Block, KA51 NVAX CPU Kernel, BA42B Enclosure (Sheet 1 of 2)

INDICATES FRU LEVEL PARTS.

OPTIONAL (SEE PART LIST)

PARTS LIST



MV310-10A-IL

Figure 10. MicroVAX 3100 Model 95 System Building Block, KA51 NVAX CPU Kernel, BA42B Enclosure (Sheet 2 of 2)

FIG. & ITEM NO.	DESCRIPTION	DIGITAL PART NO. ^A	ECO CUT-IN 48ZBM 00000	USED ON CODE	REF FIG NO.
10-	MicroVAX 3100 MODEL 95, SYSTEM BUILDING BLOCK, KA51 NVAX CPU KERNEL, BA42B ENCLOSURE, 16 MB	48ZBM-C9		A	
	MicroVAX 3100 MODEL 95, SYSTEM BUILDING BLOCK, KA51 NVAX CPU KERNEL, BA42B ENCLOSURE, 64 MB	48ZBM-D9		B	
1	*Cable, Oval 25 ft. Data (17-00811-03) 6 Conductor (Not Shown)	BC16E-25			
2	*Adapter, 25 Pin D-Sub to MMJ (Not Shown)	H8575-A			
3	*Connector, SCSI Term 50 Position Champ HSG	12-30552-01			
4	*Harness Assembly, Wire	17-02219-01			
5	*Cable Assembly, Flat 50 Way SCSI	17-02944-01			
6	*Cable Assembly, DC Harness	17-03018-01			
7	*Cable Assembly, Flat, 50 Cond.	17-03588-01			
8	*Power Supply Assembly, 166 Watts 120V/240V	30-35042-01			
9	*Label, "Bar Code"	36-28231-07			
10	*Label, "Attention, Preinstalled Software"	36-28979-01			
11	*Label, "Regulatory Canada"	36-30382-23			
11	*Label, "Regulatory UK"	36-30382-24			
12	*Label, "FTZ Postcard"	36-30422-10			
13	*Label, "Diagnostic VS42A"	36-30489-01			
14	*Label, "PTT"	36-36015-02			
15	*Label, "Product ID" BA42-B"	36-36394-02			
16	*Label, "CE"	36-36842-01			
17	*Label, "OPA"	36-39380-01			
18	*Package Assembly	37-01106-01			
19	*COVER ASSEMBLY	70-26167-01			6
20	*KIT, Thick/ThinWire ETHERNET	70-26209-01			
20A	**Connector, 50 Ohms BNC Coax	12-26318-01			
20B	**Tee, BNC Coaxial	12-25869-01			
20C	**Connector, D-Sub 15 Position	12-22196-01			
21	*BASE ASSEMBLY	70-27106-01			5
22	*Bezel Assembly, Rear	70-27107-01			
23	*Shelf, Lower Drive Assembly	70-27108-01			
24	*Shelf, Upper Drive Assembly	70-27109-01			
25	*Cover, FCC Blanking Option	70-28539-01			
26	*Cover, FCC Blanking Comms	70-28539-02			
	Note 1: Items 1, 2, 9-18, 20 and 34 are not shown.				



FIG. & ITEM NO.	DESCRIPTION	DIGITAL PART NO. ^A	ECO CUT-IN 48ZBM 00000	USED ON CODE	REF FIG NO.
10-					
☞ 27	*MODULE ASSEMBLY, CPU 16 MB MEMORY	70-29672-03		A	
☞ 27A	**Module, (4) ECMB Parity Memory Option	MS44L-AA			
☞ 27B	**Module, CPU Assembly	54-21797-01			
☞ 27C	**Battery, 3 Cell 3.75V .18 ma Nicad	12-19245-01			
☞ 28	*MODULE ASSEMBLY, CPU 64 MB MEMORY	70-29672-04		B	
☞ 28A	**Module, (4) ECMB Parity Memory Option	MS44-CA			
☞ 28B	**Module, CPU Assembly	54-21797-01			
☞ 28C	**Battery, 3 Cell 3.75V .18 ma Nicad	12-19245-01			
29	*Medallion, MicroVAX 3100-95	74-37642-30			
30	*Insert, Bezel	74-38027-01			
31	*Screw, Sems Pan Hd No 4-40 x 3/8	90-09643-00			
32	*Screw, Sems Pan Hd No. 6-32 x 5/16	90-09984-07			
33	*Clamp, Cable SCSI Loop (See Note 2)	90-11237-01			
34	*Documentation, "Guide To Using VMS"	EK-A0377-UG			
35	Drive Assemblies (See Note 3)	N/A			
	Note 2: Use only with alternate cable, part number 17-02943-01.				
	Note 3: Drives are not part of this assembly and are shown for reference only. For more information on optional items, refer to the following MicroVAX 3100 Platform Maintenance Information manuals:				
	Documentation, Options Manual	EK-A0519-MG			
	Documentation, BA42-B Enclosure Maintenance	EK-A0511-MG			

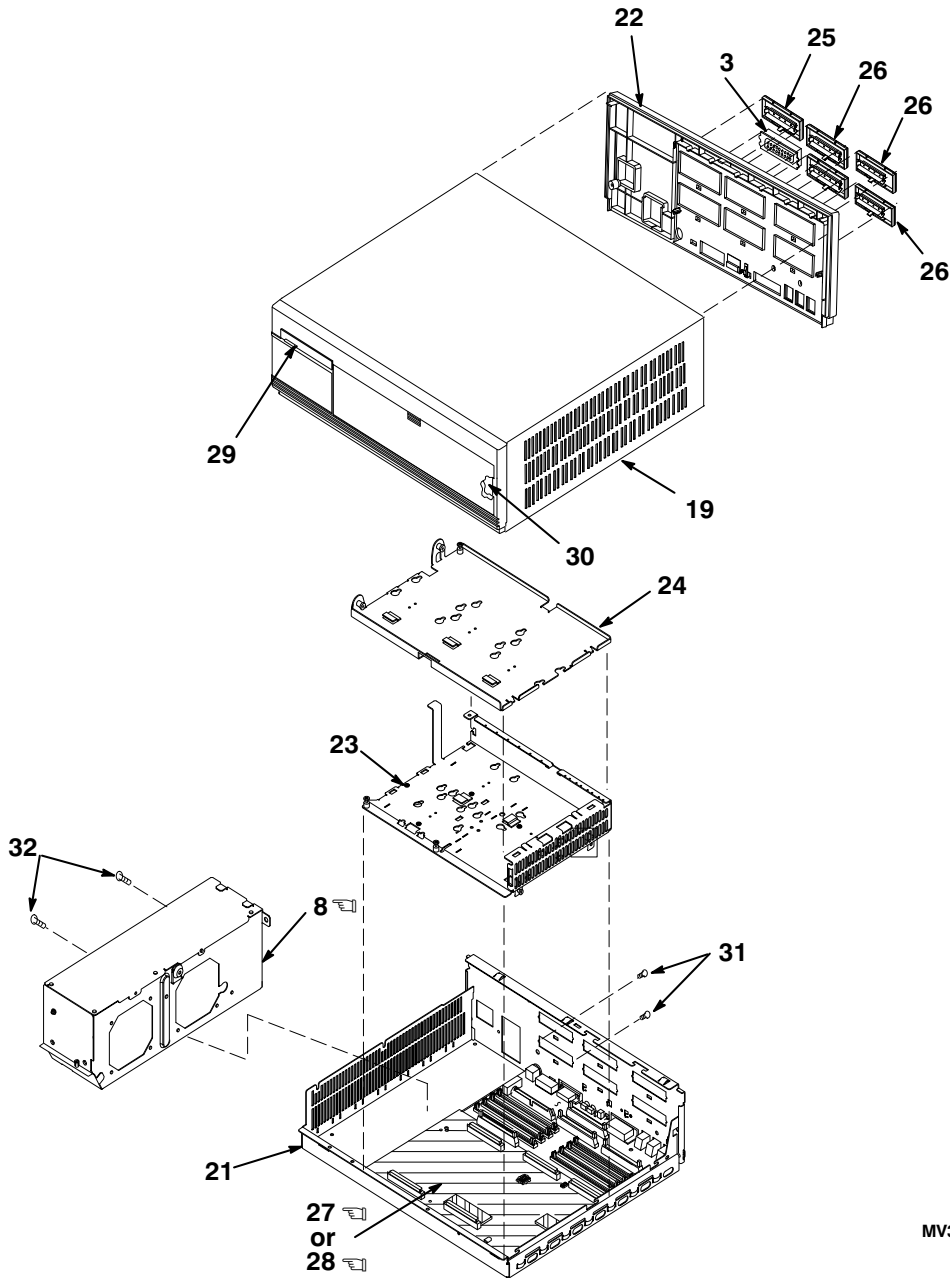
L

MicroVAX 3100
MODEL 96

L

INDICATES FRU LEVEL PARTS.

PARTS LIST



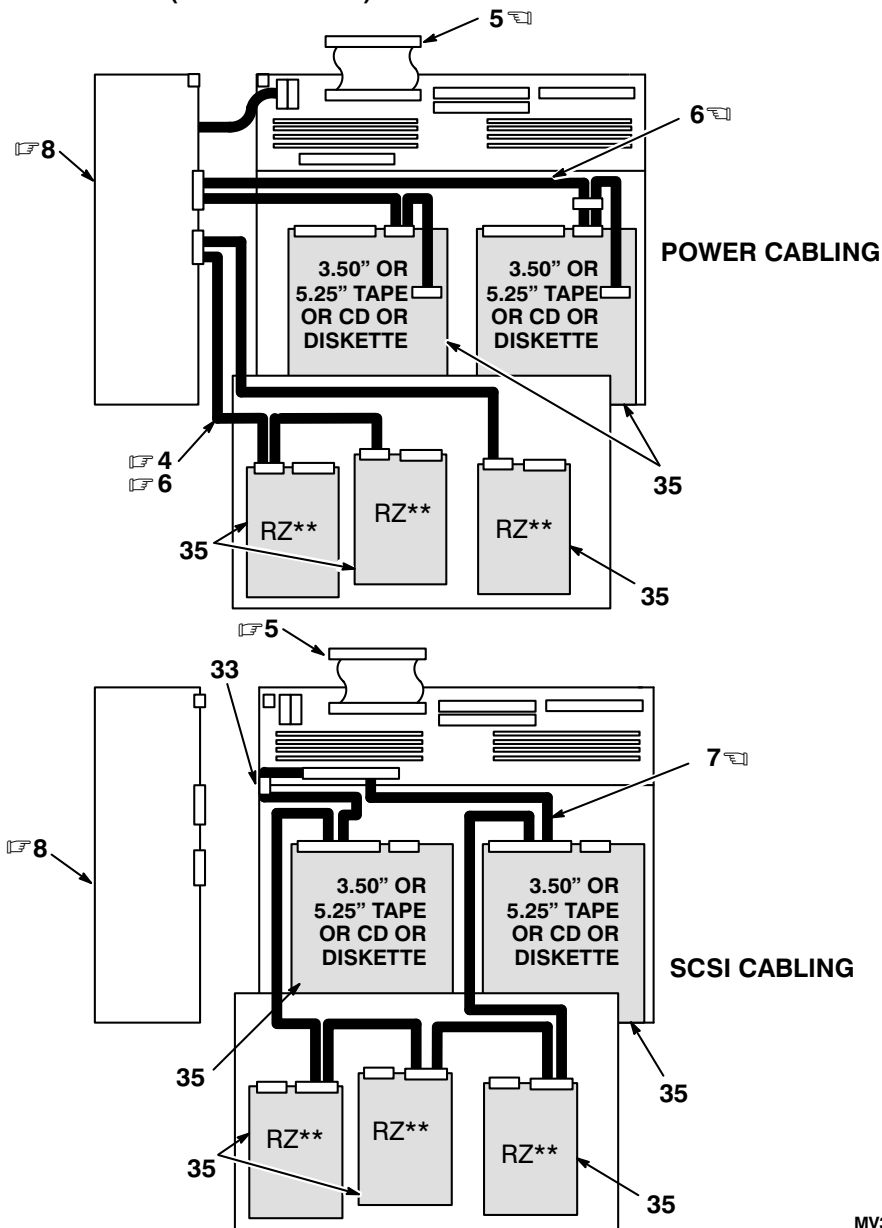
MV310-11-IL

Figure 11. MicroVAX 3100 Model 96 System Building Block, KA56 NVAX CPU Kernel, BA42B Enclosure (Sheet 1 of 2)

INDICATES FRU LEVEL PARTS.

OPTIONAL (SEE PART LIST)

PARTS LIST



MV310-11A-IL

Figure 11. MicroVAX 3100 Model 96 System Building Block, KA56 NVAX CPU Kernel, BA42B Enclosure (Sheet 2 of 2)



FIG. & ITEM NO.	DESCRIPTION	DIGITAL PART NO. ^A	ECO CUT-IN 49ZBM 00000	USED ON CODE	REF FIG NO.
11-	MicroVAX 3100 MODEL 96, SYSTEM BUILDING BLOCK, KA56 NVAX CPU KERNEL, BA42B ENCLOSURE, 16 MB	49ZBM-A9		A	
	MicroVAX 3100 MODEL 96, SYSTEM BUILDING BLOCK, KA56 NVAX CPU KERNEL, BA42B ENCLOSURE, 64 MB	49ZBM-B9		B	
1	*Cable, Oval 25 ft. Data (17-00811-03) 6 Conductor (Not Shown)	BC16E-25			
2	*Adapter, 25 Pin D-Sub to MMJ (Not Shown)	H8575-A			
3	*Connector, SCSI Term 50 Position Champ HSG	12-30552-01			
4	*Harness Assembly, Wire	17-02219-01			
5	*Cable Assembly, Flat 50 Way SCSI	17-02944-01			
6	*Cable Assembly, DC Harness	17-03018-01			
7	*Cable Assembly, Flat, 50 Cond.	17-03588-01			
8	*Power Supply Assembly, 166 Watts 120V/240V	30-35042-01			
9	*Label, "Bar Code"	36-28231-07			
10	*Label, "Attention, Preinstalled Software"	36-28979-01			
11	*Label, "Regulatory UK"	36-30382-24			
12	*Label, "FTZ Postcard"	36-30422-10			
13	*Label, "Diagnostic VS42A"	36-30489-01			
14	*Label, "PTT"	36-36015-02			
15	*Label, "Product ID" BA42-B"	36-36394-02			
16	*Label, "CE Mark"	36-36842-01			
17	*Label, "OPA"	36-39380-01			
18	*Package Assembly	37-01106-01			
19	*COVER ASSEMBLY	70-26167-01			6
20	*KIT, Thick/ThinWire ETHERNET	70-26209-01			
20A	**Connector, 50 Ohms BNC Coax	12-26318-01			
20B	**Tee, BNC Coaxial	12-25869-01			
20C	**Connector, D-Sub 15 Position	12-22196-01			
21	*BASE ASSEMBLY	70-27106-01			5
22	*Bezel Assembly, Rear	70-27107-01			
23	*Shelf, Lower Drive Assembly	70-27108-01			
24	*Shelf, Upper Drive Assembly	70-27109-01			
25	*Cover, FCC Blanking Option	70-28539-01			
26	*Cover, FCC Blanking Comms	70-28539-02			
	Note 1: Items 1, 2, 9-18, 20 and 34 are not shown.				



FIG. & ITEM NO.	DESCRIPTION	DIGITAL PART NO. ^A	ECO CUT-IN 49ZBM 00000	USED ON CODE	REF FIG NO.
11-					
☞ 27	*MODULE ASSEMBLY, CPU 16 MB MEMORY	70-29672-03		A	
☞ 27A	**Module, ECC Memory, 16 MB	MS44L-BC			
☞ 27B	**Module, CPU Assembly	54-21797-03			
☞ 27C	**Battery, 3 Cell 3.75V .18 ma Nicad	12-19245-01			
☞ 28	*MODULE ASSEMBLY, CPU 64 MB MEMORY	70-29672-04		B	
☞ 28A	**Module, ECC Memory, 64 MB	MS44-DC			
☞ 28B	**Module, CPU Assembly	54-21797-03			
☞ 28C	**Battery, 3 Cell 3.75V .18 ma Nicad	12-19245-01			
29	*Medallion, MicroVAX 3100-96	74-37642-35			
30	*Insert, Bezel	74-38027-01			
31	*Screw, Sems Pan Hd No 4-40 x 3/8	90-09643-00			
32	*Screw, Sems Pan Hd No. 6-32 x 5/16	90-09984-07			
33	*Clamp, Cable SCSI Loop (See Note 2)	90-11237-01			
34	*Documentation, "Guide To Using VMS"	EK-A0377-UG			
35	Drive Assemblies (See Note 3)	N/A			
	Note 2: Use only with alternate cable, part number 17-02943-01.				
	Note 3: Drives are not part of this assembly and are shown for reference only. For more information on optional items, refer to the following MicroVAX 3100 Platform Maintenance Information manuals:				
	Documentation, Options Manual	EK-A0519-MG			
	Documentation, BA42-B Enclosure Maintenance	EK-A0511-MG			

L

PART NUMBER/DESCRIPTION INDEX 

L

INDEX BY DIGITAL PART NUMBER
MicroVAX 3100 MODELS 30/40/80/85/90/95/96

PART NO.	DESCRIPTION	FIG NO.	ITEM NO.
12-19245-01	Battery, 3 Cell 3.75V .18 ma Nicad	1	17A
12-19245-01	Battery, 3 Cell 3.75V .18 ma Nicad	10	27C
12-19245-01	Battery, 3 Cell 3.75V .18 ma Nicad	10	28C
12-19245-01	Battery, 3 Cell 3.75V .18 ma Nicad	11	27C
12-19245-01	Battery, 3 Cell 3.75V .18 ma Nicad	11	28C
12-19245-01	Battery, 3 Cell 3.75V .18 ma Nicad	4	18A
12-19245-01	Battery, 3 Cell 3.75V .18 ma Nicad	9	27C
12-19245-01	Battery, 3 Cell 3.75V .18 ma Nicad	9	28C
12-19245-01	Battery, 3 Cell 3.75V .18ma Nicad	7	26C
12-22196-01	Connector, D-Sub 15 Position	1	19C
12-22196-01	Connector, D-Sub 15 Position	10	20C
12-22196-01	Connector, D-Sub 15 Position	11	20C
12-22196-01	Connector, D-Sub 15 Position	4	20
12-22196-01	Connector, D-Sub 15 Position	7	19C
12-22196-01	Connector, D-Sub 15 Position	8	24C
12-22196-01	Connector, D-Sub 15 Position	9	20C
12-25869-01	Tee, BNC Coax	1	19B
12-25869-01	Tee, BNC Coaxial	10	20B
12-25869-01	Tee, BNC Coaxial	11	20B
12-25869-01	Tee, BNC Coaxial	4	20
12-25869-01	Tee, BNC Coaxial	7	19B
12-25869-01	Tee, BNC Coaxial	8	24B
12-25869-01	Tee, BNC Coaxial	9	20B
12-26318-01	Connector, 50 Ohms BNC Coax	1	19A
12-26318-01	Connector, 50 Ohms BNC Coax	10	20A
12-26318-01	Connector, 50 Ohms BNC Coax	11	20A
12-26318-01	Connector, 50 Ohms BNC Coax	4	20
12-26318-01	Connector, 50 Ohms BNC Coax	7	19A
12-26318-01	Connector, 50 Ohms BNC Coax	8	24A
12-26318-01	Connector, 50 Ohms BNC Coax	9	20A
12-26922-01	Finger, Non-Snag Grounding	5	1
12-26922-01	Finger, Non-Snag Grounding (For EOS)	2	1
12-30552-01	Connector, SCSI Term 50 Position Champ HSG	1	4
12-30552-01	Connector, SCSI Term 50 Position Champ HSG	10	3
12-30552-01	Connector, SCSI Term 50 Position Champ HSG	11	3
12-30552-01	Connector, SCSI Term 50 Position Champ HSG	4	3
12-30552-01	Connector, SCSI Term 50 Position Champ HSG	7	3
12-30552-01	Connector, SCSI Term 50 Position Champ HSG	8	5
12-30552-01	Connector, SCSI Term 50 Position Champ HSG	9	3
12-35649-01	Foot, Self Adhesive	2	2
12-35649-01	Foot, Self Adhesive	5	2
12-39980-01	Sheet, CPU Insulation	5	3
12-39980-01	Sheet, CPU Insulation	2	3
16-34255-02	Ferrite, Bead 50 Conductor Cable	1	5
16-34255-02	Ferrite, Bead 50 Conductor Cable (added)	4	4
17-00606-02	Cord, Power Term SVT 125 V	8	6
17-00811-03	Cable, Oval 25 ft. Data BC16E-25 (Not Shown)	7	1
17-02219-01	Harness Assembly, Wire	10	4
17-02219-01	Harness Assembly, Wire	11	4
17-02219-01	Harness Assembly, Wire	4	5
17-02219-01	Harness Assembly, Wire	7	4
17-02219-01	Harness Assembly, Wire	8	7
17-02219-01	Harness Assembly, Wire	9	4

INDEX BY DIGITAL PART NUMBER
MicroVAX 3100 MODELS 30/40/80/85/90/95/96

PART NO.	DESCRIPTION	FIG NO.	ITEM NO.
17-02944-01	Cable Assembly, Flat 50 Way SCSI	4	7
17-02944-01	Cable Assembly, Flat 50 Way SCSI	1	6
17-02944-01	Cable Assembly, Flat 50 Way SCSI	10	5
17-02944-01	Cable Assembly, Flat 50 Way SCSI	11	5
17-02944-01	Cable Assembly, Flat 50 Way SCSI	7	6
17-02944-01	Cable Assembly, Flat 50 Way SCSI	8	8
17-02944-01	Cable Assembly, Flat 50 Way SCSI	9	5
17-03016-01	Cable Assembly, Round SCSI 50 Way	1	7
17-03017-01	Cable Assembly, DC Harness	1	8
17-03018-01	Cable Assembly, DC Harness	10	6
17-03018-01	Cable Assembly, DC Harness	11	6
17-03018-01	Cable Assembly, DC Harness	4	8
17-03018-01	Cable Assembly, DC Harness	7	7
17-03018-01	Cable Assembly, DC Harness	9	6
17-03018-01	Cable Assembly, DC Harness MHO/80 WAV	8	9
17-03136-01	Cable Assembly, Harness 3.3V	7	8
17-03588-01	Cable Assembly, Flat, 50 Cond.	7	33
17-03588-01	Cable Assembly, Flat, 50 Cond.	8	10
17-03588-01	Cable Assembly, Flat, 50 Cond.	10	7
17-03588-01	Cable Assembly, Flat, 50 Cond.	11	7
17-03588-01	Cable Assembly, Flat, 50 Cond.	9	7
17-03588-01	Cable Assembly, Flat, 50 Cond.	4	33
30-35042-01	Power Supply Assembly, 166 Watts 120V/240V	9	8
30-35042-01	Power Supply Assembly, 166 Watts, 120V/240V	10	8
30-35042-01	Power Supply Assembly, 166 Watts, 120V/240V	11	8
30-35042-01	Power Supply Assembly, 166 Watts, 120V/240V	4	9
30-35042-01	Power Supply Assembly, 166 Watts, 120V/240V	7	9
30-35042-01	Power Supply Assembly, 166 Watts, 120V/240V	8	11
36-28231-07	Label, "Bar Code"	1	9
36-28231-07	Label, "Bar Code"	10	9
36-28231-07	Label, "Bar Code"	11	9
36-28231-07	Label, "Bar Code"	4	10
36-28231-07	Label, "Bar Code"	7	11
36-28231-07	Label, "Bar Code"	9	9
36-28979-01	Label, "Attention, Preinstalled Software"	1	10
36-28979-01	Label, "Attention, Preinstalled Software"	10	10
36-28979-01	Label, "Attention, Preinstalled Software"	11	10
36-28979-01	Label, "Attention, Preinstalled Software"	4	11
36-28979-01	Label, "Attention, Preinstalled Software"	7	12
36-28979-01	Label, "Attention, Preinstalled Software"	8	12
36-28979-01	Label, "Attention, Preinstalled Software"	9	10
36-30382-21	Label, "Regulatory USA/Canada"	1	11
36-30382-22	Label, "Regulatory UK"	1	11
36-30382-23	Label, "Regulatory Canada"	10	11
36-30382-23	Label, "Regulatory Canada"	4	12
36-30382-23	Label, "Regulatory Canada"	7	13
36-30382-23	Label, "Regulatory Canada"	8	13
36-30382-23	Label, "Regulatory Canada"	9	11
36-30382-24	Label, "Regulatory UK"	10	11
36-30382-24	Label, "Regulatory UK"	11	11
36-30382-24	Label, "Regulatory UK"	4	12
36-30382-24	Label, "Regulatory UK"	7	13
36-30382-24	Label, "Regulatory UK"	8	14
36-30382-24	Label, "Regulatory UK"	9	11

INDEX BY DIGITAL PART NUMBER
MicroVAX 3100 MODELS 30/40/80/85/90/95/96

PART NO.	DESCRIPTION	FIG NO.	ITEM NO.
36-30422-05	Label, "FTZ Postcard"	1	12
36-30422-10	Label, "FTZ Postcard"	10	12
36-30422-10	Label, "FTZ Postcard"	11	12
36-30422-10	Label, "FTZ Postcard"	4	13
36-30422-10	Label, "FTZ Postcard"	7	14
36-30422-10	Label, "FTZ Postcard"	9	12
36-30422-10	Label, "FTZ Postcard"	8	15
36-30489-01	Label, "Diagnostic VS42A"	1	13
36-30489-01	Label, "Diagnostic VS42A"	10	13
36-30489-01	Label, "Diagnostic VS42A"	11	13
36-30489-01	Label, "Diagnostic VS42A"	4	14
36-30489-01	Label, "Diagnostic VS42A"	7	15
36-30489-01	Label, "Diagnostic VS42A"	8	16
36-30489-01	Label, "Diagnostic VS42A"	9	13
36-36015-01	Label, "PTT Regulatory"	1	14
36-36015-02	Label, "PTT"	10	14
36-36015-02	Label, "PTT"	11	14
36-36015-02	Label, "PTT"	4	15
36-36015-02	Label, "PTT"	7	10
36-36015-02	Label, "PTT"	9	14
36-36015-03	Label, "VAX 4000-1XXA, PTT Regulation"	8	17
36-36394-01	Label, "Product ID"	1	15
36-36394-02	Label, "Product ID BA42-B"	10	15
36-36394-02	Label, "Product ID BA42-B"	11	15
36-36394-02	Label, "Product ID"	4	16
36-36394-02	Label, "Product ID"	7	16
36-36394-02	Label, "Product ID"	8	18
36-36394-02	Label, "Product ID"	9	15
36-36842-01	Label, "CE Mark"	11	16
36-36842-01	Label, "CE Mark"	8	19
36-36842-01	Label, "CE"	10	16
36-36842-01	Label, "CE"	9	16
36-39380-01	Label, "OPA"	11	17
36-39380-01	Label, "OPA"	8	20
36-39380-01	Label, "OPA"	10	17
36-39380-01	Label, "OPA"	9	17
37-01106-01	Package Assembly	10	18
37-01106-01	Package Assembly	11	18
37-01106-01	Package Assembly	4	17
37-01106-01	Package Assembly	7	17
37-01106-01	Package Assembly	9	18
37-01106-08	Package Assembly	8	21
37-01107-01	Package Assembly	1	16
450ZM-B9	MicroVAX 3100 MODEL 40 SYSTEM BUILDING BLOCK, KA45 CPU KERNEL, BA42B ENCLOSURE	4	N/A
450ZN-B9	MicroVAX MODEL 30 SYSTEM BUILDING BLOCK, KA45 CPU KERNEL, BA42A ENCLOSURE	1	N/A
46ZBM-A9	MicroVAX 3100 MODEL 85 SYSTEM BUILDING BLOCK, KA55 CPU KERNEL, BA42B ENCLOSURE, 16 MB	8	N/A
46ZBM-B9	MicroVAX MODEL 85 SYSTEM BUILDING BLOCK, KA55 CPU KERNEL, BA42B ENCLOSURE, 64 MB	8	N/A
470ZM-B9	MicroVAX 3100 MODEL 80, SYSTEM BUILDING BLOCK, KA47 MAR CPU KERNEL, BA42B ENCLOSURE	7	N/A

INDEX BY DIGITAL PART NUMBER
MicroVAX 3100 MODELS 30/40/80/85/90/95/96

PART NO.	DESCRIPTION	FIG NO.	ITEM NO.
47ZBM-A9	MicroVAX 3100 Model 90 SYSTEM BUILDING BLOCK, KA50 NVAX CPU KERNEL, BA42B ENCLOSURE, 16 MB	9	N/A
47ZBM-B9	MicroVAX 3100 Model 90 SYSTEM BUILDING BLOCK, KA50 NVAX CPU KERNEL, BA42B ENCLOSURE, 64 MB	9	N/A
48ZBM-C9	MicroVAX 3100 MODEL 95, SYSTEM BUILDING BLOCK, KA51 NVAX CPU KERNEL, BA42B ENCLOSURE, 16 MB	10	N/A
48ZBM-D9	MicroVAX 3100 MODEL 95, SYSTEM BUILDING BLOCK, KA51 NVAX CPU KERNEL, BA42B ENCLOSURE, 64 MB	10	N/A
49ZBM-A9	MicroVAX 3100 MODEL 96, SYSTEM BUILDING BLOCK, KA56 NVAX CPU KERNEL, BA42B ENCLOSURE, 16 MB	11	N/A
49ZBM-B9	MicroVAX 3100 MODEL 96, SYSTEM BUILDING BLOCK, KA56 NVAX CPU KERNEL, BA42B ENCLOSURE, 64 MB	11	N/A
54-20652-01	Module, CPU Assembly	7	26B
54-20654-01	MODULE ASSEMBLY, SOC CPU	1	17
54-20654-01	MODULE ASSEMBLY, SOC CPU	4	18
54-21797-01	Module, CPU Assembly	10	27B
54-21797-01	Module, CPU Assembly	10	28B
54-21797-01	Module, CPU Assembly	9	27B
54-21797-01	Module, CPU Assembly	9	28B
54-21797-03	Module, CPU Assembly	11	27B
54-21797-03	Module, CPU Assembly	11	28B
54-21797-04	Module, NVAX CPU, 128K Cache, 16NS, SCSI	8	22
70-25726-01	ENCLOSURE ASSEMBLY, TOP	1	18
70-25726-01	ENCLOSURE ASSEMBLY, TOP	3	N/A
70-25786-01	Enclosure, Top (Weldment)	3	1
70-25797-01	Bezel Assembly, Front	3	2
70-26167-01	COVER ASSEMBLY	10	19
70-26167-01	COVER ASSEMBLY	11	19
70-26167-01	COVER ASSEMBLY	4	19
70-26167-01	COVER ASSEMBLY	6	N/A
70-26167-01	COVER ASSEMBLY	7	18
70-26167-01	COVER ASSEMBLY	8	23
70-26167-01	COVER ASSEMBLY	9	19
70-26168-01	Bezel Assembly, Front	6	2
70-26169-01	Cover (Weldment)	6	1
70-26209-01	KIT, Thick/ThinWire ETHERNET	1	19
70-26209-01	KIT, Thick/ThinWire ETHERNET	10	20
70-26209-01	KIT, Thick/ThinWire ETHERNET	11	20
70-26209-01	KIT, Thick/ThinWire ETHERNET	4	20
70-26209-01	KIT, Thick/ThinWire ETHERNET	9	20
70-26209-01	KIT, Thick/ThinWire ETHERNET (Not Shown)	7	19
70-26209-01	KIT, Thick/ThinWire ETHERNET (Not Shown)	8	24
70-27106-01	BASE ASSEMBLY	10	21
70-27106-01	BASE ASSEMBLY	11	21
70-27106-01	BASE ASSEMBLY	4	21
70-27106-01	BASE ASSEMBLY	5	N/A
70-27106-01	BASE ASSEMBLY	7	20
70-27106-01	BASE ASSEMBLY	9	21
70-27106-01	BASE ASSEMBLY, M40	8	25
70-27107-01	Bezel Assembly, Rear	10	22
70-27107-01	Bezel Assembly, Rear	11	22
70-27107-01	Bezel Assembly, Rear	4	22
70-27107-01	Bezel Assembly, Rear	7	21
70-27107-01	Bezel Assembly, Rear	8	26

INDEX BY DIGITAL PART NUMBER
MicroVAX 3100 MODELS 30/40/80/85/90/95/96

PART NO.	DESCRIPTION	FIG NO.	ITEM NO.
70-27107-01	Bezel Assembly, Rear	9	22
70-27108-01	Shelf, Lower Drive Assembly	10	23
70-27108-01	Shelf, Lower Drive Assembly	11	23
70-27108-01	Shelf, Lower Drive Assembly	4	23
70-27108-01	Shelf, Lower Drive Assembly	7	22
70-27108-01	Shelf, Lower Drive Assembly	8	27
70-27108-01	Shelf, Lower Drive Assembly	9	23
70-27109-01	Shelf, Upper Drive Assembly	10	24
70-27109-01	Shelf, Upper Drive Assembly	11	24
70-27109-01	Shelf, Upper Drive Assembly	4	24
70-27109-01	Shelf, Upper Drive Assembly	7	23
70-27109-01	Shelf, Upper Drive Assembly	8	28
70-27109-01	Shelf, Upper Drive Assembly	9	24
70-28535-01	BASE ASSEMBLY	1	20
70-28535-01	BASE ASSEMBLY	2	N/A
70-28536-01	Bezel Assembly, Rear	1	21
70-28537-01	Shelf, Lower Drive Assembly	1	22
70-28539-01	Cover, FCC Blanking Option	10	25
70-28539-01	Cover, FCC Blanking Option	11	25
70-28539-01	Cover, FCC Blanking Option	4	25
70-28539-01	Cover, FCC Blanking Option	7	24
70-28539-01	Cover, FCC Blanking Option	8	29
70-28539-01	Cover, FCC Blanking Option	9	25
70-28539-02	Cover, FCC Blanking	1	23
70-28539-02	Cover, FCC Blanking Comms	10	26
70-28539-02	Cover, FCC Blanking Comms	11	26
70-28539-02	Cover, FCC Blanking Comms	4	26
70-28539-02	Cover, FCC Blanking Comms	7	25
70-28539-02	Cover, FCC Blanking Comms	8	30
70-28539-02	Cover, FCC Blanking Comms	9	26
70-29670-01	MODULE ASSEMBLY, CPU 8MB MEMORY	7	26
70-29672-01	MODULE ASSEMBLY, CPU 16 MB MEMORY	9	27
70-29672-02	MODULE ASSEMBLY, CPU 64 MB MEMORY	9	28
70-29672-03	MODULE ASSEMBLY, CPU 16 MB MEMORY	10	27
70-29672-03	MODULE ASSEMBLY, CPU 16 MB MEMORY	11	27
70-29672-04	MODULE ASSEMBLY, CPU 64 MB MEMORY	10	28
70-29672-04	MODULE ASSEMBLY, CPU 64 MB MEMORY	11	28
74-37499-02	Insert, Blank Bezel FCC Shield	1	24
74-37642-20	Medallion, MicroVAX 3100-30	1	25
74-37642-21	Medallion, MicroVAX 3100-40	4	27
74-37642-22	Medallion, MicroVAX 3100-80	7	27
74-37642-27	Medallion, MicroVAX 3100-90	9	29
74-37642-30	Medallion, MicroVAX 3100-95	10	29
74-37642-33	Medallion, MicroVAX 3100-85	8	31
74-37642-35	Medallion, MicroVAX 3100-96	11	29
74-38027-01	Insert, Bezel	10	30
74-38027-01	Insert, Bezel	11	30
74-38027-01	Insert, Bezel	4	28
74-38027-01	Insert, Bezel	7	28
74-38027-01	Insert, Bezel	8	32
74-38027-01	Insert, Bezel	9	30
74-41871-01	Base Detail, Model 40/80	5	4
74-42108-01	Base Detail, Model 30	2	4
74-42429-01	Gasket, CPU Grounding	2	5

INDEX BY DIGITAL PART NUMBER
MicroVAX 3100 MODELS 30/40/80/85/90/95/96

PART NO.	DESCRIPTION	FIG NO.	ITEM NO.
74-42429-01	Gasket, CPU Grounding	5	5
74-42448-01	Cantilever, CPU Retention	2	6
74-42448-01	Cantilever, CPU Retention	5	6
90-00052-01	Rivet, Repetition Clinch .125	5	7
90-00052-01	Rivet, Repetition Clinch .125 DIA	2	7
90-09643-00	Screw, Sems Pan Hd No 4-40 x .375 XRCS	8	33
90-09643-00	Screw, Sems Pan Hd No 4-40 x 3/8	10	31
90-09643-00	Screw, Sems Pan Hd No 4-40 x 3/8	11	31
90-09643-00	Screw, Sems Pan Hd No 4-40 x 3/8	4	29
90-09643-00	Screw, Sems Pan Hd No 4-40 x 3/8	7	29
90-09643-00	Screw, Sems Pan Hd No 4-40 x 3/8	9	31
90-09643-00	Screw, Sems Pan Hd No. 4-40 x .375	1	26
90-09984-07	Screw, Sems Pan Hd No. 6-32 x .312	1	27
90-09984-07	Screw, Sems Pan Hd No. 6-32 x .312 XRCS	8	34
90-09984-07	Screw, Sems Pan Hd No. 6-32 x 5/16	10	32
90-09984-07	Screw, Sems Pan Hd No. 6-32 x 5/16	11	32
90-09984-07	Screw, Sems Pan Hd No. 6-32 x 5/16	4	30
90-09984-07	Screw, Sems Pan Hd No. 6-32 x 5/16	7	30
90-09984-07	Screw, Sems Pan Hd No. 6-32 x 5/16	9	32
90-10411-01	Screw, Self-Tap Flat Hd No. 4-20 x 3/16	3	3
90-10411-01	Screw, Self-Tap Flat Hd No. 4-20 x 3/16	6	3
90-11237-01	Clamp, Cable SCSI Loop	10	33
90-11237-01	Clamp, Cable SCSI Loop	11	33
90-11237-01	Clamp, Cable SCSI Loop	9	33
90-11237-01	Clamp, Cable SCSI Loop - Lower Shelf	1	28
90-11237-02	Clamp, Strain Relief Cable	8	35
90-11237-02	Clamp, Strain Relief Cable	7	34
90-11237-02	Clamp, Strain Relief Cable	4	34
99-06557-30	Bag, Poly Reclose	8	36
BC16E-25	Cable, 25 ft. Data (17-00811-03)	1	1
BC16E-25	Cable, Oval 25 ft. Data (17-00811-03)	4	1
BC16E-25	Cable, Oval 25 ft. Data 6 Conductor	9	1
BC16E-25	Cable, Oval 25 ft. Data	8	1
BC16E-25	Cable, Oval 25 ft. Data	10	1
BC16E-25	Cable, Oval 25 ft. Data	11	1
EK-A0377-UG	Documentation, "Guide To Using VMS"	10	34
EK-A0377-UG	Documentation, "Guide To Using VMS"	11	34
EK-A0377-UG	Documentation, "Guide To Using VMS"	4	32
EK-A0377-UG	Documentation, "Guide To Using VMS"	9	34
EK-A0377-UG	Documentation, "Guide To Using VMS" (Not Shown)	7	32
EK-A0377-UG	Documentation, "Guide to Using VMS"	1	29
EK-A0510-MG	Documentation, BA42-A Enclosure Maintenance	1	Not Shown
EK-A0510-MG	Documentation, BA42-A Enclosure Maintenance	7	Not Shown
EK-A0510-MG	Documentation, BA42-A Enclosure Maintenance	8	Not Shown
EK-A0510-MG	Documentation, "BA42-A Enclosure Maint."	4	Not Shown
EK-A0511-MG	Documentation, BA42-B Enclosure Maintenance	1	Not Shown
EK-A0511-MG	Documentation, BA42-B Enclosure Maintenance	10	Not Shown
EK-A0511-MG	Documentation, BA42-B Enclosure Maintenance	11	Not Shown
EK-A0511-MG	Documentation, BA42-B Enclosure Maintenance	7	Not Shown
EK-A0511-MG	Documentation, BA42-B Enclosure Maintenance	8	Not Shown
EK-A0511-MG	Documentation, BA42-B Enclosure Maintenance	9	Not Shown
EK-A0511-MG	Documentation, "BA42-B Enclosure Maint."	4	Not Shown

INDEX BY DIGITAL PART NUMBER
MicroVAX 3100 MODELS 30/40/80/85/90/95/96

PART NO.	DESCRIPTION	FIG NO.	ITEM NO.
EK-A0519-MG	Documentation, Options Manual	1	Not Shown
EK-A0519-MG	Documentation, Options Manual	10	Not Shown
EK-A0519-MG	Documentation, Options Manual	11	Not Shown
EK-A0519-MG	Documentation, Options Manual	7	Not Shown
EK-A0519-MG	Documentation, Options Manual	8	Not Shown
EK-A0519-MG	Documentation, Options Manual	9	Not Shown
EK-A0519-MG	Documentation, "Options Manual"	4	Not Shown
H7083-AA	Power Supply, 122W Auto Select 100V/120V, 220V/240V	1	2
H8575-A	Adapter, 25 Pin D-Sub to MMJ	1	3
H8575-A	Adapter, 25 Pin D-Sub to MMJ	4	2
H8575-A	Adapter, 25 Pin D-Sub to MMJ (Not Shown)	10	2
H8575-A	Adapter, 25 Pin D-Sub to MMJ (Not Shown)	11	2
H8575-A	Adapter, 25 Pin D-Sub to MMJ (Not Shown)	7	2
H8575-A	Adapter, 25 Pin D-Sub to MMJ (Not Shown)	8	2
H8575-A	Adapter, 25 Pin D-Sub to MMJ (Not Shown)	9	2
MS44-CA	Module, (4) ECMB Parity Memory Option	10	28A
MS44-CA	Module, (4) ECMB Parity Memory Option	9	28A
MS44-DC	Module, ECC Memory, 64 MB	11	28A
MS44-DC	Module, ECC Memory, 64 MB	8	3
MS44L-AA	Module, (4) ECMB Parity Memory Option	10	27A
MS44L-AA	Module, (4) ECMB Parity Memory Option	9	27A
MS44L-AA	Module, ECMB Parity Memory Option	7	26A
MS44L-BC	Module, ECC Memory, 16 MB	11	27A
MS44L-BC	Module, ECC Memory, 16 MB	8	4



INDEX BY DIGITAL PART NUMBER
MicroVAX 3100 MODELS 30/40/80/85/90/95/96

PART NO.	DESCRIPTION	FIG NO.	ITEM NO.
-----------------	--------------------	--------------------	---------------------

THIS PAGE INTENTIONALLY LEFT BLANK

INDEX BY DIGITAL PART DESCRIPTION
MicroVAX 3100 MODELS 30/40/80/85/90/95/96

DESCRIPTION	PART NO.	FIG. NO.	ITEM NO.
Adapter, 25 Pin D-Sub to MMJ	H8575-A	1	3
Adapter, 25 Pin D-Sub to MMJ	H8575-A	4	2
Adapter, 25 Pin D-Sub to MMJ (Not Shown)	H8575-A	10	2
Adapter, 25 Pin D-Sub to MMJ (Not Shown)	H8575-A	11	2
Adapter, 25 Pin D-Sub to MMJ (Not Shown)	H8575-A	7	2
Adapter, 25 Pin D-Sub to MMJ (Not Shown)	H8575-A	8	2
Adapter, 25 Pin D-Sub to MMJ (Not Shown)	H8575-A	9	2
Bag, Poly Reclose	99-06557-30	8	36
BASE ASSEMBLY	70-27106-01	10	21
BASE ASSEMBLY	70-27106-01	11	21
BASE ASSEMBLY	70-27106-01	4	21
BASE ASSEMBLY	70-27106-01	5	N/A
BASE ASSEMBLY	70-27106-01	7	20
BASE ASSEMBLY	70-27106-01	9	21
BASE ASSEMBLY	70-28535-01	1	20
BASE ASSEMBLY	70-28535-01	2	N/A
BASE ASSEMBLY, M40	70-27106-01	8	25
Base Detail, Model 30	74-42108-01	2	4
Base Detail, Model 40/80	74-41871-01	5	4
Battery, 3 Cell 3.75V .18 ma Nicad	12-19245-01	1	17A
Battery, 3 Cell 3.75V .18 ma Nicad	12-19245-01	10	27C
Battery, 3 Cell 3.75V .18 ma Nicad	12-19245-01	10	28C
Battery, 3 Cell 3.75V .18 ma Nicad	12-19245-01	11	27C
Battery, 3 Cell 3.75V .18 ma Nicad	12-19245-01	11	28C
Battery, 3 Cell 3.75V .18 ma Nicad	12-19245-01	4	18A
Battery, 3 Cell 3.75V .18 ma Nicad	12-19245-01	9	27C
Battery, 3 Cell 3.75V .18 ma Nicad	12-19245-01	9	29C
Battery, 3 Cell 3.75V .18ma Nicad	12-19245-01	7	26C
Bezel Assembly, Front	70-25797-01	3	2
Bezel Assembly, Front	70-26168-01	6	2
Bezel Assembly, Rear	70-27107-01	10	22
Bezel Assembly, Rear	70-27107-01	11	22
Bezel Assembly, Rear	70-27107-01	4	22
Bezel Assembly, Rear	70-27107-01	7	21
Bezel Assembly, Rear	70-27107-01	8	26
Bezel Assembly, Rear	70-27107-01	9	22
Bezel Assembly, Rear	70-28536-01	1	21
Cable Assembly, Flat, 50 Cond.	17-03588-01	4	33
Cable Assembly, Flat, 50 Cond.	17-03588-01	11	7
Cable Assembly, Flat, 50 Cond.	17-03588-01	7	33
Cable Assembly, Flat, 50 Cond.	17-03588-01	8	10
Cable Assembly, Flat, 50 Cond.	17-03588-01	10	7
Cable Assembly, Flat, 50 Cond.	17-03588-01	9	7
Cable Assembly, DC Harness	17-03017-01	1	8
Cable Assembly, DC Harness	17-03018-01	10	6
Cable Assembly, DC Harness	17-03018-01	11	6
Cable Assembly, DC Harness	17-03018-01	4	8
Cable Assembly, DC Harness	17-03018-01	7	7
Cable Assembly, DC Harness	17-03018-01	9	6
Cable Assembly, DC Harness MHO/80 WAV	17-03018-01	8	9
Cable Assembly, Flat 50 Way SCSI	17-02944-01	8	8
Cable Assembly, Flat 50 Way SCSI	17-02944-01	1	6
Cable Assembly, Flat 50 Way SCSI	17-02944-01	10	5

INDEX BY DIGITAL PART DESCRIPTION
MicroVAX 3100 MODELS 30/40/80/85/90/95/96

DESCRIPTION	PART NO.	FIG. NO.	ITEM NO.
Cable Assembly, Flat 50 Way SCSI	17-02944-01	11	5
Cable Assembly, Flat 50 Way SCSI	17-02944-01	4	7
Cable Assembly, Flat 50 Way SCSI	17-02944-01	7	6
Cable Assembly, Flat 50 Way SCSI	17-02944-01	9	5
Cable Assembly, Harness 3.3V	17-03136-01	7	8
Cable Assembly, Round SCSI 50 Way	17-03016-01	1	7
Cable, 25 ft. Data (17-00811-03)	BC16E-25	1	1
Cable, Oval 25 ft. Data 6 Conductor	BC16E-25	9	1
Cable, Oval 25 ft. Data (17-00811-03)	BC16E-25	4	1
Cable, Oval 25 ft. Data	BC16E-25	8	1
Cable, Oval 25 ft. Data	BC16E-25	10	1
Cable, Oval 25 ft. Data	BC16E-25	11	1
Cable, Oval 25 ft. Data BC16E-25 (Not Shown)	17-00811-03	7	1
Cantilever, CPU Retention	74-42448-01	2	6
Cantilever, CPU Retention	74-42448-01	5	6
Clamp, Cable SCSI Loop	90-11237-01	10	33
Clamp, Cable SCSI Loop	90-11237-01	11	33
Clamp, Cable SCSI Loop	90-11237-01	9	33
Clamp, Cable SCSI Loop - Lower Shelf	90-11237-01	1	28
Clamp, Strain Relief Cable	90-11237-02	8	35
Clamp, Strain Relief Cable	90-11237-02	7	34
Clamp, Strain Relief Cable	90-11237-02	4	34
Connector, 50 Ohms BNC Coax	12-26318-01	1	19A
Connector, 50 Ohms BNC Coax	12-26318-01	10	20A
Connector, 50 Ohms BNC Coax	12-26318-01	11	20A
Connector, 50 Ohms BNC Coax	12-26318-01	4	20
Connector, 50 Ohms BNC Coax	12-26318-01	7	19A
Connector, 50 Ohms BNC Coax	12-26318-01	8	24A
Connector, 50 Ohms BNC Coax	12-26318-01	9	20A
Connector, D-Sub 15 Position	12-22196-01	1	19C
Connector, D-Sub 15 Position	12-22196-01	10	20C
Connector, D-Sub 15 Position	12-22196-01	11	20C
Connector, D-Sub 15 Position	12-22196-01	4	20
Connector, D-Sub 15 Position	12-22196-01	7	19C
Connector, D-Sub 15 Position	12-22196-01	8	24C
Connector, D-Sub 15 Position	12-22196-01	9	20C
Connector, SCSI Term 50 Position Champ HSG	12-30552-01	1	4
Connector, SCSI Term 50 Position Champ HSG	12-30552-01	10	3
Connector, SCSI Term 50 Position Champ HSG	12-30552-01	11	3
Connector, SCSI Term 50 Position Champ HSG	12-30552-01	4	3
Connector, SCSI Term 50 Position Champ HSG	12-30552-01	7	3
Connector, SCSI Term 50 Position Champ HSG	12-30552-01	8	5
Connector, SCSI Term 50 Position Champ HSG	12-30552-01	9	3
Cord, Power Term SVT 125 V	17-00606-02	8	6
COVER ASSEMBLY	70-26167-01	10	19
COVER ASSEMBLY	70-26167-01	11	19
COVER ASSEMBLY	70-26167-01	4	19
COVER ASSEMBLY	70-26167-01	6	N/A
COVER ASSEMBLY	70-26167-01	7	18
COVER ASSEMBLY	70-26167-01	8	23
COVER ASSEMBLY	70-26167-01	9	19
Cover (Weldment)	70-26169-01	6	1
Cover, FCC Blanking	70-28539-02	1	23
Cover, FCC Blanking Comms	70-28539-02	10	26

INDEX BY DIGITAL PART DESCRIPTION
MicroVAX 3100 MODELS 30/40/80/85/90/95/96

DESCRIPTION	PART NO.	FIG. NO.	ITEM NO.
Cover, FCC Blanking Comms	70-28539-02	11	26
Cover, FCC Blanking Comms	70-28539-02	4	26
Cover, FCC Blanking Comms	70-28539-02	7	25
Cover, FCC Blanking Comms	70-28539-02	8	30
Cover, FCC Blanking Comms	70-28539-02	9	26
Cover, FCC Blanking Option	70-28539-01	10	25
Cover, FCC Blanking Option	70-28539-01	11	25
Cover, FCC Blanking Option	70-28539-01	4	25
Cover, FCC Blanking Option	70-28539-01	7	24
Cover, FCC Blanking Option	70-28539-01	8	29
Cover, FCC Blanking Option	70-28539-01	9	25
Documentation, BA42-A Enclosure Maintenance	EK-A0510-MG	1	Not Shown
Documentation, BA42-A Enclosure Maintenance	EK-A0510-MG	7	Not Shown
Documentation, BA42-A Enclosure Maintenance	EK-A0510-MG	8	Not Shown
Documentation, BA42-B Enclosure Maintenance	EK-A0511-MG	1	Not Shown
Documentation, BA42-B Enclosure Maintenance	EK-A0511-MG	10	Not Shown
Documentation, BA42-B Enclosure Maintenance	EK-A0511-MG	11	Not Shown
Documentation, BA42-B Enclosure Maintenance	EK-A0511-MG	7	Not Shown
Documentation, BA42-B Enclosure Maintenance	EK-A0511-MG	8	Not Shown
Documentation, BA42-B Enclosure Maintenance	EK-A0511-MG	9	Not Shown
Documentation, Options Manual	EK-A0519-MG	1	Not Shown
Documentation, Options Manual	EK-A0519-MG	10	Not Shown
Documentation, Options Manual	EK-A0519-MG	11	Not Shown
Documentation, Options Manual	EK-A0519-MG	7	Not Shown
Documentation, Options Manual	EK-A0519-MG	8	Not Shown
Documentation, Options Manual	EK-A0519-MG	9	Not Shown
Documentation, "BA42-A Enclosure Maint."	EK-A0510-MG	4	Not Shown
Documentation, "BA42-B Enclosure Maint."	EK-A0511-MG	4	Not Shown
Documentation, "Guide To Using VMS"	EK-A0377-UG	10	34
Documentation, "Guide To Using VMS"	EK-A0377-UG	11	34
Documentation, "Guide To Using VMS"	EK-A0377-UG	4	32
Documentation, "Guide To Using VMS"	EK-A0377-UG	9	34
Documentation, "Guide To Using VMS" (Not Shown)	EK-A0377-UG	7	32
Documentation, "Options Manual"	EK-A0519-MG	4	Not Shown
Documentation, "Guide to Using VMS"	EK-A0377-UG	1	29
Drive Assemblies	N/A	1	30
Drive Assemblies	N/A	10	35
Drive Assemblies	N/A	11	35
Drive Assemblies	N/A	7	35
Drive Assemblies	N/A	8	37
Drive Assemblies	N/A	9	35
Drive Assemblies	N/A	4	35
ENCLOSURE ASSEMBLY, TOP	70-25726-01	1	18
ENCLOSURE ASSEMBLY, TOP	70-25726-01	3	N/A
Enclosure, Top (Weldment)	70-25786-01	3	1
Ferrite, Bead 50 Conductor Cable	16-34255-02	1	5
Ferrite, Bead 50 Conductor Cable (added)	16-34255-02	4	4
Finger, Non-Snag Grounding	12-26922-01	5	1
Finger, Non-Snag Grounding (For EOS)	12-26922-01	2	1
Foot, Self Adhesive	12-35649-01	2	2
Foot, Self Adhesive	12-35649-01	5	2

INDEX BY DIGITAL PART DESCRIPTION
MicroVAX 3100 MODELS 30/40/80/85/90/95/96

DESCRIPTION	PART NO.	FIG. NO.	ITEM NO.
Gasket, CPU Grounding	74-42429-01	2	5
Gasket, CPU Grounding	74-42429-01	5	5
Harness Assembly, Wire	17-02219-01	10	4
Harness Assembly, Wire	17-02219-01	11	4
Harness Assembly, Wire	17-02219-01	4	5
Harness Assembly, Wire	17-02219-01	7	4
Harness Assembly, Wire	17-02219-01	8	7
Harness Assembly, Wire	17-02219-01	9	4
Insert, Bezel	74-38027-01	10	30
Insert, Bezel	74-38027-01	11	30
Insert, Bezel	74-38027-01	4	28
Insert, Bezel	74-38027-01	7	28
Insert, Bezel	74-38027-01	8	32
Insert, Bezel	74-38027-01	9	30
Insert, Blank Bezel FCC Shield	74-37499-02	1	24
KIT, Thick/ThinWire ETHERNET	70-26209-01	1	19
KIT, Thick/ThinWire ETHERNET	70-26209-01	10	20
KIT, Thick/ThinWire ETHERNET	70-26209-01	11	20
KIT, Thick/ThinWire ETHERNET	70-26209-01	4	20
KIT, Thick/ThinWire ETHERNET	70-26209-01	9	20
KIT, Thick/ThinWire ETHERNET (Not Shown)	70-26209-01	7	19
KIT, Thick/ThinWire ETHERNET (Not Shown)	70-26209-01	8	24
Label, "Attention, Preinstalled Software"	36-28979-01	1	10
Label, "Attention, Preinstalled Software"	36-28979-01	10	10
Label, "Attention, Preinstalled Software"	36-28979-01	11	10
Label, "Attention, Preinstalled Software"	36-28979-01	4	11
Label, "Attention, Preinstalled Software"	36-28979-01	7	12
Label, "Attention, Preinstalled Software"	36-28979-01	8	12
Label, "Attention, Preinstalled Software"	36-28979-01	9	10
Label, "Bar Code"	36-28231-07	1	9
Label, "Bar Code"	36-28231-07	10	9
Label, "Bar Code"	36-28231-07	11	9
Label, "Bar Code"	36-28231-07	4	10
Label, "Bar Code"	36-28231-07	7	11
Label, "Bar Code"	36-28231-07	9	9
Label, "CE Mark"	36-36842-01	11	16
Label, "CE Mark"	36-36842-01	8	19
Label, "CE"	36-36842-01	10	16
Label, "CE"	36-36842-01	9	16
Label, "Diagnostic VS42A"	36-30489-01	1	13
Label, "Diagnostic VS42A"	36-30489-01	10	13
Label, "Diagnostic VS42A"	36-30489-01	11	13
Label, "Diagnostic VS42A"	36-30489-01	4	14
Label, "Diagnostic VS42A"	36-30489-01	7	15
Label, "Diagnostic VS42A"	36-30489-01	8	16
Label, "Diagnostic VS42A"	36-30489-01	9	13
Label, "FTZ Postcard"	36-30422-05	1	12
Label, "FTZ Postcard"	36-30422-10	10	12
Label, "FTZ Postcard"	36-30422-10	11	12
Label, "FTZ Postcard"	36-30422-10	4	13
Label, "FTZ Postcard"	36-30422-10	7	14
Label, "FTZ Postcard"	36-30422-10	9	12

INDEX BY DIGITAL PART DESCRIPTION
MicroVAX 3100 MODELS 30/40/80/85/90/95/96

DESCRIPTION	PART NO.	FIG. NO.	ITEM NO.
Label, "FTZ Postcard"	36-30422-10	8	15
Label, "OPA"	36-39380-01	8	20
Label, "OPA"	36-39380-01	10	17
Label, "OPA"	36-39380-01	11	17
Label, "OPA"	36-39380-01	9	17
Label, "PTT Regulatory"	36-36015-01	1	14
Label, "PTT"	36-36015-02	10	14
Label, "PTT"	36-36015-02	11	14
Label, "PTT"	36-36015-02	4	15
Label, "PTT"	36-36015-02	7	10
Label, "PTT"	36-36015-02	9	14
Label, "Product ID"	36-36394-01	1	15
Label, "Product ID"	36-36394-02	4	16
Label, "Product ID"	36-36394-02	7	16
Label, "Product ID"	36-36394-02	8	18
Label, "Product ID" BA42-B	36-36394-02	9	15
Label, "Product ID" BA42-B"	36-36394-42	10	15
Label, "Product ID" BA42-B"	36-36394-02	11	15
Label, "Regulatory Canada"	36-30382-23	10	11
Label, "Regulatory Canada"	36-30382-23	4	12
Label, "Regulatory Canada"	36-30382-23	7	13
Label, "Regulatory Canada"	36-30382-23	8	13
Label, "Regulatory Canada"	36-30382-23	9	11
Label, "Regulatory UK"	36-30382-22	1	11
Label, "Regulatory UK"	36-30382-24	10	11
Label, "Regulatory UK"	36-30382-24	11	11
Label, "Regulatory UK"	36-30382-24	4	12
Label, "Regulatory UK"	36-30382-24	7	13
Label, "Regulatory UK"	36-30382-24	8	14
Label, "Regulatory UK"	36-30382-24	9	11
Label, "Regulatory USA/Canada"	36-30382-21	1	11
Label, "VAX 4000-1XXA, PTT Regulation"	36-36015-03	8	17
Medallion, MicroVAX 3100-30	74-37642-20	1	25
Medallion, MicroVAX 3100-40	74-37642-21	4	27
Medallion, MicroVAX 3100-80	74-37642-22	7	27
Medallion, MicroVAX 3100-85	74-37642-33	8	31
Medallion, MicroVAX 3100-90	74-37642-27	9	29
Medallion, MicroVAX 3100-95	74-37642-30	10	29
Medallion, MicroVAX 3100-96	74-37642-35	11	29
MicroVAX 3100 MODEL 40 SYSTEM BUILDING BLOCK, KA45 CPU KERNEL, BA42B ENCLOSURE	450ZM-B9	4	N/A
MicroVAX 3100 MODEL 80, SYSTEM BUILDING BLOCK, KA47 MAR CPU KERNEL, BA42B ENCLOSURE	470ZM-B9	7	N/A
MicroVAX 3100 MODEL 85, SYSTEM BUILDING BLOCK, KA55 CPU KERNEL, BA42B ENCLOSURE, 16 MB	46ZBM-A9	8	N/A
MicroVAX MODEL 85, SYSTEM BUILDING BLOCK, KA55 CPU KERNEL, BA42B ENCLOSURE, 64 MB	46ZBM-B9	8	N/A
MicroVAX 3100 MODEL 95, SYSTEM BUILDING BLOCK, KA51 NVAX CPU KERNEL BA42B ENCLOSURE, 16MB	48ZBM-C9	10	N/A
MicroVAX 3100 MODEL 95, SYSTEM BUILDING BLOCK, KA51 NVAX CPU KERNEL, BA42B ENCLOSURE, 64 MB	48ZBM-D9	10	N/A
MicroVAX 3100 MODEL 96, SYSTEM BUILDING BLOCK, KA56 NVVAX CPU KERNEL, BA42B ENCLOSURE, 16 MB	49ZBM-A9	11	N/A

INDEX BY DIGITAL PART DESCRIPTION
MicroVAX 3100 MODELS 30/40/80/85/90/95/96

DESCRIPTION	PART NO.	FIG. NO.	ITEM NO.
MicroVAX 3100 MODEL 96, SYSTEM BUILDING BLOCK, KA56 NVAX CPU KERNEL, BA42B ENCLOSURE, 64 MB	49ZBM-B9	11	N/A
MicroVAX 3100 Model 90 SYSTEM BUILDING BLOCK, KA50 NVAX CPU KERNEL, BA42B ENCLOSURE, 16 MB	47ZBM-A9	9	N/A
MicroVAX 3100 Model 90 SYSTEM BUILDING BLOCK, KA50 NVAX CPU KERNEL, BA42B ENCLOSURE	47ZBM-B9	9	N/A
MicroVAX MODEL 30 SYSTEM BUILDING BLOCK, KA45 CPU KERNEL, BA42A ENCLOSURE	450ZN-B9	1	N/A
MODULE ASSEMBLY, CPU 16 MB MEMORY	70-29672-01	9	27
MODULE ASSEMBLY, CPU 16 MB MEMORY	70-29672-03	10	27
MODULE ASSEMBLY, CPU 16 MB MEMORY	70-29672-03	11	27
MODULE ASSEMBLY, CPU 64 MB MEMORY	70-29672-02	9	28
MODULE ASSEMBLY, CPU 64 MB MEMORY	70-29672-04	10	28
MODULE ASSEMBLY, CPU 64 MB MEMORY	70-29672-04	11	28
MODULE ASSEMBLY, CPU 8MB MEMORY	70-29670-01	7	26
MODULE ASSEMBLY, SOC CPU	54-20654-01	1	17
MODULE ASSEMBLY, SOC CPU	54-20654-01	4	18
Module, ECC Memory, 16 MB	MS44L-BC	11	27A
Module, (4) ECMB Parity Memory Option	MS44-CA	10	28A
Module, (4) ECMB Parity Memory Option	MS44-CA	9	28A
Module, (4) ECMB Parity Memory Option	MS44L-AA	10	27A
Module, (4) ECMB Parity Memory Option	MS44L-AA	9	27A
Module, CPU Assembly	54-20652-01	7	26B
Module, CPU Assembly	54-21797-01	10	27B
Module, CPU Assembly	54-21797-01	10	28B
Module, CPU Assembly	54-21797-01	9	27B
Module, CPU Assembly	54-21797-01	9	28B
Module, CPU Assembly	54-21797-03	11	27B
Module, CPU Assembly	54-21797-03	11	28B
Module, ECC Memory, 16 MB	MS44L-BC	8	4
Module, ECC Memory, 64 MB	MS44-DC	11	28A
Module, ECC Memory, 64 MB	MS44-DC	8	3
Module, ECMB Parity Memory Option	MS44L-AA	7	26A
Module, NVAX CPU, 128K Cache, 16NS, SCSI	54-21797-04	8	22
Package Assembly	37-01106-01	10	18
Package Assembly	37-01106-01	11	18
Package Assembly	37-01106-01	4	17
Package Assembly	37-01106-01	7	17
Package Assembly	37-01106-01	9	18
Package Assembly	37-01106-08	8	21
Package Assembly	37-01107-01	1	16
Power Supply Assembly, 166 Watts 120V/240V	30-35042-01	9	8
Power Supply Assembly, 166 Watts, 120V/240V	30-35042-01	10	8
Power Supply Assembly, 166 Watts, 120V/240V	30-35042-01	11	8
Power Supply Assembly, 166 Watts, 120V/240V	30-35042-01	4	9
Power Supply Assembly, 166 Watts, 120V/240V	30-35042-01	7	9
Power Supply Assembly, 166 Watts, 120V/240V	30-35042-01	8	11
Power Supply, 122W Auto Select 100V/120V, 220V/240V	H7083-AA	1	2
Rivet, Repetition Clinch .125	90-00052-01	5	7
Rivet, Repetition Clinch .125 DIA	90-00052-01	2	7
Screw, Self-Tap Flat Hd No. 4-20 x 3/16	90-10411-01	3	3
Screw, Self-Tap Flat Hd No. 4-20 x 3/16	90-10411-01	6	3
Screw, Sems Pan Hd No 4-40 x .375 XRCS	90-09643-00	8	33

INDEX BY DIGITAL PART DESCRIPTION
MicroVAX 3100 MODELS 30/40/80/85/90/95/96

DESCRIPTION	PART NO.	FIG. NO.	ITEM NO.
Screw, Sems Pan Hd No 4-40 x 3/8	90-09643-00	10	31
Screw, Sems Pan Hd No 4-40 x 3/8	90-09643-00	11	31
Screw, Sems Pan Hd No 4-40 x 3/8	90-09643-00	4	29
Screw, Sems Pan Hd No 4-40 x 3/8	90-09643-00	7	29
Screw, Sems Pan Hd No 4-40 x 3/8	90-09643-00	9	31
Screw, Sems Pan Hd No. 4-40 x .375	90-09643-00	1	26
Screw, Sems Pan Hd No. 6-32 x .312	90-09984-07	1	27
Screw, Sems Pan Hd No. 6-32 x .312 XRCS	90-09984-07	8	34
Screw, Sems Pan Hd No. 6-32 x 5/16	90-09984-07	10	32
Screw, Sems Pan Hd No. 6-32 x 5/16	90-09984-07	11	32
Screw, Sems Pan Hd No. 6-32 x 5/16	90-09984-07	4	30
Screw, Sems Pan Hd No. 6-32 x 5/16	90-09984-07	7	30
Screw, Sems Pan Hd No. 6-32 x 5/16	90-09984-07	9	32
Sheet, CPU Insulation	12-39980-01	2	3
Sheet, CPU Insulation	12-39980-01	5	3
Shelf, Lower Drive Assembly	70-27108-01	10	23
Shelf, Lower Drive Assembly	70-27108-01	11	23
Shelf, Lower Drive Assembly	70-27108-01	4	23
Shelf, Lower Drive Assembly	70-27108-01	7	22
Shelf, Lower Drive Assembly	70-27108-01	8	27
Shelf, Lower Drive Assembly	70-27108-01	9	23
Shelf, Lower Drive Assembly	70-28537-01	1	22
Shelf, Upper Drive Assembly	70-27109-01	10	24
Shelf, Upper Drive Assembly	70-27109-01	11	24
Shelf, Upper Drive Assembly	70-27109-01	4	24
Shelf, Upper Drive Assembly	70-27109-01	7	23
Shelf, Upper Drive Assembly	70-27109-01	8	28
Shelf, Upper Drive Assembly	70-27109-01	9	24
Tee, BNC Coax	12-25869-01	1	19B
Tee, BNC Coaxial	12-25869-01	10	20B
Tee, BNC Coaxial	12-25869-01	11	20B
Tee, BNC Coaxial	12-25869-01	4	20
Tee, BNC Coaxial	12-25869-01	7	19B
Tee, BNC Coaxial	12-25869-01	8	24B
Tee, BNC Coaxial	12-25869-01	9	20B

L

INDEX BY DIGITAL PART DESCRIPTION
MicroVAX 3100 MODELS 30/40/80/85/90/95/96

DESCRIPTION	PART NO.	FIG. NO.	ITEM NO.
-------------	----------	-------------	-------------

THIS PAGE INTENTIONALLY LEFT BLANK