

PowerStorm 1000
Graphics Assembly

Illustrated Parts Breakdown

Order Number: EK-P1000-IP. A01

Digital Equipment Corporation
Maynard, Massachusetts

Digital Equipment Corporation reserves the right, without notice, to make substitutions and modifications in the specifications of products documented in this manual and further reserves the right to withdraw any of these products from the market without notice.

Digital Equipment Corporation is not responsible for errors which may appear in the technical description (including illustrations and photographs) of the products covered by this manual.

None of the descriptions contained in this manual imply the granting of any license whatsoever to make, use or sell equipment constructed in accordance therewith.

Restricted Rights: Use, duplication or disclosure by the U.S. Government is subject to restrictions as set forth in subparagraph (c) (1) (ii) of the Rights in Technical Data and Computer Software clause at DFARS 252.227-2713.

Copyright © 1998 by Digital Equipment Corporation. All rights reserved.
Printed in U.S.A.

The following are trademarks of Digital Equipment Corporation :
Alpha, AlphaServer, DIGITAL, Open VMS, PowerStorm, ThinWire and the DIGITAL logo.

The following are third party trademarks:
IBM is a registered trademark of International Business Machines, Inc.
Microsoft and Windows NT are registered trademarks of Microsoft Corporation.
UNIX is a registered trademark in the United States and other countries, licensed exclusively through X/Open Company Ltd.

Reader's Comments

DIGITAL welcomes your comments on this manual.
You can send your comments to DIGITAL at the address below:

Digital Equipment Corporation
Servers Engineering and Technical Services
129 Parker Street
PKO3- 1/20C
Maynard, MA 01754-2199

Please reference EK-P1000-IP. A01 in your correspondence.

ILLUSTRATED PARTS BREAKDOWN

PowerStorm 1000 Graphics Assembly

ILLUSTRATED PARTS BREAKDOWN (IPB)

The IPB is used to identify a part and its location in a hardware product. The document references specific item numbers in the associated parts list.

HOW TO USE THE IPB

1. Locate the figure containing the item of interest.
2. Locate the number (callout) of the item of interest.
3. Locate that item number in the associated parts list.

FORMAT

Each IPB is generally organized based on its first figure. All other assemblies and subassemblies are referenced from this figure. Each figure contains numeric callouts of all major parts (items).

PARTS LIST

Each parts list contains the following:

Figure and Item No. - Lists the figure number and its referenced numeric callout

Description - Presents the name and a brief description of the item. A single asterisk (*) preceding the description denotes item is a

subassembly to its referenced figure. A double asterisk (**) preceding the description indicates that this item is subordinate to the preceding single asterisk item.

Part No. - Lists the DIGITAL/Vendor part number. The letter in the column heading indicates the current revision level of the Engineering Drawing for the referenced figure.

ECO Cut-In - Lists the top assembly drawing number and revision level at first printing. All additional revisions to an item are listed in this column.

Used On Code - Lists letters referring to the product variation assigned in Figure 1. When this column is blank, the item is used in all variations.

Ref Fig No. - Lists a cross reference between figures within the IPB.

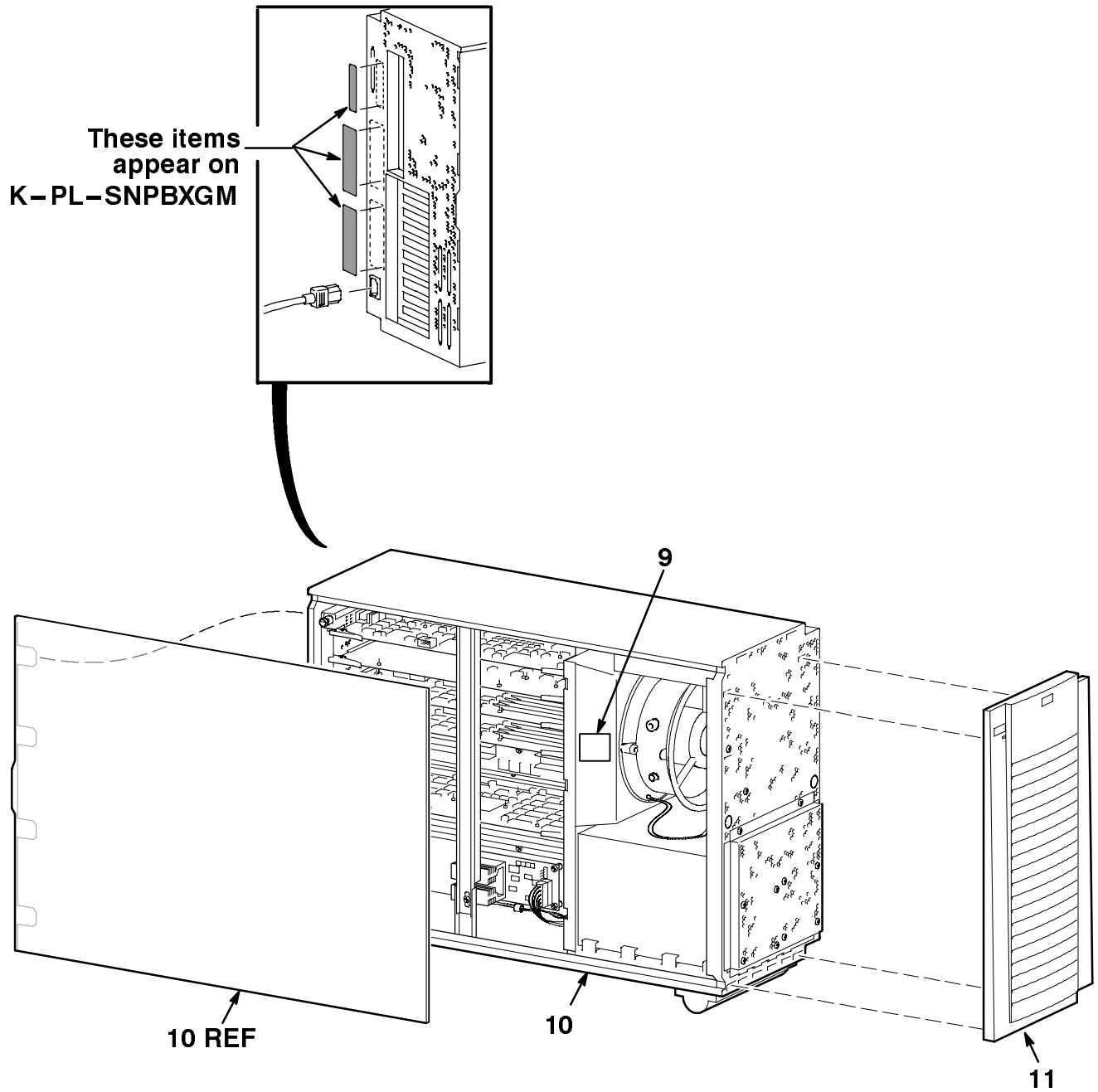
PART NUMBER/PART DESCRIPTION INDEX SECTION

Lists items by part number numerically, and description alphabetically. Items are also referenced to a location within the IPB by figure and item number.

ECO/REVISION HISTORY					OTHER IPB MANUALS REFERENCED
FIGURE NO.	ASSEMBLY	INITIAL LEVEL	CURRENT LEVEL	PRINTING DATE	
1	70-33390	00000	00000	Sept 1998	N/A

☞ ☞ INDICATES FRU LEVEL PARTS.

PARTS LIST

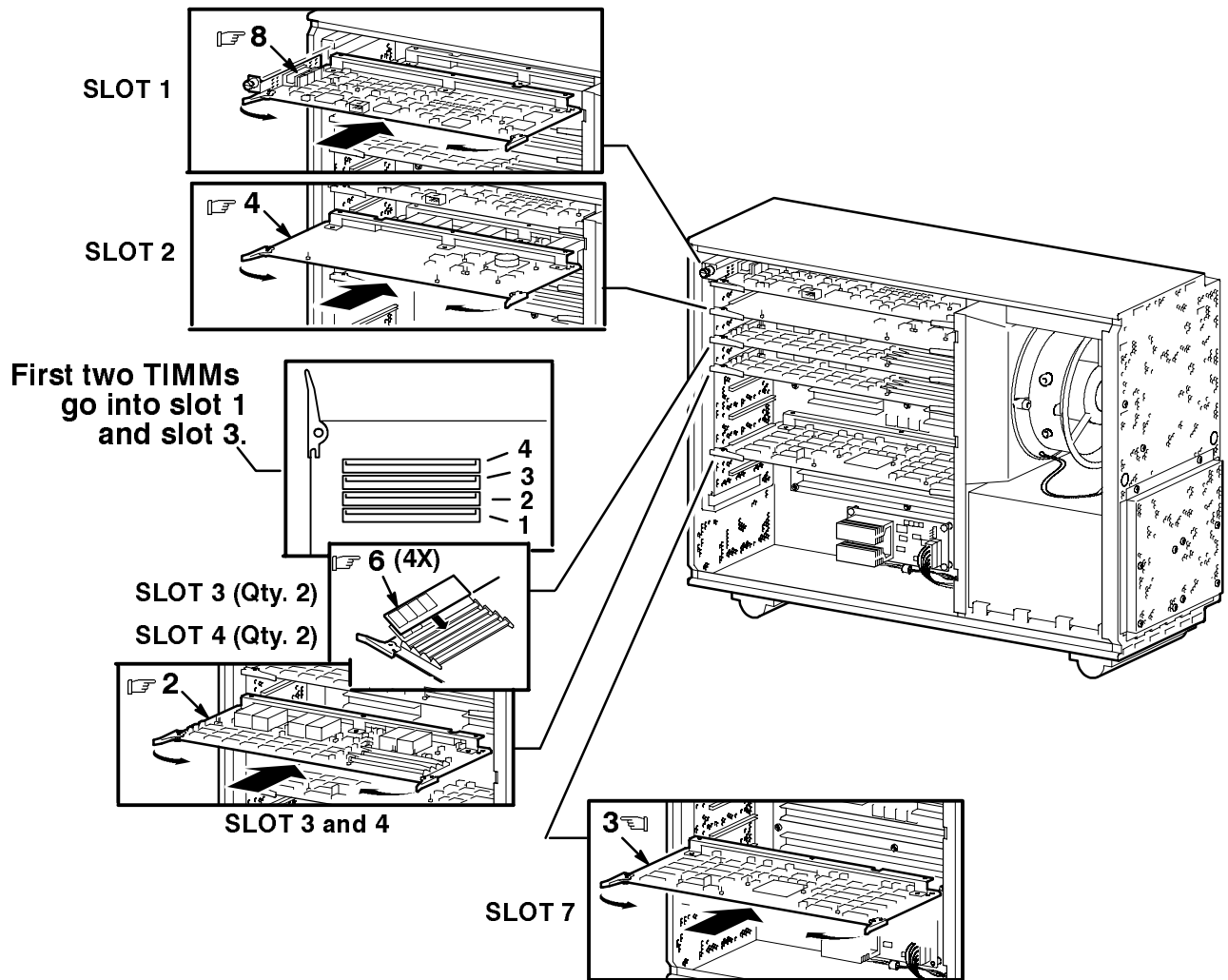


IP-7033390-01

PowerStorm 1000 Graphics Assembly (Sheet 1 of 6)

INDICATES FRU LEVEL PARTS.

PARTS LIST

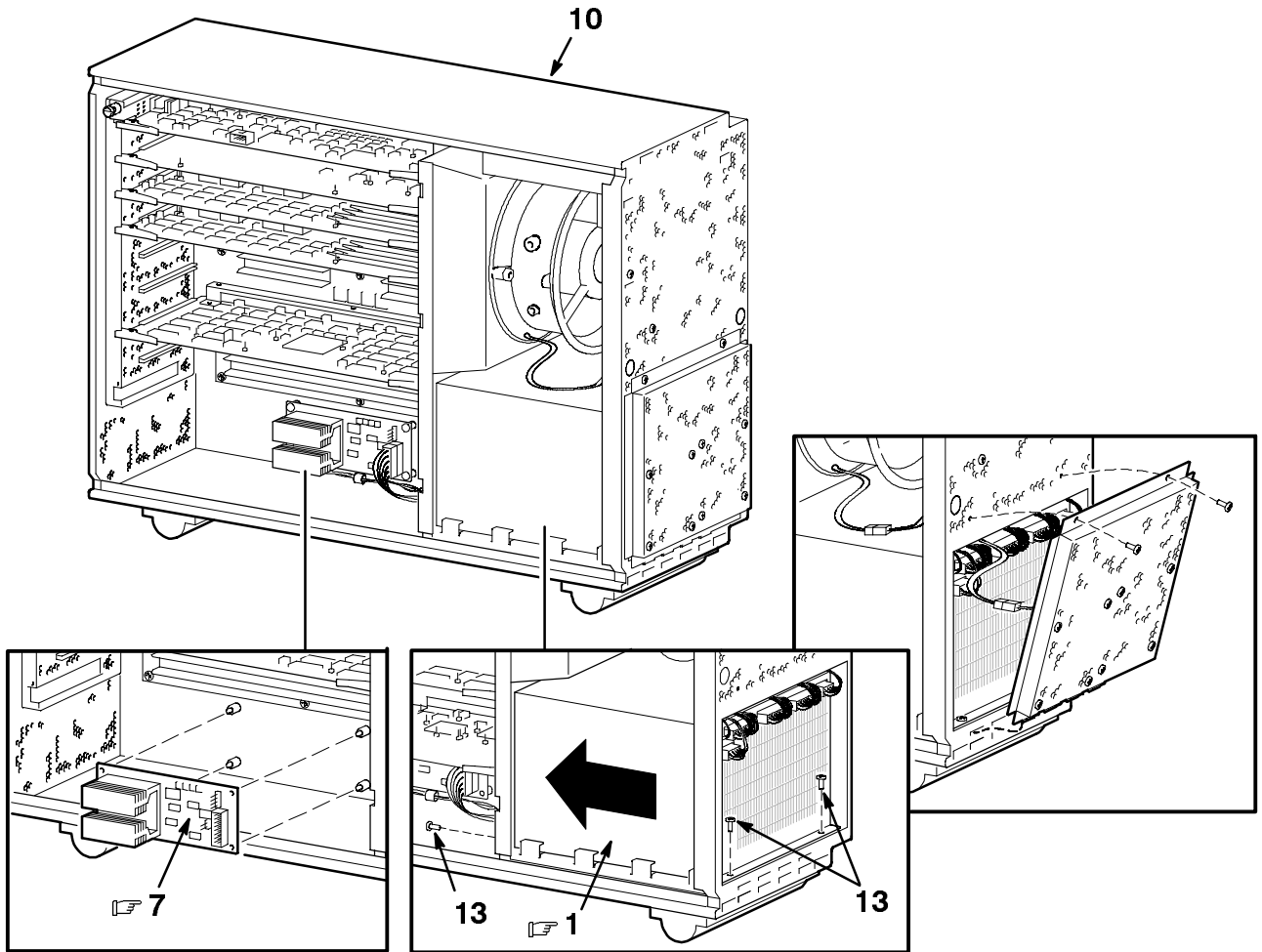


IP-7033390-02

PowerStorm 1000 Graphics Assembly (Sheet 2 of 6)

☞ ☞ INDICATES FRU LEVEL PARTS.

PARTS LIST



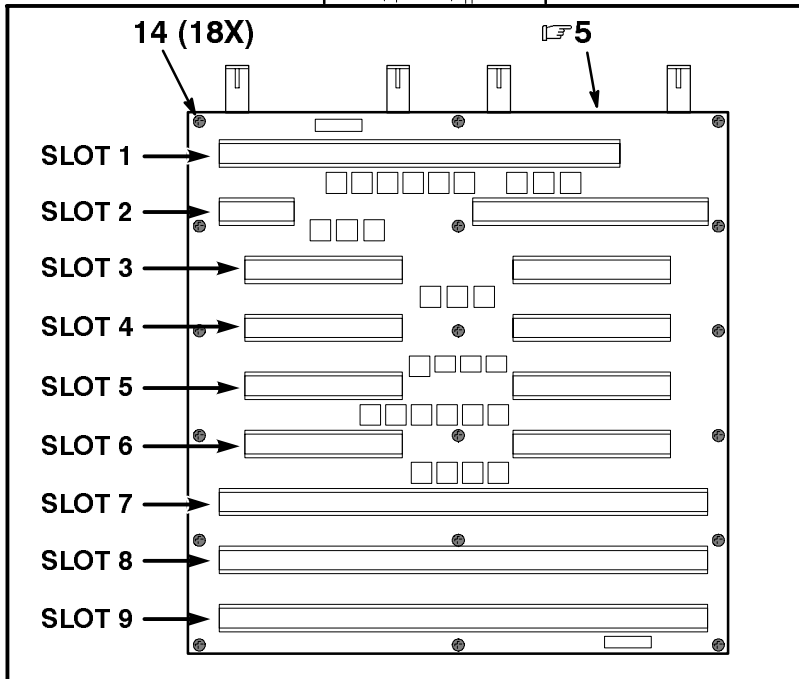
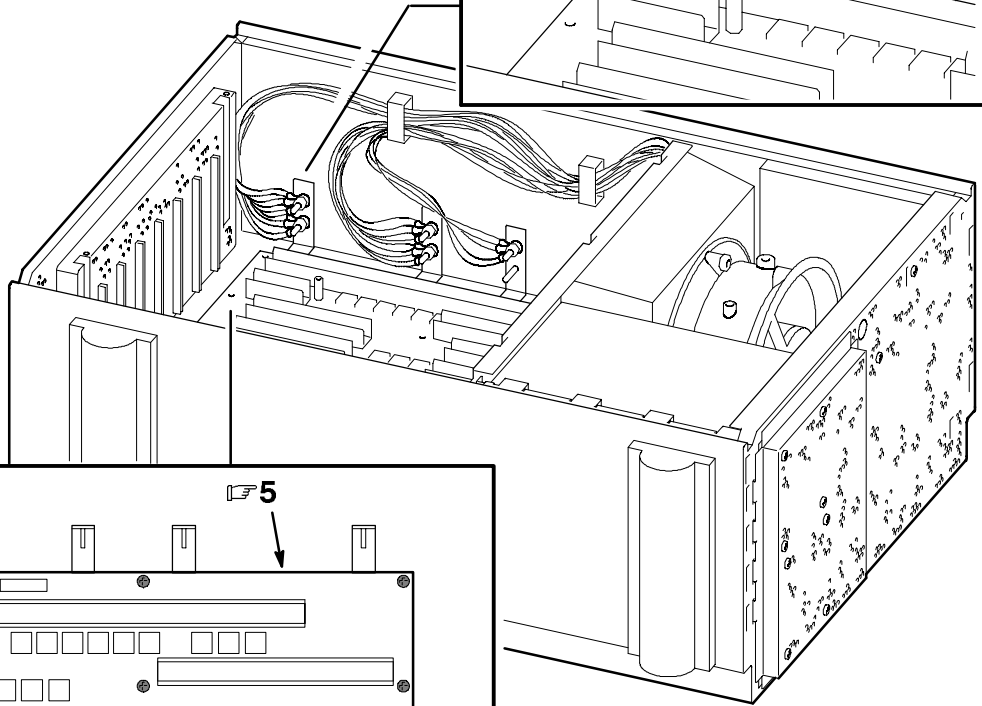
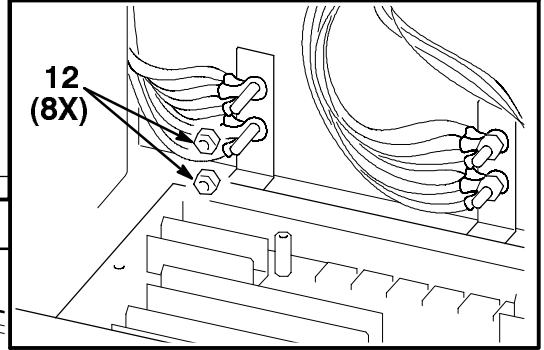
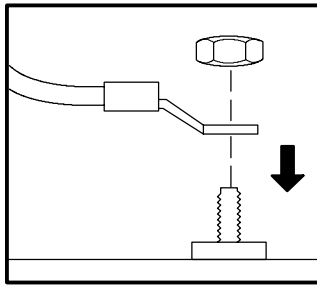
IP-7033390-03

PowerStorm 1000 Graphics Assembly (Sheet 3 of 6)

INDICATES FRU LEVEL PARTS.

PARTS LIST

TYPICAL LUG INSTALLATION
ON BUS BAR



IP-7033390-04

PowerStorm 1000 Graphics Assembly (Sheet 4 of 6)

☞ ☞ INDICATES FRU LEVEL PARTS.

PARTS LIST



(REFERENCE) MODULE LOCATIONS TABLE

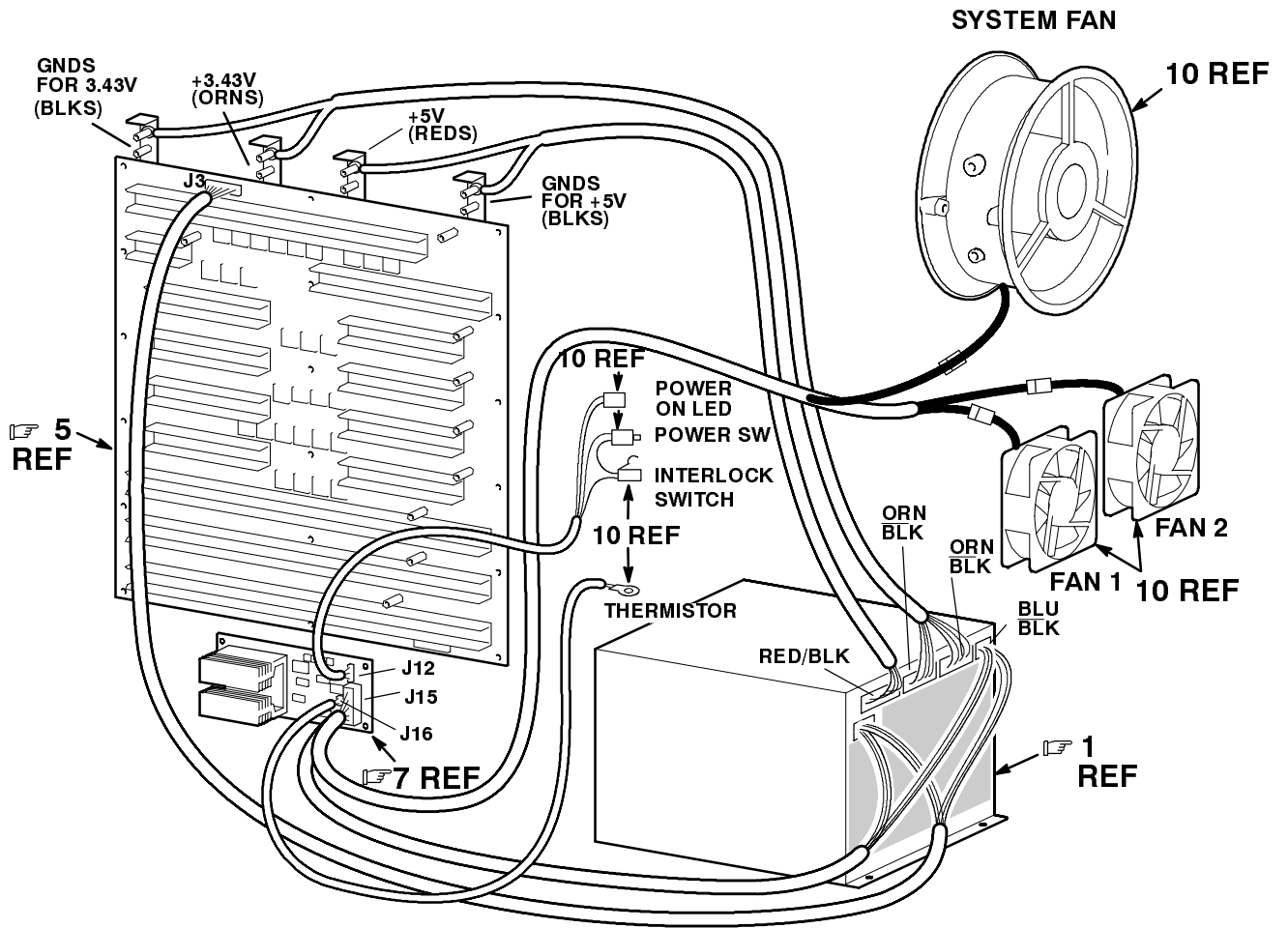
SLOT #	MODULE P/N	DESCRIPTION
1	30--49346-01	GRAPHICS INTERFACE (GIM)
2	30--48916-01	VERTEX (VXM)
3	30--48913-01	IMAGE RENDERING (IRM)
4	30--48913-01	IMAGE RENDERING (IRM)
5	30--48913-01	IMAGE RENDERING (IRM) (OPTIONAL)
6	30--48913-01	IMAGE RENDERING (IRM) (OPTIONAL)
7	30--48914-01	VIDEO MEMORY (VMM)
8	30--48914-01	VIDEO MEMORY (VMM) (OPTIONAL)
9	30--48915-01	STANDARD RESOLUTION (SRM)
	OR 30--48921-01	HIGH RESOLUTION (HRM)

IP-7033390-05

PowerStorm 1000 Graphics Assembly (Sheet 5 of 6)

☞ ☞ INDICATES FRU LEVEL PARTS.

PARTS LIST



IP-7033390-06

PowerStorm 1000 Graphics Assembly (Sheet 6 of 6)

FIG. & ITEM NO.	DESCRIPTION	DIGITAL PART NO. ^A	ECO CUT-IN 70-33390 00000	USED ON CODE	REF FIG NO.
1-	PowerStorm 1000 GRAPHICS ASSEMBLY	70-33390-01			1
1	*Power Supply, 92-264 VAC Input	30-44712-01			
2	*Module, Image Rendering (IRM)	30-48913-01			
3	*Module, Video Memory (VMM)	30-48914-01			
4	*Module, Vertex (VXM)	30-48916-01			
5	*Module, Motherboard (RMB)	30-48918-01			
6	*Module, Texture Memory (TMM)	30-48919-01			
7	*Module, Power Control (PCM)	30-48920-01			
8	*Module, Graphics Interface	30-49346-01			
9	*Label, Warning Fan Tray	36-36855-01			
10	*Chassis Assembly	70-33327-01			
11	*Bezel Assembly	70-33331-01			
12	*Nut, Keps No. 10-32 x .375	90-06565-00			
13	*Screw, Sems M4 x 0.7 x 8mm	90-09984-19			
14	*Screw, Sems M3 x 0.5 x 6mm	90-09984-20			