

# ILLUSTRATED PARTS BREAKDOWN

# DECpc AXP/150 DEC 2000 AXP Model 300

**ILLUSTRATED PARTS BREAKDOWN (IPB)**

The IPB is used to identify a part and its location in a hardware product. The document references specific item numbers in the associated parts list.

**HOW TO USE THE IPB**

1. Locate the figure containing the item of interest.
2. Locate the number (callout) of the item of interest.
3. Locate that item number in the associated parts list.

**FORMAT**

Each IPB is generally organized based on its first figure. All other assemblies and subassemblies are referenced from this figure. Each figure contains numeric callouts of all major parts (items).

**PARTS LIST**

Each parts list contains the following:

**Figure and Item No.** – Lists the figure number and its referenced numeric callout

**Description** – Presents the name and a brief description of the item. A single asterisk (\*) preceding the description denotes item is a

subassembly to its referenced figure. A double asterisk (\*\*) preceding the description indicates that this item is subordinate to the preceding single asterisk item.

**Digital Part No.** – Lists the Digital/Vendor part number. The letter in the column heading indicates the current revision level of the Engineering Drawing for the referenced figure.

**ECO Cut-In** – Lists the top assembly drawing number and revision level at first printing. All additional revisions to an item are listed in this column.

**Used On Code** – Lists letters referring to the product variation assigned in Figure 1. When this column is blank, the item is used in all variations.

**Ref Fig No.** – Lists a cross reference between figures within the IPB.

**PART NUMBER/PART DESCRIPTION INDEX SECTION**

Lists items by part number numerically, and description alphabetically. Items are also referenced to a location within the IPB by figure and item number.

**ECO/REVISION HISTORY**

**OTHER IPB  
MANUALS  
REFERENCED**

FIGURE NO.	ASSEMBLY	INITIAL LEVEL	CURRENT LEVEL	PRINTING DATE	OTHER IPB MANUALS REFERENCED
1	PB2XX	00000	00000	15-SEPT-93	N/A
2	PB22H	00000	00000		
3	70-29531	00000	00000		

Digital Equipment Corporation reserves the right, without notice, to make substitutions and modifications in the specifications of products documented in this manual and further reserves the right to withdraw any of these products from the market without notice.

Digital Equipment Corporation is not responsible for errors which may appear in the technical description (including illustrations and photographs) of the products covered by this manual.

None of the descriptions contained in this manual imply the granting of any license whatsoever to make, use or sell equipment constructed in accordance therewith.

Restricted Rights: Use, duplication or disclosure by the U.S. Government is subject to restrictions as set forth in subparagraph (c) (1) (ii) of the Rights in Technical Data and Computer Software clause at DFARS 252.227-2713.

Copyright © 1993 by Digital Equipment Corporation. All rights reserved.  
Printed in U.S.A.

The postage-paid READER'S COMMENTS form on the last page of this document requests your critical evaluation to assist us in preparing future documentation.

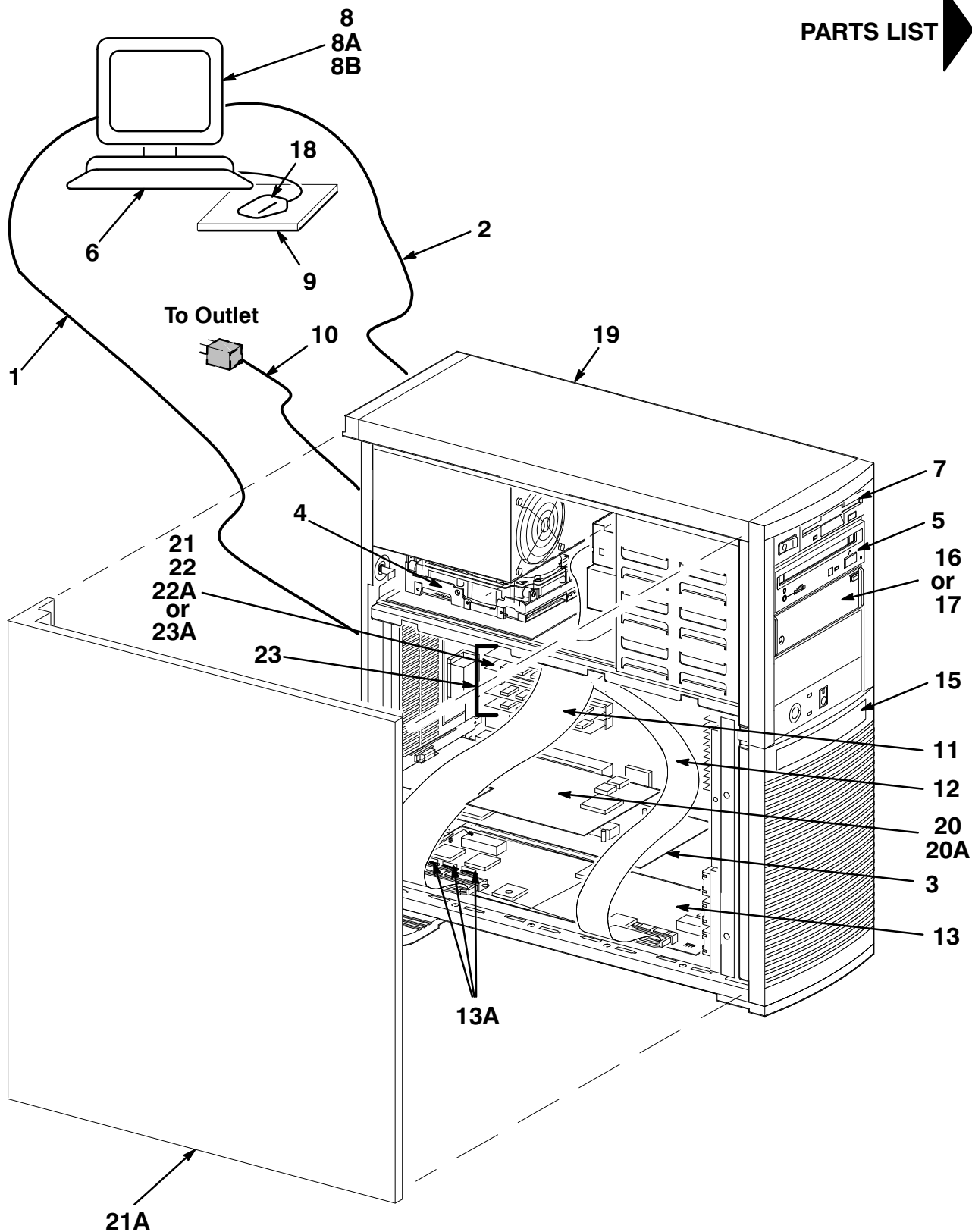
The following are trademarks of Digital Equipment Corporation :

---

Alpha AXP, DECdirect, and the DIGITAL logo, OpenVMS.

---

NT is a registered trademark of Microsoft Corporation, OSF/1 is a registered trademark of the Open Software Foundation Incorporated, Qvision is a registered trademark of COMPAQ Computer Corporation.



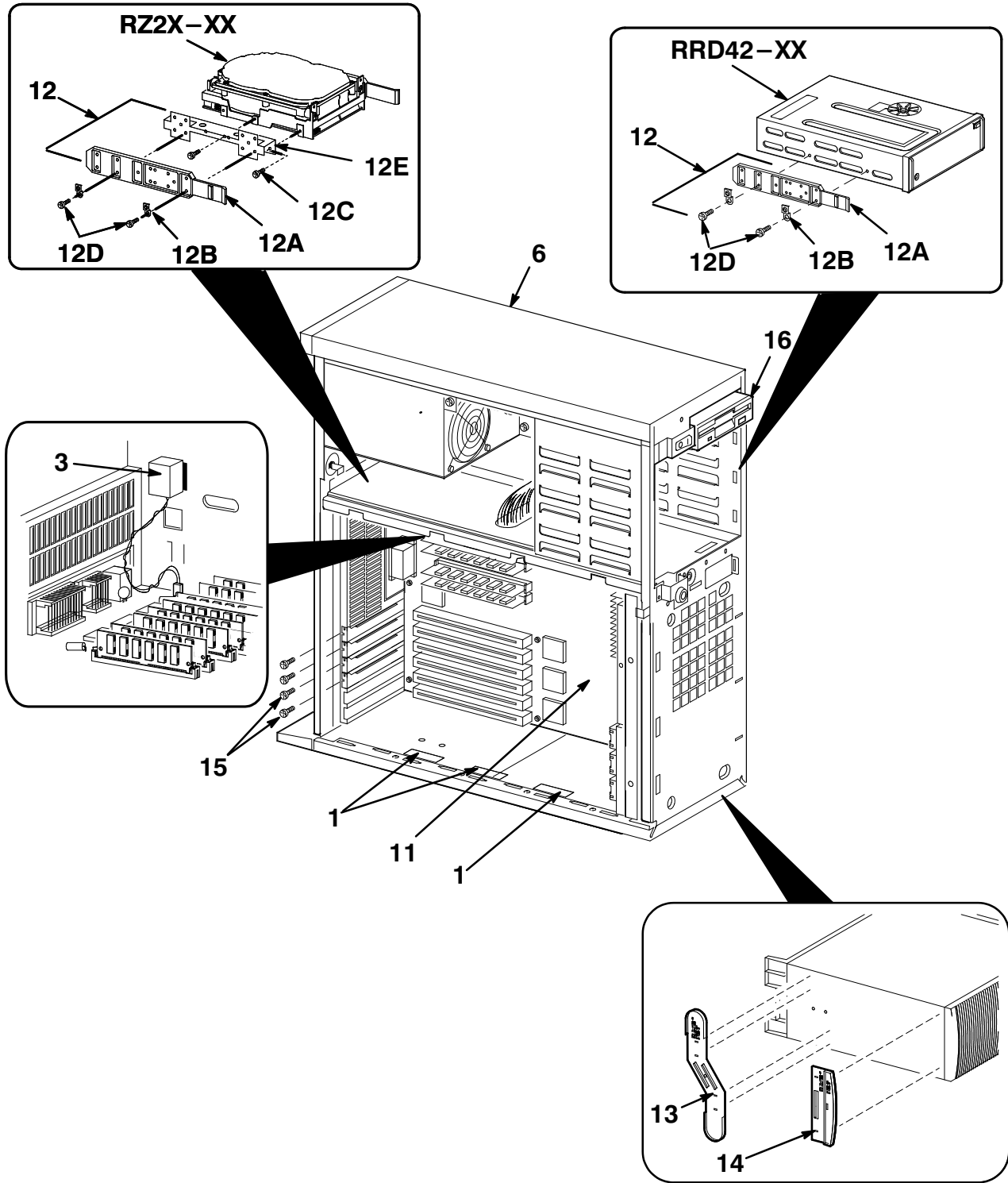
PB220-01-IL

Figure 1. DECpc AXP/150, DEC 2000 AXP Model 300

FIG.& ITEM NO.	DESCRIPTION	DEC PART NO.	VENDOR PART NO.	USED ON CODE	REF FIG NO.
1-	DECpc AXP/150 (Windows NT PC/Server) DEC 2000 AXP Model 300 (OSF/1 Server) DEC 2000 AXP Model 300 (OpenVMS Server)	PB22X-XX PB22B-XX PB23X-XX		A B C	
	Code A - PB22X-XX Code B - PB22B-XX Code C - PB22B-XX	PB220-XX PB22B-XX PB23X-XX		A B C	
1	*Cable, PC Video	BC13L-10			
2	*Cable, 3.5 M PC (17-00083-39)	BNE4H-2E			
3	*KIT, MULTIPLEXOR, 32 BIT ETHERNET EISA	PB2CA-AA			
3A	**Connector, Loopback (Not Shown)	H4082-AA			
3B	**Tee, COAX BNC (Not Shown)	12-25869-01			
3C	**Connector, COAX BNC 500 OHMS (N/S)	12-26318-01			
3D	**Module Assembly, DE422-SA (N/S)	70-30030-01			
4	*KIT, DISK DRIVE, 245 MB SCSI (W/MOUNTING HARDWARE)	PB2RA-AA			
4A	**Disk Drive, RZ24 (3.5") (Not Shown)	RZ24L-E			
4B	**Bracket, Drive EXP (3.5 to 5.25") (N/S)	74-44337-01			
4C	**Screw, Pan Hd Machine No. 6-32 x 3/16 (Not Shown)	90-08020-01			
5	*KIT, CD-ROM, 5 1/4" SCSI 600 MB	PB2SA-AA			
5A	**CD-ROM, RRD42 (Not Shown)	RRD42-AA			
5B	**Caddy, CD-ROM Drive (Not Shown)	30-34512-01			
6	*Keyboard, DEC PC	PCXAL-XX			
7	*Drive, 2.8 MB 3 1/2" Diskette (See Note 1)	RX26-AA			
8	*Monitor, 14" Color VGA (1024 x 768 LE/MF, Northern/Southern Hemisphere)	PC7XV-XX			
8A	*Monitor, 17" Color VGA (1280 x 1024 LE/MF, 72 Hz, Northern/Southern Hemisphere)	VRC16-XX		BC	
8B	*Monitor, 19" Color SVGA (1280 x 1024 LE/MF, 120V/240V, Northern/Southern Hem.)	PCXAV-XX		BC	
9	*Pad, Mouse (Grey)	VSXXX-EA			
10	*Cord, Power	17-00365-XX			
11	*Cable Assembly, 34 Cond Flat, Ribbon	17-03458-01			
12	*Cable Assembly, 50 Cond Flat, Ribbon	17-03459-01			
13	*Module, Adaptec Controller	30-40383-01			
14	*Label, License Agreement (Not Shown)	36-38668-01			
15	*Medallion	74-44798-07			
	NOTE 1: Item 7 is part of Figure 2, here for clarity.				

FIG. & ITEM NO.	DESCRIPTION	DEC PART NO.	VENDOR PART NO.	USED ON CODE	REF FIG NO.
1-	TAPE DRIVE KITS				
16	*KIT, TAPE DRIVE DECpc AXP/150	PB2TA-AA		A	
16A	**DAT Drive, 4 GB 4mm 5.25 Inch HH EMB (Not Shown)	TLZ06-BA			
16B	**Cartridge, Cleaning (for TLZ06) (Not Shown)	TLZ06-XX			
17	*KIT, TAPE DRIVE DECpc AXP/150	PB2TA-BA		A	
17A	**Tape Drive, 525 MB w/SCSI (Not Shown)	TZK10-AA			
17B	**Media, 525 MB for TZK10 Tape Drive (N/S)	TZK1X-CC			
17C	**Cartridge, Cleaning (for TZK10) (N/S)	TZK1X-HA			
18	*Mouse, PC 2 Compatible	30-34905-04			
19	*KERNEL ASSEMBLY	PB22H-CX			2
20	*KIT, VGA VIDEO EISA	PB2GA-AA			
20A	**Module, COMPAQ QVISION Graphics	30-40385-01			
21	*Module, Memory ME524	PB2MA-BD			
21A	*Cover Assembly, Side (See Note 2)	70-29533-01			
	MEMORY OPTIONS				
22	*KIT, MEMORY DECpc AXP/150 (4 MB)	PB2MA-BD			
22A	**Module, Memory 4 MB 70 ns w/parity	ME524-DE			
23	*KIT, MEMORY DECpc AXP/150 (16 MB)	PB2MA-BF			
23A	**Module, Memory 16 MB 70 ns w/parity	ME544-DE			
	Items Not Shown				
	*WNT OS HW MM SHRINK-WRAP PKG.	QB-QRAA-SA			
	*KIT, CPU EISA	PB22H-KB			
	**Module, EV4 ns CPU, EISA (70-29685-01)	54-20674-01			
	**Label, Direct Thermal	36-28231-07			
	**Packaging	37-01382-02			
	NOTE 2: Item 21A is part of Figure 3, shown here for clarity.				

THIS PAGE INTENTIONALLY LEFT BLANK

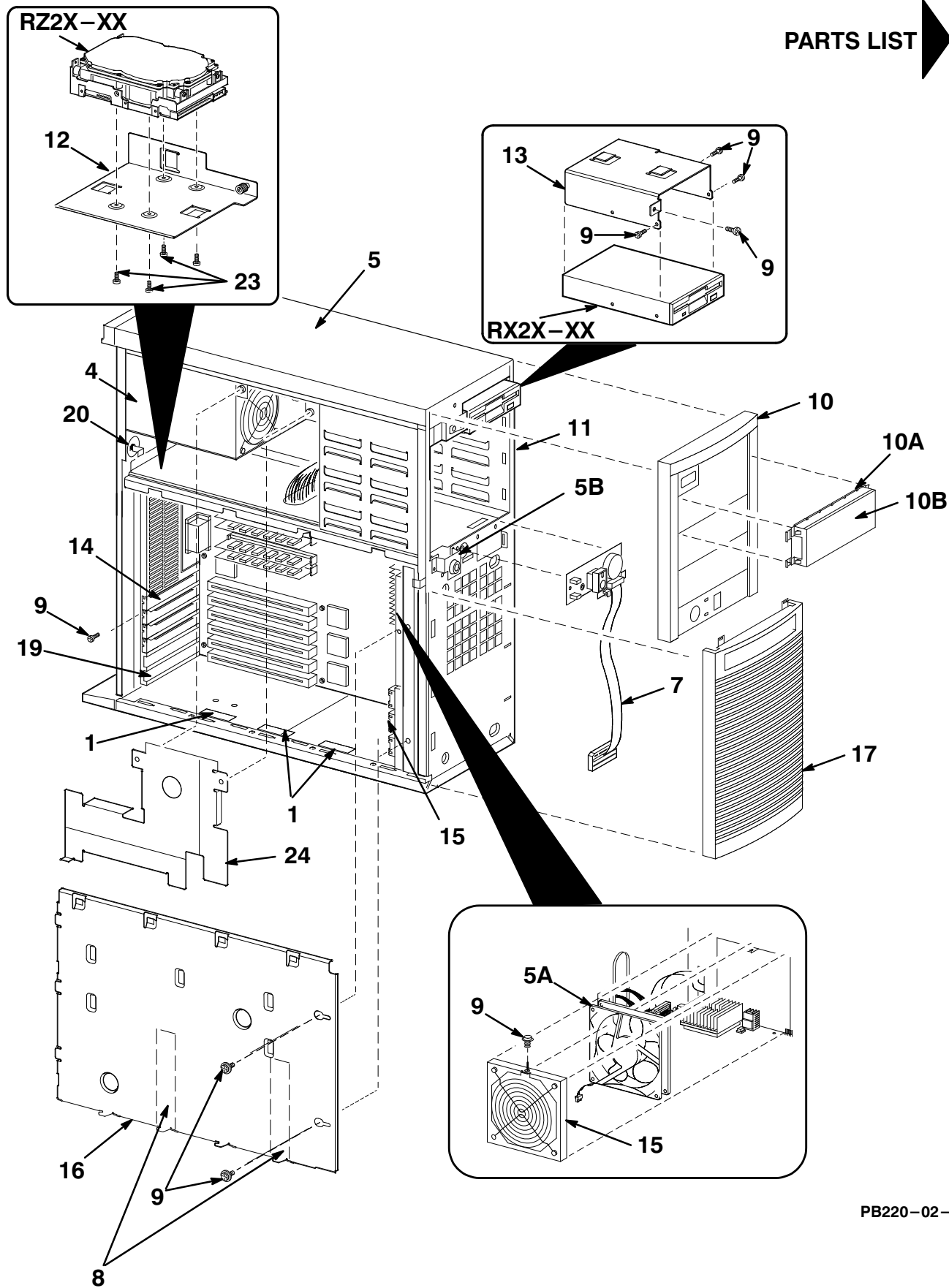


PB220-02-IL

Figure 2. Kernal Assembly

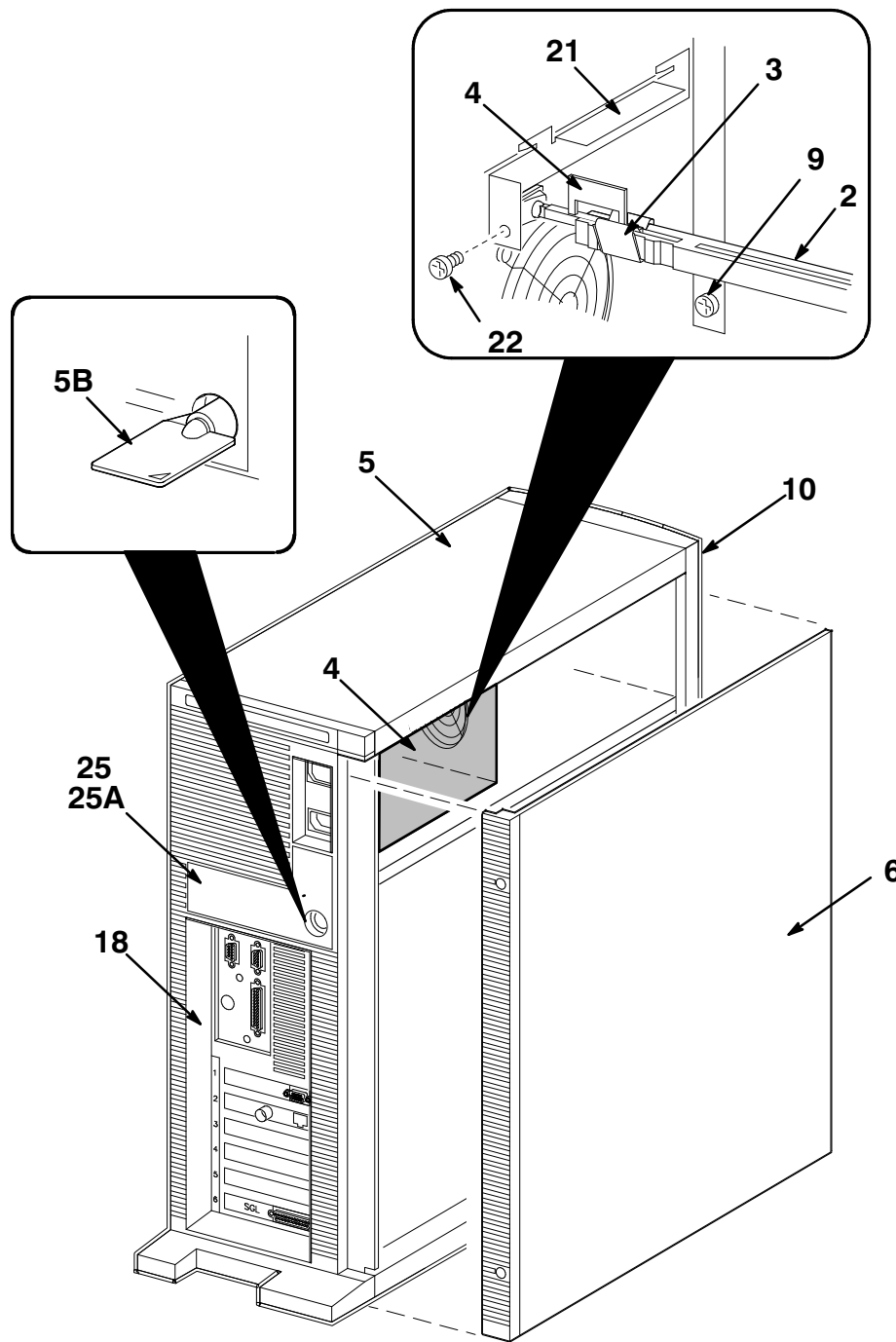
FIG. & ITEM NO.	DESCRIPTION	DEC PART NO.	VENDOR PART NO.	USED ON CODE	REF FIG NO.
2-	KERNEL ASSEMBLY	PB22H-CX			1
1	*Fingerstock (2.22 Inch)	12-24180-02			
2	*Strap, Wrist Grounding (Not Shown)	23-36175-01			
3	*Battery Pack, 4.5 V	12-38597-01			
4	*Ferrite Bead (Not Shown)	16-25105-16			
5	*Ferrite Bead (Not Shown)	16-25105-18			
6	*ENCLOSURE ASSEMBLY (70-29531-01)	30-39861-01	540152-004		3
7	*Label, Regulatory (Made in Kanata) (See Note 3)	36-41019-03			
7	*Label, Regulatory (Made in UK)(See Note 3)	36-41019-02			
8	**Label, CE Mark (See Note 3)	36-36842-01			
9	*Screwdriver, Flat Head (Not Shown)	47-00042-00			
10	*Screwdriver, Phillips Head (Not Shown)	47-00043-01			
11	*Module, EV4 ns CPU, EISA (70-29685-01)	54-20674-01			
12	*KIT, DRIVE HARDWARE	70-29557-01			
12A	**Rail, Mounting	74-44801-01			
12B	**Clip, Ground	74-44943-01			
12C	**Screw, Phi Pan Hd No. 6-32 x 3/16	90-08020-01			
12D	**Screw, Mach. Phi Pan Hd. No. 6-32 x 1/4	90-00038-19			
12E	**Bracket, Drive Expander	74-44337-01			
13	*Foot, Rear	74-44799-01			
14	*Foot, Front	74-44800-01			
15	*Screw, Sems Phi Pan Hd No. 6-32 x 5/16	90-09984-07			
16	*Disk Drive, RX26 Floppy (2.8 MB, 3.5 Inch)	RX26-AA			
17	*Diskette, Floppy (3.5 Inch) (Not Shown)	RX26K-01			
18	*Cable, Flat Ribbon 50 Cond. (See Note 1)	17-03459-03			
19	*Cable, Flat Ribbon 34 Cond. (See Note 2)	17-03458-01			
	NOTE 1: See Figure 1, Pages 1 and 2, Item 12 for detail.				
	NOTE 2: See Figure 1, Pages 1 and 2, Item 11 for detail.				
	NOTE 3: See Figure 3, Pages 8 and 9, Items 25 and 25A for detail.				





PB220-02-IL

Figure 3. Enclosure Assembly (Sheet 1 of 2)



PB220-03A-IL

Figure 3. Enclosure Assembly (Sheet 2 of 2)

FIG. & ITEM NO.	DESCRIPTION	DEC PART NO.	VENDOR PART NO.	USED ON CODE	REF FIG NO.
3-	ENCLOSURE ASSEMBLY (70-29531-01)	30-39861-01	540152-004		2
1	*Fingerstock, EMI/RFI Ground	12-24180-02	N/A		
2	*Rocker Switch/Actuator Rod	12-38185-01	201636-001		
3	*Clip, Switch/Actuator Rod	N/A	611660-001		
4	*Power Supply (254W)	30-37197-02	516881-004		
5	*BASE/CHASSIS ASSEMBLY	70-29532-01	613343-001		
5A	**Fan	N/A	201559-002		
5B	**Dual Keylocks/Switch (W/Keys)	12-38186-01	517603-001		
6	*Cover Assembly	70-29533-01	518139-003		
7	*Control Panel Assembly	70-29534-01	517710-001		
8	*Strip, Foam (adhesive backed)	90-08214-01	N/A		
9	*Screw, Sems Phi Pan Hd No. 6-32 x 5/16	90-09984-07	108564-021		
10	*BEZEL ASSEMBLY, TOP FRONT	70-29535-01	N/A		
10A	**Shield, Leader EMI/RFI	74-44794-01	517671-002		
10B	**Panel, Filler	74-44793-01	517486-001		
11	*Chassis Weldment, Midtower	70-29536-01	516875-006		
12	*Carrier, HDU Rear	74-44784-01	516865-002		
13	*Carrier, FDU (3.5 Inch)	74-44785-01	516880-003		
14	*Panel, I/O	74-44788-01	168073-001		
15	*Clamp, Fan	74-44789-01	517621-002		
16	*Cover, Internal	74-44790-01	610364-001		
17	*Bezel, Bottom Front	74-44795-01	517485-001		
18	*Bezel, Main Rear	74-44796-01	517488-001		
19	*Guide, Card	74-47661-01	513371-001		
20	*Pawl, Rear Keylock	74-47662-01	518395-003		
21	*Retainer, Power Supply	74-47663-01	610340-001		
22	*Screw, Phi Pan Hd No. 6-32 x 3/8	90-09984-00	108564-022		
23	*Screw, Phi Pan Hd No. 6-32 x 3/16	90-08020-01	N/A		
24	*Panel, HDU Protector (F.T. units ONLY)	N/A	N/A		
25	*Label, Regulatory (Made in Kanata) (See Note)	36-41019-03	N/A		
25	*Label, Regulatory (Made in UK)	36-41019-02	N/A		
25A	**Label CE Mark	36-36842-01	N/A		
	NOTE: Items 25 and 25A, are part of Figure 2, Shown here for clarity.				
	ITEMS (Not Shown)				
	*Label, I/O	36-40019-01	N/A		
	*Label, Electrical Data	36-40018-01	517944-001		
	*Strip, Ground Spring (31 Finger)	12-19638-25	202832-001		
	*Strip, Ground Spring (31 Finger)	12-19638-26	202832-001		

**PART NUMBER/DESCRIPTION INDEX** 

**THIS PAGE INTENTIONALLY LEFT BLANK**

# INDEX BY DIGITAL/VENDOR PART NUMBER

DECpc AXP/150, DEC 2000 AXP Model 300

PART NO.	DESCRIPTION	FIG NO.	ITEM NO.
108564-021	Screw, Sems Phi Pan Hd No. 6-32 x 5/16	3	9
108564-022	Screw, Phi Pan Hd No. 6-32 x 3/8	3	22
12-19638-25	Strip, Ground Spring (31 Finger)	3	Not Shown
12-19638-26	Strip, Ground Spring (31 Finger)	3	Not Shown
12-24180-02	Fingerstock (2.22 Inch)	2	1
12-24180-02	Fingerstock, EMI/RFI Ground	3	1
12-25869-01	Tee, COAX BNC (Not Shown)	1	3B
12-26318-01	Connector, COAX BNC 500 OHMS (Not Shown)	1	3C
12-38185-01	Rocker Switch/Actuator Rod	3	2
12-38186-01	Dual Keylocks/Switch (W/Keys)	3	5B
12-38597-01	Battery Pack, 4.5 V	2	3
16-25105-16	Ferrite Bead (Not Shown)	2	4
16-25105-18	Ferrite Bead (Not Shown)	2	5
168073-001	Panel, I/O	3	14
17-00365-XX	Cord, Power	1	10
17-03458-01	Cable Assembly, 34 Cond Flat, Ribbon	1	11
17-03458-01	Cable, Flat Ribbon 34 Cond.	2	19
17-03459-01	Cable Assembly, 50 Cond Flat, Ribbon	1	12
17-03459-03	Cable, Flat Ribbon 50 Cond.	2	18
201559-002	Fan	3	5A
201636-001	Rocker Switch/Actuator Rod	3	2
202832-001	Strip, Ground Spring (31 Finger)	3	Not Shown
23-36175-01	Strap, Wrist Grounding (Not Shown)	2	2
30-34512-01	Caddy, CD-ROM Drive (Not Shown)	1	5B
30-34905-04	Mouse, PC 2 Compatible	1	18
30-37197-02	Power Supply (254W)	3	4
30-39861-01	ENCLOSURE ASSEMBLY (70-29531-01)	2	6
30-39861-01	ENCLOSURE ASSEMBLY (70-29531-01)	3	N/A
30-40383-01	Module, Adaptec Controller	1	13
30-40385-01	Module, COMPAQ QVISION Graphics	1	20A
36-28231-07	Label, Direct Thermal	1	Not Shown
36-36842-01	Label CE Mark	3	25A
36-36842-01	Label, CE Mark	2	8
36-38668-01	Label, License Agreement (Not Shown)	1	14
36-40018-01	Label, Electrical Data	3	Not Shown
36-40019-01	Label, I/O	3	Not Shown
36-41019-02	Label, Regulatory (Made in UK)	2	7
36-41019-02	Label, Regulatory (Made in UK)	3	25
36-41019-03	Label, Regulatory (Made in Kanata)	2	7
36-41019-03	Label, Regulatory (Made in Kanata)	3	25
37-01382-02	Packaging	1	Not Shown
47-00042-00	Screwdriver, Flat Head (Not Shown)	2	9
47-00043-01	Screwdriver, Phillips Head (Not Shown)	2	10
513371-001	Guide, Card	3	19
516865-002	Carrier, HDU Rear	3	12
516875-006	Chassis Welment, Midtower	3	11
516880-003	Carrier, FDU (3.5")	3	13
516881-004	Power Supply (254W)	3	4

# INDEX BY DIGITAL/VENDOR PART NUMBER

DECpc AXP/150, DEC 2000 AXP Model 300

PART NO.	DESCRIPTION	FIG NO.	ITEM NO.
517485-001	Bezel, Bottom Front	3	17
517486-001	Panel, Filler	3	10B
517488-001	Bezel, Main Rear	3	18
517603-001	Dual Keylocks/Switch (W/Keys)	3	5B
517621-002	Clamp, Fan	3	15
517671-002	Shield, Leader EMI/RFI	3	10A
517710-001	Control Panel Assembly	3	7
517944-001	Label, Electrical Data	3	Not Shown
518139-003	Cover Assembly	3	6
518395-003	Pawl, Rear Keylock	3	20
54-20674-01	Module, EV4 ns CPU, EISA (70-29685-01)	1	Not Shown
54-20674-01	Module, EV4 ns CPU, EISA (70-29685-01)	2	11
540152-004	ENCLOSURE ASSEMBLY (70-29531-01)	2	6
540152-004	ENCLOSURE ASSEMBLY (70-29531-01)	3	N/A
610340-001	Retainer, Power Supply	3	21
610364-001	Cover, Internal	3	16
611660-001	Clip, Switch/Actuator Rod	3	3
613343-001	BASE/CHASSIS ASSEMBLY	3	5
70-29532-01	BASE/CHASSIS ASSEMBLY	3	5
70-29533-01	Cover Assembly	3	6
70-29533-01	Cover Assembly, Side	1	21A
70-29534-01	Control Panel Assembly	3	7
70-29535-01	BEZEL ASSEMBLY, TOP FRONT	3	10
70-29536-01	Chassis Welment, Midtower	3	11
70-29557-01	KIT, DRIVE HARDWARE	2	12
70-30030-01	Module Assembly, DE422-SA (Not Shown)	1	3D
74-44337-01	Bracket, Drive EXP (3.5 to 5.25 Inch) (Not Shown)	1	4B
74-44337-01	Bracket, Drive Expander	2	12E
74-44784-01	Carrier, HDU Rear	3	12
74-44785-01	Carrier, FDU (3.5 Inch)	3	13
74-44788-01	Panel, I/O	3	14
74-44789-01	Clamp, Fan	3	15
74-44790-01	Cover, Internal	3	16
74-44793-01	Panel, Filler	3	10B
74-44794-01	Shield, Leader EMI/RFI	3	10A
74-44795-01	Bezel, Bottom Front	3	17
74-44796-01	Bezel, Main Rear	3	18
74-44798-07	Medallion	1	15
74-44799-01	Foot, Rear	2	13
74-44800-01	Foot, Front	2	14
74-44801-01	Rail, Mounting	2	12A
74-44943-01	Clip, Ground	2	12B
74-47661-01	Guide, Card	3	19
74-47662-01	Pawl, Rear Keylock	3	20
74-47663-01	Retainer, Power Supply	3	21
74-XXXXX-XX	Panel, HDU Protector (F.T. units ONLY)	3	24
90-00038-19	Screw, Mach. Phi Pan Hd. No. 6-32 x 1/4	2	12D
90-08020-01	Screw, Pan Hd Machine 6-32 x 3/16 (Not Shown)	1	4C
90-08020-01	Screw, Phi Pan Hd No. 6-32 x 3/16	2	12C
90-08020-01	Screw, Phi Pan Hd No. 6-32 x 3/16	3	23
90-08214-01	Strip, Foam (adhesive backed)	3	8
90-09984-00	Screw, Phi Pan Hd No. 6-32 x 3/8	3	22

# INDEX BY DIGITAL/VENDOR PART NUMBER

DECpc AXP/150, DEC 2000 AXP Model 300

PART NO.	DESCRIPTION	FIG NO.	ITEM NO.
90-09984-07	Screw, Sems Phi Pan Hd No. 6-32 x 5/16	2	15
90-09984-07	Screw, Sems Phi Pan Hd No. 6-32 x 5/16	3	9
BC13L-10	Cable, PC Video	1	1
BNE4H-2E	Cable, 3.5 M PC (17-00083-39)	1	2
H4082-AA	Connector, Loopback (Not Shown)	1	3A
ME524-DE	Module, Memory 4 MB 70 ns w/parity	1	22A
ME544-DE	Module, Memory 16 MB 70 ns w/parity	1	23A
PB22B-XX	DEC 2000 AXP Model 300 (OSF/1 Server)	1	N/A
PB22B-XX	PB22B-XX	1	N/A
PB22B-XX	PB23X-XX	1	N/A
PB22H-CX	KERNEL ASSEMBLY	1	19
PB22H-CX	KERNEL ASSEMBLY	2	N/A
PB22H-KB	KIT, CPU EISA	1	Not Shown
PB22X-XX	DECpc AXP/150 (Windows NT PC/Server)	1	N/A
PB22X-XX	PB220-XX	1	N/A
PB23X-XX	DEC 2000 AXP Model 300 (OpenVMS Server)	1	N/A
PB2CA-AA	KIT, MULTIPLEXOR, 32 BIT ETHERNET EISA	1	3
PB2GA-AA	KIT, VGA VIDEO EISA	1	20
PB2MA-BD	KIT, MEMORY DECpc AXP/150 (4 MB)	1	22
PB2MA-BD	Module, Memory ME524	1	21
PB2MA-BF	KIT, MEMORY DECpc AXP/150 (16 MB)	1	23
PB2RA-AA	KIT, DISK DRIVE, 245 MB SCSI (W/MOUNTING HARDWARE)	1	4
PB2SA-AA	KIT, CD-ROM, 5 1/4" SCSI 600 MB	1	5
PB2TA-AA	KIT, TAPE DRIVE DECpc AXP/150 (Not Shown)	1	16
PB2TA-BA	KIT, TAPE DRIVE DECpc AXP/150	1	17
PC7XV-XX	Monitor, 14" Color VGA (1024 x 768 LE/MF, Northern/Southern Hemisphere)	1	8
PCXAL-XX	Keyboard, DEC PC	1	6
PCXAV-XX	Monitor, 19" Color SVGA (1280 x 1024 LE/MF, 120V/240V, Northern/Southern Hemisphere)	1	8B
QB-OQRAA-SA	WNT OS HW SHRINK-WRAP PKG.	1	Not Shown
RRD42-AA	CD-ROM, RRD42 (Not Shown)	1	5A
RX26-AA	Disk Drive, RX26 Floppy (2.8 MB, 3.5 Inch)	2	16
RX26-AA	Drive, 2.8 MB 3 1/2 Inch Diskette	1	7
RX26K-01	Diskette, Floppy (3.5 Inch) (Not Shown)	2	17
RZ24L-E	Disk Drive, RZ24 (3.5 Inch) (Not Shown)	1	4A
TLZ06-BA	DAT Drive, 4 GB 4 mm 5.25 Inch HH EMB (Not Shown)	1	16A
TLZ06-XX	Cartridge, Cleaning (for TLZ06) (Not Shown)	1	16B
TZK10-AA	Tape Drive, 525 MB w/SCSI	1	17A
TZK1X-CC	Media, 525 MB for TKZ10 Tape Drive	1	17B
TZK1X-HA	Cartridge, Cleaning (for TZK10)	1	17C
VRC16-XX	Monitor, 17" Color VGA (1280 x 1024 LE/MF, 72 Hz, Northern/Southern Hemisphere)	1	8A
VSXXX-EA	Pad, Mouse (Grey)	1	9



**INDEX BY DIGITAL/VENDOR PART NUMBER**  
DECpc AXP/150, DEC 2000 AXP Model 300

<b>PART NO.</b>	<b>DESCRIPTION</b>	<b>FIG NO.</b>	<b>ITEM NO.</b>
---------------------	--------------------	--------------------	---------------------

---

**THIS PAGE INTENTIONALLY LEFT BLANK**

# INDEX BY DIGITAL/VENDOR PART DESCRIPTION

DECpc AXP/150, DEC 2000 AXP Model 300

DESCRIPTION	PART NO.	FIG. NO.	ITEM NO.
BASE/CHASSIS ASSEMBLY	613343-001	3	5
BASE/CHASSIS ASSEMBLY	70-29532-01	3	5
Battery Pack, 4.5 V	12-38597-01	2	3
BEZEL ASSEMBLY, TOP FRONT	70-29535-01	3	10
Bezel, Bottom Front	517485-001	3	17
Bezel, Bottom Front	74-44795-01	3	17
Bezel, Main Rear	517488-001	3	18
Bezel, Main Rear	74-44796-01	3	18
Bracket, Drive EXP (3.5 to 5.25 Inch) (Not Shown)	74-44337-01	1	4B
Bracket, Drive Expander	74-44337-01	2	12E
Cable Assembly, 34 Cond Flat, Ribbon	17-03458-01	1	11
Cable Assembly, 50 Cond Flat, Ribbon	17-03459-01	1	12
Cable, 3.5 M PC (17-00083-39)	BNE4H-2E	1	2
Cable, Flat Ribbon 34 Cond.	17-03458-01	2	19
Cable, Flat Ribbon 50 Cond.	17-03459-03	2	18
Cable, PC Video	BC13L-10	1	1
Caddy, CD-ROM Drive (Not Shown)	30-34512-01	1	5B
Carrier, FDU (3.5 Inch)	516880-003	3	13
Carrier, FDU (3.5 Inch)	74-44785-01	3	13
Carrier, HDU Rear	516865-002	3	12
Carrier, HDU Rear	74-44784-01	3	12
Cartridge, Cleaning (for TLZ06) (Not Shown)	TLZ06-XX	1	16B
Cartridge, Cleaning (for TZK10)	TZK1X-HA	1	17C
CD-ROM, RRD42 (Not Shown)	RRD42-AA	1	5A
Chassis Weldment, Midtower	516875-006	3	11
Chassis Weldment, Midtower	70-29536-01	3	11
Clamp, Fan	517621-002	3	15
Clamp, Fan	74-44789-01	3	15
Clip, Ground	74-44943-01	2	12B
Clip, Switch/Actuator Rod	611660-001	3	3
Connector, COAX BNC 500 OHMS (Not Shown)	12-26318-01	1	3C
Connector, Loopback (Not Shown)	H4082-AA	1	3A
Control Panel Assembly	517710-001	3	7
Control Panel Assembly	70-29534-01	3	7
Cord, Power	17-00365-XX	1	10
Cover Assembly	518139-003	3	6
Cover Assembly	70-29533-01	3	6
Cover Assembly, Side	70-29533-01	1	21A
Cover, Internal	610364-001	3	16
Cover, Internal	74-44790-01	3	16
DAT Drive, 4 GB 4 mm 5.25 Inch HH EMB (Not Shown)	TLZ06-BA	1	16A
DEC 2000 AXP Model 300 (OSF/1 Server)	PB22B-XX	1	N/A
DEC 2000 AXP Model 300 (OpenVMS Server)	PB23X-XX	1	N/A
DECpc AXP/150 (Windows NT PC/Server)	PB22X-XX	1	N/A
Disk Drive, RX26 Floppy (2.8 MB, 3.5 Inch)	RX26-AA	2	16
Disk Drive, RZ24 (3.5 Inch) (Not Shown)	RZ24L-E	1	4A
Diskette, Floppy (3.5 Inch) (Not Shown)	RX26K-01	2	17
Drive, (2.8 MB 3.5 Inch) Diskette	RX26-AA	1	7
Dual Keylocks/Switch (W/Keys)	12-38186-01	3	5B
Dual Keylocks/Switch (W/Keys)	517603-001	3	5B
ENCLOSURE ASSEMBLY (70-29531-01)	30-39861-01	2	6
ENCLOSURE ASSEMBLY (70-29531-01)	30-39861-01	3	N/A
ENCLOSURE ASSEMBLY (70-29531-01)	540152-004	2	6

# INDEX BY DIGITAL/VENDOR PART DESCRIPTION

DECpc AXP/150, DEC 2000 AXP Model 300

DESCRIPTION	PART NO.	FIG. NO.	ITEM NO.
<b>ENCLOSURE ASSEMBLY (70-29531-01)</b>	<b>540152-004</b>	<b>3</b>	<b>N/A</b>
Fan	201559-002	3	5A
Ferrite Bead (Not Shown)	16-25105-16	2	4
Ferrite Bead (Not Shown)	16-25105-18	2	5
Fingerstock (2.22 Inch)	12-24180-02	2	1
Fingerstock, EMI/RFI Ground	12-24180-02	3	1
Foot, Front	74-44800-01	2	14
Foot, Rear	74-44799-01	2	13
Guide, Card	513371-001	3	19
Guide, Card	74-47661-01	3	19
<b>KERNEL ASSEMBLY</b>	<b>PB22H-CX</b>	<b>1</b>	<b>19</b>
<b>KERNEL ASSEMBLY</b>	<b>PB22H-CX</b>	<b>2</b>	<b>N/A</b>
<b>KIT, CD-ROM, 5 1/4 Inch SCSI 600 MB</b>	<b>PB2SA-AA</b>	<b>1</b>	<b>5</b>
<b>KIT, CPU EISA</b>	<b>PB22H-KB</b>	<b>1</b>	<b>Not Shown</b>
<b>KIT, DISK DRIVE, 245 MB SCSI (W/MOUNTING HARDWARE)</b>	<b>PB2RA-AA</b>	<b>1</b>	<b>4</b>
<b>KIT, DRIVE HARDWARE</b>	<b>70-29557-01</b>	<b>2</b>	<b>12</b>
<b>KIT, MEMORY DECpc AXP/150 (16 MB)</b>	<b>PB2MA-BF</b>	<b>1</b>	<b>23</b>
<b>KIT, MEMORY DECpc AXP/150 (4 MB)</b>	<b>PB2MA-BD</b>	<b>1</b>	<b>22</b>
<b>KIT, MULTIPLEXOR, 32 BIT ETHERNET EISA</b>	<b>PB2CA-AA</b>	<b>1</b>	<b>3</b>
<b>KIT, TAPE DRIVE DECpc AXP/150</b>	<b>PB2TA-BA</b>	<b>1</b>	<b>17</b>
<b>KIT, TAPE DRIVE DECpc AXP/150 (Not Shown)</b>	<b>PB2TA-AA</b>	<b>1</b>	<b>16</b>
<b>KIT, VGA VIDEO EISA</b>	<b>PB2GA-AA</b>	<b>1</b>	<b>20</b>
<b>Keyboard, DEC PC</b>	<b>PCXAL-XX</b>	<b>1</b>	<b>6</b>
Label CE Mark	36-36842-01	3	25A
Label, CE Mark	36-36842-01	2	8
Label, Direct Thermal	36-28231-07	1	Not Shown
Label, Electrical Data	36-40018-01	3	Not Shown
Label, Electrical Data	517944-001	3	Not Shown
Label, I/O	36-40019-01	3	Not Shown
Label, License Agreement (Not Shown)	36-38668-01	1	14
Label, Regulatory (Made in Kanata)	36-41019-03	2	7
Label, Regulatory (Made in Kanata)	36-41019-03	3	25
Label, Regulatory (Made in UK)	36-41019-02	2	7
Label, Regulatory (Made in UK)	36-41019-02	3	25
Label, Vendor I.D.	36-?????-??	3	Not Shown
Medallion	74-44798-07	1	15
Media, 525 MB for TKZ10 Tape Drive	TZK1X-CC	1	17B
Module Assembly, DE422-SA (Not Shown)	70-30030-01	1	3D
Module, Adaptec Controller	30-40383-01	1	13
Module, COMPAQ QVISION Graphics	30-40385-01	1	20A
Module, EV4 ns CPU, EISA (70-29685-01)	54-20674-01	1	Not Shown
Module, EV4 ns CPU, EISA (70-29685-01)	54-20674-01	2	11
Module, Memory 16 MB 70 ns w/parity	ME544-DE	1	23A
Module, Memory 4 MB 70 ns w/parity	ME524-DE	1	22A
Module, Memory ME524	PB2MA-BD	1	21
Monitor, 14" Color VGA, (1024 x 768 LE/MF, Northern/Southern Hemisphere)	PC7XV-XX	1	8
Monitor, 17" Color VGA, (1280 x 1024 LE/MF, 120V/240V, Northern/Southern Hemisphere)	VRC16-XX	1	8A
Monitor, 19" Color SVGA, (1280 x 1024 LE/MF, 72 Hz, Northern/Southern Hemisphere)	PCXAV-XX	1	8B

# INDEX BY DIGITAL/VENDOR PART DESCRIPTION

DECpc AXP/150, DEC 2000 AXP Model 300

DESCRIPTION	PART NO.	FIG. NO.	ITEM NO.
Mouse, PC 2 Compatible	30-34905-04	1	18
PB220-XX	PB22X-XX	1	N/A
PB22B-XX	PB22B-XX	1	N/A
PB23X-XX	PB22B-XX	1	N/A
Packaging	37-01382-02	1	Not Shown
Pad, Mouse (Grey)	VSXXX-EA	1	9
Panel, Filler	517486-001	3	10B
Panel, Filler	74-44793-01	3	10B
Panel, HDU Protector (F.T. units ONLY)	74-XXXXX-XX	3	24
Panel, I/O	168073-001	3	14
Panel, I/O	74-44788-01	3	14
Pawl, Rear Keylock	518395-003	3	20
Pawl, Rear Keylock	74-47662-01	3	20
Power Supply (254W)	30-37197-02	3	4
Power Supply (254W)	516881-004	3	4
Rail, Mounting	74-44801-01	2	12A
Retainer, Power Supply	610340-001	3	21
Retainer, Power Supply	74-47663-01	3	21
Rocker Switch/Actuator Rod	12-38185-01	3	2
Rocker Switch/Actuator Rod	201636-001	3	2
Screw, Mach. Phl Pan Hd. No. 6-32 x 1/4	90-00038-19	2	12D
Screw, Pan Hd Machine 6-32 x 3/16 (Not Shown)	90-08020-01	1	4C
Screw, Phl Pan Hd No. 6-32 x 3/16	90-08020-01	2	12C
Screw, Phl Pan Hd No. 6-32 x 3/16	90-08020-01	3	23
Screw, Phl Pan Hd No. 6-32 x 3/8	108564-022	3	22
Screw, Phl Pan Hd No. 6-32 x 3/8	90-09984-00	3	22
Screw, Sems Phl Pan Hd No. 6-32 x 5/16	108564-021	3	9
Screw, Sems Phl Pan Hd No. 6-32 x 5/16	90-09984-07	2	15
Screw, Sems Phl Pan Hd No. 6-32 x 5/16	90-09984-07	3	9
Screwdriver, Flat Head (Not Shown)	47-00042-00	2	9
Screwdriver, Phillips Head (Not Shown)	47-00043-01	2	10
Shield, Leader EMI/RFI	517671-002	3	10A
Shield, Leader EMI/RFI	74-44794-01	3	10A
Strap, Wrist Grounding (Not Shown)	23-36175-01	2	2
Strip, Foam (adhesive backed)	90-08214-01	3	8
Strip, Ground Spring (31 Finger)	12-19638-25	3	Not Shown
Strip, Ground Spring (31 Finger)	12-19638-26	3	Not Shown
Strip, Ground Spring (31 Finger)	202832-001	3	Not Shown
Tape Drive, 525 MB w/SCSI	TZK10-AA	1	17A
Tee, COAX BNC (Not Shown)	12-25869-01	1	3B
WNT OS HW SHRINK-WRAP PKG.	QB-OQRAA-SA	1	Not Shown

**INDEX BY DIGITAL/VENDOR PART DESCRIPTION**

**DECpc AXP/150, DEC 2000 AXP Model 300**

<b>DESCRIPTION</b>	<b>PART NO.</b>	<b>FIG. NO.</b>	<b>ITEM NO.</b>
--------------------	---------------------	---------------------	---------------------

---

**THIS PAGE INTENTIONALLY LEFT BLANK**