

ILLUSTRATED PARTS BREAKDOWN

digital AlphaStation 400

ILLUSTRATED PARTS BREAKDOWN (IPB)

The IPB is used to identify a part and its location in a hardware product. The document references specific item numbers in the associated parts list.

HOW TO USE THE IPB

1. Locate the figure containing the item of interest.
2. Locate the number (callout) of the item of interest.
3. Locate that item number in the associated parts list.

FORMAT

Each IPB is generally organized based on its first figure. All other assemblies and subassemblies are referenced from this figure. Each figure contains numeric callouts of all major parts (items).

PARTS LIST

Each parts list contains the following:

Figure and Item No. – Lists the figure number and its referenced numeric callout

Description – Presents the name and a brief description of the item. A single asterisk (*) preceding the description denotes item is a

subassembly to its referenced figure. A double asterisk (**) preceding the description indicates that this item is subordinate to the preceding single asterisk item.

Digital Part No. – Lists the Digital/Vendor part number. The letter in the column heading indicates the current revision level of the Engineering Drawing for the referenced figure.

ECO Cut-In – Lists the top assembly drawing number and revision level at first printing. All additional revisions to an item are listed in this column.

Used On Code – Lists letters referring to the product variation assigned in Figure 1. When this column is blank, the item is used in all variations.

Ref Fig No. – Lists a cross reference between figures within the IPB.

PART NUMBER/PART DESCRIPTION INDEX SECTION

Lists items by part number numerically, and description alphabetically. Items are also referenced to a location within the IPB by figure and item number.

ECO/REVISION HISTORY

**OTHER IPB
MANUALS
REFERENCED**

FIGURE NO.	ASSEMBLY	INITIAL LEVEL	CURRENT LEVEL	PRINTING DATE	OTHER IPB MANUALS REFERENCED
1	PB51A	00000	00000	19-SEP-94	N/A
2	PB50H	00001	00001		

Digital Equipment Corporation reserves the right, without notice, to make substitutions and modifications in the specifications of products documented in this manual and further reserves the right to withdraw any of these products from the market without notice.

Digital Equipment Corporation is not responsible for errors which may appear in the technical description (including illustrations and photographs) of the products covered by this manual.

None of the descriptions contained in this manual imply the granting of any license whatsoever to make, use or sell equipment constructed in accordance therewith.

Restricted Rights: Use, duplication or disclosure by the U.S. Government is subject to restrictions as set forth in subparagraph (c) (1) (ii) of the Rights in Technical Data and Computer Software clause at DFARS 252.227-2713.

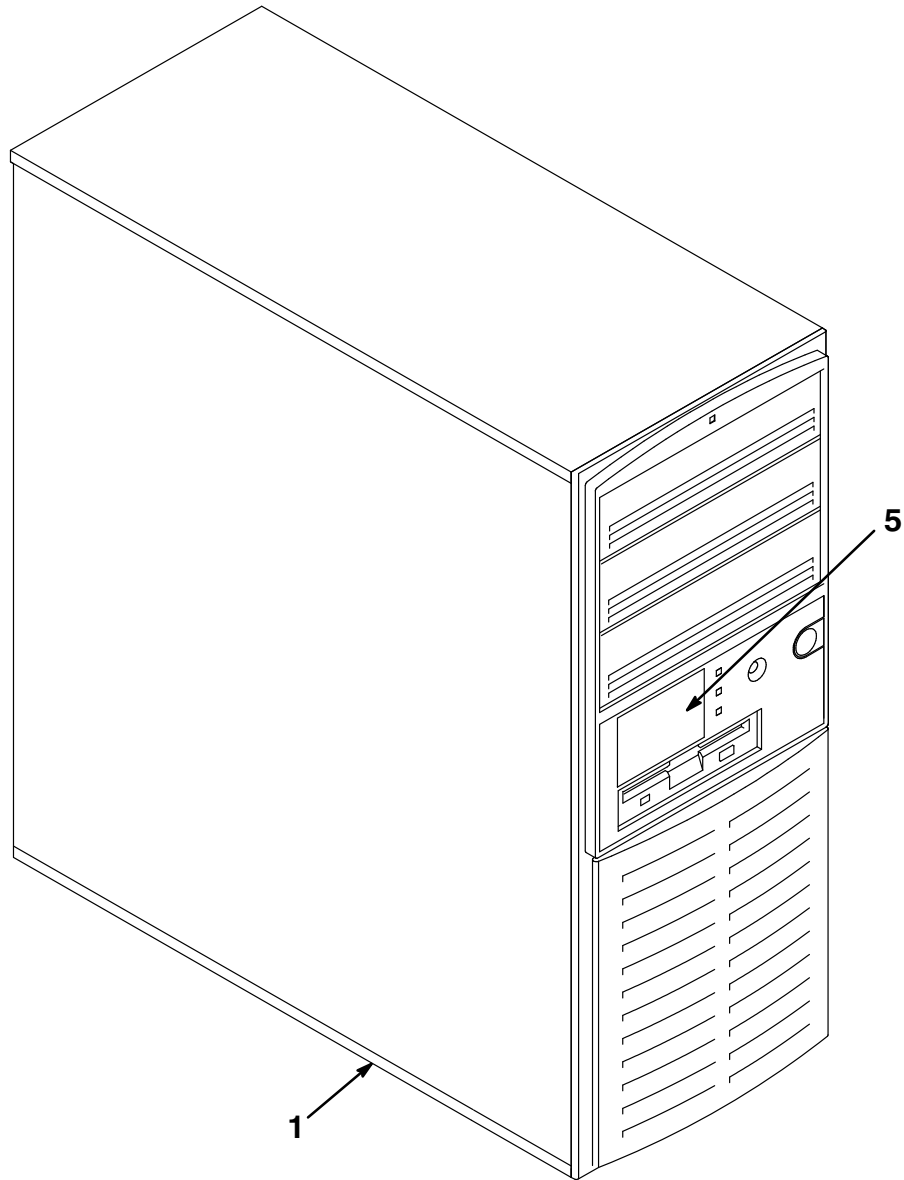
Copyright © 1994 by Digital Equipment Corporation. All rights reserved.
Printed in U.S.A.

The postage-paid READER'S COMMENTS form on the last page of this document requests your critical evaluation to assist us in preparing future documentation.

The following are trademarks of Digital Equipment Corporation :

AXP, DECdirect, RX and the DIGITAL logo.

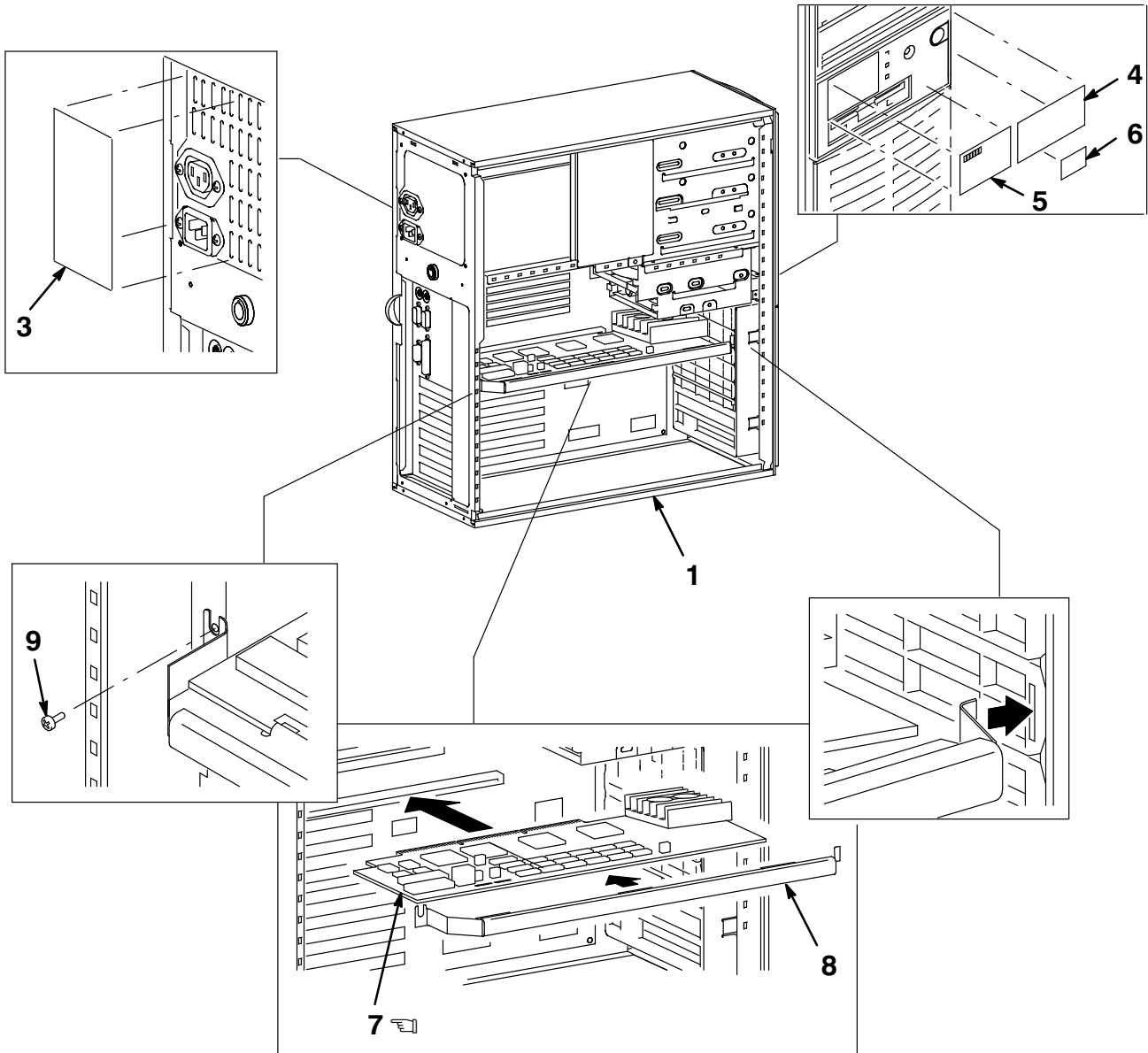
  INDICATES FRU LEVEL PARTS.



PCDSA-01-IL

Figure 1. System Building Block (Sheet 1 of 2)

  INDICATES FRU LEVEL PARTS.



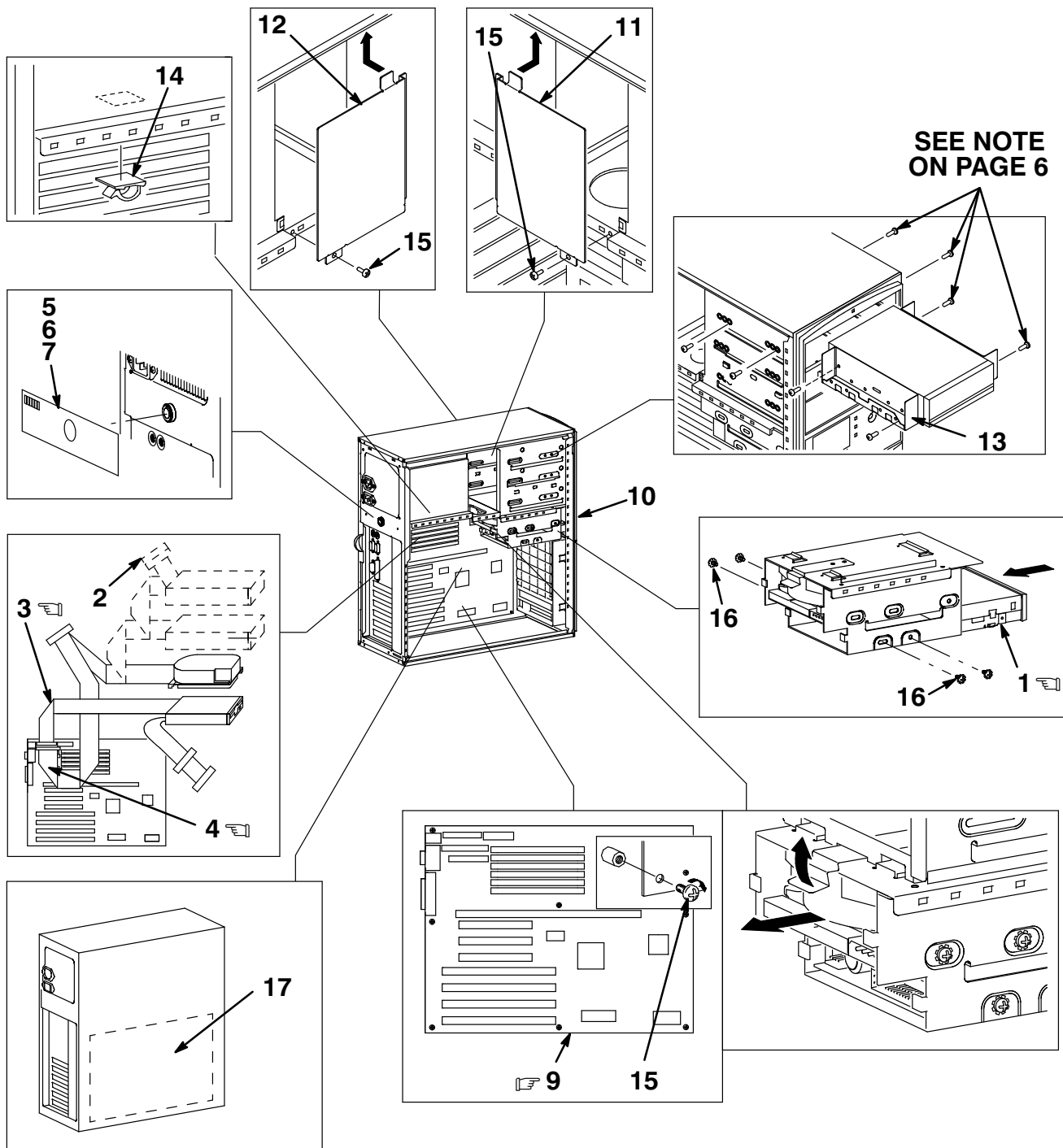
PCDSA-01A-IL

Figure 1. System Building Block (Sheet 2 of 2)

FIG. & ITEM NO.	DESCRIPTION	DIGITAL PART NO. ^A	ECO CUT-IN PB51A 00000	USED ON CODE	REF FIG NO.
1-	SYSTEM BUILDING BLOCK (OSF) SYSTEM BUILDING BLOCK (VMS) SYSTEM BUILDING BLOCK (NT)	PB51A-AA PB51A-BA PB51A-CA		A B C	
1	*KERNEL ASSEMBLY	PB50H-AA			2
2	*Power Cord, 125V (Not Shown)	17-00606-02			
3	*Label, "Warning Equipment Rating, 220-240V"	36-17905-17			
4	*Label, "License Agreement"	36-38668-01			
5	*Label, "Medallion"	36-43265-02			
6	*Label, "Alpha Generation"	36-43277-01			
7	*Module, CPU, 233 MHZ	54-23262-02			
8	*Crossbar Assembly	70-31668-01			
9	*Screw, Sems Pan Hd No. 6-32 x 1/4	90-10174-00			

THIS PAGE INTENTIONALLY LEFT BLANK

☞ ☞ INDICATES FRU LEVEL PARTS.



PCDSA-02-IL

Figure 2. Kernel Assembly

FIG. & ITEM NO.	DESCRIPTION	DIGITAL PART NO. ^B	ECO CUT-IN PB50H 00001	USED ON CODE	REF FIG NO.
2-	KERNEL ASSEMBLY	PB50H-AA			1
☞ 1	*Disk Drive Assembly, Floppy, 1.44 MB (3 1/2 Inch)	RX23L-AA			
2	*Terminator, 50 Pin SCSI	12-41670-01			
☞ 3	*Cable Assembly, 34 Cond, Flat (Connects From 34 Pos Connector On Motherboard To Floppy Disk Drive In Lower Drive Bay To Floppy Disk Drive In Upper Drive Bay.	17-03460-03			
☞ 4	*Cable Assembly, 50 Cond, Flat (Connects From 50 Pos Connector On Motherboard To Hard Disk Drive In Lower Drive Bay To Hard Disk Drives In Upper Drive Bay To Terminator.	17-03923-03			
5	*Label, "Regulatory" (Taiwan)	36-42805-02			
6	*Label, "Regulatory" (Canada)	36-42805-03			
7	*Label, "Regulatory" (U.K.)	36-42805-04			
8	*Package Assembly (Not Shown)	37-01474-05			
☞ 9	*Module, PCI/ISA	54-23572-01			
10	*Enclosure and Power Supply Assembly	70-31243-02			
11	*Bracket, Left	74-48468-01			
12	*Bracket, Right	74-48469-01			
13	*Bracket, Exchange	74-48510-01			
14	*Clamp, Cable (Adhesive Mount)	90-09636-00			
15	*Screw, Sems Pan Hd No. 6-32 x 1/4	90-10174-00			
16	*Screw, Mach M 3.0 Pan 5 mm	90-40217-01			
17	*Label, "Customer Installation"	36-42968-01			
	<p>NOTE: Reference From Page 5. These Screws Are Not Part Of This Assembly, Shown For Reference Only. They Are The Same Screws As Item 15.</p>				
					Ω

PART NUMBER/DESCRIPTION INDEX 

THIS PAGE INTENTIONALLY LEFT BLANK

INDEX BY DIGITAL PART NUMBER
digital AlphaStation 400

PART NO.	DESCRIPTION	FIG NO.	ITEM NO.
12-41670-01	Terminator, 50 Pin SCSI	2	2
17-00606-02	Power Cord, 125V (Not Shown)	1	2
17-03460-03	Cable Assembly, 34 Cond, Flat	2	3
17-03923-03	Cable Assembly, 50 Cond, Flat	2	4
36-17905-17	Label, "Warning Equipment Rating, 220-240V"	1	3
36-38668-01	Label, "License Agreement"	1	4
36-42805-02	Label, "Regulatory" (Taiwan)	2	5
36-42805-03	Label, "Regulatory" (Canada)	2	6
36-42805-04	Label, "Regulatory" (U.K.)	2	7
36-42968-01	Label, "Customer Installation"	2	17
36-43265-02	Label, "Medallion"	1	5
36-43277-01	Label, "Alpha Generation"	1	6
37-01474-05	Package Assembly (Not Shown)	2	8
54-23262-02	Module, CPU, 233 MHZ	1	7
54-23572-01	Module, PCI/ISA	2	9
70-31243-02	Enclosure and Power Supply Assembly	2	10
70-31668-01	Crossbar Assembly	1	8
74-48468-01	Bracket, Left	2	11
74-48469-01	Bracket, Right	2	12
74-48510-01	Bracket, Exchange	2	13
90-09636-00	Clamp, Cable (Adhesive Mount)	2	14
90-10174-00	Screw, Sems Pan Hd No. 6-32 x 1/4	1	9
90-10174-00	Screw, Sems Pan Hd No. 6-32 x 1/4	2	15
90-40217-01	Screw, Mach M 3.0 Pan 5 mm	2	16
PB50H-AA	KERNEL ASSEMBLY	1	1
PB50H-AA	KERNEL ASSEMBLY	2	N/A
PB51A-AA	SYSTEM BUILDING BLOCK (OSF)	1	N/A
PB51A-BA	SYSTEM BUILDING BLOCK (VMS)	1	N/A
PB51A-CA	SYSTEM BUILDING BLOCK (NT)	1	N/A
RX23L-AA	Disk Drive Assembly, Floppy, 1.44 MB (3 1/2 Inch)	2	1

INDEX BY DIGITAL PART DESCRIPTION
digital AlphaStation 400

DESCRIPTION	PART NO.	FIG. NO.	ITEM NO.
Bracket, Exchange	74-48510-01	2	13
Bracket, Left	74-48468-01	2	11
Bracket, Right	74-48469-01	2	12
Cable Assembly, 34 Cond, Flat	17-03460-03	2	3
Cable Assembly, 50 Cond, Flat	17-03923-03	2	4
Clamp, Cable (Adhesive Mount)	90-09636-00	2	14
Crossbar Assembly	70-31668-01	1	8
Disk Drive Assembly, Floppy, 1.44 MB (3 1/2 Inch)	RX23L-AA	2	1
Enclosure and Power Supply Assembly	70-31243-02	2	10
KERNEL ASSEMBLY	PB50H-AA	1	1
KERNEL ASSEMBLY	PB50H-AA	2	N/A
Label, "Alpha Generation"	36-43277-01	1	6
Label, "Customer Installation"	36-42968-01	2	17
Label, "License Agreement"	36-38668-01	1	4
Label, "Medallion"	36-43265-02	1	5
Label, "Regulatory" (Canada)	36-42805-03	2	6
Label, "Regulatory" (Taiwan)	36-42805-02	2	5
Label, "Regulatory" (U.K.)	36-42805-04	2	7
Label, "Warning Equipment Rating, 220-240V"	36-17905-17	1	3
Module, CPU, 233 MHZ	54-23262-02	1	7
Module, PCI/ISA	54-23572-01	2	9
Package Assembly (Not Shown)	37-01474-05	2	8
Power Cord, 125V (Not Shown)	17-00606-02	1	2
Screw, Mach M 3.0 Pan 5 mm	90-40217-01	2	16
Screw, Sems Pan Hd No. 6-32 x 1/4	90-10174-00	2	15
Screw, Sems Pan Hd No. 6-32 x 1/4	90-10174-00	1	9
SYSTEM BUILDING BLOCK (NT)	PB51A-CA	1	N/A
SYSTEM BUILDING BLOCK (OSF)	PB51A-AA	1	N/A
SYSTEM BUILDING BLOCK (VMS)	PB51A-BA	1	N/A
Terminator, 50 Pin SCSI	12-41670-01	2	2