

**ILLUSTRATED  
PARTS  
BREAKDOWN**

**DEC 3000  
Models 400/600/700 SBB  
PE400 Series**

**ILLUSTRATED PARTS BREAKDOWN (IPB)**

The IPB is used to identify a part and its location in a hardware product. The document references specific item numbers in the associated parts list.

**HOW TO USE THE IPB**

1. Locate the figure containing the item of interest.
2. Locate the number (callout) of the item of interest.
3. Locate that item number in the associated parts list.

**FORMAT**

Each IPB is generally organized based on its first figure. All other assemblies and subassemblies are referenced from this figure. Each figure contains numeric callouts of all major parts (items).

**PARTS LIST**

Each parts list contains the following:

**Figure and Item No.** – Lists the figure number and its referenced numeric callout

**Description** – Presents the name and a brief description of the item. A single asterisk (\*) preceding the description denotes item is a

subassembly to its referenced figure. A double asterisk (\*\*) preceding the description indicates that this item is subordinate to the preceding single asterisk item.

**DEC Part No.** – Lists the Digital/Vendor part number. The letter in the column heading indicates the current revision level of the Engineering Drawing for the referenced figure.

**ECO Cut-In** – Lists the top assembly drawing number and revision level at first printing. All additional revisions to an item are listed in this column.

**Used On Code** – Lists letters referring to the product variation assigned in Figure 1. When this column is blank, the item is used in all variations.

**Ref Fig No.** – Lists a cross reference between figures within the IPB.

**PART NUMBER/PART DESCRIPTION INDEX SECTION**

Lists items by part number numerically, and description alphabetically. Items are also referenced to a location within the IPB by figure and item number.

**ECO/REVISION HISTORY**

**OTHER IPB  
MANUALS  
REFERENCED**

FIGURE NO.	ASSEMBLY	INITIAL LEVEL	CURRENT LEVEL	PRINTING DATE	OTHER IPB MANUALS REFERENCED
1	PE400	00000	00004 / REV D	30-SEP-94 3rd Printing	N/A
1A	PE420	00000	00001 / REV B		
1B	PE440	00000	00000 / REV A		
2	PE40A	00000	00005 / REV H		
2A	PE42A	00001	PE421-00001 / REV E		
2B	PE44A	00000	00000 / REV A		
3	BA47A	00000	00003 / REV D		
4	70-29546	00000	00000 / REV A		
5	70-30262	00000	7030276-001 / REV C		
6	70-29568	00000	7030276-001 / REV C		

Digital Equipment Corporation reserves the right, without notice, to make substitutions and modifications in the specifications of products documented in this manual and further reserves the right to withdraw any of these products from the market without notice.

Digital Equipment Corporation is not responsible for errors which may appear in the technical description (including illustrations and photographs) of the products covered by this manual.

None of the descriptions contained in this manual imply the granting of any license whatsoever to make, use or sell equipment constructed in accordance therewith.

Restricted Rights: Use, duplication or disclosure by the U.S. Government is subject to restrictions as set forth in subparagraph (c) (1) (ii) of the Rights in Technical Data and Computer Software clause at DFARS 252.227-2713.

Copyright © 1992, 1993, 1994 by Digital Equipment Corporation. All rights reserved.  
Printed in U.S.A.

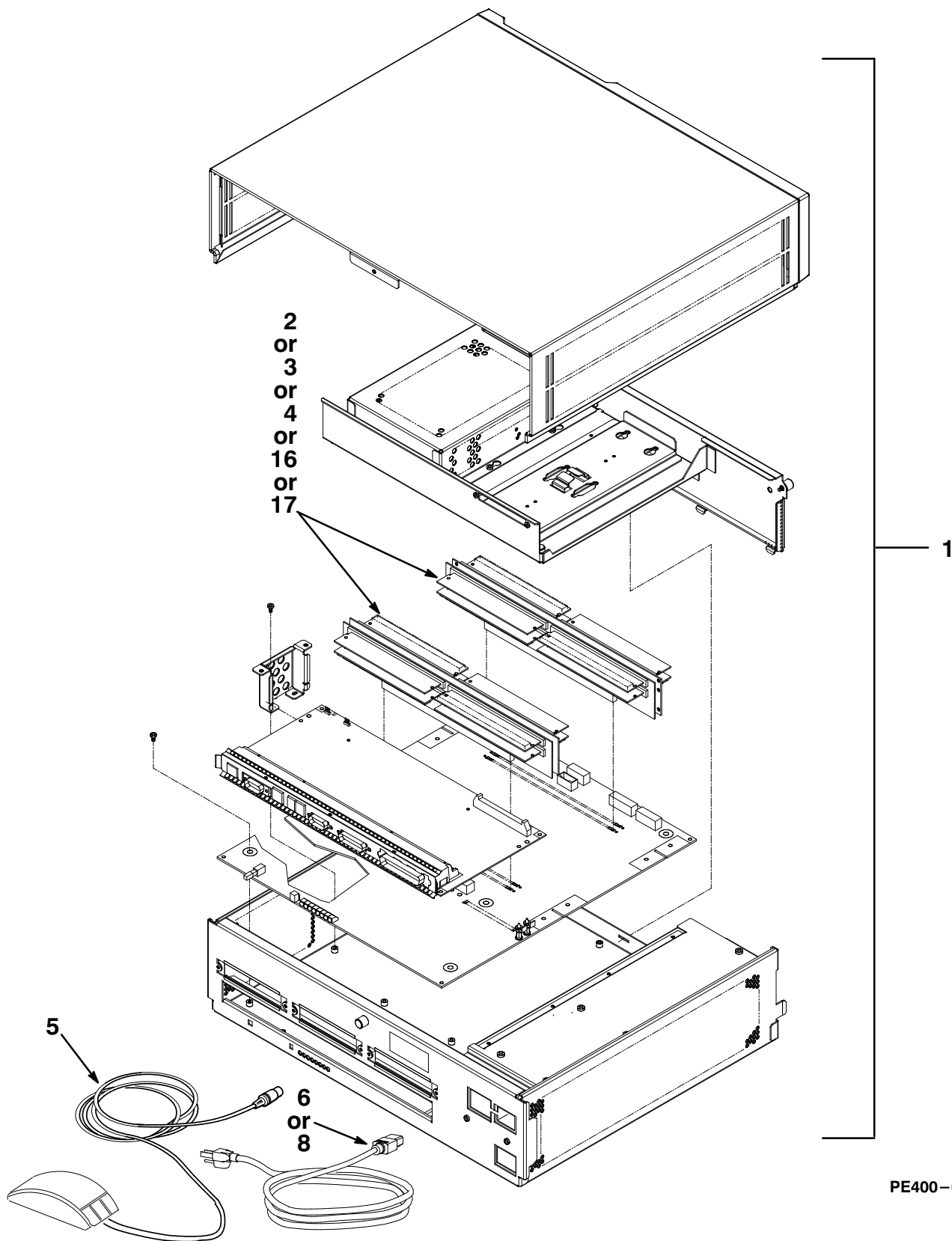
The postage-paid READER'S COMMENTS form on the last page of this document requests your critical evaluation to assist us in preparing future documentation.

The following are trademarks of Digital Equipment Corporation :

---

DECdirect, TURBOchannel and the DIGITAL logo.

LEXAN is a registered trademark of General Electric Company.  
OSF/1 is a registered trademark of Open Standards Foundation Corporation.  
All other trademarks and registered trademarks are the property of their respective holders.



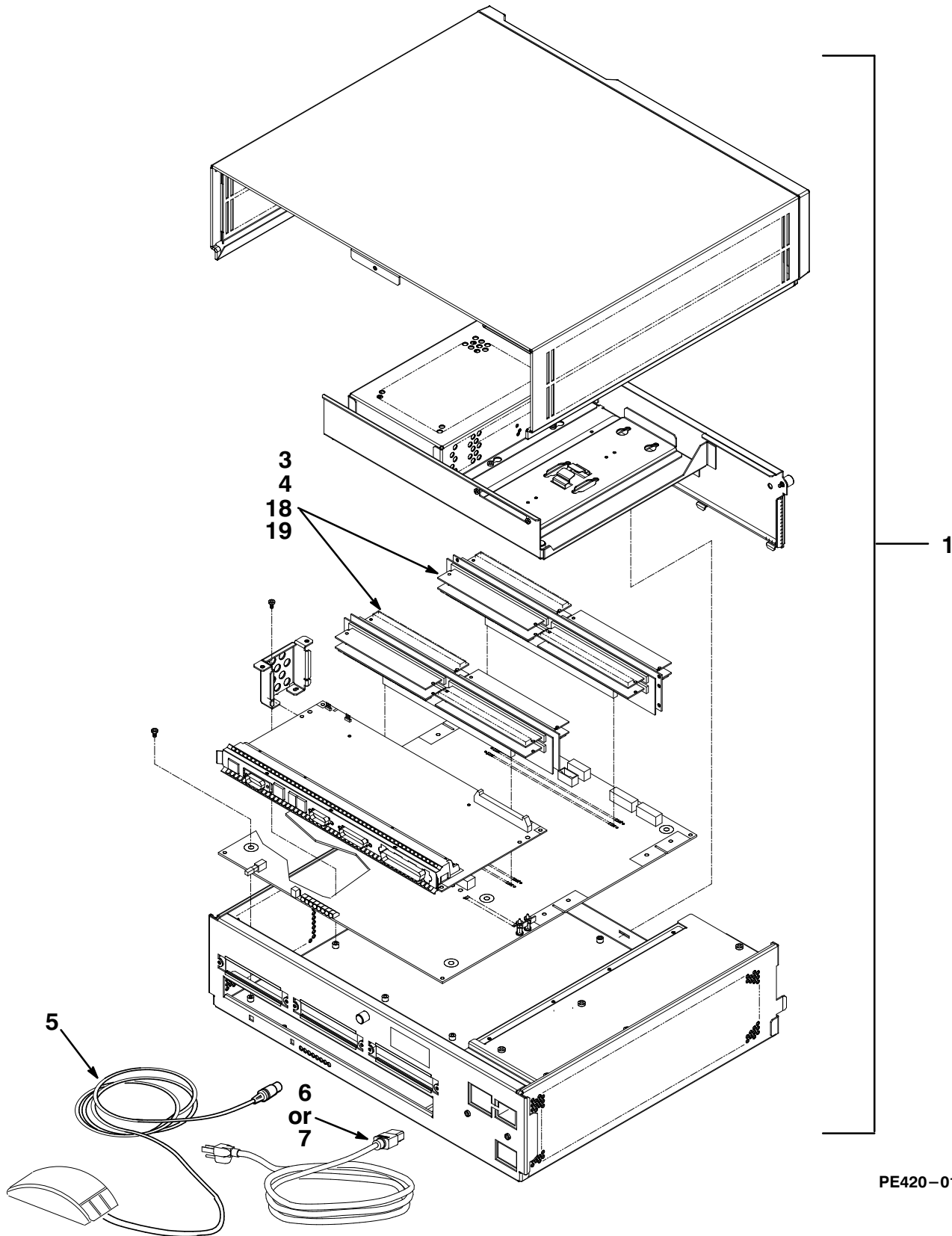
PE400-01-IL

Figure 1. DEC 3000 Model 400 System Building Block

FIG. & ITEM NO.	DESCRIPTION	DEC PART NO. <sup>D</sup>	ECO CUT-IN PE400 00000	USED ON CODE	REF FIG NO.
1-	<p><b>DEC 3000 MODEL 400 SYSTEM BUILDING BLOCK</b></p> <p>Code A – DEC 3000 Model 400 16 MB (120V)  Code B – DEC 3000 Model 400 16 MB (240V)  Code C – DEC 3000 Model 400 32 MB (120V)  Code D – DEC 3000 Model 400 32 MB (240V)  Code E – DEC 3000 Model 400 32 MB (120V)  Code F – DEC 3000 Model 400 32 MB (240V)  Code G – DEC 3000 Model 400 32 MB (240V)  Code H – DEC 3000 Model 400 64 MB (120V)  Code J – DEC 3000 Model 400 64 MB (240V)</p> <p>Code K – DEC 3000 Model 400 64 MB (120V)  Code L – DEC 3000 Model 400 64 MB (240V)  Code M – DEC 3000 Model 400 64 MB (240V)  Code N – DEC 3000 Model 400 16 MB (120V)  Code P – DEC 3000 Model 400 16 MB (240V)  Code R – DEC 3000 Model 400 32 MB (120V)  Code S – DEC 3000 Model 400 32 MB (240V)  Code T – DEC 3000 Model 400 32 MB (120V)  Code U – DEC 3000 Model 400 32 MB (240V)</p> <p>Code V – DEC 3000 Model 400 32 MB (240V)  Code W – DEC 3000 Model 400 64 MB (120V)  Code X – DEC 3000 Model 400 64 MB (240V)  Code Y – DEC 3000 Model 400 64 MB (120V)  Code Z – DEC 3000 Model 400 64 MB (240V)  Code A1 – DEC 3000 Model 400 64 MB (240V)  Code A2 – DEC 3000 Model 400 128 MB (120V)  Code A3 – DEC 3000 Model 400 128 MB (240V)  Code A4 – DEC 3000 Model 400 256 MB (120V)  Code A5 – DEC 3000 Model 400 256 MB (240V)  Code A6 – DEC 3000 Model 400 128 MB (120V)  Code A7 – DEC 3000 Model 400 128 MB (240V)  Code A8 – DEC 3000 Model 400 256 MB (120V)  Code A9 – DEC 3000 Model 400 256 MB (240V)  Code B1 – DEC 3000 Model 400 32 MB (120V)  Code B2 – DEC 3000 Model 400 64 MB (240V)</p>	PE400-AA PE400-AB PE400-BA PE400-BB PE400-BC PE400-BD PE400-BE PE400-CA PE400-CB  PE400-CC PE400-CD PE400-CE PE400-DA PE400-DB PE400-EA PE400-EB PE400-EC PE400-ED  PE400-EE PE400-FA PE400-FB PE400-FC PE400-FD PE400-FE PE400-GA PE400-GB PE400-HA PE400-HB PE400-JA PE400-JB PE400-KA PE400-KB PE400-ZA PE400-ZB		A B C D E F G H J  K L M N P R S T U  V W X Y Z A1 A2 A3 A4 A5 A6 A7 A8 A9 B1 B2	

FIG. & ITEM NO.	DESCRIPTION	<sup>D</sup> DEC PART NO.	ECO CUT-IN PE400 00000	USED ON CODE	REF FIG NO.
1-	DEC 3000 MODEL 400 SYSTEM BUILDING BLOCK				
1	*KERNEL ASSEMBLY, DEC 3000 MODEL 400	PE40A-A9			2
2	*Module, 16 MB Memory Option	MS15-BA		ABNP	
3	*Module, 32 MB Memory Option	MS15-CA		C-G, R-V, B1,B2 H-M W-A1	
4	*Module, 64 MB Memory Option	MS15-DA			
5	*Mouse, 3 Button Corporate	VSXXX-GA			
6	*Cord, Power (US)	17-00083-39		ACEHKPR TWY,A2 A4,A6, A8,B1	
7	*Package Assembly (Not Shown)	37-01378-01			
8	*Cord, Power (International)	70-28729-01			
9	*License, DEC 3000 Model 400 Software (See Note)	75-00023-02		A-M A2-A5	
10	*License, DEC 3000 Model 400 Software (See Note)	75-00023-01		N-Z,A1, A6-B2	
11	*Documentation, "Guide To Using VMS F.I." (See Note) (added)	EK-A0377-UG	00001	N-Z,A1 A6-A9	
12	*Documentation, "Guide To Using OSF F.I." (See Note) (added)	EK-A0377-UG	00001	A-M A2-A5	
13	*Keyboard, LK401 (USA Keycaps) (See Note) (added)	LK401-AA	00002	EKTY	
14	*Monitor, 20 Inch Color (See Note) (deleted)	VRT19-HA	00004	EFKLTU YZ	
15	*Monitor, 20 Inch Color (See Note) (deleted)	VRT19-H4	00004	GMV,A1	
16	*Module, 128 Memory Option (added)	MS15-EA	00003	A2,A3, A6,A7	
17	*Module, 256 MB Memory Option (added)	MS15-FA	00003	A4,A5 A8,A9	
18	*Monitor, 21 Inch Color (added) (See Note)	VRC21-HA	00004	EKFLTUYZ	
19	*Monitor, 21 Inch Color (added) (See Note)	VRC21-H4	00004	GMV,A1	
	NOTE: This item not shown.				

THIS PAGE INTENTIONALLY LEFT BLANK

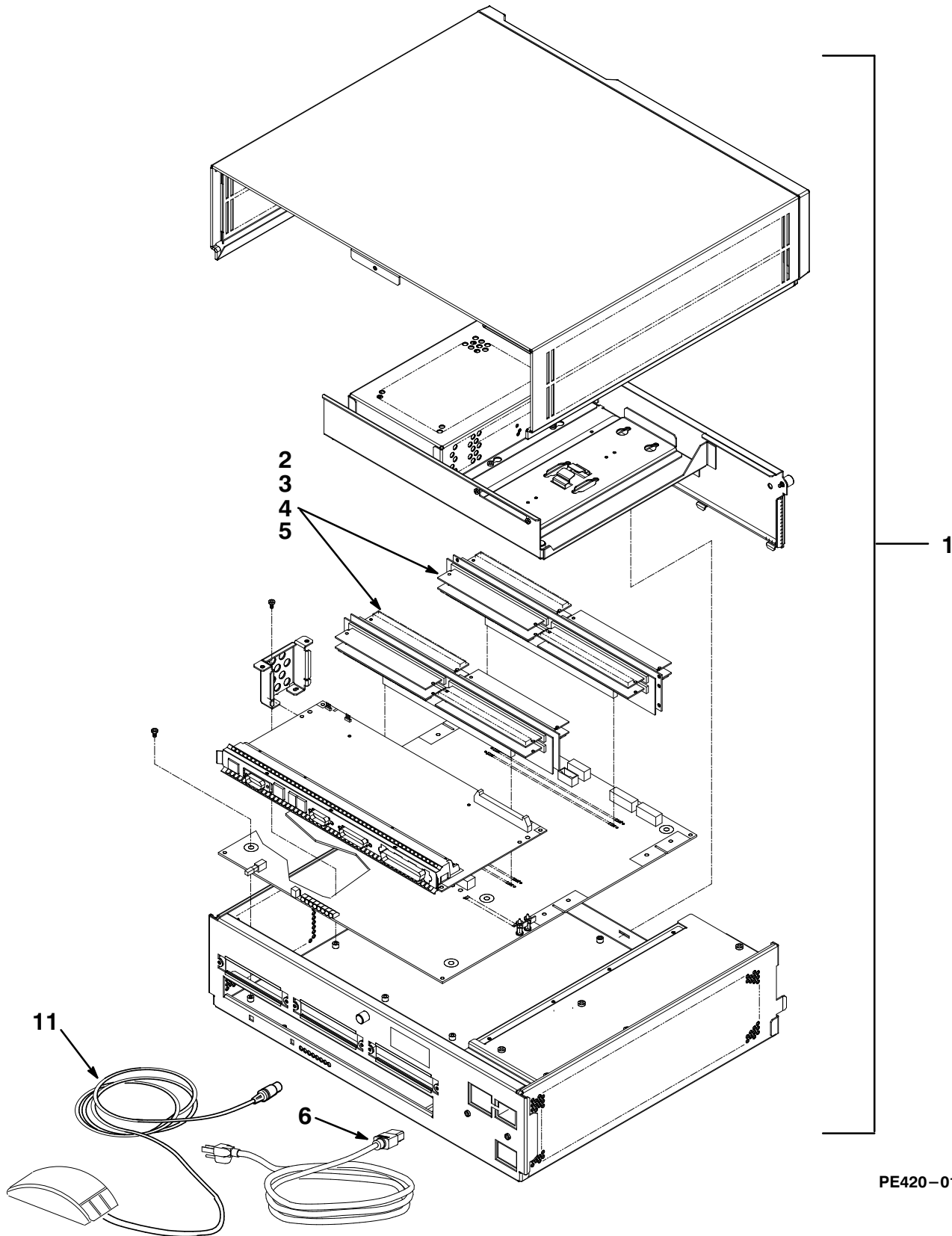


PE420-01A-IL

**Figure 1A. DEC 3000 Model 600 System Building Block**

FIG. & ITEM NO.	DESCRIPTION	<sup>B</sup> DEC PART NO.	ECO CUT-IN PE420 00000	USED ON CODE	REF FIG NO.
1A-	DEC 3000 MODEL 600 SYSTEM BUILDING BLOCK				
	Code A – DEC 3000 Model 600 16 MB (120V)	PE420-AA		A	
	Code B – DEC 3000 Model 600 16 MB (240V)	PE420-BA		B	
	Code C – DEC 3000 Model 600 32 MB (120V)	PE420-CA		C	
	Code D – DEC 3000 Model 600 32 MB (240V)	PE420-DA		D	
	Code E – DEC 3000 Model 600 64 MB (120V)	PE420-EA		E	
	Code F – DEC 3000 Model 600 64 MB (240V)	PE420-FA		F	
	Code G – DEC 3000 Model 600 16 MB (120V)	PE420-GA		G	
	Code H – DEC 3000 Model 600 16 MB (240V)	PE420-HA		H	
	Code J – DEC 3000 Model 600 32 MB (120V)	PE420-ZA		J	
1	*KERNEL ASSEMBLY, DEC 3000 MODEL 600	PE42A-A9			2A
2	Not Used				
3	*Module, 32 MB Memory Option	MS15-CA			
4	*Module, 64 MB Memory Option	MS15-DA			
5	*Mouse, 3 Button Corporate	VSXXX-GA			
6	*Cord, Power (US)	17-00083-39			
7	*Cord, Power (International)	70-28729-01			
8	Not Used				
9	*License, DEC 3000 Model 600 Software – OSF (See Note)	75-00023-10		ACEG	
10	*License, DEC 3000 Model 600 Software – VMS (See Note)	75-00023-09		NDFH	
11	*Documentation, Guide To Using VMS F.I. (See Note)	EK-A0377-UG		BDFH	
12	*Documentation, OSF Factory Installed User Guide (See Note)	EK-SFFIS-UG		ACEG	
13	*Drive, RZ25L 3.5 Inch SCSI Disk (See Note)	RZ25L-EJ			
14	*Drive, RZ26L 3.5 Inch SCSI Disk (See Note)	RZ26L-EJ			
15	*Drive, RRD42 CD-Rom 600 MB (deleted)	RRD42-HM	00001		
16	*Drive, TLZ06 Tape (See Note)	TLZ06-MF			
17	*Drive, TZK10 QIC Tape (See Note)	TZK10-MF			
18	*Module, 128MB Memory	MS15-EA			
19	*Module, 256 MB Memory	MS15-FA			
20	*Documentation, DEC 3000 Model 450 AXP Info (See Note)	EK-SNDWS-DK			
21	*Drive, RX26 3.5 Inch SCSI Diskette (See Note)	RX26-FH			
22	*Drive, RZ28 SCSI (See Note)	RZ28-EJ			
23	*Drive, TZ30 (See Note)	TZ30-HG			
24	*Drive, TZK11 Tape (See Note)	TZK11-MF			
25	*Drive, RRD43 Factory Inst. (added) (See Note)	RRD43-HM	00001		
	NOTE: This item not shown.				



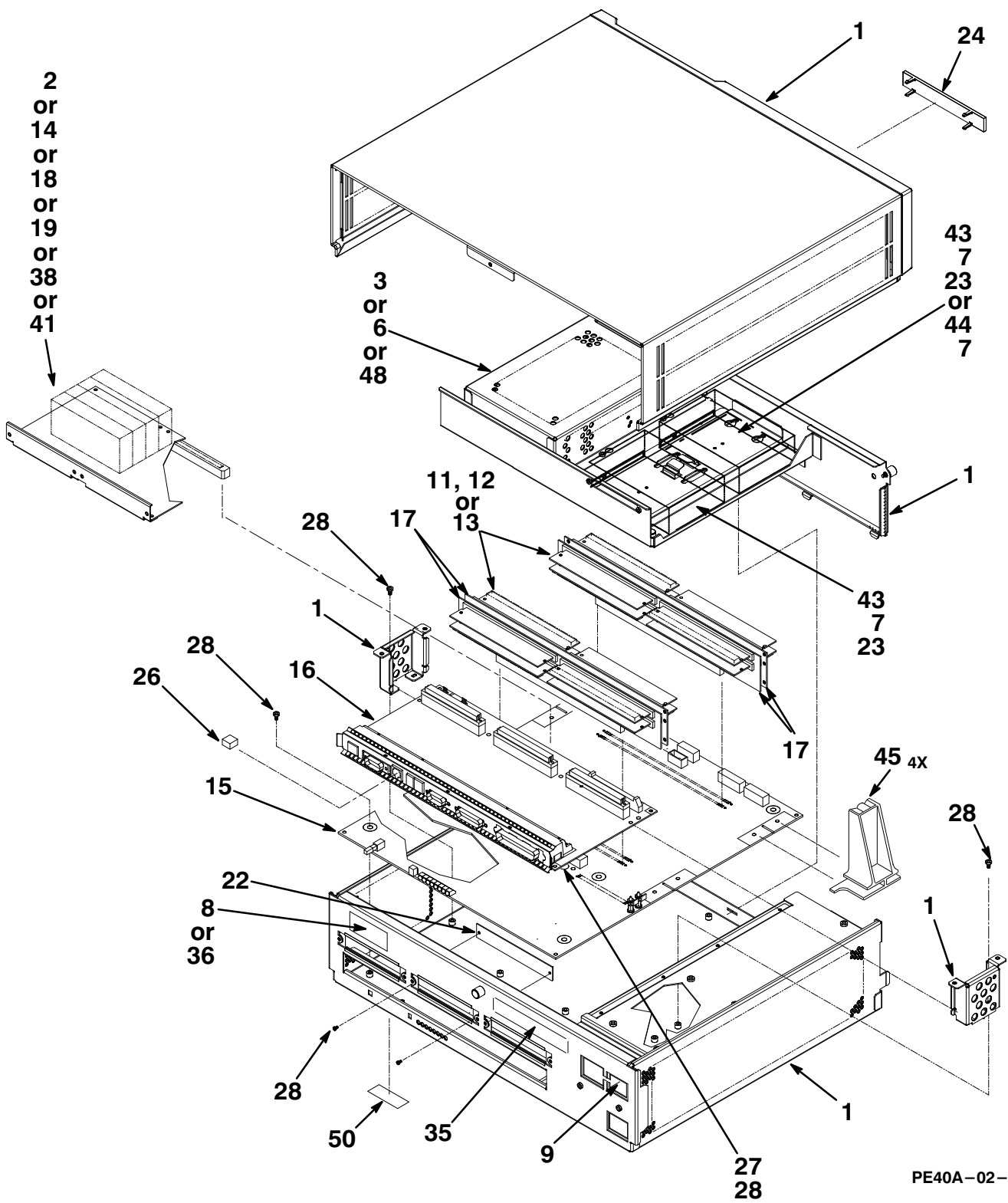


PE420-01A-IL

**Figure 1B. DEC 3000 Model 700 System Building Block**

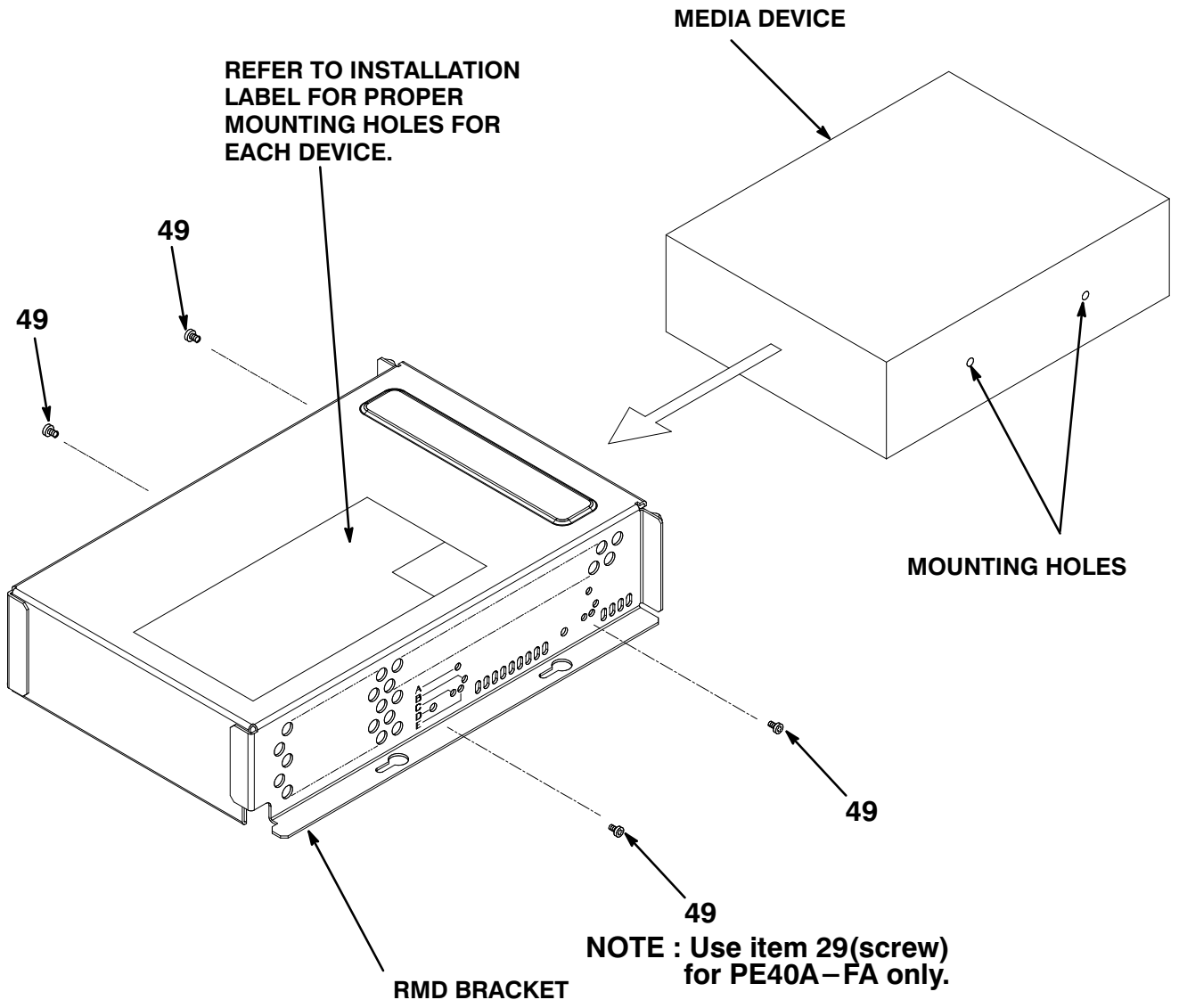
FIG. & ITEM NO.	DESCRIPTION	A DEC PART NO.	ECO CUT-IN PE440 00000	USED ON CODE	REF FIG NO.
1B-	DEC 3000 MODEL 700 SYSTEM BUILDING BLOCK				
	Code A – DEC 3000 Model 700 16 MB (120V)	PE440-BA		A	
	Code B – DEC 3000 Model 700 16 MB (240V)	PE440-CA		B	
	Code C – DEC 3000 Model 700 32 MB (120V)	PE440-DA		C	
	Code D – DEC 3000 Model 700 32 MB (240V)	PE440-EA		D	
	Code E – DEC 3000 Model 700 64 MB (120V)	PE440-MA		E	
	Code F – DEC 3000 Model 700 64 MB (240V)	PE440-NA		F	
	Code G – DEC 3000 Model 700 16 MB (120V)	PE440-PA		G	
	Code H – DEC 3000 Model 700 16 MB (240V)	PE440-RA		H	
	Code J – DEC 3000 Model 700 32 MB (120V)	PE440-ZA		J	
1	*KERNEL ASSEMBLY, DEC 3000 MODEL 700	PE44A-A9			2B
2	*Module, 32 MB Memory Option	MS15-CA			
3	*Module, 64 MB Memory Option	MS15-DA			
4	*Module, 128 MB Memory Option	MS15-EA			
5	*Module, 256 MB Memory Option	MS15-FA			
6	*Cord, Power (International)	70-28729-01			
7	*License, DEC 3000 Model 700 Software – VMS (See Note)	75-00023-15		EFGH	
8	*License, DEC 3000 Model 700 Software – OSF (See Note)	75-00023-16		ABCD	
9	*Documentation, Guide To Using VMS F.I. (See Note)	EK-A0377-UG		EFGH	
10	*Documentation, Guide To Using OSF – Factory Installed (See Note)	EK-SFFIS-UG		ABCD	
11	*Mouse, 3 Button Corporate	VSXXX-GA			
12	*Drive, RZ26L 3.5 Inch SCSI Disk (See Note)	RZ26L-EJ			
13	*Drive, RRD43 CD-Rom, Factory Installed	RRD43-HM			
14	*Drive, TLZ07 8GB 4mm DAT Tape (See Note)	TLZ07-MF			
15	*Documentation, DEC 3000 Model 600/700 AXP Info (See Note)	EK-SNDWS-DK			
16	*Drive, RX26 3.5 Inch SCSI Diskette (See Note)	RX26-FH			
17	*Drive, RZ28 SCSI (See Note)	RZ28-EJ			
18	*Drive, TZK10 QIC Tape (See Note)	TZK10-MF			
	NOTE: This item not shown.				

**PARTS LIST**



PE40A-02-IL

**Figure 2. Kernel Assembly, DEC 3000 Model 400 (Sheet 1 of 3)**

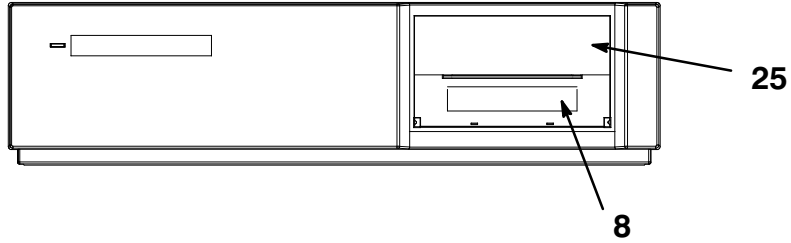


PE40A-02A-IL

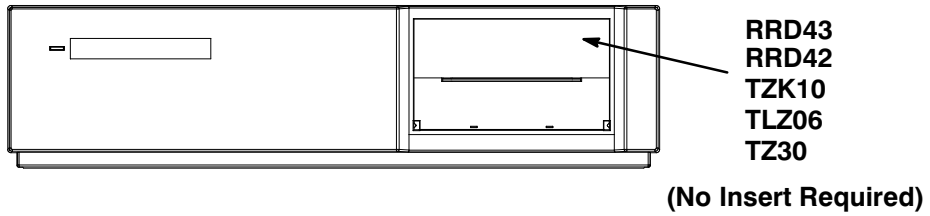
Figure 2. Kernel Assembly, DEC 3000 Model 400 (Sheet 2 of 3)



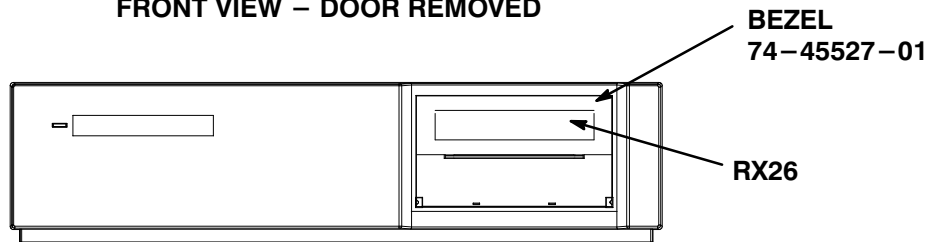
FRONT VIEW – DOOR REMOVED



FRONT VIEW – DOOR REMOVED



FRONT VIEW – DOOR REMOVED



CONFIGURATIONS FOR REMOVEABLE MEDIA DEVICES

PE40A-02B-IL

Figure 2. Kernel Assembly, DEC 3000 Model 400 (Sheet 3 of 3)

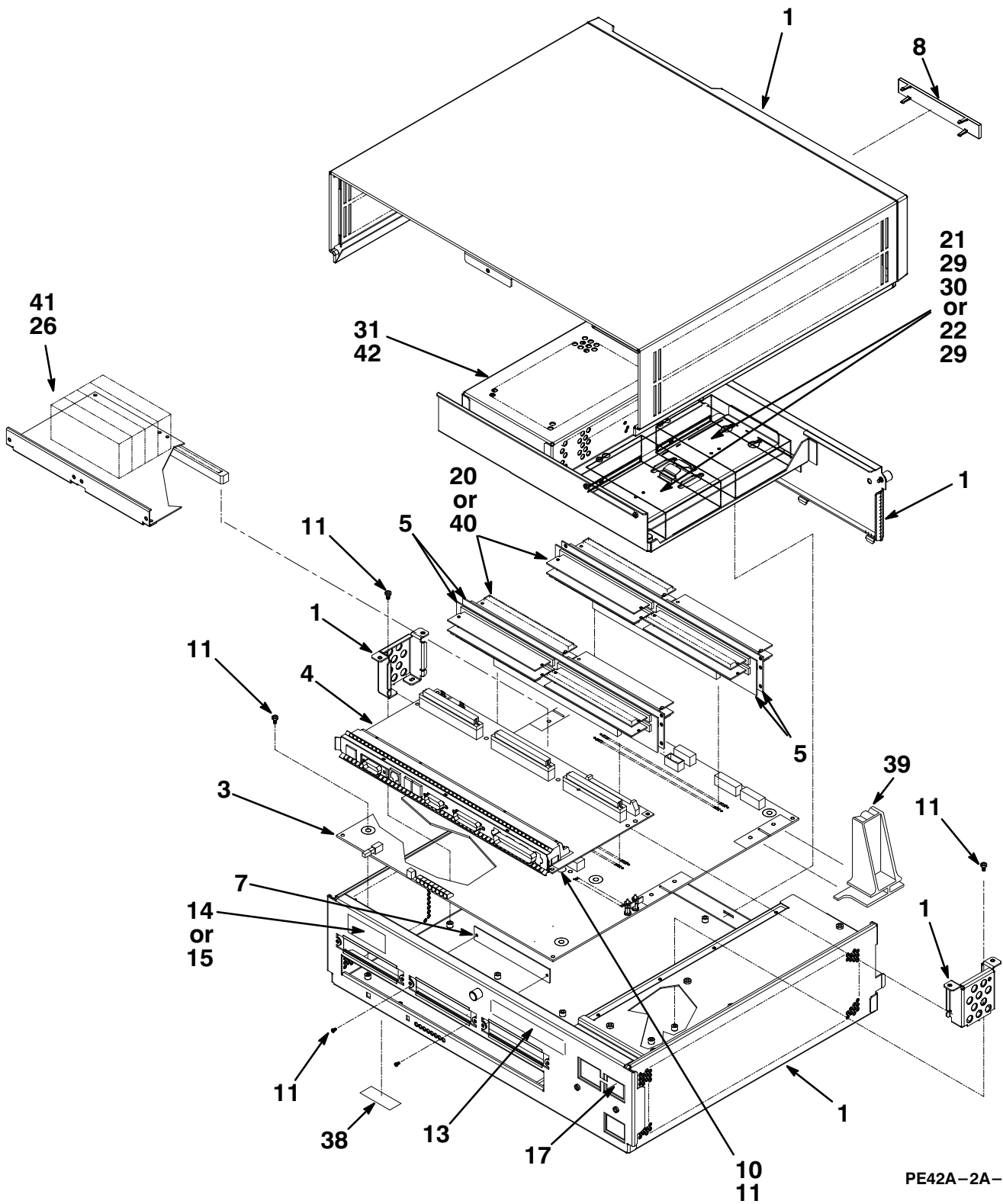
FIG. & ITEM NO.	DESCRIPTION	DEC PART NO. <sup>H</sup>	ECO CUT-IN PE40A 00000	USED ON CODE	REF FIG NO.
2-	KERNEL ASSEMBLY, DEC 3000 MODEL 400				1
	Code A – KERNEL ASSEMBLY	PE40A-A9		A	
	Code B – KERNEL ASSEMBLY	PE40A-B9		B	
	Code C – KERNEL ASSEMBLY	PE40A-BA		C	
	Code D – KERNEL ASSEMBLY	PE40A-CA		D	
	Code E – KERNEL ASSEMBLY	PE40A-CB		E	
	Code F – KERNEL ASSEMBLY	PE40A-CC		F	
	Code H – KERNEL ASSEMBLY	PE40A-CD		H	
	Code J – KERNEL ASSEMBLY	PE40A-DA		J	
	Code K – KERNEL ASSEMBLY	PE40A-DB		K	
	Code L – KERNEL ASSEMBLY	PE40A-DC		L	
	Code M – KERNEL ASSEMBLY	PE40A-DD		M	
	Code N – KERNEL ASSEMBLY	PE40A-EA		N	
	Code P – KERNEL ASSEMBLY	PE40A-EB		P	
	Code R – KERNEL ASSEMBLY	PE40A-EC		R	
	Code S – KERNEL ASSEMBLY	PE40A-ED		S	
	Code T – KERNEL ASSEMBLY	PE40A-FA		T	
	Code U – KERNEL ASSEMBLY	PE40A-HA		U	
	Code V – KERNEL ASSEMBLY	PE40A-HB		V	
	Code W – KERNEL ASSEMBLY	PE40A-JA		W	
	Code X – KERNEL ASSEMBLY	PE40A-JB		X	
	Code Y – KERNEL ASSEMBLY	PE40A-KA		Y	
	Code Z – KERNEL ASSEMBLY	PE40A-KB		Z	
	Code A1 – KERNEL ASSEMBLY	PE40A-LA		A1	
	Code B1 – KERNEL ASSEMBLY	PE40A-LB		A2	
	NOTE: USED ON CODES APPLY TO THIS FIGURE ONLY.				
1	*ENCLOSURE ASSEMBLY, ALPHA WORK-STATION DESKTOP	BA47A-A9			3
2	*Module, 24 Bit Z-Buffer Option	PMAG-HA	00005	JLUV	
3	*Drive, RRD42 CD-ROM Disk (deleted)	RRD42-AA		E,H-S, U-A2	
4	*Drive, RZ25 (Factory Inst.) SCSI Disk (deleted)	RZ25-E	00003	CDFT	
5	*Drive, RZ26 (deleted)	RZ26-EJ	00003	E,H-S, U-A2	
6	*Drive, TZK10 (Factory Inst.) SCSI	TZK10-AA		T	
7	*Grommet, Rubber	12-31734-01		C-A2	
8	*Label, Serial (Made in USA)	36-34565-17		A,C-A2	
	*Label, Serial (Made in UK)	36-34565-18		A,C-A2	
9	*Label, Factory Installed Software	36-28979-01		A-S, U-A2	
10	*Package Assembly (See Note)	37-01378-01			
11	*Module, SIMM Memory 1/2/4/8 MB	54-21139-BA		C,J-M, A1,A2	

FIG. & ITEM NO.	DESCRIPTION	H DEC PART NO.	ECO CUT-IN PE40A 00000	USED ON CODE	REF FIG NO.
2-					
12	*Module, SIMM Memory 1/2/4/8 MB	54-21139-CA		D-M,RS, A1,A2	
13	*Module, SIMM Memory 1/2/4/8 MB	54-21139-DA		NPT,U-Z	
14	*Module, CX TURBO	54-21143-03		C-H,NPT	
15	*Module, System	54-21149-02			
16	*Module, I/O	54-21813-01			
17	*Module, MMB	54-21815-01			
18	*Graphics Assembly, Low-End 3D+ 72Hz	70-28325-02		JLUV	
19	*Graphics Assembly, High-End 3D+ 72 Hz	70-28327-02		KMYZ	
20	*Accessory Kit, RRD42 (See Note) (deleted)	70-28346-01	00005	E,H-S, U-A2	
21	*Accessory Kit, DEC 3000 Model 400 (Not Shown)	70-30289-01		A,C-A2 U-A2	
22	*Blank, Bulkhead Assembly	74-41143-05		A-J,L,N-X A1,A2	
23	*Plate, Support	74-41364-02		CDFT	
24	*Medallion	74-44838-01			
25	*Insert, Bezel	74-45527-02		A-D,F	
26	*Plug, ISDN (deleted)	74-46104-01	00003		
27	*Washer, Flat Nylon	90-08992-00			
28	*Screw, Sems Pan Hd No. 6-32 x 5/16 XRCS	90-09984-07			
29	*Screw, Mach M3 Pan 6mm XRCS	90-10961-02		T	
30	*Documentation, "Guide to Using VMS FI" (See Note) (deleted)	EK-A0377-UG		ABFH LMPR	
31	*Documentation, "High 3D Graphics TURBOchannel" (See Note)	EK-H3DOM-TC		KMYZ	
32	*Documentation, "Low 3D Graphics TURBOchannel" (See Note)	EK-L3DOM-TC		JLUV	
33	*Accessory Kit, TZK10 (See Note)	70-28335-01		T	
34	*Accessory Kit, DEC 3000 Model 400 (See Note)	70-30289-02		B	
35	*Label, Austel Warning	36-39563-01			
36	*Label, S/N, DEC 3000, Model 400S (USA)	36-34565-27		B	
	*Label, S/N, DEC 3000, Model 400S (UK)	36-34565-28		B	
37	*Documentation, "Guide to Installing DEC OSF/1" (deleted)	AA-PS2DA-TE		A-EJKNS	
38	*Frame Buffer, TURBOchannel	30-35790-02		RS	
39	*Cable Assembly, COAX (Not Shown)	17-02906-01		C-A2	
40	*Documentation, "Smart Frame Buffer TURBOchannel Module" (See Note) (added)	EK-SFBOM-TC		C-H,PRT,	
41	*Module Assembly, Mid Range 3D+ Graphics (See Note) (added)	70-28326-02		WX,A1,A2	
42	*Documentation, "Mid 3D Graphics TURBOchannel Module" (See Note) (added)	EK-M3DOM-TC		WX, A1,A2	
	NOTE: This item not shown.				

FIG. & ITEM NO.	DESCRIPTION	DEC PART NO. <sup>H</sup>	ECO CUT-IN PE40A 00000	USED ON CODE	REF FIG NO.
2-					
43	*Drive, RZ25L 3.5 Inch SCSI Disk (added)	RZ25L-E	00003	CDFT	
44	*Drive, RZ26L Formatted (added)	RZ26L-E	00003	E,J-S, U-A2	
45	*Guide, MMB (added)	74-47921-01	00003		
46	*Label, PTT Netherlands (See Note) (added)	36-36124-08	00003		
47	*Documentation, RZ26L Data Sheet (added)	EK-RZ26L-IS	00003	E,H-S, U-A2	
48	*Drive, RRD43 5.25 Inch Dual Speed (added) (RRD42-AA and 70-28346-01 may be substituted for the RRD43-AA.)	RRD43-AA	00005	E,H-S U-A2	
49	*Screw, Pan Hd Machine 5mm (added)	90-10981-01	00005	E,H-S U-A2	
50	*Label, CE Mark (added)	36-36842-01	00005		
	<b>NOTE: This item note shown.</b>				

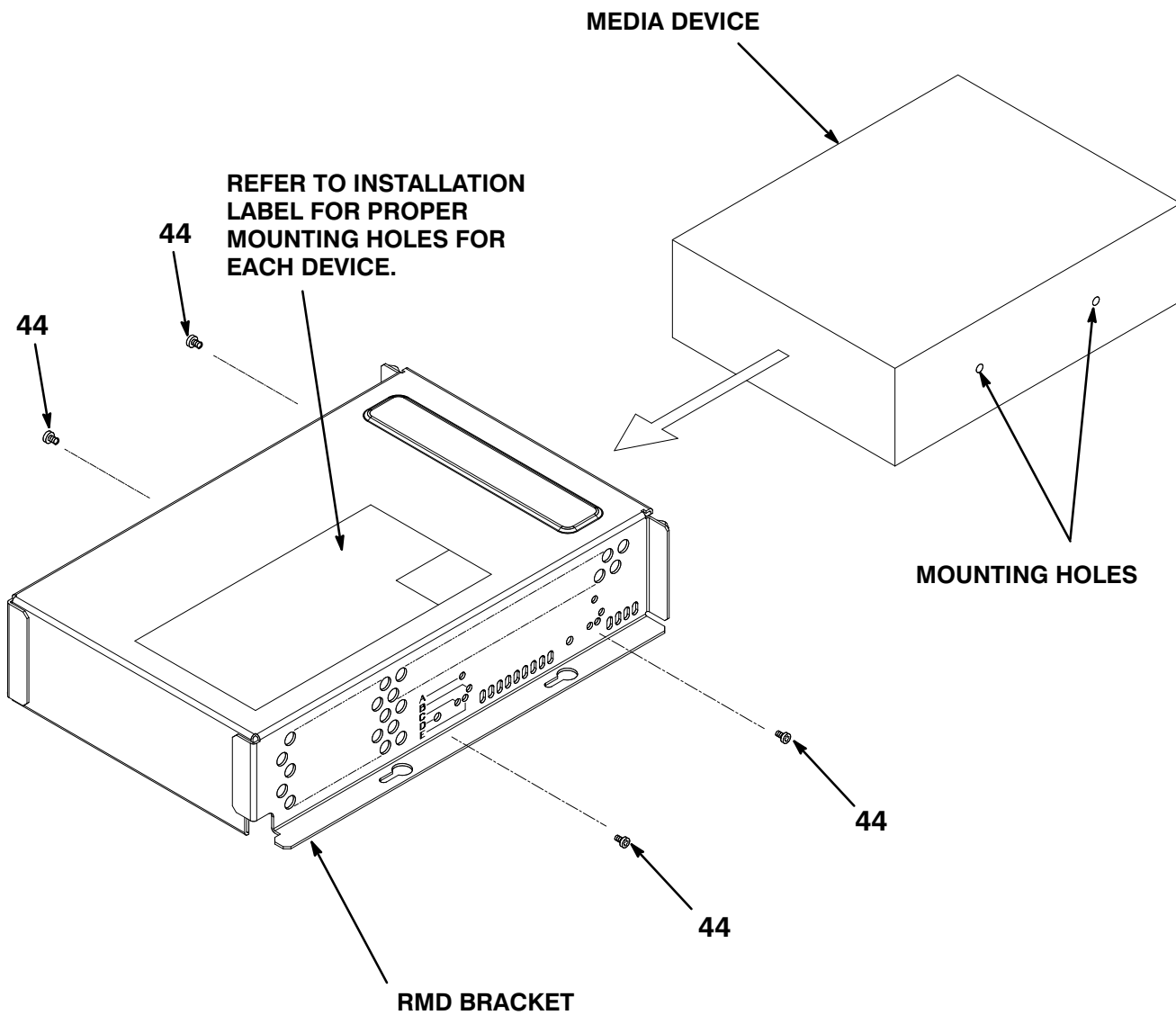


**PARTS LIST**



PE42A-2A-IL

**Figure 2A. Kernel Assembly, DEC 3000 Model 600 (Sheet 1 of 3)**

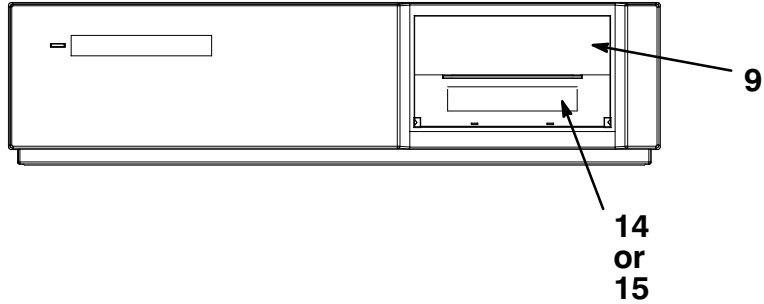


PE42A-2B-IL

Figure 2A. Kernel Assembly, DEC 3000 Model 600 (Sheet 2 of 3)

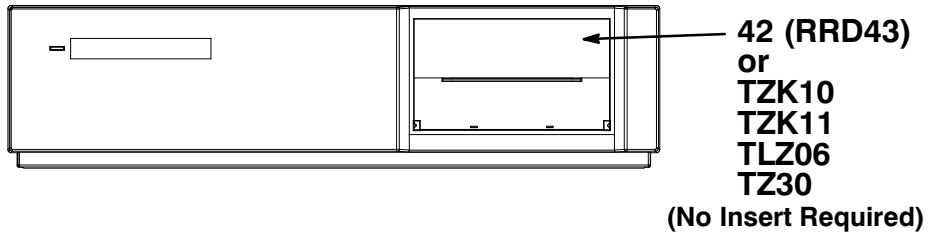


FRONT VIEW – DOOR REMOVED

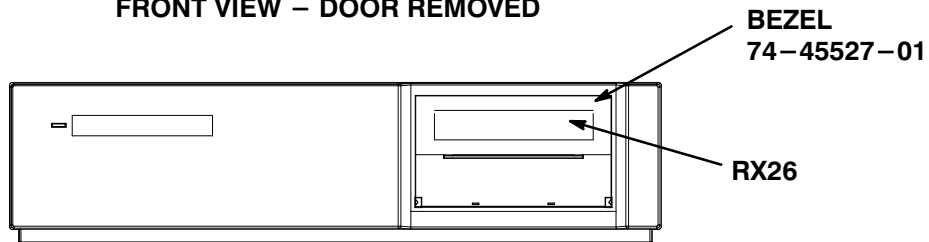


FRONT VIEW – DOOR REMOVED

ONE OF THE FOLLOWING



FRONT VIEW – DOOR REMOVED



CONFIGURATIONS FOR REMOVEABLE MEDIA DEVICES

PE42A-2C-IL

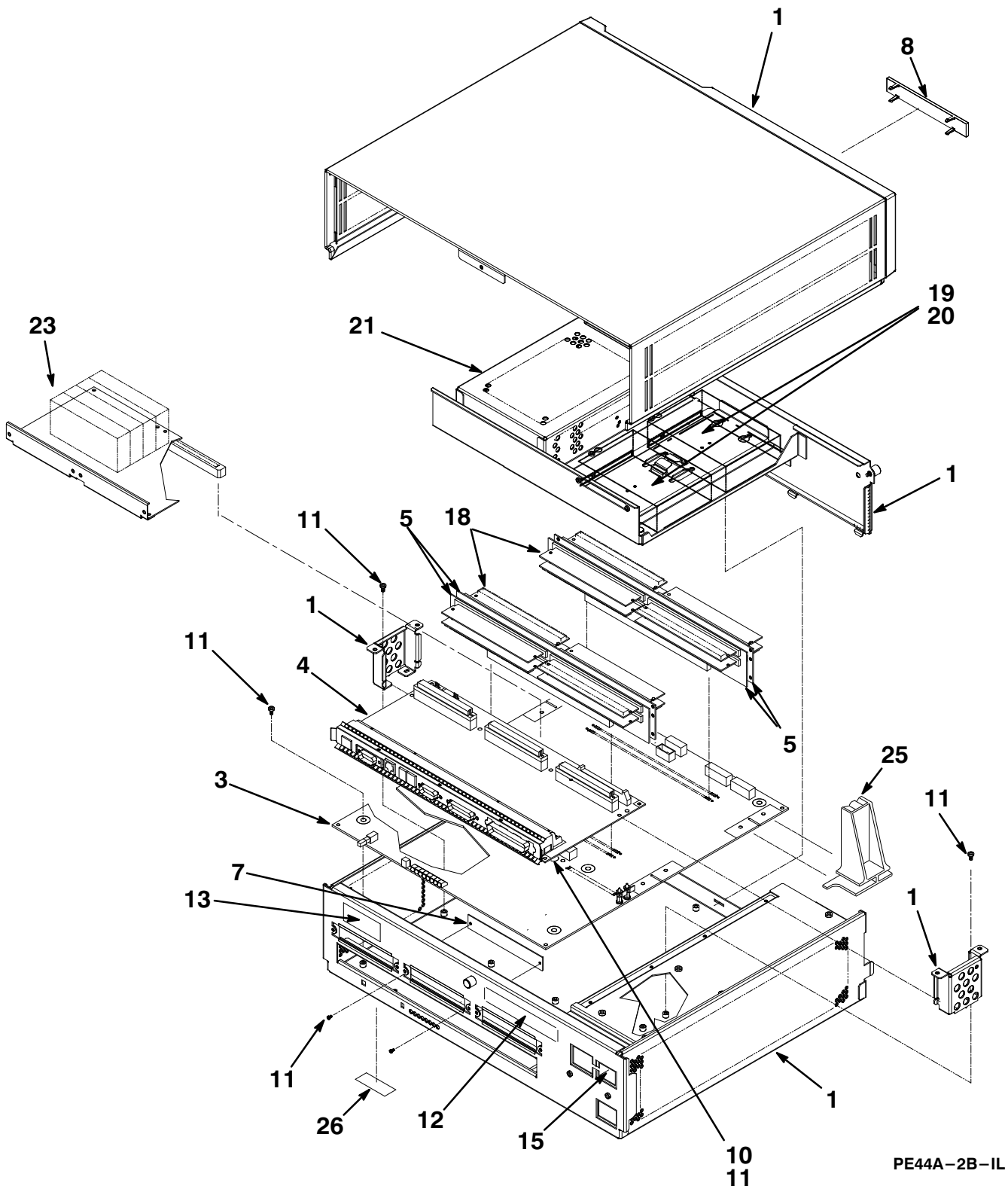
Figure 2A. Kernel Assembly, DEC 3000 Model 600 (Sheet 3 of 3)

FIG. & ITEM NO.	DESCRIPTION	DEC PART NO.	ECO CUT-IN PE42A 00000	USED ON CODE	REF FIG NO.
2A-	KERNEL ASSEMBLY, DEC 3000 MODEL 600				1A
	Code A – KERNEL ASSEMBLY	PE42A-A9		A	
	Code B – KERNEL ASSEMBLY	PE42A-AA		B	
	Code C – KERNEL ASSEMBLY	PE42A-AB		C	
	Code D – KERNEL ASSEMBLY	PE42A-B9		D	
	Code E – KERNEL ASSEMBLY	PE42A-BA		E	
	Code F – KERNEL ASSEMBLY	PE42A-BB		F	
	Code G – KERNEL ASSEMBLY	PE42A-EA		G	
	Code H – KERNEL ASSEMBLY	PE42A-EB		H	
	Code J – KERNEL ASSEMBLY	PE42A-HA		J	
	Code K – KERNEL ASSEMBLY	PE42A-HB		K	
	Code L – KERNEL ASSEMBLY	PE42A-JA		L	
	Code M – KERNEL ASSEMBLY	PE42A-JB		M	
	Code N – KERNEL ASSEMBLY	PE42A-MA		N	
	NOTE 1 : USED ON CODES APPLY TO THIS FIGURE ONLY.				
1	*ENCLOSURE ASSEMBLY, ALPHA WORK-STATION DESKTOP	BA47A-A9			3
2	*Package Assembly (See Note 2)	37-01378-01			
3	*Module, DEC3000 Model 600/600S CPU	54-23153-03			
4	*Module, I/O Model 600/600S	54-21813-02			
5	*Module, MMB	54-21815-01			
6	*Accessory Kit, DEC 3000 Model 600 (See Note 2)	70-30289-03		ABC, E-N	
7	*Blank, Bulkhead Assembly	74-41143-05			
8	*Medallion (added)	74-44838-01	PE421-DSG001		
9	*Insert, Bezel	74-45527-02		A-D,JK	
10	*Washer, Flat Nylon	90-08992-00			
11	*Screw, Sems Pan Hd No. 6-32 x 5/16 XRCS	90-09984-07			
12	*Accessory Kit, DEC 3000 Model 600 (See Note 2)	70-30289-04		D	
13	*Label, Austel Warning	36-39563-01			
14	*Label, Serial BA47A (Made in USA)	36-34565-42		ABC,E-N	
	*Label, Serial BA47A (Made in UK)	36-34565-43		ABC,E-N	
15	*Label, S/N, DEC 3000, Model 600S (USA)	36-34565-44		C	
	*Label, S/N, DEC 3000, Model 600S (UK)	36-34565-45		C	
16	*Documentation, "Guide to Using F.I. VMS" (See Note 2)	EK-A0377-UG		J-N	
	NOTE 2 : This item not shown.				

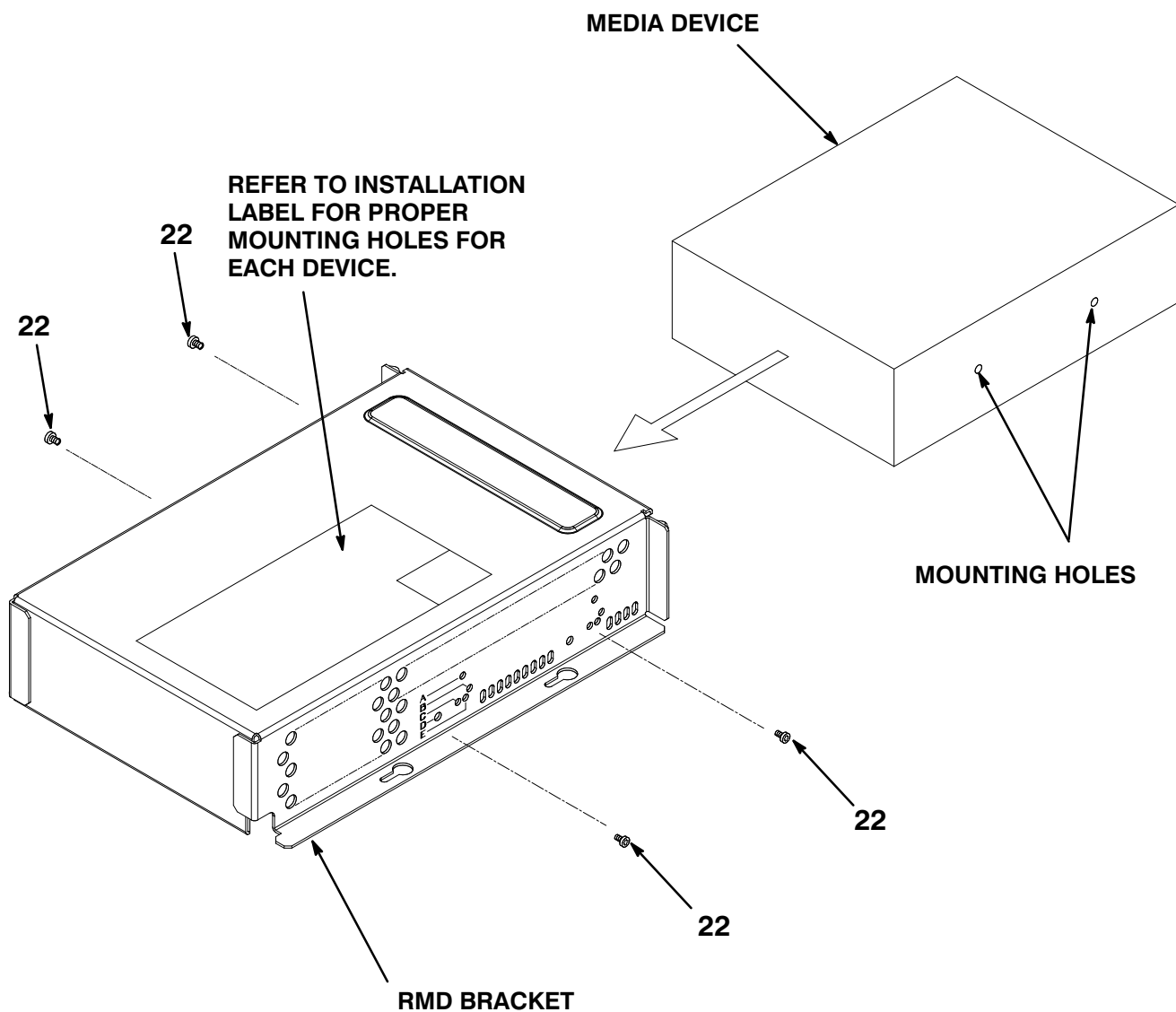
FIG. & ITEM NO.	DESCRIPTION	DEC PART NO.	ECO CUT-IN PE42A 00000	USED ON CODE	REF FIG NO.
2A-					
17	*Label, Factory Installed Software	36-28979-01			
18	*Documentation, OSF Factory Installed User Guide (See Note 3)	EK-SFFIS-UG		BC,E-J	
19	*Cable Assembly, COAX (See Note 3)	17-02906-01		BC,E-N	
20	*Module, SIMM Memory 1/2/4/8 MB	54-21139-CA		BCEF,J-M	
21	*Drive, RZ25 (Factory Inst.) SCSI Disk	RZ25L-E		BCJK	
22	*Drive, RZ26 SCSI	RZ26L-E		E-H,LMN	
23	Not Used				
24	Not Used				
25	Not Used				
26	*Module, CX TURBO	54-21143-03		BEGJL	
27	Not Used				
28	Not Used				
29	*Grommet, Rubber	12-31734-01		BC,E-N	
30	*Plate, Support RZ24	74-41364-02		BCJK	
31	*Drive, RRD42 CD-ROM Disk (deleted)	RRD42-AA	PE421-DSG001		
32	*Screw, Mach M3 Pan 6mm (deleted)	90-10961-02	PE421-DSG001		
33	*Accessory Kit, RRD42 (deleted)	70-28346-01	PE421-DSG001		
34	Not Used				
35	Not Used				
36	*Documentation, "Smart Frame Buffer TURBOchannel Module" (See Note 3)	EK-SFBOM-TC		BEGJL	
37	*Medallion (deleted)	74-44838-03	PE421-DSG001		
38	*Label, CE Mark (added)	36-36842-01	PE421-DSG001		
39	*Guide, MMB (added)	74-47921-01			
40	*Module, SIMM Memory 1/2/4/8 MB (added)	54-21139-DA		GHN	
41	*Module, Smart Frame Buffer Plus 8 (added)	54-22861-01		CFHKMN	
42	*Drive, RRD43 CD-ROM (added)	RRD43-AA		EFGHLMN	
43	*Documentation, Smart Frame Buffer Plus Guide (added)	EK-SMFBP-SG		CFHKMN	
44	*Screw, Pan Hd Machine 5mm (added)	90-10981-01	PE421-DSG001		
	NOTE 3 : This item not shown.				

THIS PAGE INTENTIONALLY LEFT BLANK

**PARTS LIST**



**Figure 2B. Kernel Assembly, DEC 3000 Model 700 (Sheet 1 of 3)**



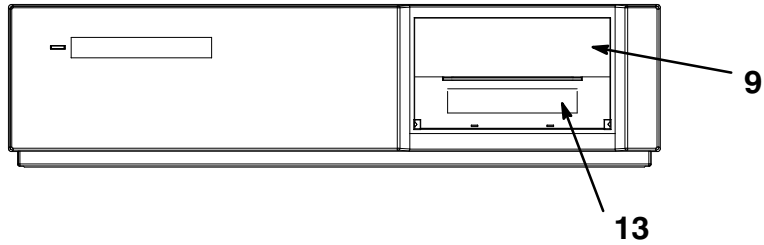
PE44A-2C-IL

Figure 2B. Kernel Assembly, DEC 3000 Model 700 (Sheet 2 of 3)



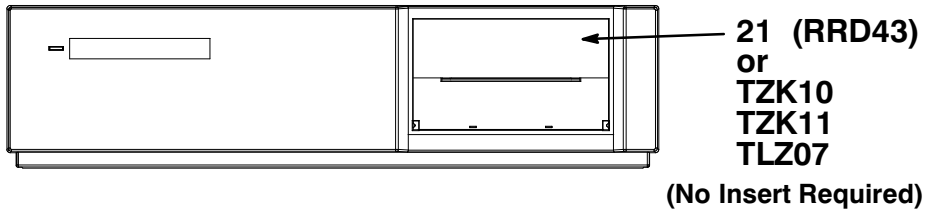


FRONT VIEW – DOOR REMOVED

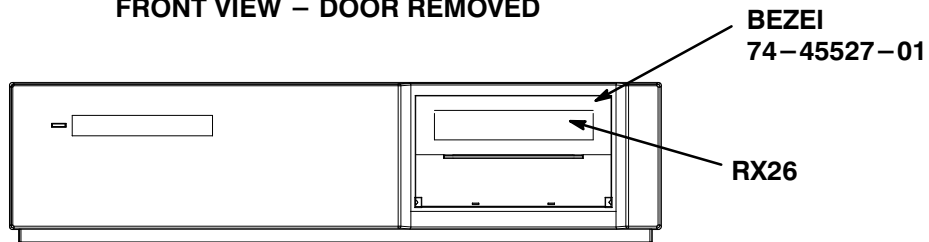


FRONT VIEW – DOOR REMOVED

ONE OF THE FOLLOWING



FRONT VIEW – DOOR REMOVED

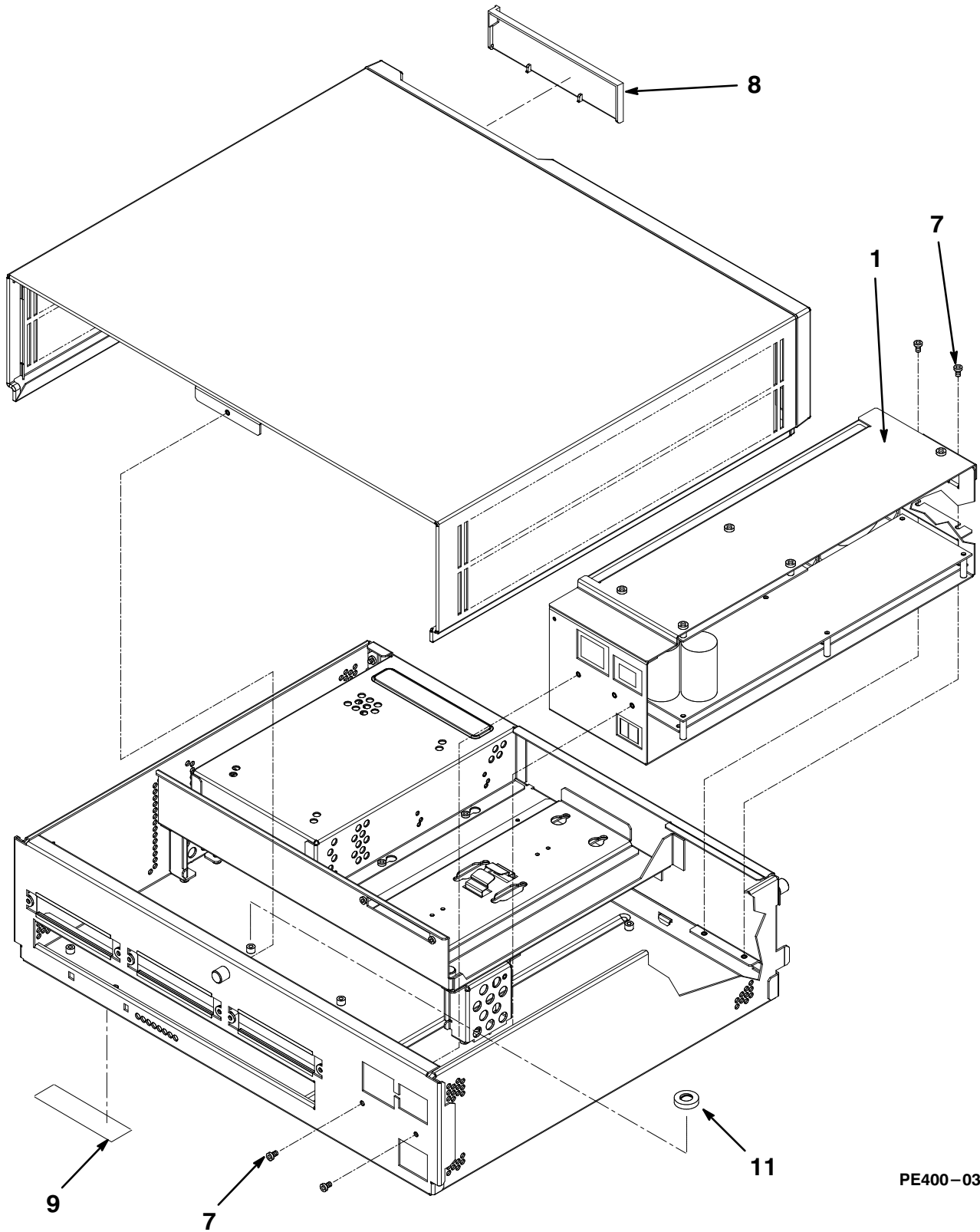


CONFIGURATIONS FOR REMOVEABLE MEDIA DEVICES

PE44A-02D-IL

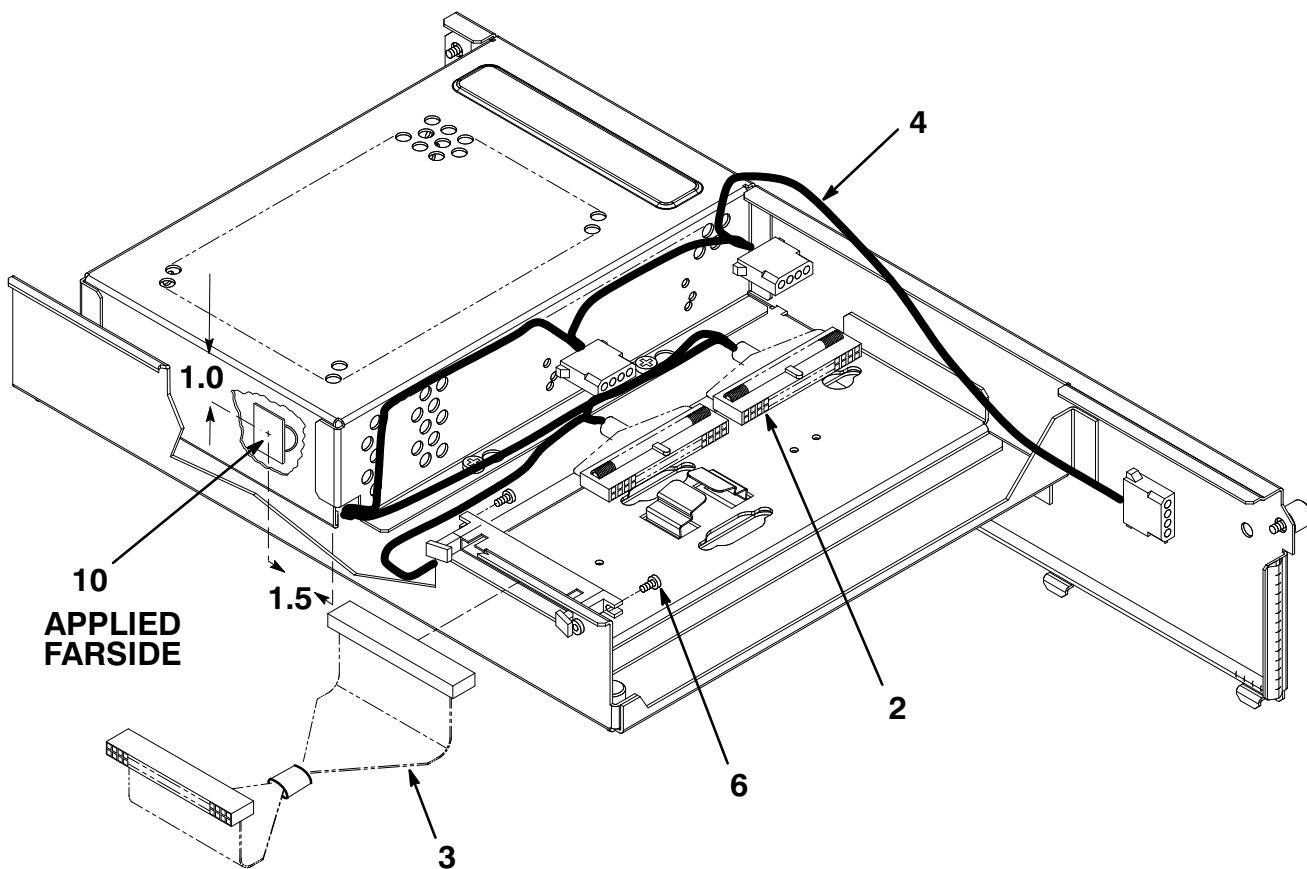
Figure 2B. Kernel Assembly, DEC 3000 Model 700 (Sheet 3 of 3)

FIG. & ITEM NO.	DESCRIPTION	DEC PART NO. <sup>A</sup>	ECO CUT-IN PE44A 00000	USED ON CODE	REF FIG NO.
2B-	KERNEL ASSEMBLY, DEC 3000 MODEL 700				1B
	Code A – KERNEL ASSEMBLY DEC 3000/700	PE44A-A9		A	
	Code B – KERNEL ASSEMBLY DEC 3000/700	PE44A-AA		B	
	Code C – KERNEL ASSEMBLY DEC 3000/700	PE44A-LA		C	
	NOTE 1 : USED ON CODES APPLY TO THIS FIGURE ONLY.				
1	*ENCLOSURE ASSEMBLY, ALPHA WORK-STATION DESKTOP	BA47A-A9			3
2	*Package Assembly (See Note 2)	37-01378-01			
3	*Module, DEC3000 Model 700 CPU	54-23153-05			
4	*Module, I/O Model 600/600S	54-21813-02			
5	*Module, MMB	54-21815-01			
6	*Accessory Kit, DEC 3000 Model 600 (See Note 2)	70-30289-03			
7	*Blank, Bulkhead Assembly	74-41143-05			
8	*Medallion	74-44838-01			
9	*Insert, Bezel	74-45527-02		A	
10	*Washer, Flat Nylon	90-08992-00			
11	*Screw, Sems Pan Hd No. 6-32 x 5/16 XRCS	90-09984-07			
12	*Label, Austel Warning	36-39563-01			
13	*Label, S/N, DEC 3000, Model 700 (USA)	36-34565-57			
	*Label, S/N, DEC 3000, Model 700 (UK)	36-34565-58			
14	*Documentation, "Guide to Using F.I. VMS" (See Note 2)	EK-A0377-UG		C	
15	*Label, Attention Preinstalled Software	36-28979-01			
16	*Documentation, OSF Factory Installed User Guide (See Note 2)	EK-SFFIS-UG		B	
17	*Cable Assembly, COAX (See Note 2)	17-02906-01		BC	
18	*Module, SIMM Memory 1/2/4/8 MB	54-21139-CA		BC	
19	*Drive, RZ26 SCSI	RZ26L-E		BC	
20	*Grommet, Rubber	12-31734-01		BC	
21	*Drive, RRD43 CD-ROM	RRD43-AA		BC	
22	*Screw, Pan Hd Machine 5mm	90-10981-01		BC	
23	*Module, Smart Frame Buffer Plus 8 Plane	54-22861-01		BC	
24	*Documentation, Smart Frame Buffer Plus Guide	EK-SMFBP-SG		BC	
25	*Guide, MMB	74-47921-01			
26	*Label, CE Mark	36-36842-01			
	NOTE 2: This item not shown.				



PE400-03-IL

Figure 3. Enclosure Assembly, Alpha Workstation Desktop (Sheet 1 of 3)



PE400-03A-IL

**Figure 3. Enclosure Assembly, Alpha Workstation Desktop (Sheet 2 of 3)**

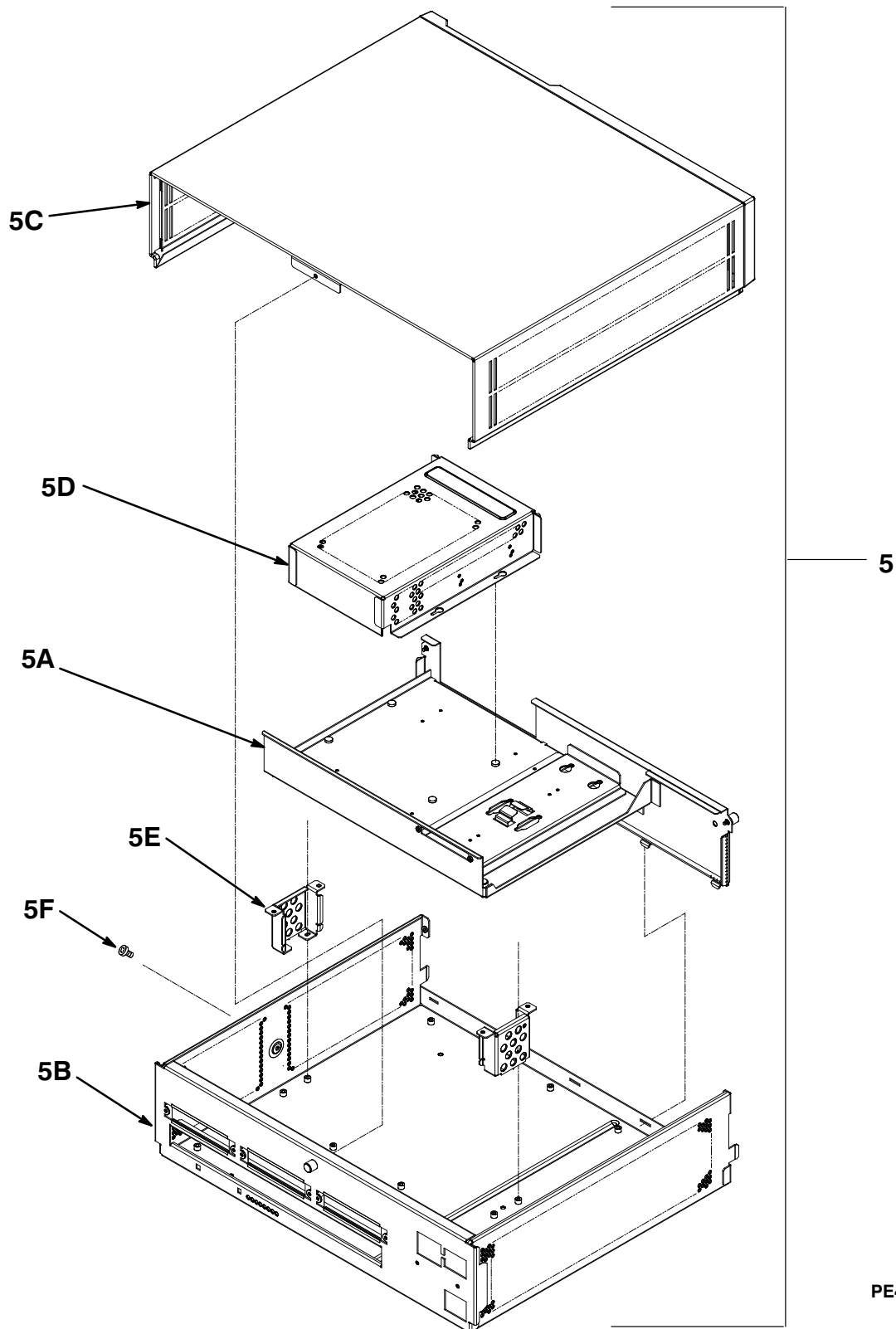
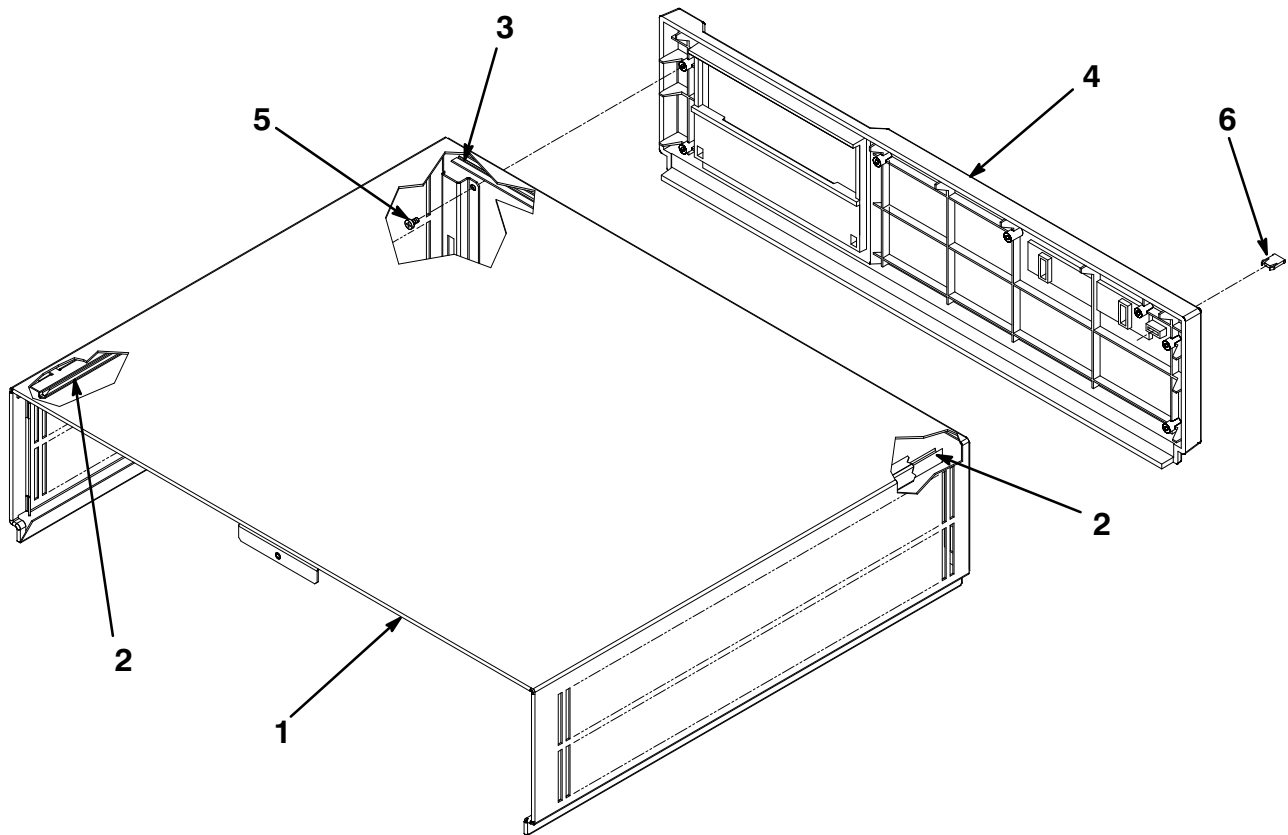


Figure 3. Enclosure Assembly, Alpha Workstation Desktop (Sheet 3 of 3)

FIG. & ITEM NO.	DESCRIPTION	DEC PART NO. <sup>D</sup>	ECO CUT-IN BA47A 00000	USED ON CODE	REF FIG NO.
3-	ENCLOSURE ASSEMBLY, ALPHA WORKSTATION DESKTOP	BA47A-A9			2,2A 2B
1	*Power Supply, 88/132 OR 176/264 VAC (Range Auto Selected)	H7816-AA			
2	*Cable Assembly, 50 Cond. Round	17-03487-01			
3	*Cable Assembly, 50 Cond. Round	17-03488-01			
4	*Wire Harness Assembly, 12 Cond.	17-03489-01			
5	*KIT ASSEMBLY, ENCLOSURE	70-30276-01			
5A	**PLATE ASSEMBLY, DRIVE	70-30262-01			5
5B	**ENCLOSURE ASSEMBLY	70-29568-01			6
5C	**COVER ASSEMBLY	70-29546-01			4
5D	**Bracket, RMD	74-44842-01			
5E	**Support, Drive Plate	74-45099-01			
5F	**Screw, Sems Pan Hd No. 6-32 x 3/8	90-00049-24			
6	*Screw, Sems Phil Pan Hd No. 4-40 x 1/2	90-09643-03			
7	*Screw, Hex Socket Cap No. 6-32 x 1/4	90-08043-08			
8	*Door, LSM	74-44620-01			
9	*Label, Regulatory (added)	36-38923-03	00001		
10	*Clip, Cable Adh. Back (added) (See Note)	12-18912-05	00002		
11	*Insulator, Ring (added)	12-41790-01	00003		
	Note: Part number 12-36915-02 is an acceptable alternate.				

FIG. & ITEM NO.	DESCRIPTION	DEC PART NO. <sup>A</sup>	ECO CUT-IN 70-29546 00000	USED ON CODE	REF FIG NO.
4-	COVER ASSEMBLY	70-29546-01			3
1	*Cover Weldment	70-29567-01			
2	*Shield, EMI/RFI	12-35478-02			
3	*Shield, RFI Gasket (18.30 Inch Adh Bk)	12-28686-21			
4	*Bezel, Front	74-44844-01			
5	*Screw, Phi Pan Hd No. 6-20 x 3/8	90-10022-01			
6	*Light, Pipe	74-44619-01			

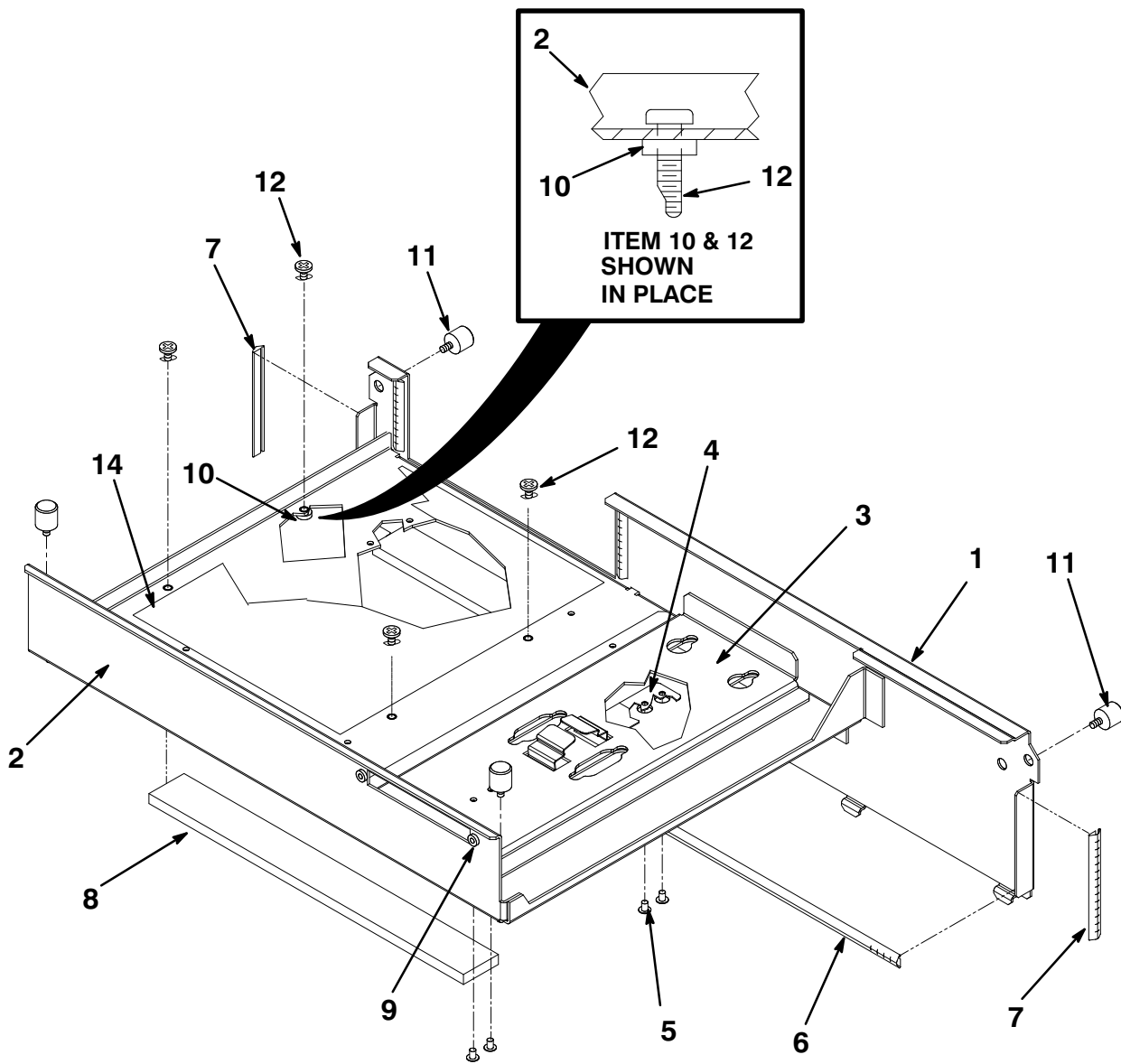


PE400-04-IL

Figure 4. Cover Assembly

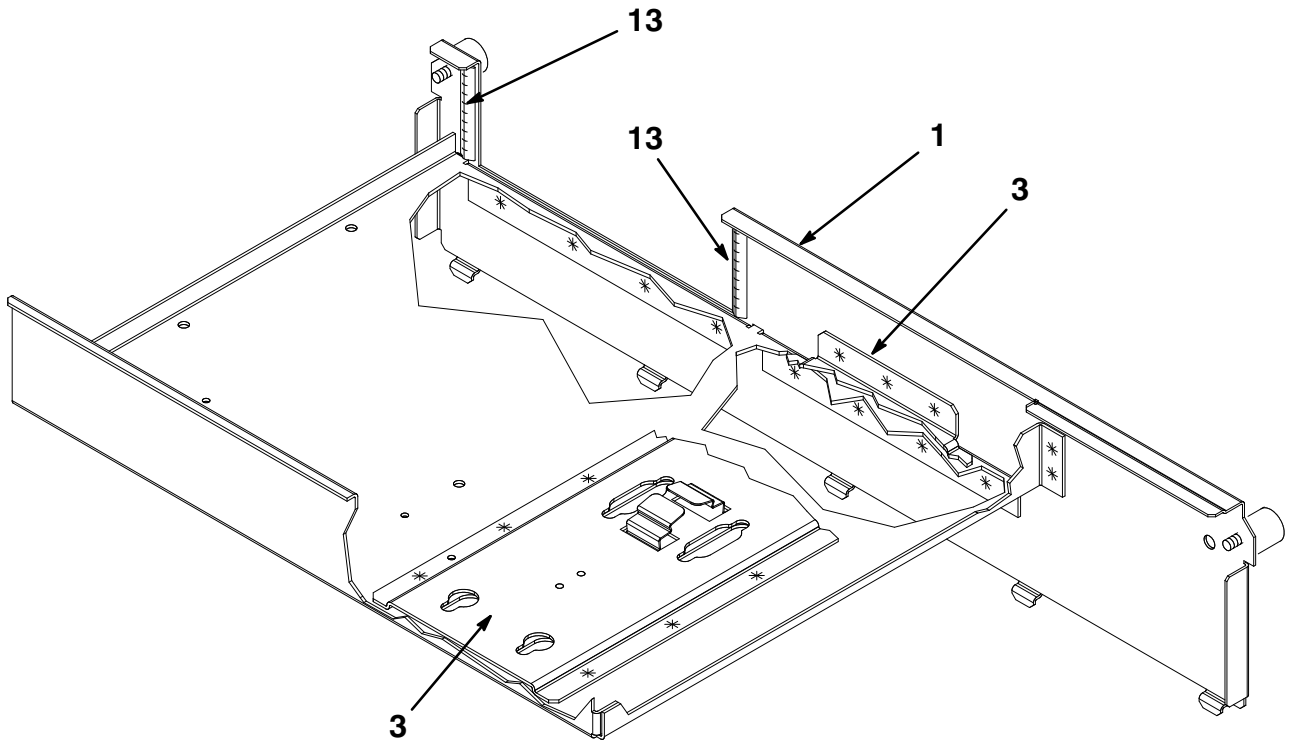
THIS PAGE INTENTIONALLY LEFT BLANK





PE400-05-IL

Figure 5. Plate Assembly, Drive (Sheet 1 of 2)



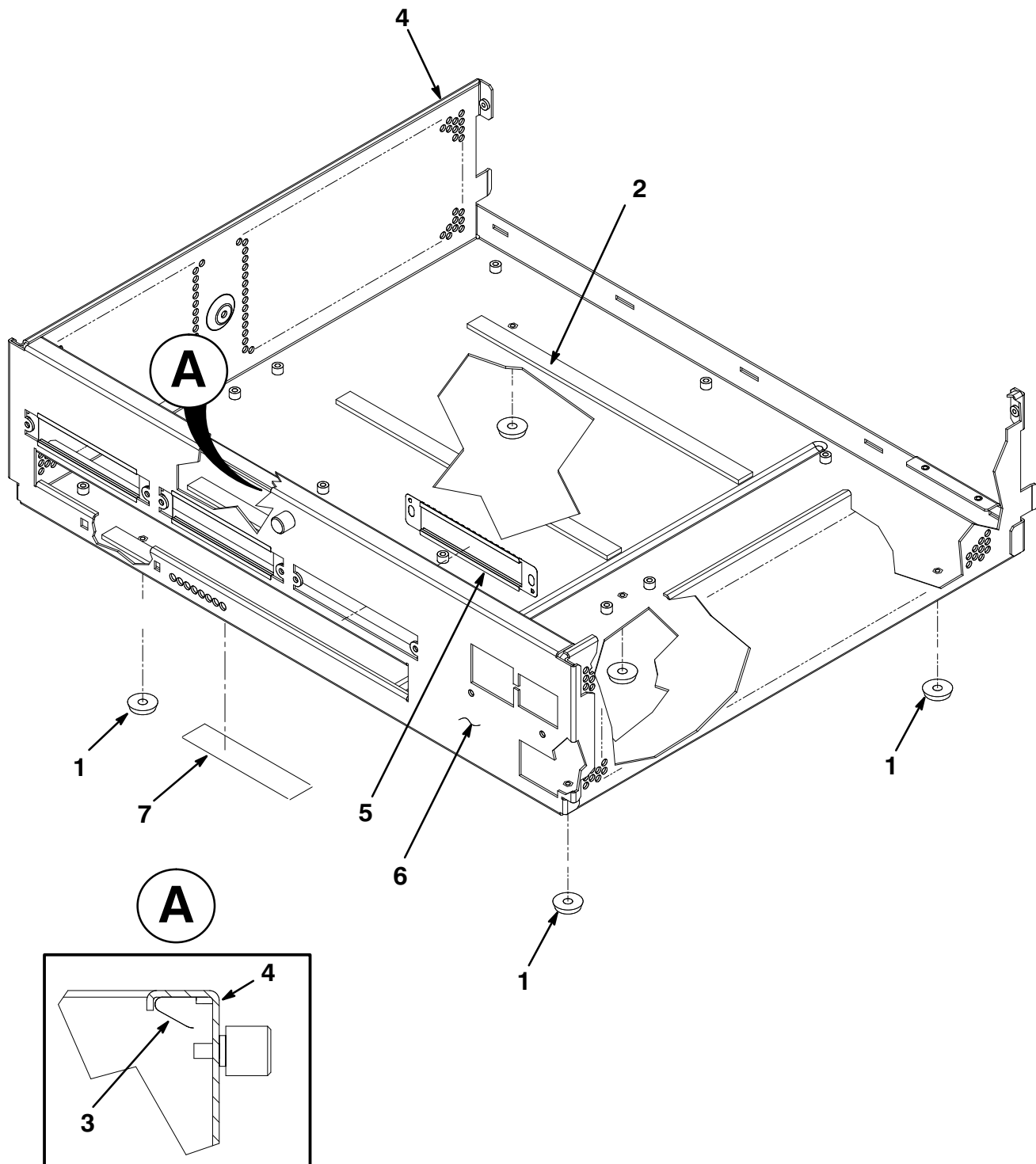
**WELDMENT DETAIL**

PE400-05A-IL

**Figure 5. Plate Assembly, Drive (Sheet 2 of 2)**

FIG. & ITEM NO.	DESCRIPTION	DEC PART NO. <sup>c</sup>	ECO CUT-IN 70-30262 00000	USED ON CODE	REF FIG NO.
5-	PLATE ASSEMBLY, DRIVE	70-30262-01			3
1	*Plate, Front	74-44840-01			
2	*Plate, Drive	74-44841-01			
3	*Channel, RZ Mount	74-44843-01			
4	*Spring, Retaining	74-39211-01			
5	*Rivet, Semi-Tubular Oval (.120DX)	90-10435-07			
6	*Shield, RFI Gasket 18.30 Inch Adh Back	12-28686-21			
7	*Fingerstock (2.60 LG)	12-28686-17			
8	*Pad, Foam (9 Inch x 1 Inch x 1/4 Inch PE Adh)	90-11275-06			
9	*Insert, Thread (Self-clinch)	90-09150-01			
10	*Insert, Thread	90-08870-00			
11	*Screw, Captive Retrac Press-In	12-32249-01			
12	*Screw, Sems Pan Hd No. 6-32 x 3/8	90-00049-24			
13	*Fingerstock (1.85 LG)	12-28686-15			
14	*Insulator, LEXAN® (7.6 x .015 x 5.5)	12-35811-01			

THIS PAGE INTENTIONALLY LEFT BLANK



**SHOWING ORIENTATION  
FOR SHIELD, ITEM 3**

PE400-06-IL

**Figure 6. Enclosure Assembly**

FIG. & ITEM NO.	DESCRIPTION	DEC PART NO. <sup>c</sup>	ECO CUT-IN 70-29568 00000	USED ON CODE	REF FIG NO.
6-	ENCLOSURE ASSEMBLY	70-29568-01			3
1	*Bumper, Round (Ahd Bk Poly)	90-10728-03			
2	*Pad, Foam	90-11275-04			
3	*Shield, EMI/RFI	12-35478-01			
4	*Enclosure	74-44836-01			
5	*Gasket, Turbo	74-44251-01			
6	*Label, Rear I/O	36-38808-01			
7	*Label, Regulatory (deleted)	36-38923-03	00001		

Ω

**PART NUMBER/DESCRIPTION INDEX** 

**THIS PAGE INTENTIONALLY LEFT BLANK**



**INDEX BY DEC PART NUMBER**  
**DEC 3000 Models 400/600/700**

PART NO.	DESCRIPTION	FIG NO.	ITEM NO.
12-28686-15	Fingerstock (1.85 LG)	5	13
12-28686-17	Fingerstock (2.60 LG)	5	7
12-28686-21	Shield, RFI Gasket (18.30 Inch Adh Back)	4	3
12-28686-21	Shield, RFI Gasket (18.30 Inch Adh Back)	5	6
12-18912-05	Clip, Cable Adh. Back (added)	3	10
12-31734-01	Grommet, Rubber	2	7
12-31734-01	Grommet, Rubber	2B	20
12-32249-01	Screw, Captive Retrac Press-In	5	11
12-35478-01	Shield, EMI/RFI	6	3
12-35478-02	Shield, EMI/RFI	4	2
12-35811-01	Insulator, LEXAN® (7.6 x .015 x 5.5)	5	14
12-41790-01	Insulator, Ring (added)	3	11
17-00083-39	Cord, Power (US)	1	6
17-00083-39	Cord, Power (US)	1A	6
17-02906-01	Cable Assembly, COAX	2	39
17-02906-01	Cable Assembly, COAX	2A	19
17-02906-01	Cable Assembly, COAX	2B	17
17-03487-01	Cable Assembly, 50 Cond. Round	3	2
17-03488-01	Cable Assembly, 50 Cond. Round	3	3
17-03489-01	Wire Harness Assembly, 12 Cond.	3	4
30-35790-02	Frame Buffer, TURBOchannel	2	38
36-28979-01	Label, Factory Installed Software	2	9
36-28979-01	Label, Factory Installed Software	2A	17
36-34565-17	Label, Serial (Made in USA)	2	8
36-34565-18	Label, Serial (Made in UK)	2	8
36-34565-27	Label, S/N, DEC 3000, Model 400S (USA)	2	36
36-34565-28	Label, S/N, DEC 3000, Model 400S (UK)	2	36
36-34565-42	Label, Serial BA47A (Made in USA)	2A	14
36-34565-43	Label, Serial BA47A (Made in UK)	2A	14
36-34565-44	Label, S/N, DEC 3000, Model 600S (USA)	2A	15
36-34565-45	Label, S/N, DEC 3000, Model 600S (UK)	2A	15
36-34565-57	Label, S/N, DEC 3000, Model 700 (USA)	2B	13
36-34565-58	Label, S/N, DEC 3000, Model 700 (UK)	2B	13
36-36124-08	Label, PTT Netherlands (added)	2	46
36-36842-01	Label, CE Mark (added)	2	50
36-36842-01	Label, CE Mark (added)	2A	38
36-36842-01	Label, CE Mark	2B	26
36-38808-01	Label, Rear I/O	6	6
36-38923-03	Label, Regulatory (added)	3	9
36-38923-03	Label, Regulatory (deleted)	6	7
36-28979-01	Label, Attention Preinstalled Software	2B	15
36-39563-01	Label, Austel Warning	2	35
36-39563-01	Label, Austel Warning	2A	13
36-39563-01	Label, Austel Warning	2B	12
37-01378-01	Package Assembly (Not Shown)	2A	2
37-01378-01	Package Assembly (Not Shown)	2B	2
37-01378-01	Package Assembly (Not Shown)	1	7
37-01378-01	Package Assembly (Not Shown)	2	10
54-21139-BA	Module, SIMM Memory 1/2/4/8 MB	2	11
54-21139-CA	Module, SIMM Memory 1/2/4/8 MB	2	12
54-21139-CA	Module, SIMM Memory 1/2/4/8 MB	2A	20
54-21139-CA	Module, SIMM Memory 1/2/4/8 MB	2B	18

**INDEX BY DEC PART NUMBER**  
DEC 3000 Models 400/600/700

PART NO.	DESCRIPTION	FIG NO.	ITEM NO.
54-21139-DA	Module, SIMM Memory 1/2/4/8 MB	2	13
54-21139-DA	Module, SIMM Memory 1/2/4/8 MB (added)	2A	40
54-21143-03	Module, CX TURBO	2	14
54-21143-03	Module, CX TURBO	2A	26
54-21149-02	Module, System	2	15
54-21813-01	Module, I/O	2	16
54-21813-02	Module, I/O Model 600/600S	2A	4
54-21813-02	Module, I/O Model 600/600S	2B	4
54-21815-01	Module, MMB	2	17
54-21815-01	Module, MMB	2A	5
54-21815-01	Module, MMB	2B	5
54-22861-01	Module, Smart Frame Buffer Plus 8 Plane (added)	2A	41
54-22861-01	Module, Smart Frame Buffer Plus 8 Plane	2B	23
54-23153-03	Module, DEC 3000 Model 600/600S CPU	2A	3
54-23153-05	Module, DEC3000 Model 700 CPU	2B	3
70-28325-02	Graphics Assembly, Low-End 3D+ 72Hz	2	18
70-28326-02	Module Assembly, Mid Range 3D+ Graphics	2	41
70-28327-02	Graphics Assembly, High-End 3D+ 72 Hz	2	19
70-28335-01	Accessory Kit, TZK10 (Not Shown)	2	33
70-28346-01	Accessory Kit, RRD42 (Not Shown) (deleted)	2A	33
70-28346-01	Accessory Kit, RRD42 (deleted)	2	20
70-28729-01	Cord, Power (International)	1	8
70-28729-01	Cord, Power (International)	1A	7
70-28729-01	Cord, Power (International)	1B	6
70-29546-01	COVER ASSEMBLY	3	5C
70-29546-01	COVER ASSEMBLY	4	N/A
70-29567-01	Cover Weldment	4	1
70-29568-01	ENCLOSURE ASSEMBLY	3	5B
70-29568-01	ENCLOSURE ASSEMBLY	6	N/A
70-30262-01	PLATE ASSEMBLY, DRIVE	3	5A
70-30262-01	PLATE ASSEMBLY, DRIVE	5	N/A
70-30276-01	KIT ASSEMBLY, ENCLOSURE	3	5
70-30289-01	Accessory Kit, DEC 3000 Model 400 (Not Shown)	2	21
70-30289-02	Accessory Kit, DEC 3000 Model 400 (Not Shown)	2	34
70-30289-04	Accessory Kit, DEC 3000 Model 600 (Not Shown)	2A	12
70-30289-03	Accessory Kit, DEC 3000 Model 600 (Not Shown)	2A	6
70-30289-03	Accessory Kit, DEC 3000 Model 600 (Not Shown)	2B	6
74-39211-01	Spring, Retaining	5	4
74-41143-05	Blank, Bulkhead Assembly	2	22
74-41143-05	Blank, Bulkhead Assembly	2A	7
74-41143-05	Blank, Bulkhead Assembly	2B	7
74-41364-02	Plate, Support	2	23
74-41364-02	Plate, Support RZ24	2A	30
74-44251-01	Gasket, Turbo	6	5
74-44619-01	Light, Pipe	4	6
74-44620-01	Door, LSM	3	8
74-44836-01	Enclosure	6	4
74-44838-01	Medallion	2	24
74-44838-01	Medallion (added)	2A	8
74-44838-01	Medallion	2B	8
74-44838-03	Medallion (deleted)	2A	37
74-44840-01	Plate, Front	5	1
74-44841-01	Plate, Drive	5	2
74-44842-01	Bracket, RMD	3	5D
74-44843-01	Channel, RZ Mount	5	3

**INDEX BY DEC PART NUMBER**  
DEC 3000 Models 400/600/700

PART NO.	DESCRIPTION	FIG NO.	ITEM NO.
74-44844-01	Bezel, Front	4	4
74-45099-01	Support, Drive Plate	3	5E
74-45527-02	Insert, Bezel	2	25
74-45527-02	Insert, Bezel	2A	9
74-45527-02	Insert, Bezel	2B	9
74-46104-01	Plug, ISDN (deleted)	2	26
74-47921-01	Guide, MMB, (added)	2	45
74-47921-01	Guide, MMB (added)	2A	39
74-47921-01	Guide, MMB	2B	25
75-00023-01	License, DEC 3000 Model 400 Software (Not Shown)	1	10
75-00023-02	License, DEC 3000 Model 400 Software (Not Shown)	1	9
75-00023-09	License, DEC 3000 Model 600 Software-VMS	1A	10
75-00023-10	License, DEC 3000 Model 600 Software -OSF	1A	9
75-00023-15	License, DEC 3000 Model 700 Software - VMS	1B	7
75-00023-16	License, DEC 3000 Model 700 Software - OSF	1B	8
90-00049-24	Screw, Sems Pan Hd No. 6-32 x 3/8	3	5F
90-00049-24	Screw, Sems Pan Hd No. 6-32 x 3/8	5	12
90-08043-08	Screw, Hex Socket Cap No. 6-32 x 1/4	3	7
90-08870-00	Insert, Thread	5	10
90-08992-00	Washer, Flat Nylon	2	27
90-08992-00	Washer, Flat Nylon	2A	10
90-08992-00	Washer, Flat Nylon	2B	10
90-09150-01	Insert, Thread (Self-clinch)	5	9
90-09643-03	Screw, Sems Phil Pan Hd No. 4-40 x 1/2	3	6
90-09984-07	Screw, Sems Pan Hd No. 6-32 x 5/16 XRCS	2	28
90-09984-07	Screw, Sems Pan Hd No. 6-32 x 5/16 XRCS	2A	11
90-09984-07	Screw, Sems Pan Hd No. 6-32 x 5/16 XRCS	2B	11
90-10022-01	Screw, Phi Pan Hd No. 6-20 x 3/8	4	5
90-10435-07	Rivet, Semi-Tubular Oval (.120DX)	5	5
90-10728-03	Bumper, Round (Adh Bk Poly)	6	1
90-10961-02	Screw, Mach M3 Pan 6mm XRCS	2	29
90-10961-02	Screw, Mach M3 Pan 6mm XRCS (deleted)	2A	32
90-10981-01	Screw, Pan Hd Machine 5mm (added)	2	49
90-10981-01	Screw, Pan Hd Machine 5mm (added)	2A	44
90-10981-01	Screw, Pan Hd Machine 5mm	2B	22
90-11275-04	Pad, Foam	6	2
90-11275-06	Pad, Foam (9 Inch x 1 Inch x 1/4 Inch PE Adh)	5	8
AA-PS2DA-TE	Documentation, Guide to Installing DEC OSF/1	2	37
BA47A-A9	ENCLOSURE ASSEMBLY, ALPHA WORKST DESKTOP	2	1
BA47A-A9	ENCLOSURE ASSEMBLY, ALPHA WORKST DESKTOP	2A	1
BA47A-A9	ENCLOSURE ASSEMBLY, ALPHA WORKST DESKTOP	2B	1
BA47A-A9	ENCLOSURE ASSEMBLY, ALPHA WORKST DESKTOP	3	N/A
EK-A0377-UG	Documentation, Guide To Using VMS - F.I	1A	11
EK-A0377-UG	Documentation, Guide To Using OSF F.I.	1	12
EK-A0377-UG	Documentation, Guide To Using VMS F.I.	1	11
EK-A0377-UG	Documentation, Guide to Using VMS F.I.	2	30
EK-A0377-UG	Documentation, Guide to Using VMS F.I.	2A	16
EK-A0377-UG	Documentation, Guide To Using VMS F.I.	1B	9
EK-A0377-UG	Documentation, Guide to Using F.I. VMS	2B	14
EK-H3DOM-TC	Documentation, High 3D Graphics TURBOchannel	2	31
EK-L3DOM-TC	Documentation, Low 3D Graphics TURBOchannel	2	32
EK-M3DOM-TC	Documentation, Mid 3D Graphics TURBOchannel	2	42

**INDEX BY DEC PART NUMBER**  
DEC 3000 Models 400/600/700

PART NO.	DESCRIPTION	FIG NO.	ITEM NO.
EK-RZ26L-IS	Documentation, RZ26L Data Sheet (added)	2	47
EK-SFBOM-TC	Documentation, Smart Frame Buffer TURBOchannel	2A	36
EK-SFBOM-TC	Documentation, Smart Frame Buffer TURBOchannel	2	40
EK-SFFIS-UG	Documentation, Guide To Using OSF - F.I	2A	18
EK-SFFIS-UG	Documentation, Guide To Using OSF - F.I.	1A	12
EK-SFFIS-UG	Documentation, Guide To Using OSF - F.I	1B	10
EK-SFFIS-UG	Documentation, Guide To Using OSF - F.I	2B	16
EK-SMFBP-SG	Documentation, Smart Frame Buffer Plus Guide (added)	2A	43
EK-SMFBP-SG	Documentation, Smart Frame Buffer Plus Guide	2B	24
EK-SNDWS-DK	Documentation, DEC 3000 Model 450 AXP Info	1A	20
EK-SNDWS-DK	Documentation, DEC 3000 Model 600/700 AXP Info	1B	15
H7816-AA	Power Supply, 88/132 OR1 76/264 VAC (Range Auto Selected)	3	1
LK401-AA	Keyboard, LK401 (USA Keycaps)	1	13
MS15-BA	Module, 16 MB Memory Option	1	2
MS15-CA	Module, 32 MB Memory Option	1	3
MS15-CA	Module, 32 MB Memory Option	1A	3
MS15-CA	Module, 32 MB Memory Option	1B	2
MS15-DA	Module, 64 MB Memory Option	1	4
MS15-DA	Module, 64 MB Memory Option	1A	4
MS15-DA	Module, 64 MB Memory Option	1B	3
MS15-EA	Module, 128 Memory Option	1	16
MS15-EA	Module, 128MB Memory	1A	18
MS15-EA	Module, 128 MB Memory Option	1B	4
MS15-FA	Module, 256 MB Memory	1A	19
MS15-FA	Module, 256 MB Memory Option	1	17
MS15-FA	Module, 256 MB Memory Option	1B	5
PE400-AA	DEC 3000 Model 400 16 MB (120V)	1	N/A
PE400-AB	DEC 3000 Model 400 16 MB (240V)	1	N/A
PE400-BA	DEC 3000 Model 400 32 MB (120V)	1	N/A
PE400-BB	DEC 3000 Model 400 32 MB (240V)	1	N/A
PE400-BC	DEC 3000 Model 400 32 MB (120V)	1	N/A
PE400-BD	DEC 3000 Model 400 32 MB (240V)	1	N/A
PE400-BE	DEC 3000 Model 400 32 MB (240V)	1	N/A
PE400-CA	DEC 3000 Model 400 64 MB (120V)	1	N/A
PE400-CB	DEC 3000 Model 400 64 MB (240V)	1	N/A
PE400-CC	DEC 3000 Model 400 64 MB (120V)	1	N/A
PE400-CD	DEC 3000 Model 400 64 MB (240V)	1	N/A
PE400-CE	DEC 3000 Model 400 64 MB (240V)	1	N/A
PE400-DA	DEC 3000 Model 400 16 MB (120V)	1	N/A
PE400-DB	DEC 3000 Model 400 16 MB (240V)	1	N/A
PE400-EA	DEC 3000 Model 400 32 MB (120V)	1	N/A
PE400-EB	DEC 3000 Model 400 32 MB (240V)	1	N/A
PE400-EC	DEC 3000 Model 400 32 MB (120V)	1	N/A
PE400-ED	DEC 3000 Model 400 32 MB (240V)	1	N/A
PE400-EE	DEC 3000 Model 400 32 MB (240V)	1	N/A
PE400-FA	DEC 3000 Model 400 64 MB (120V)	1	N/A
PE400-FB	DEC 3000 Model 400 64 MB (240V)	1	N/A
PE400-FC	DEC 3000 Model 400 64 MB (120V)	1	N/A
PE400-FD	DEC 3000 Model 400 64 MB (240V)	1	N/A
PE400-FE	DEC 3000 Model 400 64 MB (240V)	1	N/A
PE400-GA	DEC 3000 Model 400 128 MB (120V)	1	N/A
PE400-GB	DEC 3000 Model 400 128 MB (240V)	1	N/A

# INDEX BY DEC PART NUMBER

DEC 3000 Models 400/600/700

PART NO.	DESCRIPTION	FIG NO.	ITEM NO.
PE400-HA	DEC 3000 Model 400 256 MB (120V)	1	N/A
PE400-HB	DEC 3000 Model 400 256 MB (240V)	1	N/A
PE400-JA	DEC 3000 Model 400 128 MB (120V)	1	N/A
PE400-JB	DEC 3000 Model 400 128 MB (240V)	1	N/A
PE400-KA	DEC 3000 Model 400 256 MB (120V)	1	N/A
PE400-KB	DEC 3000 Model 400 256 MB (240V)	1	N/A
PE400-ZA	DEC 3000 Model 400 32 MB (120V)	1	N/A
PE400-ZB	DEC 3000 Model 400 64 MB (240V)	1	N/A
PE420-AA	DEC 3000 Model 600 16 MB (120V)	1A	N/A
PE420-BA	DEC 3000 Model 600 16 MB (240V)	1A	N/A
PE420-CA	DEC 3000 Model 600 32 MB (120V)	1A	N/A
PE420-DA	DEC 3000 Model 600 32 MB (240V)	1A	N/A
PE420-EA	DEC 3000 Model 600 64 MB (120V)	1A	N/A
PE420-FA	DEC 3000 Model 600 64 MB (240V)	1A	N/A
PE420-GA	DEC 3000 Model 600 16 MB (120V)	1A	N/A
PE420-HA	DEC 3000 Model 600 16 MB (240V)	1A	N/A
PE420-ZA	DEC 3000 Model 600 32 MB (120V)	1A	N/A
PE440-BA	DEC 3000 Model 700 16 MB (120V)	1B	N/A
PE440-CA	DEC 3000 Model 700 16 MB (240V)	1B	N/A
PE440-DA	DEC 3000 Model 700 32 MB (120V)	1B	N/A
PE440-EA	DEC 3000 Model 700 32 MB (240V)	1B	N/A
PE440-MA	DEC 3000 Model 700 64 MB (120V)	1B	N/A
PE440-NA	DEC 3000 Model 700 64 MB (240V)	1B	N/A
PE440-PA	DEC 3000 Model 700 16 MB (120V)	1B	N/A
PE440-RA	DEC 3000 Model 700 16 MB (240V)	1B	N/A
PE440-ZA	DEC 3000 Model 700 32 MB (120V)	1B	N/A
PE40A-A9	KERNEL ASSEMBLY, DEC 3000 MODEL 400	2	N/A
PE40A-A9	KERNEL ASSEMBLY, DEC 3000 MODEL 400	1	1
PE40A-B9	KERNEL ASSEMBLY	2	N/A
PE40A-BA	KERNEL ASSEMBLY	2	N/A
PE40A-CA	KERNEL ASSEMBLY	2	N/A
PE40A-CB	KERNEL ASSEMBLY	2	N/A
PE40A-CC	KERNEL ASSEMBLY	2	N/A
PE40A-CD	KERNEL ASSEMBLY	2	N/A
PE40A-DA	KERNEL ASSEMBLY	2	N/A
PE40A-DB	KERNEL ASSEMBLY	2	N/A
PE40A-DC	KERNEL ASSEMBLY	2	N/A
PE40A-DD	KERNEL ASSEMBLY	2	N/A
PE40A-EA	KERNEL ASSEMBLY	2	N/A
PE40A-EB	KERNEL ASSEMBLY	2	N/A
PE40A-EC	KERNEL ASSEMBLY	2	N/A
PE40A-ED	KERNEL ASSEMBLY	2	N/A
PE40A-FA	KERNEL ASSEMBLY	2	N/A
PE40A-HA	KERNEL ASSEMBLY	2	N/A
PE40A-HB	KERNEL ASSEMBLY	2	N/A
PE40A-JA	KERNEL ASSEMBLY	2	N/A
PE40A-JB	KERNEL ASSEMBLY	2	N/A
PE40A-KA	KERNEL ASSEMBLY	2	N/A
PE40A-KB	KERNEL ASSEMBLY	2	N/A
PE40A-LA	KERNEL ASSEMBLY	2	N/A
PE40A-LB	KERNEL ASSEMBLY	2	N/A
PE42A-A9	KERNEL ASSEMBLY, DEC 3000 MODEL 600	2A	N/A
PE42A-A9	KERNEL ASSEMBLY, DEC 3000 MODEL 600	1A	1
PE42A-AA	KERNEL ASSEMBLY	2A	N/A

**INDEX BY DEC PART NUMBER**  
DEC 3000 Models 400/600/700

PART NO.	DESCRIPTION	FIG NO.	ITEM NO.
PE42A-AB	KERNEL ASSEMBLY	2A	N/A
PE42A-B9	KERNEL ASSEMBLY	2A	N/A
PE42A-BB	KERNEL ASSEMBLY	2A	N/A
PE42A-BA	KERNEL ASSEMBLY	2A	N/A
PE42A-EA	KERNEL ASSEMBLY	2A	N/A
PE42A-EB	KERNEL ASSEMBLY	2A	N/A
PE42A-HA	KERNEL ASSEMBLY	2A	N/A
PE42A-HB	KERNEL ASSEMBLY	2A	N/A
PE42A-JA	KERNEL ASSEMBLY	2A	N/A
PE42A-JB	KERNEL ASSEMBLY	2A	N/A
PE42A-MA	KERNEL ASSEMBLY	2A	N/A
PE44A-A9	KERNEL ASSEMBLY, DEC 3000 MODEL 700	1B	1
PE44A-A9	KERNEL ASSEMBLY DEC 3000/700	2B	N/A
PE44A-AA	KERNEL ASSEMBLY DEC 3000/700	2B	N/A
PE44A-LA	KERNEL ASSEMBLY DEC 3000/700	2B	N/A
PMAG-HA	Module, 24 Bit Z-Buffer Option	2	2
RRD42-AA	Drive, RRD42 CD-ROM Disk (Field Inst.) (deleted)	2	3
RRD42-AA	Drive, RRD42 CD-ROM Disk (Field Inst.) (deleted)	2A	31
RRD42-HM	Drive, RRD42 CD-ROM (deleted)	1A	15
RRD43-AA	Drive, RRD43 5.25 Inch Dual Speed (added)	2	48
RRD43-AA	Drive, RRD43 CD-ROM (added)	2A	42
RRD43-AA	Drive, RRD43 CD-ROM	2B	21
RRD43-HM	Drive, RRD43 Factory Installed (added)	1A	25
RRD43-HM	Drive, RRD43 CD-Rom, Factory Installed	1B	13
RX26-FH	Drive, RX26 3.5 Inch SCSI Diskette	1A	21
RX26-FH	Drive, RX26 3.5 Inch SCSI Diskette	1B	16
RZ25-E	Drive, RZ25 (Factory Inst.) SCSI Disk (deleted)	2	4
RZ25L-E	Drive, RZ25 (Factory Inst.) SCSI Disk	2A	21
RZ25L-E	Drive, RZ25L 3.5 Inch SCSI Disk (added)	2	43
RZ25L-EJ	Drive, RZ25L 3.5 Inch SCSI Disk	1A	13
RZ26-EJ	Drive, RZ26 (deleted)	2	5
RZ26L-E	Drive, RZ26 SCSI	2A	22
RZ26L-E	Drive, RZ26L Formatted (added)	2	44
RZ26L-E	Drive, RZ26 SCSI	2B	19
RZ26L-EJ	Drive, RZ26L 3.5 Inch SCSI Disk	1A	14
RZ26L-EJ	Drive, RZ26L 3.5 Inch SCSI Disk	1B	12
RZ28-EJ	Drive, RZ28 SCSI	1B	17
RZ28-EJ	Drive, RZ28 SCSI	1A	22
TLZ06-MF	Drive, TLZ06 Tape	1A	16
TLZ07-MF	Drive, TLZ07 8GB 4mm DAT Tape	1B	14
TZ30-HG	Drive, TZ30	1A	23
TZK10-AA	Drive, TZK10 (Factory Inst.) SCSI	2	6
TZK10-MF	Drive, TZK10 QIC Tape	1A	17
TZK10-MF	Drive, TZK10 QIC Tape	1B	18
TZK11-MF	Drive, TZK11 Tape	1A	24
VRC21-H4	Monitor, 21 Inch Color (added)	1	19
VRC21-HA	Monitor, 21 Inch Color (added)	1	18
VRT19-H4	Monitor, 20 Inch Color (deleted)	1	15
VRT19-HA	Monitor, 20 Inch Color (deleted)	1	14
VSXXX-GA	Mouse, 3 Button Corporate	1	5
VSXXX-GA	Mouse, 3 Button Corporate	1A	5
VSXXX-GA	Mouse, 3 Button Corporate	1B	11

# INDEX BY DEC PART DESCRIPTION

DEC 3000 Models 400/600/700

DESCRIPTION	DEC PART NO.	FIG. NO.	ITEM NO.
Accessory Kit, DEC 3000 Model 400 (Not Shown)	70-30289-01	2	21
Accessory Kit, DEC 3000 Model 400 (Not Shown)	70-30289-02	2	34
Accessory Kit, DEC 3000 Model 600 (Not Shown)	70-30289-03	2A	6
Accessory Kit, DEC 3000 Model 600 (Not Shown)	70-30289-04	2A	12
Accessory Kit, DEC 3000 Model 600/700	70-30289-03	2B	6
Accessory Kit, RRD42 (Not Shown) (deleted)	70-28346-01	2A	33
Accessory Kit, RRD42 (Not Shown) (deleted)	70-28346-01	2	20
Accessory Kit, TZK10 (Not Shown)	70-28335-01	2	33
Bezel, Front	74-44844-01	4	4
Blank, Bulkhead Assembly	74-41143-05	2	22
Blank, Bulkhead Assembly	74-41143-05	2A	7
Blank, Bulkhead Assembly	74-41143-05	2B	7
Bracket, RMD	74-44842-01	3	5D
Bumper, Round (Ahd Bk Poly)	90-10728-03	6	1
Cable Assembly, 50 Cond. Round	17-03487-01	3	2
Cable Assembly, 50 Cond. Round	17-03488-01	3	3
Cable Assembly, COAX	17-02906-01	2	39
Cable Assembly, COAX	17-02906-01	2A	19
Cable Assembly, COAX	17-02906-01	2B	17
Channel, RZ Mount	74-44843-01	5	3
Clip, Cable Adh. Back (added)	12-18912-05	3	10
Cord, Power (International)	70-28729-01	1	8
Cord, Power (International)	70-28729-01	1A	7
Cord, Power (International)	70-28729-01	1B	6
Cord, Power (US)	17-00083-39	1	6
Cord, Power (US)	17-00083-39	1A	6
COVER ASSEMBLY	70-29546-01	3	5C
COVER ASSEMBLY	70-29546-01	4	N/A
Cover Weldment	70-29567-01	4	1
DEC 3000 MODEL 420 SYSTEM BUILDING BLOCK	N/A	1A	N/A
DEC 3000 MODEL 400 SYSTEM BUILDING BLOCK	N/A	1	N/A
DEC 3000 Model 400 128 MB (120V)	PE400-GA	1	N/A
DEC 3000 Model 400 128 MB (120V)	PE400-JA	1	N/A
DEC 3000 Model 400 128 MB (240V)	PE400-GB	1	N/A
DEC 3000 Model 400 128 MB (240V)	PE400-JB	1	N/A
DEC 3000 Model 400 16 MB (120V)	PE400-AA	1	N/A
DEC 3000 Model 400 16 MB (120V)	PE400-DA	1	N/A
DEC 3000 Model 400 16 MB (240V)	PE400-AB	1	N/A
DEC 3000 Model 400 16 MB (240V)	PE400-DB	1	N/A
DEC 3000 Model 400 256 MB (120V)	PE400-HA	1	N/A
DEC 3000 Model 400 256 MB (120V)	PE400-KA	1	N/A
DEC 3000 Model 400 256 MB (240V)	PE400-HB	1	N/A
DEC 3000 Model 400 256 MB (240V)	PE400-KB	1	N/A
DEC 3000 Model 400 32 MB (120V)	PE400-BA	1	N/A
DEC 3000 Model 400 32 MB (120V)	PE400-BC	1	N/A
DEC 3000 Model 400 32 MB (120V)	PE400-EA	1	N/A
DEC 3000 Model 400 32 MB (120V)	PE400-EC	1	N/A
DEC 3000 Model 400 32 MB (120V)	PE400-ZA	1	N/A
DEC 3000 Model 400 32 MB (240V)	PE400-BB	1	N/A
DEC 3000 Model 400 32 MB (240V)	PE400-BD	1	N/A
DEC 3000 Model 400 32 MB (240V)	PE400-BE	1	N/A
DEC 3000 Model 400 32 MB (240V)	PE400-EB	1	N/A
DEC 3000 Model 400 32 MB (240V)	PE400-ED	1	N/A
DEC 3000 Model 400 32 MB (240V)	PE400-EE	1	N/A

# INDEX BY DEC PART DESCRIPTION

DEC 3000 Models 400/600/700

DESCRIPTION	DEC PART NO.	FIG. NO.	ITEM NO.
DEC 3000 Model 400 64 MB (120V)	PE400-CA	1	N/A
DEC 3000 Model 400 64 MB (120V)	PE400-CC	1	N/A
DEC 3000 Model 400 64 MB (120V)	PE400-FA	1	N/A
DEC 3000 Model 400 64 MB (120V)	PE400-FC	1	N/A
DEC 3000 Model 400 64 MB (240V)	PE400-CB	1	N/A
DEC 3000 Model 400 64 MB (240V)	PE400-CD	1	N/A
DEC 3000 Model 400 64 MB (240V)	PE400-CE	1	N/A
DEC 3000 Model 400 64 MB (240V)	PE400-FB	1	N/A
DEC 3000 Model 400 64 MB (240V)	PE400-FD	1	N/A
DEC 3000 Model 400 64 MB (240V)	PE400-FE	1	N/A
DEC 3000 Model 400 64 MB (240V)	PE400-ZB	1	N/A
DEC 3000 Model 600 16 MB (120V)	PE420-AA	1A	N/A
DEC 3000 Model 600 16 MB (120V)	PE420-GA	1A	N/A
DEC 3000 Model 600 16 MB (240V)	PE420-BA	1A	N/A
DEC 3000 Model 600 16 MB (240V)	PE420-HA	1A	N/A
DEC 3000 Model 600 32 MB (120V)	PE420-CA	1A	N/A
DEC 3000 Model 600 32 MB (120V)	PE420-ZA	1A	N/A
DEC 3000 Model 600 32 MB (240V)	PE420-DA	1A	N/A
DEC 3000 Model 600 64 MB (120V)	PE420-EA	1A	N/A
DEC 3000 Model 600 64 MB (240V)	PE420-FA	1A	N/A
DEC 3000 Model 700 16 MB (120V)	PE440-BA	1B	N/A
DEC 3000 Model 700 16 MB (240V)	PE440-CA	1B	N/A
DEC 3000 Model 700 32 MB (120V)	PE440-DA	1B	N/A
DEC 3000 Model 700 32 MB (240V)	PE440-EA	1B	N/A
DEC 3000 Model 700 64 MB (120V)	PE440-MA	1B	N/A
DEC 3000 Model 700 64 MB (240V)	PE440-NA	1B	N/A
DEC 3000 Model 700 16 MB (120V)	PE440-PA	1B	N/A
DEC 3000 Model 700 16 MB (240V)	PE440-RA	1B	N/A
DEC 3000 Model 700 32 MB (120V)	PE440-ZA	1B	N/A
Documentation, Mid 3D Graphics TURBOchannel Module	EK-M3DOM-TC	2	42
Documentation, Smart Frame Buffer TURBOchannel Mod.	EK-SFBOM-TC	2A	36
Documentation, DEC 3000 Model 600/700 AXP Info	EK-SNDWS-DK	1A	20
Documentation, DEC 3000 Model 600/700 AXP Info	EK-SNDWS-DK	1B	15
Documentation, Guide To Using OSF - Factory Installed	EK-SFFIS-UG	1	12
Documentation, Guide To Using OSF - Factory Installed	EK-SFFIS-UG	1A	12
Documentation, Guide To Using OSF - Factory Installed	EK-SFFIS-UG	1B	10
Documentation, Guide To Using OSF - Factory Installed	EK-SFFIS-UG	2A	18
Documentation, Guide To Using OSF - Factory Installed	EK-SFFIS-UG	2B	16
Documentation, Guide To Using VMS - Factory Installed	EK-A0377-UG	1	11
Documentation, Guide To Using VMS - Factory Installed	EK-A0377-UG	1A	11
Documentation, Guide To Using VMS - Factory Installed	EK-A0377-UG	2	30
Documentation, Guide To Using VMS - Factory Installed	EK-A0377-UG	2A	16
Documentation, Guide To Using VMS - Factory Installed	EK-A0377-UG	1B	9
Documentation, Guide To Using VMS - Factory Installed	EK-A0377-UG	2B	14
Documentation, Guide to Installing DEC OSF/1	AA-PS2DA-TE	2	37
Documentation, High 3D Graphics TURBOchannel	EK-H3DOM-TC	2	31
Documentation, Low 3D Graphics TURBOchannel	EK-L3DOM-TC	2	32
Documentation, RZ26L Data Sheet (added)	EK-RZ26L-IS	2	47
Documentation, Smart Frame Buffer Plus Guide (added)	EK-SMFBP-SG	2A	43
Documentation, Smart Frame Buffer Plus Guide	EK-SMFBP-SG	2B	24
Documentation, Smart Frame Buffer TURBOchannel Module	EK-SFBOM-TC	2	40
Door, LSM	74-44620-01	3	8
Drive, RZ25L 3.5 Inch SCSI Disk (added)	RZ25L-E	2	43
Drive, RZ26L Formatted (added)	RZ26L-E	2	44



# INDEX BY DEC PART DESCRIPTION

DEC 3000 Models 400/600/700

DESCRIPTION	DEC PART NO.	FIG. NO.	ITEM NO.
Drive, RZ25L 3.5 Inch SCSI Disk	RZ25L-EJ	1A	13
Drive, RZ26L 3.5 Inch SCSI Disk	RZ26L-EJ	1A	14
Drive, RZ26L 3.5 Inch SCSI Disk	RZ26L-EJ	1B	12
Drive, RRD42 CD-ROM Disk (Field Inst.) (deleted)	RRD42-AA	2	3
Drive, RRD42 CD-ROM Disk (Field Inst.) (deleted)	RRD42-AA	2A	31
Drive, RRD42 CD-Rom 600 MB (deleted)	RRD42-HM	1A	15
Drive, RRD43 CD-ROM (added)	RRD43-AA	2A	42
Drive, RRD43 CD-ROM	RRD43-AA	2B	21
Drive, RRD43 5.25 Inch Dual Speed CD-ROM (added)	RRD43-AA	2	48
Drive, RRD43 Factory Installed (added)	RRD43-HM	1A	25
Drive, RRD43 CD-Rom, Factory Installed	RRD43-HM	1B	13
Drive, RX26 3.5 Inch SCSI Diskette	RX26-FH	1A	21
Drive, RX26 3.5 Inch SCSI Diskette	RX26-FH	1B	16
Drive, RZ25 (Factory Inst.) SCSI Disk (deleted)	RZ25-E	2	4
Drive, RZ25 (Factory Inst.) SCSI Disk	RZ25L-E	2A	21
Drive, RZ26 (deleted)	RZ26-EJ	2	5
Drive, RZ26 SCSI	RZ26L-E	2A	22
Drive, RZ26 SCSI	RZ26L-E	2B	19
Drive, RZ28 SCSI	RZ28-EJ	1A	22
Drive, RZ28 SCSI (See Note)	RZ28-EJ	1B	17
Drive, TLZ06 Tape	TLZ06-MF	1A	16
Drive, TLZ07 8GB 4mm DAT Tape	TLZ07-MF	1B	14
Drive, TZ30	TZ30-HG	1A	23
Drive, TZK10 (Factory Inst.) SCSI	TZK10-AA	2	6
Drive, TZK10 QIC Tape	TZK10-MF	1A	17
Drive, TZK10 QIC Tape	TZK10-MF	1B	18
Drive, TZK11 Tape	TZK11-MF	1A	24
ENCLOSURE ASSEMBLY	70-29568-01	3	5B
ENCLOSURE ASSEMBLY	70-29568-01	6	N/A
ENCLOSURE ASSEMBLY, ALPHA WORKSTATION DESKTOP	BA47A-A9	2	1
ENCLOSURE ASSEMBLY, ALPHA WORKSTATION DESKTOP	BA47A-A9	2A	1
ENCLOSURE ASSEMBLY, ALPHA WORKSTATION DESKTOP	BA47A-A9	3	N/A
ENCLOSURE ASSEMBLY, ALPHA WORKSTATION DESKTOP	BA47A-A9	2B	1
Enclosure	74-44836-01	6	4
Fingerstock (1.85 LG)	12-28686-15	5	13
Fingerstock (2.60 LG)	12-28686-17	5	7
Frame Buffer, TURBOchannel	30-35790-02	2	38
Gasket, Turbo	74-44251-01	6	5
Graphics Assembly, High-End 3D+ 72 Hz	70-28327-02	2	19
Graphics Assembly, Low-End 3D+ 72Hz	70-28325-02	2	18
Grommet, Rubber	12-31734-01	2	7
Grommet, Rubber	12-31734-01	2B	20
Guide, MMB, (added)	74-47921-01	2	45
Guide, MMB (added)	74-47921-01	2A	39
Guide, MMB	74-47921-01	2B	25
Insert, Bezel	74-45527-02	2	25
Insert, Bezel	74-45527-02	2A	9
Insert, Bezel	74-45527-02	2B	9
Insert, Thread	90-08870-00	5	10
Insert, Thread (Self-clinch)	90-09150-01	5	9
Insulator, LEXAN® (7.6 x .015 x 5.5)	12-35811-01	5	14
Insulator, Ring (added)	12-41790-01	3	11

# INDEX BY DEC PART DESCRIPTION

DEC 3000 Models 400/600/700

DESCRIPTION	DEC PART NO.	FIG. NO.	ITEM NO.
KERNEL ASSEMBLY DEC 3000/700	PE44A-A9	2B	N/A
KERNEL ASSEMBLY DEC 3000/700	PE44A-AA	2B	N/A
KERNEL ASSEMBLY DEC 3000/700	PE44A-LA	2B	N/A
KERNEL ASSEMBLY	PE42A-A9	2A	N/A
KERNEL ASSEMBLY	PE42A-AA	2A	N/A
KERNEL ASSEMBLY	PE42A-AB	2A	N/A
KERNEL ASSEMBLY	PE42A-B9	2A	N/A
KERNEL ASSEMBLY	PE42A-BA	2A	N/A
KERNEL ASSEMBLY	PE42A-BB	2A	N/A
KERNEL ASSEMBLY	PE42A-EA	2A	N/A
KERNEL ASSEMBLY	PE42A-EB	2A	N/A
KERNEL ASSEMBLY	PE42A-HA	2A	N/A
KERNEL ASSEMBLY	PE42A-HB	2A	N/A
KERNEL ASSEMBLY	PE42A-JA	2A	N/A
KERNEL ASSEMBLY	PE42A-JB	2A	N/A
KERNEL ASSEMBLY	PE42A-MA	2A	N/A
KERNEL ASSEMBLY	PE40A-A9	2	N/A
KERNEL ASSEMBLY	PE40A-B9	2	N/A
KERNEL ASSEMBLY	PE40A-BA	2	N/A
KERNEL ASSEMBLY	PE40A-CA	2	N/A
KERNEL ASSEMBLY	PE40A-CB	2	N/A
KERNEL ASSEMBLY	PE40A-CC	2	N/A
KERNEL ASSEMBLY	PE40A-CD	2	N/A
KERNEL ASSEMBLY	PE40A-DA	2	N/A
KERNEL ASSEMBLY	PE40A-DB	2	N/A
KERNEL ASSEMBLY	PE40A-DC	2	N/A
KERNEL ASSEMBLY	PE40A-DD	2	N/A
KERNEL ASSEMBLY	PE40A-EA	2	N/A
KERNEL ASSEMBLY	PE40A-EB	2	N/A
KERNEL ASSEMBLY	PE40A-EC	2	N/A
KERNEL ASSEMBLY	PE40A-ED	2	N/A
KERNEL ASSEMBLY	PE40A-FA	2	N/A
KERNEL ASSEMBLY	PE40A-HA	2	N/A
KERNEL ASSEMBLY	PE40A-HB	2	N/A
KERNEL ASSEMBLY	PE40A-JA	2	N/A
KERNEL ASSEMBLY	PE40A-JB	2	N/A
KERNEL ASSEMBLY	PE40A-KA	2	N/A
KERNEL ASSEMBLY	PE40A-KB	2	N/A
KERNEL ASSEMBLY	PE40A-LA	2	N/A
KERNEL ASSEMBLY	PE40A-LB	2	N/A
KERNEL ASSEMBLY, DEC 3000 MODEL 400	N/A	2	N/A
KERNEL ASSEMBLY, DEC 3000 MODEL 400	PE40A-A9	1	1
KERNEL ASSEMBLY, DEC 3000 MODEL 600	N/A	2A	N/A
KERNEL ASSEMBLY, DEC 3000 MODEL 600	PE42A-A9	1A	1
KERNEL ASSEMBLY, DEC 3000 MODEL 700	PE44A-A9	1B	1
Keyboard, LK401 (USA Keycaps)	LK401-AA	1	13
KIT ASSEMBLY, ENCLOSURE	70-30276-01	3	5
Label, Austel Warning	36-39563-01	2	35
Label, Austel Warning	36-39563-01	2A	13
Label, Austel Warning	36-39563-01	2B	12
Label, CE Mark (added)	36-36842-01	2	50
Label, CE Mark (added)	36-36842-01	2A	38
Label, CE Mark	36-36842-01	2B	26
Label, Attention Preinstalled Software	36-28979-01	2B	15

# INDEX BY DEC PART DESCRIPTION

DEC 3000 Models 400/600/700

DESCRIPTION	DEC PART NO.	FIG. NO.	ITEM NO.
Label, Factory Installed Software	36-28979-01	2	9
Label, Factory Installed Software	36-28979-01	2A	17
Label, PTT Netherlands (added)	36-36124-08	2	46
Label, Rear I/O	36-38808-01	6	6
Label, Regulatory (added)	36-38923-03	3	9
Label, Regulatory (deleted)	36-38923-03	6	7
Label, S/N, DEC 3000, Model 400S (UK)	36-34565-28	2	36
Label, S/N, DEC 3000, Model 400S (USA)	36-34565-27	2	36
Label, S/N, DEC 3000, Model 600S (UK)	36-34565-45	2A	15
Label, S/N, DEC 3000, Model 600S (USA)	36-34565-44	2A	15
Label, S/N, DEC 3000, Model 700 (USA)	36-34565-57	2B	13
Label, S/N, DEC 3000, Model 700 (UK)	36-34565-58	2B	13
Label, Serial BA47A (Made in UK)	36-34565-43	2A	14
Label, Serial BA47A (Made in USA)	36-34565-42	2A	14
Label, Serial (Made in UK)	36-34565-18	2	8
Label, Serial (Made in USA)	36-34565-17	2	8
License, DEC 3000 Model 400 Software (Not Shown)	75-00023-01	1	10
License, DEC 3000 Model 400 Software (Not Shown)	75-00023-02	1	9
License, DEC 3000 Model 600 Software - OSF	75-00023-10	1A	9
License, DEC 3000 Model 600 Software - VMS	75-00023-09	1A	10
License, DEC 3000 Model 700 Software - VMS	75-00023-15	1B	7
License, DEC 3000 Model 700 Software - OSF	75-00023-16	1B	8
Light, Pipe	74-44619-01	4	6
Medallion	74-44838-01	2	24
Medallion (added)	74-44838-01	2A	8
Medallion	74-44838-01	2B	8
Medallion (deleted)	74-44838-03	2A	37
Module Assembly, Mid Range 3D+ Graphics	70-28326-02	2	41
Module, I/O	54-21813-01	2	16
Module, I/O Model 600/600S	54-21813-02	2A	4
Module, I/O Model 600/600S	54-21813-02	2B	4
Module, 128 Memory Option	MS15-EA	1	16
Module, 128MB Memory	MS15-EA	1A	18
Module, 128 MB Memory Option	MS15-EA	1B	4
Module, 16 MB Memory Option	MS15-BA	1	2
Module, 24 Bit Z-Buffer Option	PMAG-HA	2	2
Module, 256 MB Memory	MS15-FA	1A	19
Module, 256 MB Memory Option	MS15-FA	1	17
Module, 256 MB Memory Option	MS15-FA	1B	5
Module, 32 MB Memory Option	MS15-CA	1	3
Module, 32 MB Memory Option	MS15-CA	1A	3
Module, 32 MB Memory Option	MS15-CA	1B	2
Module, 64 MB Memory Option	MS15-DA	1	4
Module, 64 MB Memory Option	MS15-DA	1A	4
Module, 64 MB Memory Option	MS15-DA	1B	3
Module, CX TURBO	54-21143-03	2	14
Module, CX TURBO	54-21143-03	2A	26
Module, DEC3000 Model 600/600S CPU	54-23153-03	2A	3
Module, DEC3000 Model 700 CPU	54-23153-05	2B	3
Module, MMB	54-21815-01	2	17
Module, MMB	54-21815-01	2A	5
Module, MMB	54-21815-01	2B	5
Module, Smart Frame Buffer Plus 8 (added)	54-22861-01	2A	41
Module, Smart Frame Buffer Plus 8 Plane	54-22861-01	2B	23

# INDEX BY DEC PART DESCRIPTION

DEC 3000 Models 400/600/700

DESCRIPTION	DEC PART NO.	FIG. NO.	ITEM NO.
Module, SIMM Memory 1/2/4/8 MB	54-21139-BA	2	11
Module, SIMM Memory 1/2/4/8 MB	54-21139-CA	2	12
Module, SIMM Memory 1/2/4/8 MB	54-21139-CA	2A	20
Module, SIMM Memory 1/2/4/8 MB	54-21139-CA	2B	18
Module, SIMM Memory 1/2/4/8 MB	54-21139-DA	2	13
Module, SIMM Memory 1/2/4/8 MB (added)	54-21139-DA	2A	40
Module, System	54-21149-02	2	15
Monitor, 20 Inch Color (deleted)	VRT19-H4	1	15
Monitor, 20 Inch Color (deleted)	VRT19-HA	1	14
Monitor, 21 Inch Color (added)	VRC21-H4	1	19
Monitor, 21 Inch Color (added)	VRC21-HA	1	18
Mouse, 3 Button Corporate	VSXXX-GA	1	5
Mouse, 3 Button Corporate	VSXXX-GA	1A	5
Mouse, 3 Button Corporate	VSXXX-GA	1B	11
Package Assembly (Not Shown)	37-01378-01	1	7
Package Assembly (Not Shown)	37-01378-01	2	10
Package Assembly (Not Shown)	37-01378-01	2A	2
Package Assembly (Not Shown)	37-01378-01	2B	2
Pad, Foam	90-11275-04	6	2
Pad, Foam (9 Inch x 1 Inch x 1/4 Inch PE Adh)	90-11275-06	5	8
PLATE ASSEMBLY, DRIVE	70-30262-01	3	5A
PLATE ASSEMBLY, DRIVE	70-30262-01	5	N/A
Plate, Drive	74-44841-01	5	2
Plate, Front	74-44840-01	5	1
Plate, Support	74-41364-02	2	23
Plate, Support RZ24	74-41364-02	2A	30
Plug, ISDN (deleted)	74-46104-01	2	26
Power Supply,88/132OR176/264 VAC (Range Auto Sel)	H7816-AA	3	1
Rivet, Semi-Tubular Oval (.120DX)	90-10435-07	5	5
Screw, Captive Retrac Press-In	12-32249-01	5	11
Screw, Hex Socket Cap No. 6-32 x 1/4	90-08043-08	3	7
Screw, Mach M3 Pan 6mm XRCS	90-10961-02	2	29
Screw, Mach M3 Pan 6mm XRCS (deleted)	90-10961-02	2A	32
Screw, Pan Hd Machine 5mm (added)	90-10981-01	2	49
Screw, Pan Hd Machine 5mm (added)	90-10981-01	2A	44
Screw, Pan Hd Machine 5mm	90-10981-01	2B	22
Screw, Phi Pan Hd No. 6-20 x 3/8	90-10022-01	4	5
Screw, Sems Pan Hd No. 6-32 x 3/8	90-00049-24	3	5F
Screw, Sems Pan Hd No. 6-32 x 3/8	90-00049-24	5	12
Screw, Sems Pan Hd No. 6-32 x 5/16 XRCS	90-09984-07	2B	11
Screw, Sems Pan Hd No. 6-32 x 5/16 XRCS	90-09984-07	2	28
Screw, Sems Pan Hd No. 6-32 x 5/16 XRCS	90-09984-07	2A	11
Screw, Sems Phil Pan Hd No. 4-40 x 1/2	90-09643-03	3	6
Shield, EMI/RFI	12-35478-01	6	3
Shield, EMI/RFI	12-35478-02	4	2
Shield, RFI Gasket (18.30 Inch Adh Bk)	12-28686-21	4	3
Shield, RFI Gasket (18.30 Inch Adh Bk)	12-28686-21	5	6
Spring, Retaining	74-39211-01	5	4
Support, Drive Plate	74-45099-01	3	5E
Washer, Flat Nylon	90-08992-00	2	27
Washer, Flat Nylon	90-08992-00	2A	10
Washer, Flat Nylon	90-08992-00	2B	10
Wire Harness Assembly, 12 Cond.	17-03489-01	3	4