

**ILLUSTRATED  
PARTS  
BREAKDOWN**

**DEC 3000  
Models 500/800/900 SBB  
PE500 Series**

**ILLUSTRATED PARTS BREAKDOWN (IPB)**

The IPB is used to identify a part and its location in a hardware product. The document references specific item numbers in the associated parts list.

**HOW TO USE THE IPB**

1. Locate the figure containing the item of interest.
2. Locate the number (callout) of the item of interest.
3. Locate that item number in the associated parts list.

**FORMAT**

Each IPB is generally organized based on its first figure. All other assemblies and subassemblies are referenced from this figure. Each figure contains numeric callouts of all major parts (items).

**PARTS LIST**

Each parts list contains the following:

**Figure and Item No.** – Lists the figure number and its referenced numeric callout

**Description** – Presents the name and a brief description of the item. A single asterisk (\*) preceding the description denotes item is a

subassembly to its referenced figure. A double asterisk (\*\*) preceding the description indicates that this item is subordinate to the preceding single asterisk item.

**DEC Part No.** – Lists the Digital/Vendor part number. The letter in the column heading indicates the current revision level of the Engineering Drawing for the referenced figure.

**ECO Cut-In** – Lists the top assembly drawing number and revision level at first printing. All additional revisions to an item are listed in this column.

**Used On Code** – Lists letters referring to the product variation assigned in Figure 1. When this column is blank, the item is used in all variations.

**Ref Fig No.** – Lists a cross reference between figures within the IPB.

**PART NUMBER/PART DESCRIPTION INDEX SECTION**

Lists items by part number numerically, and description alphabetically. Items are also referenced to a location within the IPB by figure and item number.

**ECO/REVISION HISTORY**

**OTHER IPB  
MANUALS  
REFERENCED**

FIGURE NO.	ASSEMBLY	INITIAL LEVEL	CURRENT LEVEL	PRINTING DATE	OTHER IPB MANUALS REFERENCED
1	PE500	00000	00006 / REV H	30-SEP-94 4th Printing	N/A
1A	PE520	00000	00000 / REV B		
1B	PE540	00000	00000 / REV A		
2	PE50A	00000	00005 / REV F		
2A	PE52A	00001	00003 / REV E		
2B	PE54A	00000	00000 / REV A		
3	BA66	00000	00005 / REV E		
4	70-29527	00000	BA66-005 / REV D		
5	70-29562	00000	00000 / REV A		
6	RX26-FT	00000	00006 / REV H		

Digital Equipment Corporation reserves the right, without notice, to make substitutions and modifications in the specifications of products documented in this manual and further reserves the right to withdraw any of these products from the market without notice.

Digital Equipment Corporation is not responsible for errors which may appear in the technical description (including illustrations and photographs) of the products covered by this manual.

None of the descriptions contained in this manual imply the granting of any license whatsoever to make, use or sell equipment constructed in accordance therewith.

Restricted Rights: Use, duplication or disclosure by the U.S. Government is subject to restrictions as set forth in subparagraph (c) (1) (ii) of the Rights in Technical Data and Computer Software clause at DFARS 252.227-2713.

Copyright © 1992, 1993, 1994 by Digital Equipment Corporation. All rights reserved.  
Printed in U.S.A.

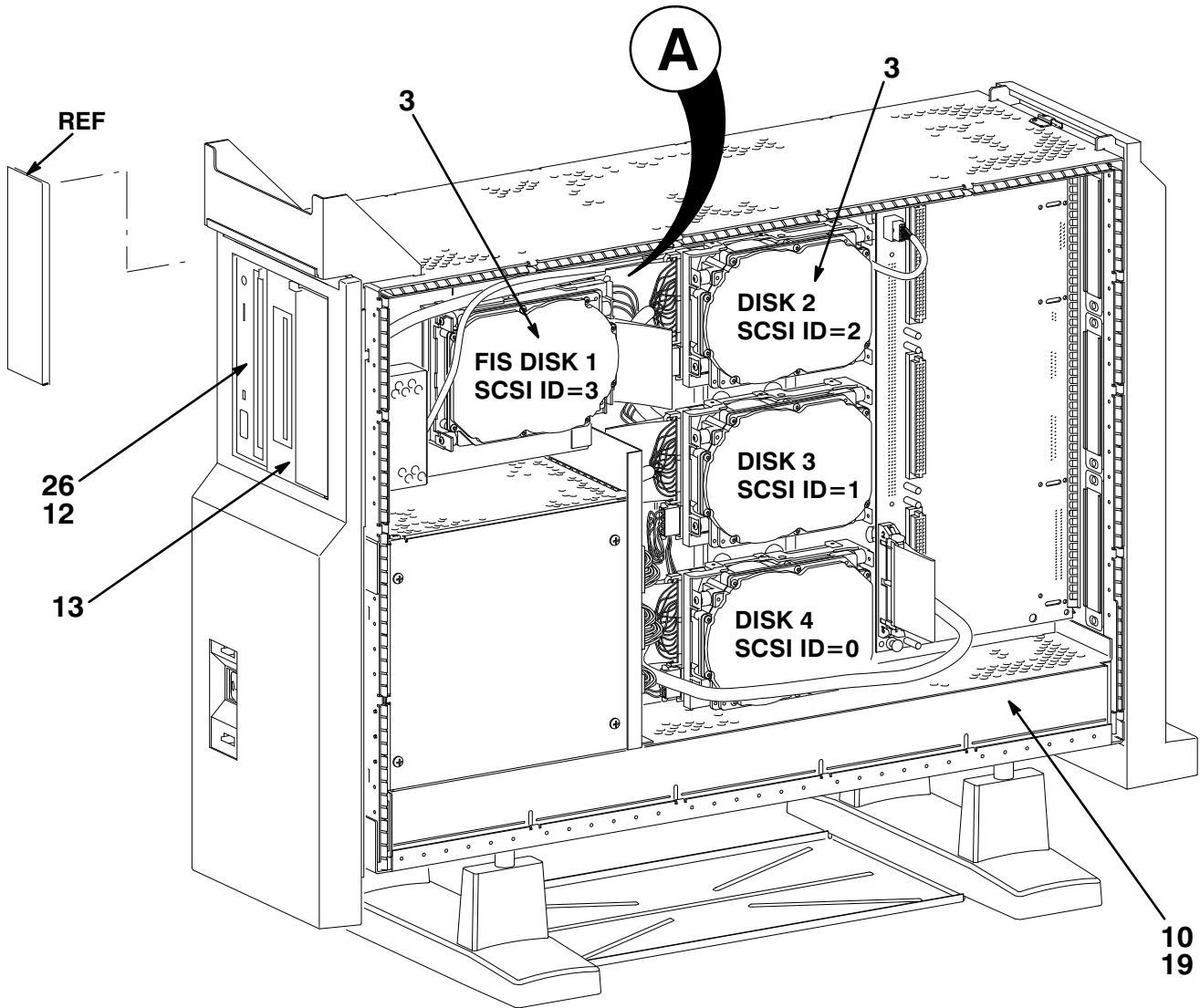
The postage-paid READER'S COMMENTS form on the last page of this document requests your critical evaluation to assist us in preparing future documentation.

The following are trademarks of Digital Equipment Corporation :

---

DECdirect, Alpha AXP, TURBOchannel and the DIGITAL logo.

TYPICAL DRIVE CONFIGURATION

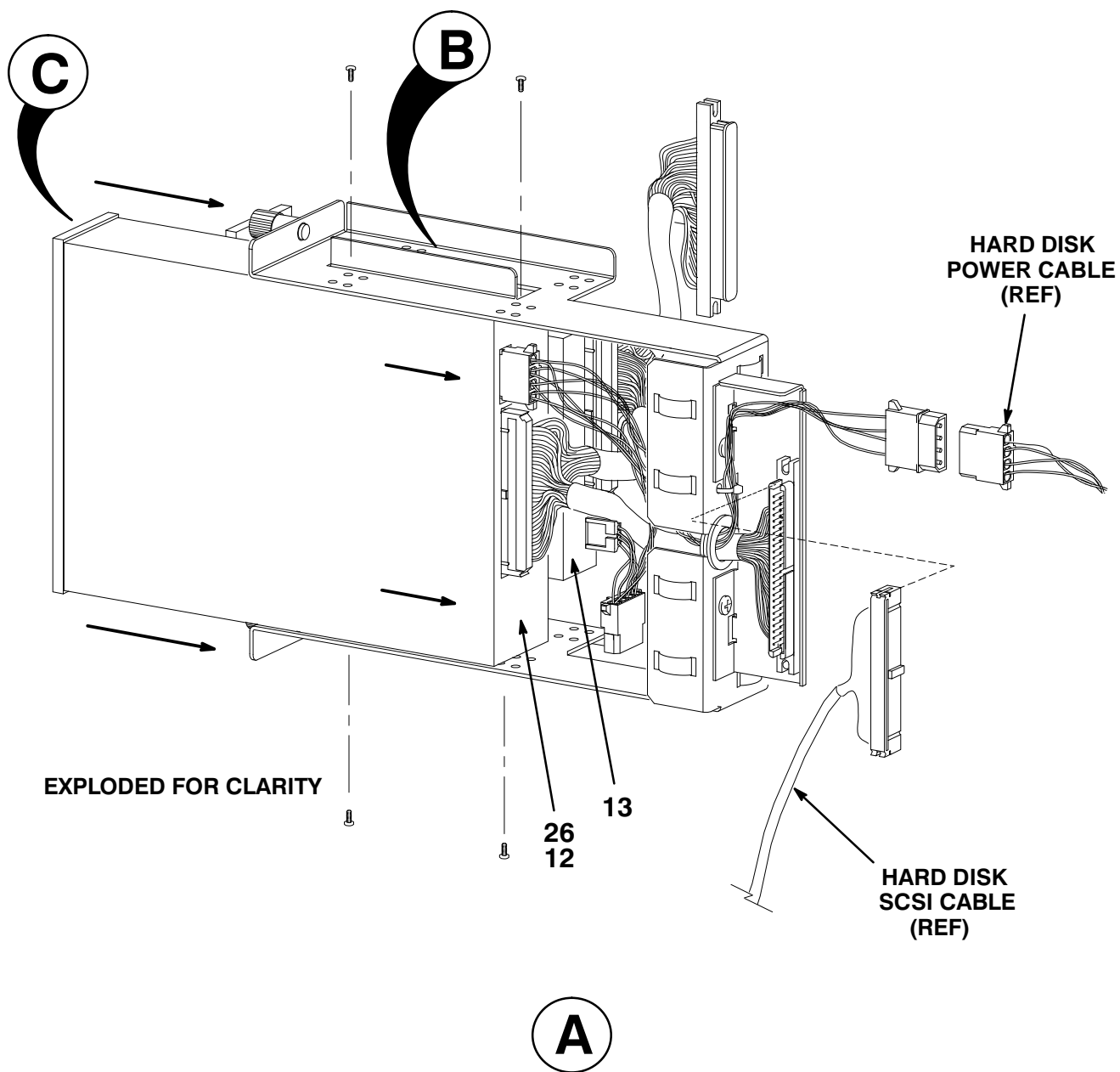


COVERS REMOVED FOR CLARITY

PE500-01-IL

Figure 1. PE500 System Box (Sheet 1 of 4)

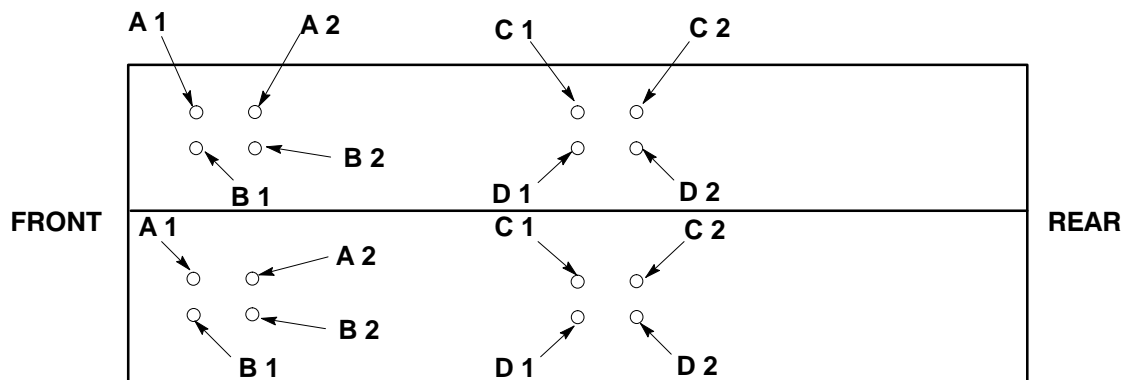
TYPICAL DRIVE CONFIGURATION  
WITH REMOVABLE MEDIA CABLING



PE500-01A-IL

Figure 1. PE500 System Box (Sheet 2 of 4)

**REMOVABLE MEDIA BRACKET –  
MOUNTING HOLE CONFIGURATIONS**



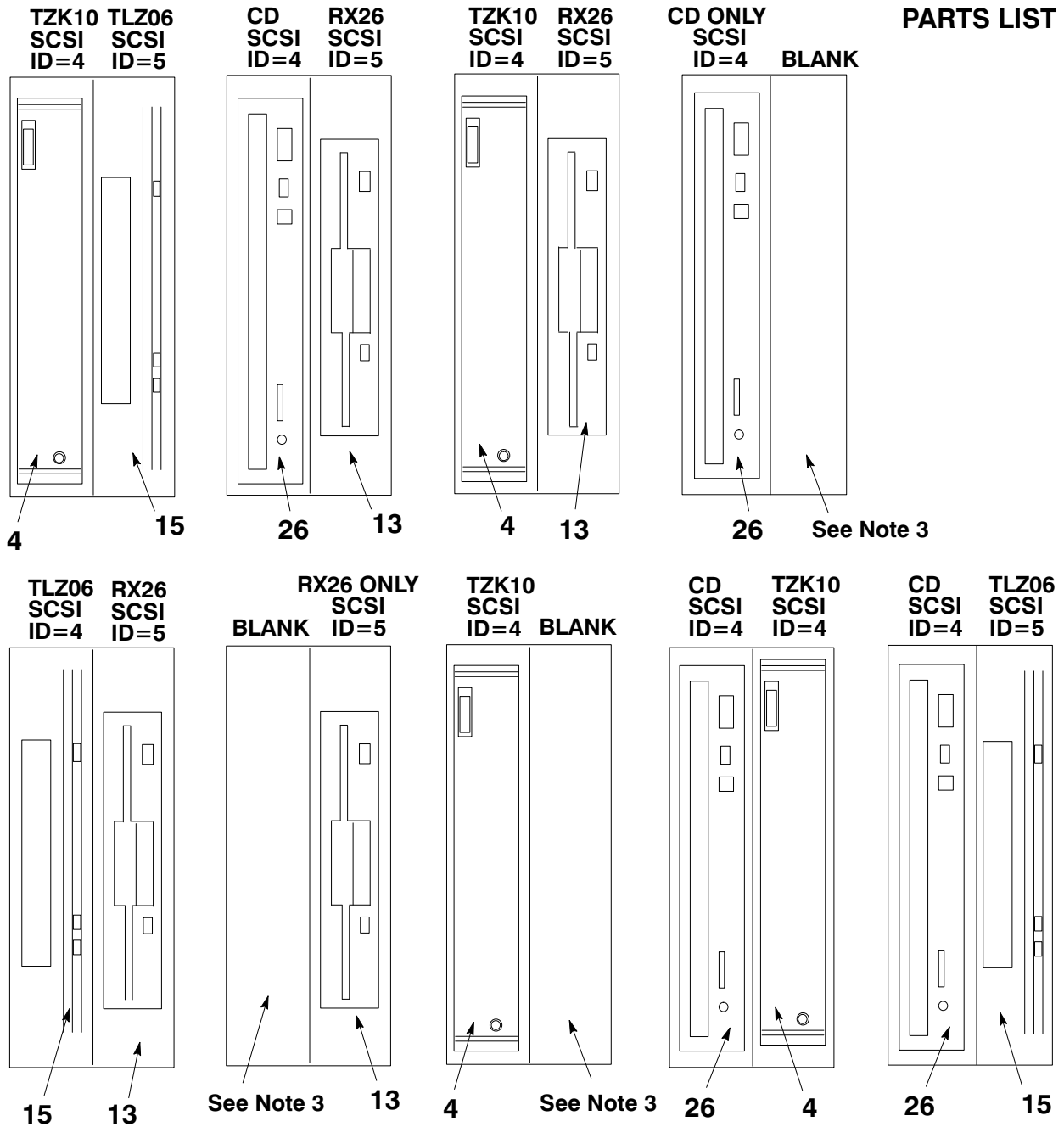
**NOTE: DRIVES WITH TWO MOUNTING HOLES PER SIDE  
ATTACH USING HOLES "B1" & "D1".**

**DRIVES WITH FOUR MOUNTING HOLES PER SIDE  
SHOULD ALIGN WITH HOLES "A1/B1" & "C1/D1",  
BUT SCREWS INSERT INTO HOLES "B1" & "D1".**

**B**

PE500-01B-IL

**Figure 1. PE500 System Box (Sheet 3 of 4)**



**C**

**REMOVEABLE MEDIA FACTORY CONFIGURATIONS**

- NOTE 1: RX26 MUST OCCUPY THE RIGHT SIDE SLOT – ONLY ONE RX26 PER SYSTEM.**
- NOTE 2: TLZ06 (ITEM 15) MAY BE USED IN TZK10 SLOT.**
- NOTE 3: BLANK BEZEL, PART NUMBER 74-44487-02, PART OF PE50A.**

PE500-01C-IL

**Figure 1. PE500 System Box (Sheet 4 of 4)**

FIG. & ITEM NO.	DESCRIPTION	H DEC PART NO.	ECO CUT-IN PE500 00000	USED ON CODE	REF FIG NO.
1-	DEC 3000 MODEL 500 ALPHA SBB	N/A			
	Code A – ALPHA OSF SBB, DESKSIDE (120V)	PE500-AA		A	
	Code B – ALPHA OSF SBB, DESKSIDE (240V)	PE500-AB		B	
	Code C – ALPHA OSF SBB, RACK MNT (120V)	PE500-AC		C	
	Code D – ALPHA OSF SBB, RACK MNT (240V)	PE500-AD		D	
	Code E – ALPHA OSF SBB, DESKSIDE (120V)	PE500-BA		E	
	Code F – ALPHA VMS SBB, DESKSIDE (240V)	PE500-BB		F	
	Code G – ALPHA VMS SBB, RACK MNT (120V)	PE500-BC		G	
	Code H – ALPHA OSF SBB, RACK MNT (240V)	PE500-BD		H	
	Code J – ALPHA OSF SBB, DESKSIDE (120V)	PE500-CA		J	
	Code K – ALPHA OSF SBB, DESKSIDE (240V)	PE500-CB		K	
	Code L – ALPHA OSF SBB, RACK MNT (120V)	PE500-CC		L	
	Code M – ALPHA OSF SBB, RACK MNT (240V)	PE500-CD		M	
	Code N – ALPHA VMS SBB, DESKSIDE (120V)	PE500-DA		N	
	Code P – ALPHA VMS SBB, DESKSIDE (240V)	PE500-DB		P	
	Code R – ALPHA VMS SBB, RACK MNT (120V)	PE500-DC		R	
	Code S – ALPHA VMS SBB, RACK MNT (240V)	PE500-DD		S	
	Code A4 – DEC 3000 Model 500 WS OSF/1 AXP BASE LICENSE (120V)	PE500-EA	00004	A4	
	Code A5 – DEC 3000 Model 500 WS OSF/1 AXP BASE LICENSE (240V)	PE500-EB	00004	A5	
	Code A6 – DEC 3000 Model 500 WS OPEN VMS AXP 1-USER LICENSE (120V)	PE500-FA	00004	A6	
	Code A7 – DEC 3000 Model 500 WS OPEN VMS AXP 1-USER LICENSE (120V)	PE500-FB	00004	A7	
	Code A8 – DEC 3000 Model 500 WS OSF/1 AXP BASE LICENSE (120V)	PE500-GA	00004	A8	
	Code A9 – DEC 3000 Model 500 WS OSF/1 AXP BASE LICENSE (240V)	PE500-GB	00004	A9	
	Code B1 – DEC 3000 Model 500 WS OPEN VMS AXP 1-USER LICENSE (120V)	PE500-HA	00004	B1	
	Code B2 – DEC 3000 Model 500 WS OPEN VMS AXP 1-USER LICENSE (120V)	PE500-HB	00004	B2	
	Code T – ALPHA OSF SBB, DESKSIDE (120V)	PE500-UA		T	
	Code U – ALPHA OSF SBB, DESKSIDE (240V)	PE500-UB		U	
	Code V – ALPHA VMS SBB, DESKSIDE (120V)	PE500-UE		V	
	Code W – ALPHA VMS SBB, DESKSIDE (240V)	PE500-UF		W	
	Code X – ALPHA OSF SBB, DESKSIDE (120V)	PE500-UG	00002	X	
	Code Y – ALPHA OSF SBB, DESKSIDE (240V)	PE500-UH	00002	Y	
	Code Z – ALPHA VMS SBB, DESKSIDE (120V)	PE500-UJ	00002	Z	
	Code A1 – ALPHA VMS SBB, DESKSIDE (240V)	PE500-UK	00002	A1	
	Code A2 – DEC 3000 MODEL 500 SBB NO SOFTWARE LICENSE (120V)	PE500-ZA	00003	A2	
	Code A3 – DEC 3000 MODEL 500 SBB NO SOFTWARE LICENSE (240V)	PE500-ZB	00003	A3	

FIG. & ITEM NO.	DESCRIPTION	DEC PART NO. <sup>H</sup>	ECO CUT-IN PE500 00000	USED ON CODE	REF FIG NO.
1-	DEC 3000 MODEL 500 ALPHA SBB	N/A			
1	*Module, 32MB Memory Option (Not Shown)	MS15-CA		A-H,T-W A2,A3	
2	*Module, 64MB Memory Option (Not Shown)	MS15-DA		J-S,XYZ,A1	
3	*Drive, RZ25 Factory Inst. 426 MB SCSI Disk (See Note)	RZ25-EJ			
4	*Drive, TZK10 Factory Inst. 525 MB	TZK10-MF			
5	*Mouse, Corporate 3 Button (Not Shown)	VSXXX-GA			
6	*Cord, Power Term 3-18 SJT (Not Shown)	17-00083-42		ACEG JLNRTV XZ,A2,A4 A6,A8,B1	
7	*Cord, Power International (Not Shown)(REF)	70-29565-01		BDFHK MPSUW A1,A3,A5 ,A7,A9	
8	*License, DEC/3000 Model 500 Software (Not Shown)	75-00022-02		A-D J-M,TUXY A4,A5,A8 A9	
9	*License, DEC/3000 Model 500 Software (Not Shown)	75-00022-01		E-H N-S,VW Z,A1,A6 A7,B1,B2	
10	*KERNEL ASSEMBLY, SYSTEM PEDESTAL	PE50A-A9		ABEFJ KNP,A2, A2-A9 B1,B2	2
11	*KERNEL ASSEMBLY, SYSTEM (RACK MOUNT) (Not Shown)	PE50A-B9		CDGH LMRS	2
12	*Drive, RRD42 CD-ROM Disk (deleted)	RRD42-HM	00006		
13	*DRIVE, RX26 DISKETTE 3.5 INCH 2.8 MB SCSI	RX26-FT			6
14	*Drive, RZ24 Factory Inst. w/ Mounting Hardware (deleted)	RZ24-EJ			
15	*Drive, TLZ06 Factory Inst. Cassette	TLZ06-MF	00001		
16	*Documentation Kit (Not Shown)	EK-FLMNG-DK		A-S A2-A9 B1,B2	
17	*Documentation, "Guide To Using VMS" (Not Shown)	EK-A0377-UG		EFGH N-S,VW A6,A7, B1,B2	
	NOTE 1: RZ25L-E may be used as a substitute for RZ25-E.				



FIG. & ITEM NO.	DESCRIPTION	H DEC PART NO.	ECO CUT-IN PE500 00000	USED ON CODE	REF FIG NO.
1-					
18	*Documentation, OSF Software (Not Shown)	EK-SFFIS-UG		ABCD J-M, TUXY A4, A5 A8, A9	
19	*KERNEL ASSY., SYSTEM (PEDESTAL) (added)	PE50A-E9	00001	T-A1	2
20	*Documentation, DEC 3000 Model 500X AXP (Not Shown)	EK-D5AXP-DK		TUVW	
21	*Drive, RZ26 Factory Inst. w/ Mounting Hardware (added) (Not Shown) (SEE NOTE 2)	RZ26-EJ	00001		
22	NOT USED				
23	*Keyboard, LK401-A w/USA/UK Keycaps (deleted)	LK401-AA	00003 00004	A2	
24	*Module, 128 MB Memory (Not Shown)	MS15-EA	00004	A4-A7	
25	*Module, 256 MB Memory (Not Shown)	MS15-FA	00004	A8, A9, B1, B2	
26	*Drive, RRD43 600 MB CD-ROM (See Note 3)	RRD43-HM	00006		
	NOTE 2: RZ26L-E may be used as a substitute for RZ26-E.				
	NOTE 3: RRD42-HM is an acceptable substitute for RRD43-HM.				

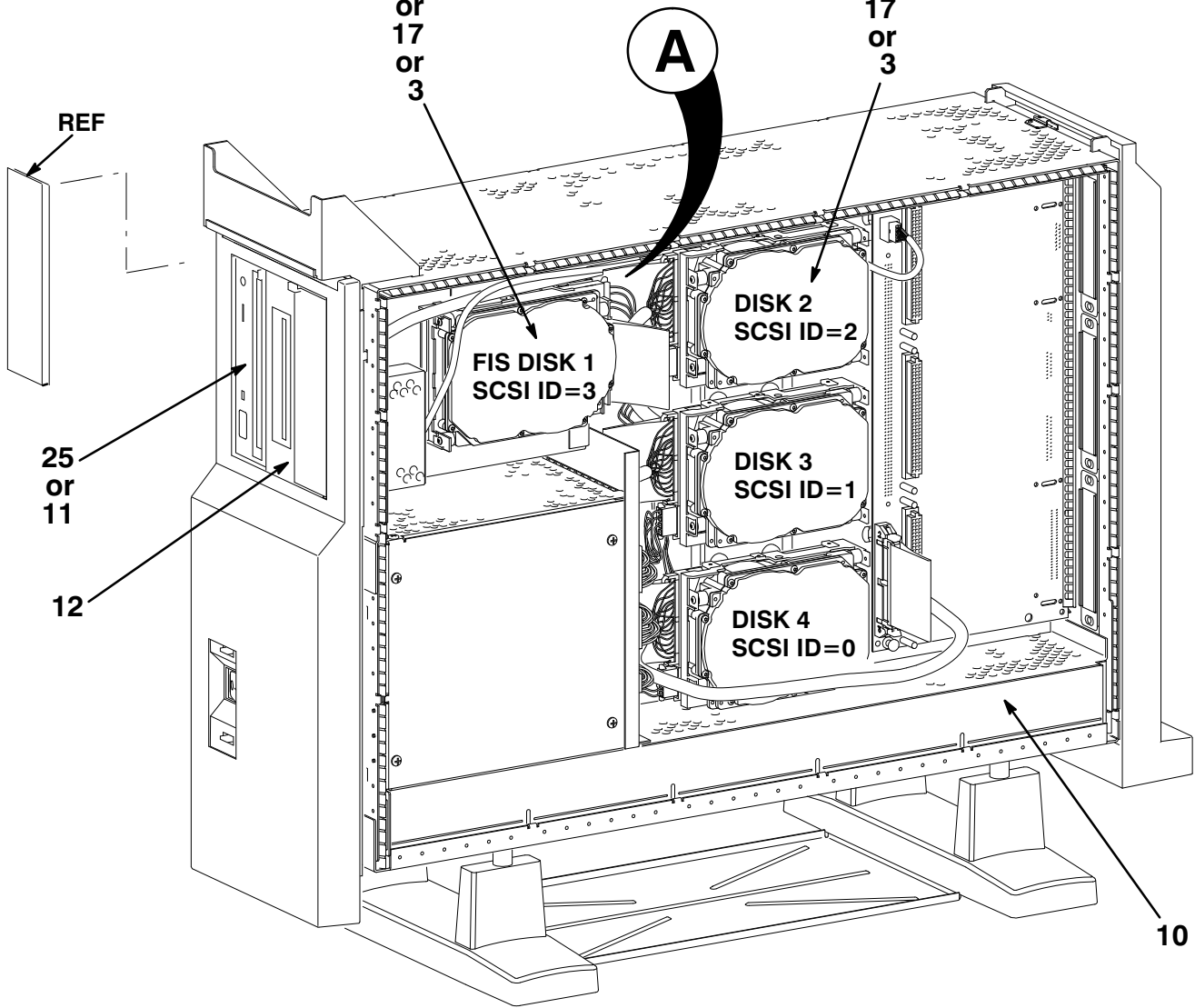
THIS PAGE INTENTIONALLY LEFT BLANK

TYPICAL DRIVE CONFIGURATION  
Use one of the following items :

23  
or  
22  
or  
21  
or  
17  
or  
3

TYPICAL DRIVE CONFIGURATION  
Use one of the following items :

23  
or  
22  
or  
21  
or  
17  
or  
3

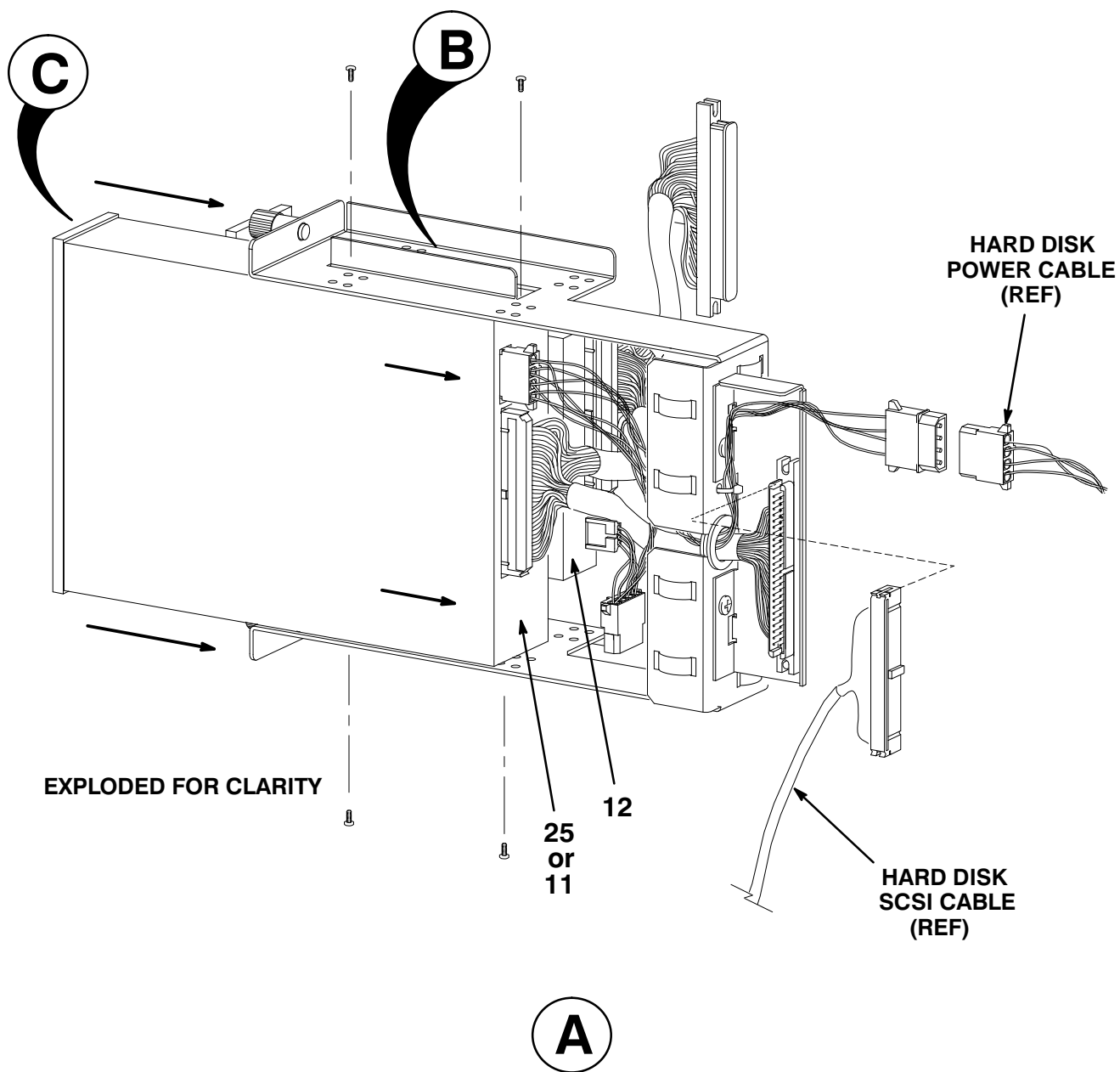


COVERS REMOVED FOR CLARITY

PE520-01-IL

Figure 1A. PE520 System Box – DEC 3000 Model 800 (Sheet 1 of 4)

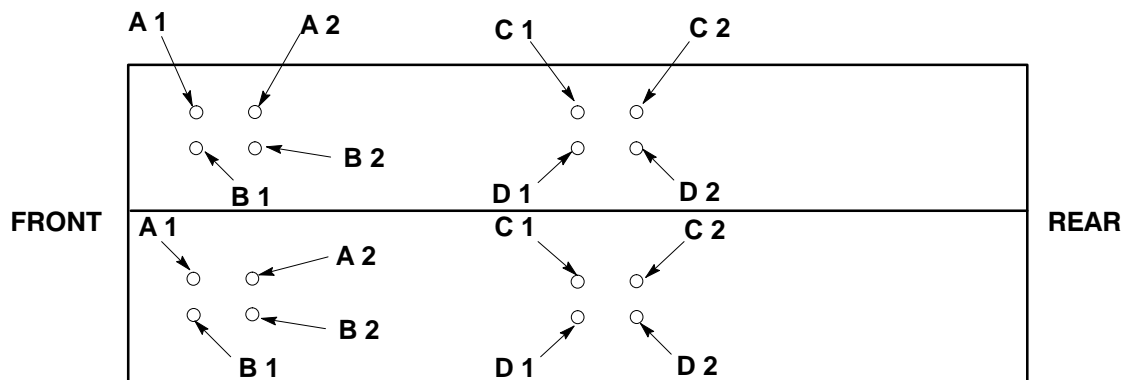
TYPICAL DRIVE CONFIGURATION  
WITH REMOVABLE MEDIA CABLING



PE520-1A-IL

Figure 1A. PE520 System Box – DEC 3000 Model 800 (Sheet 2 of 4)

**REMOVABLE MEDIA BRACKET –  
MOUNTING HOLE CONFIGURATIONS**



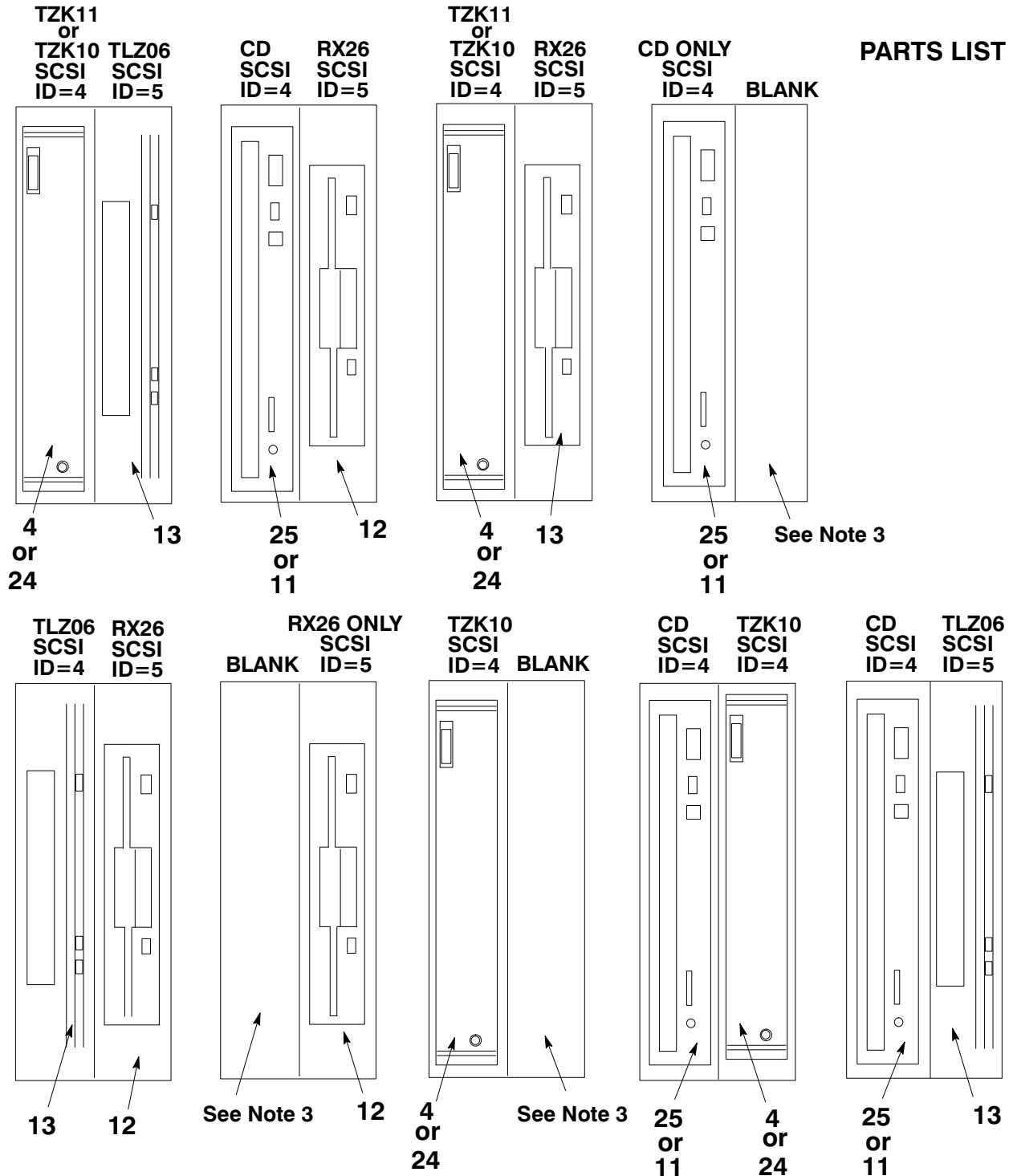
**NOTE: DRIVES WITH TWO MOUNTING HOLES PER SIDE  
ATTACH USING HOLES "B1" & "D1".**

**DRIVES WITH FOUR MOUNTING HOLES PER SIDE  
SHOULD ALIGN WITH HOLES "A1/B1" & "C1/D1",  
BUT SCREWS INSERT INTO HOLES "B1" & "D1".**

**B**

PE520-1B-IL

**Figure 1A. PE520 System Box – DEC 3000 Model 800 (Sheet 3 of 4)**



**C**

**REMOVEABLE MEDIA FACTORY CONFIGURATIONS**

**NOTE 1: RX26 MUST OCCUPY THE RIGHT SIDE SLOT – ONLY ONE RX26 PER SYSTEM.**

**NOTE 2: TLZ06 (ITEM 15) MAY BE USED IN TZK10 SLOT.**

PE520-1C-IL

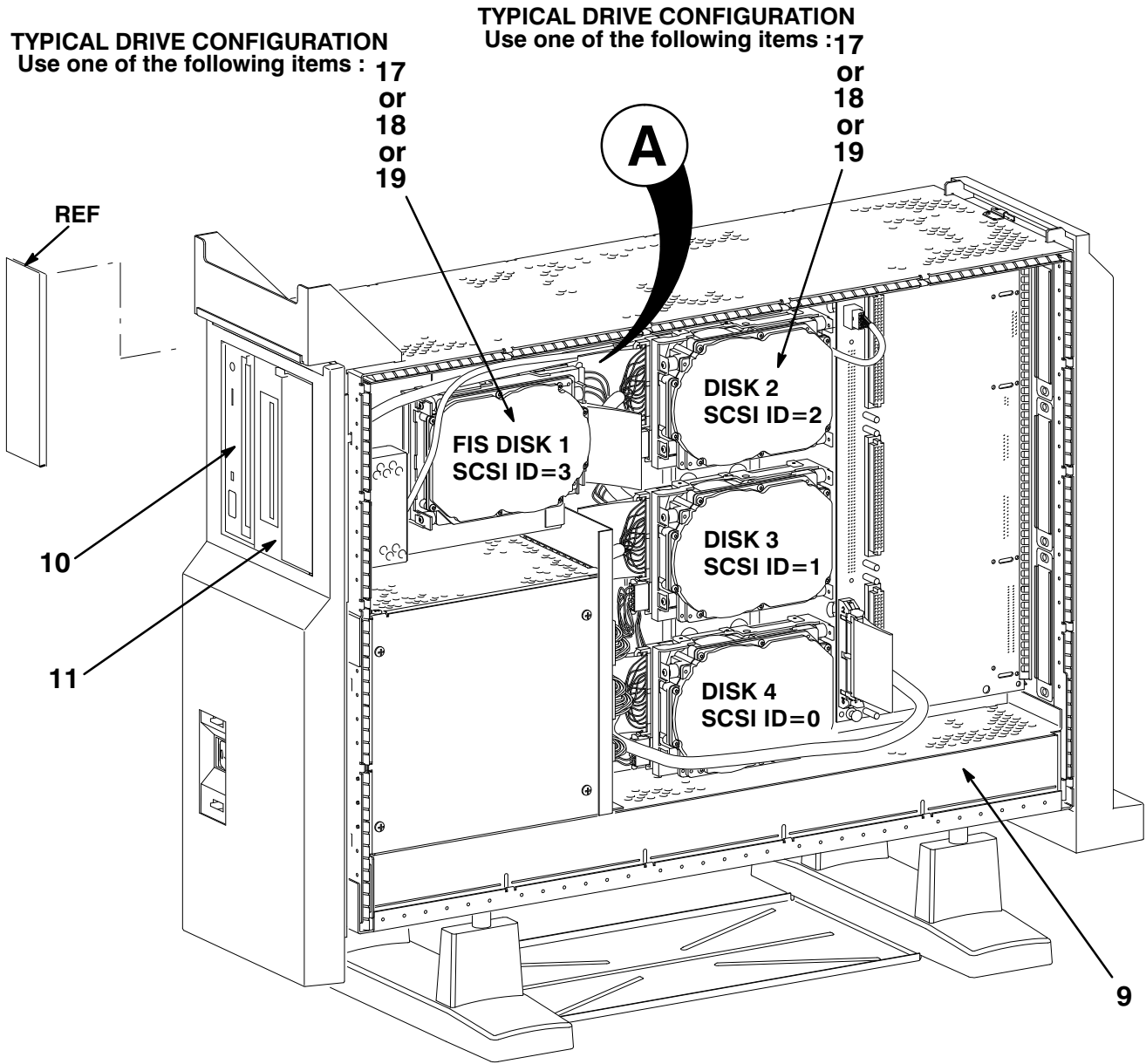
**NOTE 3: BLANK BEZEL, PART NUMBER 74-44487-02, PART OF PE52A.**

**Figure 1A. PE520 System Box – DEC 3000 Model 800 (Sheet 4 of 4)**

FIG. & ITEM NO.	DESCRIPTION	DEC PART NO. <sup>B</sup>	ECO CUT-IN PE520 00000	USED ON CODE	REF FIG NO.
1A-	PE520 WORKSTATION SBB – DEC 3000 Model 800				
	Code A – DEC 3000 Model 800 OSF/1 AXP Base License (120V/240V)	PE520-AA		A	
	Code B – DEC 3000 Model 800 Open VMS AXP Base License (120V/240V)	PE520-BA		B	
	Code C – DEC 3000 Model 800 OSF/1 Base License (120V/240V)	PE520-CA		C	
	Code D – DEC 3000 Model 800 Open VMS AXP Base License (120V/240V)	PE520-DA		D	
	Code E – DEC 3000 Model 800 OSF/1 Base Base License (120V/240V)	PE520-EA		E	
	Code F – DEC 3000 Model 800 Open VMS AXP Base License (120V/240V)	PE520-FA		F	
	Code G – DEC 3000 Model 800 OSF/1 Base Base License (120V/240V)	PE520-GA		G	
	Code H – DEC 3000 Model 800 Open VMS AXP License (120V/240V)	PE520-HA		H	
	Code J – DEC 3000 Model 800, No Software License (120V/240V)	PE520-ZA		J	
	NOTE: USED ON CODE REFERS TO THIS FIGURE ONLY.				
1	*Module, 32 MB Memory Option (Not Shown)	MS15-CA		ABJ	
2	*Module, 64 MB Memory Option (Not Shown)	MS15-DA		CD	
3	*Drive, RZ25 Factory Inst. 426 MB SCSI Disk	RZ25-EJ			
4	*Drive, TZK10 Factory Inst. 525 MB	TZK10-MF			
5	*Mouse, Corporate 3 Button (Not Shown)	VSXXX-GA			
6	*Cord, Power 3-18 SJT (for 120V System only) (Not Shown)	17-00083-42			
7	*Cord, Power (International) (See Note 1) (Not Shown)	70-29565-01			
8	*License, DEC 3000 Model 800 OSF Software	75-00022-10		ACEG	
9	*License, DEC 3000 Model 800 VMS Software	75-00022-09		BDFH	
10	*KERNEL ASSY., DESKSIDE WORKSTATION	PE52A-A9			2A
11	*Drive, RRD42 CD-Rom Disk (deleted)	RRD42-HM	00001		
12	*DRIVE, RX26 2.8MB 3.5 INCH DISKETTE	RX26-FT			6
13	*Drive, TLZ06 4GB 4MM DAT 5.25 Inch	TLZ06-MF			
	NOTE 1: Power Cords are country specific, see country kit.				

FIG. & ITEM NO.	DESCRIPTION	DEC PART NO. <sup>B</sup>	ECO CUT-IN PE520 00000	USED ON CODE	REF FIG NO.
1A-					
14	*Documentation, DEC 3000 Model 550 AXP Info	EK-FLMWS-DK			
15	*Documentation, Guide To Using F.I. VMS	EK-A0377-UG		BDFH	
16	*Documentation, Guide To Using F.I. OSF	EK-SFFIS-UG		ACEG	
17	*Drive, RZ26 1.05GB SCSI Disk w/Mounting HW	RZ26-EJ			
18	NOT USED				
19	*Module, 128MB Memory Option (Not Shown)	MS15-EA		EF	
20	*Module, 256MB Memory Option (Not Shown)	MS15-FA		GH	
21	*Drive, RZ25 535MBF SCSI Disk	RZ25L-EJ			
22	*Drive, RZ26L 3.5 Inch 1.05GB SCSI Disk	RZ26L-EJ			
23	*Drive, RZ28 2.1GB SCSI Disk	RZ28-EJ			
24	*Drive, TZK11 QIC-2B Tape	TZK11-MF			
25	*Drive, RRD43 CD-ROM 600 MB (added)	RRD43-HM	00001		
	(See Note)				
	<p>Note: RRD42-HM is an acceptable substitute for RRD43-HM.</p>				



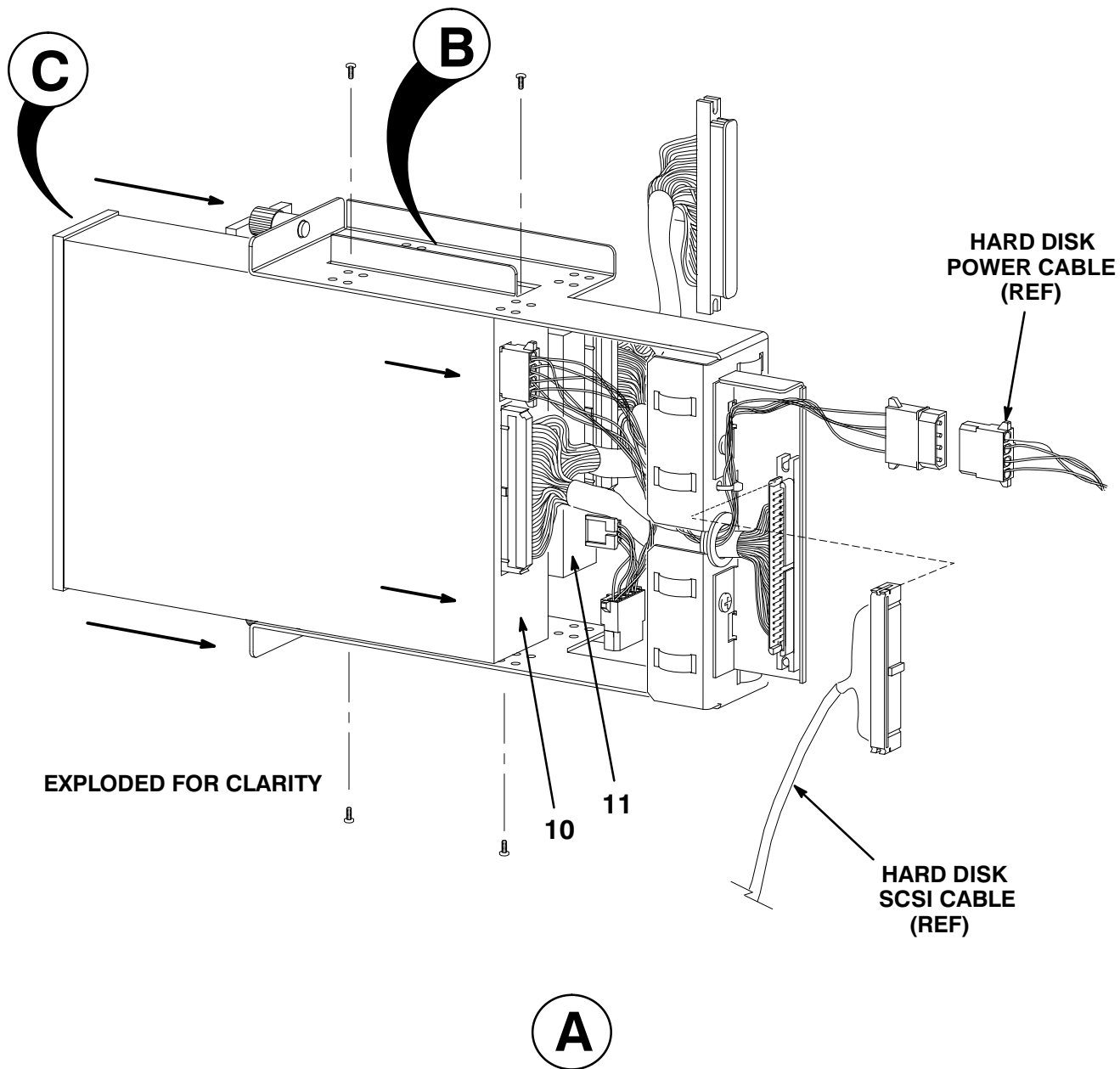


COVERS REMOVED FOR CLARITY

PE540-01-IL

Figure 1B. PE540 System Box – DEC 3000 Model 900 (Sheet 1 of 4)

TYPICAL DRIVE CONFIGURATION  
WITH REMOVABLE MEDIA CABLING

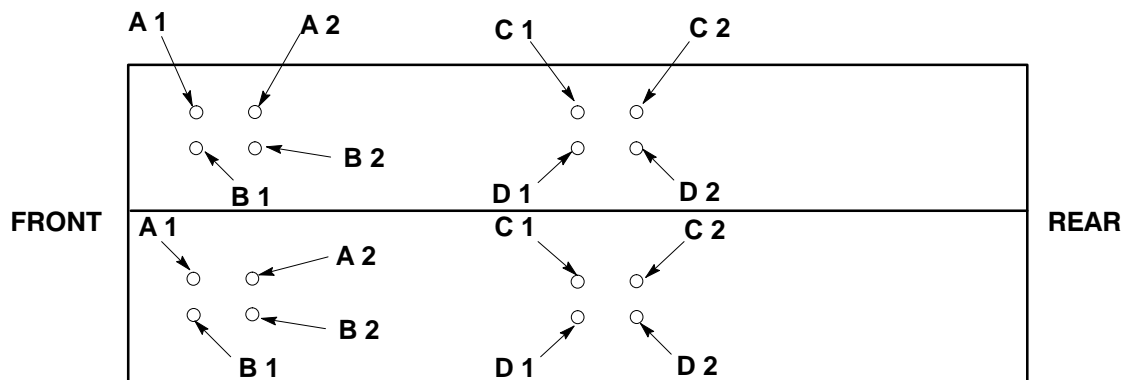


PE540-1A-IL

Figure 1B. PE540 System Box – DEC 3000 Model 900 (Sheet 2 of 4)



**REMOVABLE MEDIA BRACKET –  
MOUNTING HOLE CONFIGURATIONS**



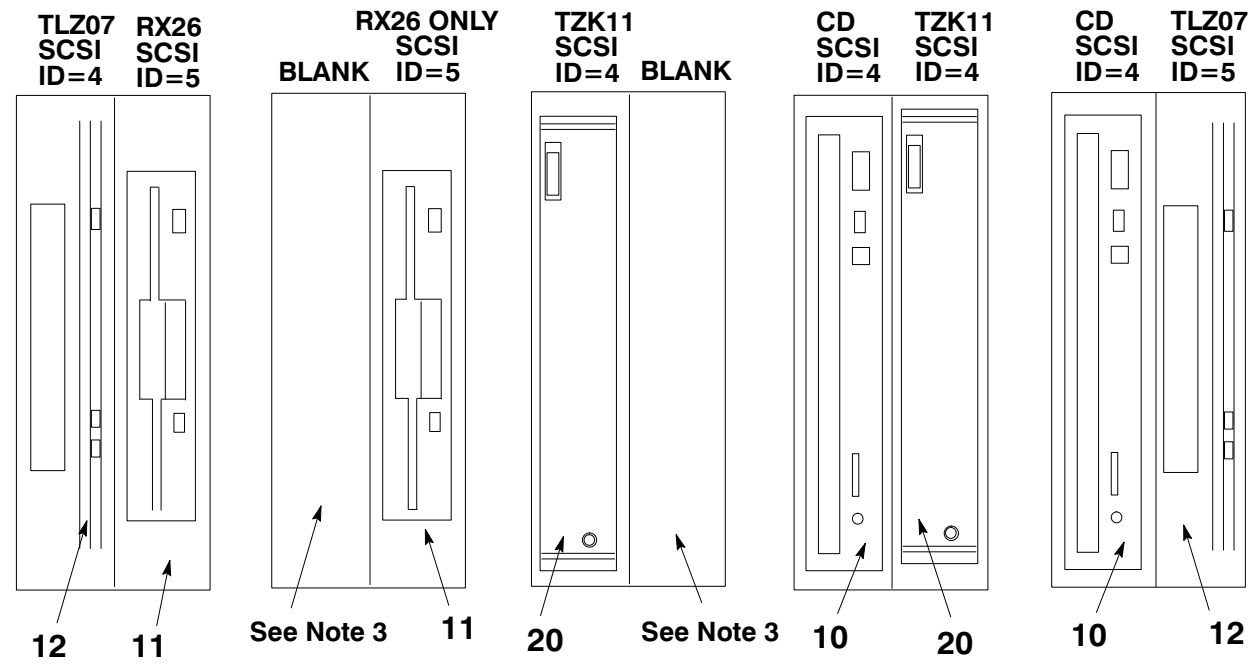
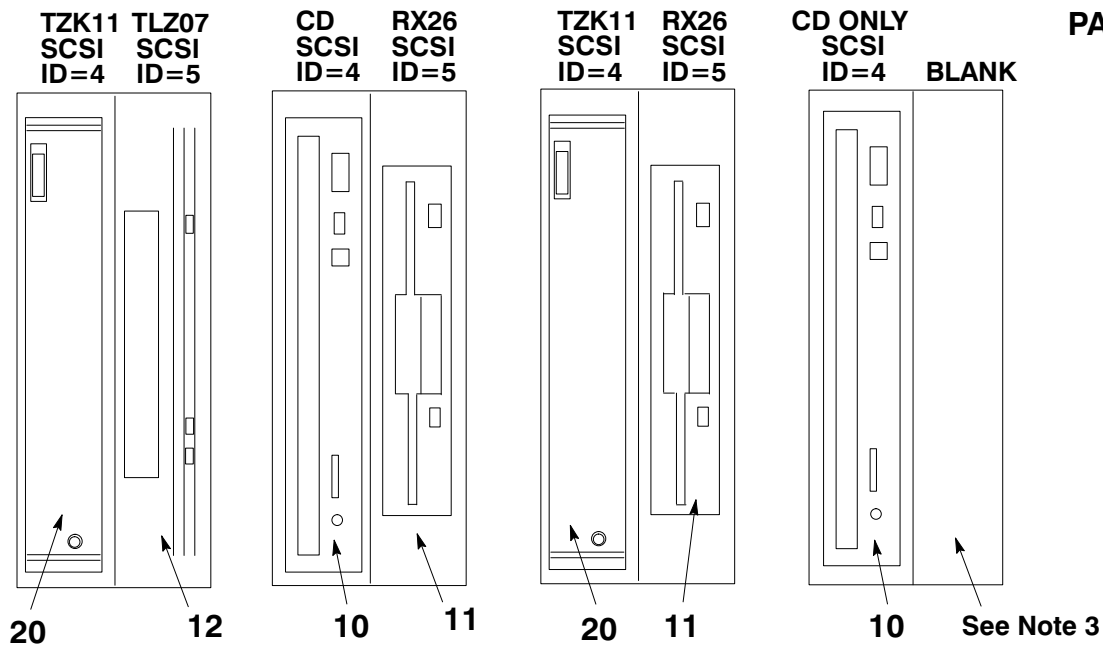
**NOTE: DRIVES WITH TWO MOUNTING HOLES PER SIDE  
ATTACH USING HOLES "B1" & "D1".**

**DRIVES WITH FOUR MOUNTING HOLES PER SIDE  
SHOULD ALIGN WITH HOLES "A1/B1" & "C1/D1",  
BUT SCREWS INSERT INTO HOLES "B1" & "D1".**

**B**

PE540-1B-IL

**Figure 1B. PE540 System Box – DEC 3000 Model 900 (Sheet 3 of 4)**



**C REMOVEABLE MEDIA FACTORY CONFIGURATIONS**

**NOTE 1: RX26 MUST OCCUPY THE RIGHT SIDE SLOT – ONLY ONE RX26 PER SYSTEM.**

**NOTE 2: TLZ07 (ITEM 12) MAY BE USED IN TZK11 SLOT**

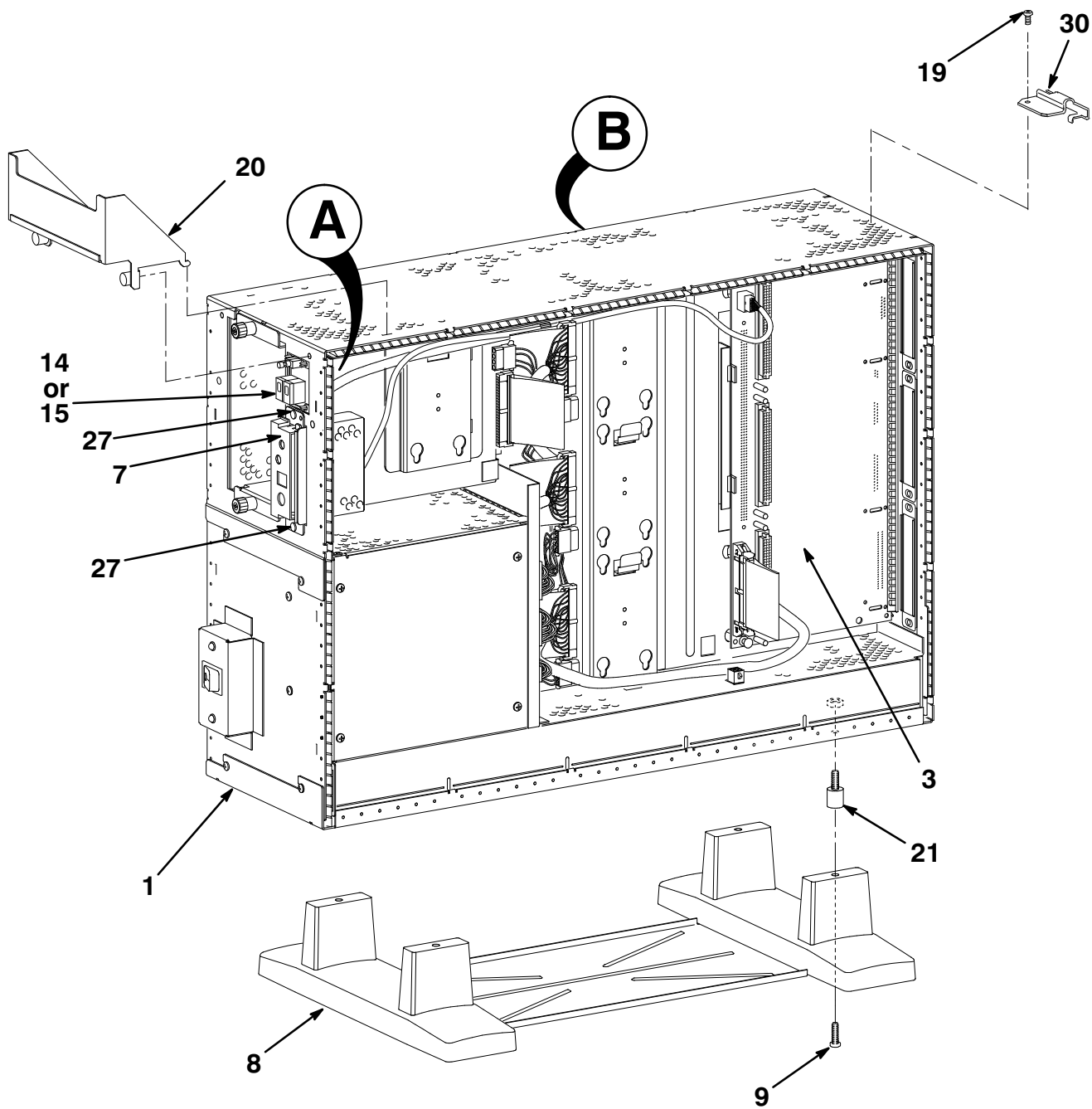
PE540-01C-IL

**NOTE 3: BLANK BEZEL, PART NUMBER 74-44487-02, PART OF PE54A.**

**Figure 1B. PE540 System Box – DEC 3000 Model 900 (Sheet 4 of 4)**

FIG. & ITEM NO.	DESCRIPTION	DEC PART NO. <sup>A</sup>	ECO CUT-IN PE540 00000	USED ON CODE	REF FIG NO.
1B-	PE540 WORKSTATION SBB – DEC 3000 Model 900				
	Code A – DEC 3000 Model 900 Open OSF/1 AXP Base License (120V/240V)	PE540-BA		A	
	Code B – DEC 3000 Model 900 OSF/1 Base License (120V/240V)	PE540-CA		B	
	Code C – DEC 3000 Model 900 OSF/1 AXP Base License (120V/240V)	PE540-DA		C	
	Code D – DEC 3000 Model 900 OSF/1 AXP Base License (120V/240V)	PE540-EA		D	
	Code E – DEC 3000 Model 900 Open VMS AXP Base License (120V/240V)	PE540-MA		E	
	Code F – DEC 3000 Model 900 Open VMS AXP Base License (120V/240V)	PE540-NA		F	
	Code G – DEC 3000 Model 900 Open VMS AXP Base License (120V/240V)	PE540-PA		G	
	Code H – DEC 3000 Model 900, Open VMS AXP Base License (120V/240V)	PE540-RA		H	
	Code J – DEC 3000 Model 900, No Memory	PE540-RA		J	
	NOTE: USED ON CODE REFERS TO THIS FIGURE ONLY.				
1	*Module, 32 MB Memory Option (Not Shown)	MS15-CA		AE	
2	*Module, 64 MB Memory Option (Not Shown)	MS15-DA		BF	
3	*Module, 128MB Memory Option (Not Shown)	MS15-EA		CG	
4	*Module, 256 MB Memory Option (Not Shown)	MS15-FA		DH	
5	*Mouse, Corporate 3 Button (Not Shown)	VSXXX-GA			
6	*Cord, Power (International) (See Note 1) (Not Shown)	70-29565-01			
7	*License, DEC 3000 Model 900 VMS Software	75-00022-15		FGHJ	
8	*License, DEC 3000 Model 900 OSF Software	75-00022-16		ABCD	
9	*KERNEL ASSY., DESKSIDE WORKSTATION	PE54A-A9			2B
10	*Drive, RRD43 600 MB CD-ROM Disk	RRD43-HM			
11	*DRIVE, RX26 2.8 MB 3.5 INCH DISKETTE	RX26-FT			6
12	*Drive, TLZ07 8 GB 4MM DAT 5.25 Inch	TLZ07-MF			
13	*Documentation, DEC 3000 Model 550 AXP Info	EK-FLMWS-DK			
14	*Documentation, Guide To Using F.I. VMS	EK-A0377-UG		EFGH	
15	*Documentation, Guide To Using F.I. OSF	EK-SFFIS-UG		ABCD	
16	NOT USED				
17	*Drive, RZ25 535MBF SCSI Disk	RZ25L-EJ			
18	*Drive, RZ26L 3.5 Inch 1.05 GB SCSI Disk	RZ26L-EJ			
19	*Drive, RZ28 2.1 GB SCSI Disk	RZ28-EJ			
20	*Drive, TZK11 QIC-2B Tape	TZK11-MF			
	NOTE 1: Power Cords are country specific.				

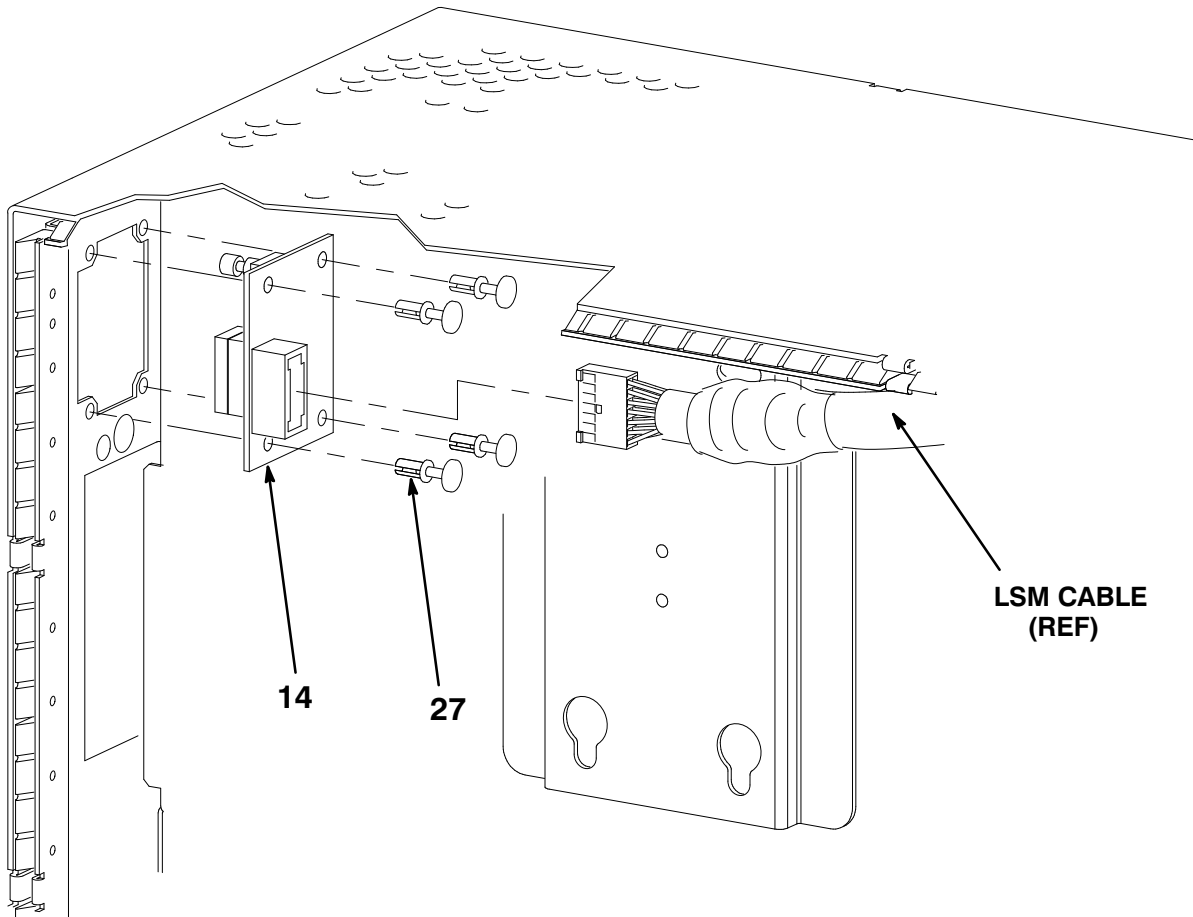
THIS PAGE INTENTIONALLY LEFT BLANK



**A9, B9, C9, & D9 VARIATIONS ONLY**

PE50A-02-IL

**Figure 2. Kernel Assembly (Sheet 1 of 12)**

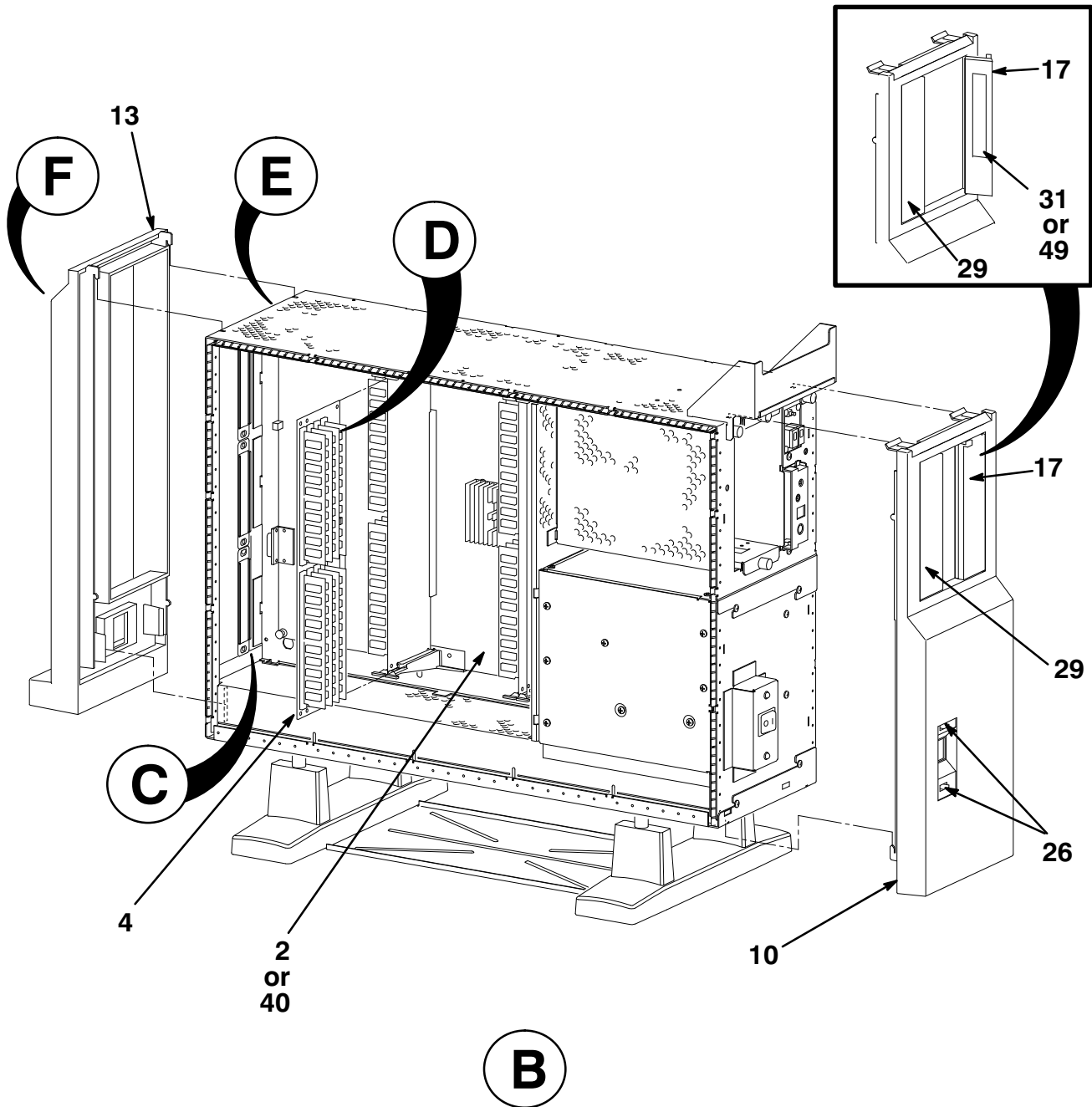


**A**

PE50A-02A-IL

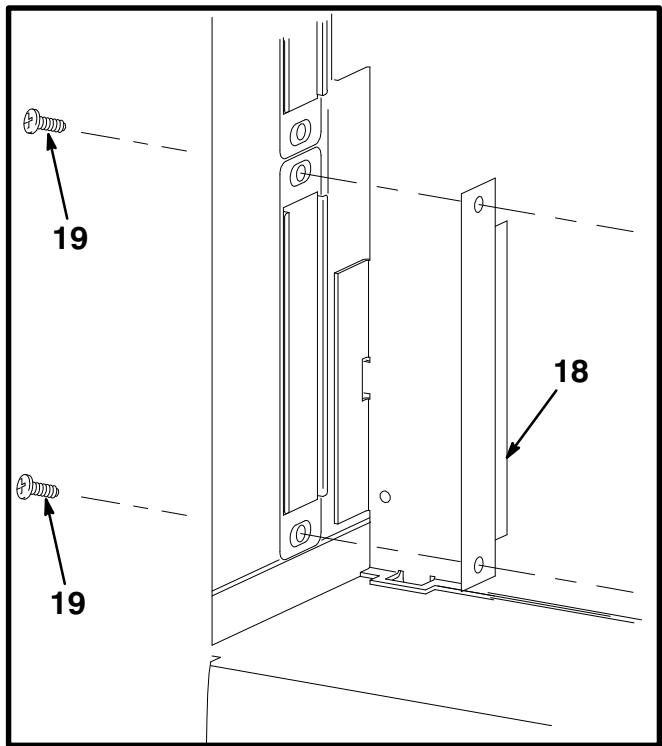
**Figure 2. Kernel Assembly (Sheet 2 of 12)**



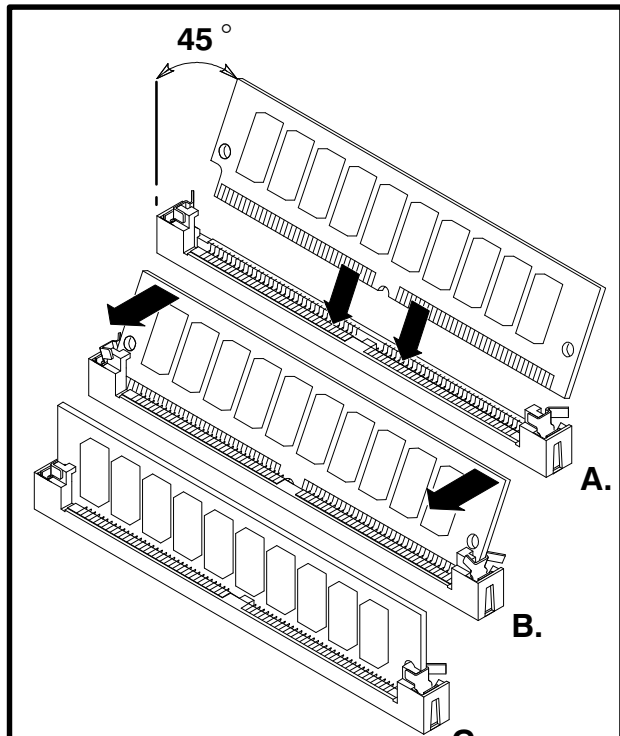


PE50A-02B-IL

Figure 2. Kernel Assembly (Sheet 3 of 12)

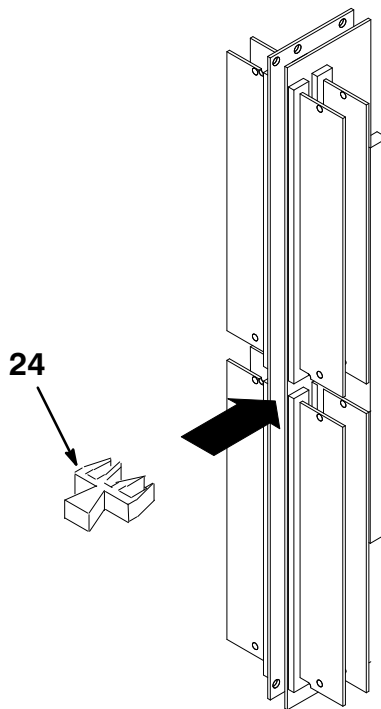


**C**



**SIMM Card Installation**

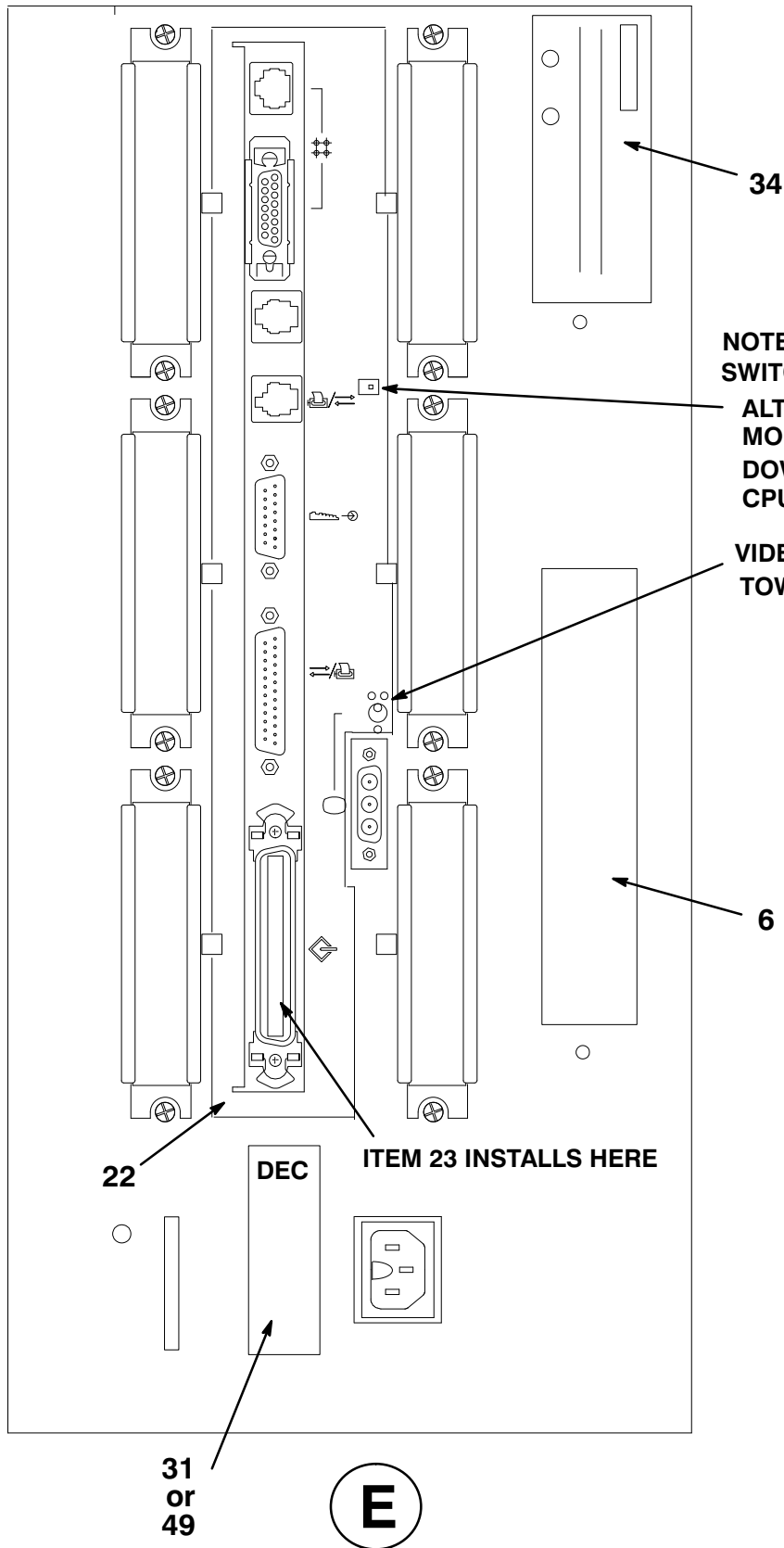
**D**



**Module Spacer Support Installation**

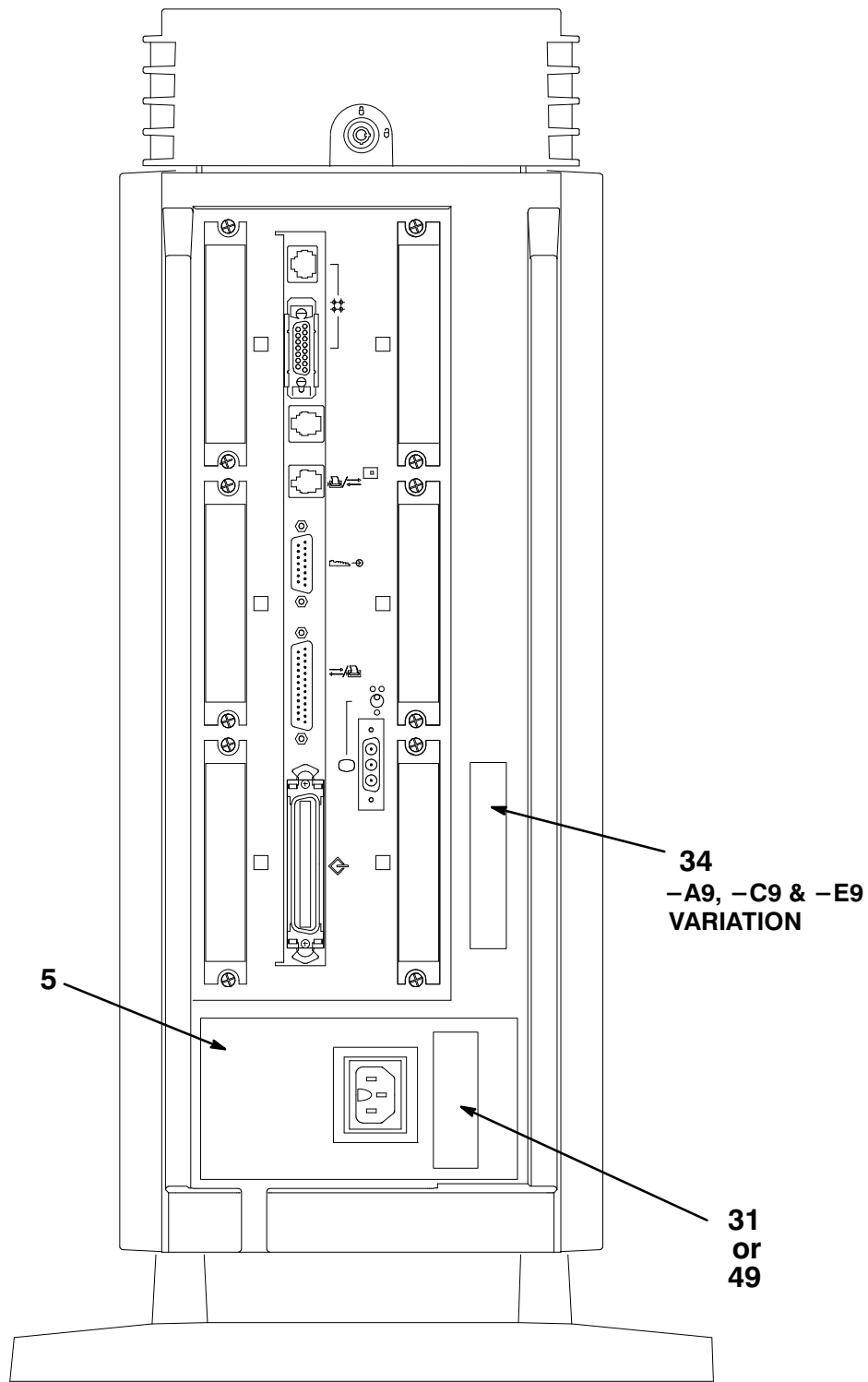
PE50A-02C-IL

**Figure 2. Kernel Assembly (Sheet 4 of 12)**



**Figure 2. Kernel Assembly (Sheet 5 of 12)**

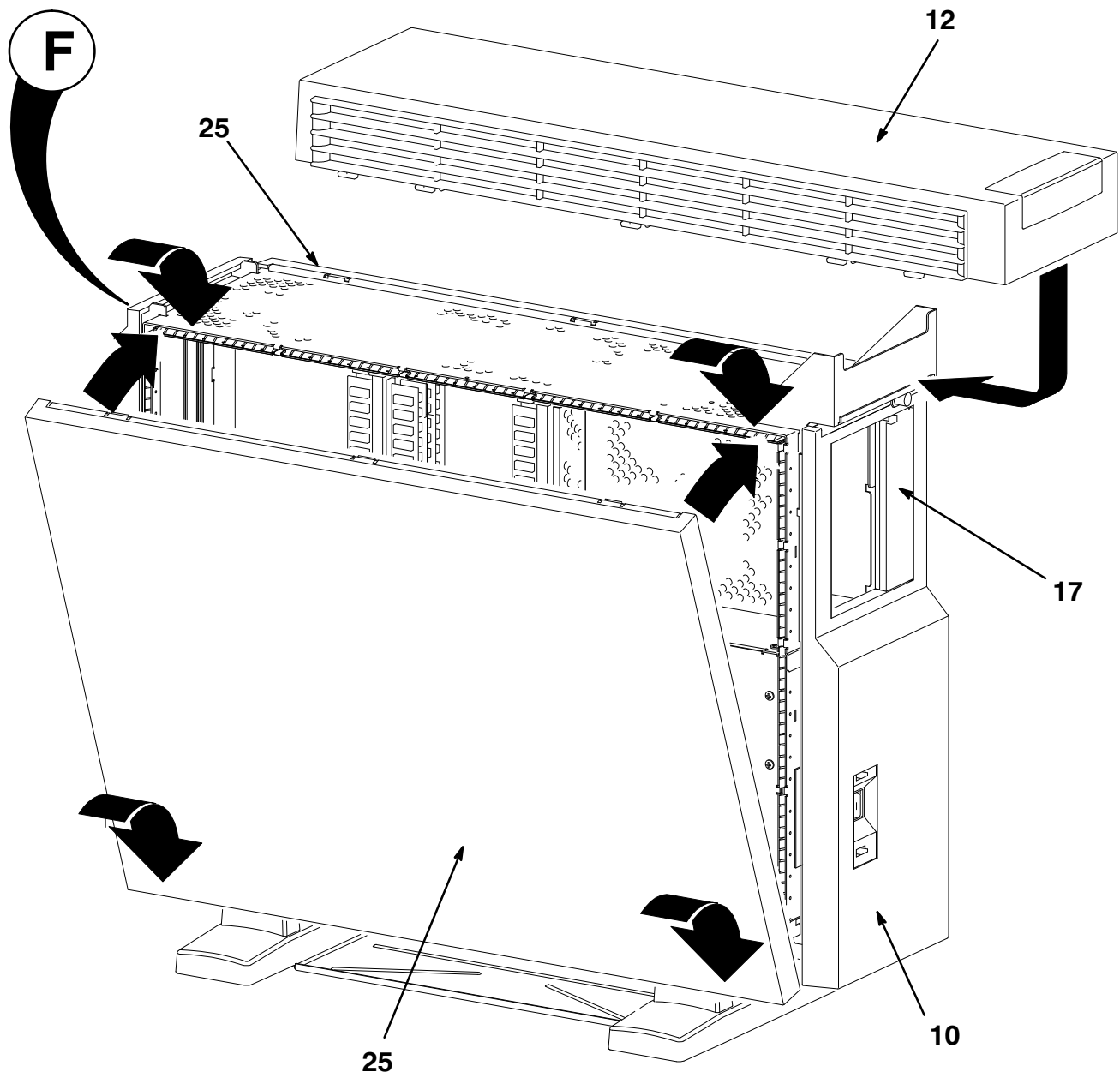
PE50A-02D-IL



**F** REAR VIEW w/ BEZEL

PE50A-02E-IL

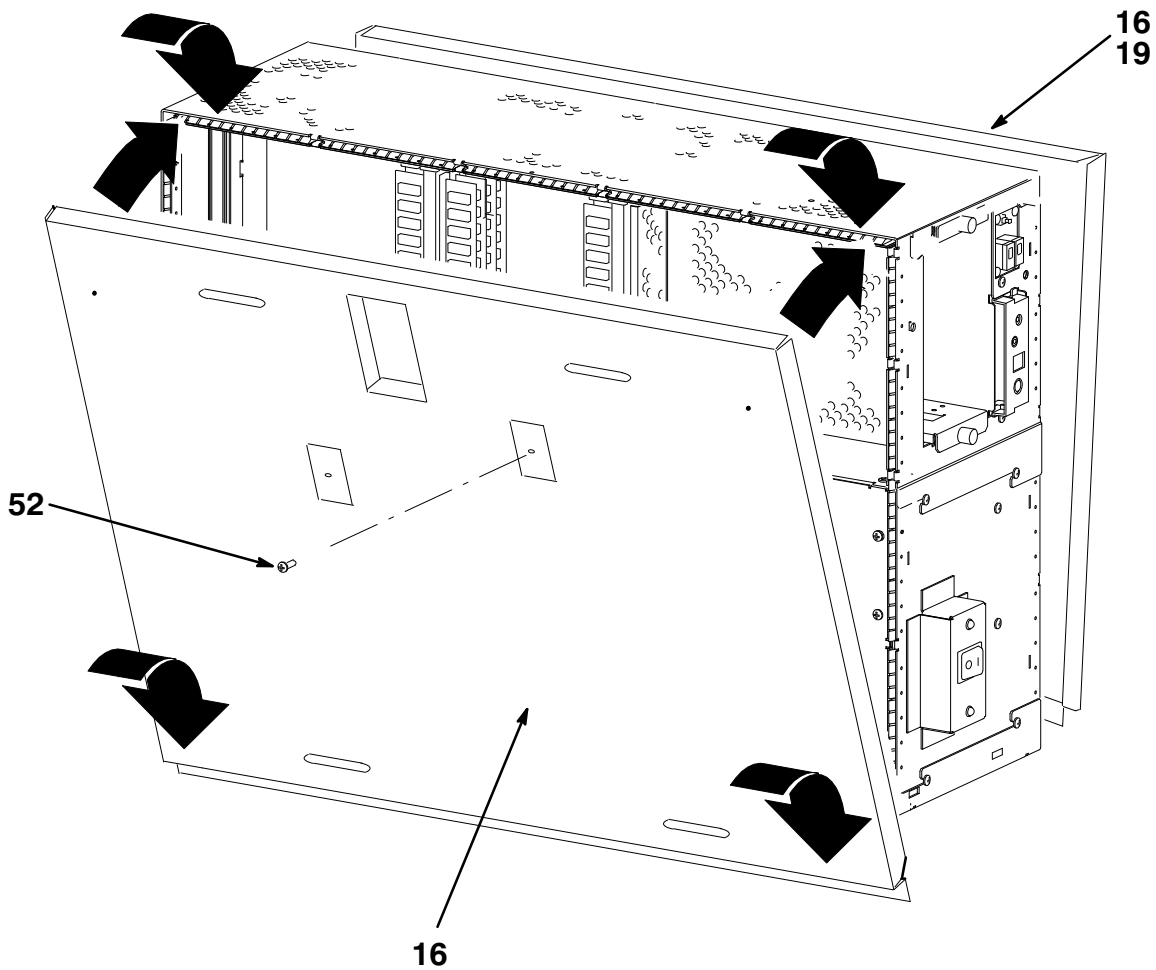
Figure 2. Kernel Assembly (Sheet 6 of 12)



-A9, -C9 & -E9 VARIATION

PE50A-02F-IL

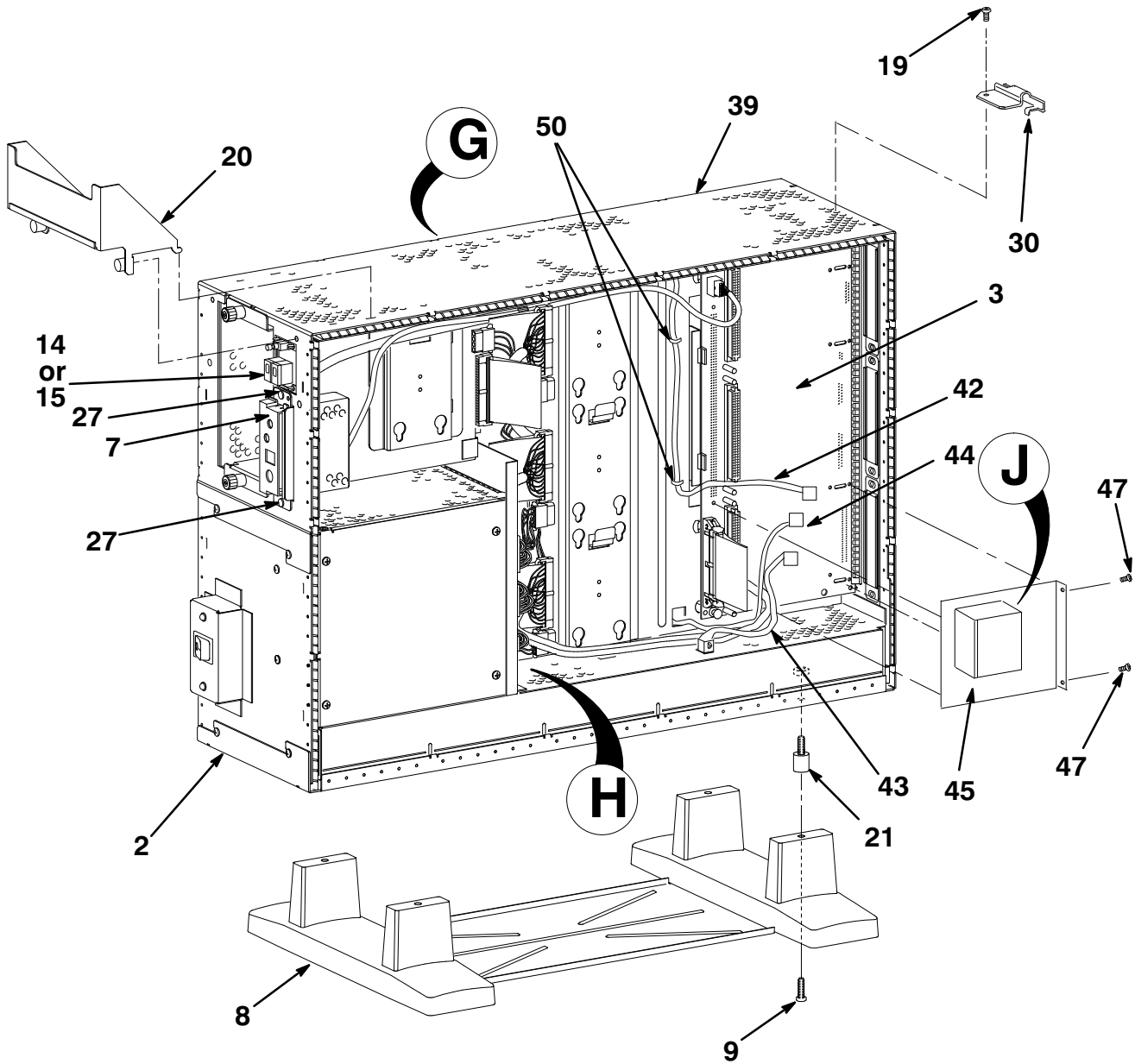
Figure 2. Kernel Assembly (Sheet 7 of 12)



-B9 & -D9 VARIATION

PE50A-02G-IL

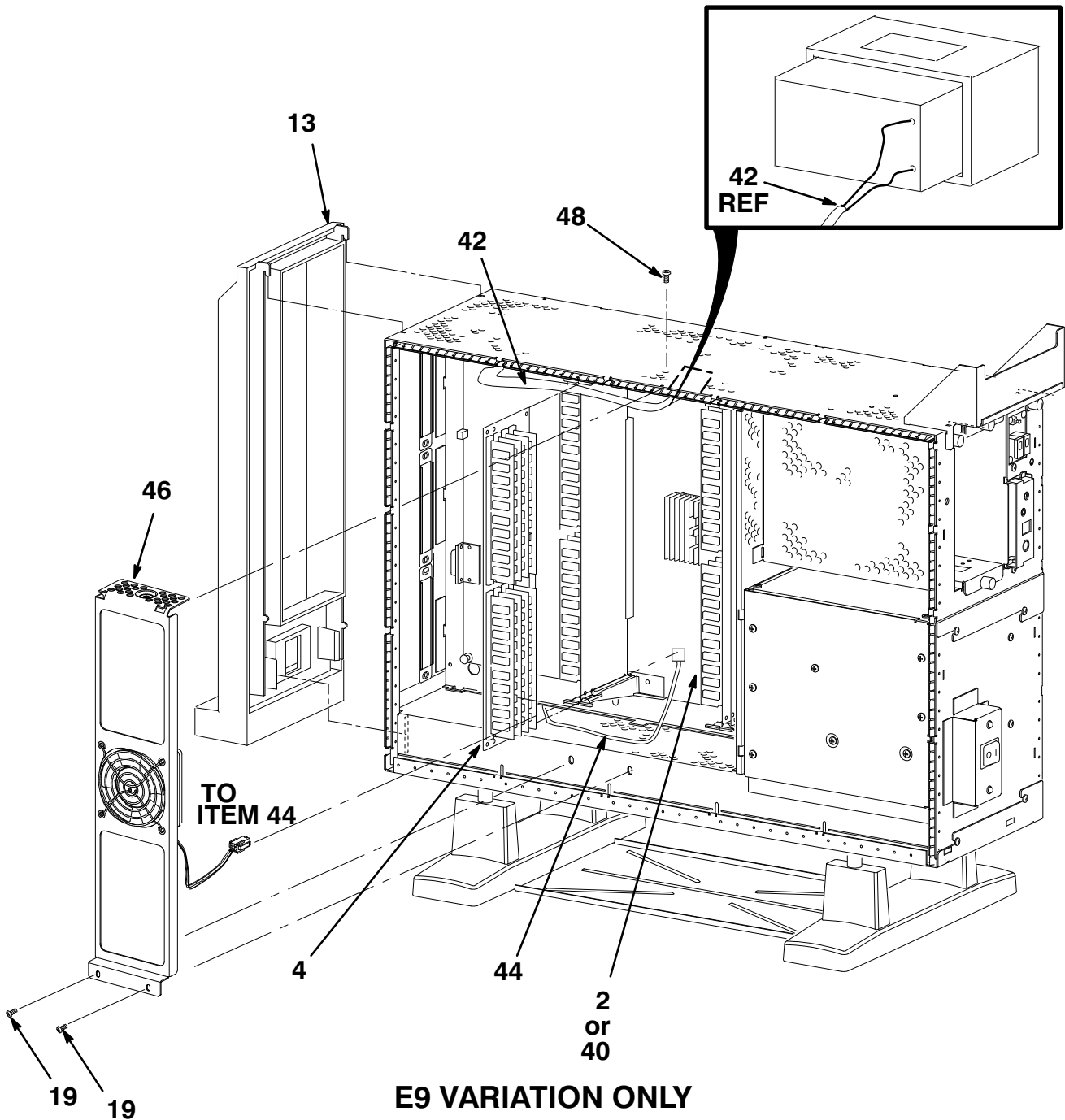
Figure 2. Kernel Assembly (Sheet 8 of 12)



**E9 VARIATION ONLY**

PE50A-02H-IL

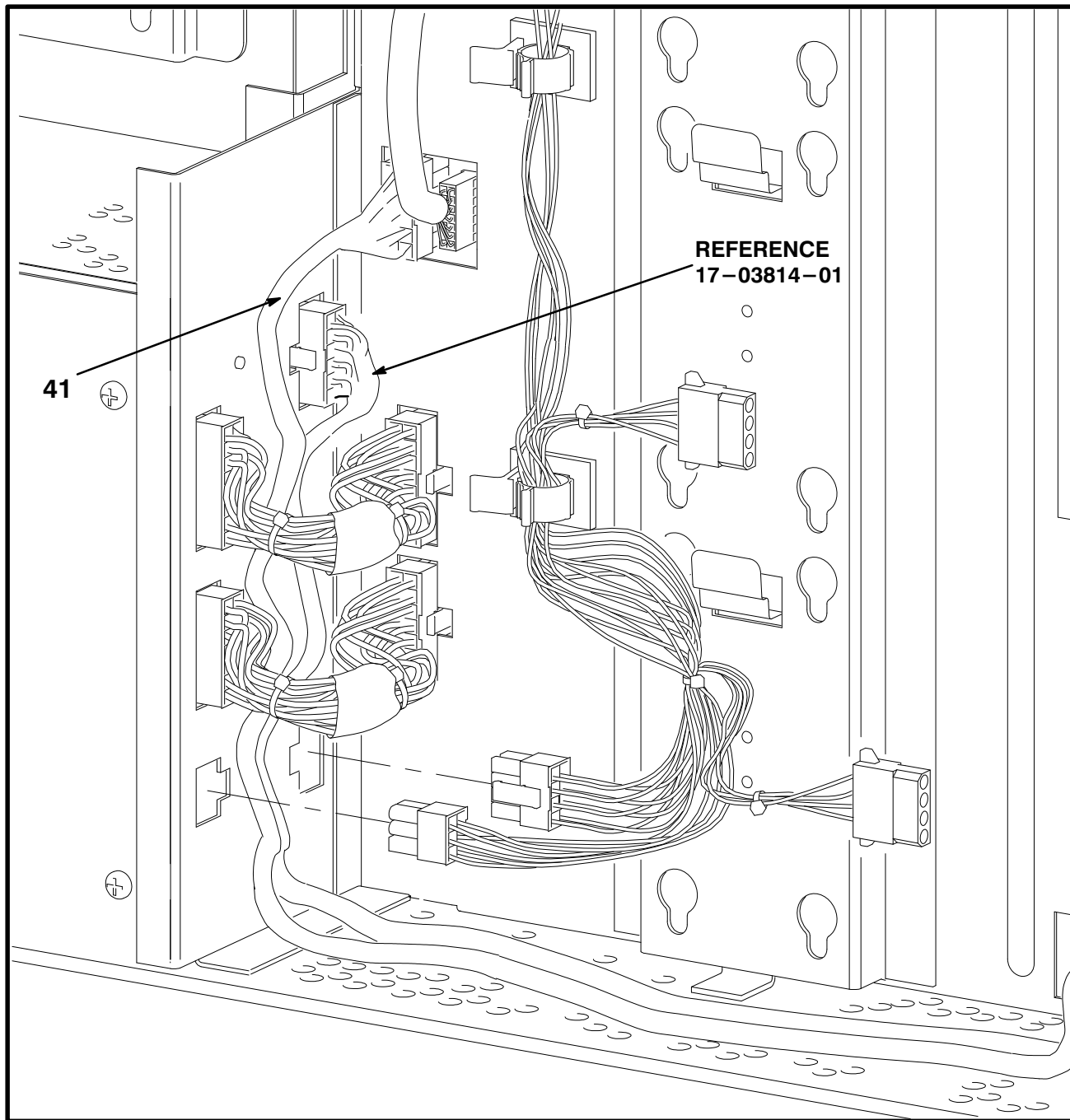
**Figure 2. Kernel Assembly (Sheet 9 of 12)**



PE50A-021-IL

Figure 2. Kernel Assembly (Sheet 10 of 12)



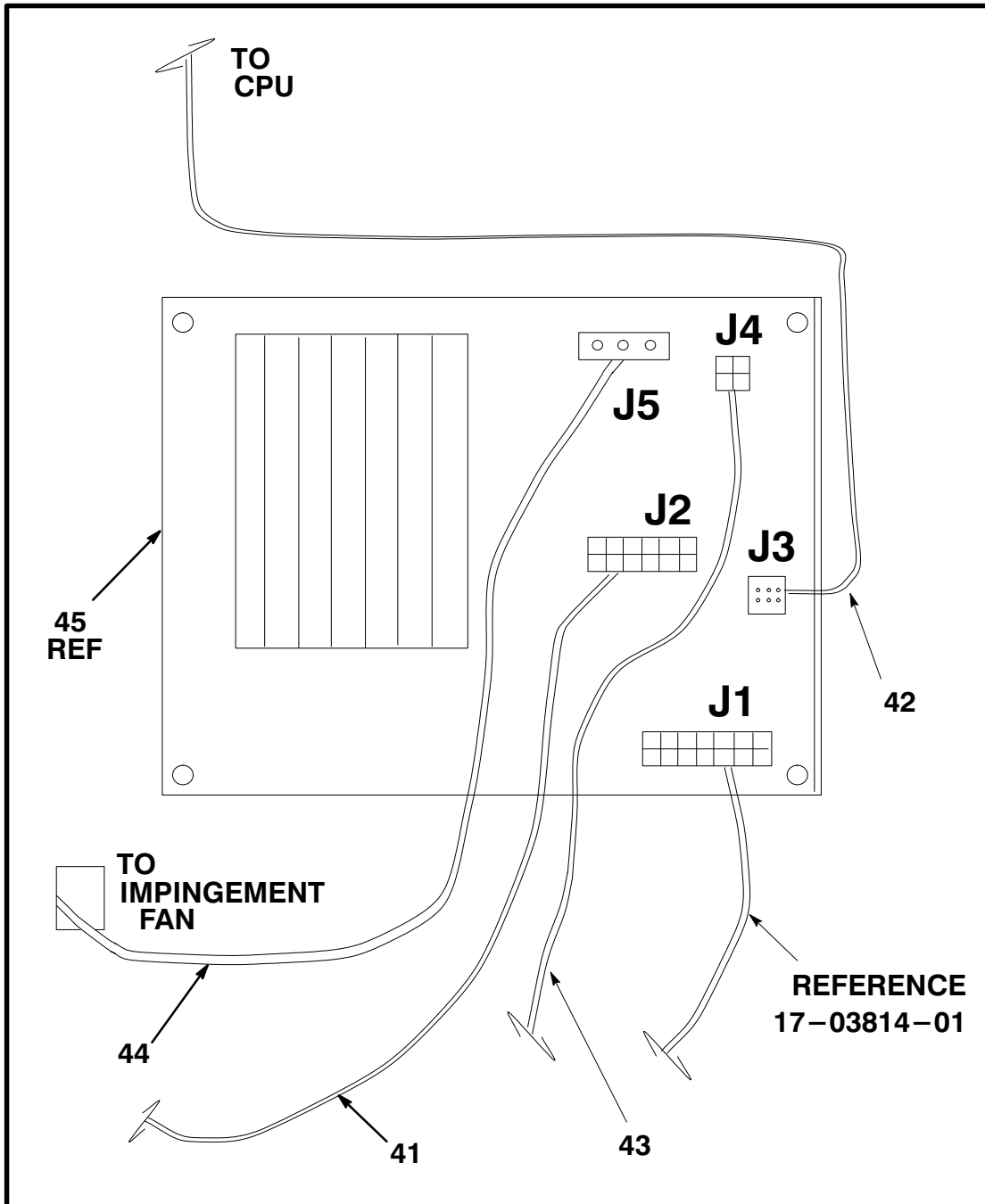


**H** E9 VARIATION ONLY

PE50A-02J-IL

Figure 2. Kernel Assembly (Sheet 11 of 12)

**J** E9 VARIATION ONLY  
CABLING TO REGULATOR BOARD

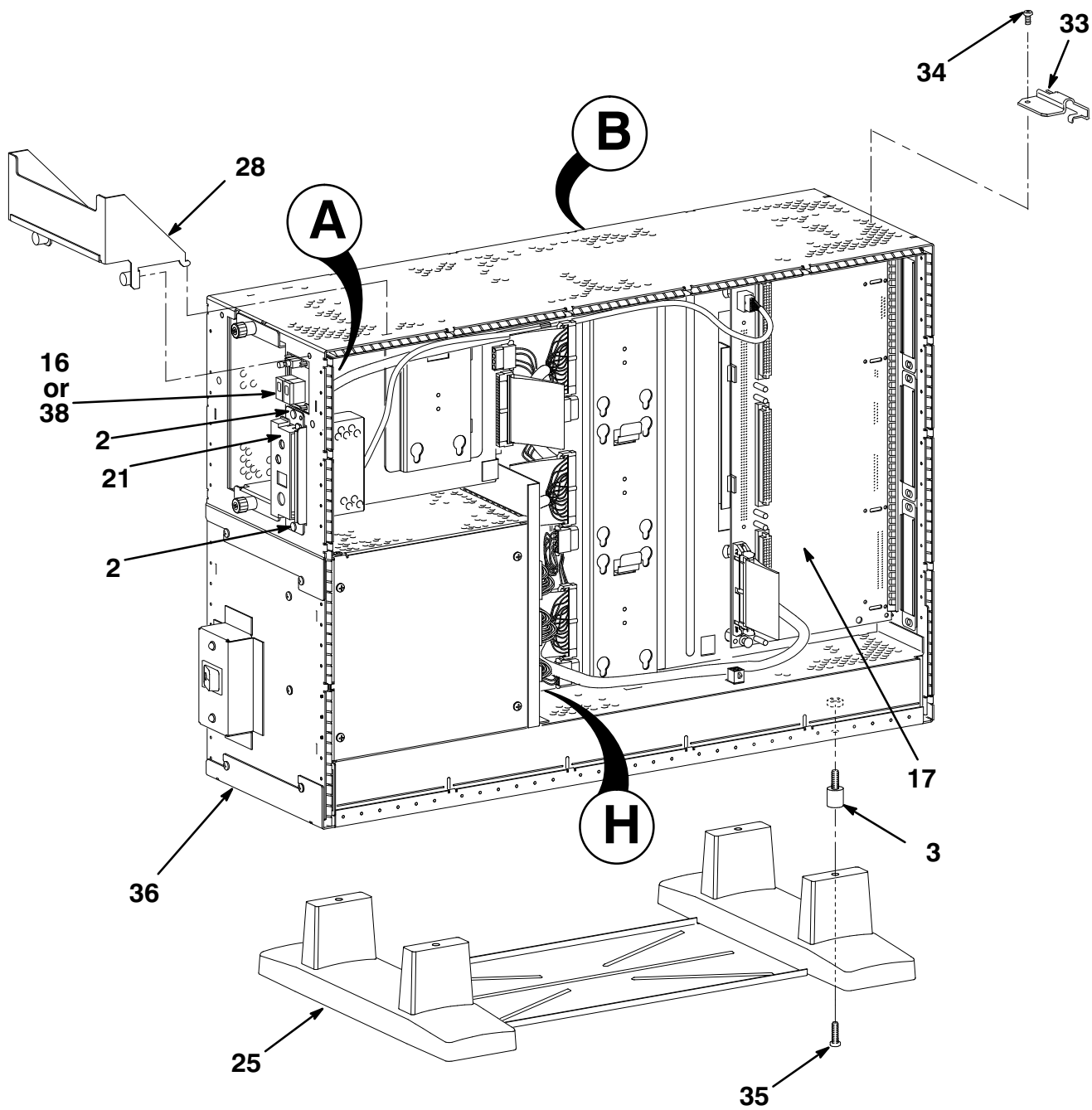


PE50A-02K-IL

Figure 2. Kernel Assembly (Sheet 12 of 12)

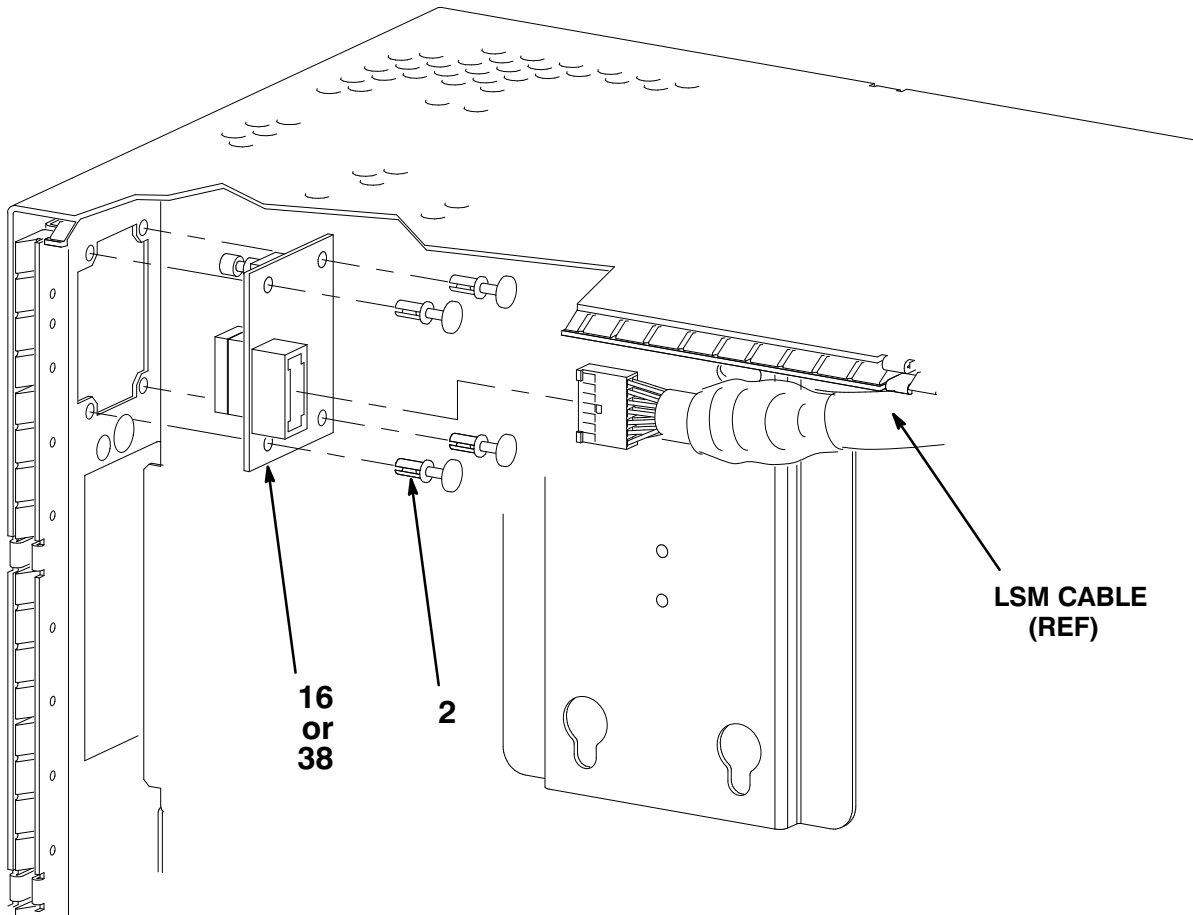
FIG.& ITEM NO.	DESCRIPTION	DEC PART NO.	ECO CUT-IN PE50A 00000	USED ON CODE	REF FIG NO.
2-	<b>KERNEL ASSEMBLY</b>				1
	Code A – KERNEL ASSY, DESKTOP PEDESTAL	PE50A-A9		A	
	Code B – KERNEL ASSY, RACKMOUNT	PE50A-B9		B	
	Code C – KERNEL ASSY, PEDESTAL SERVER	PE50A-C9		C	
	Code D – KERNEL ASSY, RACKMOUNT SERVER	PE50A-D9		D	
	Code E – KERNEL ASSY, HOT PINK	PE50A-E9		E	
1	<b>*ENCLOSURE ASSEMBLY</b>	BA66-A9		A-D	3
2	<b>*Module, System</b>	54-21149-01		A-D	
3	<b>*Module, I/O</b>	54-21147-01			
4	<b>*Module, MMB</b>	54-21141-01			
5	<b>*Label, Regulatory</b>	36-38923-01		ACE	
6	<b>*Label, Regulatory</b>	36-38923-02			
7	<b>*AUDIO ASSEMBLY</b>	70-29562-01			5
8	<b>*Pedestal</b>	74-43811-01		ACE	
9	<b>*Screw, Sems No. 10-32 x 1/2 Inch Hex Slot</b>	90-00049-45		ACE	
10	<b>*Bezel, Front Pedestal</b>	74-43830-01		ACE	
11	<b>*NOT USED</b>				
12	<b>*COVER ASSEMBLY, TOP</b>	70-30266-01		ACE	
12A	<b>**Cover, Top Plastic</b>	74-44073-01			
12B	<b>**Lock, Key</b>	12-36437-02			
12C	<b>**Medallion</b>	74-44618-01			
13	<b>*Bezel, Rear</b>	74-44072-01		ACE	
14	<b>*Module, Lights &amp; Switches Display</b>	54-21145-02		AC	
15	<b>*Module, Lights &amp; Switches Display (Not Shown)</b>	54-21145-01		BD	
16	<b>*Panel, Side Assembly Rack</b>	70-29564-01		BD	
17	<b>*Door, LSM</b>	74-44620-01		ACE	
18	<b>*Blank, Bulkhead Assembly</b>	74-41143-05			
19	<b>*Screw, Sems Pan Hd No. 6-32 x 1/4 Inch</b>	90-00049-01			
20	<b>*Handle, Cover</b>	74-44143-01		ACE	
21	<b>*Mount, Shock</b>	12-38682-01		ACE	
22	<b>*Label, Rear Connector</b>	36-38245-01			
23	<b>*Connector, SCSI Term 50 Pos Champ Hsg</b>	12-30552-01			
24	<b>*Support, Module Spacer</b>	74-45215-01			
25	<b>*Panel, Side Assembly Pedestal</b>	70-29563-01		ACE	
26	<b>*Light, Pipe</b>	74-44619-01		ACE	
27	<b>*Rivet, Removable</b>	12-36064-01			
28	<b>*Kit, Accessory (Not Shown) (See Note 1)</b>	70-29566-01		ABE	
29	<b>*Bezel, Removable Media</b>	74-44487-02		ACE	
	<b>Note 1: For units built in the United Kingdom, use 70-29566-02.</b>				

FIG. & ITEM NO.	DESCRIPTION	DEC PART NO.	ECO CUT-IN PE50A 00000	USED ON CODE	REF FIG NO.
2-					
30	*Bracket, Pawl Lock	74-45837-01		ACE	
31	*Label, Serial Number (Made in USA)	36-34565-19		AB	
	*Label, Serial Number (Made in UK)	36-34565-20			
32	*Package Assembly (Not Shown)	37-01313-01		ACE	
33	*Label, "Factory Installed Software" (Not Shown)	36-28979-01			
34	*Label, Austel Warning	36-39563-01			
35	NOT USED				
36	*Accessory Kit, Server (Not Shown)	70-29566-03		CD	
37	*Label, Serial Number DEC3000, Model 500S (Made in USA) (Not Shown)	36-34565-25		CD	
	*Label, Serial Number DEC3000, Model 500S (Made in UK) (Not Shown)	36-34565-26		CD	
38	*Package Assembly (Not Shown) (added)	37-01348-03	00001	BD	
39	*ENCLOSURE ASSEMBLY	BA66-B9	00003	E	3
40	*Module, System (Hot Pink)	54-21149-03	00003	E	
41	*Cable Assembly, Regulator to CPU (J2-15)	17-03320-02	00003	E	
42	*Cable Assembly, Regulator to CPU (J3-19)	17-03817-01	00003	E	
43	*Cable Assembly, Regulator to Fan (J4-J4)	17-03816-01	00003	E	
44	*Cable Assembly, Regulator to Imping. Fan (J5-J1)	17-03815-01	00003	E	
45	*Regulator, 3.45V	54-23128-01	00003	E	
46	*Bracket Assembly, Fan	70-30888-01	00003	E	
47	*Screw, Sems Phi Pan Hd No. 6-32 x 1/4	12-30934-01	00003	E	
48	*Screw, Flat Hd Machine No. 8-32 x 1/2	90-06039-02	00003	E	
49	*Label, Serial Number (Made in USA)	36-34565-32	00003	E	
	*Label, Serial Number (Made in UK)	36-34565-33	00003	E	
50	*Clip, Cable (Adhesive Backed)	12-21249-05	00003	E	
51	NOT USED				
52	*Screw, Sems Pan Hd No. 6-32 x .437	90-09984-02	00003	BD	



PE52A-02A-IL

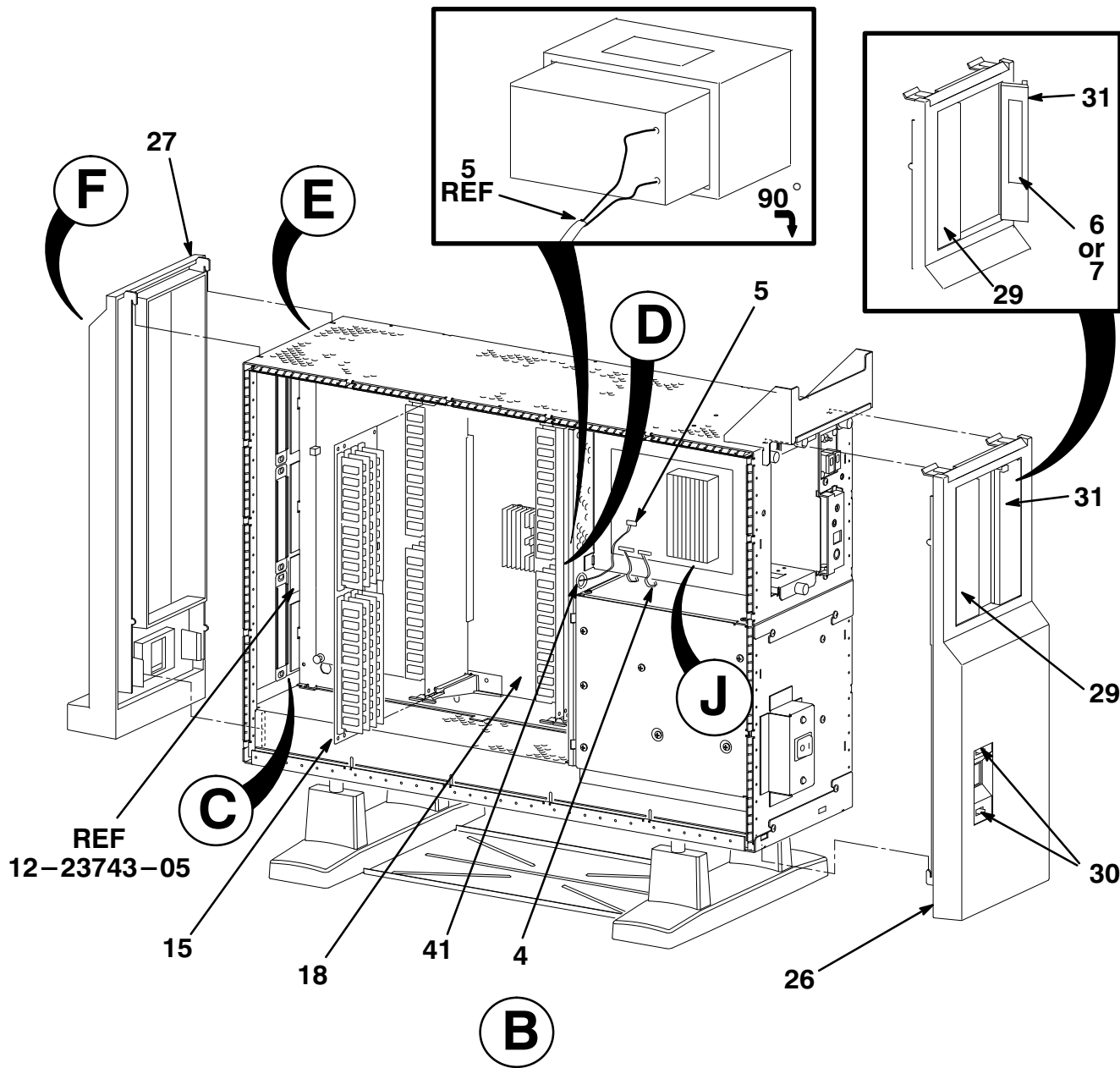
Figure 2A. Kernel Assembly, Model 800/800S (Sheet 1 of 10)



**A**

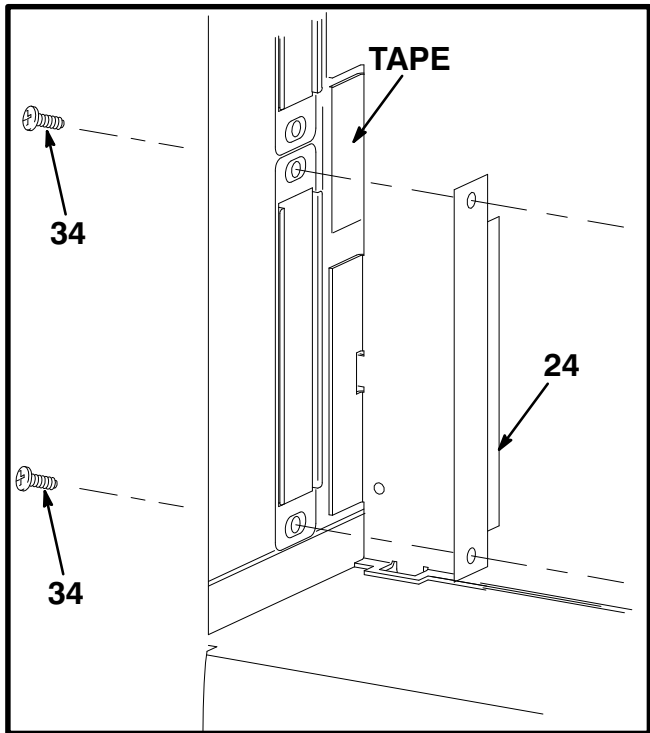
PE52A-02A-IL

**Figure 2A. Kernel Assembly, Model 800/800S (Sheet 2 of 10)**

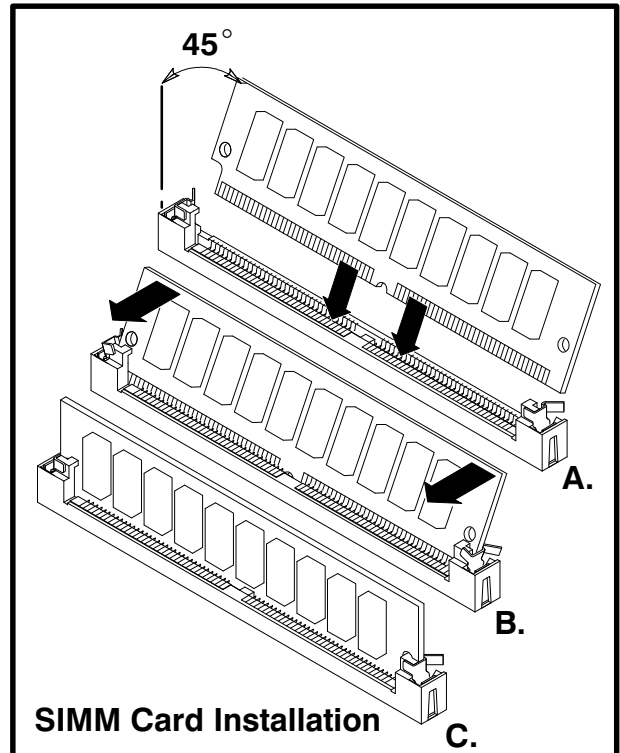


PE52A-2B-IL

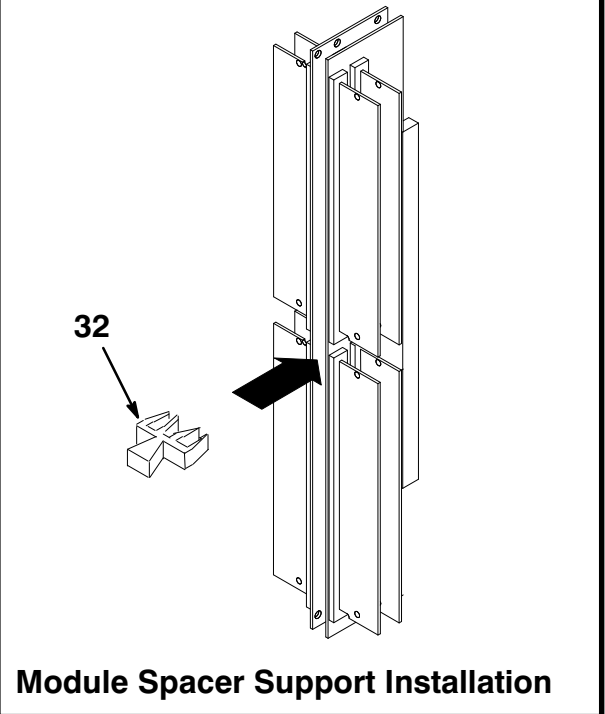
Figure 2A. Kernel Assembly, Model 800/800S (Sheet 3 of 10)



**C**



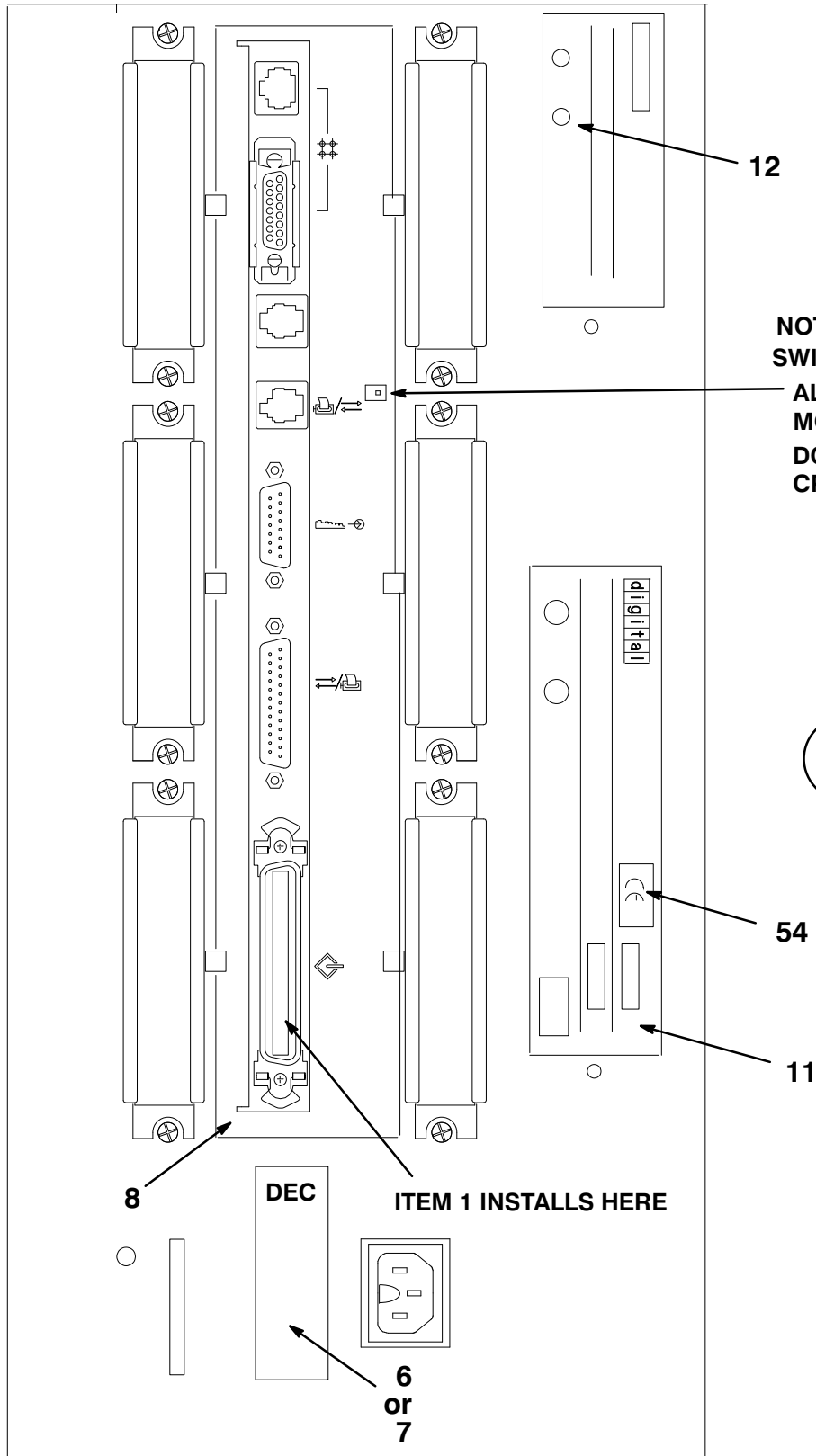
**D**



PE52A-2C-IL

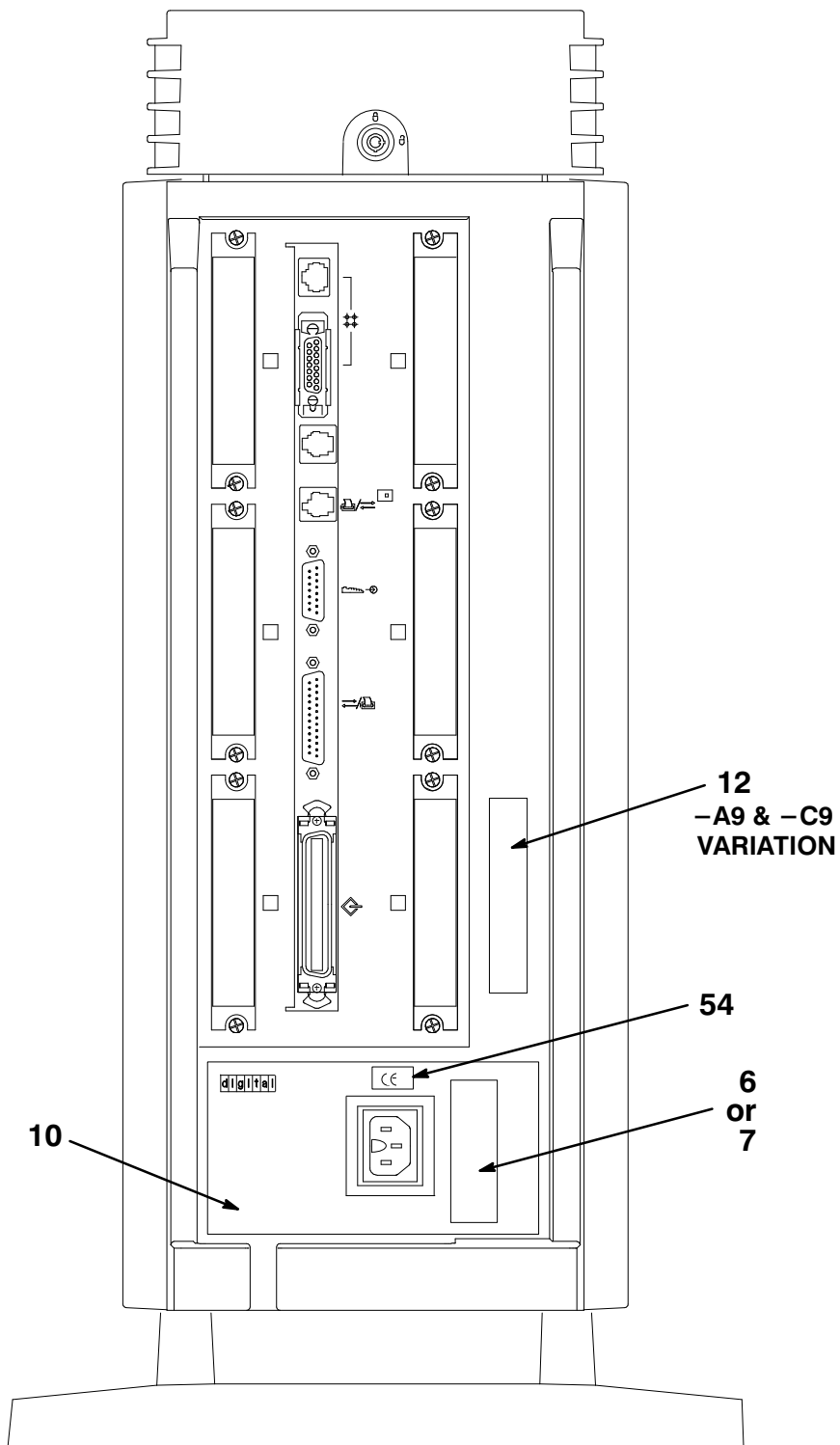
Figure 2A. Kernel Assembly, Model 800/800S (Sheet 4 of 10)





PE52A-2D-IL

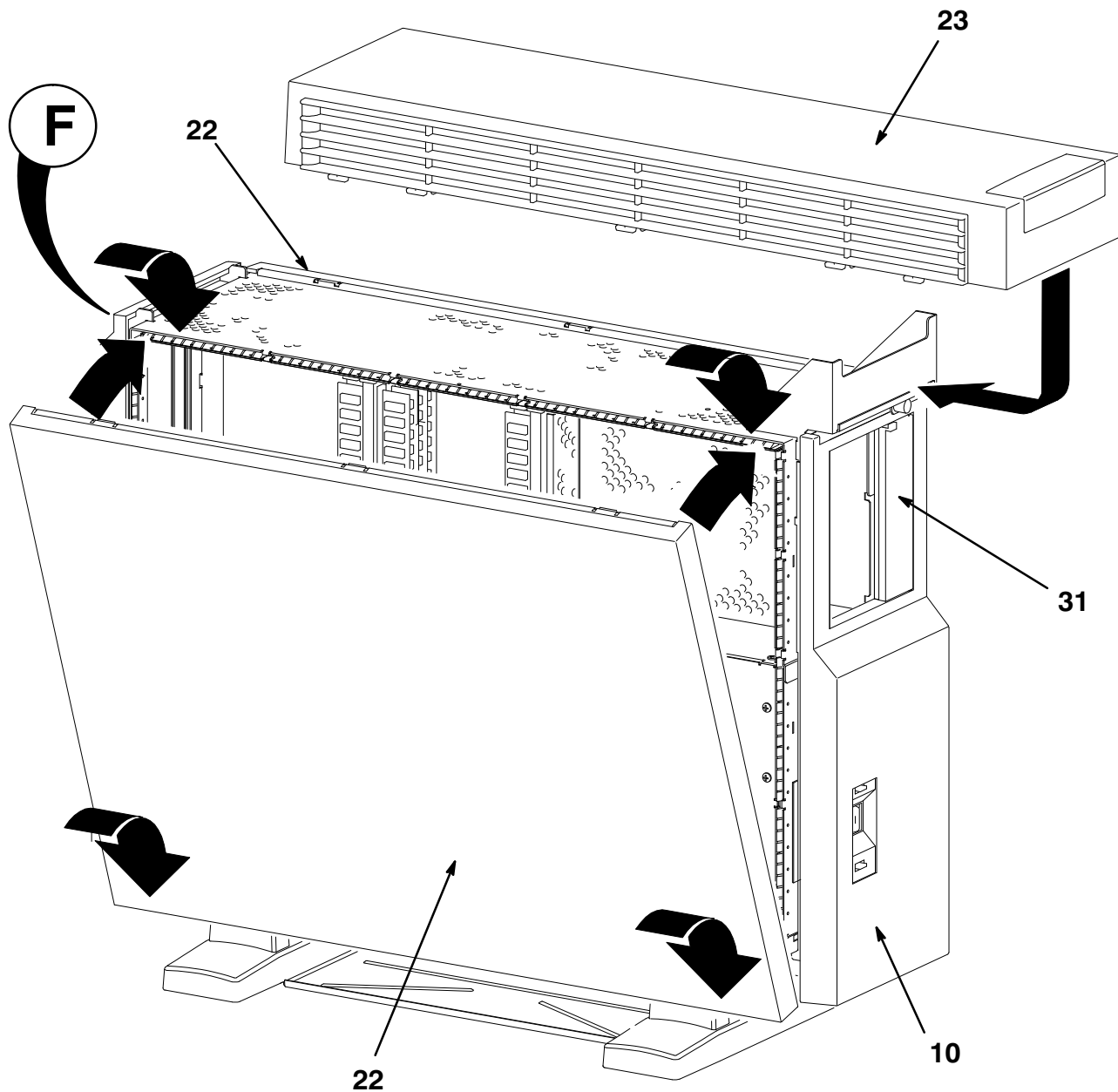
Figure 2A. Kernel Assembly, Model 800/800S (Sheet 5 of 10)



**F** REAR VIEW w/ BEZEL

PE52A-2E-IL

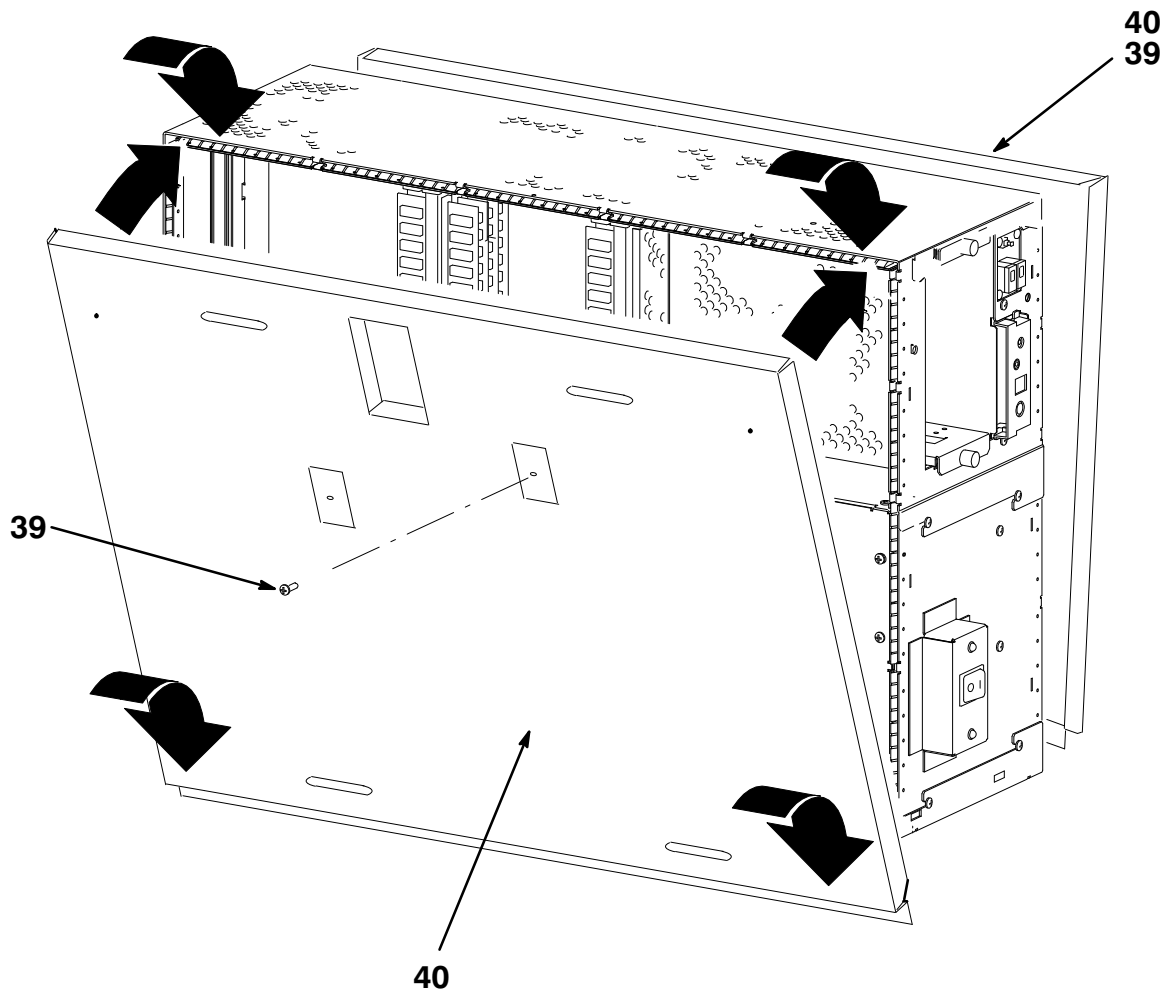
Figure 2A. Kernel Assembly, Model 800/800S (Sheet 6 of 10)



-A9 & -C9 VARIATION

PE52A-2F-IL

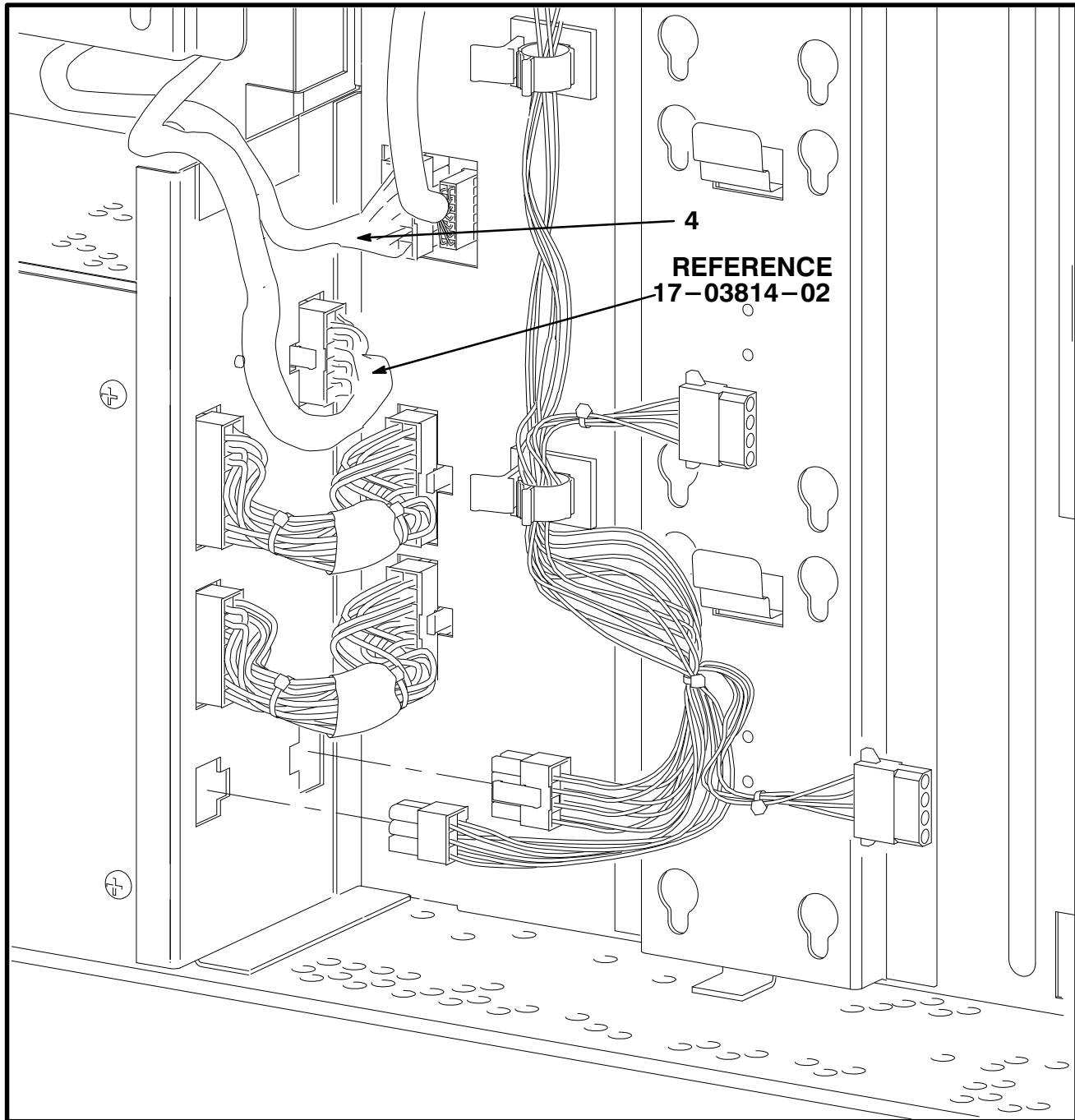
Figure 2A. Kernel Assembly, Model 800/800S (Sheet 7 of 10)



-B9 & -D9 VARIATION

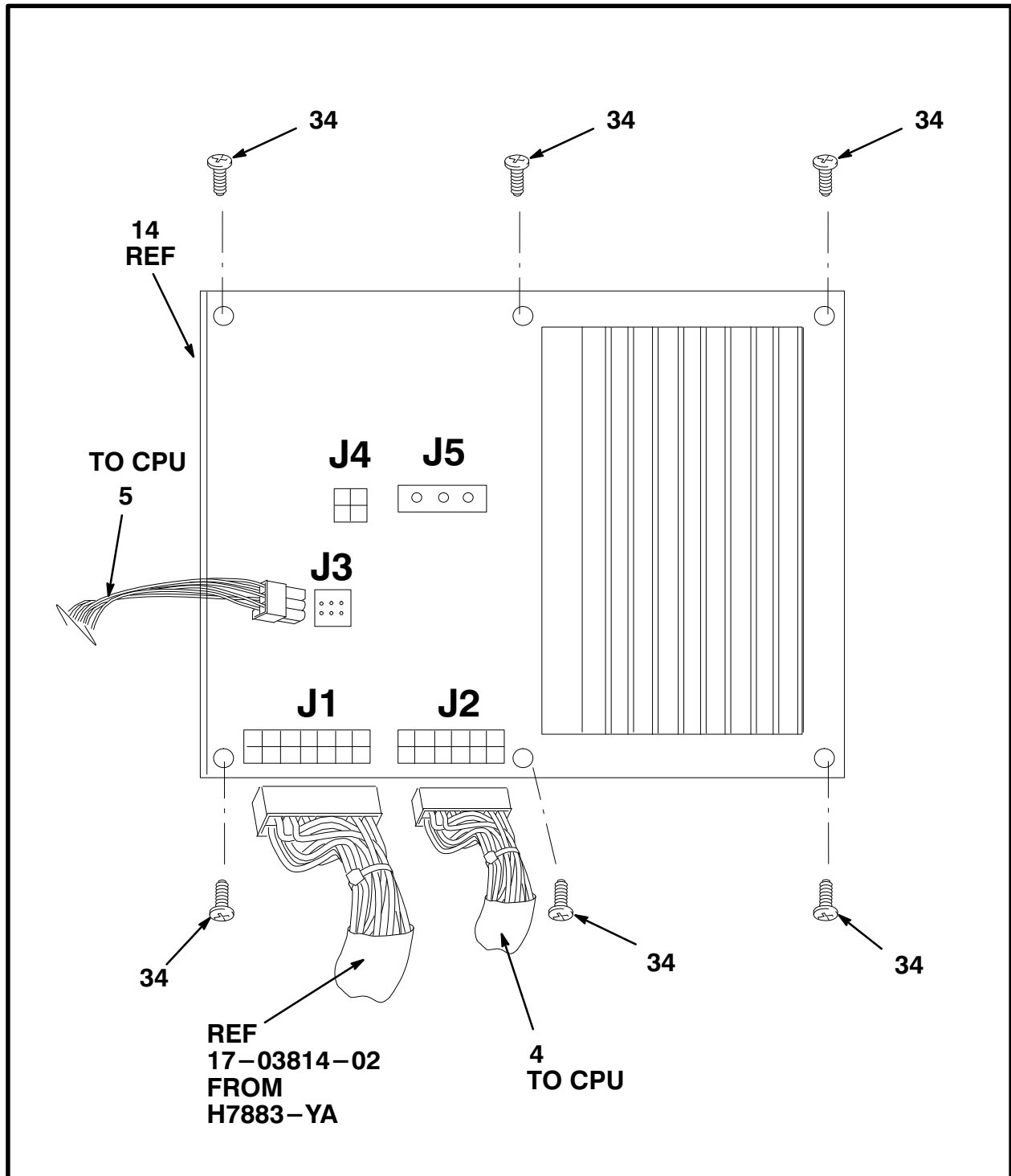
PE52A-2G-IL

Figure 2A. Kernel Assembly, Model 800/800S (Sheet 8 of 10)



PE52A-2J-IL

Figure 2A. Kernel Assembly, Model 800/800S (Sheet 9 of 10)



**J**

**CABLING TO REGULATOR BOARD**

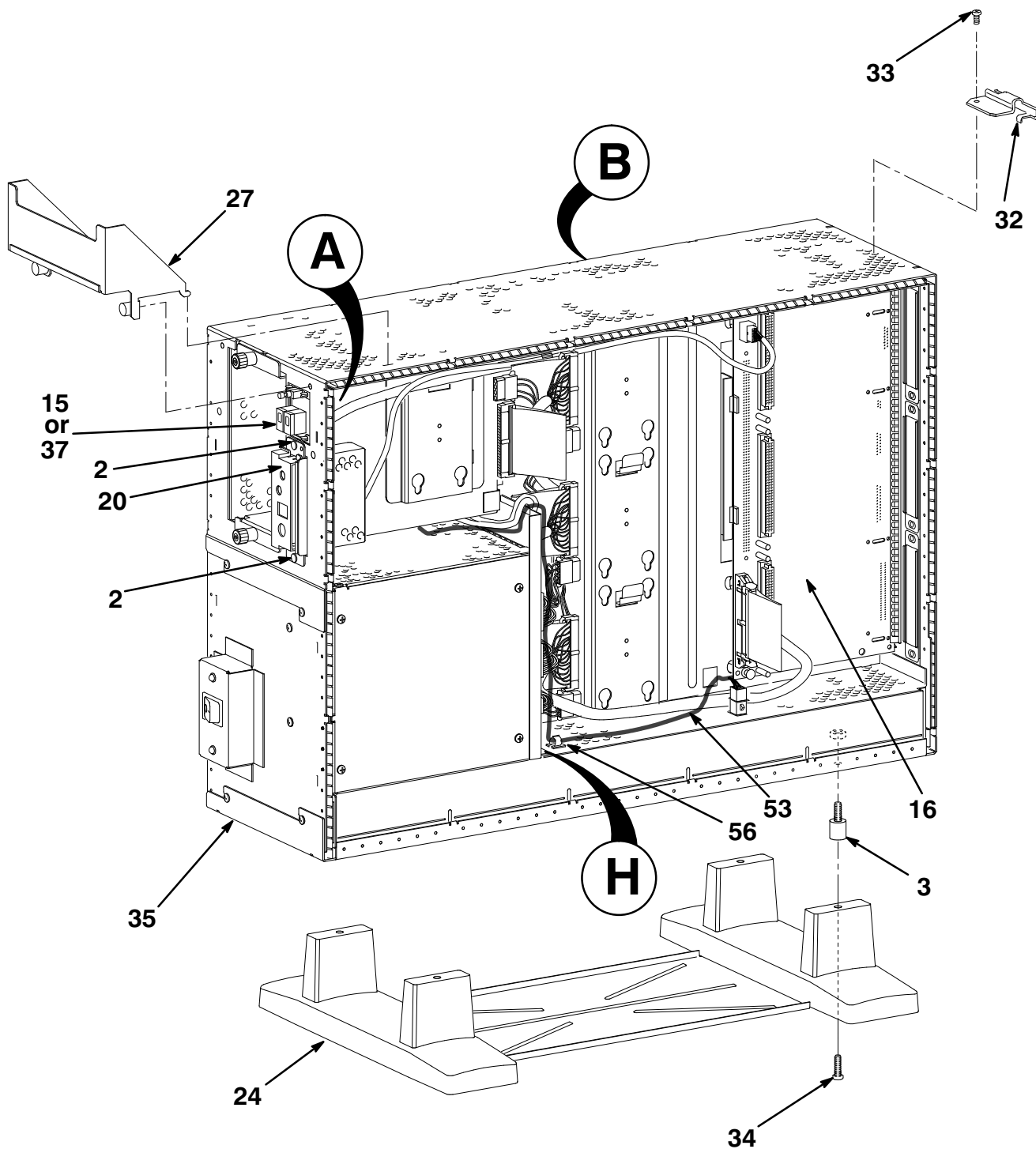
PE52A-2K-IL

Figure 2A. Kernel Assembly, Model 800/800S (Sheet 10 of 10)

FIG. & ITEM NO.	DESCRIPTION	DEC PART NO.	ECO CUT-IN PE52A 00001	USED ON CODE	REF FIG NO.
2A-	KERNEL ASSEMBLY, DEC 3000 MODEL 800/800S				1A
	Code A – KERNEL ASSEMBLY	PE52A-A9		A	
	Code B – KERNEL ASSEMBLY	PE52A-AA		B	
	Code C – KERNEL ASSEMBLY	PE52A-AB		C	
	Code D – KERNEL ASSEMBLY	PE52A-B9		D	
	Code E – KERNEL ASSEMBLY	PE52A-C9		E	
	Code F – KERNEL ASSEMBLY	PE52A-D9		F	
	Code G – KERNEL ASSEMBLY	PE52A-HA		G	
	Code H – KERNEL ASSEMBLY	PE52A-HB		H	
1	*Connector, SCSI Term 50 Position (Not Shown)	12-30552-01			
2	*Rivet, Removeable	12-36064-01			
3	*Mount, Shock	12-38682-01		ABCEGH	
4	*Wire Harness Assembly, 12 Cond	17-03320-03			
5	*Wire Harness Assembly, 2 Cond 6 Pos	17-03817-02			
6	*Label, Serial Number (Made in USA)	36-34565-38		A-DGH	
	*Label, Serial Number (Made in UK)	36-34565-39		A-DGH	
7	*Label, S/N DEC 3000 Model 800S, USA	36-34565-40		EF	
	*Label, S/N DEC 3000 Model 800S, USA	36-34565-41		EF	
8	*Label, Rear Connector	36-38245-02			
9	*Label, "Factory Installed Software" (Not Shown)	36-28979-01			
10	*Label, Regulatory EXT	36-38923-01		ABCEGH	
11	*Label, Regulatory INT	36-38923-02			
12	*Label, Austel Warning	36-39563-01			
13	*Package Assembly (Not Shown)	37-01313-01		ABCEGH	
14	*Module, Regulator (3.45V)	54-23203-01			
15	*Module, MMB	54-21141-01			
16	*Module, Lights & Switches Display	54-21145-02		ABCEGH	
17	*Module, DEC 3000 Model 800/800S I/O	54-21147-02			
18	*Module, DEC 3000 Model 800/800S CPU	54-23153-01			
19	*Kit, Accessory (Not Shown)	70-29566-04		A-DGH	
20	*Kit, Accessory (Not Shown)	70-29566-03		EF	
21	*AUDIO ASSEMBLY	70-29562-01		5	
22	*Panel, Side Assembly Pedestal	70-29563-01		ABCEGH	
23	*COVER ASSEMBLY, TOP	70-30266-01		ABCEGH	
23A	**Cover, Top Plastic	74-44073-01			
23B	**Lock, Key	12-36437-02			
23C	**Medallion	74-44618-01			
24	*Blank, Bulkhead Assembly PM300	74-41143-05			
25	*Pedestal	74-43811-01		ABCEGH	

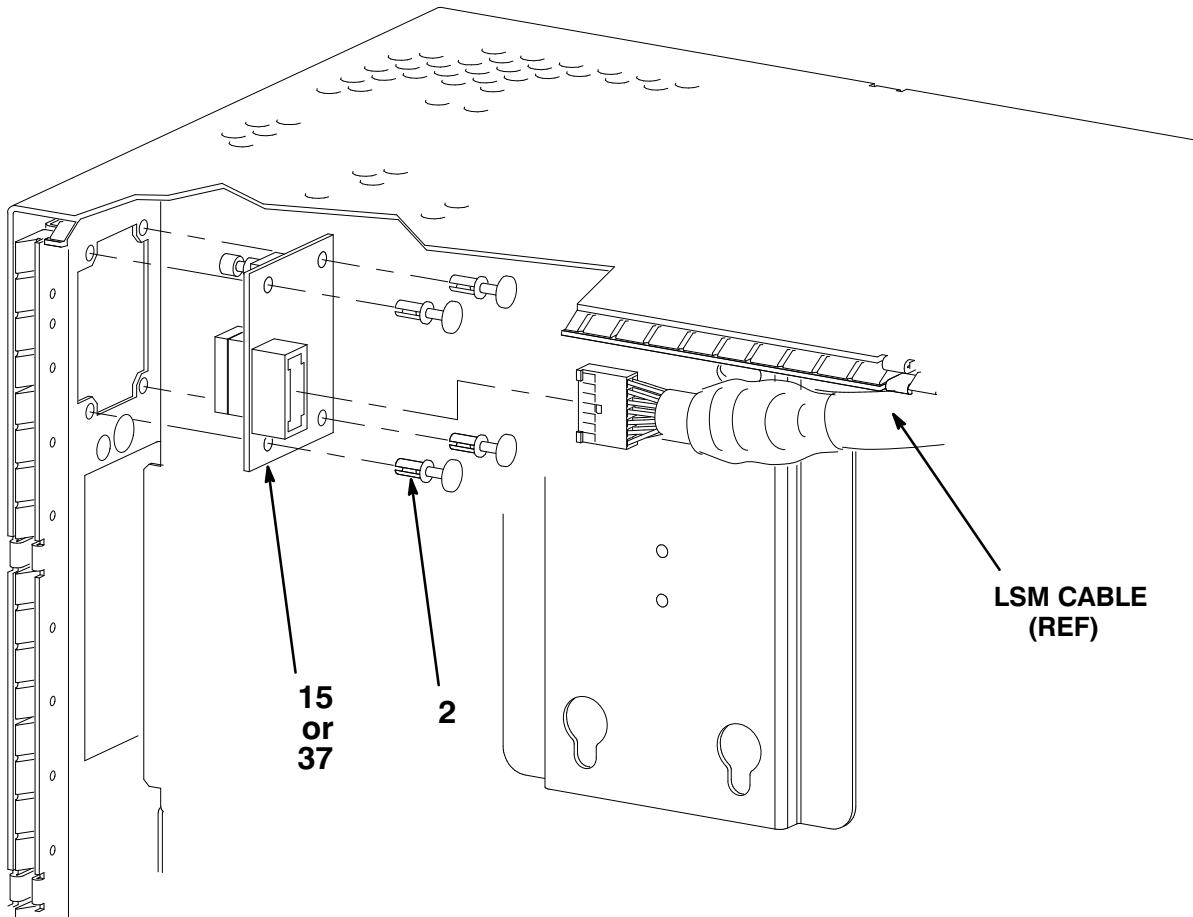
FIG. & ITEM NO.	DESCRIPTION	DEC PART NO.	ECO CUT-IN PE52A 00001	USED ON CODE	REF FIG NO.
2A-					
26	*Bezel, Front Pedestal	74-43830-01		ABCEGH	
27	*Bezel, Rear	74-44072-01		ABCEGH	
28	*Handle, Cover	74-44143-01		ABCEGH	
29	*Bezel, Removable Media	74-44487-02		ABCEGH	
30	*Light, Pipe	74-44619-01		ABCEGH	
31	*Door, LSM	74-44620-01		ABCEGH	
32	*Support, Module Spacer	74-45215-01			
33	*Bracket, Pawl Lock	74-45837-01		ABCEGH	
34	*Screw, Sems Pan Hd No. 6-32 x 1/4 Inch	90-00049-01			
35	*Screw, Sems No. 10-32 x 1/2 Inch Hex Slot	90-00049-45		ABCEGH	
36	*ENCLOSURE, RISC EV4 PEDESTAL/RACK SYS.	BA66-C9			3
37	*Package Assembly (Not Shown)	37-01348-03		DF	
38	*Module, Lights & Switches Display (Not Shown)	54-21145-01		DF	
39	*Screw, Sems Pan Hd No. 6-32 x .437	90-09984-02		DF	
40	*Panel, Side Assembly Rack	70-29564-01		DF	
41	*Grommet, Round Panel, Nylon	12-25627-09			
	(NOT SHOWN - See Note)				
42	*Module, 1/2/4/8 MB SIM Memory	54-21139-CA		BCGH	
43	*Module, 1/2/4/8 MB SIM Memory	54-21139-DA		BG	
44	*RZ28 2.1 GB SCSI Fixed Disk	RZ28-E		BCGH	
45	*Grommet, Rubber	12-31734-01		BCGH	
46	*RRD42 600 MB 5 CD-ROM (deleted)	RRD42-AA	PE521-000001		
47	*Kit,RRD42 Accessory (deleted)	70-28346-01			
48	*Screw, Mach M3 Pan Hd 6mm (deleted)	90-10961-02			
49	*Module, CX Turbo	54-21143-03		BG	
50	*Documentation, Smart Frame Buffer	EK-SFBOM-TC		BG	
51	*Cable Assembly, COAX	17-02906-01		CDGH	
52	*Documentation, Guide to Using VMS F.I.	EK-A0377-UG		GH	
53	*Documentation, OSF Factory Installed Software	EK-SFFIS-UG		BC	
54	*Label, CE Mark	36-36842-01			
55	*Drive, RRD43 600 MB CD-ROM (added)	RRD43-AA	PE521-00001	BCGH	
56	NOT USED				
57	*Module, Smart Frame Buffer Plus 8 Plane (added)	54-22861-01	PE521-00001	CH	
58	*Documentation, Smart Frame Buffer Owners (added)	EK-SMFBP-SG	PE521-00001	CH	
59	*Screw, Machine Pan Hd 5mm (added)	90-10981-01	PE521-00001	BCGH	
	NOTE: Refer to Figure 1A for Items 42-59.				





PE54A-02A-IL

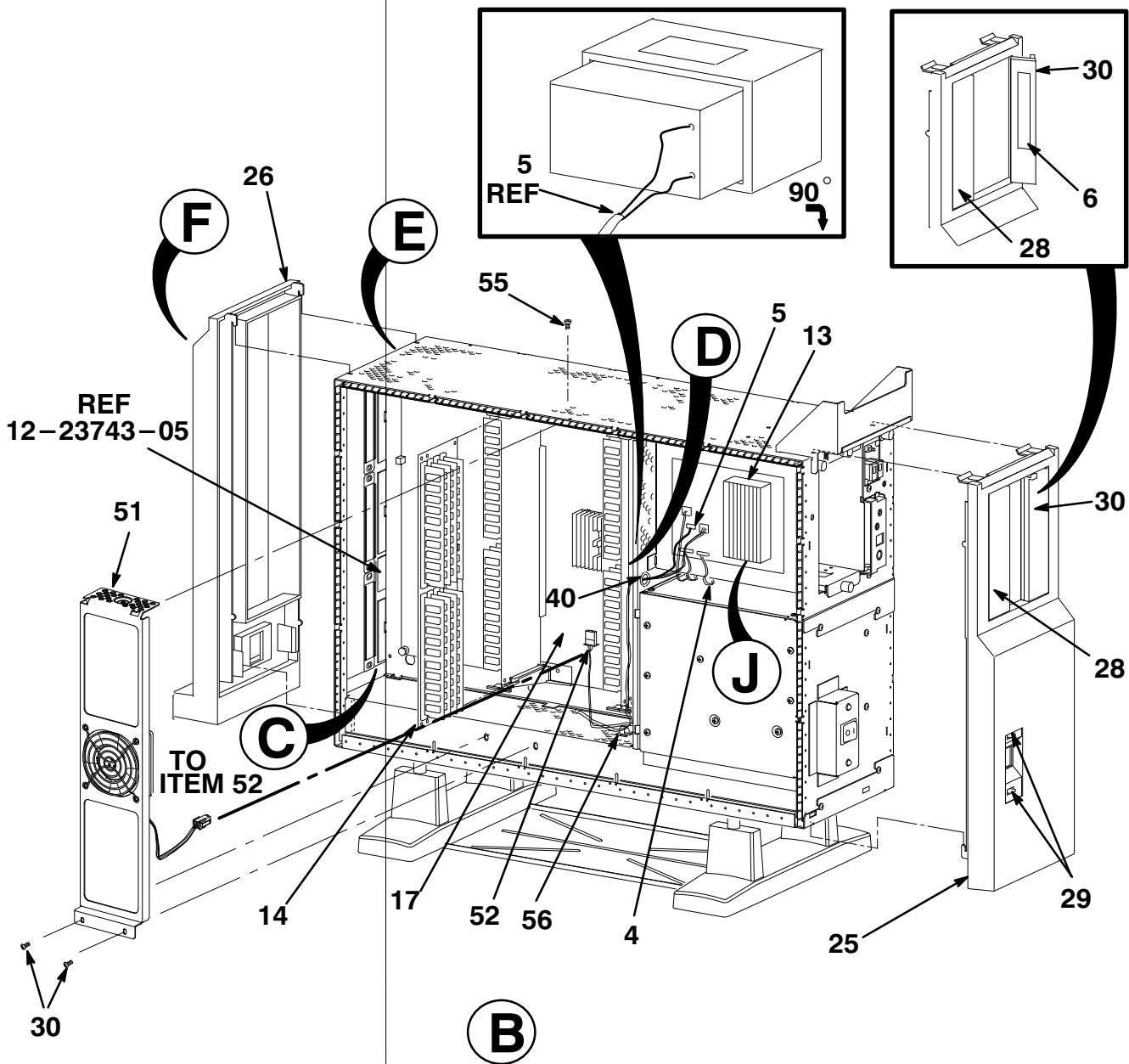
Figure 2B. Kernel Assembly – Model 900 (Sheet 1 of 10)



**A**

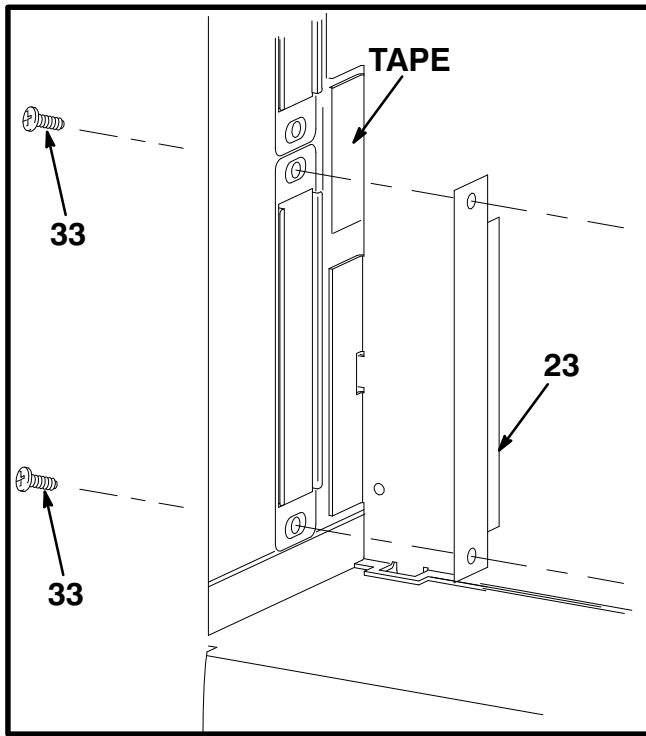
PE54A-02A-IL

**Figure 2B. Kernel Assembly – Model 900 (Sheet 2 of 10)**

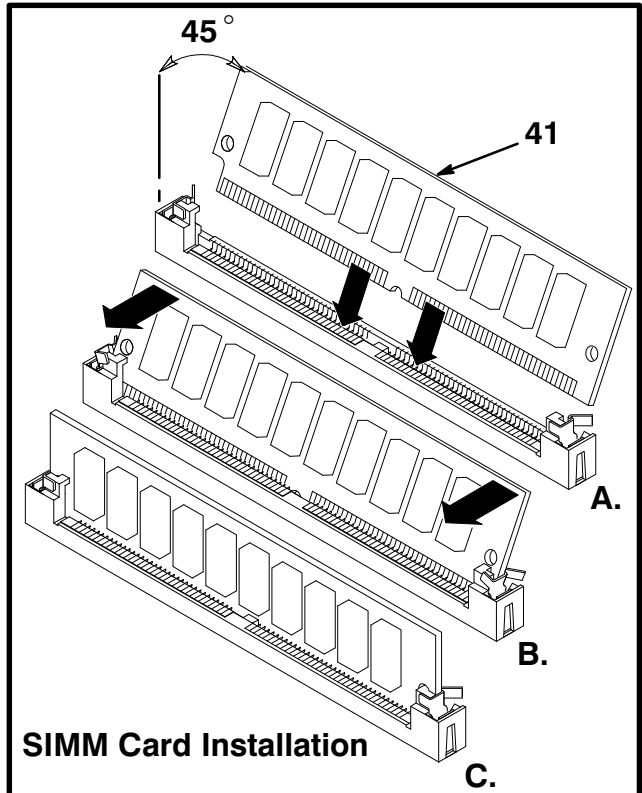


PE54A-2B-IL

Figure 2B. Kernel Assembly – Model 900 (Sheet 3 of 10)

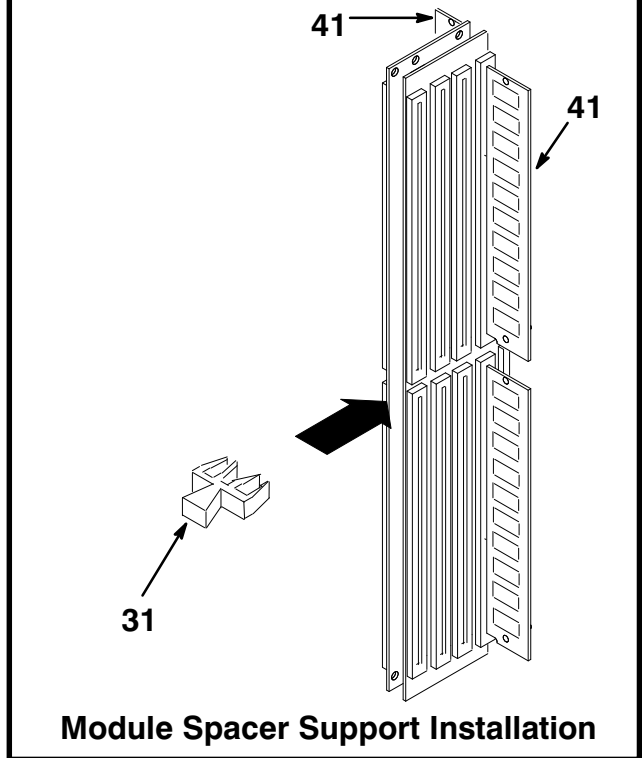


**C**



SIMM Card Installation

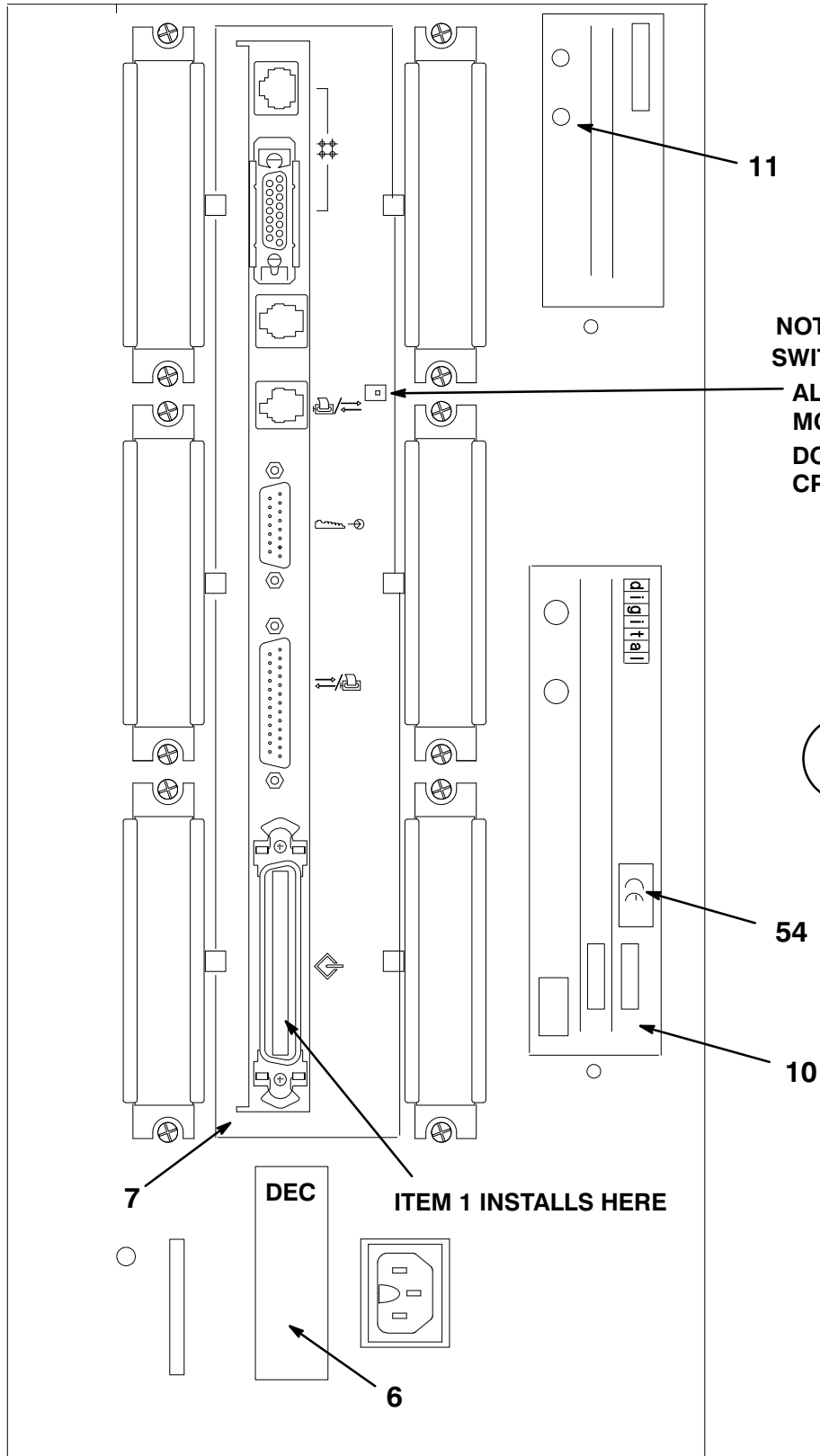
**D**



Module Spacer Support Installation

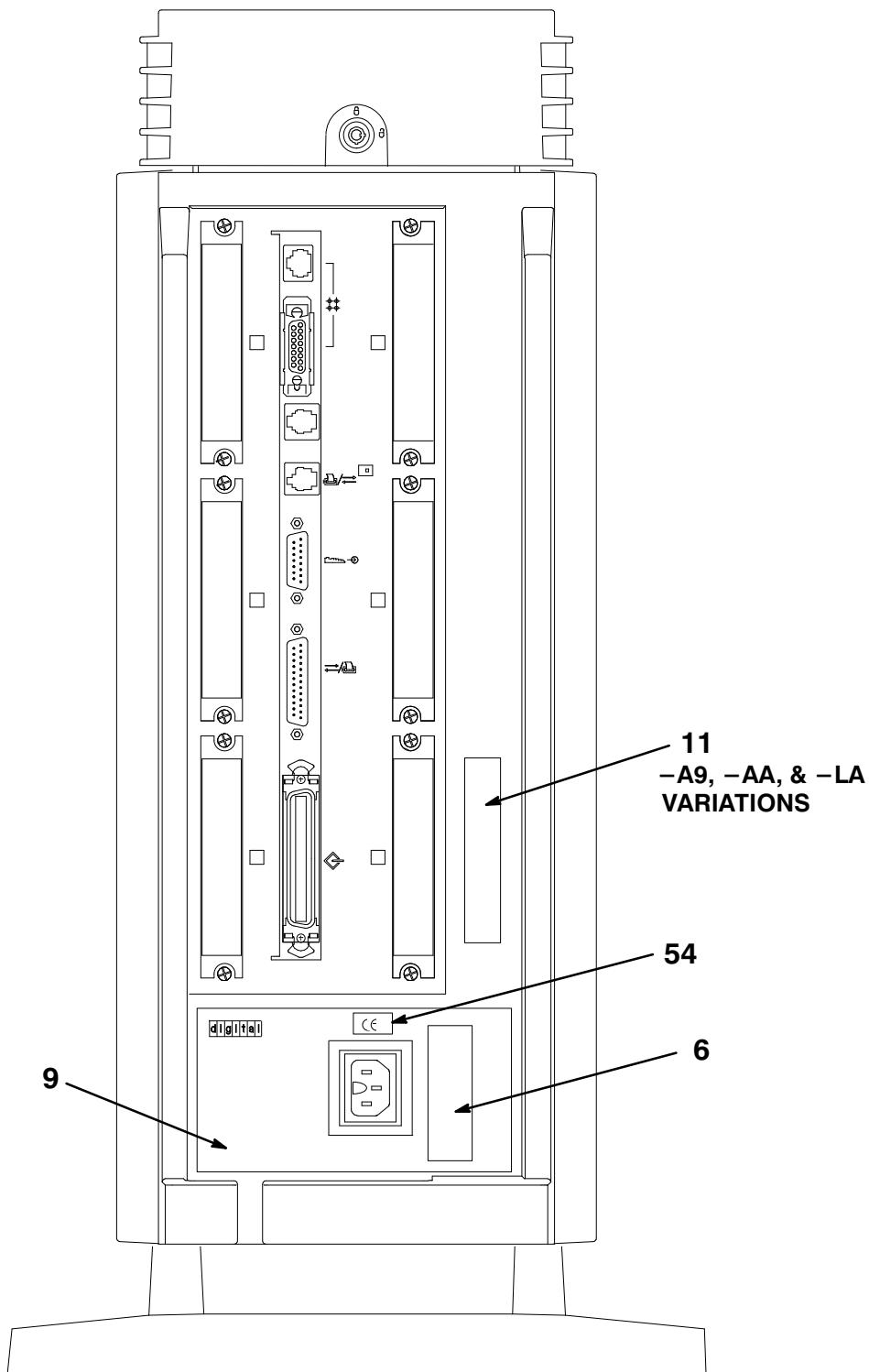
PE54A-2C-IL

Figure 2B. Kernel Assembly – Model 900 (Sheet 4 of 10)



**Figure 2B. Kernel Assembly (Sheet 5 of 10)**

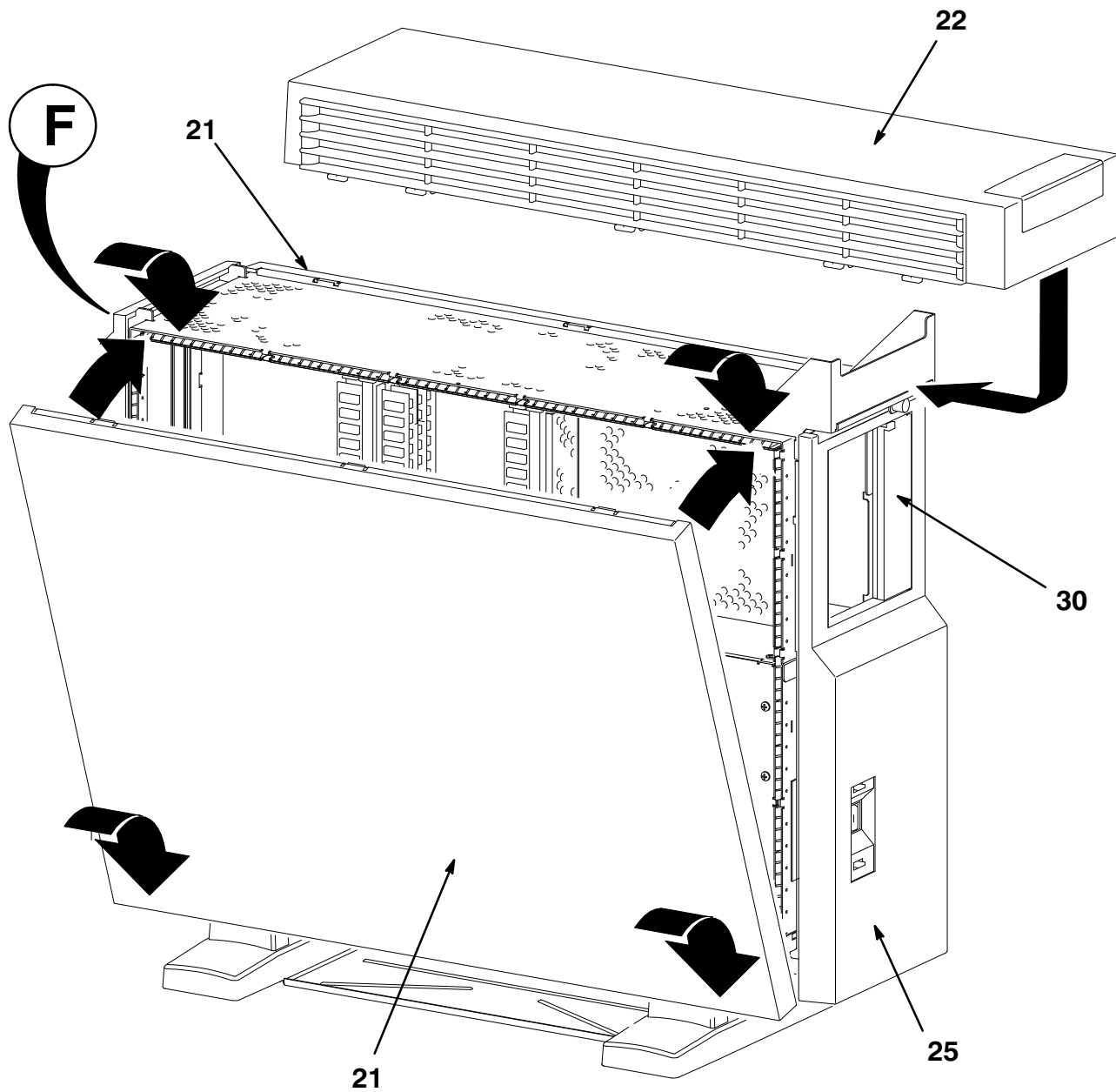
PE54A-2D-IL



**F** REAR VIEW w/ BEZEL

PE54A-2E-IL

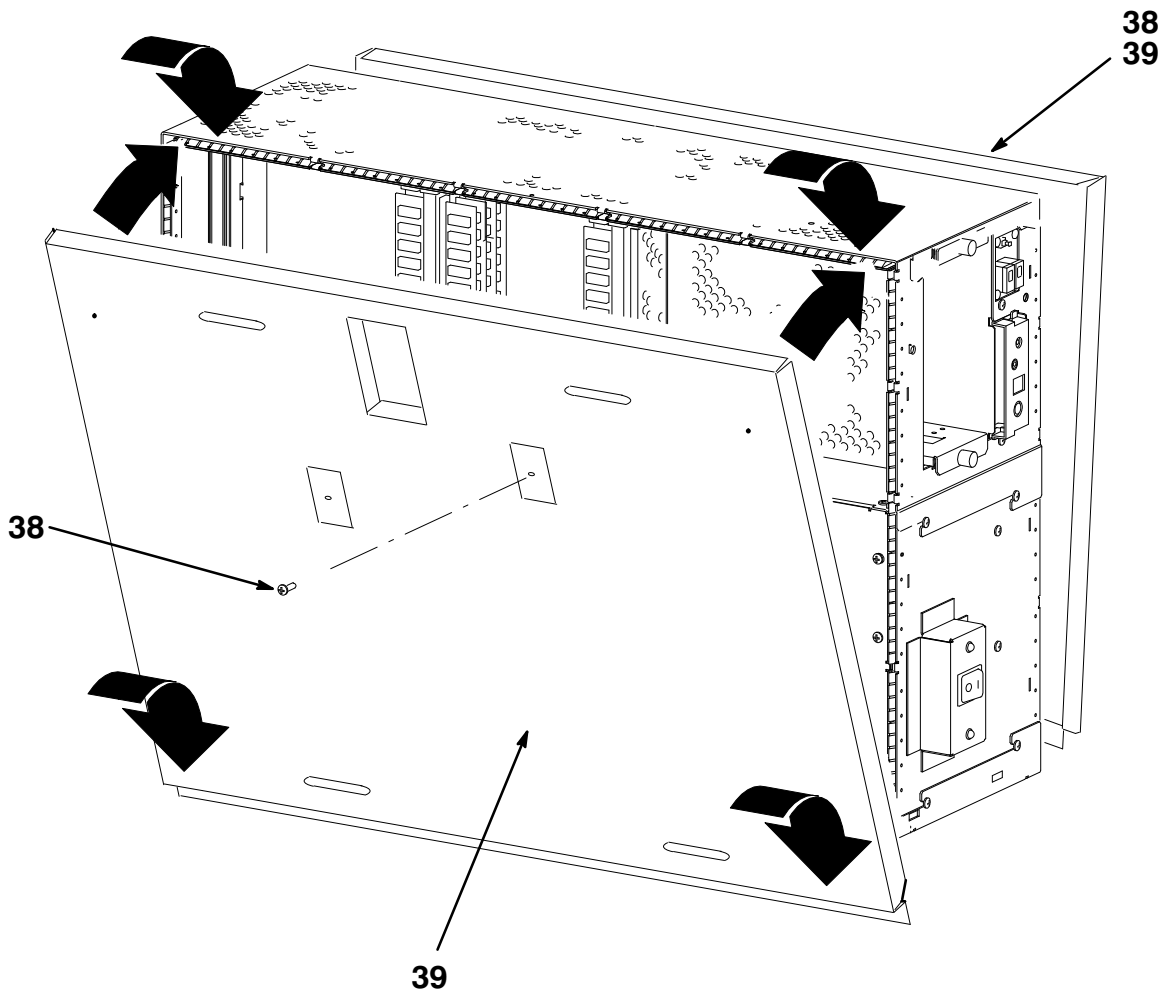
Figure 2B. Kernel Assembly – Model 900 (Sheet 6 of 10)



-A9, -AA, & -C9  
VARIATIONS

PE54A-2F-IL

Figure 2B. Kernel Assembly – Model 900 (Sheet 7 of 10)

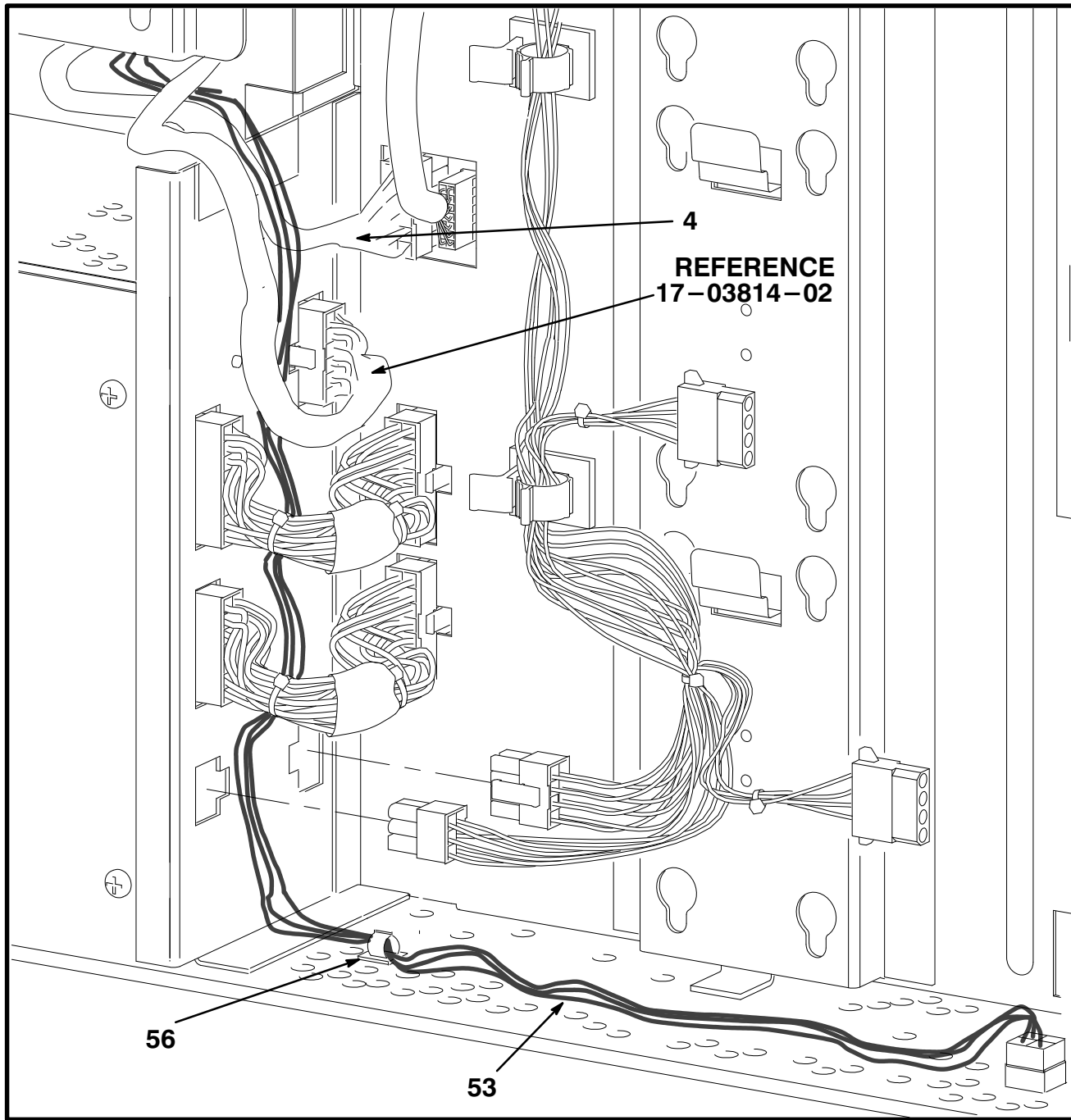


-B9 VARIATION

PE54A-2G-IL

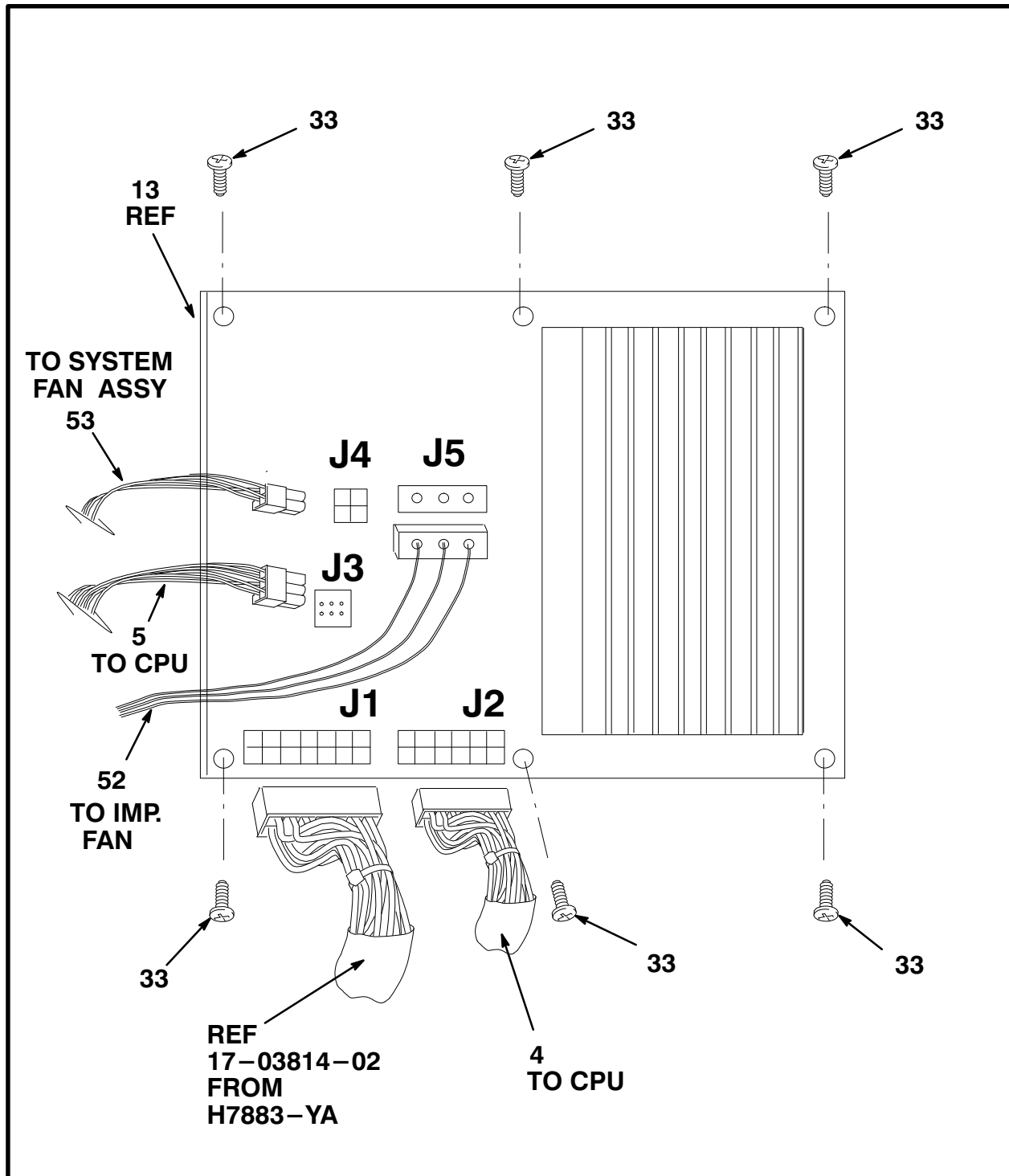
Figure 2B. Kernel Assembly, Model 900 (Sheet 8 of 10)





PE54A-2J-IL

Figure 2B. Kernel Assembly – Model 900 (Sheet 9 of 10)



**J**

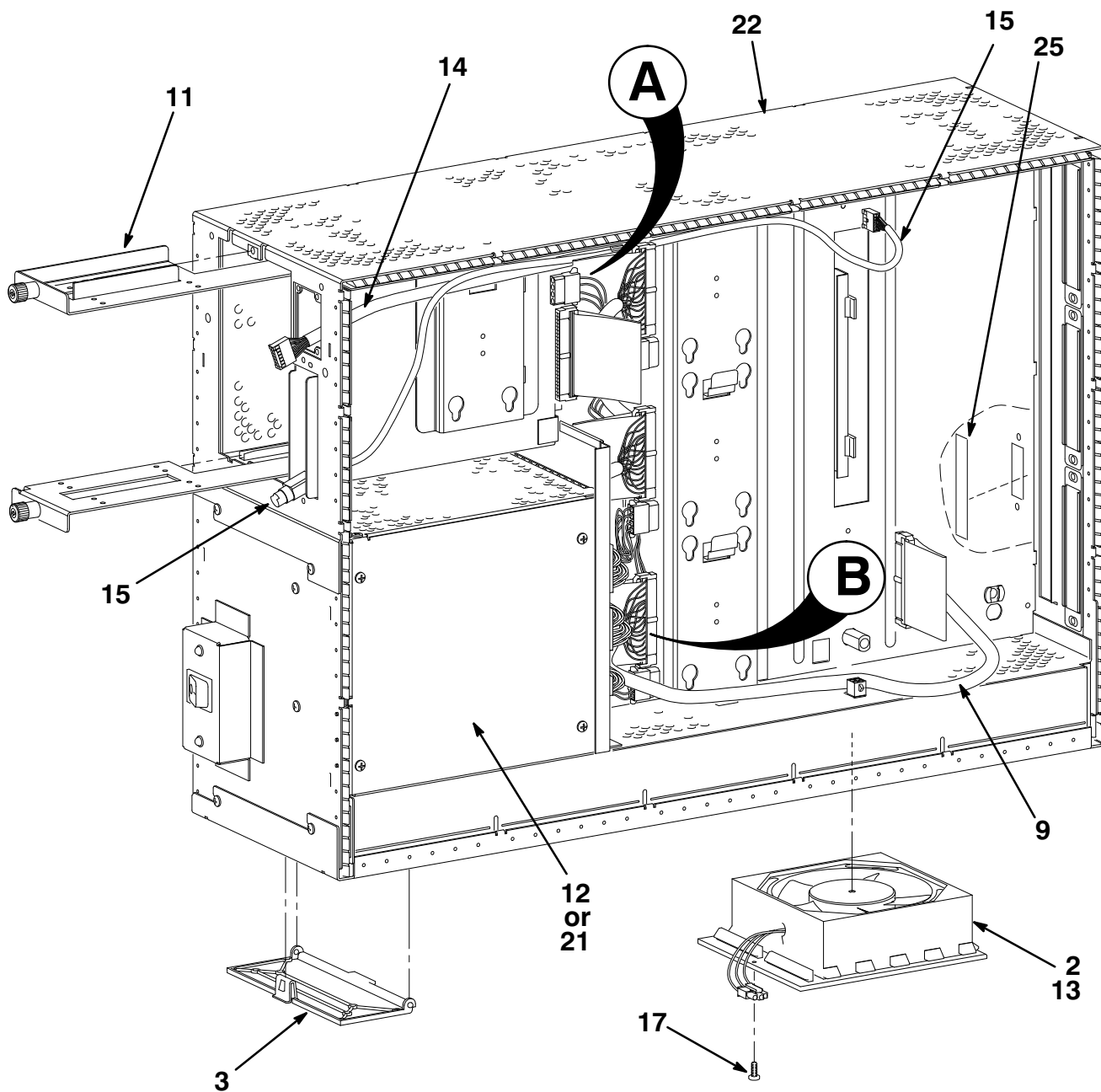
**CABLING TO REGULATOR BOARD**

PE54A-2K-IL

Figure 2B. Kernel Assembly – Model 900 (Sheet 10 of 10)

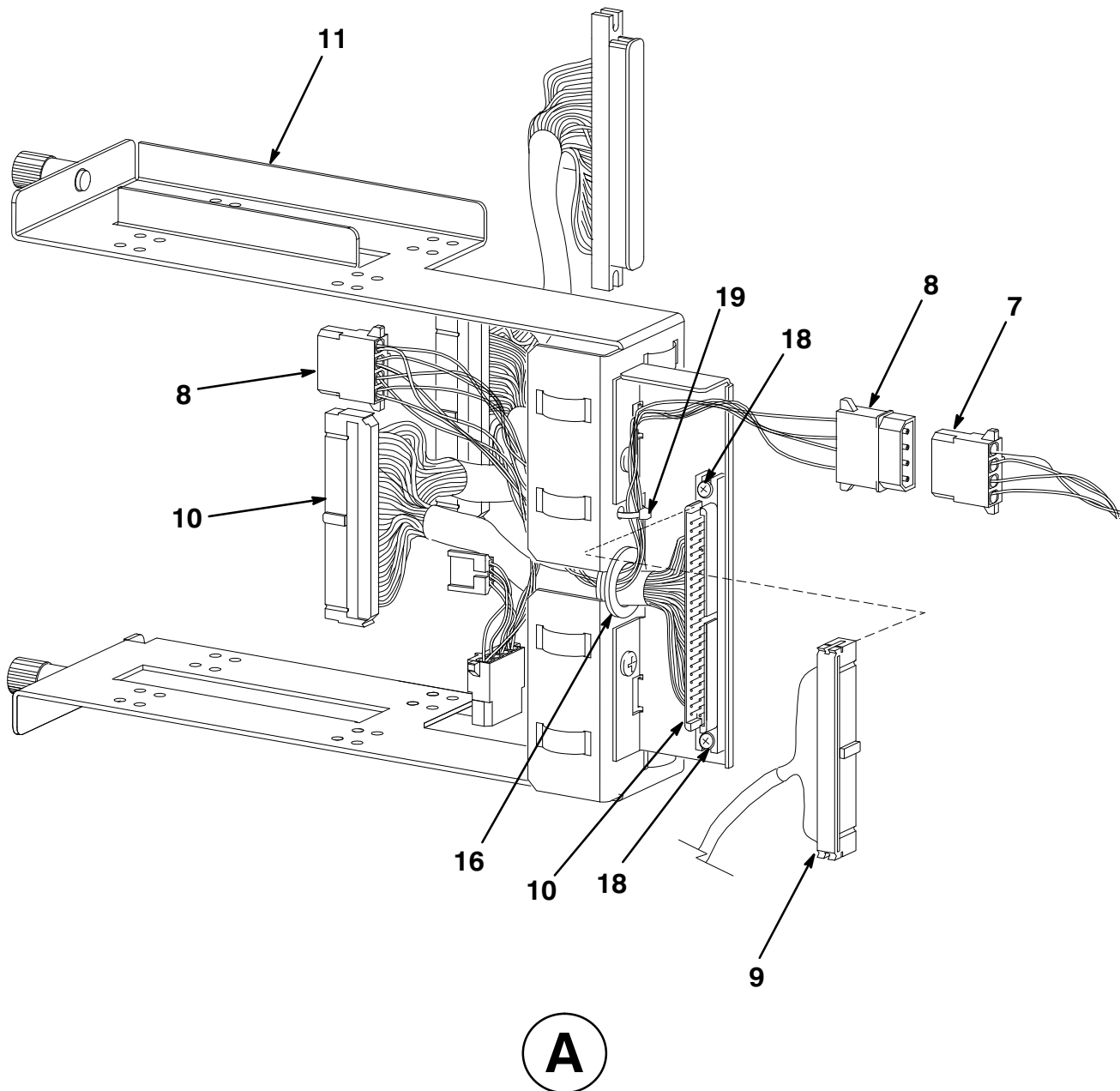
FIG. & ITEM NO.	DESCRIPTION	DEC PART NO. <sup>A</sup>	ECO CUT-IN PE54A 00000	USED ON CODE	REF FIG NO.
2B-	KERNEL ASSEMBLY, DEC 3000 – MODEL 900				1B
	Code A – KERNEL ASSEMBLY, DEC 3000/900	PE54A-A9		A	
	Code B – KERNEL ASSEMBLY, DEC 3000/900	PE54A-AA		B	
	Code C – KERNEL ASSEMBLY, DEC 3000/900	PE54A-B9		C	
	Code D – KERNEL ASSEMBLY, DEC 3000/900	PE54A-C9		D	
1	*Connector, SCSI Term 50 Position (Not Shown)	12-30552-01			
2	*Rivet, Removeable	12-36064-01			
3	*Mount, Shock	12-38682-01		ABD	
4	*Wire Harness Assembly, 12 Cond	17-03320-03			
5	*Wire Harness Assembly, 2 Cond 6 Pos	17-03817-02			
6	*Label, Serial Number, Model 900 (Made in USA)	36-34565-59			
	*Label, Serial Number, Model 900 (Made in UK)	36-34565-60			
7	*Label, Rear Connector	36-38245-02			
8	*Label, "Factory Installed Software" (Not Shown)	36-28979-01			
9	*Label, Regulatory EXT	36-38923-01		ABD	
10	*Label, Regulatory INT	36-38923-02			
11	*Label, Austel Warning	36-39563-01			
12	*Package Assembly (Not Shown)	37-01313-01		ABD	
13	*Module, Regulator (3.45V)	54-23203-01			
14	*Module, MMB	54-21141-01			
15	*Module, Lights & Switches Display	54-21145-02		ABD	
16	*Module, DEC 3000 Model 800/800S I/O	54-21147-02			
17	*Module, DEC 3000 Model 900 CPU	54-23153-01			
18	*Kit, Accessory (Not Shown)	70-29566-04		ABD	
19	*Kit, Accessory (Not Shown)	70-29566-03		C	
20	*AUDIO ASSEMBLY	70-29562-01			5
21	*Panel, Side Assembly Pedestal	70-29563-01		ABD	
22	*COVER ASSEMBLY, TOP	70-30266-01		ABD	
22A	**Cover, Top Plastic	74-44073-01			
22B	**Lock, Key	12-36437-02			
22C	**Medallion	74-44618-01			
23	*Blank, Bulkhead Assembly PM300	74-41143-05			
24	*Pedestal	74-43811-01		ABD	

FIG. & ITEM NO.	DESCRIPTION	DEC PART NO. <sup>A</sup>	ECO CUT-IN PE54A 00000	USED ON CODE	REF FIG NO.
2B-					
25	*Bezel, Front Pedestal	74-43830-01		ABD	
26	*Bezel, Rear	74-44072-01		ABD	
27	*Handle, Cover	74-44143-01		ABD	
28	*Bezel, Removable Media	74-44487-02		ABD	
29	*Light, Pipe	74-44619-01		ABD	
30	*Door, LSM	74-44620-01		ABD	
31	*Support, Module Spacer	74-45215-01			
32	*Bracket, Pawl Lock	74-45837-01		ABD	
33	*Screw, Sems Pan Hd No. 6-32 x 1/4 Inch	90-00049-01			
34	*Screw, Sems No. 10-32 x 1/2 Inch Hex Slot	90-00049-45		ABD	
35	*ENCLOSURE, RISC EV4 PEDESTAL/RACK SYS.	BA66-C9			3
36	*Package Assembly (Not Shown)	37-01348-03		C	
37	*Module, Lights & Switches Display (Not Shown)	54-21145-01		C	
38	*Screw, Sems Pan Hd No. 6-32 x .437	90-09984-02		C	
39	*Panel, Side Assembly Rack	70-29564-01		C	
40	*Grommet, Round Panel, Nylon	12-25627-09			
	(NOT SHOWN - See Note)				
41	*Module, 1/2/4/8 MB SIM Memory	54-21139-DA		BD	
42	*Drive, RZ28 2.1 GB SCSI Fixed Disk	RZ28-E		BD	
43	*Grommet, Rubber	12-31734-01		BD	
44	*RRD43 600 MB CD-ROM	RRD43-AA		BD	
45	*Screw, Machine Pan Hd 5mm	90-10981-01		BD	
46	*Module, Smart Frame Buffer Plus 8 Plane	54-22861-01		BD	
47	*Documentation, Smart Frame Buffer Owners	EK-SMFBP-SG		BD	
48	*Cable Assembly, COAX	17-02906-01		BD	
49	*Documentation, Guide to Using VMS F.I.	EK-A0377-UG		D	
50	*Documentation, OSF Factory Installed Software	EK-SFFIS-UG		B	
51	*Bracket Assembly, Fan	70-30888-01			
52	*Harness Assembly, Wire 3 Cond	17-03815-01			
53	*Harness Assembly, Wire 3 Cond	17-03816-02			
54	*Label, CE Mark	36-36842-01			
55	*Screw, Flat Hd Machine No. 8-32 x .500	90-06039-02			
56	*Clamp, Push-in Cable	12-37200-02			
	NOTE: Refer to Figure 1A for Items 42-48 for Kernel Packaged Systems.				



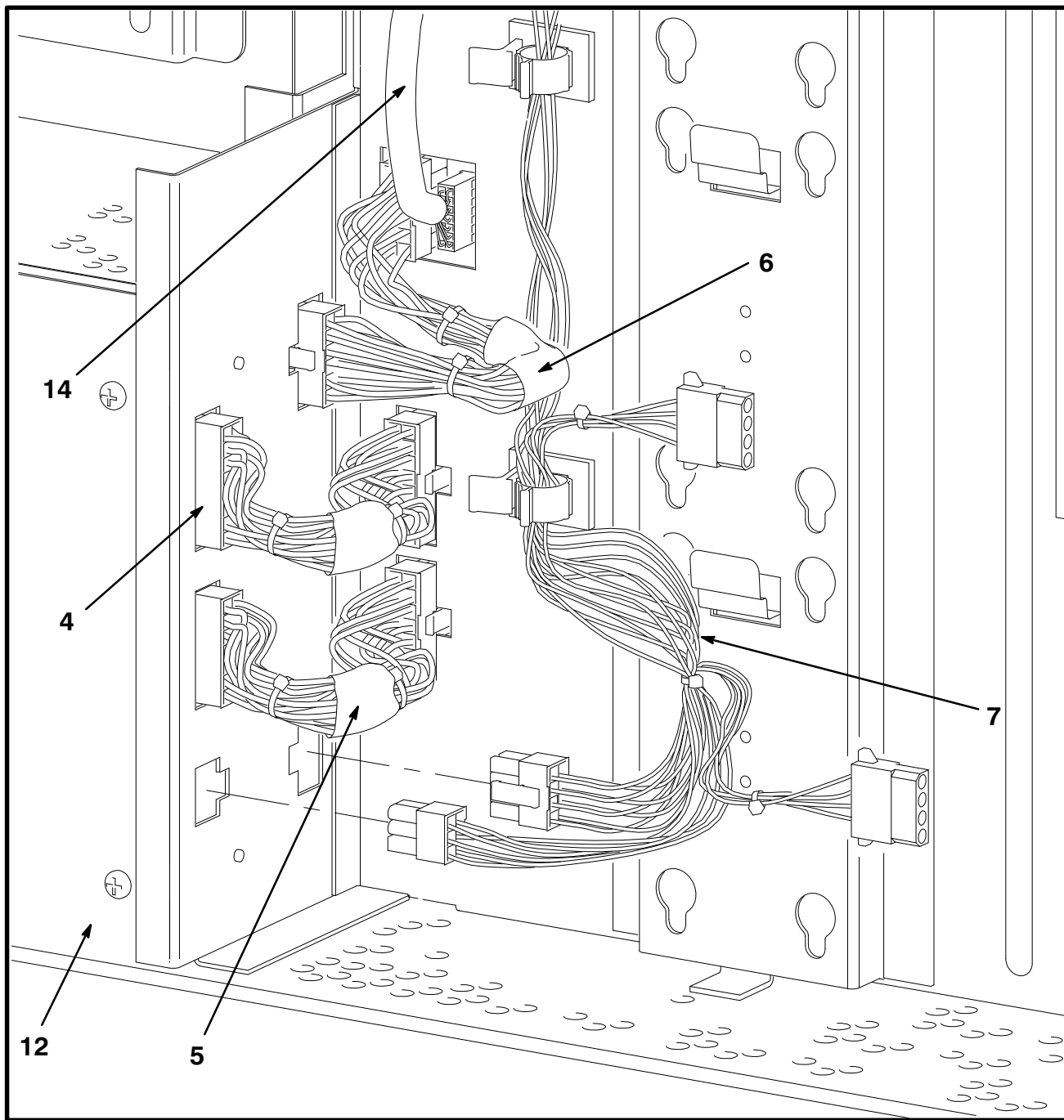
BA66-03-IL

Figure 3. Enclosure Assembly, BA66 (Sheet 1 of 5)



BA66-03A-IL

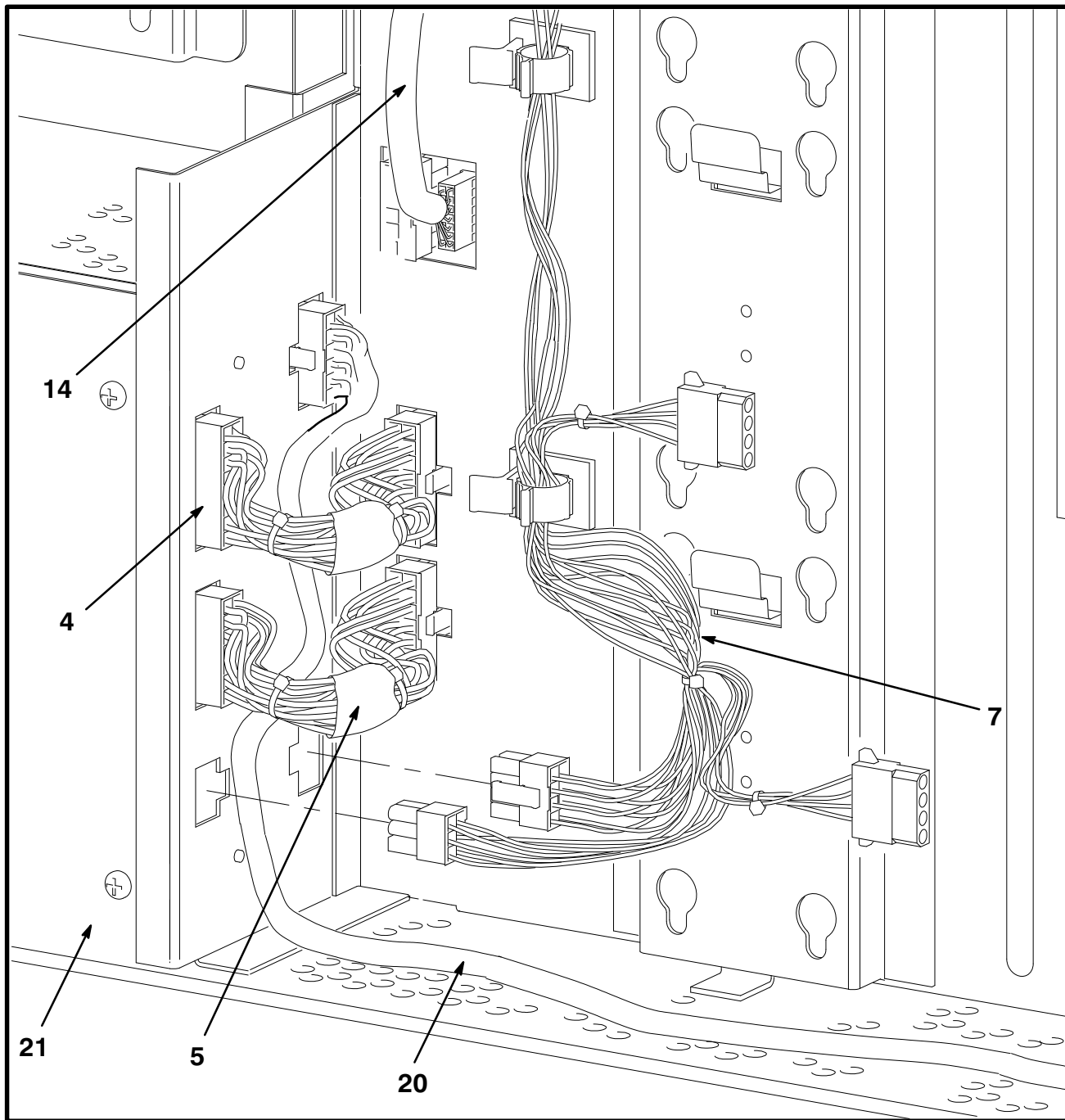
Figure 3. Enclosure Assembly, BA66 (Sheet 2 of 5)



**B** A9 VARIATION

BA66-03B-IL

Figure 3. Enclosure Assembly, BA66 (Sheet 3 of 5)

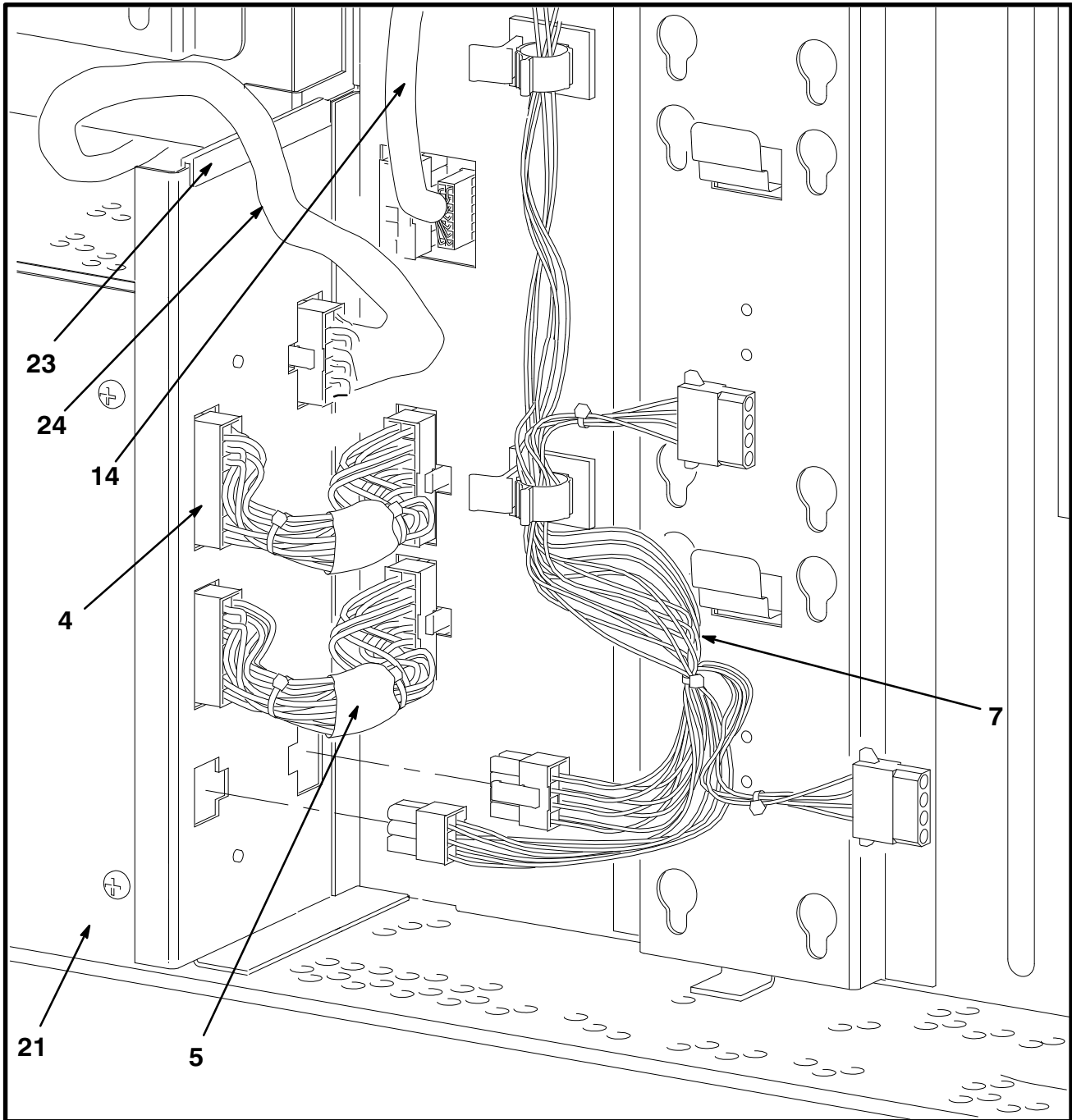


**B** B9 VARIATION

BA66-03C-IL

Figure 3. Enclosure Assembly, BA66 (Sheet 4 of 5)



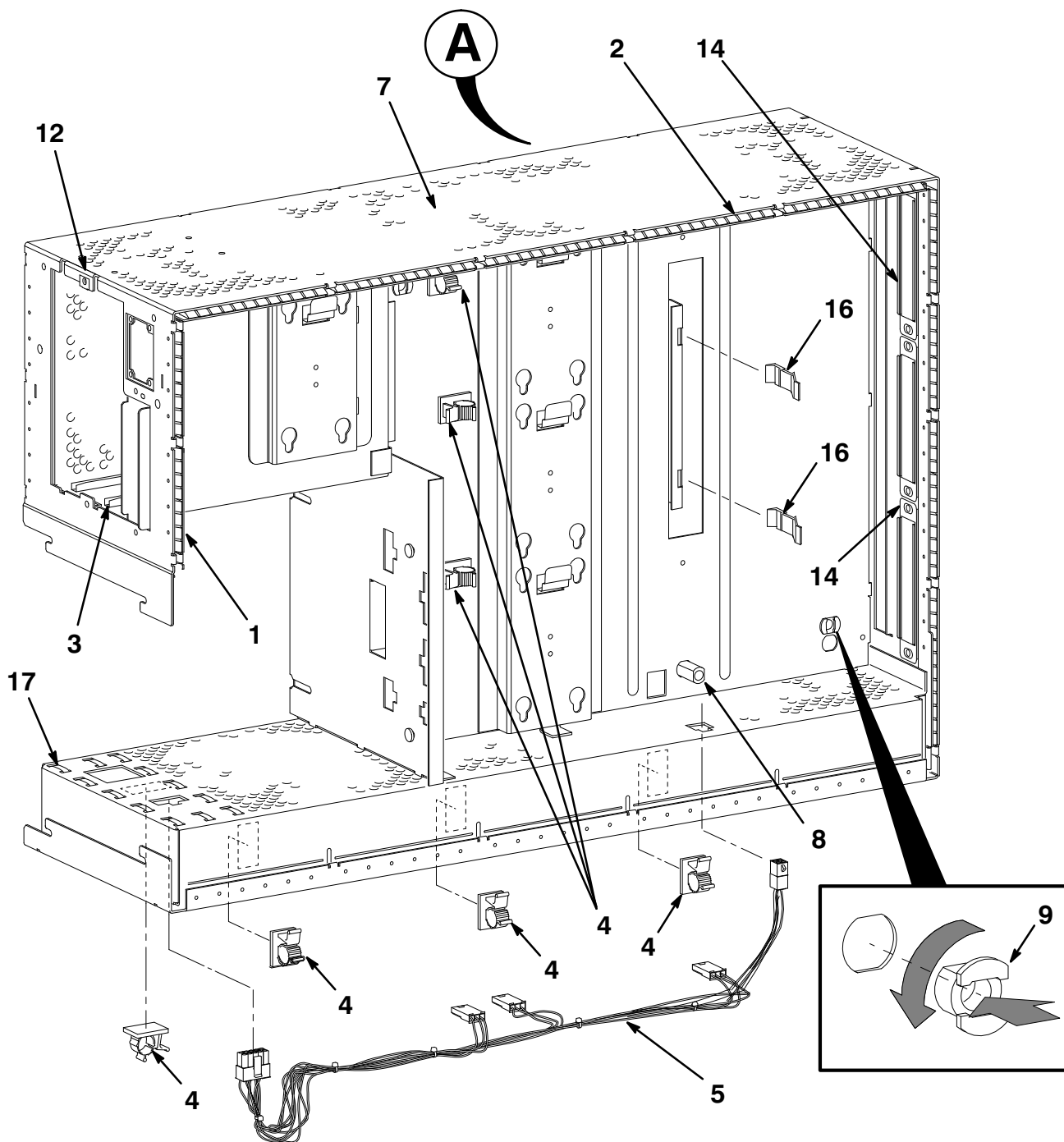


**B** C9 VARIATION

BA66-03D-IL

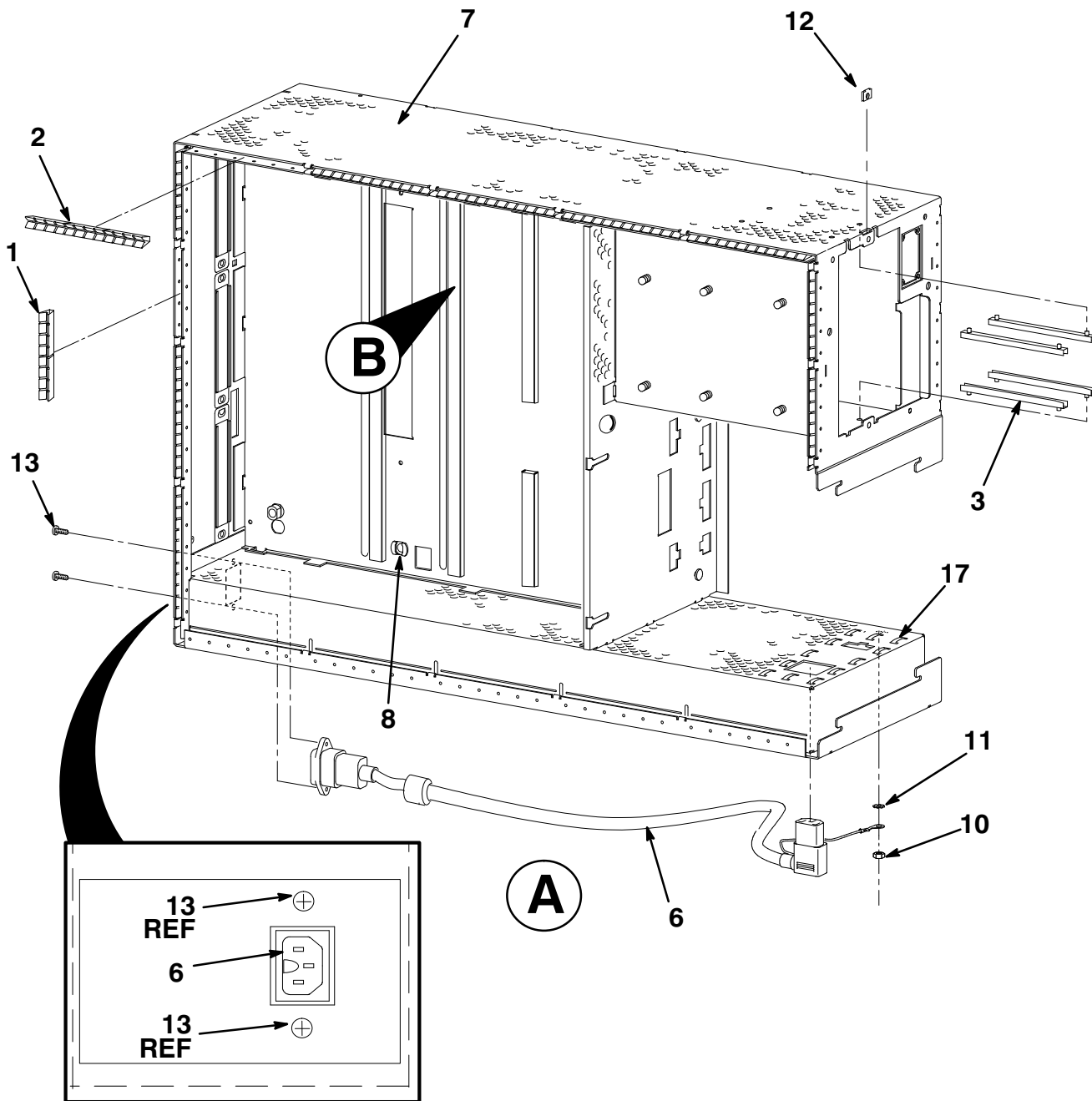
Figure 3. Enclosure Assembly, BA66 (Sheet 5 of 5)

FIG. & ITEM NO.	DESCRIPTION	DEC PART NO.	ECO CUT-IN BA66 00000	USED ON CODE	REF FIG NO.
3-	ENCLOSURE ASSEMBLY, BA66				
	Code A – ENCLOSURE ASSEMBLY, BA66	BA66-A9		A	2
	Code B – ENCLOSURE ASSEMBLY, BA66	BA66-B9		B	2
	Code C – ENCLOSURE ASSEMBLY, BA66	BA66-C9		C	2,2A 2B
	(Used on Code applies to this figure only.)				
1	*CHASSIS ASSEMBLY (Not Shown) (deleted)	70-29527-01	00001		4
2	*Boot, Fan	74-43810-01			
3	*Door, Access	74-44532-01			
4	*Cable Assembly, CPU Power 4 Inch 16 Pos.	17-03318-01			
5	*Cable Assembly, CPU Power I/O 14 Pos.	17-03319-01			
6	*Cable Assembly, CPU Power AUX 1 12 Cond.	17-03320-01		A	
7	*Cable Assembly, Hard Disk Power 20 Pos.	17-03316-01			
8	*Cable Assembly, Removeable Media 12 Pos.	17-03344-01			
9	*Cable Assy., Hard Disk SCSI Round 50 Cond.	17-03315-01			
10	*Cable Assy, Removable Media SCSI 50 Cond.	17-03314-01			
11	*Tray Weldment, Removable Media Device	70-29558-01			
12	*Power Supply, Univ. AC Input 490 W Output	H7883-AA		A	
13	*Fan Assembly, w/Guard Tube Axial 4-3/4 Inch	12-23609-12			
14	*Cable Assembly, LSM 14 Cond.	17-03501-01			
15	*Cable Assembly, Audio 8 Cond.	17-03502-01			
16	* Grommet, Nylon Round Panel	12-25627-09			
17	*Screw, Shld No. 6-32 x 25/64 Slot Hd	12-27886-01			
18	*Screw, Sems Pan Hd No. 4-40 x 3/8 Inch	90-09643-00			
19	*Tie, Cable Bundle	90-07031-00			
20	*Cable Assembly, 12 Cond 18 SKT (added)	17-03814-01	00001	B	
21	*Power Supply, Universal AC Input 561W Out (added)	H7883-YA	00001	B	
22	*CHASSIS ASSEMBLY (added)	70-29527-02	00001		4
23	*Grommet, Caterpillar 2.2 Inch Lng	12-25469-03	00003	C	
24	*Wire Harness Assembly,	17-03814-02	00003	C	
25	*Tape, Embossed CU, Adh. Backed	12-2374-05	00003	C	



PE500-04-IL

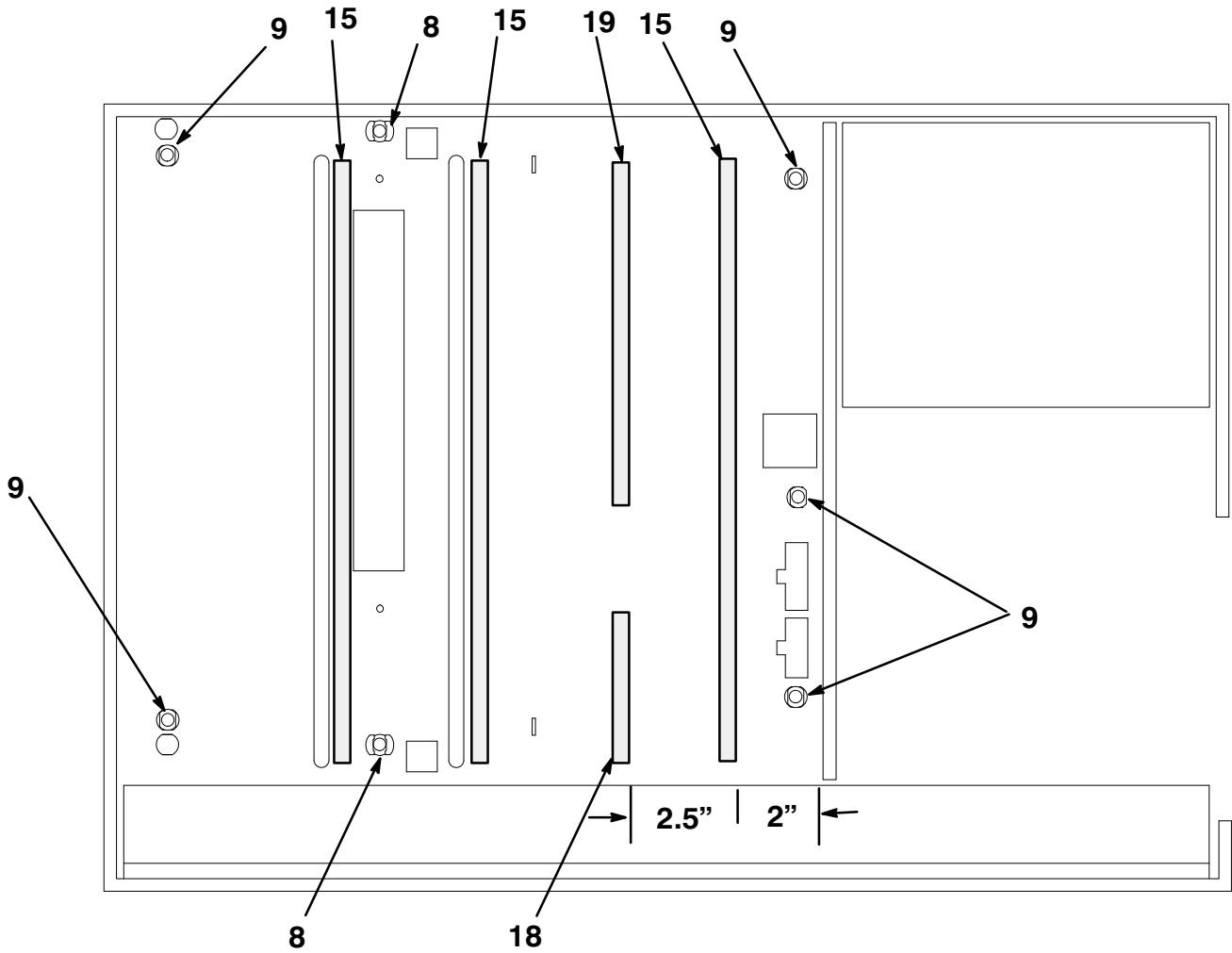
Figure 4. Chassis Assembly (Sheet 1 of 3)



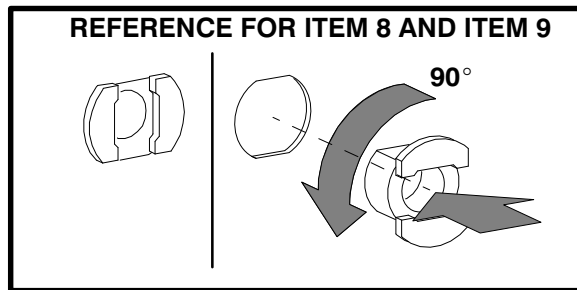
PE500-04A-IL

Figure 4. Chassis Assembly (Sheet 2 of 3)

LOCATIONS OF MODULE SUPPORTS AND FOAM PADS  
(VIEWED FROM CPU SIDE)



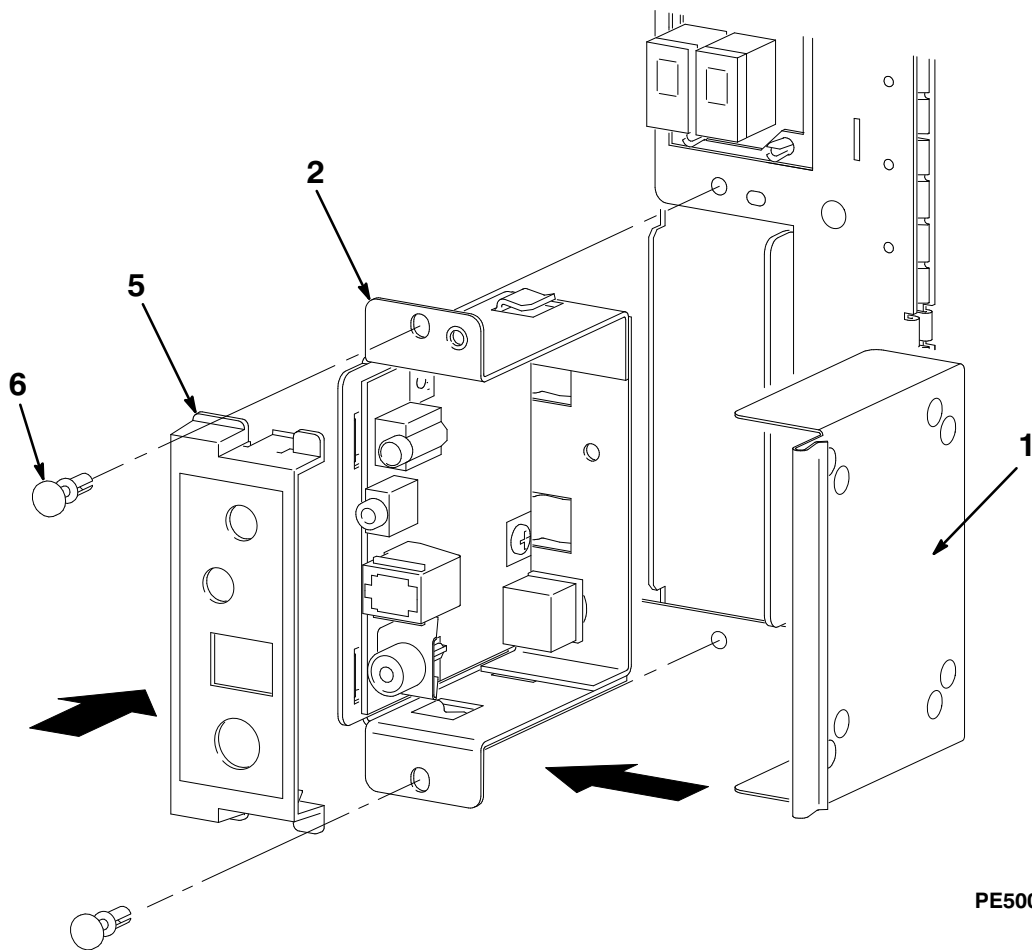
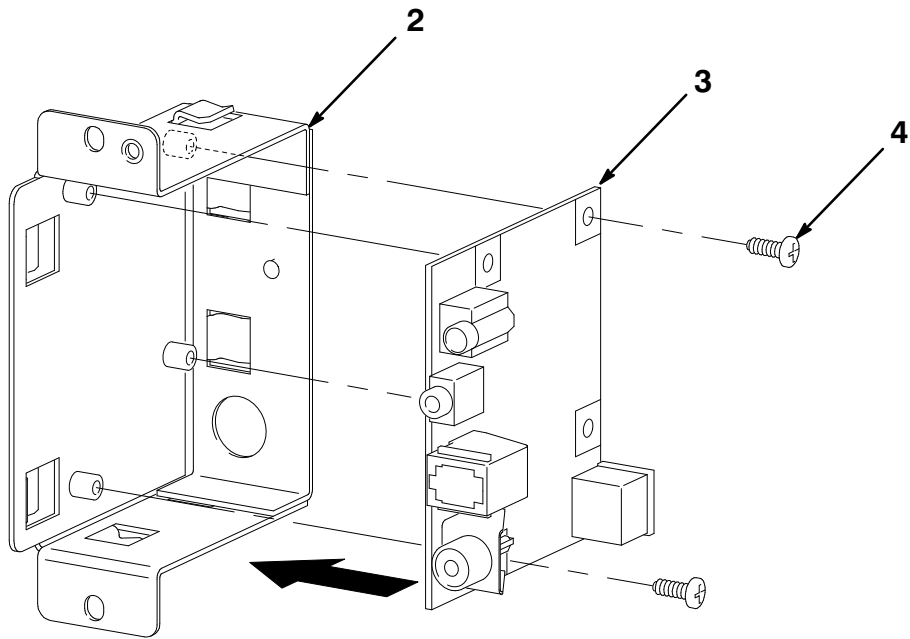
**B**



PE500-04B-IL

Figure 4. Chassis Assembly (Sheet 3 of 3)

FIG. & ITEM NO.	DESCRIPTION	DEC PART NO. <sup>D</sup>	ECO CUT-IN 7029527 00000	USED ON CODE	REF FIG NO.
4-	<b>CHASSIS ASSEMBLY</b> Code A – CHASSIS ASSEMBLY Code B – CHASSIS ASSEMBLY  (Used on Codes applies to this figure only.)	70-29527-01 70-29527-02		A B	3
1	*Fingerstock, EMI/RFI 3 Inch Clip-on	12-35995-02			
2	*Fingerstock, EMI/RFI 4 1/2 Inch Clip-on	12-35995-03			
3	*Guide, Card (4 Inch Nylon Snap-in)	12-36308-02			
4	*Clamp, Cable (Adhesive Back)	12-36915-02			
5	*Cable Assembly, Fan Power 9 Cond. 10 Pos.	17-03317-01			
6	*Cable Assembly, Internal Power (125V)	17-03395-01			
7	*Chassis Weldment	70-29455-01			
8	*Support, Module	74-43823-01			
9	*Support, Module	74-43823-02			
10	*Nut, Kep No 10-32 x 3/8 AF	90-06565-00			
11	*Washer, Lock External	90-07651-00			
12	*Nut, U -	90-06584-03			
13	*Screw, Thrl Pan Hd No. 8-16 x 3/8	90-09800-04			
14	*Gasket, TURBOchannel	74-44251-01			
15	*Pad, Foam 13-1/4L x 1/2W x 1/4Th, Adhesive	90-11275-01			
16	*Clip, I/O Module	74-45834-01			
17	*Fingerstock, Non-Snag for EOS	12-26922-01			
18	*Foam, Pad 5.00 L x 1/2 W x 1/4 T (added)	90-11275-07	00001	B	
19	*Foam, Pad 7.00 L x 1/2 W x 1/4 T (added)	90-11275-08	00001	B	

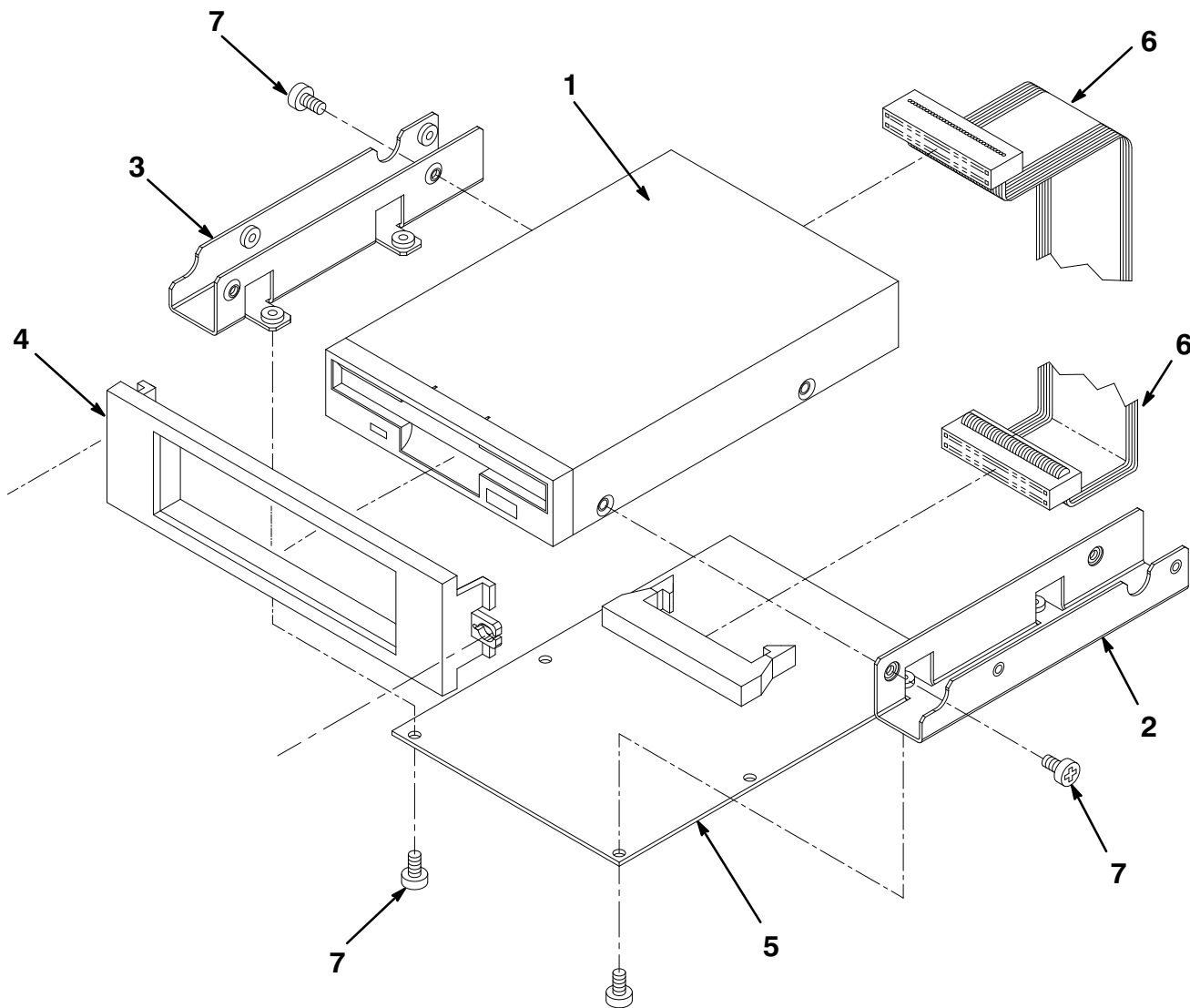


PE500-05-IL

Figure 5. Audio Assembly

FIG. & ITEM NO.	DESCRIPTION	DEC PART NO. <sup>A</sup>	ECO CUT-IN 70-29562 00000	USED ON CODE	REF FIG NO.
5-	AUDIO ASSEMBLY	70-29562-01			2,2A 2B
1	*Cover, Audio	74-44141-01			
2	*Box, Audio	74-44142-01			
3	*Module, Audio	54-21167-01			
4	*Screw, Sems Phi Pan Hd No. 6-32 x 1/4 XRCS	90-00049-01			
5	*Bezel, Audio	74-44649-01			
6	Rivet, Removable (See Note)	12-36064-01			
	NOTE: This item shown for reference only. See Figure 2.				





PE500-06-IL

Figure 6. RX26-FT Assembly for BA66 Enclosure

FIG. & ITEM NO.	DESCRIPTION	DEC PART NO. <sup>H</sup>	ECO CUT-IN RX26EN 00000	USED ON CODE	REF FIG NO.
6-	RX26-FT ASSEMBLY for BA66 ENCLOSURE	RX26-FT			1, 1A 1B
1	*RX26 Diskette Drive, 3.5 Inch 2.8 MB	RX26-AA			
2	*Bracket, Mounting for RX26	74-44254-01			
3	*Bracket, Mounting for RX26	74-44254-02			
4	*Bezel, Removable Media BA66	74-44487-01			
5	*Module, SCSI-FDI Controller	54-20764-02			
6	*Cable Assembly, Flat 34 Cond.	17-00285-00			
7	*Screw, Mach Pan Hd No. M3 x 6MM	90-10961-02			
	Items (Not Shown)				
	*Diskette, RX26 Extra Density Floppy	RX26K-01			
	*Label, "Index Micro Disk"	36-30069-01			
					Ω

**PART NUMBER/DESCRIPTION INDEX** 

**THIS PAGE INTENTIONALLY LEFT BLANK**

**INDEX BY DEC PART NUMBER**  
**DEC 3000 Models 500/800/900 SBB – PE500 SERIES**

PART NO.	DESCRIPTION	FIG NO.	ITEM NO.
12-21249-05	Clip, Cable (Adhesive Backed)	2	50
12-23609-12	Fan Assembly, w/Guard Tube Axial 4-3/4 Inch	3	13
12-23743-05	Tape, Embossed CU, Adh. Backed	3	25
12-25469-03	Grommet, Caterpillar 2.2 Inch Lng	3	23
12-25627-09	Grommet, Nylon Round Panel	3	16
12-25627-09	Grommet, Round Panel, Nylon	2A	41
12-25627-09	Grommet, Round Panel, Nylon	2B	40
12-26922-01	Fingerstock, Non-Snag for EOS	4	17
12-27886-01	Screw, Shld No. 6-32 x 25/64 Slot Hd	3	17
12-30552-01	Connector, SCSI Term 50 Pos Champ Hsg	2	23
12-30552-01	Connector, SCSI Term 50 Position	2A	1
12-30552-01	Connector, SCSI Term 50 Position (Not Shown)	2B	1
12-30934-01	Screw, Sems Phi Pan Hd No. 6-32 x 1/4	2	47
12-31734-01	Grommet, Rubber	2A	45
12-31734-01	Grommet, Rubber	2B	43
12-35995-02	Fingerstock, EMI/RFI 3 Inch Clip-on	4	1
12-35995-03	Fingerstock, EMI/RFI 4 1/2 Inch Clip-on	4	2
12-36064-01	Rivet, Removable	2	27
12-36064-01	Rivet, Removable	2A	2
12-36064-01	Rivet, Removable	5	6
12-36064-01	Rivet, Removeable	2B	2
12-36308-02	Guide, Card (4 Inch Nylon Snap-in)	4	3
12-36437-02	Lock, Key	2	12B
12-36437-02	Lock, Key	2A	23B
12-36437-02	Lock, Key	2B	22B
12-36915-02	Clamp, Cable (Adhesive Back)	4	4
12-37200-02	Clamp, Push-in Cable	2B	56
12-38682-01	Mount, Shock	2	21
12-38682-01	Mount, Shock	2A	3
12-38682-01	Mount, Shock	2B	3
17-00083-42	Cord, Power 3-18 SJT (for 120V System only)	1A	6
17-00083-42	Cord, Power Term 3-18 SJT (Not Shown)	1	6
17-00285-00	Cable Assembly, Flat 34 Cond.	6	6
17-02906-01	Cable Assembly, COAX	2A	51
17-02906-01	Cable Assembly, COAX	2B	48
17-03314-01	Cable Assembly, Removable Media SCSI 50 Cond.	3	10
17-03315-01	Cable Assembly, Hard Disk SCSI Round 50 Cond.	3	9
17-03316-01	Cable Assembly, Hard Disk Power 20 Pos.	3	7
17-03317-01	Cable Assembly, Fan Power 9 Cond. 10 Pos.	4	5
17-03318-01	Cable Assembly, CPU Power 4 Inch 16 Pos.	3	4
17-03319-01	Cable Assembly, CPU Power I/O 14 Pos.	3	5
17-03320-01	Cable Assembly, CPU Power AUX 1 12 Cond.	3	6
17-03320-02	Cable Assembly, Regulator to CPU (J2-15)	2	41
17-03320-03	Wire Harness Assembly, 12 Cond	2A	4
17-03320-03	Wire Harness Assembly, 12 Cond	2B	4
17-03344-01	Cable Assembly, Removeable Media 12 Pos.	3	8
17-03395-01	Cable Assembly, Internal Power (125V)	4	6
17-03501-01	Cable Assembly, LSM 14 Cond.	3	14
17-03502-01	Cable Assembly, Audio 8 Cond.	3	15
17-03814-01	Cable Assembly, 12 Cond 18 SKT (added)	3	20
17-03814-02	Wire Harness Assembly,	3	24
17-03815-01	Cable Assembly, Regulator to Imping. Fan (J5-J1)	2	44
17-03815-01	Harness Assembly, Wire 3 Cond	2B	52
17-03816-01	Cable Assembly, Regulator to Fan (J4-J4)	2	43

**INDEX BY DEC PART NUMBER**  
**DEC 3000 Models 500/800/900 SBB – PE500 SERIES**

PART NO.	DESCRIPTION	FIG NO.	ITEM NO.
17-03816-02	Harness Assembly, Wire 3 Cond	2B	53
17-03817-01	Cable Assembly, Regulator to CPU (J3-19)	2	42
17-03817-02	Wire Harness Assembly,	2A	5
17-03817-02	Wire Harness Assembly, 2 Cond 6 Pos	2B	5
36-28979-01	Label, "Factory Installed Software" (Not Shown)	2	33
36-28979-01	Label, "Factory Installed Software" (Not Shown)	2A	9
36-28979-01	Label, "Factory Installed Software"(Not Shown)	2B	8
36-30069-01	Label, "Index Micro Disk"	6	Not Shown
36-34565-19	Label, Serial Number (Made in USA)	2	31
36-34565-20	Label, Serial Number (Made in UK)	2	31
36-34565-25	Label, Serial Number DEC 3000, Model 500S (USA) (Not Shown)	2	37
36-34565-26	Label, Serial Number DEC3 000, Model 500S (UK)(N/S)	2	37
36-34565-32	Label, Serial Number (Made in USA)	2	49
36-34565-33	Label, Serial Number (Made in UK)	2	49
36-34565-38	Label, Serial Number (Made in USA)	2A	6
36-34565-39	Label, Serial Number (Made in UK)	2A	6
36-34565-40	Label, S/N DEC 3000 Model 800S, USA	2A	7
36-34565-41	Label, S/N DEC 3000 Model 800S, USA	2A	7
36-34565-59	Label, Serial Number, Model 900 (Made in USA)	2B	6
36-34565-60	Label, Serial Number, Model 900 (Made in UK)	2B	6
36-36842-01	Label, CE Mark	2A	54
36-36842-01	Label, CE Mark	2B	54
36-38245-01	Label, Rear Connector	2	22
36-38245-02	Label, Rear Connector	2A	8
36-38245-02	Label, Rear Connector	2B	7
36-38923-01	Label, Regulatory	2	5
36-38923-01	Label, Regulatory EXT	2A	10
36-38923-01	Label, Regulatory EXT	2B	9
36-38923-02	Label, Regulatory INT	2B	10
36-38923-02	Label, Regulatory	2	6
36-38923-02	Label, Regulatory INT	2A	11
36-39563-01	Label, Austel Warning	2	34
36-39563-01	Label, Austel Warning	2A	12
36-39563-01	Label, Austel Warning	2B	11
37-01313-01	Package Assembly (Not Shown)	2	32
37-01313-01	Package Assembly (Not Shown)	2A	13
37-01313-01	Package Assembly (Not Shown)	2B	12
37-01348-01	Package Assembly (Not Shown) (added)	2	38
37-01348-03	Package Assembly (Not Shown)	2A	37
37-01348-03	Package Assembly (Not Shown)	2B	36
54-20764-02	Module, SCSI-FDI Controller	6	5
54-21139-CA	Module, 1/2/4/8 MB SIM Memory	2A	42
54-21139-DA	Module, 1/2/4/8 MB SIM Memory	2A	43
54-21139-DA	Module, 1/2/4/8 MB SIM Memory	2B	41
54-21141-01	Module, MMB	2	4
54-21141-01	Module, MMB	2A	15
54-21141-01	Module, MMB	2B	14
54-21143-03	Module, CX Turbo	2A	49
54-21145-01	Module, Lights & Switches Display (Not Shown)	2	15
54-21145-01	Module, Lights & Switches Display (Not Shown)	2A	38
54-21145-01	Module, Lights & Switches Display (Not Shown)	2B	37
54-21145-02	Module, Lights & Switches Display	2	14

**INDEX BY DEC PART NUMBER**  
**DEC 3000 Models 500/800/900 SBB – PE500 SERIES**

PART NO.	DESCRIPTION	FIG NO.	ITEM NO.
54-21145-02	Module, Lights & Switches Display	2A	16
54-21145-02	Module, Lights & Switches Display	2B	15
54-21147-01	Module, I/O	2	3
54-21147-02	Module, DEC 3000 Model 800/800S I/O	2A	17
54-21147-02	Module, DEC 3000 Model 800/800S I/O	2B	16
54-21149-01	Module, System	2	2
54-21149-03	Module, System (Hot Pink)	2	40
54-21167-01	Module, Audio	5	3
54-22861-01	Module, Smart Frame Buffer Plus 8 Plane	2A	57
54-22861-01	Module, Smart Frame Buffer Plus 8 Plane	2B	46
54-23128-01	Regulator, 3.45V	2	45
54-23153-01	Module, DEC 3000 Model 800/800S CPU	2A	18
54-23153-01	Module, DEC 3000 Model 900 CPU	2B	17
54-23203-01	Module, Regulator (3.45V)	2A	14
54-23203-01	Module, Regulator (3.45V)	2B	13
70-28346-01	Kit, RRD42 Accessory	2A	47
70-29455-01	Chassis Weldment	4	7
70-29527-01	CHASSIS ASSEMBLY	4	N/A
70-29527-01	CHASSIS ASSEMBLY (deleted)	3	1
70-29527-02	CHASSIS ASSEMBLY	4	N/A
70-29527-02	CHASSIS ASSEMBLY (added)	3	22
70-29558-01	Tray Weldment, Removable Media Device	3	11
70-29562-01	AUDIO ASSEMBLY	2	7
70-29562-01	AUDIO ASSEMBLY	5	N/A
70-29562-01	AUDIO ASSEMBLY	2A	21
70-29562-01	AUDIO ASSEMBLY	2B	20
70-29563-01	Panel, Side Assembly Pedestal	2	25
70-29563-01	Panel, Side Assembly Rack	2A	22
70-29563-01	Panel, Side Assembly Pedestal	2B	21
70-29564-01	Panel, Side Assembly Rack	2	16
70-29564-01	Panel, Side Assembly Rack	2B	39
70-29564-01	Panel, Side Assembly Rack	2A	40
70-29565-01	Cord, Power (International)	1A	7
70-29565-01	Cord, Power International (Not Shown)(REF)	1	7
70-29565-01	Cord, Power (International) (Not Shown)	1B	6
70-29566-01	Kit, Accessory (Not Shown)	2	28
70-29566-03	Accessory Kit, Server (Not Shown)	2	36
70-29566-03	Kit, Accessory (Not Shown)	2A	20
70-29566-03	Kit, Accessory (Not Shown)	2B	19
70-29566-04	Kit, Accessory (Not Shown)	2B	18
70-29566-04	Kit, Accessory (Not Shown)	2A	19
70-30266-01	COVER ASSEMBLY, TOP	2	12
70-30266-01	COVER ASSEMBLY, TOP	2A	23
70-30266-01	COVER ASSEMBLY, TOP	2B	22
70-30888-01	Bracket Assembly, Fan	2	46
70-30888-01	Bracket Assembly, Fan	2B	51
74-41143-05	Blank, Bulkhead Assembly	2	18
74-41143-05	Blank, Bulkhead Assembly PM 300	2A	24
74-41143-05	Blank, Bulkhead Assembly PM300	2B	23
74-43810-01	Boot, Fan	3	2
74-43811-01	Pedestal	2	8
74-43811-01	Pedestal	2A	25
74-43811-01	Pedestal	2B	24

**INDEX BY DEC PART NUMBER**  
**DEC 3000 Models 500/800/900 SBB – PE500 SERIES**

PART NO.	DESCRIPTION	FIG NO.	ITEM NO.
74-43823-01	Support, Module	4	8
74-43823-02	Support, Module	4	9
74-43830-01	Bezel, Front Pedestal	2	10
74-43830-01	Bezel, Front Pedestal	2A	26
74-43830-01	Bezel, Front Pedestal	2B	25
74-44072-01	Bezel, Rear	2	13
74-44072-01	Bezel, Rear	2A	27
74-44072-01	Bezel, Rear	2B	26
74-44073-01	Cover, Top Plastic	2	12A
74-44073-01	Cover, Top Plastic	2A	23A
74-44073-01	Cover, Top Plastic	2B	22A
74-44141-01	Cover, Audio	5	1
74-44142-01	Box, Audio	5	2
74-44143-01	Handle, Cover	2	20
74-44143-01	Handle, Cover	2A	28
74-44143-01	Handle, Cover	2B	27
74-44251-01	Gasket, TURBOchannel	4	14
74-44254-01	Bracket, Mounting for RX26	6	2
74-44254-02	Bracket, Mounting for RX26	6	3
74-44487-01	Bezel, Removable Media BA66	6	4
74-44487-02	Bezel, Removable Media	2	29
74-44487-02	Bezel, Removable Media	2A	29
74-44487-02	Bezel, Removable Media	2B	28
74-44532-01	Door, Access	3	3
74-44618-01	Medallion	2	12C
74-44618-01	Medallion	2A	23C
74-44618-01	Medallion	2B	22C
74-44619-01	Light, Pipe	2	26
74-44619-01	Light, Pipe	2A	30
74-44619-01	Light, Pipe	2B	29
74-44620-01	Door, LSM	2	17
74-44620-01	Door, LSM	2A	31
74-44620-01	Door, LSM	2B	30
74-44649-01	Bezel, Audio	5	5
74-45215-01	Support, Module Spacer	2	24
74-45215-01	Support, Module Spacer	2A	32
74-45215-01	Support, Module Spacer	2B	31
74-45834-01	Clip, I/O Module	4	16
74-45837-01	Bracket, Pawl Lock	2	30
74-45837-01	Bracket, Pawl Lock	2A	33
74-45837-01	Bracket, Pawl Lock	2B	32
75-00022-01	License, DEC 3000 Model 500 Software	1	9
75-00022-02	License, DEC 3000 Model 500 Software	1	8
75-00022-09	License, DEC 3000 Model 800 VMS Software	1A	9
75-00022-10	License, DEC 3000 Model 800 OSF Software	1A	8
75-00022-15	License, DEC 3000 Model 900 VMS Software	1B	7
75-00022-16	License, DEC 3000 Model 900 OSF Software	1B	9
90-00049-01	Screw, Sems Pan Hd No. 6-32 x 1/4 Inch	2	19
90-00049-01	Screw, Sems Pan Hd No. 6-32 x 1/4 Inch	2A	34
90-00049-01	Screw, Sems Phi Pan Hd No. 6-32 x 1/4 XRCS	5	4
90-00049-01	Screw, Sems Pan Hd No. 6-32 x 1/4 Inch	2B	33
90-00049-45	Screw, Sems No. 10-32 x 1/2 Inch Hex Slot	2B	34
90-00049-45	Screw, Sems No. 10-32 x 1/2 Inch Hex Slot	2	9



**INDEX BY DEC PART NUMBER**  
**DEC 3000 Models 500/800/900 SBB – PE500 SERIES**

PART NO.	DESCRIPTION	FIG NO.	ITEM NO.
90-00049-45	Screw, Sems No. 10-32 x 1/2 Inch Hex Slot	2A	35
90-06039-02	Screw, Flat Hd Machine No. 8-32 x 1/2	2	48
90-06039-02	Screw, Flat Hd Machine No. 8-32 x .500	2B	55
90-06565-00	Nut, Kep No 10-32 x 3/8 AF	4	10
90-06584-03	Nut, U-	4	12
90-07031-00	Tie, Cable Bundle	3	19
90-07651-00	Washer, Lock External	4	11
90-09643-00	Screw, Sems Pan Hd No. 4-40 x 3/8 Inch	3	18
90-09800-04	Screw, Thrl Pan Hd No. 8-16 x 3/8	4	13
90-09984-02	Screw, Sems Pan Hd No. 6-32 x .437	2	52
90-09984-02	Screw, Sems Pan Hd No. 6-32 x .437	2A	39
90-09984-02	Screw, Sems Pan Hd No. 6-32 x .437	2B	38
90-10961-02	Screw, Mach M3 Pan Hd 6mm	2A	48
90-10961-02	Screw, Mach Pan Hd No. M3 x 6MM	6	7
90-10981-01	Screw, Machine Pan Hd 5mm (added)	2A	59
90-10981-01	Screw, Machine Pan Hd 5mm	2B	45
90-11275-01	Pad, Foam 13-1/4L x 1/2W x 1/4Th, Adhesive	4	15
90-11275-07	Foam, Pad 5.00 L x 1/2 W x 1/4 T (added)	4	18
90-11275-08	Foam, Pad 7.00 L x 1/2 W x 1/4 T (added)	4	19
BA66-A9	ENCLOSURE ASSEMBLY	2	1
BA66-A9	ENCLOSURE ASSEMBLY (BA66)	3	N/A
BA66-B9	ENCLOSURE ASSEMBLY	2	39
BA66-B9	ENCLOSURE ASSEMBLY (BA66)	3	N/A
BA66-C9	ENCLOSURE ASSEMBLY (BA66)	3	N/A
BA66-C9	ENCLOSURE, RISC EV4 PEDESTAL/RACK SYSTEM	2A	36
BA66-C9	ENCLOSURE, RISC EV4 PEDESTAL/RACK SYS.	2B	35
EK-A0377-UG	Documentation, "Guide To Using Fact. Installed VMS"	1	17
EK-A0377-UG	Documentation, "Guide To Using Fact. Installed VMS"	1A	15
EK-A0377-UG	Documentation, "Guide To Using Fact. Installed VMS"	1B	14
EK-A0377-UG	Documentation, "Guide To Using Fact. Installed VMS"	2A	52
EK-A0377-UG	Documentation, "Guide to Using Fact. Installed VMS"	2B	49
EK-D5AXP-DK	Documentation, DEC 3000 Model 500X AXP	1	20
EK-FLMNG-DK	Documentation Kit (Not Shown)	1	16
EK-FLMWS-DK	Documentation, DEC 3000 Model 550 AXP Info	1B	13
EK-FLMWS-DK	Documentation, DEC 3000 Model 550 AXP Info	1A	14
EK-SFBOM-TC	Documentation, Smart Frame Buffer	2A	50
EK-SFFIS-UG	Documentation, Guide To Using Fact. Installed OSF	1A	16
EK-SFFIS-UG	Documentation, Guide To Using F.I. OSF	1B	15
EK-SFFIS-UG	Documentation, OSF Factory Installed Software	2A	53
EK-SFFIS-UG	Documentation, OSF Software	1	18
EK-SFFIS-UG	Documentation, OSF Factory Installed Software	2B	50
EK-SMFBP-SG	Documentation, Smart Frame Buffer Owners	2A	58
EK-SMFBP-SG	Documentation, Smart Frame Buffer Owners	2B	47
H7883-AA	Power Supply, Univ. AC Input 490 W Output	3	12
H7883-YA	Power Supply, Universal AC Input 561W Out (added)	3	21
LK401-AA	Keyboard, LK401-A w/USA/UK Keycaps (deleted)	1	23
MS15-CA	Module, 32 MB Memory Option (Not Shown)	1A	1
MS15-CA	Module, 32MB Memory Option	1	1
MS15-CA	Module, 32 MB Memory Option (Not Shown)	1B	1
MS15-DA	Module, 64 MB Memory Option (Not Shown)	1A	2
MS15-DA	Module, 64 MB Memory Option	1	2

**INDEX BY DEC PART NUMBER**  
**DEC 3000 Models 500/800/900 SBB – PE500 SERIES**

PART NO.	DESCRIPTION	FIG NO.	ITEM NO.
MS15-DA	Module, 64 MB Memory Option (Not Shown)	1B	2
MS15-EA	Module, 128 MB Memory (Not Shown)	1	24
MS15-EA	Module, 128MB Memory Option	1A	19
MS15-EA	Module, 128MB Memory Option (Not Shown)	1B	3
MS15-FA	Module, 256 MB Memory (Not Shown)	1	25
MS15-FA	Module, 256MB Memory Option	1A	20
MS15-FA	Module, 256MB Memory Option (Not Shown)	1B	4
PE500-AD	DEC 3000 MODEL 500 SBB OSF, RACK MNT (240V)	1	N/A
PE500-BA	DEC 3000 MODEL 500 SBB OSF, DESKSIDE (120V)	1	N/A
PE500-BB	DEC 3000 MODEL 500 SBB VMS, DESKSIDE (240V)	1	N/A
PE500-BC	DEC 3000 MODEL 500 SBB VMS, RACK MNT (120V)	1	N/A
PE500-BD	DEC 3000 MODEL 500 SBB OSF, RACK MNT (240V)	1	N/A
PE500-CA	DEC 3000 MODEL 500 SBB OSF, DESKSIDE (120V)	1	N/A
PE500-CB	DEC 3000 MODEL 500 SBB OSF, DESKSIDE (240V)	1	N/A
PE500-CC	DEC 3000 MODEL 500 SBB OSF, RACK MNT (120V)	1	N/A
PE500-CD	DEC 3000 MODEL 500 SBB OSF, RACK MNT (240V)	1	N/A
PE500-DA	DEC 3000 MODEL 500 SBB VMS, DESKSIDE (120V)	1	N/A
PE500-DB	DEC 3000 MODEL 500 SBB VMS, DESKSIDE (240V)	1	N/A
PE500-DC	DEC 3000 MODEL 500 SBB VMS, RACK MNT (120V)	1	N/A
PE500-DD	DEC 3000 MODEL 500 SBB VMS, RACK MNT (240V)	1	N/A
PE500-EA	DEC 3000 MODEL 500 WS OSF/1 AXP BASE LICENSE (120V)	1	N/A
PE500-EB	DEC 3000 MODEL 500 WS OSF/1 AXP BASE LICENSE (240V)	1	N/A
PE500-FA	DEC 3000 MODEL 500 WS OPEN VMS AXP OSF/1-USER LICENSE (120V)	1	N/A
PE500-FB	DEC 3000 MODEL 500 WS OPEN VMS AXP OSF/1-USER LICENSE(120V)	1	N/A
PE500-GA	DEC 3000 MODEL 500 WS OSF/1 AXP BASE LICENSE (120V)	1	N/A
PE500-GB	DEC 3000 MODEL 500 WS OSF/1 AXP BASE LICENSE (240V)	1	N/A
PE500-HA	DEC 3000 MODEL 500 WS OPEN VMS AXP OSF/1-USER LICENSE (120V)	1	N/A
PE500-HB	DEC 3000 MODEL 500 WS OPEN VMS AXP OSF/1-USER LICENSE (120V)	1	N/A
PE500-UA	DEC 3000 MODEL 500 SBB OSF, DESKSIDE (120V)	1	N/A
PE500-UB	DEC 3000 MODEL 500 SBB OSF, DESKSIDE (240V)	1	N/A
PE500-UE	DEC 3000 MODEL 500 SBB VMS, DESKSIDE (120V)	1	N/A
PE500-UF	DEC 3000 MODEL 500 SBB VMS, DESKSIDE (240V)	1	N/A
PE500-UG	DEC 3000 MODEL 500 SBB OSF, DESKSIDE (120V)	1	N/A
PE500-UH	DEC 3000 MODEL 500 SBB OSF, DESKSIDE (240V)	1	N/A
PE500-UJ	DEC 3000 MODEL 500 SBB VMS, DESKSIDE (120V)	1	N/A
PE500-UK	DEC 3000 MODEL 500 SBB VMS, DESKSIDE (240V)	1	N/A
PE500-ZA	DEC 3000 MODEL 500 SBB NO SW LICENSE (120V)	1	N/A
PE500-ZB	DEC 3000 MODEL 500 SBB NO SW LICENSE (240V)	1	N/A
PE520-AA	DEC 3000 Model 800 OSF/1 AXP Base License (120V/240V)	1A	N/A
PE520-BA	DEC 3000 Model 800 Open VMS AXP Base License (120V/240V)	1A	N/A
PE520-CA	DEC 3000 Model 800 OSF/1 Base License (120V/240V)	1A	N/A
PE520-DA	DEC 3000 Model 800 Open VMS AXP Base License(120V/240V)	1A	N/A

**INDEX BY DEC PART NUMBER**  
**DEC 3000 Models 500/800/900 SBB – PE500 SERIES**

PART NO.	DESCRIPTION	FIG NO.	ITEM NO.
PE520–EA	DEC 3000 Model 800 OSF/1 Base Base License (120V/240V)	1A	N/A
PE520–FA	DEC 3000 Model 800 Open VMS AXP Base License(120V/240V)	1A	N/A
PE520–GA	DEC 3000 Model 800 OSF/1 Base License (120V/240V)	1A	N/A
PE520–HA	DEC 3000 Model 800 Open VMS AXP ) Base License (120V/240V)	1A	N/A
PE520–ZA	DEC 3000 Model 800, No Software License (120V/240V)	1A	N/A
PE540–BA	DEC 3000 Model 900 Open OSF/1 AXP Base License (120V/240V)	1B	N/A
PE540–CA	DEC 3000 Model 900 OSF/1 Base License (120/240V)	1B	N/A
PE540–DA	DEC 3000 Model 900 OSF/1 AXPBase License (120/240)	1B	N/A
PE540–EA	DEC 3000 Model 900 OSF/1 AXPBase Lic. (120/240V)	1B	N/A
PE540–MA	DEC 3000 Model 900 Open VMS AXP Base License (120V/240V)	1B	N/A
PE540–NA	DEC 3000 Model 900 Open VMS AXP Base License (120V/240V)	1B	N/A
PE540–PA	DEC 3000 Model 900 Open VMS AXP Base License (120V/240V)	1B	N/A
PE540–RA	DEC 3000 Model 900, Open VMS AXP Base License (120V/240V)	1B	N/A
PE540–RA	DEC 3000 Model 900, No Memory	1B	N/A
PE50A–A9	KERNEL ASSEMBLY, DESKTOP PEDESTAL	2	N/A
PE50A–A9	KERNEL ASSEMBLY, SYSTEM PEDESTAL	1	10
PE50A–B9	KERNEL ASSEMBLY, RACKMOUNT	2	N/A
PE50A–B9	KERNEL ASSEMBLY, SYSTEM (RACK MOUNT)	1	11
PE50A–C9	KERNEL ASSEMBLY, PEDESTAL SERVER	2	N/A
PE50A–D9	KERNEL ASSEMBLY, RACKMOUNT SERVER	2	N/A
PE50A–E9	KERNEL ASSEMBLY, HOT PINK	2	N/A
PE50A–E9	KERNEL ASSEMBLY, SYSTEM (PEDESTAL) (added)	1	19
PE52A–A9	KERNEL ASSEMBLY, DEC 3000 MODEL 800/800S	2A	N/A
PE52A–A9	KERNEL ASSEMBLY, DESKSIDE WORKSTATION	1A	10
PE52A–AA	KERNEL ASSEMBLY, DEC 3000 MODEL 800/800S	2A	N/A
PE52A–B9	KERNEL ASSEMBLY, DEC 3000 MODEL 800/800S	2A	N/A
PE52A–C9	KERNEL ASSEMBLY, DEC 3000 MODEL 800/800S	2A	N/A
PE52A–D9	KERNEL ASSEMBLY, DEC 3000 MODEL 800/800S	2A	N/A
PE52A–HA	KERNEL ASSEMBLY, DEC 3000 MODEL 800/800S	2A	N/A
PE54A–A9	KERNEL ASSY., DESKSIDE WORKSTATION	1B	9
PE54A–A9	KERNEL ASSEMBLY, DEC 3000/900	2B	N/A
PE54A–AA	KERNEL ASSEMBLY, DEC 3000/900	2B	N/A
PE54A–B9	KERNEL ASSEMBLY, DEC 3000/900	2B	N/A
PE54A–C9	KERNEL ASSEMBLY, DEC 3000/900	2B	N/A
RRD42–AA	RRD42 600 MB 5 1/4 Inch CD–ROM SCSI Fact. Installed	2A	46
RRD42–HM	Drive, RRD42 CD–ROM Disk (deleted)	1	12
RRD42–HM	Drive, RRD42 CD–ROM Disk (deleted)	1A	11
RRD43–AA	Drive, RRD43 600 MB CD–ROM (added)	2A	55
RRD43–AA	RRD43 600 MB CD–ROM	2B	44
RRD43–HM	Drive, RRD43 600 MB CD–ROM Disk	1B	10
RRD43–HM	Drive, RRD436 600 MB CD–ROM (added)	1	26
RRD43–HM	Drive, RRD436 600 MB CD–ROM (added)	1A	25

**INDEX BY DEC PART NUMBER**  
**DEC 3000 Models 500/800/900 SBB – PE500 SERIES**

PART NO.	DESCRIPTION	FIG NO.	ITEM NO.
RX26-AA	DRIVE, RX26 2.8MB 3.5 INCH DISKETTE SCSI	6	1
RX26-FT	DRIVE, RX26 2.8MB 3.5 INCH DISKETTE SCSI	1A	12
RX26-FT	DRIVE, RX26 DISKETTE 3.5 INCH 2.8 MB SCSI	1	13
RX26-FT	DRIVE, RX26 2.8MB 3.5 INCH DISKETTE	1B	11
RX26-FT	DRIVE, RX26-FT ASSEMBLY for BA66 ENCLOSURE	6	N/A
RX26K-01	Diskette, RX26 Extra Density Floppy	6	Not Shown
RZ24-EJ	Drive, RZ24 Factory Inst. w/ Mounting Hardware	1	14
RZ25-EJ	Drive, RZ25 Factory Inst. 426 MB SCSI Disk	1	3
RZ25-EJ	Drive, RZ25 Factory Inst. 426 MB SCSI Disk	1A	3
RZ25L-EJ	Drive, RZ25 535 MBF SCSI Disk	1A	21
RZ25L-EJ	Drive, RZ25 535MBF SCSI Disk	1B	17
RZ26-EJ	Drive, RZ26 1.05 GB SCSI Disk w/Mounting HW	1A	17
RZ26-EJ	Drive, RZ26 Factory Inst. w/ Mounting Hardware	1	21
RZ26L-EJ	Drive, RZ26L 3.5 Inch 1.05 GB SCSI Disk	1A	22
RZ26L-EJ	Drive, RZ26L 3.5 Inch 1.05GB SCSI Disk	1B	18
RZ28-E	Drive, RZ28 2.1 GB SCSI Fixed Disk	2A	44
RZ28-E	Drive, RZ28 2.1 GB SCSI Fixed Disk	2B	42
RZ28-EJ	Drive, RZ28 2.1 GB SCSI Disk	1A	23
RZ28-EJ	Drive, RZ28 2.1GB SCSI Disk	1B	19
TLZ06-MF	Drive, TLZ06 4 GB 4MM DAT 5.25 Inch	1A	13
TLZ06-MF	Drive, TLZ06 Factory Installed Cassette	1	15
TLZ07-MF	Drive, TLZ07 8GB 4MM DAT 5.25 Inch	1B	12
TZK10-MF	Drive, TZK10 Factory Installed 525 MB	1	4
TZK10-MF	Drive, TZK10 Factory Installed 525 MB	1A	4
TZK11-MF	Drive, TZK11 QIC-2B Tape	1A	24
TZK11-MF	Drive, TZK11 QIC-2B Tape	1B	20
VSXXX-GA	Mouse, Corporate 3 Button (Not Shown)	1	5
VSXXX-GA	Mouse, Corporate 3 Button (Not Shown)	1A	5
VSXXX-GA	Mouse, Corporate 3 Button (Not Shown)	1B	5

**INDEX BY DEC PART DESCRIPTION**  
**DEC 3000 Models 500/800/900 SBB – PE500 SERIES**

DESCRIPTION	DEC PART NO.	FIG. NO.	ITEM NO.
AUDIO ASSEMBLY	70-29562-01	2	7
AUDIO ASSEMBLY	70-29562-01	5	N/A
AUDIO ASSEMBLY	70-29562-01	2A	21
AUDIO ASSEMBLY	70-29562-01	2B	20
Bezel, Audio	74-44649-01	5	5
Bezel, Front Pedestal	74-43830-01	2	10
Bezel, Front Pedestal	74-43830-01	2A	26
Bezel, Front Pedestal	74-43830-01	2B	25
Bezel, Rear	74-44072-01	2	13
Bezel, Rear	74-44072-01	2A	27
Bezel, Rear	74-44072-01	2B	26
Bezel, Removable Media	74-44487-02	2	29
Bezel, Removable Media	74-44487-02	2A	29
Bezel, Removable Media	74-44487-02	2B	28
Bezel, Removable Media BA66	74-44487-01	6	4
Blank, Bulkhead Assembly	74-41143-05	2	18
Blank, Bulkhead Assembly PM 300	74-41143-05	2A	24
Blank, Bulkhead Assembly PM300	74-41143-05	2B	23
Boot, Fan	74-43810-01	3	2
Box, Audio	74-44142-01	5	2
Bracket Assembly, Fan	70-30888-01	2	46
Bracket Assembly, Fan	70-30888-01	2B	51
Bracket, Mounting for RX26	74-44254-01	6	2
Bracket, Mounting for RX26	74-44254-02	6	3
Bracket, Pawl Lock	74-45837-01	2	30
Bracket, Pawl Lock	74-45837-01	2A	33
Bracket, Pawl Lock	74-45837-01	2B	32
Cable Assembly, 12 Cond 18 SKT (added)	17-03814-01	3	20
Cable Assembly, Audio 8 Cond.	17-03502-01	3	15
Cable Assembly, COAX	17-02906-01	2A	51
Cable Assembly, COAX	17-02906-01	2B	48
Cable Assembly, CPU Power 4 Inch 16 Pos.	17-03318-01	3	4
Cable Assembly, CPU Power AUX 1 12 Cond.	17-03320-01	3	6
Cable Assembly, CPU Power I/O 14 Pos.	17-03319-01	3	5
Cable Assembly, Fan Power 9 Cond. 10 Pos.	17-03317-01	4	5
Cable Assembly, Hard Disk Power 20 Pos.	17-03316-01	3	7
Cable Assembly, Internal Power (125V)	17-03395-01	4	6
Cable Assembly, LSM 14 Cond.	17-03501-01	3	14
Cable Assembly, Regulator to CPU (J2-15)	17-03320-02	2	41
Cable Assembly, Regulator to CPU (J3-19)	17-03817-01	2	42
Cable Assembly, Regulator to Fan (J4-J4)	17-03816-01	2	43
Cable Assembly, Regulator to Imping. Fan (J5-J1)	17-03815-01	2	44
Cable Assembly, Removable Media 12 Pos.	17-03344-01	3	8
Cable Assembly, Hard Disk SCSI Round 50 Cond.	17-03315-01	3	9
Cable Assembly, Removable Media SCSI 50 Cond.	17-03314-01	3	10
Cable Assembly, Flat 34 Cond.	17-00285-00	6	6
CHASSIS ASSEMBLY	70-29527-01	4	N/A
CHASSIS ASSEMBLY	70-29527-02	4	N/A
CHASSIS ASSEMBLY (added)	70-29527-02	3	22
CHASSIS ASSEMBLY (deleted)	70-29527-01	3	1
Chassis Weldment	70-29455-01	4	7
Clamp, Cable (Adhesive Back)	12-36915-02	4	4
Clamp, Push-in Cable	12-37200-02	2B	56

**INDEX BY DEC PART DESCRIPTION**  
**DEC 3000 Models 500/800/900 SBB – PE500 SERIES**

DESCRIPTION	DEC PART NO.	FIG. NO.	ITEM NO.
Clip, Cable (Adhesive Backed)	12-21249-05	2	50
Clip, I/O Module	74-45834-01	4	16
Connector, SCSI Term 50 Position Champ Hsg	12-30552-01	2	23
Connector, SCSI Term 50 Position	12-30552-01	2A	1
Connector, SCSI Term 50 Position (Not Shown)	12-30552-01	2B	1
Cord, Power (International)	70-29565-01	1A	7
Cord, Power 3-18 SJT (for 120V System only)	17-00083-42	1A	6
Cord, Power International (Not Shown) (REF)	70-29565-01	1	7
Cord, Power (International) (Not Shown)	70-29565-01	1B	6
Cord, Power Term 3-18 SJT (Not Shown)	17-00083-42	1	6
COVER ASSEMBLY, TOP	70-30266-01	2	12
COVER ASSEMBLY, TOP	70-30266-01	2A	23
COVER ASSEMBLY, TOP	70-30266-01	2B	22
Cover, Audio	74-44141-01	5	1
Cover, Top Plastic	74-44073-01	2	12A
Cover, Top Plastic	74-44073-01	2A	23A
Cover, Top Plastic	74-44073-01	2B	22A
DEC 3000 MODEL 500 ALPHA SBB	N/A	1	N/A
DEC 3000 MODEL 500 SBB NO SW LICENSE (120V)	PE500-ZA	1	N/A
DEC 3000 MODEL 500 SBB NO SW LICENSE (240V)	PE500-ZB	1	N/A
DEC 3000 MODEL 500 SBB OSF, DESKSIDE (120V)	PE500-BA	1	N/A
DEC 3000 MODEL 500 SBB OSF, DESKSIDE (120V)	PE500-CA	1	N/A
DEC 3000 MODEL 500 SBB OSF, DESKSIDE (120V)	PE500-UA	1	N/A
DEC 3000 MODEL 500 SBB OSF, DESKSIDE (120V)	PE500-UG	1	N/A
DEC 3000 MODEL 500 SBB OSF, DESKSIDE (240V)	PE500-CB	1	N/A
DEC 3000 MODEL 500 SBB OSF, DESKSIDE (240V)	PE500-UB	1	N/A
DEC 3000 MODEL 500 SBB OSF, DESKSIDE (240V)	PE500-UH	1	N/A
DEC 3000 MODEL 500 SBB OSF, RACK MNT (120V)	PE500-CC	1	N/A
DEC 3000 MODEL 500 SBB OSF, RACK MNT (240V)	PE500-AD	1	N/A
DEC 3000 MODEL 500 SBB OSF, RACK MNT (240V)	PE500-BD	1	N/A
DEC 3000 MODEL 500 SBB OSF, RACK MNT (240V)	PE500-CD	1	N/A
DEC 3000 MODEL 500 SBB VMS, DESKSIDE (120V)	PE500-DA	1	N/A
DEC 3000 MODEL 500 SBB VMS, DESKSIDE (120V)	PE500-UE	1	N/A
DEC 3000 MODEL 500 SBB VMS, DESKSIDE (120V)	PE500-UJ	1	N/A
DEC 3000 MODEL 500 SBB VMS, DESKSIDE (240V)	PE500-BB	1	N/A
DEC 3000 MODEL 500 SBB VMS, DESKSIDE (240V)	PE500-DB	1	N/A
DEC 3000 MODEL 500 SBB VMS, DESKSIDE (240V)	PE500-UF	1	N/A
DEC 3000 MODEL 500 SBB VMS, DESKSIDE (240V)	PE500-UK	1	N/A
DEC 3000 MODEL 500 SBB VMS, RACK MNT (120V)	PE500-DC	1	N/A
DEC 3000 MODEL 500 SBB VMS, RACK MNT (120V)	PE500-BC	1	N/A
DEC 3000 MODEL 500 SBB VMS, RACK MNT (240V)	PE500-DD	1	N/A
DEC 3000 MODEL 500 WS OPEN VMS AXP 1-USER LICENSE (120V)	PE500-FA	1	N/A
DEC 3000 MODEL 500 WS OPEN VMS AXP 1-USER LICENSE (120V)	PE500-FB	1	N/A
DEC 3000 MODEL 500 WS OPEN VMS AXP 1-USER LICENSE (120V)	PE500-FB	1	N/A
DEC 3000 MODEL 500 WS OPEN VMS AXP 1-USER LICENSE (120V)	PE500-HA	1	N/A
DEC 3000 MODEL 500 WS OPEN VMS AXP 1-USER LICENSE (120V)	PE500-HB	1	N/A
DEC 3000 MODEL 500 WS OSF/1 AXP BASE LICENSE (120V)	PE500-EA	1	N/A
DEC 3000 MODEL 500 WS OSF/1 AXP BASE LICENSE (120V)	PE500-GA	1	N/A

**INDEX BY DEC PART DESCRIPTION**  
**DEC 3000 Models 500/800/900 SBB – PE500 SERIES**

DESCRIPTION	DEC PART NO.	FIG. NO.	ITEM NO.
DEC 3000 MODEL 500 WS OSF/1 AXP BASE LICENSE (240V)	PE500-EB	1	N/A
DEC 3000 MODEL 500 WS OSF/1 AXP BASE LICENSE (240V)	PE500-GB	1	N/A
DEC 3000 Model 800 OSF/1 Base Base License (120V/240V)	PE520-GA	1A	N/A
DEC 3000 Model 800 OSF/1 Base License (120V/240V)	PE520-CA	1A	N/A
DEC 3000 Model 800 Open VMS AXP Base (120V/240V)	PE520-BA	1A	N/A
DEC 3000 Model 800 Open VMS AXP Base (120V/240V)	PE520-DA	1A	N/A
DEC 3000 Model 800 Open VMS AXP Base License (120V/240V)	PE520-FA	1A	N/A
DEC 3000 Model 800 Open VMS AXP License (120V/240V)	PE520-HA	1A	N/A
DEC 3000 Model 800, No Software License (120V/240V)	PE520-ZA	1A	N/A
DEC 3000 Model 800 OSF/1 AXP Base ) License (120V/240V)	PE520-AA	1A	N/A
DEC 3000 Model 800 OSF/1 Base Base License (120V/240V)	PE520-EA	1A	N/A
DEC 3000 Model 900 Open OSF/1 AXP Base License (120V/240V)	PE540-BA	1B	N/A
DEC 3000 Model 900 OSF/1 Base License (120V/240V)	PE540-CA	1B	N/A
DEC 3000 Model 900 OSF/1 AXP Base License (120V/240V)	PE540-DA	1B	N/A
DEC 3000 Model 900 OSF/1 AXP Base License (120V/240V)	PE540-EA	1B	N/A
DEC 3000 Model 900 Open VMS AXP Base License (120V/240V)	PE540-MA	1B	N/A
DEC 3000 Model 900 Open VMS AXP Base License (120V/240V)	PE540-NA	1B	N/A
DEC 3000 Model 900 Open VMS AXP Base License (120V/240V)	PE540-PA	1B	N/A
DEC 3000 Model 900, Open VMS AXP Base License (120V/240V)	PE540-RA	1B	N/A
DEC 3000 Model 900, No Memory	PE540-RA	1B	N/A
Diskette, RX26 Extra Density Floppy	RX26K-01	6	Not Shown
Documentation Kit (Not Shown)	EK-FLMNG-DK	1	16
Documentation, "Guide To Using F. Installed VMS"	EK-A0377-UG	1	17
Documentation, "Guide To Using F. Installed VMS"	EK-A0377-UG	1A	15
Documentation, "Guide To Using F. Installed VMS"	EK-A0377-UG	1B	14
Documentation, "Guide To Using F. Installed VMS"	EK-A0377-UG	2A	52
Documentation, "Guide To Using F. Installed VMS"	EK-A0377-UG	2B	49
Documentation, DEC 3000 Model 500X AXP	EK-D5AXP-DK	1	20
Documentation, DEC 3000 Model 550 AXP Info	EK-FLMWS-DK	1A	14
Documentation, DEC 3000 Model 550 AXP Info	EK-FLMWS-DK	1B	13
Documentation, "Guide To Using F. Installed OSF SW"	EK-SFFIS-UG	1A	16
Documentation, "Guide To Using F. Installed OSF SW"	EK-SFFIS-UG	2A	53
Documentation, "Guide To Using F. Installed OSF SW"	EK-SFFIS-UG	1	18
Documentation, "Guide To Using F. Installed OSF SW"	EK-SFFIS-UG	1B	15
Documentation, "Guide To Using F. Installed OSF SW"	EK-SFFIS-UG	2B	50
Documentation, Smart Frame Buffer	EK-SFBOM-TC	2A	50
Documentation, Smart Frame Buffer Owners	EK-SMFBP-SG	2A	58
Documentation, Smart Frame Buffer Owners	EK-SMFBP-SG	2B	47
Door, Access	74-44532-01	3	3
Door, LSM	74-44620-01	2	17
Door, LSM	74-44620-01	2A	31
Door, LSM	74-44620-01	2B	30
Drive, RRD42 CD-ROM Disk (deleted)	RRD42-HM	1	12
Drive, RRD42 CD-ROM Disk (deleted)	RRD42-HM	1A	11
Drive, RRD42 600 MB CD-ROM SCSI Factory Inst.	RRD42-AA	2A	46

**INDEX BY DEC PART DESCRIPTION**  
**DEC 3000 Models 500/800/900 SBB – PE500 SERIES**

DESCRIPTION	DEC PART NO.	FIG. NO.	ITEM NO.
Drive, RRD43 CD-ROM 600 MB (added)	RRD43-HM	1	26
Drive, RRD43 CD-ROM 600 MB (added)	RRD43-HM	1A	25
Drive, RRD43 600 MB CD-ROM (added)	RRD43-AA	2A	55
Drive, RRD43 600 MB CD-ROM Disk	RRD42-HM	1B	10
Drive, RRD43 600 MB CD-ROM	RRD43-AA	2B	44
Drive, RX26 3.5 Inch 2.8 MB Diskette	RX26-AA	6	1
Drive, RX26-FT ASSEMBLY for BA66 ENCLOSURE	RX26-FT	6	N/A
DRIVE, RX26 2.8MB 3.5 INCH DISKETTE	RX26-FT	1A	12
DRIVE, RX26 2.8MB 3.5 INCH DISKETTE	RX26-FT	1B	11
DRIVE, RX26 3.5 INCH 2.8 MB DISKETTE SCSI	RX26-FT	1	13
Drive, RZ24 Factory Inst. w/ Mounting Hardware	RZ24-EJ	1	14
Drive, RZ25 MB SCSI Disk	RZ25L-EJ	1B	17
Drive, RZ25 Factory Inst. 426 MB SCSI Disk	RZ25-EJ	1	3
Drive, RZ25 Factory Inst. 426 MB SCSI Disk	RZ25-EJ	1A	3
Drive, RZ25 535MBF SCSI Disk	RZ25L-EJ	1A	21
Drive, RZ26 1.05 GB SCSI Disk w/Mounting HW	RZ26-EJ	1A	17
Drive, RZ26 Factory Inst. w/ Mounting Hardware	RZ26-EJ	1	21
Drive, RZ26L 3.5 Inch 1.05GB SCSI Disk	RZ26L-EJ	1A	22
Drive, RZ26L 3.5 Inch 1.05GB SCSI Disk	RZ26L-EJ	1B	18
Drive, RZ28 2.1 GB SCSI Fixed Disk	RZ28-E	2A	44
Drive, RZ28 2.1GB SCSI Disk	RZ28-EJ	1A	23
Drive, RZ28 2.1GB SCSI Disk	RZ28-EJ	1B	19
Drive, RZ28 2.1 GB SCSI Fixed Disk	RZ28-E	2B	42
Drive, TLZ06 4GB 4MM DAT 5.25 Inch	TLZ06-MF	1A	13
Drive, TLZ06 Factory Inst. Cassette	TLZ06-MF	1	15
Drive, TLZ07 8GB 4MM DAT 5.25 Inch	TLZ07-MF	1B	12
Drive, TZK10 Factory Inst. 525 MB	TZK10-MF	1	4
Drive, TZK10 Factory Inst. 525 MB	TZK10-MF	1A	4
Drive, TZK11 QIC-2B Tape	TZK11-MF	1A	24
Drive, TZK11 QIC-2B Tape	TZK11-MF	1B	20
ENCLOSURE ASSEMBLY	BA66-A9	2	1
ENCLOSURE ASSEMBLY	BA66-B9	2	39
ENCLOSURE ASSEMBLY	N/A	3	N/A
ENCLOSURE ASSEMBLY (BA66)	BA66-A9	3	N/A
ENCLOSURE ASSEMBLY (BA66)	BA66-B9	3	N/A
ENCLOSURE ASSEMBLY (BA66)	BA66-C9	3	N/A
ENCLOSURE, RISC EV4 PEDESTAL/RACK SYSTEM	BA66-C9	2A	36
ENCLOSURE, RISC EV4 PEDESTAL/RACK SYSTEM	BA66-C9	2B	35
Fan Assembly, w/Guard Tube Axial 4-3/4 Inch	12-23609-12	3	13
Fingerstock, EMI/RFI 3 Inch Clip-on	12-35995-02	4	1
Fingerstock, EMI/RFI 4 1/2 Inch Clip-on	12-35995-03	4	2
Fingerstock, Non-Snag for EOS	12-26922-01	4	17
Foam, Pad 5.00 L x 1/2 W x 1/4 T (added)	90-11275-07	4	18
Foam, Pad 7.00 L x 1/2 W x 1/4 T (added)	90-11275-08	4	19
Gasket, TURBOchannel	74-44251-01	4	14
Grommet, Caterpillar 2.2 Inch Lng	12-25469-03	3	23
Grommet, Nylon Round Panel	12-25627-09	3	16
Grommet, Round Panel, Nylon	12-25627-09	2A	41
Grommet, Round Panel, Nylon	12-25627-09	2B	40
Grommet, Rubber	12-31734-01	2A	45
Grommet, Rubber	12-31734-01	2B	43
Guide, Card (4 Inch Nylon Snap-in)	12-36308-02	4	3



**INDEX BY DEC PART DESCRIPTION**  
**DEC 3000 Models 500/800/900 SBB – PE500 SERIES**

DESCRIPTION	DEC PART NO.	FIG. NO.	ITEM NO.
Handle, Cover	74-44143-01	2	20
Handle, Cover	74-44143-01	2A	28
Handle, Cover	74-44143-01	2B	27
Harness Assembly, Wire 3 Cond	17-03815-01	2B	52
Harness Assembly, Wire 3 Cond	17-03816-02	2B	53
<b>KERNEL ASSEMBLY</b>	N/A	2	N/A
KERNEL ASSEMBLY, DEC 3000 MODEL 800/800S	N/A	2A	N/A
KERNEL ASSEMBLY, DEC 3000 MODEL 800/800S	PE52A-A9	2A	N/A
KERNEL ASSEMBLY, DEC 3000 MODEL 800/800S	PE52A-AA	2A	N/A
KERNEL ASSEMBLY, DEC 3000 MODEL 800/800S	PE52A-B9	2A	N/A
KERNEL ASSEMBLY, DEC 3000 MODEL 800/800S	PE52A-C9	2A	N/A
KERNEL ASSEMBLY, DEC 3000 MODEL 800/800S	PE52A-D9	2A	N/A
KERNEL ASSEMBLY, DEC 3000 MODEL 800/800S	PE52A-HA	2A	N/A
KERNEL ASSEMBLY, DEC 3000 MODEL 900	PE54A-A9	2B	N/A
KERNEL ASSEMBLY, DEC 3000 MODEL 900	PE54A-AA	2B	N/A
KERNEL ASSEMBLY, DEC 3000 MODEL 900	PE54A-B9	2B	N/A
KERNEL ASSEMBLY, DEC 3000 MODEL 900	PE54A-C9	2B	N/A
KERNEL ASSEMBLY, DESKSIDE WORKSTATION	PE54A-A9	1B	9
KERNEL ASSY, DESKSIDE WORKSTATION	PE52A-A9	1A	10
KERNEL ASSY, DESKTOP PEDESTAL	PE50A-A9	2	N/A
KERNEL ASSY, HOT PINK	PE50A-E9	2	N/A
KERNEL ASSY, PEDESTAL SERVER	PE50A-C9	2	N/A
KERNEL ASSY, RACKMOUNT	PE50A-B9	2	N/A
KERNEL ASSY, RACKMOUNT SERVER	PE50A-D9	2	N/A
KERNEL ASSEMBLY, SYSTEM (PEDESTAL) (added)	PE50A-E9	1	19
KERNEL ASSEMBLY, SYSTEM (RACK MOUNT)	PE50A-B9	1	11
KERNEL ASSEMBLY, SYSTEM PEDESTAL	PE50A-A9	1	10
Keyboard, LK401-A w/USA/UK Keycaps (deleted)	LK401-AA	1	23
Kit, Accessory (Not Shown)	70-29566-01	2	28
Kit, Accessory (Not Shown)	70-29566-03	2A	20
Kit, Accessory (Not Shown)	70-29566-04	2A	19
Kit, Accessory (Not Shown)	70-29566-04	2B	18
Kit, Accessory (Not Shown)	70-29566-03	2B	19
Kit, Server Accessory (Not Shown)	70-29566-03	2	36
Kit, RRD42 Accessory	70-28346-01	2A	47
Label, CE Mark	36-36842-01	2A	54
Label, CE Mark	36-36842-01	2B	54
Label, "Factory Installed Software" (Not Shown)	36-28979-01	2	33
Label, "Factory Installed Software" (Not Shown)	36-28979-01	2A	9
Label, "Factory Installed Software" (Not Shown)	36-28979-01	2B	8
Label, "Index Micro Disk"	36-30069-01	6	Not Shown
Label, Austel Warning	36-39563-01	2	34
Label, Austel Warning	36-39563-01	2A	12
Label, Austel Warning	36-39563-01	2B	11
Label, Rear Connector	36-38245-01	2	22
Label, Rear Connector	36-38245-02	2A	8
Label, Rear Connector	36-38245-02	2B	7
Label, Regulatory	36-38923-01	2	5
Label, Regulatory	36-38923-02	2	6
Label, Regulatory EXT	36-38923-01	2A	10
Label, Regulatory EXT	36-38923-01	2B	9
Label, Regulatory INT	36-38923-02	2B	10
Label, Regulatory INT	36-38923-02	2A	11

**INDEX BY DEC PART DESCRIPTION**  
**DEC 3000 Models 500/800/900 SBB – PE500 SERIES**

DESCRIPTION	DEC PART NO.	FIG. NO.	ITEM NO.
Label, S/N DEC 3000 Model 800S, USA	36-34565-40	2A	7
Label, S/N DEC 3000 Model 800S, USA	36-34565-41	2A	7
Label, Serial Number (Made in UK)	36-34565-33	2	49
Label, Serial Number (Made in USA)	36-34565-19	2	31
Label, Serial Number (Made in USA)	36-34565-32	2	49
Label, Serial Number (Made in UK)	36-34565-20	2	31
Label, Serial Number DEC 3000, Model 500S (UK) (N/S)	36-34565-26	2	37
Label, Serial Number, Model 900 (Made in USA)	36-34565-59	2B	6
Label, Serial Number, Model 900 (Made in UK)	36-34565-60	2B	6
Label, Serial Number DEC3000, Model 500S (USA) (N/S)	36-34565-25	2	37
Label, Serial Number, (Made in USA)	36-34565-38	2A	6
Label, Serial Number, (Made in UK)	36-34565-39	2A	6
License, DEC 3000 Model 900 VMS Software	75-00022-15	1B	7
License, DEC 3000 Model 900 OSF Software	75-00022-06	1B	9
License, DEC 3000 Model 800 OSF Software	75-00022-10	1A	8
License, DEC 3000 Model 800 VMS Software	75-00022-09	1A	9
License, DEC/3000 Model 500 Software	75-00022-01	1	9
License, DEC/3000 Model 500 Software	75-00022-02	1	8
Light, Pipe	74-44619-01	2	26
Light, Pipe	74-44619-01	2A	30
Light, Pipe	74-44619-01	2B	29
Lock, Key	12-36437-02	2	12B
Lock, Key	12-36437-02	2A	23B
Lock, Key	12-36437-02	2B	22B
Medallion	74-44618-01	2	12C
Medallion	74-44618-01	2A	23C
Medallion	74-44618-01	2B	22C
Module, 1/2/4/8 MB SIM Memory	54-21139-CA	2A	42
Module, 1/2/4/8 MB SIM Memory	54-21139-DA	2A	43
Module, 1/2/4/8 MB SIM Memory	54-21139-DA	2B	41
Module, 32 MB Memory Option (Not Shown)	MS15-CA	1A	1
Module, 32MB Memory Option	MS15-CA	1	1
Module, 32 MB Memory Option (Not Shown)	MS15-CA	1B	1
Module, 64 MB Memory Option (Not Shown)	MS15-DA	1A	2
Module, 64MB Memory Option	MS15-DA	1	2
Module, 64 MB Memory Option (Not Shown)	MS15-DA	1B	2
Module, 128 MB Memory (Not Shown)	MS15-EA	1	24
Module, 128MB Memory Option	MS15-EA	1A	19
Module, 128MB Memory Option (Not Shown)	MS15-EA	1B	3
Module, 256 MB Memory (Not Shown)	MS15-FA	1	25
Module, 256MB Memory Option	MS15-FA	1A	20
Module, 256MB Memory Option (Not Shown)	MS15-FA	1B	4
Module, Audio	54-21167-01	5	3
Module, CX Turbo	54-21143-03	2A	49
Module, DEC 3000 Model 800/800S CPU	54-23153-01	2A	18
Module, DEC 3000 Model 800/800S I/O	54-21147-02	2A	17
Module, DEC 3000 Model 800/800S I/O	54-21147-02	2B	16
Module, DEC 3000 Model 900 CPU	54-23153-01	2B	17
Module, I/O	54-21147-01	2	3
Module, Lights & Switches Display	54-21145-02	2	14
Module, Lights & Switches Display	54-21145-02	2A	16
Module, Lights & Switches Display	54-21145-02	2B	15
Module, Lights & Switches Display (Not Shown)	54-21145-01	2	15
Module, Lights & Switches Display (Not Shown)	54-21145-01	2A	38

**INDEX BY DEC PART DESCRIPTION**  
**DEC 3000 Models 500/800/900 SBB – PE500 SERIES**

DESCRIPTION	DEC PART NO.	FIG. NO.	ITEM NO.
Module, Lights & Switches Display (Not Shown)	54-21145-01	2B	37
Module, MMB	54-21141-01	2	4
Module, MMB	54-21141-01	2A	15
Module, MMB	54-21141-01	2B	14
Module, Regulator (3.45V)	54-23203-01	2A	14
Module, Regulator (3.45V)	54-23203-01	2B	13
Module, SCSI-FDI Controller	54-20764-02	6	5
Module, Smart Frame Buffer Plus 8 Plane	54-22861-01	2A	57
Module, Smart Frame Buffer Plus 8 Plane	54-22861-01	2B	46
Module, System	54-21149-01	2	2
Module, System (Hot Pink)	54-21149-03	2	40
Mount, Shock	12-38682-01	2	21
Mount, Shock	12-38682-01	2A	3
Mount, Shock	12-38682-01	2B	3
Mouse, Corporate 3 Button (Not Shown)	VSXXX-GA	1	5
Mouse, Corporate 3 Button (Not Shown)	VSXXX-GA	1A	5
Mouse, Corporate 3 Button (Not Shown)	VSXXX-GA	1B	5
Nut, Kep No 10-32 x 3/8 AF	90-06565-00	4	10
Nut, U-	90-06584-03	4	12
Package Assembly (Not Shown)	37-01348-03	2A	37
Package Assembly (Not Shown) (added)	37-01348-01	2	38
Package Assembly (Not Shown)	37-01313-01	2	32
Package Assembly (Not Shown)	37-01313-01	2A	13
Package Assembly (Not Shown)	37-01313-01	2B	12
Package Assembly (Not Shown)	37-01348-03	2B	36
Pad, Foam 13-1/4L x 1/2W x 1/4Th, Adhesive	90-11275-01	4	15
Panel, Side Assembly Pedestal	70-29563-01	2	25
Panel, Side Assembly Pedestal	70-29563-01	2B	21
Panel, Side Assembly Rack	70-29564-01	2	16
Panel, Side Assembly Rack	70-29563-01	2A	22
Panel, Side Assembly Rack	70-29564-01	2A	40
Panel, Side Assembly Rack	70-29564-01	2B	39
Pedestal	74-43811-01	2	8
Pedestal	74-43811-01	2A	25
Pedestal	74-43811-01	2B	24
Power Supply, Univ. AC Input 490 W Output	H7883-AA	3	12
Power Supply, Universal AC Input 561W Out (added)	H7883-YA	3	21
Regulator, 3.45V	54-23128-01	2	45
Rivet, Removable	12-36064-01	2	27
Rivet, Removable	12-36064-01	2A	2
Rivet, Removable	12-36064-01	5	6
Rivet, Removeable	12-36064-01	2B	2
Screw, Flat Hd Machine No. 8-32 x .500	90-06039-02	2	48
Screw, Flat Hd Machine No. 8-32 x .500	90-06039-02	2B	55
Screw, Machine Pan Hd 5mm	90-10981-01	2B	45
Screw, Mach M3 Pan Hd 6mm	90-10961-02	2A	48
Screw, Mach Pan Hd No. M3 x 6MM	90-10961-02	6	7
Screw, Machine Pan Hd 5mm (added)	90-10981-01	2A	59
Screw, Sems No. 10-32 x 1/2 Inch Hex Slot	90-00049-45	2	9
Screw, Sems No. 10-32 x 1/2 Inch Hex Slot	90-00049-45	2A	35
Screw, Sems No. 10-32 x 1/2 Inch Hex Slot	90-00049-45	2B	34
Screw, Sems Pan Hd No. 6-32 x 1/4 Inch	90-00049-01	2	19

**INDEX BY DEC PART DESCRIPTION**  
**DEC 3000 Models 500/800/900 SBB – PE500 SERIES**

DESCRIPTION	DEC PART NO.	FIG. NO.	ITEM NO.
Screw, Sems Pan Hd No. 6–32 x 1/4 Inch	90–00049–01	2A	34
Screw, Sems Pan Hd No. 6–32 x 1/4 Inch	90–00049–01	2B	33
Screw, Sems Pan Hd No. 4–40 x 3/8 Inch	90–09643–00	3	18
Screw, Sems Pan Hd No. 6–32 x .437	90–09984–02	2	52
Screw, Sems Pan Hd No. 6–32 x .437	90–09984–02	2A	39
Screw, Sems Pan Hd No. 6–32 x .437	90–09984–02	2B	38
Screw, Sems Phl Pan Hd No. 6–32 x 1/4	12–30934–01	2	47
Screw, Sems Phl Pan Hd No. 6–32 x 1/4 XRCS	90–00049–01	5	4
Screw, Shld No. 6–32 x 25/64 Slot Hd	12–27886–01	3	17
Screw, Thrl Pan Hd No. 8–16 x 3/8	90–09800–04	4	13
Support, Module	74–43823–01	4	8
Support, Module	74–43823–02	4	9
Support, Module Spacer	74–45215–01	2	24
Support, Module Spacer	74–45215–01	2A	32
Support, Module Spacer	74–45215–01	2B	31
Tape, Embossed CU, Adh. Backed	12–23743–05	3	25
Tie, Cable Bundle	90–07031–00	3	19
Tray Weldment, Removable Media Device	70–29558–01	3	11
Washer, Lock External	90–07651–00	4	11
Wire Harness Assembly,	17–03814–02	3	24
Wire Harness Assembly,	17–03817–02	2A	5
Wire Harness Assembly, 2 Cond 6 Pos	17–03817–02	2B	5
Wire Harness Assembly, 12 Cond	17–03320–03	2A	4
Wire Harness Assembly, 12 Cond	17–03320–03	2B	4