

AlphaServer 2000 Series
Illustrated Parts Breakdown

Order Number: EK-SY400-IP. B01

Digital Equipment Corporation
Maynard, Massachusetts

Digital Equipment Corporation reserves the right, without notice, to make substitutions and modifications in the specifications of products documented in this manual and further reserves the right to withdraw any of these products from the market without notice.

Digital Equipment Corporation is not responsible for errors which may appear in the technical description (including illustrations and photographs) of the products covered by this manual.

None of the descriptions contained in this manual imply the granting of any license whatsoever to make, use or sell equipment constructed in accordance therewith.

Restricted Rights: Use, duplication or disclosure by the U.S. Government is subject to restrictions as set forth in subparagraph (c) (1) (ii) of the Rights in Technical Data and Computer Software clause at DFARS 252.227-2713.

Copyright © 1994, 1995 by Digital Equipment Corporation. All rights reserved.
Printed in U.S.A.

The following are trademarks of Digital Equipment Corporation :
AlphaGeneration, AlphaServer, Digital UNIX, Open VMS, StorageWorks and the Digital logo.

The following are third party trademarks:
MicroSoft is a registered trademark and Microsoft Windows NT is a trademark of Microsoft Corporation.

Reader's Comments

Digital welcomes your comments on this or any other manual.
You can send your comments to Digital in the following ways:

- Internet electronic mail to: *readers_comment@zk3.dec.com*
- Mail:

Digital Equipment Corporation
Shared Engineering Services
Digital Drive MKO1-2/E12
P.O. BOX 9501
Merrimack, NH 03054-9982

Please reference EK-SY400-IP. B01 in your correspondence.

**ILLUSTRATED
PARTS
BREAKDOWN**

AlphaServer 2000 Series

ILLUSTRATED PARTS BREAKDOWN (IPB)

The IPB is used to identify a part and its location in a hardware product. The document references specific item numbers in the associated parts list.

HOW TO USE THE IPB

1. Locate the figure containing the item of interest.
2. Locate the number (callout) of the item of interest.
3. Locate that item number in the associated parts list.

FORMAT

Each IPB is generally organized based on its first figure. All other assemblies and subassemblies are referenced from this figure. Each figure contains numeric callouts of all major parts (items).

PARTS LIST

Each parts list contains the following:

Figure and Item No. – Lists the figure number and its referenced numeric callout

Description – Presents the name and a brief description of the item. A single asterisk (*) preceding the description denotes item is a

subassembly to its referenced figure. A double asterisk (**) preceding the description indicates that this item is subordinate to the preceding single asterisk item.

Digital Part No. – Lists the Digital/Vendor part number. The letter in the column heading indicates the current revision level of the Engineering Drawing for the referenced figure.

ECO Cut-In – Lists the top assembly drawing number and revision level at first printing. All additional revisions to an item are listed in this column.

Used On Code – Lists letters referring to the product variation assigned in Figure 1. When this column is blank, the item is used in all variations.

Ref Fig No. – Lists a cross reference between figures within the IPB.

PART NUMBER/PART DESCRIPTION INDEX SECTION

Lists items by part number numerically, and description alphabetically. Items are also referenced to a location within the IPB by figure and item number.

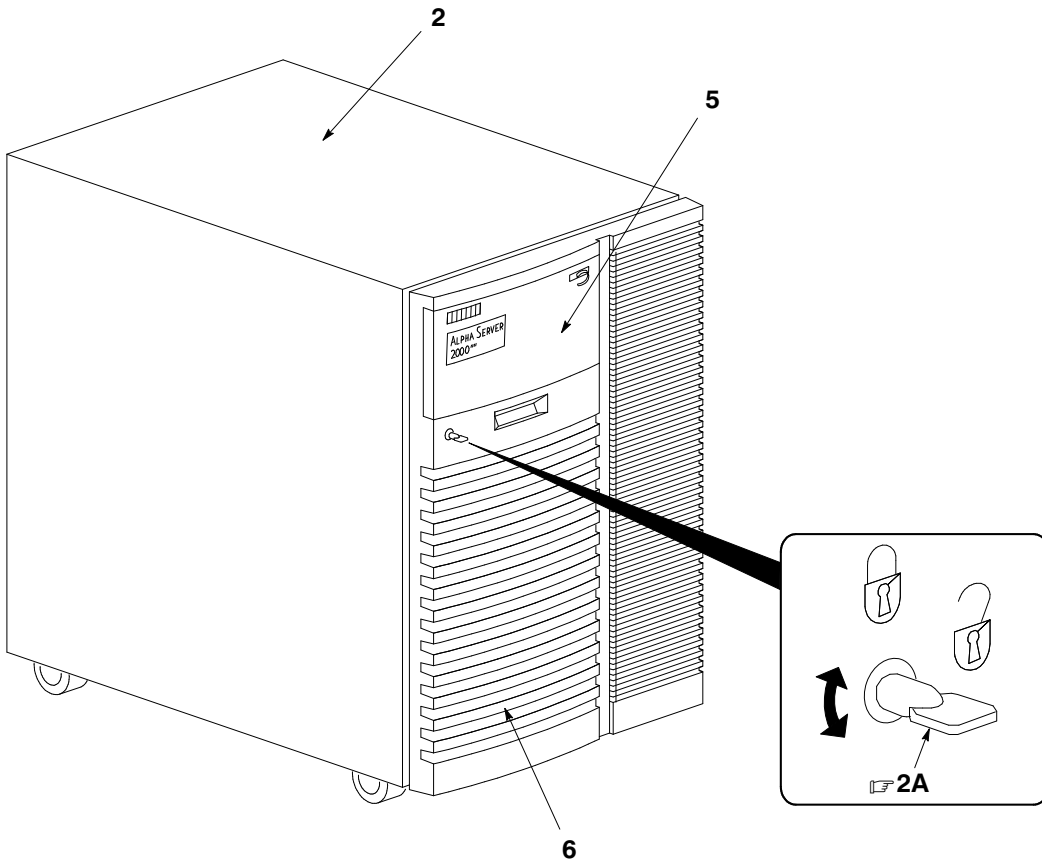
ECO/REVISION HISTORY

**OTHER IPB
MANUALS
REFERENCED**

FIGURE NO.	ASSEMBLY	INITIAL LEVEL	CURRENT LEVEL	PRINTING DATE	OTHER IPB MANUALS REFERENCED
1	450AD	00000	00001	22-DEC-95	N/A
1	450ND	00000	00001		
1	450XD	00000	00001		
1	450YD	00000	00001		
1	455AD	00000	00001		
1	455ND	00000	00001		
1	455XD	00000	00001		
1	455YD	00000	00001		
1	460AD	00000	00001		
1	460ND	00000	00001		
1	460XD	00000	00001		
1	460YD	00000	00001		
1	470AD	00000	00000		
1	470ND	00000	00000		
1	470XD	00000	00000		
1	470YD	00000	00000		
1	480AD	00000	00000		
1	480ND	00000	00000		
1	480XD	00000	00000		
1	480YD	00000	00000		
2	BA720	00000	00002		
3	70-32150	00000	00000		
4	70-32149	00000	00000		
5	70-31481	00000	00000		
6	xxxxx	xxxxx	xxxxx		

PARTS LIST 

  INDICATES FRU LEVEL PARTS.

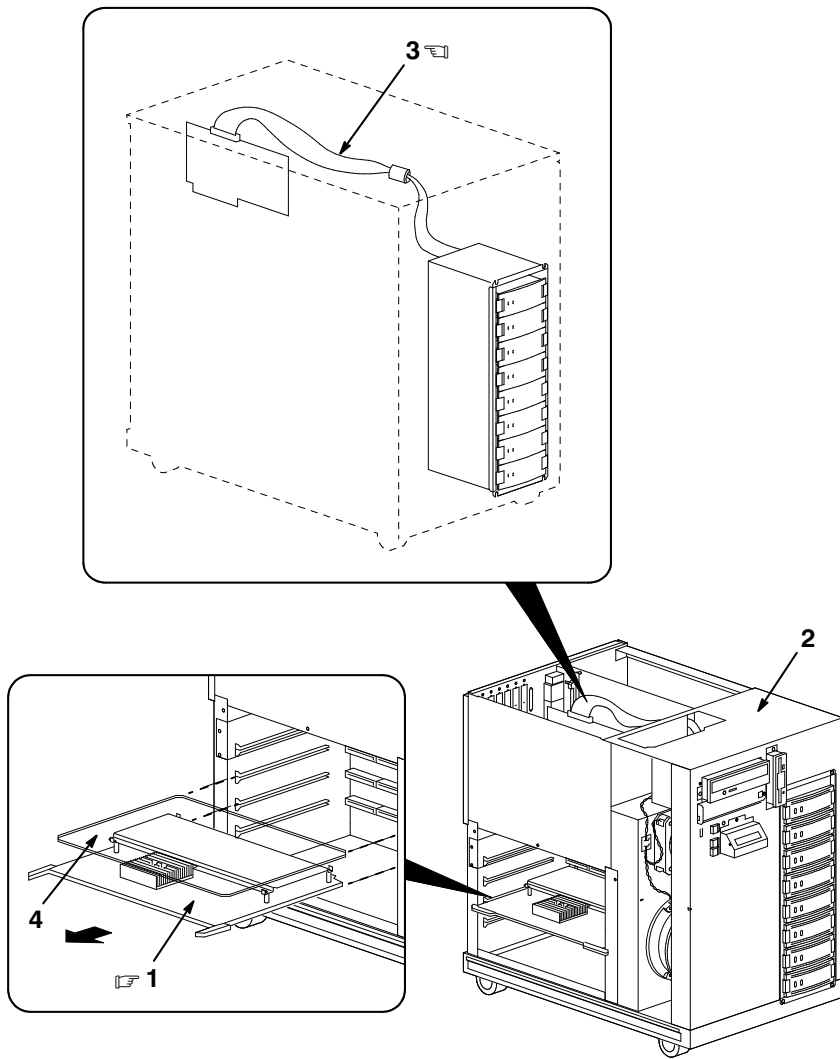


IP-SY400-01

Figure 1. AlphaServer 2000 Series (Sheet 1 of 2)

PARTS LIST 

  INDICATES FRU LEVEL PARTS.



IP-SY400-01A

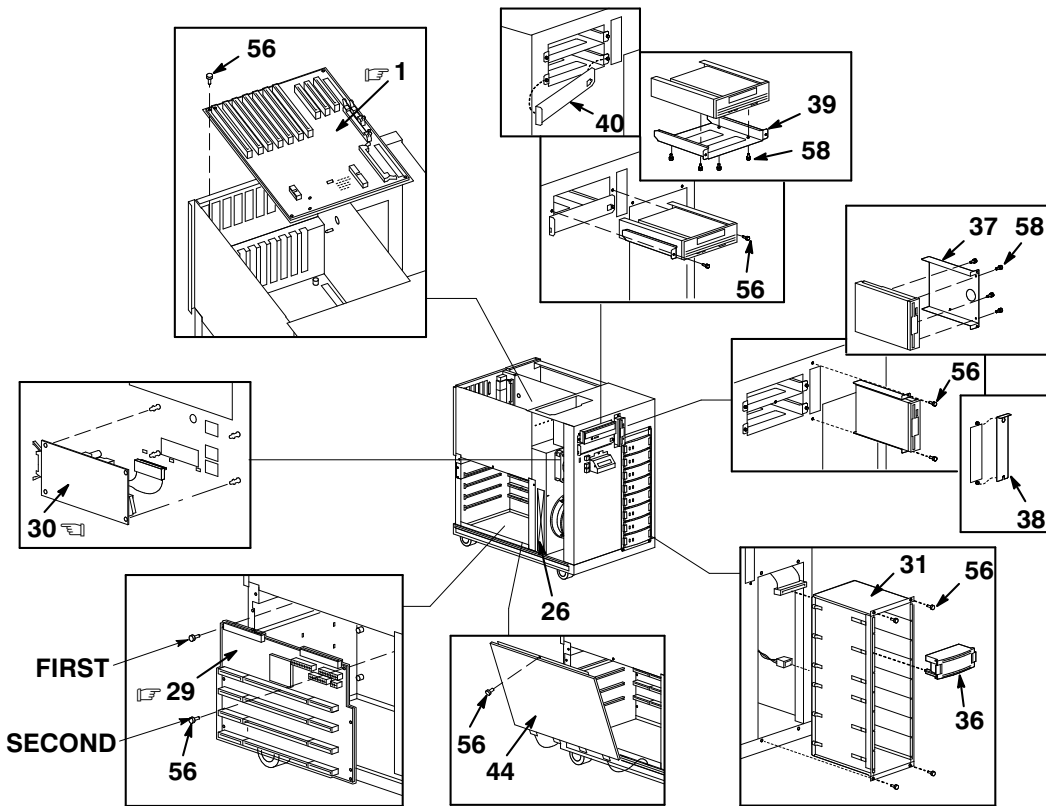
Figure 1. AlphaServer 2000 Series (Sheet 2 of 2)

FIG. & ITEM NO.	DESCRIPTION	DIGITAL PART NO.	ECO CUT-IN	USED ON CODE	REF FIG NO.
1-	AlphaServer 2000 Series				
A	AlphaServer 2000 MODEL 4/200 (Digital UNIX)	450AD-A9		A	
A	AlphaServer 2000 MODEL 4/200 (NT)	450ND-A9		A	
A	AlphaServer 2000 MODEL 4/200	450XD-A9		A	
A	AlphaServer 2000 MODEL 4/200 (VMS)	450YD-A9		A	
B	AlphaServer 2000 MODEL 4/233 (Digital UNIX)	455AD-A9		B	
B	AlphaServer 2000 MODEL 4/233 (NT)	455ND-A9		B	
B	AlphaServer 2000 MODEL 4/233	455XD-A9		B	
B	AlphaServer 2000 MODEL 4/233 (VMS)	455YD-A9		B	
C	AlphaServer 2000 MODEL 4/275 (Digital UNIX)	460AD-A9		C	
C	AlphaServer 2000 MODEL 4/275 (NT)	460ND-A9		C	
C	AlphaServer 2000 MODEL 4/275	460XD-A9		C	
C	AlphaServer 2000 MODEL 4/275 (VMS)	460YD-A9		C	
D	AlphaServer 2000 MODEL 5/250 (Digital UNIX)	470AD-A9		D	
D	AlphaServer 2000 MODEL 5/250 (NT)	470ND-A9		D	
D	AlphaServer 2000 MODEL 5/250	470XD-A9		D	
D	AlphaServer 2000 MODEL 5/250 (VMS)	470YD-A9		D	
E	AlphaServer 2000 MODEL 5/300 (Digital UNIX)	480AD-A9		E	
E	AlphaServer 2000 MODEL 5/300 (NT)	480ND-A9		E	
E	AlphaServer 2000 MODEL 5/300	480XD-A9		E	
E	AlphaServer 2000 MODEL 5/300 (VMS)	480YD-A9		E	
1	*Module, AXP 2000 CPU, EV4-S Chip	B2020-AA		A	
1	*Module, AXP 2000 CPU, 233 MHz, 1 MB Chip	B2020-BA		B	
1	*Module, AXP 2000 CPU, EV4.5 Chip	B2024-AA		C	
1	*Module, AXP 2000 CPU, EV5 Chip	B2040-AB		D	
1	*Module, AXP 2000 CPU, EV5, 300 MHz Chip	B2040-BA		E	
2	*ENCLOSURE ASSEMBLY, BA720	BA720-A9			2
2A	**Key, w/Black Plastic Cover	12-36437-03			
3	*Cable, Flat 50 Cond.	17-03960-02			
3	*Cable, Flat 68 Cond.	17-04088-01			
4	*Filler, CBUS Module Airflow	74-48265-01			
5	*Door, Access, 2000 4/200	74-49099-01		A	
	*Door, Access, 2000 4/233	74-49099-04		B	
	*Door, Access, 2000 4/275	74-49099-05		C	
	*Door, Access, 2000 5/250	74-49099-06		D	
	*Door, Access, 2000 5/300	74-49099-07		E	

FIG. & ITEM NO.	DESCRIPTION	DIGITAL PART NO.	ECO CUT-IN	USED ON CODE	REF FIG NO.
1-	AlphaServer 2000 Series (continued)				
6	*FRONT DOOR ASSEMBLY	70-32149-01			4
7	*Documentation, "Quick Installation Card" (Not Shown)	EK-400MP-IN			
	*Documentation, "Owner's Guide" (Not Shown)	EK-400MP-OP			
	*Documentation, "Service Guide" (Not Shown)	EK-KN450-SV			
8	*Kit, EISA System Configuration (Not Shown)	QC-01YAA-HC			
	INTERNAL STORAGE				6

PARTS LIST 

  INDICATES FRU LEVEL PARTS.

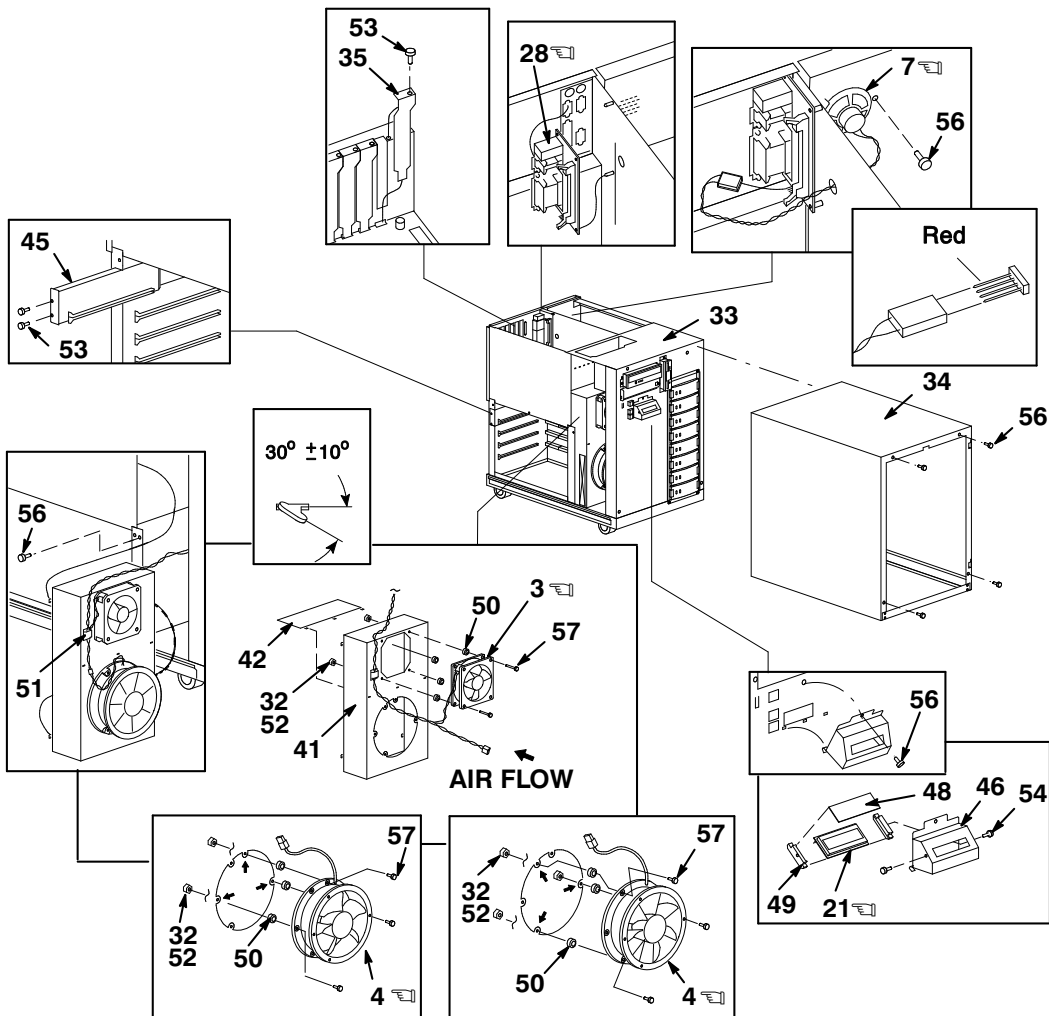


IP-BA720-01

Figure 2. Enclosure Assembly, BA720 (Sheet 1 of 5)

PARTS LIST 

  INDICATES FRU LEVEL PARTS.

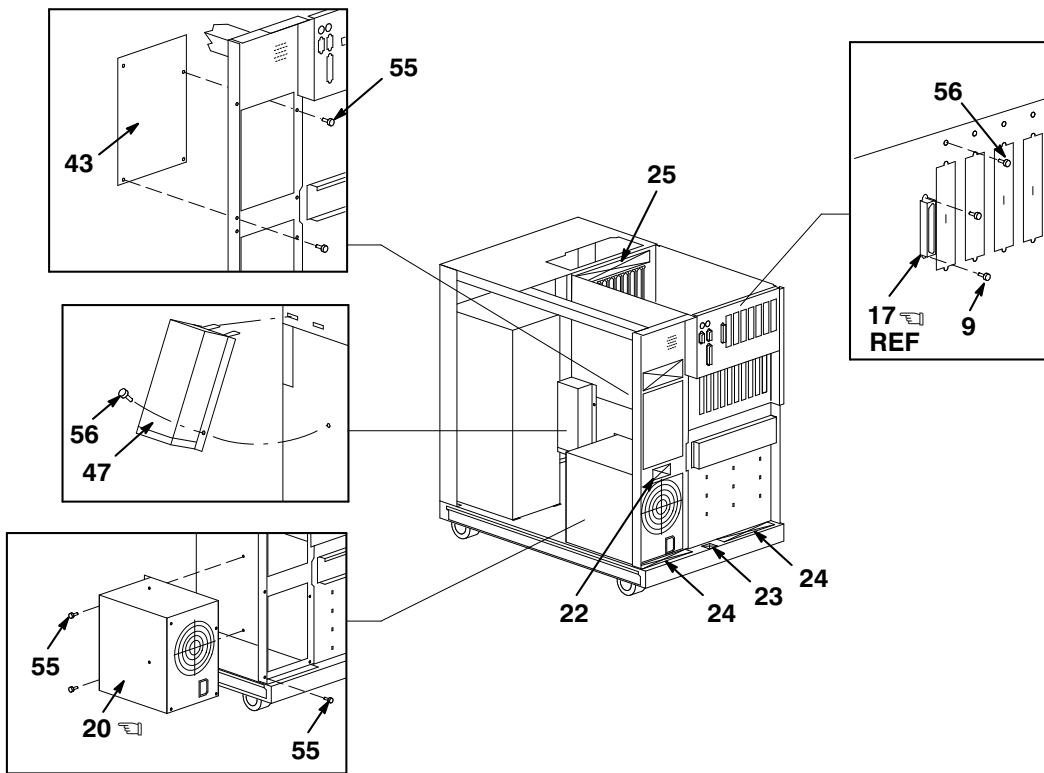


IP-BA720-02

Figure 2. Enclosure Assembly, BA720 (Sheet 2 of 5)

PARTS LIST 

  INDICATES FRU LEVEL PARTS.

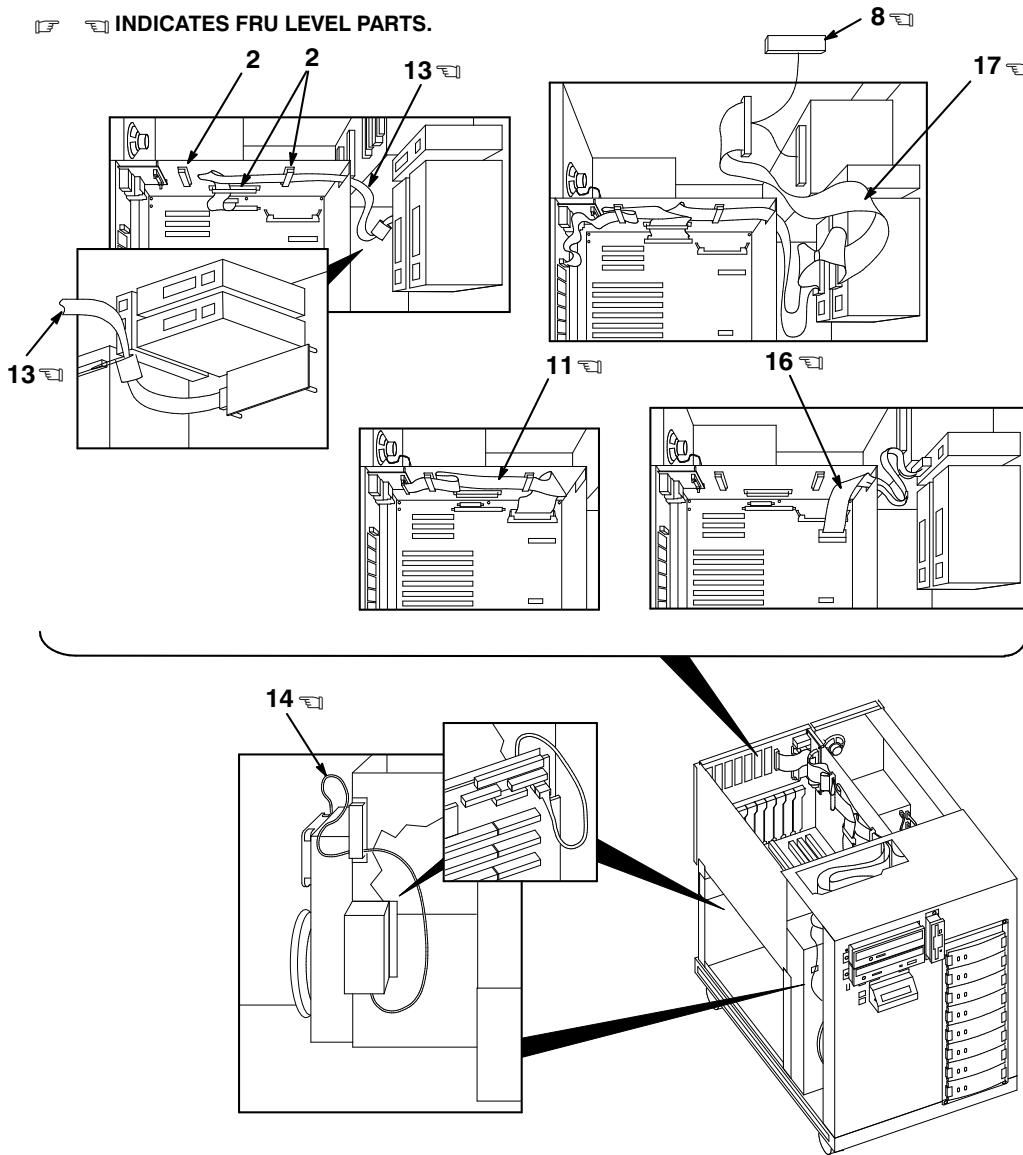


IP-BA720-03

Figure 2. Enclosure Assembly, BA720 (Sheet 3 of 5)

PARTS LIST 

  INDICATES FRU LEVEL PARTS.

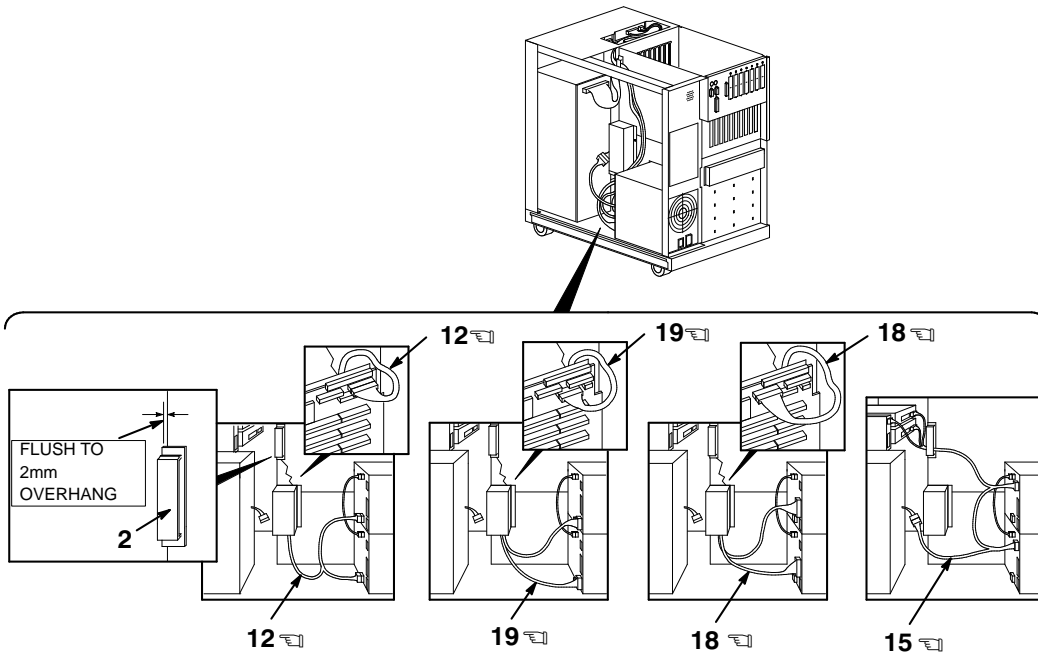


IP-BA720-04

Figure 2. Enclosure Assembly, BA720 (Sheet 4 of 5)

PARTS LIST 

  INDICATES FRU LEVEL PARTS.



IP-BA720-05

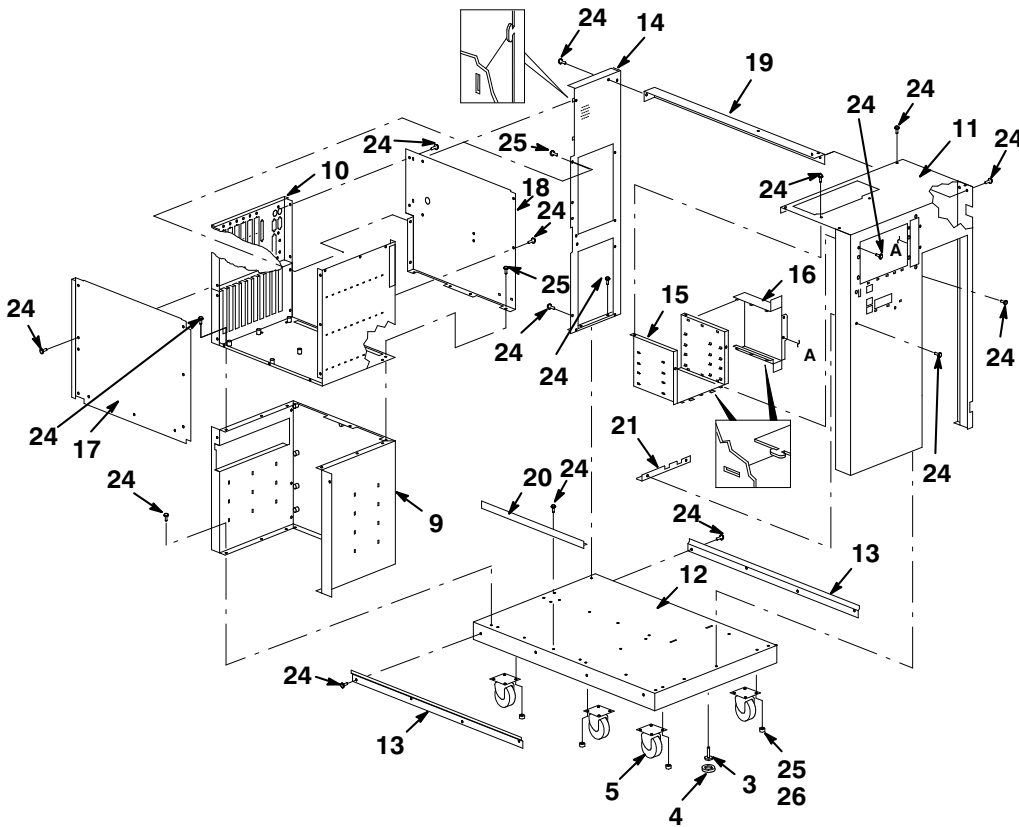
Figure 2. Enclosure Assembly, BA720 (Sheet 5 of 5)

FIG. & ITEM NO.	DESCRIPTION	DIGITAL PART NO. ^A	ECO CUT-IN BA720 0000	USED ON CODE	REF FIG NO.
2- A	ENCLOSURE ASSEMBLY, BA720	BA720-A9			1
1	*Module, Standard I/O, PCI-EISA	B2111-AA			
2	*Clip, Flat Cable (Adhesive Backed)	12-15843-02			
3	*Fan, Tube Axial, 4 1/2 Inch	12-23609-09			
4	*Fan, 6 3/4 Inch 24V	12-36202-03			
5	*Key, w/Black Plastic Cover	12-36437-03			
6	*Terminator, SCSI, 50 Pos. (Not Shown)	12-37004-04			
7	*Speaker w/4 Pos Connector, Wire Assembly	12-39309-01			
8	*Terminator, SCSI, Feed-Thru	12-41296-01			
9	*Screw, Mach Pan Hd No. 4-40 x 1/4	12-41427-01			
	POWER CORDS (Not Shown)				
10	Power Cord (U.S., Japan, Canada) (BN09A-1K)	17-00083-09			
	Power Cord (Australia, New Zealand) (BN19H-2E)	17-00198-14			
	Power Cord (Austria, Belgium, France, Germany, Finland, Holland, Norway, Sweden, Portugal, Spain) (BN19C-2E)	17-00199-21			
	Power Cord (U.K., Ireland) (BN19A-2E)	17-00210-15			
	Power Cord (Switzerland) (BN19E-2E)	17-00210-13			
	Power Cord (Denmark) (BN19K-2E)	17-00310-08			
	Power Cord (Italy) (BN19M-2E)	17-00364-18			
	Power Cord (India, South Africa) (BN19S-2E)	17-00456-16			
	Power Cord (Israel) (BN18L-2E)	17-00457-16			
11	*Cable, Flat 60 Cond.	17-02784-03			
12	*Harness, 15 Cond., PS Control/Misc. Power	17-03965-01			
13	*Cable, Flat 10 Cond., to OCP	17-03971-01			
14	*Harness, 6 Cond., to Fans	17-04083-01			
15	*Harness, 12 Cond. Power to Removables	17-04084-01			
16	*Cable, Flat 34 Cond., Floppy Bus	17-04085-01			
17	*Cable, Flat 50 Cond., SCSI Removables	17-04086-01			
18	*Harness, 24 Cond., +5V Power	17-04087-01			
19	*Harness, 20 Cond., +3.3V Power	17-04110-01			
20	*Power Supply, 400 Watts	30-41976-01			
21	*LED, LCD Backlite	30-43049-01			
22	*Label, "Hazard Caution Blk/Yellow"	36-24385-01			
23	*Label, "CE Mark"	36-36842-01			
24	*Label, Regulatory, Blank	36-42029-01			
25	*Label, "EISA/PCI Slot ID w/Warning"	36-43422-01			
26	*Label, "CBUS Slot ID w/Warning"	36-43423-01			
27	*Package Assembly (Not Shown)	37-01538-01			
28	*Module, Remote I/O Panel	54-23151-01			
29	*Module, Mother Board	54-23294-01			

FIG. & ITEM NO.	DESCRIPTION	DEC PART NO. ^A	ECO CUT-IN BA720 0000	USED ON CODE	REF FIG NO.
2- A	ENLOSURE ASSEMBLY, BA720 (Continued)	BA720-A9			
30	*Module, OCP	54-23765-01			
31	*StorageWorks, 16 BIT/8 BIT SCSI (BA35E-SA)	70-31481-01			5
32	*Nut, Kep No. M3 x 5.5mm	90-40203-01			
33	*CHASSIS ASSEMBLY, RIVETED, BA720	70-32150-01			3
34	*U-Cover Assembly	70-32151-01			
35	*Cover, Chassis Window	74-42440-01			
36	*Bezel, Blank, StorageWorks	74-45644-01			
37	*Tray, 3 1/2 Inch Storage	74-47878-01			
38	*Blank, 3 1/2 Inch Storage	74-47880-01			
39	*Tray, 3 1/2 Inch Storage	74-47878-01			
40	*Blank, 5 1/4 Inch Removable, Half Height	74-49002-02			
41	*Fan, Box	74-49115-01			
42	*Divide, Fan Box	74-49116-01			
43	*Blank, Power Supply	74-49117-01			
44	*Cover, CBUS	74-49118-01			
45	*Filler, Top CBUS Slot, Memory	74-49119-01			
46	*Bracket, LCD Nose	74-49312-01			
47	*Guide, Wave	74-49313-01			
48	*Lens, LCD	74-49463-01			
49	*Clip, LCD Lens	74-49464-01			
50	*Grommet, Round, Rubber	90-07014-00			
51	*Clip, Cable Harness	90-08340-00			
52	*Adhesive, Loctite	90-09321-00			
53	*Screw, Sems Pan Hd No. 6-32 x 5/16	90-09701-00			
54	*Screw, Thrl No. 4 x 1/4	90-09800-24			
55	*Screw, Sems Pan Hd No. M3.5 x 8mm	90-09984-29			
56	*Screw, Thrl Pan Hd No. M4 x 10mm	90-40005-06			
57	*Screw, Mach Pan Hd No. M3 x 16mm	90-40006-10			
58	*Screw, Mach M3, Flat 6mm	90-40122-03			

PARTS LIST 

 INDICATES FRU LEVEL PARTS.

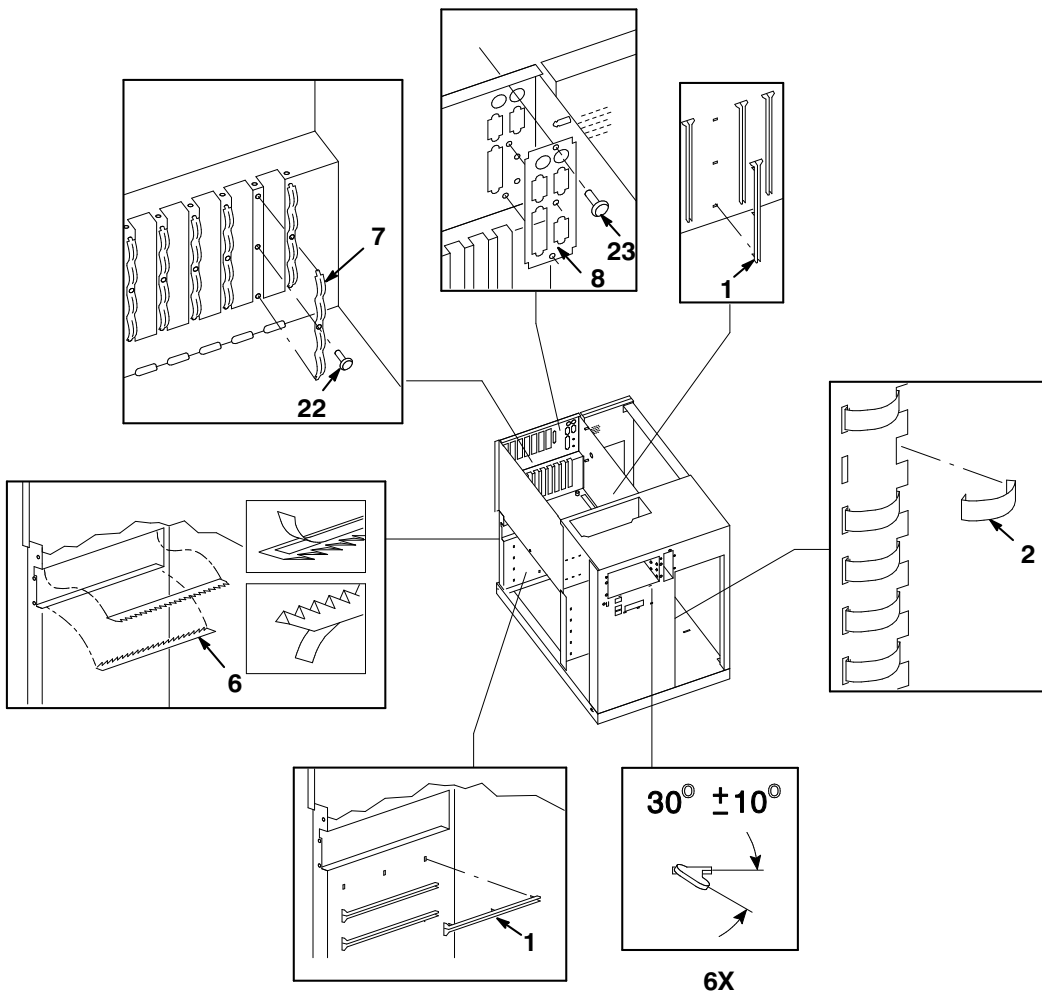


IP-7032150-01

Figure 3. Chassis Assembly, Riveted, BA720 (Sheet 1 of 2)

PARTS LIST 

  INDICATES FRU LEVEL PARTS.



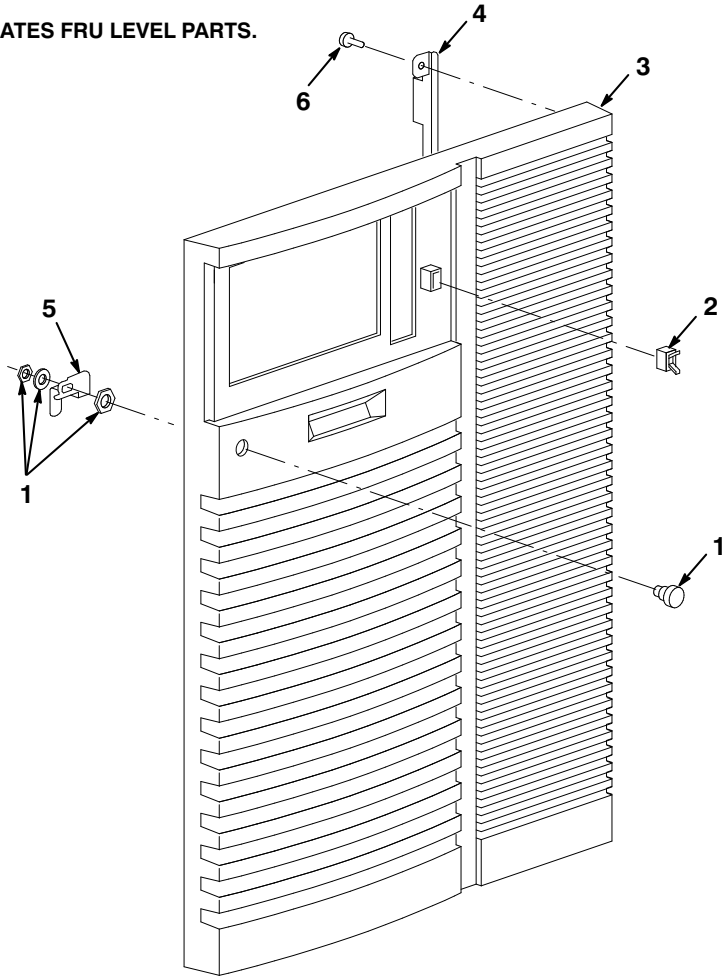
IP-7032150-02

Figure 3. Chassis Assembly, Riveted, BA720 (Sheet 2 of 2)

FIG. & ITEM NO.	DESCRIPTION	DIGITAL PART NO. ^A	ECO CUT-IN 7032150 0000	USED ON CODE	REF FIG NO.
3- A	CHASSIS ASSEMBLY, RIVETED, BA720	70-32150-01			5
1	*Guide, Nylon Card	12-31405-00			
2	*Finger, Non-Snag Grounding	12-26922-01			
3	*Foot, Level	12-34730-02			
4	*Cap, Black Leveler Foot	12-34730-03			
5	*Caster	12-41898-02			
6	*Shield, EMI/RFI Finger Contact	12-42798-01			
7	*Ground, Window	74-46490-01			
8	*Shield, I/O Panel	74-47659-01			
9	*Card Cage, CBUS	74-49103-01			
10	*Card Cage, I/O	74-49104-01			
11	*Chassis, Front	74-49105-01			
12	*Chassis, Bottom	74-49106-01			
13	*Slide, Chassis Bottom	74-49107-01			
14	*Chassis, Rear	74-49108-01			
15	*Cage, 5 1/4 Inch Drives	74-49109-01			
16	*Cage, 3 1/2 Inch Drives	74-49110-01			
17	*Panel, I/O Card Cage (Left)	74-49111-01			
18	*Panel, I/O Card Cage (Right)	74-49112-01			
19	*Tie, Front to Rear	74-49113-01			
20	*Bracket, Gasket, CBUS Cage	74-49114-01			
21	*Bracket, Drip Lip	74-49778-01			
22	*Eyelet, Rolled	90-00024-09			
23	*Rivet, Blind Dome	90-00030-80			
24	*Rivet, Repetition Clinch .156 Dia.	90-00052-07			
25	*Rivet, Repetition Clinch .156 Dia.	90-00052-08			
26	*Adhesive, Loctite	90-09321-00			
27	*Nut, Flange, Hex	90-40003-04			

FIG. & ITEM NO.	DESCRIPTION	DIGITAL ^A PART NO.	ECO CUT-IN 7032149 00000	USED ON CODE	REF FIG NO.
4- A	FRONT DOOR ASSEMBLY	70-32149-01			1
1	*Lock, Key	12-36437-01			
2	*Latch, Mini Push-Push	12-41662-01			
3	*Door, Front	74-49100-01			
4	*Hinge, Door	74-49101-01			
5	*Pawl	74-49102-01			
6	*Screw, Thrl Pan Hd No. M3.5 x 8mm	90-00056-11			

INDICATES FRU LEVEL PARTS.

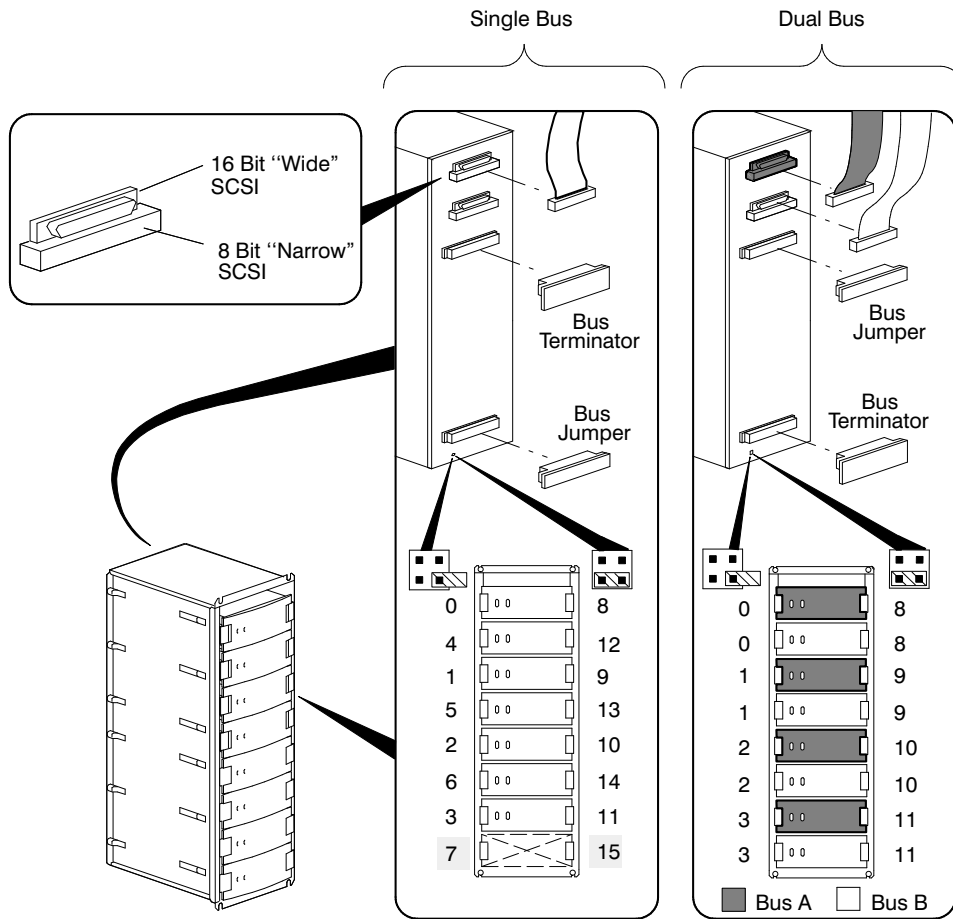


IP-7032149-01

Figure 4. Front Door Assembly

PARTS LIST 

  INDICATES FRU LEVEL PARTS.

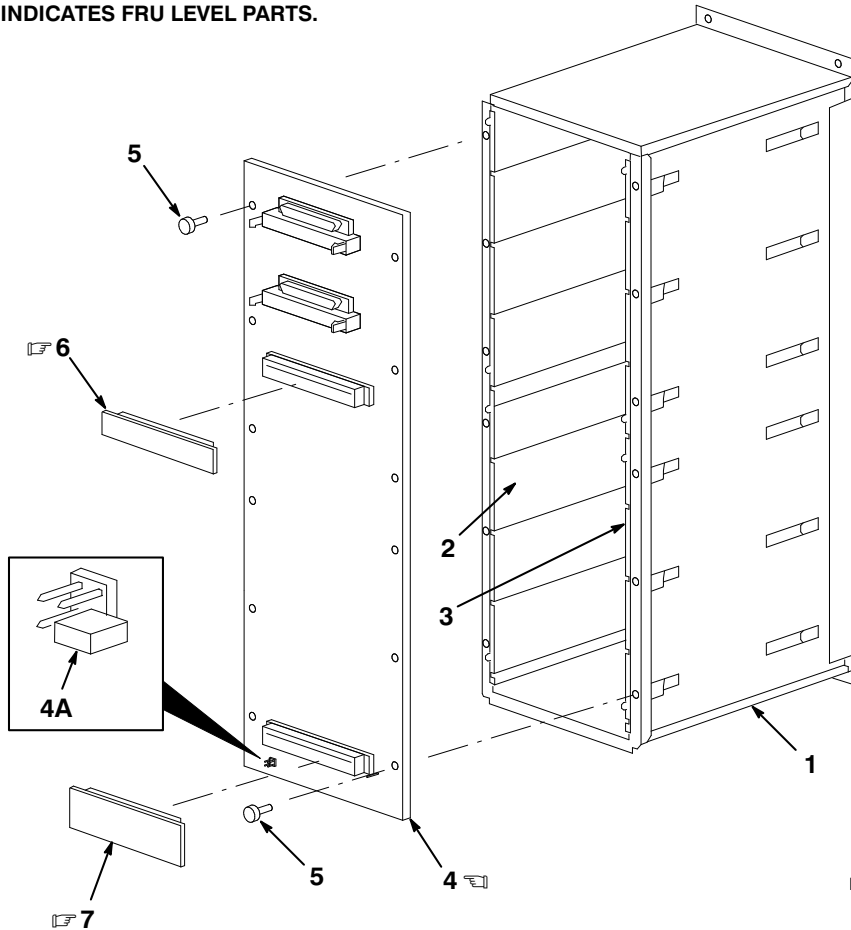


IP-SY450-06

Figure 5. StorageWorks, 16 Bit/8 Bit SCSI (Sheet 1 of 2)

FIG. & ITEM NO.	DESCRIPTION	DIGITAL PART NO. ^A	ECO CUT-IN 7031481 00000	USED ON CODE	REF FIG NO.
5- A	StorageWorks, 16 BIT/8 BIT SCSI (BA35E-SA)	70-31481-01			2
1	*Weldment, Chassis, 2 Piece for 16 Bit SCSI	74-48653-01			
2	*Rail, SBB (Right)	74-47028-01			
3	*Rail, SBB (Left)	74-47028-02			
4	*MODULE, SBL SPLIT	54-23343-01			
4A	**Jumper, 2 Position ID	12-18783-00			
5	*Screw, Truss Hd No. 6-20 x 3/4	90-11370-01			
6	*Terminator, 16 Bit SCSI Bus, Module	54-23376-01			
7	*Jumper, 16 Bit SCSI Bus, Module	54-23378-01			

INDICATES FRU LEVEL PARTS.

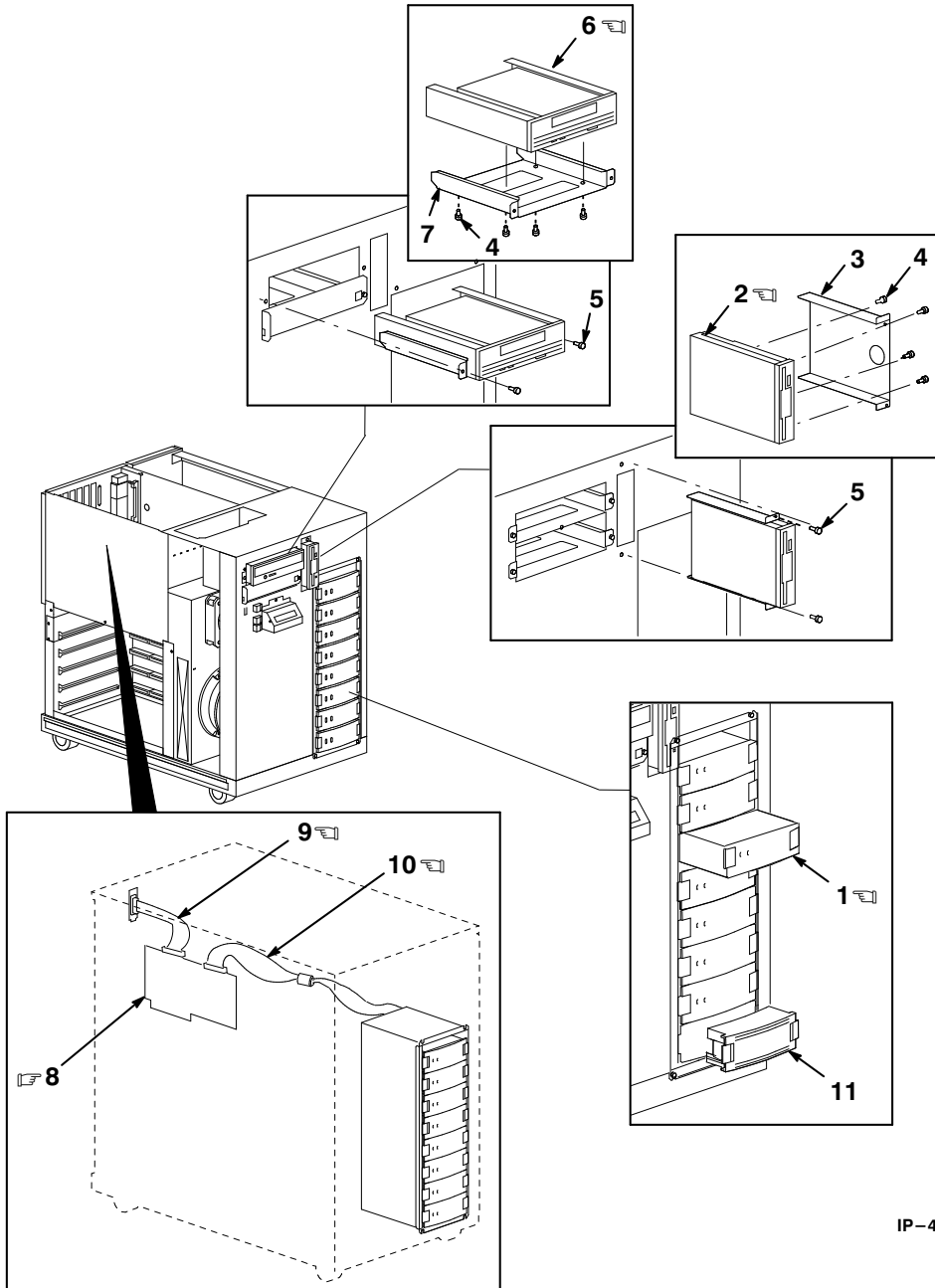


IP-SY450-06A

Figure 5. StorageWorks, 16 Bit/8 Bit SCSI (Sheet 2 of 2)

PARTS LIST

  INDICATES FRU LEVEL PARTS.



IP-400-F6-01

Figure 6. Internal Storage

FIG. & ITEM NO.	DESCRIPTION	DIGITAL PART NO.	ECO CUT-IN	USED ON CODE	REF FIG NO.
6-	INTERNAL STORAGE	N/A			1
	StorageWorks DRIVE ASSEMBLIES				
1	Disk Drive, 1 GB, 8 Bit	RZ26*-VA	} * See Latest Version Of Options Catalog For Supported Drives.		
	Disk Drive, 1 GB, 16 Bit	RZ26*-VW			
	Disk Drive, 2.1 GB, 8 Bit	RZ28*-VA			
	Disk Drive, 2.1 GB, 16 Bit	RZ28*-VW			
	Disk Drive, 4 GB, 8 Bit	RZ29*-VA			
	Disk Drive, 4 GB, 16 Bit	RZ29*-VW			
	FLOPPY ASSEMBLY				
2	Floppy Drive (3 1/2 Inch)	RX26-AA			
3	Tray, 3 1/2 Inch Storage	74-47878-01			
4	Screw, Mach Flat Hd No. M3 x 6 mm	90-40122-03			
5	Screw, Thrl M4, Pan 10 mm	90-40005-06			
	HALF HEIGHT DEVICES				
6	CD-ROM (2X)	RRD43-CA			
	CD-ROM (2.2X)	RRD44-CA			
	CD-ROM (4X)	RRD45-AA			
	Tape Drive, DAT, 4 GB	TLZ06-LG			
	Tape Drive, DAT, 8 GB	TLZ07-LG			
	Tape Drive, QIC, 2 GB	TZK11-LG			
7	Tray, Storage (For Removables)	74-48179-01			
	CONTROLLERS				
8	Controller, Raid, Single Ended, Narrow, 1 Port, EISA bus	KZESC-AA			
9	Cable, Internal, 50 Cond., (CK-SWXCR-AA)	17-03998-01			
10	Cable, Internal, 50 Cond., (BC25R-3B)	17-03948-01			
8	Controller, Raid, Single Ended, Narrow, 3 Ports, EISA bus	KZESC-BA			
9	Cable, Internal, 50 Cond., (CK-SWXCR-AA)	17-03998-01			
10	Cable, Internal, 50 Cond., (BC25R-3B)	17-03948-01			
8	Controller, SCSI, Single Ended, Narrow, 1 Port, EISA bus	PB2HA-SA			
10	Cable, Internal, 50 Cond., (BC25R-3B)	17-03948-01			
8	Controller, SCSI, Single Ended, Narrow, 1 Port, PCI bus	KZPAA-AA			
10	Cable, Internal, 50 Cond., (BC25R-3B)	17-03948-01			
8	Controller, SCSI, Differential, Wide, 1 Port, PCI bus	KZPSA-BB			

FIG. & ITEM NO.	DESCRIPTION	DIGITAL PART NO.	ECO CUT-IN	USED ON CODE	REF FIG NO.
6-	INTERNAL STORAGE (continued)	N/A			1
8	Controller, Raid, Single Ended, Wide, 1 Port, PCI bus	KZPSC-AA			
10	Cable, Internal, 68 Cond., (BC25T-3L)	17-04180-01			
8	Controller, Raid, Single Ended, Wide, 3 Ports, PCI bus	KZPSC-BA			
9	Cable, Internal, 68 Cond., (BN31K-0E)	17-04108-01			
10	Cable, Internal, 68 Cond., (BC25T-3L)	17-04180-01			
8	Controller, SCSI, Single Ended, Wide, 1 Port, PCI bus, w/E-Net	KZPSM-AA			
9	Cable, Internal, 68 Cond., (BC25V-1H)	17-04179-01			
10	Cable, Internal, 68 Cond., (BC25T-3L)	17-04180-01			
8	Controller, SCSI, Single Ended, Wide, 1 Port, PCI bus	KZPBA-CA			
9	Cable, Internal, 68 Cond., (BC25V-1H)	17-04179-01			
10	Cable, Internal, 50 Cond., (BC25R-3B)	17-03948-01			
10	Cable, Internal, 68 Cond., (BC25T-3L)	17-04180-01			
8	Controller, SCSI, Differential, Wide, 1 Port, PCI bus	KZPBA-CB			
8	Controller, DSSI, EISA bus	KFESA-AA			
9	*Cable, Internal, 50 Cond.	17-03940-01			
8	Controller, DSSI, EISA bus	KFESB-AA			
9	*Cable, Internal, 50 Cond.	17-03940-01			
11	Bezel, Blank, StorageWorks	74-45644-01			

PART NUMBER/DESCRIPTION INDEX 

INDEX BY DIGITAL PART NUMBER
AlphaServer 2000 Series

PART NUMBER	DESCRIPTION	FIG.-ITEM NUMBER
12-15843-02	Clip, Flat Cable (Adhesive Backed)	2-2
12-18783-00	Jumper, 2 Position ID	5-4A
12-23609-09	Fan, Tube Axial, 4 1/2 Inch	2-3
12-26922-01	Finger, Non-Snag Grounding	3-2
12-31405-00	Guide, Nylon Card	3-1
12-34730-02	Foot, Level	3-3
12-34730-03	Cap, Black Leveler Foot	3-4
12-36202-03	Fan, 6 3/4 Inch 24V	2-4
12-36437-01	Lock, Key	4-1
12-36437-03	Key, w/Black Plastic Cover	1-2A, 2-5
12-37004-04	Terminator, SCSI, 50 Pos. (Not Shown)	2-6
12-39309-01	Speaker w/4 Pos Connector, Wire Assembly	2-7
12-41296-01	Terminator, SCSI, Feed-Thru	2-8
12-41427-01	Screw, Mach Pan Hd No. 4-40 x 1/4	2-9
12-41662-01	Latch, Mini Push-Push	4-2
12-41898-02	Caster	3-5
12-42798-01	Shield, EMI/RFI Finger Contact	3-6
17-00083-09	Power Cord (U.S., Japan, Canada) (BN09A-1K)	2-10
17-00198-14	Power Cord (Australia, New Zealand) (BN19H-2E)	2-10
17-00199-21	Power Cord (Austria, Belgium, France, Germany, Finland, Holland, Norway, Sweden, Portugal, Spain) (BN19C-2E)	2-10
17-00210-13	Power Cord (Switzerland) (BN19E-2E)	2-10
17-00210-15	Power Cord (U.K., Ireland) (BN19A-2E)	2-10
17-00310-08	Power Cord (Denmark) (BN19K-2E)	2-10
17-00364-18	Power Cord (Italy) (BN19M-2E)	2-10
17-00456-16	Power Cord (India, South Africa) (BN19S-2E)	2-10
17-00457-16	Power Cord (Israel) (BN18L-2E)	2-10
17-02784-03	Cable, Flat, 60 Cond.	2-11
17-03940-01	Cable, Internal, 50 Cond.	6-9
17-03948-01	Cable, Internal, 50 Cond., (BC25R-3B)	6-10
17-03960-02	Cable, Flat 50 Cond.	1-3
17-03965-01	Harness, 15 Cond., PS Control/Misc. Power	2-12
17-03971-01	Cable, Flat 10 Cond., to OCP	2-13
17-03998-01	Cable, Internal, 50 Cond., (CK-SWXCR-AA)	6-9
17-04083-01	Harness, 6 Cond., to Fans	2-14
17-04084-01	Harness, 12 Cond. Power to Removables	2-15
17-04085-01	Cable, Flat 34 Cond., Floppy Bus	2-16
17-04086-01	Cable, Flat 50 Cond., SCSI Removables	2-17
17-04087-01	Harness, 24 Cond., +5V Power	2-18
17-04088-01	Cable, Flat 68 Cond.	1-3
17-04108-01	Cable, Internal, 68 Cond., (BN31K-0E)	6-9
17-04110-01	Harness, 20 Cond., +3.3V Power	2-19
17-04179-01	Cable, Internal, 68 Cond., (BC25V-1H)	6-9
17-04180-01	Cable, Internal, 68 Cond., (BC25T-3L)	6-10
30-41976-01	Power Supply, 400 Watts	2-20
30-43049-01	LED, LCD Backlite	2-21
36-24385-01	Label, "Hazard Caution Blk/Yellow"	2-22
36-36842-01	Label, "CE Mark"	2-23
36-42029-01	Label, Regulatory, Blank	2-24
36-43422-01	Label, "EISA/PCI Slot ID w/Warning"	2-25

INDEX BY DIGITAL PART NUMBER
AlphaServer 2000 Series

PART NUMBER	DESCRIPTION	FIG.-ITEM NUMBER
36-43423-01	Label, "CBUS Slot ID w/Warning"	2-26
37-01538-01	Package Assembly (Not Shown)	2-27
450AD-A9	AlphaServer 2000 MODEL 4/200 (Digital UNIX)	1-A
450ND-A9	AlphaServer 2000 MODEL 4/200 (NT)	1-A
450XD-A9	AlphaServer 2000 MODEL 4/200	1-A
450YD-A9	AlphaServer 2000 MODEL 4/200 (VMS)	1-A
455AD-A9	AlphaServer 2000 MODEL 4/233 (Digital UNIX)	1-B
455ND-A9	AlphaServer 2000 MODEL 4/233 (NT)	1-B
455XD-A9	AlphaServer 2000 MODEL 4/233	1-B
455YD-A9	AlphaServer 2000 MODEL 4/233 (VMS)	1-B
460AD-A9	AlphaServer 2000 MODEL 4/275 (Digital UNIX)	1-C
460ND-A9	AlphaServer 2000 MODEL 4/275 (NT)	1-C
460XD-A9	AlphaServer 2000 MODEL 4/275	1-C
460YD-A9	AlphaServer 2000 MODEL 4/275 (VMS)	1-C
470AD-A9	AlphaServer 2000 MODEL 5/250 (Digital UNIX)	1-D
470ND-A9	AlphaServer 2000 MODEL 5/250 (NT)	1-D
470XD-A9	AlphaServer 2000 MODEL 5/250	1-D
470YD-A9	AlphaServer 2000 MODEL 5/250 (VMS)	1-D
480AD-A9	AlphaServer 2000 MODEL 5/300 (Digital UNIX)	1-E
480ND-A9	AlphaServer 2000 MODEL 5/300 (NT)	1-E
480XD-A9	AlphaServer 2000 MODEL 5/300	1-E
480YD-A9	AlphaServer 2000 MODEL 5/300 (VMS)	1-E
54-23151-01	Module, Remote I/O Panel	2-28
54-23294-01	Module, Mother Board	2-29
54-23343-01	MODULE, SBL SPLIT	5-4
54-23376-01	Terminator, 16 Bit SCSI Bus, Module	5-6
54-23378-01	Jumper, 16 Bit SCSI Bus, Module	5-7
54-23765-01	Module, OCP	2-30
70-31481-01	StorageWorks, 16 BIT/8 BIT SCSI (BA35E-SA)	2-31, 5-A
70-32149-01	FRONT DOOR ASSEMBLY	1-6, 4-A
70-32150-01	CHASSIS ASSEMBLY, RIVETED, BA720	2-33, 3-A
70-32151-01	U-Cover Assembly	2-34
74-42440-01	Cover, Chassis Window	2-35
74-45644-01	Bezel, Blank, StorageWorks	2-36, 6-11
74-46490-01	Ground, Window	3-7
74-47028-01	Rail, SBB (Right)	5-2
74-47028-02	Rail, SBB (Left)	5-3
74-47659-01	Shield, I/O Panel	3-8
74-47878-01	Tray, 3 1/2 Inch Storage	2-37, 2-39, 6-3
74-47880-01	Blank, 3 1/2 Inch Storage	2-38
74-48179-01	Tray, Storage (For Removables)	6-7
74-48265-01	Filler, CBUS Module Airflow	1-4
74-48653-01	Weldment, Chassis, 2 Piece for 16 Bit SCSI	5-1
74-49002-02	Blank, 5 1/4 Inch Removable, Half Height	2-40

INDEX BY DIGITAL PART NUMBER
AlphaServer 2000 Series

PART NUMBER	DESCRIPTION	FIG.-ITEM NUMBER
74-49099-01	Door, Access, 2000 4/200	1-5
74-49099-04	Door, Access, 2000 4/233	1-5
74-49099-05	Door, Access, 2000 4/275	1-5
74-49099-06	Door, Access, 2000 5/250	1-5
74-49099-07	Door, Access, 2000 5/300	1-5
74-49100-01	Door, Front	4-3
74-49101-01	Hinge, Door	4-4
74-49102-01	Pawl	4-5
74-49103-01	Card Cage, CBUS	3-9
74-49104-01	Card Cage, I/O	3-10
74-49105-01	Chassis, Front	3-11
74-49106-01	Chassis, Bottom	3-12
74-49107-01	Slide, Chassis Bottom	3-13
74-49108-01	Chassis, Rear	3-14
74-49109-01	Cage, 5 1/4 Inch Drives	3-15
74-49110-01	Cage, 3 1/2 Inch Drives	3-16
74-49111-01	Panel, I/O Card Cage (Left)	3-17
74-49112-01	Panel, I/O Card Cage (Right)	3-18
74-49113-01	Tie, Front to Rear	3-19
74-49114-01	Bracket, Gasket, CBUS Cage	3-20
74-49115-01	Fan, Box	2-41
74-49116-01	Divide, Fan Box	2-42
74-49117-01	Blank, Power Supply	2-43
74-49118-01	Cover, CBUS	2-44
74-49119-01	Filler, Top CBUS Slot, Memory	2-45
74-49312-01	Bracket, LCD Nose	2-46
74-49313-01	Guide, Wave	2-47
74-49463-01	Lens, LCD	2-48
74-49464-01	Clip, LCD Lens	2-49
74-49778-01	Bracket, Drip Lip	3-21
90-00024-09	Eyelet, Rolled	3-22
90-00030-80	Rivet, Blind Dome	3-23
90-00052-07	Rivet, Repetition Clinch .156 Dia.	3-24
90-00052-08	Rivet, Repetition Clinch .156 Dia.	3-25
90-00056-11	Screw, Thrl Pan Hd No. M3.5 x 8mm	4-6
90-07014-00	Grommet, Round, Rubber	2-50
90-08340-00	Clip, Cable Harness	2-51
90-09321-00	Adhesive, Loctite	2-52, 3-26
90-09701-00	Screw, Sems Pan Hd No. 6-32 x 5/16	2-53
90-09800-24	Screw, Thrl No. 4 x 1/4	2-54
90-09984-29	Screw, Sems Pan Hd No. M3.5 x 8mm	2-55
90-11370-01	Screw, Truss Hd No. 6-20 x 3/4	5-5
90-40003-04	Nut, Flange, Hex	3-27
90-40005-06	Screw, Thrl M4, Pan 10 mm	6-5
90-40005-06	Screw, Thrl Pan Hd No. M4 x 10mm	2-56
90-40006-10	Screw, Mach Pan Hd No. M3 x 16mm	2-57
90-40122-03	Screw, Mach M3, Flat 6 mm	2-58, 6-4
90-40203-01	Nut, Kep No. M3 x 5.5mm	2-32

INDEX BY DIGITAL PART NUMBER
AlphaServer 2000 Series

PART NUMBER	DESCRIPTION	FIG.-ITEM NUMBER
B2020-AA	Module, AXP 2000 CPU, EV4-S Chip	1-1
B2020-BA	Module, AXP 2000 CPU, 233 MHz, 1 MB Chip	1-1
B2024-AA	Module, AXP 2000 CPU, EV4.5 Chip	1-1
B2040-AB	Module, AXP 2000 CPU, EV5 Chip	1-1
B2040-BA	Module, AXP 2000 CPU, EV5, 300 MHz Chip	1-1
B2111-AA	Module, Standard I/O, PCI-EISA	2-1
BA720-A9	ENCLOSURE ASSEMBLY, BA720	1-2, 2-A
EK-400MP-IN	Documentation, "Quick Installation Card" (Not Shown)	1-7
EK-400MP-OP	Documentation, "Owner's Guide" (Not Shown)	1-7
EK-KN450-SV	Documentation, "Service Guide" (Not Shown)	1-7
KFESA-AA	Controller, DSSI, EISA bus	6-8
KFESB-AA	Controller, DSSI, EISA bus	6-8
KZESC-AA	Controller, Raid, Single Ended, Narrow, 1 Port, EISA bus	6-8
KZESC-BA	Controller, Raid, Single Ended, Narrow, 3 Ports, EISA bus	6-8
KZPAA-AA	Controller, SCSI, Single Ended, Narrow, 1 Port, PCI bus	6-8
KZPBA-CA	Controller, SCSI, Single Ended, Wide, 1 Port, PCI bus	6-8
KZPBA-CB	Controller, SCSI, Differential, Wide, 1 Port, PCI bus	6-8
KZPSA-BB	Controller, SCSI, Differential, Wide, 1 Port, PCI bus	6-8
KZPSC-AA	Controller, Raid, Single Ended, Wide, 1 Port, PCI bus	6-8
KZPSC-BA	Controller, Raid, Single Ended, Wide, 3 Ports, PCI bus	6-8
KZPSM-AA	Controller, SCSI, Single Ended, Wide, 1 Port, PCI bus, w/E-Net	6-8
PB2HA-SA	Controller, SCSI, Single Ended, Narrow, 1 Port, EISA bus	6-8
QC-01YAA-HC	Kit, EISA System Configuration (Not Shown)	1-8
RRD43-CA	CD-ROM (2X)	6-6
RRD44-CA	CD-ROM (2.2X)	6-6
RRD45-AA	CD-ROM (4X)	6-6
RX26-AA	Floppy Drive (3 1/2 Inch)	6-2
RZ26*-VA	Disk Drive, 1 GB, 8 Bit	6-1
RZ26*-VW	Disk Drive, 1 GB, 16 Bit	6-1
RZ28*-VA	Disk Drive, 2.1 GB, 8 Bit	6-1
RZ28*-VW	Disk Drive, 2.1 GB, 16 Bit	6-1
RZ29*-VA	Disk Drive, 4 GB, 8 Bit	6-1
RZ29*-VW	Disk Drive, 4 GB, 16 Bit	6-1
TLZ06-LG	Tape Drive, DAT, 4 GB	6-6
TLZ07-LG	Tape Drive, DAT, 8 GB	6-6
TZK11-LG	Tape Drive, QIC, 2 GB	6-6

INDEX BY DIGITAL PART DESCRIPTION
AlphaServer 2000 Series

DESCRIPTION	PART NUMBER	FIG.-ITEM NUMBER
Adhesive, Loctite	90-09321-00	2-52, 3-26
AlphaServer 2000 MODEL 4/200	450XD-A9	1-A
AlphaServer 2000 MODEL 4/200 (Digital UNIX)	450AD-A9	1-A
AlphaServer 2000 MODEL 4/200 (NT)	450ND-A9	1-A
AlphaServer 2000 MODEL 4/200 (VMS)	450YD-A9	1-A
AlphaServer 2000 MODEL 4/233	455XD-A9	1-B
AlphaServer 2000 MODEL 4/233 (Digital UNIX)	455AD-A9	1-B
AlphaServer 2000 MODEL 4/233 (NT)	455ND-A9	1-B
AlphaServer 2000 MODEL 4/233 (VMS)	455YD-A9	1-B
AlphaServer 2000 MODEL 4/275	460XD-A9	1-C
AlphaServer 2000 MODEL 4/275 (Digital UNIX)	460AD-A9	1-C
AlphaServer 2000 MODEL 4/275 (NT)	460ND-A9	1-C
AlphaServer 2000 MODEL 4/275 (VMS)	460YD-A9	1-C
AlphaServer 2000 MODEL 5/250	470XD-A9	1-D
AlphaServer 2000 MODEL 5/250 (Digital UNIX)	470AD-A9	1-D
AlphaServer 2000 MODEL 5/250 (NT)	470ND-A9	1-D
AlphaServer 2000 MODEL 5/250 (VMS)	470YD-A9	1-D
AlphaServer 2000 MODEL 5/300	480XD-A9	1-E
AlphaServer 2000 MODEL 5/300 (Digital UNIX)	480AD-A9	1-E
AlphaServer 2000 MODEL 5/300 (NT)	480ND-A9	1-E
AlphaServer 2000 MODEL 5/300 (VMS)	480YD-A9	1-E
Bezel, Blank, StorageWorks	74-45644-01	2-36, 6-11
Blank, 3 1/2 Inch Storage	74-47880-01	2-38
Blank, 5 1/4 Inch Removable, Half Height	74-49002-02	2-40
Blank, Power Supply	74-49117-01	2-43
Bracket, Drip Lip	74-49778-01	3-21
Bracket, Gasket, CBUS Cage	74-49114-01	3-20
Bracket, LCD Nose	74-49312-01	2-46
Cable, Flat 10 Cond., to OCP	17-03971-01	2-13
Cable, Flat 34 Cond., Floppy Bus	17-04085-01	2-16
Cable, Flat 50 Cond.	17-03960-02	1-3
Cable, Flat 50 Cond., SCSI Removables	17-04086-01	2-17
Cable, Flat 60 Cond.	17-02784-03	2-11
Cable, Flat 68 Cond.	17-04088-01	1-3
Cable, Internal, 50 Cond.	17-03940-01	6-9
Cable, Internal, 50 Cond., (BC25R-3B)	17-03948-01	6-10
Cable, Internal, 50 Cond., (CK-SWXCR-AA)	17-03998-01	6-9
Cable, Internal, 68 Cond., (BC25T-3L)	17-04180-01	6-10
Cable, Internal, 68 Cond., (BC25V-1H)	17-04179-01	6-9
Cable, Internal, 68 Cond., (BN31K-0E)	17-04108-01	6-9
Cage, 3 1/2 Inch Drives	74-49110-01	3-16
Cage, 5 1/4 Inch Drives	74-49109-01	3-15
Cap, Black Leveler Foot	12-34730-03	3-4
Card Cage, CBUS	74-49103-01	3-9
Card Cage, I/O	74-49104-01	3-10
Caster	12-41898-02	3-5
CD-ROM (2.2X)	RRD44-CA	6-6
CD-ROM (2X)	RRD43-CA	6-6
CD-ROM (4X)	RRD45-AA	6-6

INDEX BY DIGITAL PART DESCRIPTION

AlphaServer 2000 Series

DESCRIPTION	PART NUMBER	FIG. - ITEM NUMBER
CHASSIS ASSEMBLY, RIVETED, BA720	70-32150-01	2-33, 3-A
Chassis, Bottom	74-49106-01	3-12
Chassis, Front	74-49105-01	3-11
Chassis, Rear	74-49108-01	3-14
Clip, Cable Harness	90-08340-00	2-51
Clip, Flat Cable (Adhesive Backed)	12-15843-02	2-2
Clip, LCD Lens	74-49464-01	2-49
Controller, DSSI, EISA bus	KFESA-AA	6-8
Controller, DSSI, EISA bus	KFESB-AA	6-8
Controller, Raid, Single Ended, Narrow, 1 Port, EISA bus	KZESC-AA	6-8
Controller, Raid, Single Ended, Narrow, 3 Ports, EISA bus	KZESC-BA	6-8
Controller, Raid, Single Ended, Wide, 1 Port, PCI bus	KZPSC-AA	6-8
Controller, Raid, Single Ended, Wide, 3 Ports, PCI bus	KZPSC-BA	6-8
Controller, SCSI, Differential, Wide, 1 Port, PCI bus	KZPBA-CB	6-8
Controller, SCSI, Differential, Wide, 1 Port, PCI bus	KZPSA-BB	6-8
Controller, SCSI, Single Ended, Narrow, 1 Port, EISA bus	PB2HA-SA	6-8
Controller, SCSI, Single Ended, Narrow, 1 Port, PCI bus	KZPAA-AA	6-8
Controller, SCSI, Single Ended, Wide, 1 Port, PCI bus	KZPBA-CA	6-8
Controller, SCSI, Single Ended, Wide, 1 Port, PCI bus, w/E-Net	KZPSM-AA	6-8
Cover, CBUS	74-49118-01	2-44
Cover, Chassis Window	74-42440-01	2-35
Disk Drive, 1 GB, 16 Bit	RZ26*-VW	6-1
Disk Drive, 1 GB, 8 Bit	RZ26*-VA	6-1
Disk Drive, 2.1 GB, 16 Bit	RZ28*-VW	6-1
Disk Drive, 2.1 GB, 8 Bit	RZ28*-VA	6-1
Disk Drive, 4 GB, 16 Bit	RZ29*-VW	6-1
Disk Drive, 4 GB, 8 Bit	RZ29*-VA	6-1
Divide, Fan Box	74-49116-01	2-42
Documentation, "Owner's Guide" (Not Shown)	EK-400MP-OP	1-7
Documentation, "Quick Installation Card" (Not Shown)	EK-400MP-IN	1-7
Documentation, "Service Guide" (Not Shown)	EK-KN450-SV	1-7
Door, Access, 2000 4/200	74-49099-01	1-5
Door, Access, 2000 4/233	74-49099-04	1-5
Door, Access, 2000 4/275	74-49099-05	1-5
Door, Access, 2000 5/250	74-49099-06	1-5
Door, Access, 2000 5/300	74-49099-07	1-5
Door, Front	74-49100-01	4-3
ENCLOSURE ASSEMBLY, BA720	BA720-A9	1-2, 2-A
Eyelet, Rolled	90-00024-09	3-22
Fan, 6 3/4 Inch 24V	12-36202-03	2-4
Fan, Box	74-49115-01	2-41
Fan, Tube Axial, 4 1/2 Inch	12-23609-09	2-3
Filler, CBUS Module Airflow	74-48265-01	1-4
Filler, Top CBUS Slot, Memory	74-49119-01	2-45
Finger, Non-Snag Grounding	12-26922-01	3-2
Floppy Drive (3 1/2 Inch)	RX26-AA	6-2
Foot, Level	12-34730-02	3-3
FRONT DOOR ASSEMBLY	70-32149-01	1-6, 4-A

INDEX BY DIGITAL PART DESCRIPTION
AlphaServer 2000 Series

DESCRIPTION	PART NUMBER	FIG.-ITEM NUMBER
Grommet, Round, Rubber	90-07014-00	2-50
Ground, Window	74-46490-01	3-7
Guide, Nylon Card	12-31405-00	3-1
Guide, Wave	74-49313-01	2-47
Harness, 15 Cond., PS Control/Misc. Power	17-03965-01	2-12
Harness, 20 Cond., +3.3V Power	17-04110-01	2-19
Harness, 24 Cond., +5V Power	17-04087-01	2-18
Harness, 6 Cond., to Fans	17-04083-01	2-14
Harness, 12 Cond. Power to Removables	17-04084-01	2-15
Hinge, Door	74-49101-01	4-4
Jumper, 16 Bit SCSI Bus, Module	54-23378-01	5-7
Jumper, 2 Position ID	12-18783-00	5-4A
Key, w/Black Plastic Cover	12-36437-03	1-2A, 2-5
Kit, EISA System Configuration (Not Shown)	QC-01YAA-HC	1-8
Label, "CBUS Slot ID w/Warning"	36-43423-01	2-26
Label, "CE Mark"	36-36842-01	2-23
Label, "EISA/PCI Slot ID w/Warning"	36-43422-01	2-25
Label, "Hazard Caution Blk/Yellow"	36-24385-01	2-22
Label, Regulatory, Blank	36-42029-01	2-24
Latch, Mini Push-Push	12-41662-01	4-2
LED, LCD Backlite	30-43049-01	2-21
Lens, LCD	74-49463-01	2-48
Lock, Key	12-36437-01	4-1
Module, AXP 2000 CPU, 233 MHz, 1 MB Chip	B2020-BA	1-1
Module, AXP 2000 CPU, EV4-S Chip	B2020-AA	1-1
Module, AXP 2000 CPU, EV4.5 Chip	B2024-AA	1-1
Module, AXP 2000 CPU, EV5 Chip	B2040-AB	1-1
Module, AXP 2000 CPU, EV5, 300 MHz Chip	B2040-BA	1-1
Module, Mother Board	54-23294-01	2-29
Module, OCP	54-23765-01	2-30
Module, Remote I/O Panel	54-23151-01	2-28
MODULE, SBL SPLIT	54-23343-01	5-4
Module, Standard I/O, PCI-EISA	B2111-AA	2-1
Nut, Flange, Hex	90-40003-04	3-27
Nut, Kep No. M3 x 5.5mm	90-40203-01	2-32
Package Assembly (Not Shown)	37-01538-01	2-27
Panel, I/O Card Cage (Left)	74-49111-01	3-17
Panel, I/O Card Cage (Right)	74-49112-01	3-18
Pawl	74-49102-01	4-5
Power Cord (Australia, New Zealand) (BN19H-2E)	17-00198-14	2-10
Power Cord (Austria, Belgium, France, Germany, Finland, Holland, Norway, Sweden, Portugal, Spain) (BN19C-2E)	17-00199-21	2-10
Power Cord (Denmark) (BN19K-2E)	17-00310-08	2-10
Power Cord (India, South Africa) (BN19S-2E)	17-00456-16	2-10
Power Cord (Israel) (BN18L-2E)	17-00457-16	2-10
Power Cord (Italy) (BN19M-2E)	17-00364-18	2-10
Power Cord (Switzerland) (BN19E-2E)	17-00210-13	2-10
Power Cord (U.K., Ireland) (BN19A-2E)	17-00210-15	2-10
Power Cord (U.S., Japan, Canada) (BN09A-1K)	17-00083-09	2-10
Power Supply, 400 Watts	30-41976-01	2-20

INDEX BY DIGITAL PART DESCRIPTION
AlphaServer 2000 Series

DESCRIPTION	PART NUMBER	FIG. - ITEM NUMBER
Rail, SBB (Left)	74-47028-02	5-3
Rail, SBB (Right)	74-47028-01	5-2
Rivet, Blind Dome	90-00030-80	3-23
Rivet, Repetition Clinch .156 Dia.	90-00052-07	3-24
Rivet, Repetition Clinch .156 Dia.	90-00052-08	3-25
Screw, Mach M3, Flat 6 mm	90-40122-03	2-58, 6-4
Screw, Mach Pan Hd No. 4-40 x 1/4	12-41427-01	2-9
Screw, Mach Pan Hd No. M3 x 16mm	90-40006-10	2-57
Screw, Sems Pan Hd No. 6-32 x 5/16	90-09701-00	2-53
Screw, Sems Pan Hd No. M3.5 x 8mm	90-09984-29	2-55
Screw, Thrl M4, Pan 10 mm	90-40005-06	6-5
Screw, Thrl No. 4 x 1/4	90-09800-24	2-54
Screw, Thrl Pan Hd No. M3.5 x 8mm	90-00056-11	4-6
Screw, Thrl Pan Hd No. M4 x 10mm	90-40005-06	2-56
Screw, Truss Hd No. 6-20 x 3/4	90-11370-01	5-5
Shield, EMI/RFI Finger Contact	12-42798-01	3-6
Shield, I/O Panel	74-47659-01	3-8
Slide, Chassis Bottom	74-49107-01	3-13
Speaker w/4 Pos Connector, Wire Assembly	12-39309-01	2-7
StorageWorks, 16 BIT/8 BIT SCSI (BA35E-SA)	70-31481-01	2-31, 5-A
Tape Drive, DAT, 4 GB	TLZ06-LG	6-6
Tape Drive, DAT, 8 GB	TLZ07-LG	6-6
Tape Drive, QIC, 2 GB	TZK11-LG	6-6
Terminator, 16 Bit SCSI Bus, Module	54-23376-01	5-6
Terminator, SCSI, 50 Pos. (Not Shown)	12-37004-04	2-6
Terminator, SCSI, Feed-Thru	12-41296-01	2-8
Tie, Front to Rear	74-49113-01	3-19
Tray, 3 1/2 Inch Storage	74-47878-01	2-37, 2-39, 6-3
Tray, Storage (For Removables)	74-48179-01	6-7
U-Cover Assembly	70-32151-01	2-34
Weldment, Chassis, 2 Piece for 16 Bit SCSI	74-48653-01	5-1