

ILLUSTRATED PARTS BREAKDOWN

DEC 4000 PEDESTAL SYSTEMS

ILLUSTRATED PARTS BREAKDOWN (IPB)

The IPB is used to identify a part and its location in a hardware product. The document references specific item numbers in the associated parts list.

HOW TO USE THE IPB

1. Locate the figure containing the item of interest.
2. Locate the number (callout) of the item of interest.
3. Locate that item number in the associated parts list.

FORMAT

Each IPB is generally organized based on its first figure. All other assemblies and subassemblies are referenced from this figure. Each figure contains numeric callouts of all major parts (items).

PARTS LIST

Each parts list contains the following:

Figure and Item No. – Lists the figure number and its referenced numeric callout

Description – Presents the name and a brief description of the item. A single asterisk (*) preceding the description denotes item is a

subassembly to its referenced figure. A double asterisk (**) preceding the description indicates that this item is subordinate to the preceding single asterisk item.

DEC Part No. – Lists the Digital/Vendor part number. The letter in the column heading indicates the current revision level of the Engineering Drawing for the referenced figure.

ECO Cut-In – Lists the top assembly drawing number and revision level at first printing. All additional revisions to an item are listed in this column.

Used On Code – Lists letters referring to the product variation assigned in Figure 1. When this column is blank, the item is used in all variations.

Ref Fig No. – Lists a cross reference between figures within the IPB.

PART NUMBER/PART DESCRIPTION INDEX SECTION

Lists items by part number numerically, and description alphabetically. Items are also referenced to a location within the IPB by figure and item number.

ECO/REVISION HISTORY

**OTHER IPB
MANUALS
REFERENCED**

FIGURE NO.	ASSEMBLY	INITIAL LEVEL	CURRENT LEVEL	PRINTING DATE	OTHER IPB MANUALS REFERENCED
1	430AK	00000	00002	24-JAN-94 3rd Printing	EK-EN430-IP EK-MS430-IP
2	431AK	00000	00000		
3	430AX	00000	00000		
4	431AX	00000	00000		

Digital Equipment Corporation reserves the right, without notice, to make substitutions and modifications in the specifications of products documented in this manual and further reserves the right to withdraw any of these products from the market without notice.

Digital Equipment Corporation is not responsible for errors which may appear in the technical description (including illustrations and photographs) of the products covered by this manual.

None of the descriptions contained in this manual imply the granting of any license whatsoever to make, use or sell equipment constructed in accordance therewith.

Restricted Rights: Use, duplication or disclosure by the U.S. Government is subject to restrictions as set forth in subparagraph (c) (1) (ii) of the Rights in Technical Data and Computer Software clause at DFARS 252.227-2713.

Copyright © 1992, 1993, 1994 by Digital Equipment Corporation. All rights reserved.
Printed in U.S.A.

The postage-paid READER'S COMMENTS form on the last page of this document requests your critical evaluation to assist us in preparing future documentation.

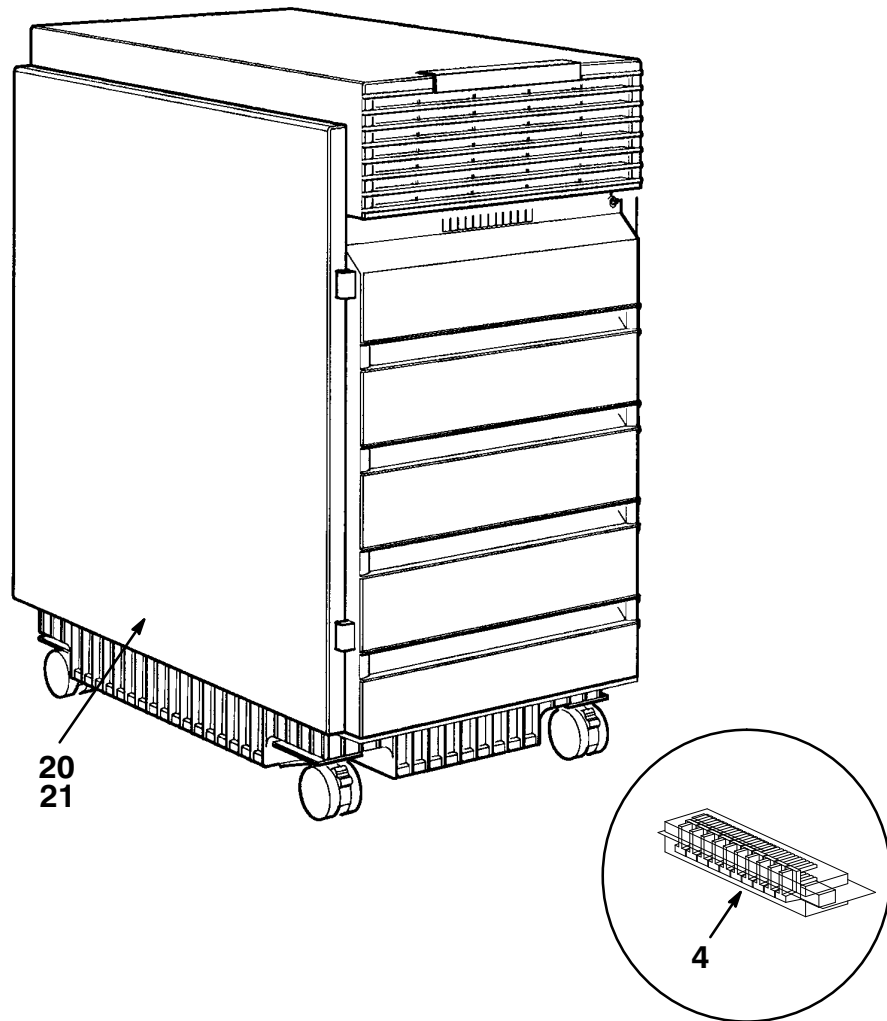
The following are trademarks of Digital Equipment Corporation :
AXP, DEC, DECdirect and the DIGITAL logo.

Olivetti is a registered trademark of Ing. C. Olivetti.

MODELS 610/620

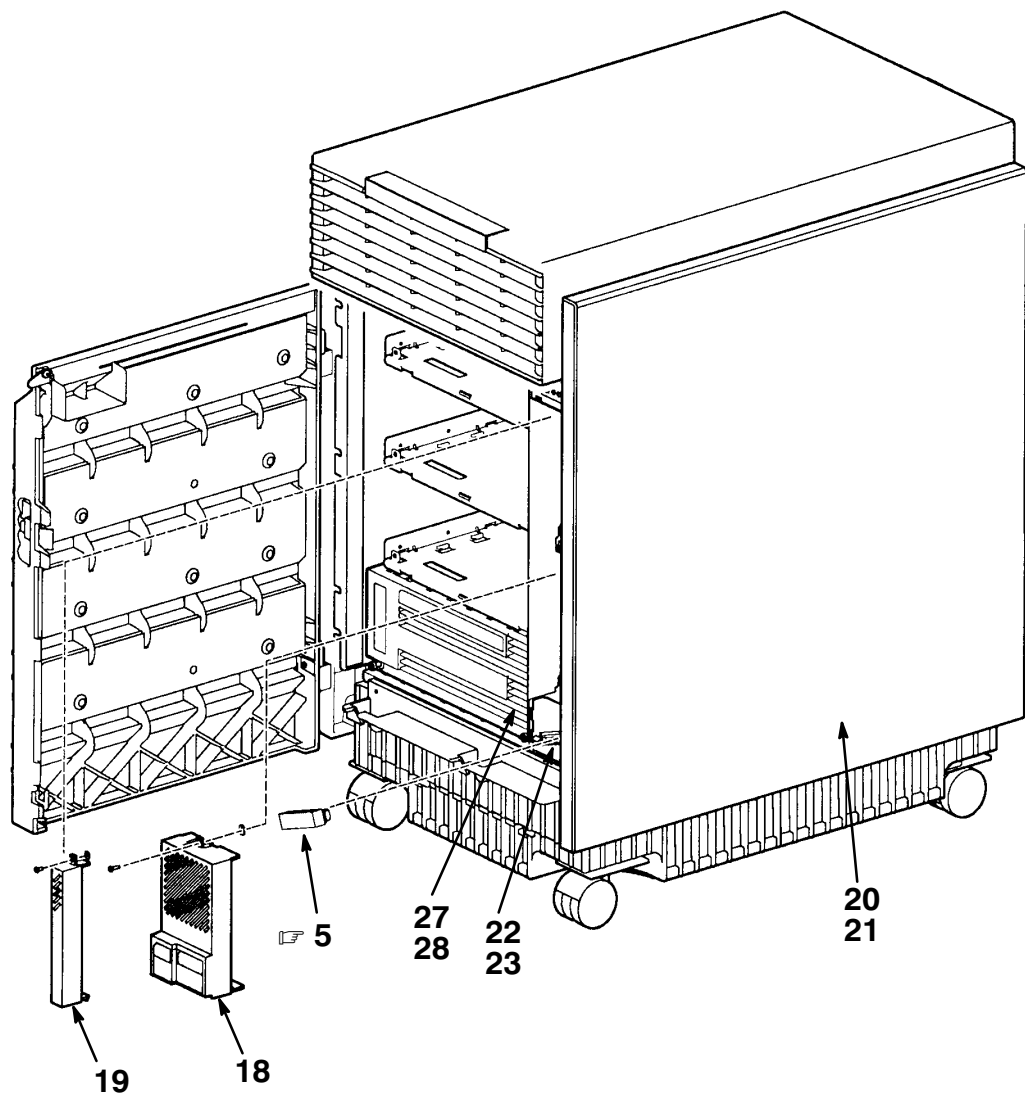
☞ ☞ INDICATES FRU LEVEL PARTS.

PARTS LIST



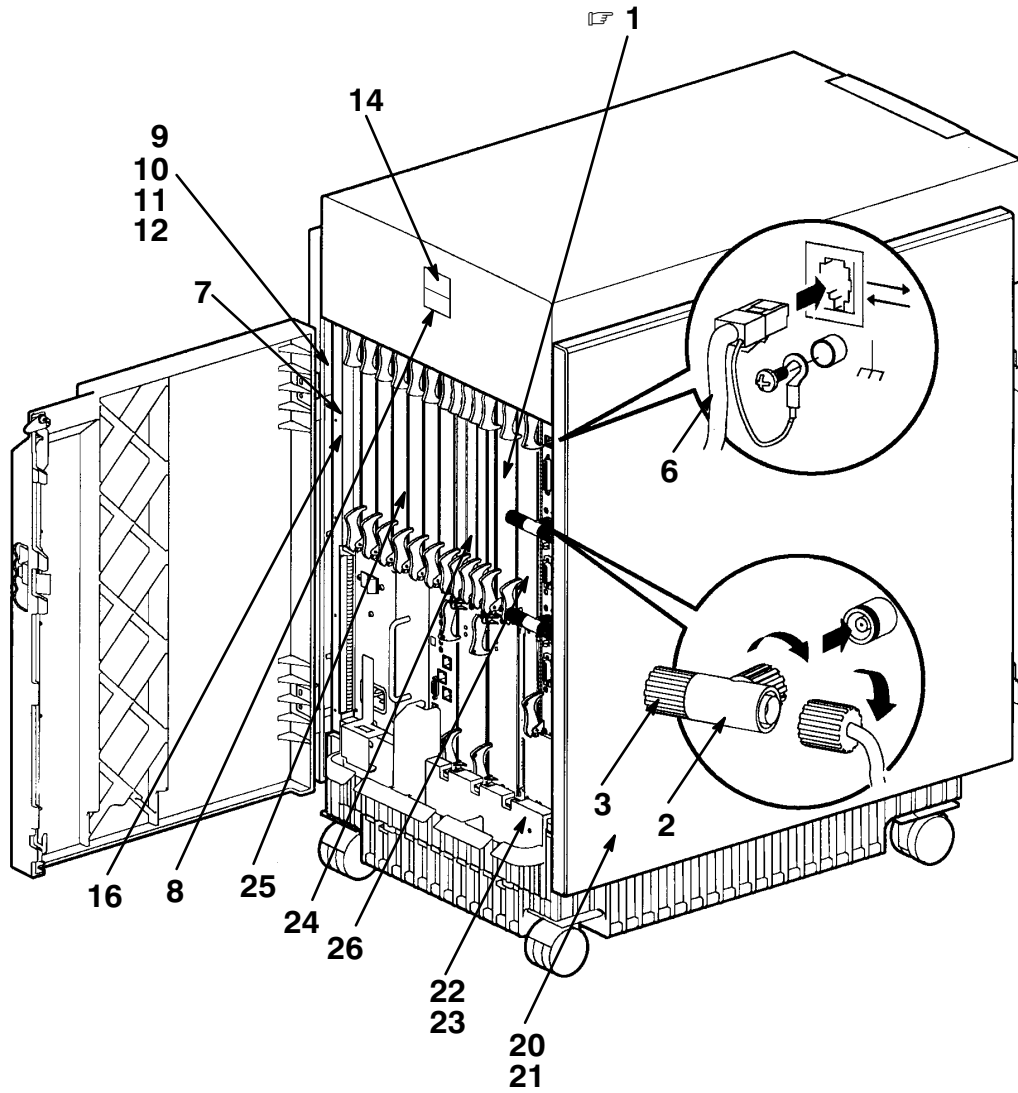
SY430-01-SC

Figure 1. DEC 4000 Models 610/620 Pedestal Systems (Sheet 1 of 3)



SY430-01A-SC

Figure 1. DEC 4000 Models 610/620 Pedestal Systems (Sheet 2 of 3)



SY430-01B-SC

Figure 1. DEC 4000 Models 610/620 Pedestal Systems (Sheet 3 of 3)

FIG. & ITEM NO.	DESCRIPTION	DIGITAL PART NO. ^c	ECO CUT-IN 430AK 00000	USED ON CODE	REF FIG NO.
1-	DEC 4000 MODELS 610/620 PEDESTAL SYSTEMS				
	Code A- Used on 430AK-A9 15 AMP	430AK-A9		A	
	Code B- Used on 430AK-B9 15 AMP	430AK-B9		B	
	Code C- Used on 430AK-C9 20 AMP	430AK-C9		C	
	Code D- Used on 430AK-D9 20 AMP	430AK-D9		D	
	Note: Used On Codes Apply To This Figure Only.				
1	*Module, EV-4 CPU	B2001-BA			
2	*Tee, Coax	12-25869-01			
3	*Connector, Coax	12-26318-01			
4	*Encoder Set, Lens	12-28766-19			
5	*Terminator (SCSI)	12-30552-01			
6	*Cable Assembly .06 Cond, Molded, Shielded	17-01364-02			
7	*Label, "CE Mark"	36-36842-01			
8	*Label, "Serial, External"	36-37957-01		AC	
9	*Label, "Regulatory 15 AMP" (US)	36-38171-02		AB	
10	*Label, "Regulatory 15 AMP" (UK)	36-38171-03		AB	
11	*Label, "Regulatory 20 AMP" (US)	36-38171-04		CD	
12	*Label, "Regulatory 20 AMP" (UK)	36-38171-05		CD	
13	*Label, "Node Name" (Not Shown)	36-38609-01		AC	
14	*Label, "Digital Logo"	36-38793-01		AC	
15	*Label, "German EMI Postcard" (Not Shown)	36-38811-05		AC	
16	*Label, "FCC Compliance"	36-38926-01			
17	*Package Assembly (Not Shown)	37-01336-01		AC	
18	*Bezel Assembly, Disk Drive	70-27049-02			
19	*Bezel Assembly, Filler	70-27414-01			
20	*CHASSIS ASSEMBLY (Pedestal 15 AMP) (See IPB Manual EK-EN430-IP)	70-28744-01		A	
21	*CHASSIS ASSEMBLY (Pedestal 20 AMP) (See IPB Manual EK-EN430-IP)	70-28744-02		C	
22	*CHASSIS ASSEMBLY (Rack Mount 15 AMP) (See IPB Manual EK-EN430-IP)	70-28744-03		B	
23	*CHASSIS ASSEMBLY (Rack Mount 20 AMP) (See IPB Manual EK-EN430-IP)	70-28744-04		D	
24	*Bulkhead Assembly (20 mm Blank)	70-28767-01			
25	*Bulkhead Assembly (30 mm Blank)	70-28767-03			
26	*Bulkhead Assembly (40 mm Blank)	70-28767-05			
27	*STORAGELESS ELEMENT (DSSI) (See Note)	70-29491-01			
28	*STORAGELESS ELEMENT (SCSI) (See Note)	70-29491-02			
	Note: Refer To Document EK-MS430-IP For Information On These Items.				

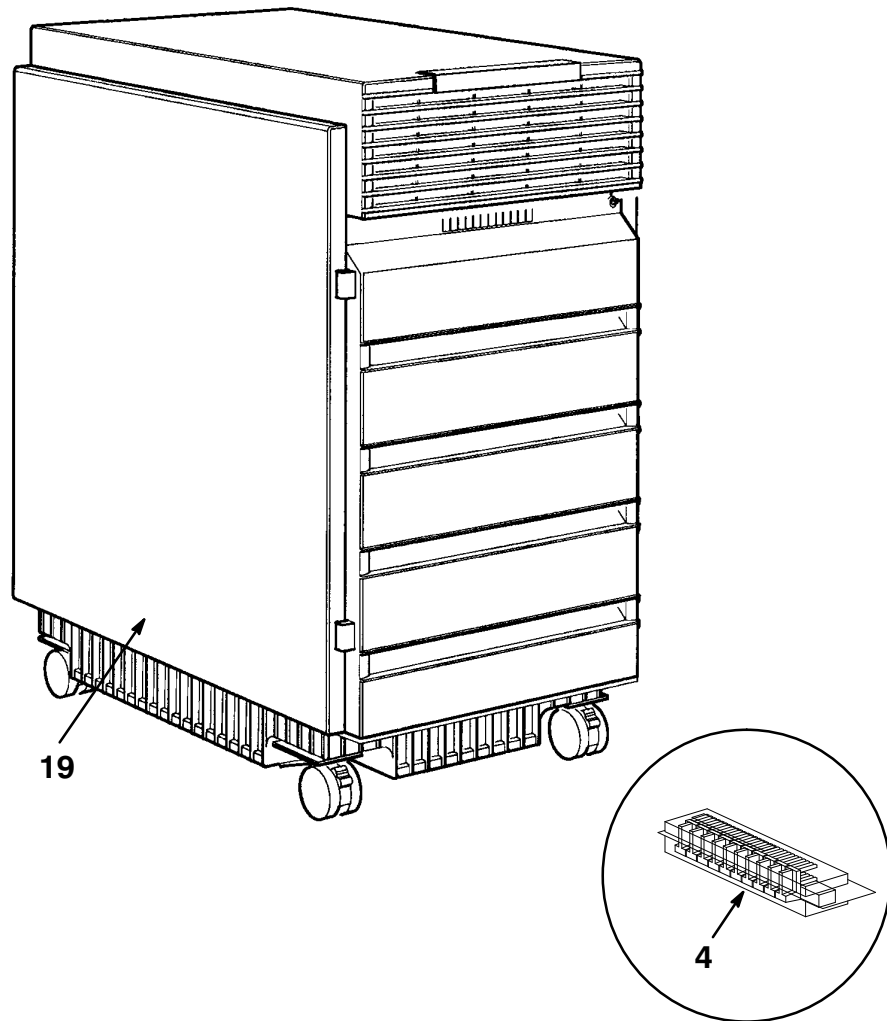
FIG. & ITEM NO.	DESCRIPTION	DIGITAL PART NO.	ECO CUT-IN 430AK 00000	USED ON CODE	REF FIG NO.
1-	<p style="text-align: center;">240V 20 AMP Power Cords (Not Shown)</p> <p>*Power Cord 240V U.S./Japan/Canada (BN27R-2E) 17-00083-55</p> <p>*Power Cord 240V Australia/New Zealand (BN27L-2E) 17-00198-16</p> <p>*Power Cord 240V Central Europe (BN27M-2E) 17-00199-24</p> <p>*Power Cord 240V U.K./Ireland (BN27Q-2E) 17-00209-20</p> <p>*Power Cord 240V Switzerland (BN27G-2E) 17-00210-15</p> <p>*Power Cord 240V Denmark (BN27K-2E) 17-00310-11</p> <p>*Power Cord 240V Italy (BN27J-2E) 17-00364-20</p> <p>*Power Cord 240V India/South Africa (BN27P-2E) 17-00456-18</p> <p>*Power Cord 240V Israel (BN27N-2E) 17-00457-18</p> <p style="text-align: center;">240V 15 AMP Power Cords (Not Shown)</p> <p>*Power Cord 240V U.S./Japan/Canada (BN20B-2E) 17-00083-44</p> <p>*Power Cord 240V Australia/New Zealand (BN22C-2E) 17-00198-11</p> <p>*Power Cord 240V Central Europe (BN22D-2E) 17-00199-16</p> <p>*Power Cord 240V U.K./Ireland (BN22E-2E) 17-00209-13</p> <p>*Power Cord 240V Switzerland (BN22F-2E) 17-00210-10</p> <p>*Power Cord 240V Denmark (BN22H-2E) 17-00310-10</p> <p>*Power Cord 240V Italy (BN22J-2E) 17-00364-13</p> <p>*Power Cord 240V India/South Africa (BN22K-2E) 17-00456-13</p> <p>*Power Cord 240V Israel (BN22L-2E) 17-00457-13</p> <p style="text-align: center;">120V Power Cords (Not Shown)</p> <p>*Power Cord 120V 20 AMP U.S./Japan/Canada (BN27H-2E) (added) 17-00083-53 00001</p> <p>*Power Cord 120V 15 AMP U.S./Japan/Canada (BN20A-2E) (added) 17-00083-43 00001</p>				

THIS PAGE INTENTIONALLY LEFT BLANK

MODELS 710/720

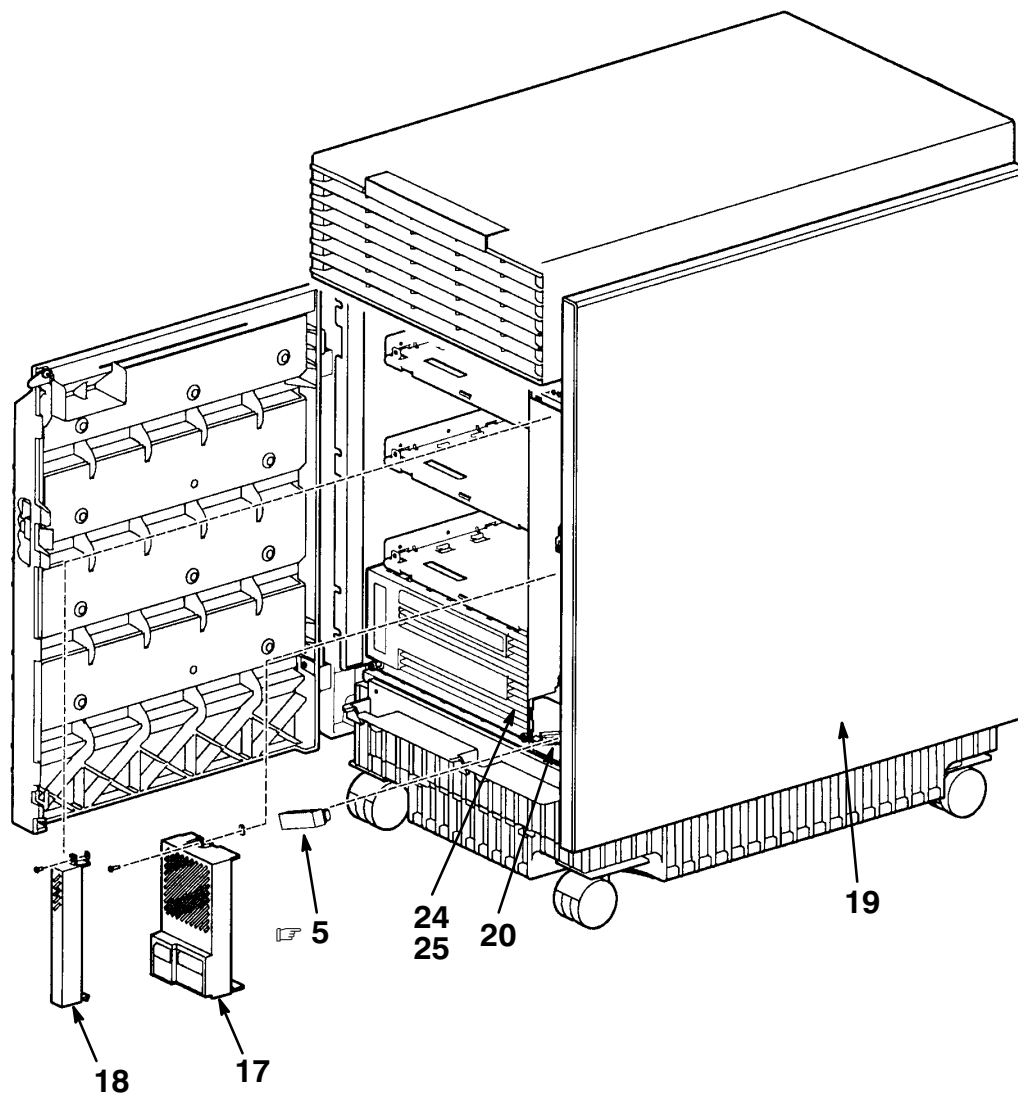
☞ ☞ INDICATES FRU LEVEL PARTS.

PARTS LIST



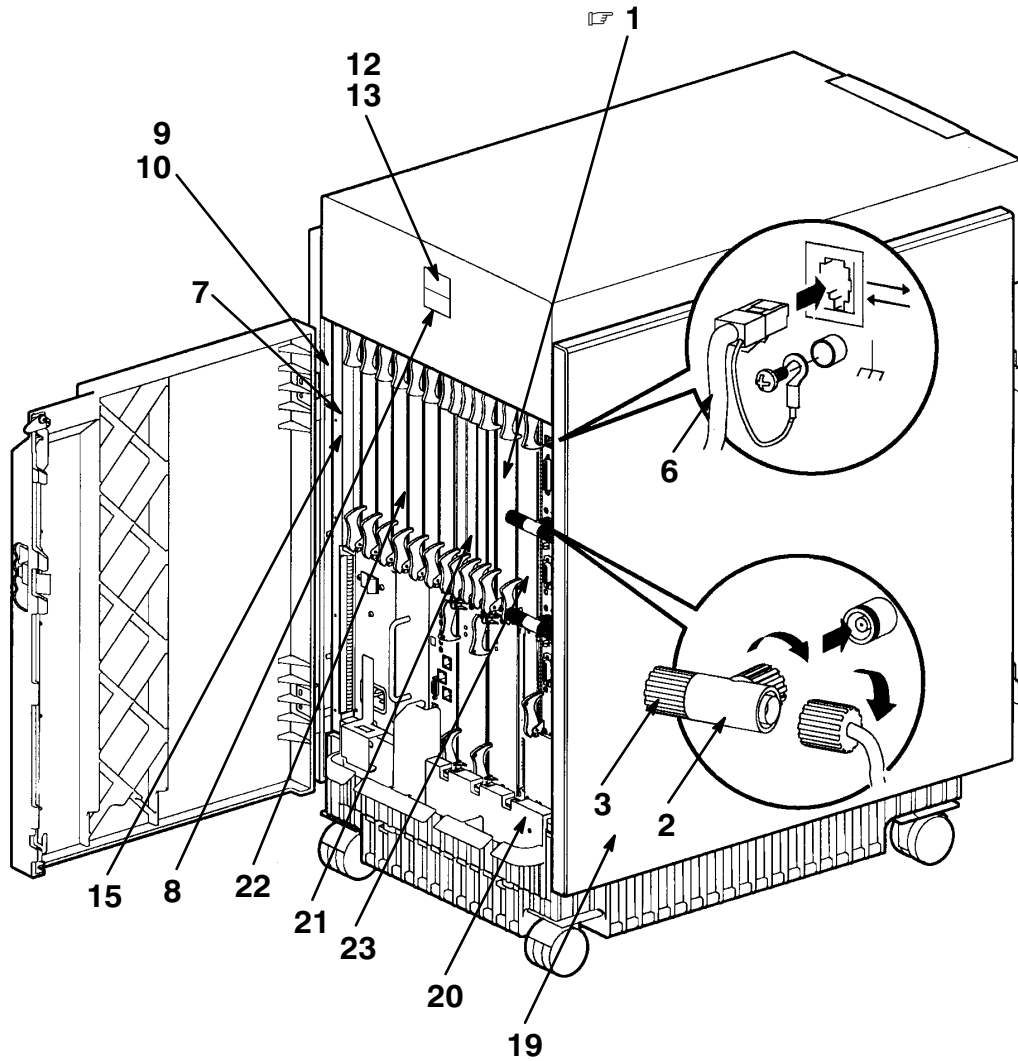
SY430-02-SC

Figure 2. DEC 4000 Models 710/720 Pedestal Systems (Sheet 1 of 3)



SY430-02A-SC

Figure 2. DEC 4000 Models 710/720 Pedestal Systems (Sheet 2 of 3)



SY430-02B-SC

Figure 2. DEC 4000 Models 710/720 Pedestal Systems (Sheet 3 of 3)

FIG. & ITEM NO.	DESCRIPTION	DIGITAL PART NO. ^A	ECO CUT-IN 431AK 00000	USED ON CODE	REF FIG NO.
2-	DEC 4000 MODELS 710/720 PEDESTAL SYSTEMS				
	Code A- Used on 431AK-A9 20 AMP	431AK-A9		A	
	Code B- Used on 431AK-B9 20 AMP	431AK-B9		B	
	Note: Used On Codes Apply To This Figure Only.				
☞ 1	*Module, EV-4 CPU	B2012-AA			
2	*Tee, Coax	12-25869-01			
3	*Connector, Coax	12-26318-01			
4	*Encoder Set, Lens	12-28766-19			
☞ 5	*Terminator (SCSI)	12-30552-01			
6	*Cable Assembly .06 Cond, Molded, Shielded	17-01364-02			
7	*Label, "CE Mark"	36-36842-01			
8	*Label, "Serial, External"	36-37957-01		A	
9	*Label, "Regulatory 20 AMP" (US)	36-38171-08			
10	*Label, "Regulatory 20 AMP" (UK)	36-38171-09			
11	*Label, "Node Name" (Not Shown)	36-38609-01		A	
12	*Label, "Digital Logo, Model 710"	36-38793-11			
13	*Label, "Digital Logo, Model 720"	36-38793-12			
14	*Label, "German EMI Postcard" (Not Shown)	36-38811-05		A	
15	*Label, "FCC Compliance"	36-38926-01			
16	*Package Assembly (Not Shown)	37-01336-01		A	
17	*Bezel Assembly, Disk Drive	70-27049-02			
18	*Bezel Assembly, Filler	70-27414-01			
19	*CHASSIS ASSEMBLY (Pedestal 20 AMP) (See IPB Manual EK-EN430-IP)	70-28744-02		A	
20	*CHASSIS ASSEMBLY (Rack Mount 20 AMP) (See IPB Manual EK-EN430-IP)	70-28744-04		B	
21	*Bulkhead Assembly (20 mm Blank)	70-28767-01			
22	*Bulkhead Assembly (30 mm Blank)	70-28767-03			
23	*Bulkhead Assembly (40 mm Blank)	70-28767-05			
24	*STORAGELESS ELEMENT (DSSI) (See Note)	70-29491-01			
25	*STORAGELESS ELEMENT (SCSI) (See Note)	70-29491-02			
	Note: Refer To Document EK-MS430-IP For Information On These Items.				

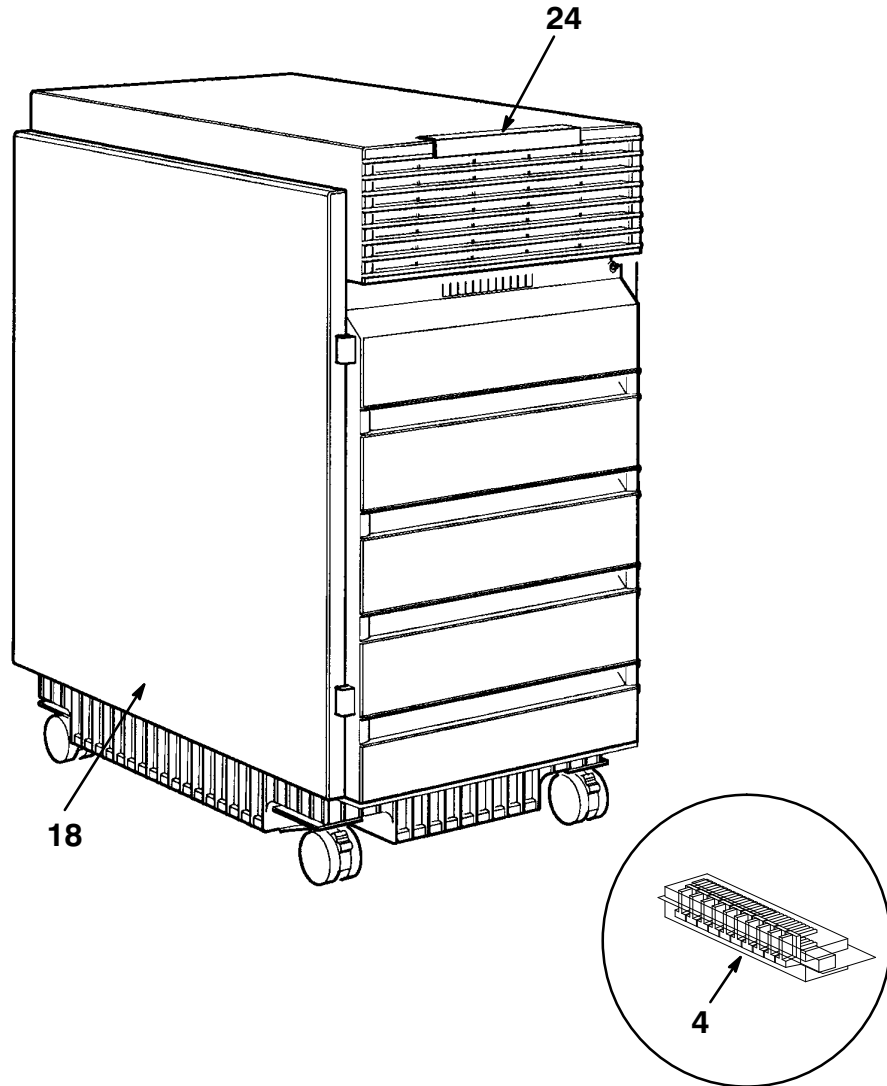
FIG. & ITEM NO.	DESCRIPTION	DIGITAL PART NO. ^A	ECO CUT-IN 431AK 00000	USED ON CODE	REF FIG NO.
2-	<p style="text-align: center;">240V 20 AMP Power Cords (Not Shown)</p> <p>*Power Cord 240V U.S./Japan/Canada (BN27R-2E)</p> <p>*Power Cord 240V Australia/New Zealand (BN27L-2E)</p> <p>*Power Cord 240V Central Europe (BN27M-2E)</p> <p>*Power Cord 240V U.K./Ireland (BN27Q-2E)</p> <p>*Power Cord 240V Switzerland (BN27G-2E)</p> <p>*Power Cord 240V Denmark (BN27K-2E)</p> <p>*Power Cord 240V Italy (BN27J-2E)</p> <p>*Power Cord 240V India/South Africa (BN27P-2E)</p> <p>*Power Cord 240V Israel (BN27N-2E)</p> <p style="text-align: center;">120V 20 AMP Power Cord (Not Shown)</p> <p>*Power Cord 120V U.S./Japan/Canada (BN27H-2E)</p>	<p>17-00083-55</p> <p>17-00198-16</p> <p>17-00199-24</p> <p>17-00209-20</p> <p>17-00210-15</p> <p>17-00310-11</p> <p>17-00364-20</p> <p>17-00456-18</p> <p>17-00457-18</p> <p>17-00083-53</p>			

THIS PAGE INTENTIONALLY LEFT BLANK

MODEL LSX 7410

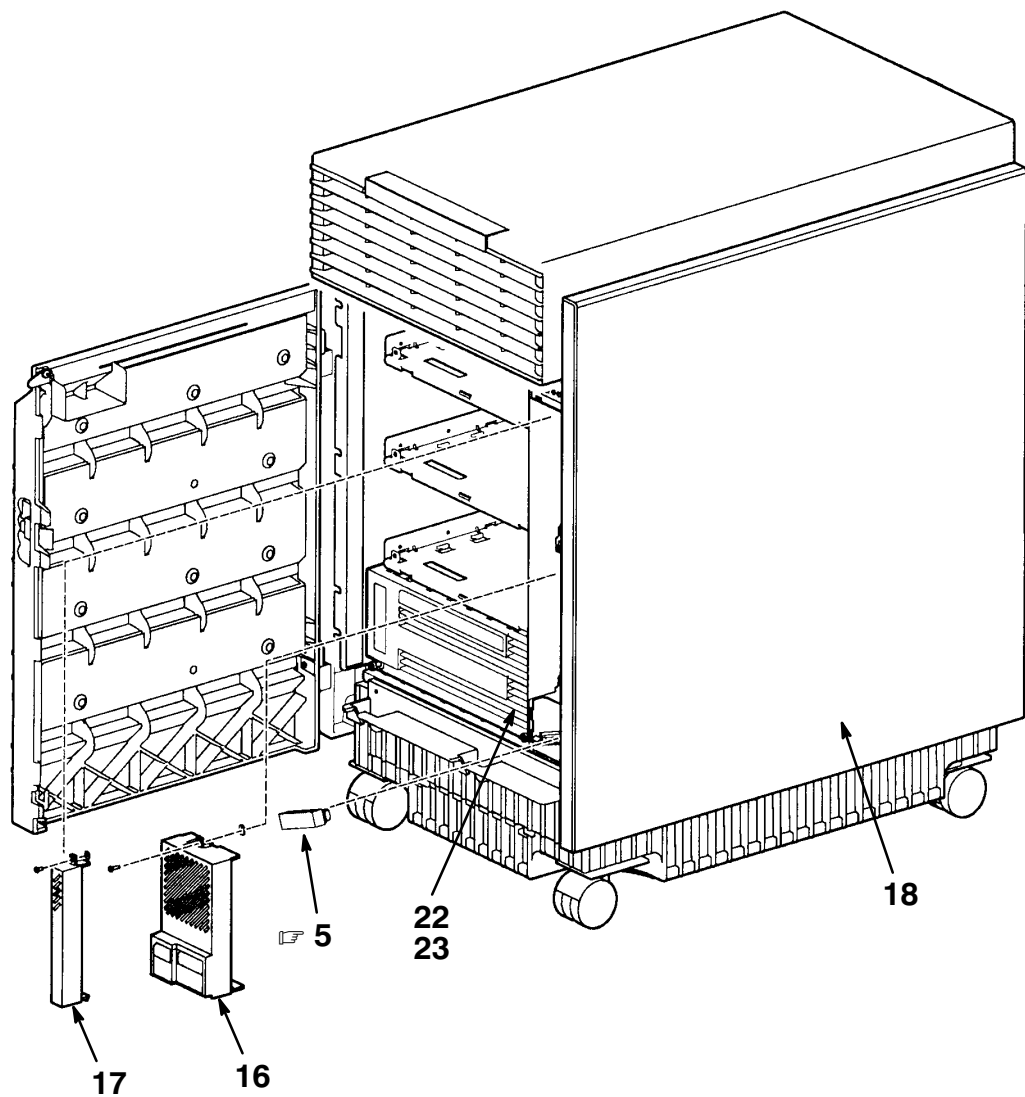
☞ ☞ INDICATES FRU LEVEL PARTS.

PARTS LIST



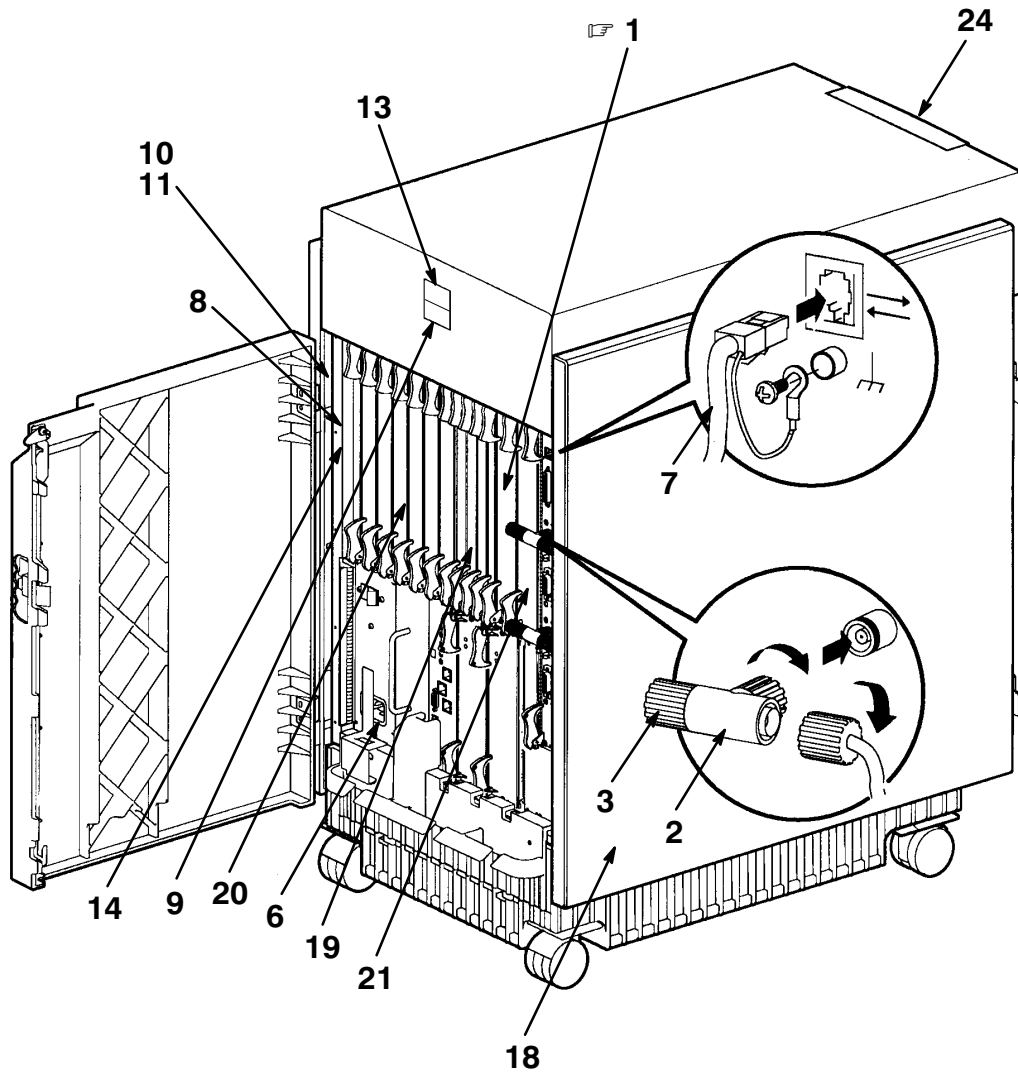
SY430-03-SC

Figure 3. Olivetti Model LSX 7410 Pedestal System (Sheet 1 of 3)



SY430-03A-SC

Figure 3. Olivetti Model LSX 7410 Pedestal System (Sheet 2 of 3)



SY430-03B-SC

Figure 3. Olivetti Model LSX 7410 Pedestal System (Sheet 3 of 3)

FIG. & ITEM NO.	DESCRIPTION	DIGITAL PART NO. ^A	ECO CUT-IN 430AX 00000	USED ON CODE	REF FIG NO.
3-	OLIVETTI MODEL LSX 7410 PEDESTAL SYSTEM	430AX-C9			
☞ 1	*Module, EV-4 CPU	B2001-BA			
2	*Tee, Coax	12-25869-01			
3	*Connector, Coax	12-26318-01			
4	*Encoder Set, Lens	12-28766-19			
☞ 5	*Terminator (SCSI)	12-30552-01			
6	*Power Cord, 03 Cond. (See Note 1)	17-00083-53			
7	*Cable Assembly .06 Cond, Molded, Shielded	17-01364-01			
8	*Label, "CE Mark"	36-36842-01			
9	*Label, "Serial, External"	36-37957-01			
10	*Label, "Regulatory 20 AMP" (US)	36-38171-10			
11	*Label, "Regulatory 20 AMP" (UK)	36-38171-11			
12	*Label, "Node Name" (Not Shown)	36-38609-01			
13	*Label, "Olivetti Model LSX 7410"	36-38793-13			
14	*Label, "FCC Compliance"	36-38926-01			
15	*Package Assembly (Not Shown)	37-01336-02			
16	*Bezel Assembly, Disk Drive	70-27049-02			
17	*Bezel Assembly, Filler	70-27414-01			
18	*CHASSIS ASSEMBLY (Pedestal 20 AMP) (See IPB Manual EK-EN430-IP)	70-28744-02			
19	*Bulkhead Assembly (20 mm Blank)	70-28767-01			
20	*Bulkhead Assembly (30 mm Blank)	70-28767-03			
21	*Bulkhead Assembly (40 mm Blank)	70-28767-05			
22	*Storageless Element (DSSI) (See Note 2)	70-29491-01			
23	*Storageless Element (SCSI) (See Note 2)	70-29491-02			
24	*Medallion (Olivetti)	74-44024-02			
	Note 1: Refer To Page 17 For List Of Power Cords.				
	Note 2: Refer To Document EK-MS430-IP For Information On These Items.				

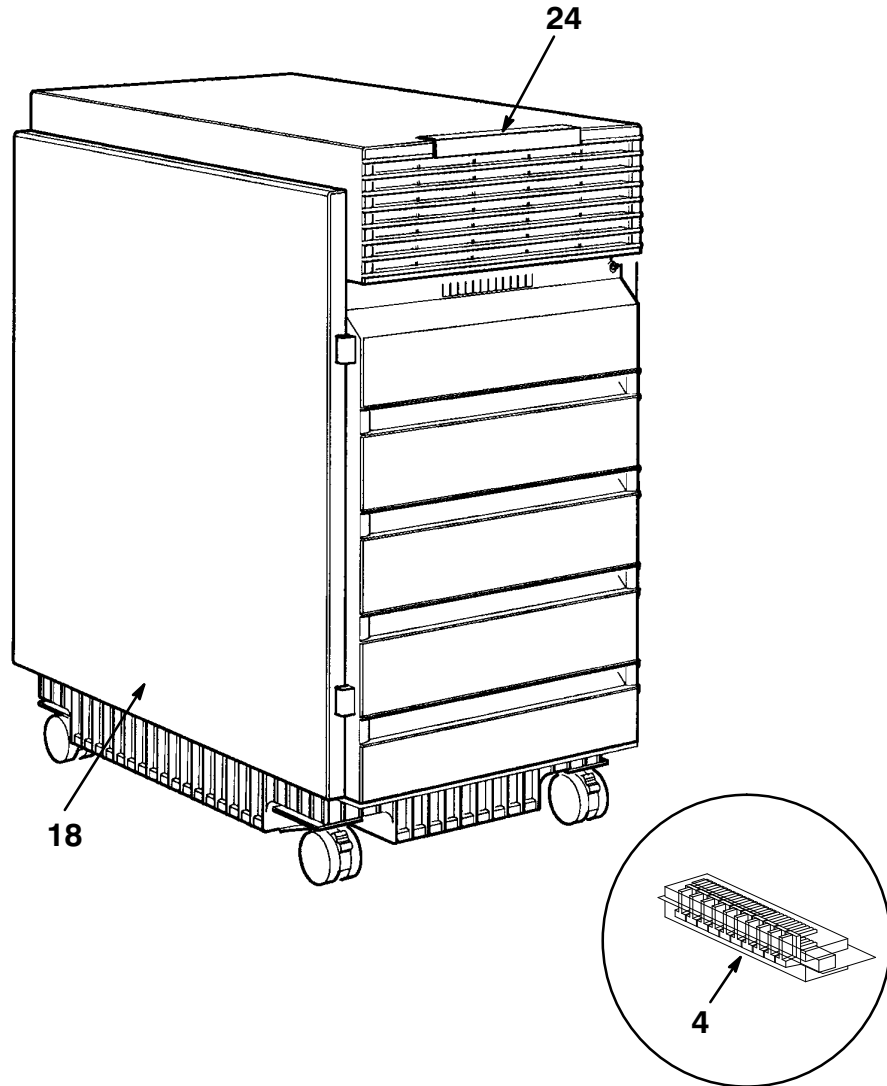
FIG. & ITEM NO.	DESCRIPTION	DIGITAL PART NO. ^A	ECO CUT-IN 430AX 00000	USED ON CODE	REF FIG NO.
3-	<p style="text-align: center;">240V 20 AMP Power Cords (Not Shown)</p> <p>*Power Cord 240V U.S./Japan/Canada (BN27R-2E)</p> <p>*Power Cord 240V Australia/New Zealand (BN27L-2E)</p> <p>*Power Cord 240V Central Europe (BN27M-2E)</p> <p>*Power Cord 240V U.K./Ireland (BN27Q-2E)</p> <p>*Power Cord 240V Switzerland (BN27G-2E)</p> <p>*Power Cord 240V Denmark (BN27K-2E)</p> <p>*Power Cord 240V Italy (BN27J-2E)</p> <p>*Power Cord 240V India/South Africa (BN27P-2E)</p> <p>*Power Cord 240V Israel (BN27N-2E)</p> <p style="text-align: center;">120V 20 AMP Power Cord (Not Shown)</p> <p>*Power Cord 120V U.S./Japan/Canada (BN27H-2E)</p>	<p>17-00083-55</p> <p>17-00198-16</p> <p>17-00199-24</p> <p>17-00209-20</p> <p>17-00210-15</p> <p>17-00310-11</p> <p>17-00364-20</p> <p>17-00456-18</p> <p>17-00457-18</p> <p>17-00083-53</p>			

THIS PAGE INTENTIONALLY LEFT BLANK

MODEL LSX 7415

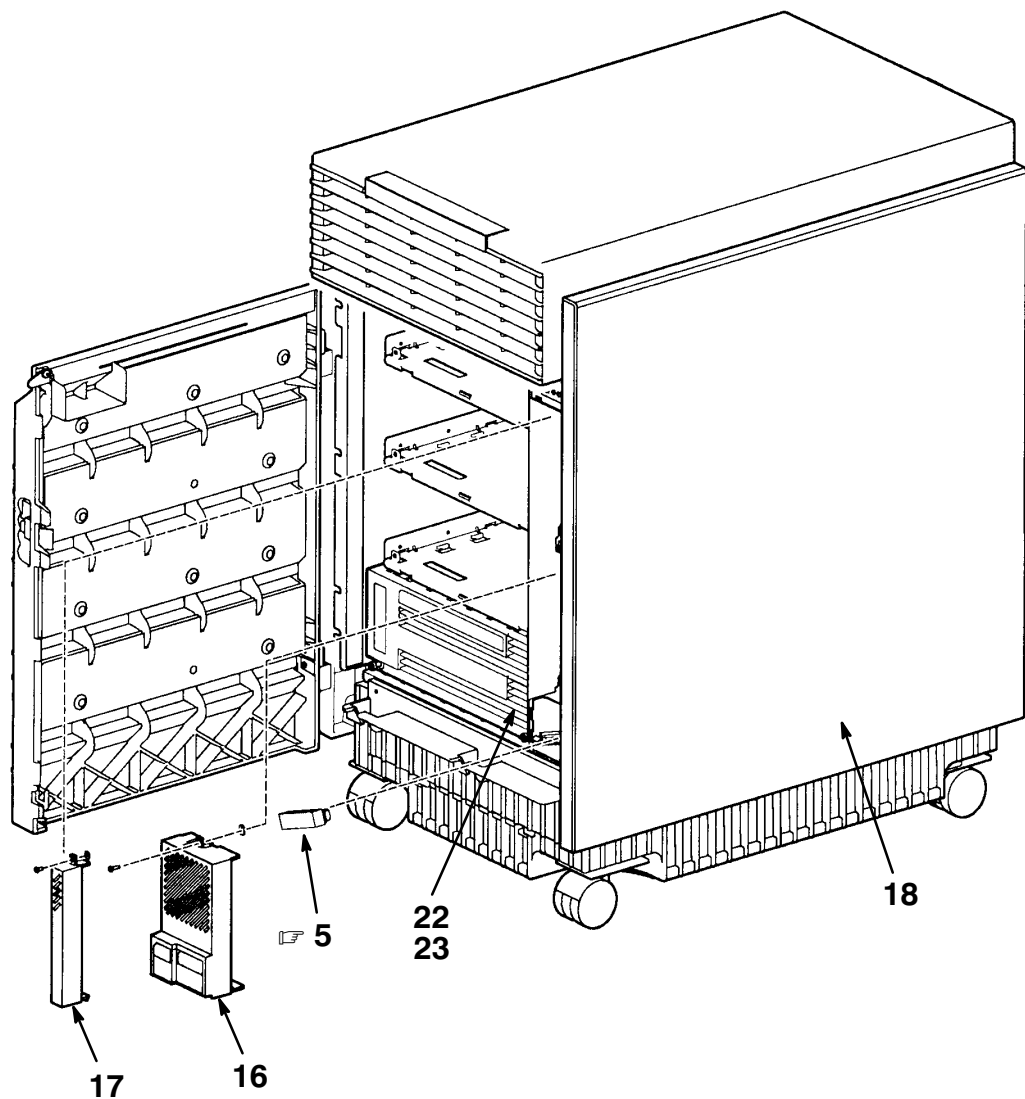
☞ ☞ INDICATES FRU LEVEL PARTS.

PARTS LIST



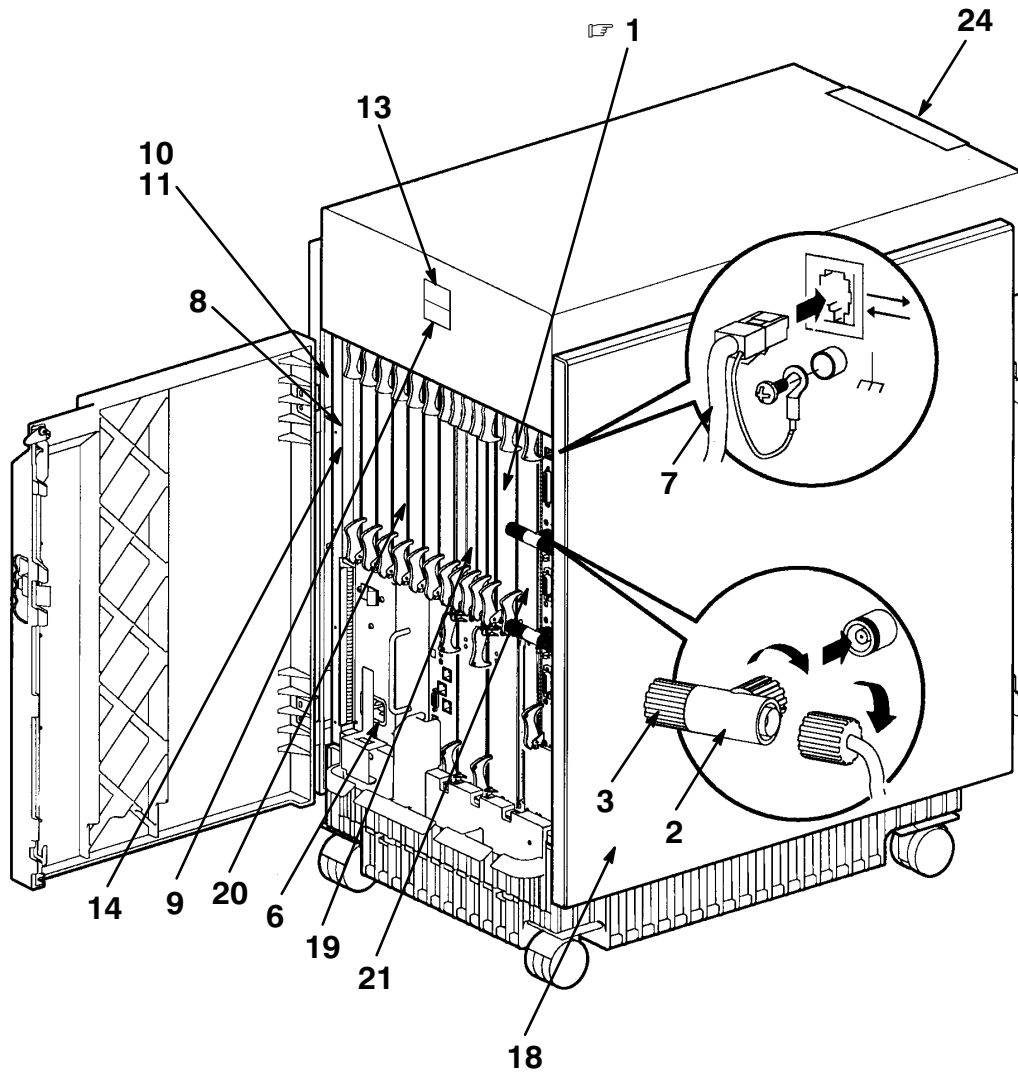
SY430-04-SC

Figure 4. Olivetti Model LSX 7415 Pedestal System (Sheet 1 of 3)



SY430-04A-SC

Figure 4. Olivetti Model LSX 7415 Pedestal System (Sheet 2 of 3)



SY430-04B-SC

Figure 4. Olivetti Model LSX 7415 Pedestal System (Sheet 3 of 3)

FIG. & ITEM NO.	DESCRIPTION	DIGITAL PART NO. ^A	ECO CUT-IN 431AX 00000	USED ON CODE	REF FIG NO.
4-	OLIVETTI MODEL LSX 7415 PEDESTAL SYSTEM	431AX-A9			
☞ 1	*Module, EV-4 CPU	B2012-AA			
2	*Tee, Coax	12-25869-01			
3	*Connector, Coax	12-26318-01			
4	*Encoder Set, Lens	12-28766-19			
☞ 5	*Terminator (SCSI)	12-30552-01			
6	*Power Cord, 03 Cond. (See Note 1)	17-00083-53			
7	*Cable Assembly .06 Cond, Molded, Shielded	17-01364-02			
8	*Label, "CE Mark"	36-36842-01			
9	*Label, "Serial, External"	36-37957-01			
10	*Label, "Regulatory 20 AMP" (US)	36-38171-12			
11	*Label, "Regulatory 20 AMP" (UK)	36-38171-13			
12	*Label, "Node Name" (Not Shown)	36-38609-01			
13	*Label, "Olivetti Model LSX 7415"	36-38793-15			
14	*Label, "FCC Compliance"	36-38926-01			
15	*Package Assembly (Not Shown)	37-01336-02			
16	*Bezel Assembly, Disk Drive	70-27049-02			
17	*Bezel Assembly, Filler	70-27414-01			
18	*CHASSIS ASSEMBLY (Pedestal 20 AMP) (See IPB Manual EK-EN430-IP)	70-28744-02			
19	*Bulkhead Assembly (20 mm Blank)	70-28767-01			
20	*Bulkhead Assembly (30 mm Blank)	70-28767-03			
21	*Bulkhead Assembly (40 mm Blank)	70-28767-05			
22	*Storageless Element (DSSI) (See Note 2)	70-29491-01			
23	*Storageless Element (SCSI) (See Note 2)	70-29491-02			
24	*Medallion (Olivetti)	74-44024-02			
	Note 1: Refer To Page 23 For List Of Power Cords.				
	Note 2: Refer To Document EK-MS430-IP For Information On These Items.				

FIG. & ITEM NO.	DESCRIPTION	DIGITAL PART NO. ^A	ECO CUT-IN 431AX 00000	USED ON CODE	REF FIG NO.
4-	<p style="text-align: center;">240V 20 AMP Power Cords (Not Shown)</p> <p>*Power Cord 240V U.S./Japan/Canada (BN27R-2E)</p> <p>*Power Cord 240V Australia/New Zealand (BN27L-2E)</p> <p>*Power Cord 240V Central Europe (BN27M-2E)</p> <p>*Power Cord 240V U.K./Ireland (BN27Q-2E)</p> <p>*Power Cord 240V Switzerland (BN27G-2E)</p> <p>*Power Cord 240V Denmark (BN27K-2E)</p> <p>*Power Cord 240V Italy (BN27J-2E)</p> <p>*Power Cord 240V India/South Africa (BN27P-2E)</p> <p>*Power Cord 240V Israel (BN27N-2E)</p> <p style="text-align: center;">120V 20 AMP Power Cord (Not Shown)</p> <p>*Power Cord 120V U.S./Japan/Canada (BN27H-2E)</p>	<p>17-00083-54</p> <p>17-00198-16</p> <p>17-00199-24</p> <p>17-00209-20</p> <p>17-00210-15</p> <p>17-00310-11</p> <p>17-00364-20</p> <p>17-00456-18</p> <p>17-00457-18</p> <p>17-00083-53</p>			



THIS PAGE INTENTIONALLY LEFT BLANK

PART NUMBER/DESCRIPTION INDEX 

THIS PAGE INTENTIONALLY LEFT BLANK

INDEX BY DIGITAL PART NUMBER
DEC 4000 Pedestal Systems

PART NO.	DESCRIPTION	FIG NO.	ITEM NO.
12-25869-01	Tee, Coax	1	2
12-25869-01	Tee, Coax	2	2
12-25869-01	Tee, Coax	3	2
12-25869-01	Tee, Coax	4	2
12-26318-01	Connector, Coax	1	3
12-26318-01	Connector, Coax	2	3
12-26318-01	Connector, Coax	3	3
12-26318-01	Connector, Coax	4	3
12-28766-19	Encoder Set, Lens	1	4
12-28766-19	Encoder Set, Lens	2	4
12-28766-19	Encoder Set, Lens	3	4
12-28766-19	Encoder Set, Lens	4	4
12-30552-01	Terminator (SCSI)	1	5
12-30552-01	Terminator (SCSI)	2	5
12-30552-01	Terminator (SCSI)	3	5
12-30552-01	Terminator (SCSI)	4	5
17-00083-43	PowerCord 120V 15AMP U.S./Japan/Canada (BN20A-2E) (added)	1	Not Shown
17-00083-44	Power Cord 240V U.S./Japan/Canada (BN20B-2E)	1	Not Shown
17-00083-53	Power Cord 120V U.S./Japan/Canada (BN27H-2E)	2	Not Shown
17-00083-53	Power Cord 120V U.S./Japan/Canada (BN27H-2E)	3	Not Shown
17-00083-53	Power Cord 120V U.S./Japan/Canada (BN27H-2E)	4	Not Shown
17-00083-53	Power Cord, 03 Cond.	3	6
17-00083-53	Power Cord, 03 Cond.	4	6
17-00083-53	Power Cord 120V 20 AMP U.S./Japan/Canada (BN27H-2E) (added)	1	Not Shown
17-00083-54	Power Cord 240V U.S./Japan/Canada (BN27R-2E)	4	Not Shown
17-00083-55	Power Cord 240V U.S./Japan/Canada (BN27R-2E)	1	Not Shown
17-00083-55	Power Cord 240V U.S./Japan/Canada (BN27R-2E)	2	Not Shown
17-00083-55	Power Cord 240V U.S./Japan/Canada (BN27R-2E)	3	Not Shown
17-00198-11	Power Cord 240V Australia/New Zealand (BN22C-2E)	1	Not Shown
17-00198-16	Power Cord 240V Australia/New Zealand (BN27L-2E)	1	Not Shown
17-00198-16	Power Cord 240V Australia/New Zealand (BN27L-2E)	2	Not Shown
17-00198-16	Power Cord 240V Australia/New Zealand (BN27L-2E)	3	Not Shown
17-00198-16	Power Cord 240V Australia/New Zealand (BN27L-2E)	4	Not Shown
17-00199-16	Power Cord 240V Central Europe (BN22D-2E)	1	Not Shown
17-00199-24	Power Cord 240V Central Europe (BN27M-2E)	1	Not Shown
17-00199-24	Power Cord 240V Central Europe (BN27M-2E)	2	Not Shown
17-00199-24	Power Cord 240V Central Europe (BN27M-2E)	3	Not Shown
17-00199-24	Power Cord 240V Central Europe (BN27M-2E)	4	Not Shown
17-00209-13	Power Cord 240V U.K./Ireland (BN22E-2E)	1	Not Shown
17-00209-20	Power Cord 240V U.K./Ireland (BN27Q-2E)	1	Not Shown
17-00209-20	Power Cord 240V U.K./Ireland (BN27Q-2E)	2	Not Shown
17-00209-20	Power Cord 240V U.K./Ireland (BN27Q-2E)	3	Not Shown
17-00209-20	Power Cord 240V U.K./Ireland (BN27Q-2E)	4	Not Shown
17-00210-10	Power Cord 240V Switzerland (BN22F-2E)	1	Not Shown
17-00210-15	Power Cord 240V Switzerland (BN27G-2E)	1	Not Shown
17-00210-15	Power Cord 240V Switzerland (BN27G-2E)	2	Not Shown
17-00210-15	Power Cord 240V Switzerland (BN27G-2E)	3	Not Shown
17-00210-15	Power Cord 240V Switzerland (BN27G-2E)	4	Not Shown
17-00310-10	Power Cord 240V Denmark (BN22H-2E)	1	Not Shown
17-00310-11	Power Cord 240V Denmark (BN27K-2E)	1	Not Shown
17-00310-11	Power Cord 240V Denmark (BN27K-2E)	2	Not Shown

INDEX BY DIGITAL PART NUMBER
DEC 4000 Pedestal Systems

PART NO.	DESCRIPTION	FIG NO.	ITEM NO.
17-00310-11	Power Cord 240V Denmark (BN27K-2E)	3	Not Shown
17-00310-11	Power Cord 240V Denmark (BN27K-2E)	4	Not Shown
17-00364-13	Power Cord 240V Italy (BN22J-2E)	1	Not Shown
17-00364-20	Power Cord 240V Italy (BN27J-2E)	1	Not Shown
17-00364-20	Power Cord 240V Italy (BN27J-2E)	2	Not Shown
17-00364-20	Power Cord 240V Italy (BN27J-2E)	3	Not Shown
17-00364-20	Power Cord 240V Italy (BN27J-2E)	4	Not Shown
17-00456-13	Power Cord 240V India/South Africa (BN22K-2E)	1	Not Shown
17-00456-18	Power Cord 240V India/South Africa (BN27P-2E)	1	Not Shown
17-00456-18	Power Cord 240V India/South Africa (BN27P-2E)	2	Not Shown
17-00456-18	Power Cord 240V India/South Africa (BN27P-2E)	3	Not Shown
17-00456-18	Power Cord 240V India/South Africa (BN27P-2E)	4	Not Shown
17-00457-13	Power Cord 240V Israel (BN22L-2E)	1	Not Shown
17-00457-18	Power Cord 240V Israel (BN27N-2E)	1	Not Shown
17-00457-18	Power Cord 240V Israel (BN27N-2E)	2	Not Shown
17-00457-18	Power Cord 240V Israel (BN27N-2E)	3	Not Shown
17-00457-18	Power Cord 240V Israel (BN27N-2E)	4	Not Shown
17-01364-01	Cable Assembly .06 Cond, Molded, Shielded	3	7
17-01364-02	Cable Assembly .06 Cond, Molded, Shielded	1	6
17-01364-02	Cable Assembly .06 Cond, Molded, Shielded	2	6
17-01364-02	Cable Assembly .06 Cond, Molded, Shielded	4	7
36-36842-01	Label, "CE Mark"	1	7
36-36842-01	Label, "CE Mark"	2	7
36-36842-01	Label, "CE Mark"	3	8
36-36842-01	Label, "CE Mark"	4	8
36-37957-01	Label, "Serial, External"	1	8
36-37957-01	Label, "Serial, External"	2	8
36-37957-01	Label, "Serial, External"	3	9
36-37957-01	Label, "Serial, External"	4	9
36-38171-02	Label, "Regulatory 15 AMP" (US)	1	9
36-38171-03	Label, "Regulatory 15 AMP" (UK)	1	10
36-38171-04	Label, "Regulatory 20 AMP" (US)	1	11
36-38171-05	Label, "Regulatory 20 AMP" (UK)	1	12
36-38171-08	Label, "Regulatory 20 AMP" (US)	2	9
36-38171-09	Label, "Regulatory 20 AMP" (UK)	2	10
36-38171-10	Label, "Regulatory 20 AMP" (US)	3	10
36-38171-11	Label, "Regulatory 20 AMP" (UK)	3	11
36-38171-12	Label, "Regulatory 20 AMP" (US)	4	10
36-38171-13	Label, "Regulatory 20 AMP" (UK)	4	11
36-38609-01	Label, "Node Name" (Not Shown)	1	13
36-38609-01	Label, "Node Name" (Not Shown)	2	11
36-38609-01	Label, "Node Name" (Not Shown)	3	12
36-38609-01	Label, "Node Name" (Not Shown)	4	12
36-38793-01	Label, "Digital Logo"	1	14
36-38793-11	Label, "Digital Logo, Model 710"	2	12
36-38793-12	Label, "Digital Logo, Model 720"	2	13
36-38793-13	Label, "Olivetti Model LSX 7410"	3	13
36-38793-15	Label, "Olivetti Model LSX 7415"	4	13
36-38811-05	Label, "German EMI Postcard" (Not Shown)	1	15
36-38811-05	Label, "German EMI Postcard" (Not Shown)	2	14
36-38926-01	Label, "FCC Compliance"	1	16
36-38926-01	Label, "FCC Compliance"	2	15
36-38926-01	Label, "FCC Compliance"	3	14
36-38926-01	Label, "FCC Compliance"	4	14

INDEX BY DIGITAL PART NUMBER

DEC 4000 Pedestal Systems

PART NO.	DESCRIPTION	FIG NO.	ITEM NO.
37-01336-01	Package Assembly (Not Shown)	1	17
37-01336-01	Package Assembly (Not Shown)	2	16
37-01336-02	Package Assembly (Not Shown)	3	15
37-01336-02	Package Assembly (Not Shown)	4	15
430AK-A9	430AK-A9 15 AMP	1	N/A
430AK-B9	430AK-B9 15 AMP	1	N/A
430AK-C9	430AK-C9 20 AMP	1	N/A
430AK-D9	430AK-D9 20 AMP	1	N/A
430AX-C9	OLIVETTI MODEL LSX 7410 PEDESTAL SYSTEM	3	N/A
431AK-A9	431AK-A9 20 AMP	2	N/A
431AK-B9	431AK-B9 20 AMP	2	N/A
431AX-A9	OLIVETTI MODEL LSX 7415 PEDESTAL SYSTEM	4	N/A
70-27049-02	Bezel Assembly, Disk Drive	1	18
70-27049-02	Bezel Assembly, Disk Drive	2	17
70-27049-02	Bezel Assembly, Disk Drive	3	16
70-27049-02	Bezel Assembly, Disk Drive	4	16
70-27414-01	Bezel Assembly, Filler	1	19
70-27414-01	Bezel Assembly, Filler	2	18
70-27414-01	Bezel Assembly, Filler	3	17
70-27414-01	Bezel Assembly, Filler	4	17
70-28744-01	CHASSIS ASSEMBLY (Pedestal 15 AMP)	1	20
70-28744-02	CHASSIS ASSEMBLY (Pedestal 20 AMP)	1	21
70-28744-02	CHASSIS ASSEMBLY (Pedestal 20 AMP)	2	19
70-28744-02	CHASSIS ASSEMBLY (Pedestal 20 AMP)	3	18
70-28744-02	CHASSIS ASSEMBLY (Pedestal 20 AMP)	4	18
70-28744-03	CHASSIS ASSEMBLY (Rack Mount 15 AMP)	1	22
70-28744-04	CHASSIS ASSEMBLY (Rack Mount 20 AMP)	1	23
70-28744-04	CHASSIS ASSEMBLY (Rack Mount 20 AMP)	2	20
70-28767-01	Bulkhead Assembly (20 mm Blank)	3	19
70-28767-01	Bulkhead Assembly (20 mm Blank)	4	19
70-28767-01	Bulkhead Assembly (20 mm Blank)	1	24
70-28767-01	Bulkhead Assembly (20 mm Blank)	2	21
70-28767-03	Bulkhead Assembly (30 mm Blank)	1	25
70-28767-03	Bulkhead Assembly (30 mm Blank)	2	22
70-28767-03	Bulkhead Assembly (30 mm Blank)	3	20
70-28767-03	Bulkhead Assembly (30 mm Blank)	4	20
70-28767-05	Bulkhead Assembly (40 mm Blank)	1	26
70-28767-05	Bulkhead Assembly (40 mm Blank)	2	23
70-28767-05	Bulkhead Assembly (40 mm Blank)	3	21
70-28767-05	Bulkhead Assembly (40 mm Blank)	4	21
70-29491-01	STORAGELESS ELEMENT (DSSI)	1	27
70-29491-01	STORAGELESS ELEMENT (DSSI)	2	24
70-29491-01	Storageless Element (DSSI)	3	22
70-29491-01	Storageless Element (DSSI)	4	22
70-29491-02	STORAGELESS ELEMENT (SCSI)	1	28
70-29491-02	STORAGELESS ELEMENT (SCSI)	2	25
70-29491-02	Storageless Element (SCSI)	3	23
70-29491-02	Storageless Element (SCSI)	4	23
74-44024-02	Medallion (Olivetti)	3	24
74-44024-02	Medallion (Olivetti)	4	24

INDEX BY DIGITAL PART NUMBER
DEC 4000 Pedestal Systems

PART NO.	DESCRIPTION	FIG NO.	ITEM NO.
B2001-BA	Module, EV-4 CPU	1	1
B2001-BA	Module, EV-4 CPU	3	1
B2012-AA	Module, EV-4 CPU	2	1
B2012-AA	Module, EV-4 CPU	4	1

INDEX BY DIGITAL PART DESCRIPTION

DEC 4000 Pedestal Systems

DESCRIPTION	PART NO.	FIG. NO.	ITEM NO.
430AK-A9 15 AMP	430AK-A9	1	N/A
430AK-B9 15 AMP	430AK-B9	1	N/A
430AK-C9 20 AMP	430AK-C9	1	N/A
430AK-D9 20 AMP	430AK-D9	1	N/A
431AK-A9 20 AMP	431AK-A9	2	N/A
431AK-B9 20 AMP	431AK-B9	2	N/A
Bezel Assembly, Disk Drive	70-27049-02	1	18
Bezel Assembly, Disk Drive	70-27049-02	2	17
Bezel Assembly, Disk Drive	70-27049-02	3	16
Bezel Assembly, Disk Drive	70-27049-02	4	16
Bezel Assembly, Filler	70-27414-01	1	19
Bezel Assembly, Filler	70-27414-01	2	18
Bezel Assembly, Filler	70-27414-01	3	17
Bezel Assembly, Filler	70-27414-01	4	17
Bulkhead Assembly (20 mm Blank)	70-28767-01	3	19
Bulkhead Assembly (20 mm Blank)	70-28767-01	4	19
Bulkhead Assembly (20 mm Blank)	70-28767-01	1	24
Bulkhead Assembly (20 mm Blank)	70-28767-01	2	21
Bulkhead Assembly (30 mm Blank)	70-28767-03	1	25
Bulkhead Assembly (30 mm Blank)	70-28767-03	2	22
Bulkhead Assembly (30 mm Blank)	70-28767-03	3	20
Bulkhead Assembly (30 mm Blank)	70-28767-03	4	20
Bulkhead Assembly (40 mm Blank)	70-28767-05	1	26
Bulkhead Assembly (40 mm Blank)	70-28767-05	2	23
Bulkhead Assembly (40 mm Blank)	70-28767-05	3	21
Bulkhead Assembly (40 mm Blank)	70-28767-05	4	21
Cable Assembly .06 Cond, Molded, Shielded	17-01364-01	3	7
Cable Assembly .06 Cond, Molded, Shielded	17-01364-02	1	6
Cable Assembly .06 Cond, Molded, Shielded	17-01364-02	2	6
Cable Assembly .06 Cond, Molded, Shielded	17-01364-02	4	7
CHASSIS ASSEMBLY (Pedestal 15 AMP)	70-28744-01	1	20
CHASSIS ASSEMBLY (Pedestal 20 AMP)	70-28744-02	1	21
CHASSIS ASSEMBLY (Pedestal 20 AMP)	70-28744-02	2	19
CHASSIS ASSEMBLY (Pedestal 20 AMP)	70-28744-02	3	18
CHASSIS ASSEMBLY (Pedestal 20 AMP)	70-28744-02	4	18
CHASSIS ASSEMBLY (Rack Mount 15 AMP)	70-28744-03	1	22
CHASSIS ASSEMBLY (Rack Mount 20 AMP)	70-28744-04	1	23
CHASSIS ASSEMBLY (Rack Mount 20 AMP)	70-28744-04	2	20
Connector, Coax	12-26318-01	1	3
Connector, Coax	12-26318-01	2	3
Connector, Coax	12-26318-01	3	3
Connector, Coax	12-26318-01	4	3
DEC 4000 MODELS 610/620 PEDESTAL SYSTEMS	N/A	1	N/A
DEC 4000 MODELS 710/720 PEDESTAL SYSTEMS	N/A	2	N/A
Encoder Set, Lens	12-28766-19	1	4
Encoder Set, Lens	12-28766-19	2	4
Encoder Set, Lens	12-28766-19	3	4
Encoder Set, Lens	12-28766-19	4	4
Label, "CE Mark"	36-36842-01	1	7
Label, "CE Mark"	36-36842-01	2	7
Label, "CE Mark"	36-36842-01	3	8

INDEX BY DIGITAL PART DESCRIPTION

DEC 4000 Pedestal Systems

DESCRIPTION	PART NO.	FIG. NO.	ITEM NO.
Label, "CE Mark"	36-36842-01	4	8
Label, "Digital Logo"	36-38793-01	1	14
Label, "Digital Logo, Model 710"	36-38793-11	2	12
Label, "Digital Logo, Model 720"	36-38793-12	2	13
Label, "FCC Compliance"	36-38926-01	1	16
Label, "FCC Compliance"	36-38926-01	2	15
Label, "FCC Compliance"	36-38926-01	3	14
Label, "FCC Compliance"	36-38926-01	4	14
Label, "German EMI Postcard" (Not Shown)	36-38811-05	1	15
Label, "German EMI Postcard" (Not Shown)	36-38811-05	2	14
Label, "Node Name" (Not Shown)	36-38609-01	1	13
Label, "Node Name" (Not Shown)	36-38609-01	2	11
Label, "Node Name" (Not Shown)	36-38609-01	3	12
Label, "Node Name" (Not Shown)	36-38609-01	4	12
Label, "Olivetti Model LSX 7410"	36-38793-13	3	13
Label, "Olivetti Model LSX 7415"	36-38793-15	4	13
Label, "Regulatory 20 AMP" (US)	36-38171-04	1	11
Label, "Regulatory 20 AMP" (US)	36-38171-12	4	10
Label, "Regulatory 15 AMP" (UK)	36-38171-03	1	10
Label, "Regulatory 15 AMP" (US)	36-38171-02	1	9
Label, "Regulatory 20 AMP" (UK)	36-38171-05	1	12
Label, "Regulatory 20 AMP" (UK)	36-38171-09	2	10
Label, "Regulatory 20 AMP" (UK)	36-38171-1	4	11
Label, "Regulatory 20 AMP" (UK)	36-38171-11	3	11
Label, "Regulatory 20 AMP" (US)	36-38171-08	2	9
Label, "Regulatory 20 AMP" (US)	36-38171-10	3	10
Label, "Serial, External"	36-37957-01	1	8
Label, "Serial, External"	36-37957-01	2	8
Label, "Serial, External"	36-37957-01	3	9
Label, "Serial, External"	36-37957-01	4	9
Medallion (Olivetti)	74-44024-02	3	24
Medallion (Olivetti)	74-44024-02	4	24
Module, EV-4 CPU	B2001-BA	1	1
Module, EV-4 CPU	B2001-BA	3	1
Module, EV-4 CPU	B2012-AA	2	1
Module, EV-4 CPU	B2012-AA	4	1
OLIVETTI MODEL LSX 7410 PEDESTAL SYSTEM	430AX-C9	3	N/A
OLIVETTI MODEL LSX 7415 PEDESTAL SYSTEM	431AX-A9	4	N/A
Package Assembly (Not Shown)	37-01336-01	1	17
Package Assembly (Not Shown)	37-01336-01	2	16
Package Assembly (Not Shown)	37-01336-02	3	15
Package Assembly (Not Shown)	37-01336-02	4	15
Power Cord 120V U.S./Japan/Canada (BN27H-2E)	17-00083-53	2	Not Shown
Power Cord 120V U.S./Japan/Canada (BN27H-2E)	17-00083-53	3	Not Shown
Power Cord 120V U.S./Japan/Canada (BN27H-2E)	17-00083-53	4	Not Shown
Power Cord 240V Australia/New Zealand (BN22C-2E)	17-00198-11	1	Not Shown
Power Cord 240V Australia/New Zealand (BN27L-2E)	17-00198-16	1	Not Shown
Power Cord 240V Australia/New Zealand (BN27L-2E)	17-00198-16	2	Not Shown
Power Cord 240V Australia/New Zealand (BN27L-2E)	17-00198-16	3	Not Shown
Power Cord 240V Australia/New Zealand (BN27L-2E)	17-00198-16	4	Not Shown
Power Cord 240V Central Europe (BN22D-2E)	17-00199-16	1	Not Shown
Power Cord 240V Central Europe (BN27M-2E)	17-00199-24	1	Not Shown

INDEX BY DIGITAL PART DESCRIPTION

DEC 4000 Pedestal Systems

DESCRIPTION	PART NO.	FIG. NO.	ITEM NO.
Power Cord 240V Central Europe (BN27M-2E)	17-00199-24	2	Not Shown
Power Cord 240V Central Europe (BN27M-2E)	17-00199-24	3	Not Shown
Power Cord 240V Central Europe (BN27M-2E)	17-00199-24	4	Not Shown
Power Cord 240V Denmark (BN22H-2E)	17-00310-10	1	Not Shown
Power Cord 240V Denmark (BN27K-2E)	17-00310-11	1	Not Shown
Power Cord 240V Denmark (BN27K-2E)	17-00310-11	2	Not Shown
Power Cord 240V Denmark (BN27K-2E)	17-00310-11	3	Not Shown
Power Cord 240V Denmark (BN27K-2E)	17-00310-11	4	Not Shown
Power Cord 240V India/South Africa (BN22K-2E)	17-00456-13	1	Not Shown
Power Cord 240V India/South Africa (BN27P-2E)	17-00456-18	1	Not Shown
Power Cord 240V India/South Africa (BN27P-2E)	17-00456-18	2	Not Shown
Power Cord 240V India/South Africa (BN27P-2E)	17-00456-18	3	Not Shown
Power Cord 240V India/South Africa (BN27P-2E)	17-00456-18	4	Not Shown
Power Cord 240V Israel (BN22L-2E)	17-00457-13	1	Not Shown
Power Cord 240V Israel (BN27N-2E)	17-00457-18	1	Not Shown
Power Cord 240V Israel (BN27N-2E)	17-00457-18	2	Not Shown
Power Cord 240V Israel (BN27N-2E)	17-00457-18	3	Not Shown
Power Cord 240V Israel (BN27N-2E)	17-00457-18	4	Not Shown
Power Cord 240V Italy (BN22J-2E)	17-00364-13	1	Not Shown
Power Cord 240V Italy (BN27J-2E)	17-00364-20	1	Not Shown
Power Cord 240V Italy (BN27J-2E)	17-00364-20	2	Not Shown
Power Cord 240V Italy (BN27J-2E)	17-00364-20	3	Not Shown
Power Cord 240V Italy (BN27J-2E)	17-00364-20	4	Not Shown
Power Cord 240V Switzerland (BN22F-2E)	17-00210-10	1	Not Shown
Power Cord 240V Switzerland (BN27G-2E)	17-00210-15	1	Not Shown
Power Cord 240V Switzerland (BN27G-2E)	17-00210-15	2	Not Shown
Power Cord 240V Switzerland (BN27G-2E)	17-00210-15	3	Not Shown
Power Cord 240V Switzerland (BN27G-2E)	17-00210-15	4	Not Shown
Power Cord 240V U.K./Ireland (BN22E-2E)	17-00209-13	1	Not Shown
Power Cord 240V U.K./Ireland (BN27Q-2E)	17-00209-20	1	Not Shown
Power Cord 240V U.K./Ireland (BN27Q-2E)	17-00209-20	2	Not Shown
Power Cord 240V U.K./Ireland (BN27Q-2E)	17-00209-20	3	Not Shown
Power Cord 240V U.K./Ireland (BN27Q-2E)	17-00209-20	4	Not Shown
Power Cord 240V U.S./Japan/Canada (BN20B-2E)	17-00083-44	1	Not Shown
Power Cord 240V U.S./Japan/Canada (BN27R-2E)	17-00083-54	4	Not Shown
Power Cord 240V U.S./Japan/Canada (BN27R-2E)	17-00083-55	1	Not Shown
Power Cord 240V U.S./Japan/Canada (BN27R-2E)	17-00083-55	2	Not Shown
Power Cord 240V U.S./Japan/Canada (BN27R-2E)	17-00083-55	3	Not Shown
Power Cord, 03 Cond.	17-00083-53	3	6
Power Cord, 03 Cond.	17-00083-53	4	6
Power Cord 120V 15AMP U.S./Japan/Canada (BN20A-2E) (added)	17-00083-43	1	Not Shown
Power Cord 120V 20AMP U.S./Japan/Canada (BN27H-2E) (added)	17-00083-53	1	Not Shown
STORAGELESS ELEMENT (DSSI)	70-29491-01	1	27
STORAGELESS ELEMENT (DSSI)	70-29491-01	2	24
STORAGELESS ELEMENT (SCSI)	70-29491-02	1	28
STORAGELESS ELEMENT (SCSI)	70-29491-02	2	25
Storageless Element (DSSI)	70-29491-01	3	22
Storageless Element (DSSI)	70-29491-01	4	22
Storageless Element (SCSI)	70-29491-02	3	23
Storageless Element (SCSI)	70-29491-02	4	23

INDEX BY DIGITAL PART DESCRIPTION

DEC 4000 Pedestal Systems

DESCRIPTION	PART NO.	FIG. NO.	ITEM NO.
Tee, Coax	12-25869-01	1	2
Tee, Coax	12-25869-01	2	2
Tee, Coax	12-25869-01	3	2
Tee, Coax	12-25869-01	4	2
Terminator (SCSI)	12-30552-01	1	5
Terminator (SCSI)	12-30552-01	2	5
Terminator (SCSI)	12-30552-01	3	5
Terminator (SCSI)	12-30552-01	4	5