

AlphaServer 2100/2100A Series
Illustrated Parts Breakdown

Order Number: EK-SY450-IP. D01

Digital Equipment Corporation
Maynard, Massachusetts

Digital Equipment Corporation reserves the right, without notice, to make substitutions and modifications in the specifications of products documented in this manual and further reserves the right to withdraw any of these products from the market without notice.

Digital Equipment Corporation is not responsible for errors which may appear in the technical description (including illustrations and photographs) of the products covered by this manual.

None of the descriptions contained in this manual imply the granting of any license whatsoever to make, use or sell equipment constructed in accordance therewith.

Restricted Rights: Use, duplication or disclosure by the U.S. Government is subject to restrictions as set forth in subparagraph (c) (1) (ii) of the Rights in Technical Data and Computer Software clause at DFARS 252.227-2713.

Copyright © 1994, 1995 by Digital Equipment Corporation. All rights reserved.
Printed in U.S.A.

The following are trademarks of Digital Equipment Corporation :
AlphaGeneration, AlphaServer, CACHEBUS, DEC, DECdirect, DECpc, Digital UNIX, Open VMS, StorageWorks and the Digital logo.

The following are third party trademarks:
MicroSoft is a registered trademark and Microsoft Windows NT is a trademark of Microsoft Corporation.
PS/2 is a registered trademark of International Business Machines Corporation.

Reader's Comments

Digital welcomes your comments on this or any other manual.
You can send your comments to Digital in the following ways:

- Internet electronic mail to: *readers_comment@zk3.dec.com*
- Mail:

Digital Equipment Corporation
Shared Engineering Services
Digital Drive MKO1-2/E12
P.O. BOX 9501
Merrimack, NH 03054-9982

Please reference EK-SY450-IP. D01 in your correspondence.



ILLUSTRATED PARTS BREAKDOWN

AlphaServer 2100/2100A Series

ILLUSTRATED PARTS BREAKDOWN (IPB)

The IPB is used to identify a part and its location in a hardware product. The document references specific item numbers in the associated parts list.

HOW TO USE THE IPB

1. Locate the figure containing the item of interest.
2. Locate the number (callout) of the item of interest.
3. Locate that item number in the associated parts list.

FORMAT

Each IPB is generally organized based on its first figure. All other assemblies and subassemblies are referenced from this figure. Each figure contains numeric callouts of all major parts (items).

PARTS LIST

Each parts list contains the following:

Figure and Item No. – Lists the figure number and its referenced numeric callout

Description – Presents the name and a brief description of the item. A single asterisk (*) preceding the description denotes item is a

subassembly to its referenced figure. A double asterisk (**) preceding the description indicates that this item is subordinate to the preceding single asterisk item.

Digital Part No. – Lists the Digital/Vendor part number. The letter in the column heading indicates the current revision level of the Engineering Drawing for the referenced figure.

ECO Cut-In – Lists the top assembly drawing number and revision level at first printing. All additional revisions to an item are listed in this column.

Used On Code – Lists letters referring to the product variation assigned in Figure 1. When this column is blank, the item is used in all variations.

Ref Fig No. – Lists a cross reference between figures within the IPB.

PART NUMBER/PART DESCRIPTION INDEX SECTION

Lists items by part number numerically, and description alphabetically. Items are also referenced to a location within the IPB by figure and item number.

ECO/REVISION HISTORY

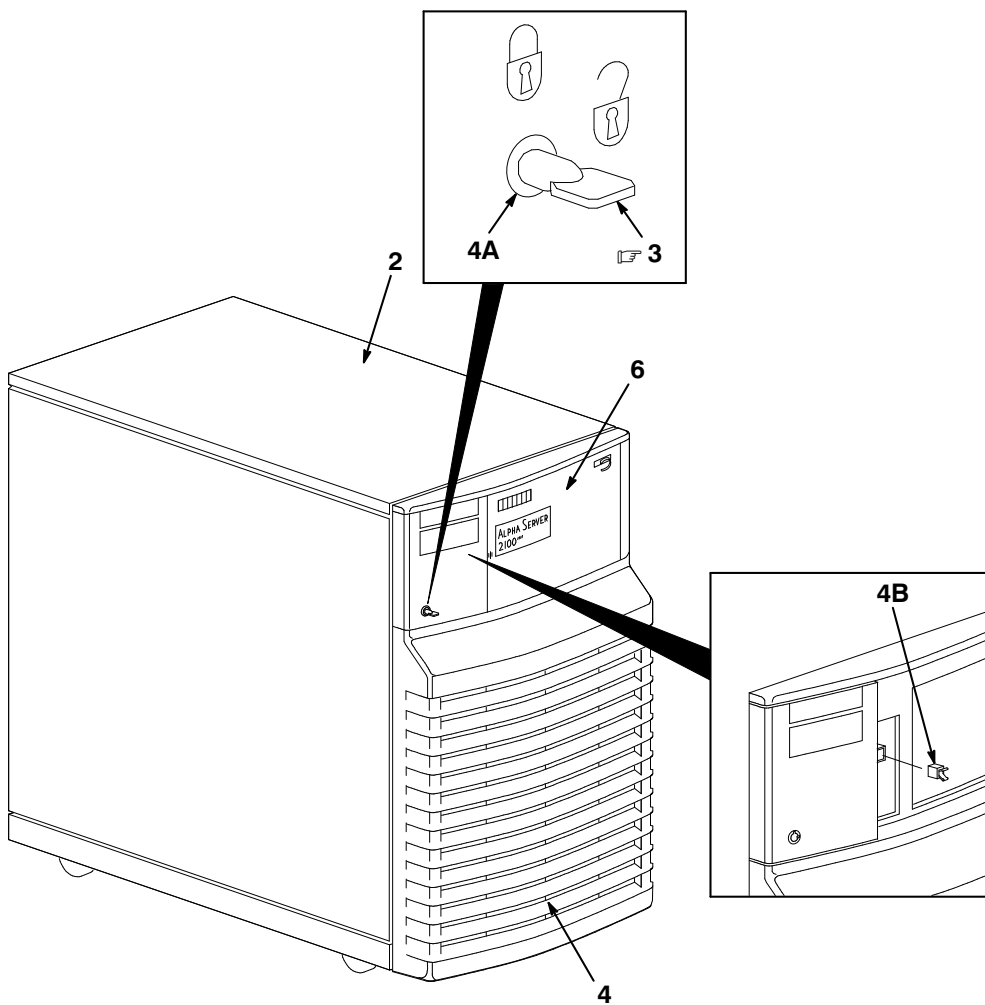
OTHER IPB MANUALS REFERENCED

FIGURE NO.	ASSEMBLY	INITIAL LEVEL	CURRENT LEVEL	PRINTING DATE	OTHER IPB MANUALS REFERENCED
1	450AP	00000	00002	27-NOV-95	N/A
1	450NP	00000	00002		
1	450XP	00000	00002		
1	450YP	00000	00003		
1	455AP	00001	00001		
1	455NP	00001	00001		
1	455XP	00001	00001		
1	455YP	00001	00001		
1	460AP	00002	00002		
1	460NP	00002	00002		
1	460XP	00002	00002		
1	460YP	00002	00002		
1	470AP	00000	00001		
1	470NP	00000	00001		
1	470XP	00000	00001		
1	470YP	00000	00001		
1	480AP	00000	00000		
1	480NP	00000	00000		
1	480XP	00000	00000		
1	480YP	00000	00000		

ECO/REVISION HISTORY (Continued)				
FIGURE NO.	ASSEMBLY	INITIAL LEVEL	CURRENT LEVEL	
1	460AS	00000	00000	
1	460NS	00000	00000	
1	460XS	00000	00000	
1	460YS	00000	00000	
1	470AS	00000	00000	
1	470NS	00000	00000	
1	470XS	00000	00000	
1	470YS	00000	00000	
1	480AS	00000	00000	
1	480NS	00000	00000	
1	480XS	00000	00000	
1	480YS	00000	00000	
2 & 3	BA740	00000	00003	
4	70-31278	00000	00001	
5	70-31280	00000	00002	
6	70-30117	00000	00000	
7	70-31481	00000	00000	
8	xxxxx	xxxxx	xxxxx	

  INDICATES FRU LEVEL PARTS.

PARTS LIST 

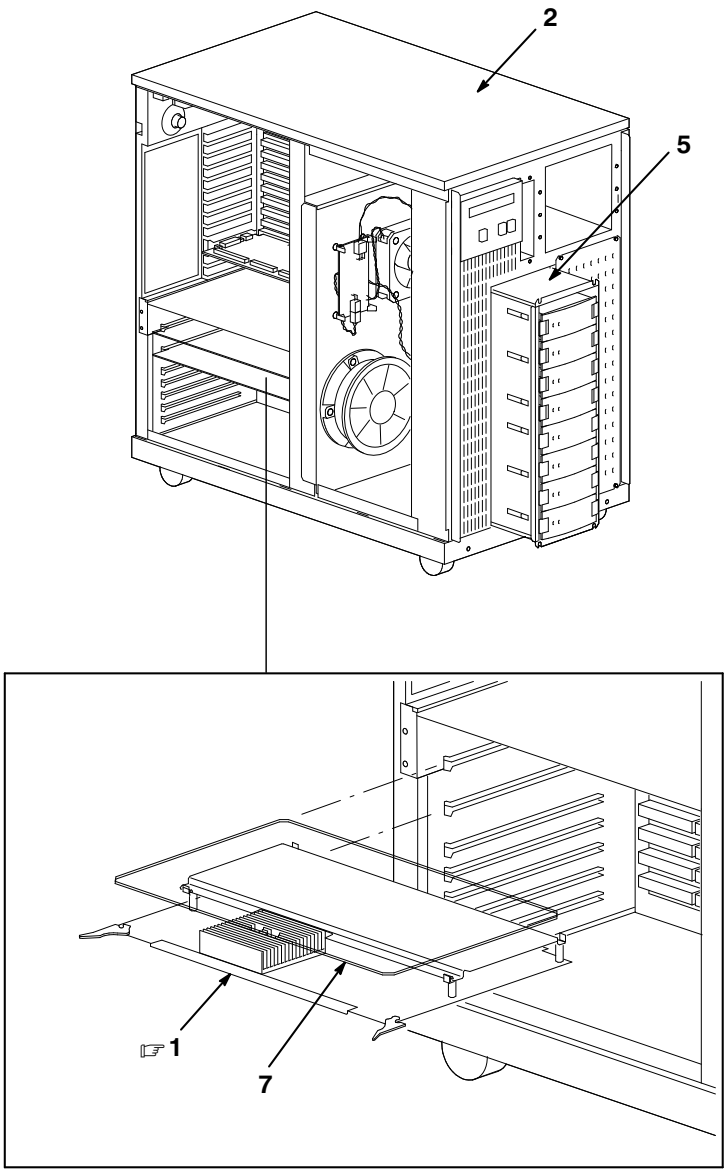


IP-SY450-01

Figure 1. AlphaServer 2100/2100A Series (Sheet 1 of 2)

PARTS LIST 

  INDICATES FRU LEVEL PARTS.



IP-SY450-01A

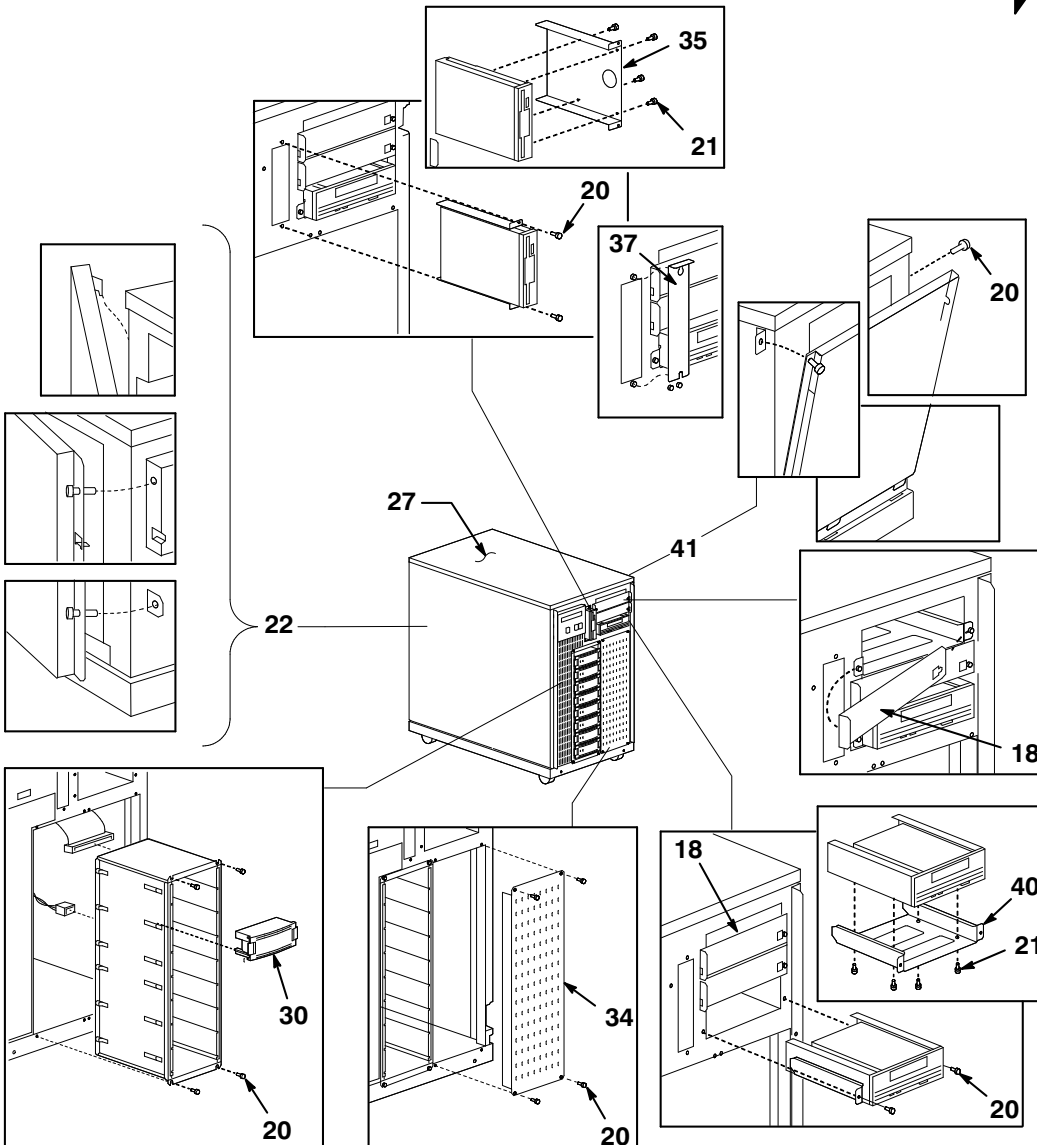
Figure 1. AlphaServer 2100/2100A Series (Sheet 2 of 2)

FIG. & ITEM NO.	DESCRIPTION	DIGITAL PART NO.	ECO CUT-IN	USED ON CODE	REF FIG NO.
1-	AlphaServer 2100/2100A Series				
A	AlphaServer 2100 MODEL 4/200 (Digital UNIX)	450AP-A9		A	
A	AlphaServer 2100 MODEL 4/200 (NT)	450NP-A9		A	
A	AlphaServer 2100 MODEL 4/200	450XP-A9		A	
A	AlphaServer 2100 MODEL 4/200 (VMS)	450YP-A9		A	
B	AlphaServer 2100 MODEL 4/233 (Digital UNIX)	455AP-A9		B	
B	AlphaServer 2100 MODEL 4/233 (NT)	455NP-A9		B	
B	AlphaServer 2100 MODEL 4/233	455XP-A9		B	
B	AlphaServer 2100 MODEL 4/233 (VMS)	455YP-A9		B	
C	AlphaServer 2100 MODEL 4/275 (Digital UNIX)	460AP-A9		C	
C	AlphaServer 2100 MODEL 4/275 (NT)	460NP-A9		C	
C	AlphaServer 2100 MODEL 4/275	460XP-A9		C	
C	AlphaServer 2100 MODEL 4/275 (VMS)	460YP-A9		C	
D	AlphaServer 2100 MODEL 5/250 (Digital UNIX)	470AP-A9		D	
D	AlphaServer 2100 MODEL 5/250 (NT)	470NP-A9		D	
D	AlphaServer 2100 MODEL 5/250	470XP-A9		D	
D	AlphaServer 2100 MODEL 5/250 (VMS)	470YP-A9		D	
E	AlphaServer 2100 MODEL 5/300 (Digital UNIX)	480AP-A9		E	
E	AlphaServer 2100 MODEL 5/300 (NT)	480NP-A9		E	
E	AlphaServer 2100 MODEL 5/300	480XP-A9		E	
E	AlphaServer 2100 MODEL 5/300 (VMS)	480YP-A9		E	
F	AlphaServer 2100A MODEL 4/275 (Digital UNIX)	460AS-A9		F	
F	AlphaServer 2100A MODEL 4/275 (NT)	460NS-A9		F	
F	AlphaServer 2100A MODEL 4/275	460XS-A9		F	
F	AlphaServer 2100A MODEL 4/275 (VMS)	460YS-A9		F	
G	AlphaServer 2100A MODEL 5/250 (Digital UNIX)	470AS-A9		G	
G	AlphaServer 2100A MODEL 5/250 (NT)	470NS-A9		G	
G	AlphaServer 2100A MODEL 5/250	470XS-A9		G	
G	AlphaServer 2100A MODEL 5/250 (VMS)	470YS-A9		G	
H	AlphaServer 2100A MODEL 5/300 (Digital UNIX)	480AS-A9		H	
H	AlphaServer 2100A MODEL 5/300 (NT)	480NS-A9		H	
H	AlphaServer 2100A MODEL 5/300	480XS-A9		H	
H	AlphaServer 2100A MODEL 5/300 (VMS)	480YS-A9		H	

FIG. & ITEM NO.	DESCRIPTION	DIGITAL PART NO.	ECO CUT-IN	USED ON CODE	REF FIG NO.
1-	AlphaServer 2100/2100A Series (continued)				
1	*Module, AXP 2000 CPU, EV4-S Chip	B2020-AA		A	
	*Module, AXP 2000 CPU, 233 MHz, 1 MB Chip	B2020-BA		B	
	*Module, AXP 2000 CPU, EV4.5 Chip	B2024-AA		CF	
	*Module, AXP 2000 CPU, EV5 Chip	B2040-AB		DG	
	*Module, AXP 2000 CPU, EV5, 300 MHz Chip	B2040-BA		EH	
2	*ENCLOSURE ASSEMBLY, 2100, 3 PCI	BA740-A9		ABCDE	2
	*ENCLOSURE ASSEMBLY, 2100A, 8 PCI	BA740-B9		FGH	3
3	*Key, w/Black Plastic Cover	12-36437-03			
4	*DOOR ASSEMBLY, FRONT	70-31279-03			
4A	**Lock, Keyed	12-36437-01			
4B	**Latch, Mini Push	12-41662-01			
5	*StorageWorks, 8 BIT SCSI	70-30117-01		A	6
	*StorageWorks, 16 BIT/8 BIT SCSI (BA35E-SA)	70-31481-01		BCD EFGH	7
6	*Door, Access (2100, 4/200)	74-47789-01		A	
	*Door, Access (2100, 4/233)	74-47789-04		B	
	*Door, Access (2100, 4/275)	74-47789-05		C	
	*Door, Access (2100, 5/250)	74-47789-06		D	
	*Door, Access (2100, 5/300)	74-47789-07		E	
	*Door, Access (2100A, 4/275)	74-47789-11		F	
	*Door, Access (2100A, 5/250)	74-47789-09		G	
	*Door, Access (2100A, 5/300)	74-47789-10		H	
7	*Filler, CBUS Module Airflow	74-48265-01			
8	*Kit, EISA System Configuration (Not Shown)	QC-01YAA-HC			
9	Documentation, "Owner's Guide" (Not Shown)	EK-KN450-OP		ABCDE	
	Documentation, "Service Guide" (Not Shown)	EK-KN450-SV		ABCDE	
	Documentation, "Owner's Guide" (Not Shown)	EK-2100A-OP		FGH	
	Documentation, "Service Guide" (Not Shown)	EK-2100A-SV		FGH	
	INTERNAL STORAGE				8

INDICATES FRU LEVEL PARTS.

PARTS LIST

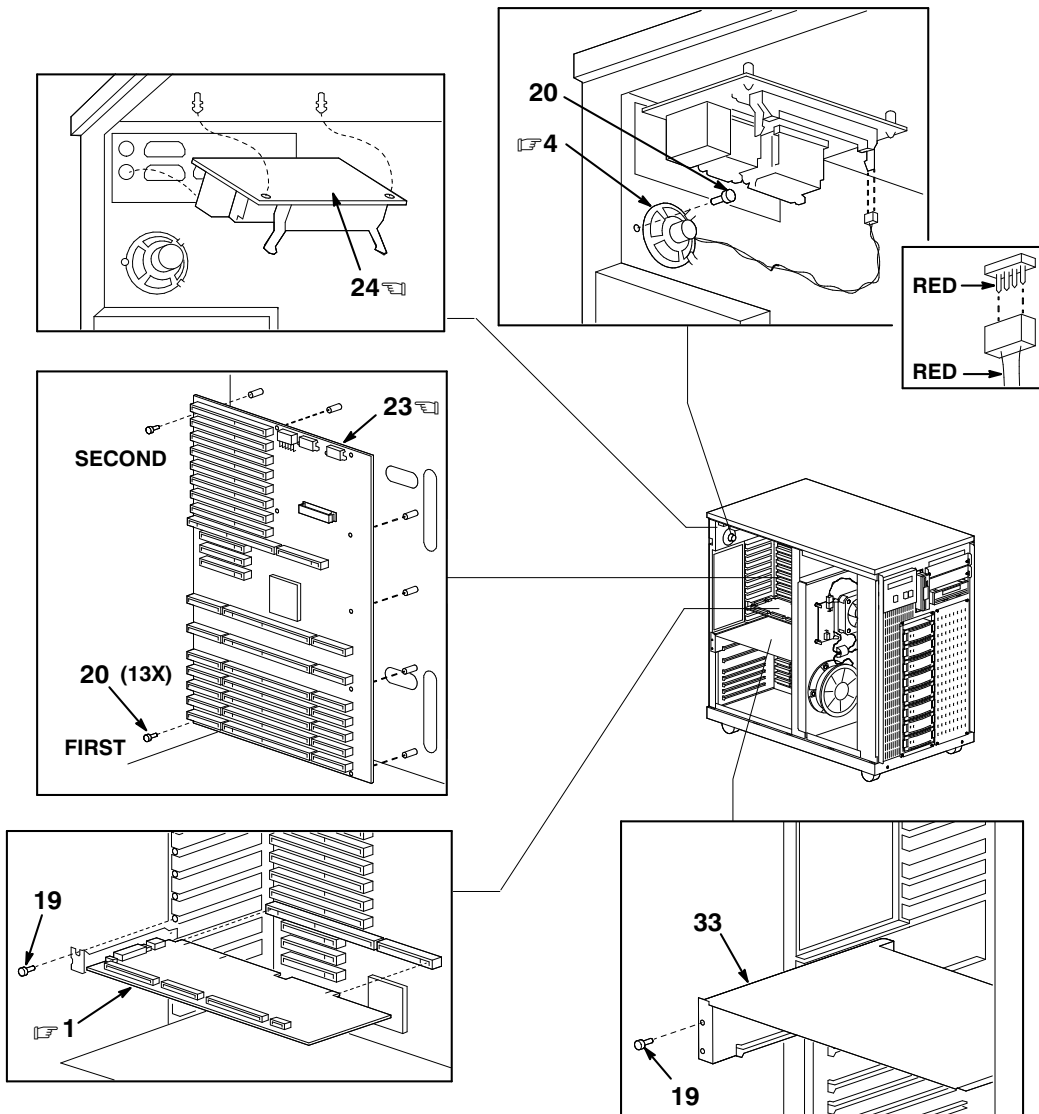


IP-SY450-02

Figure 2. Enclosure Assembly, BA740-A9 (Sheet 1 of 5)

INDICATES FRU LEVEL PARTS.

PARTS LIST

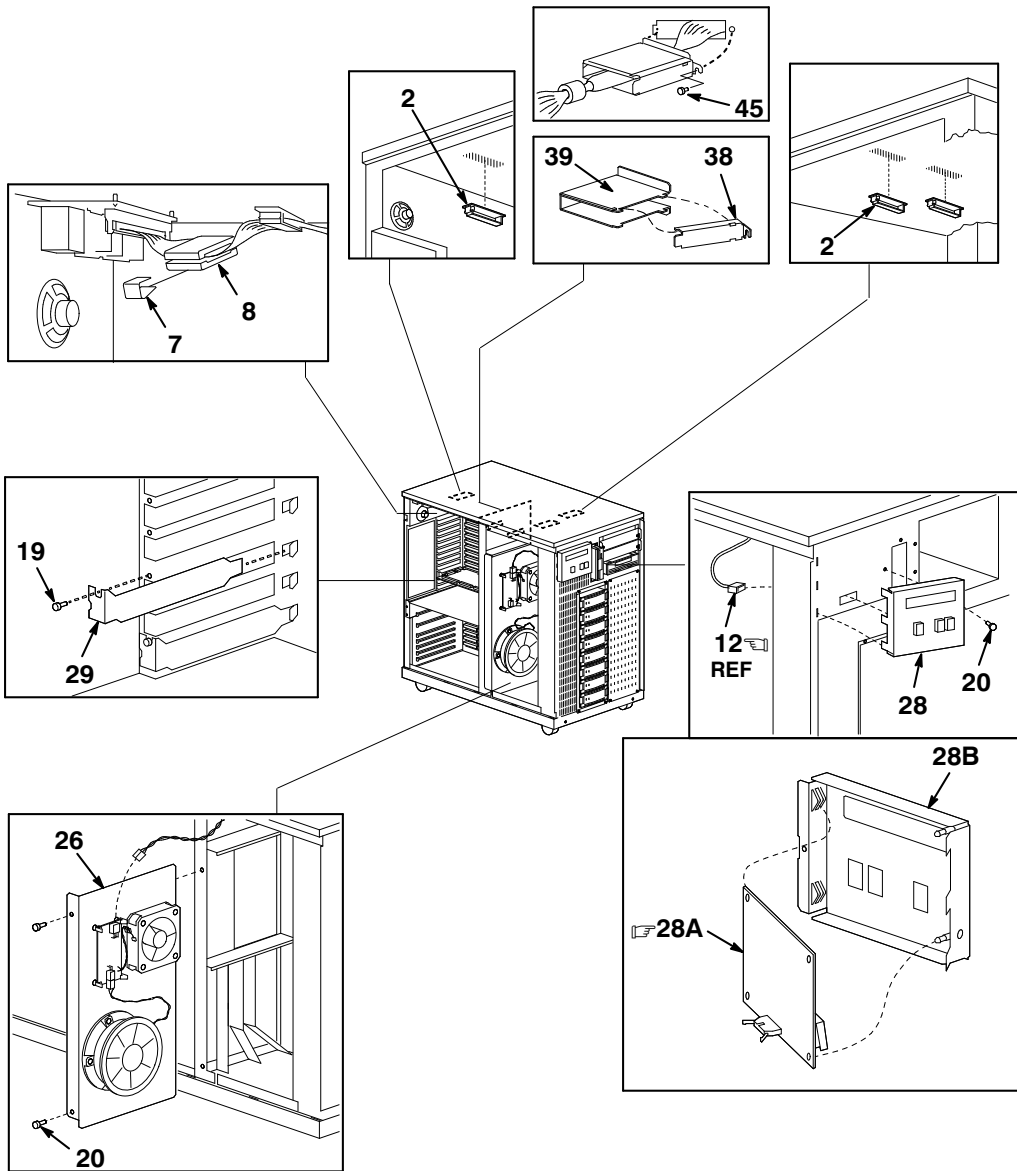


IP-SY450-02A

Figure 2. Enclosure Assembly, BA740-A9 (Sheet 2 of 5)

 INDICATES FRU LEVEL PARTS.

PARTS LIST 

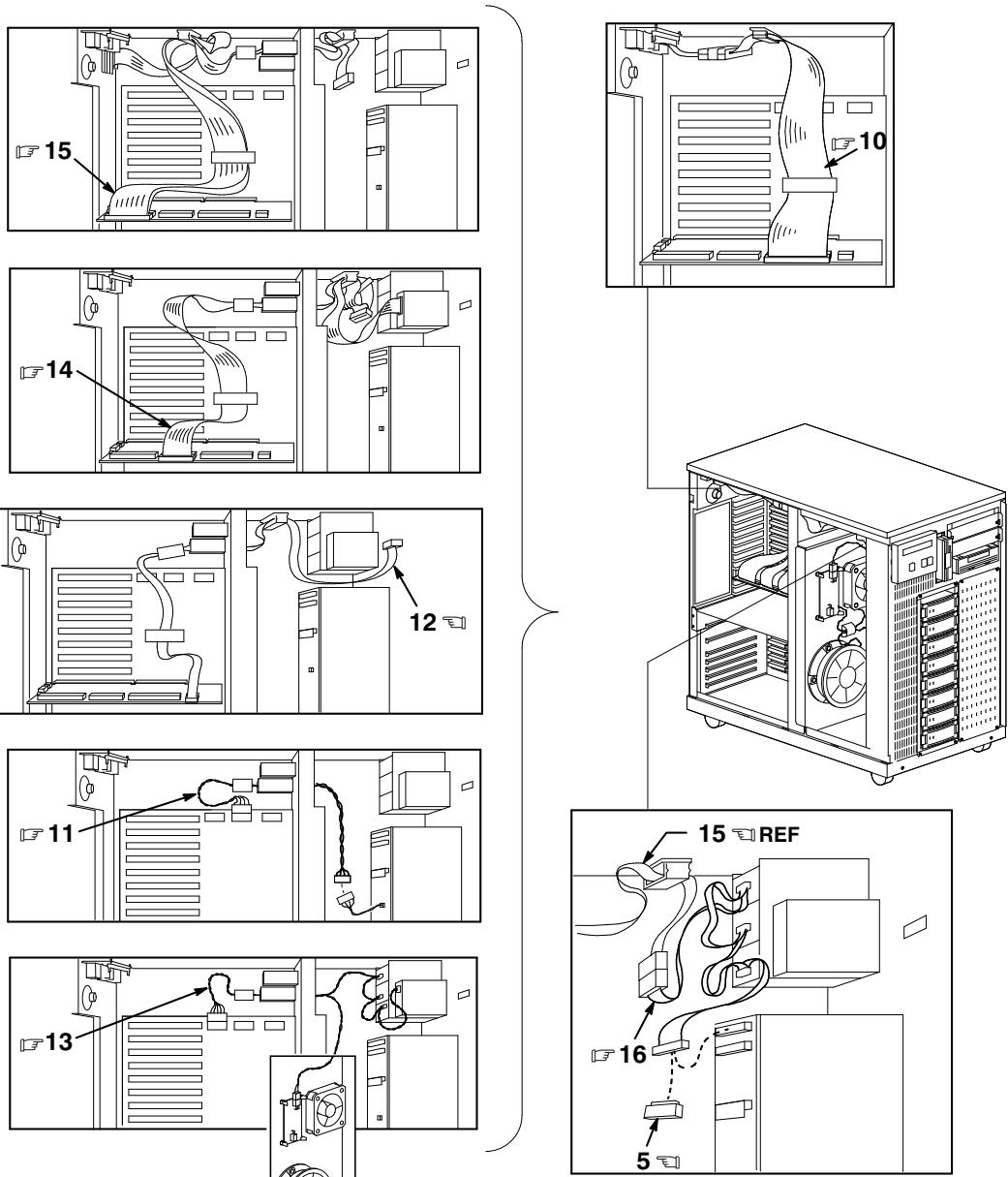


IP-SY450-02B

Figure 2. Enclosure Assembly, BA740-A9 (Sheet 3 of 5)

INDICATES FRU LEVEL PARTS.

PARTS LIST

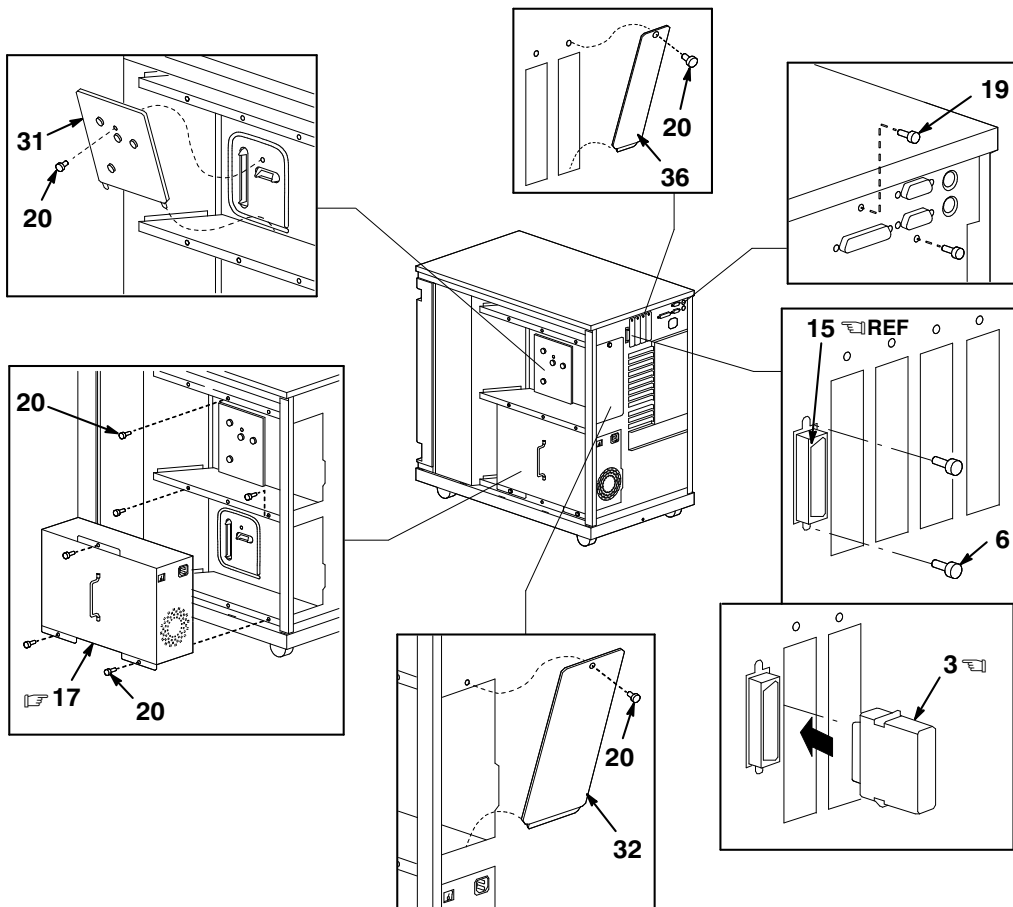


IP-SY450-02C

Figure 2. Enclosure Assembly, BA740-A9 (Sheet 4 of 5)

☐ ☐ INDICATES FRU LEVEL PARTS.

PARTS LIST



IP-SY450-02D

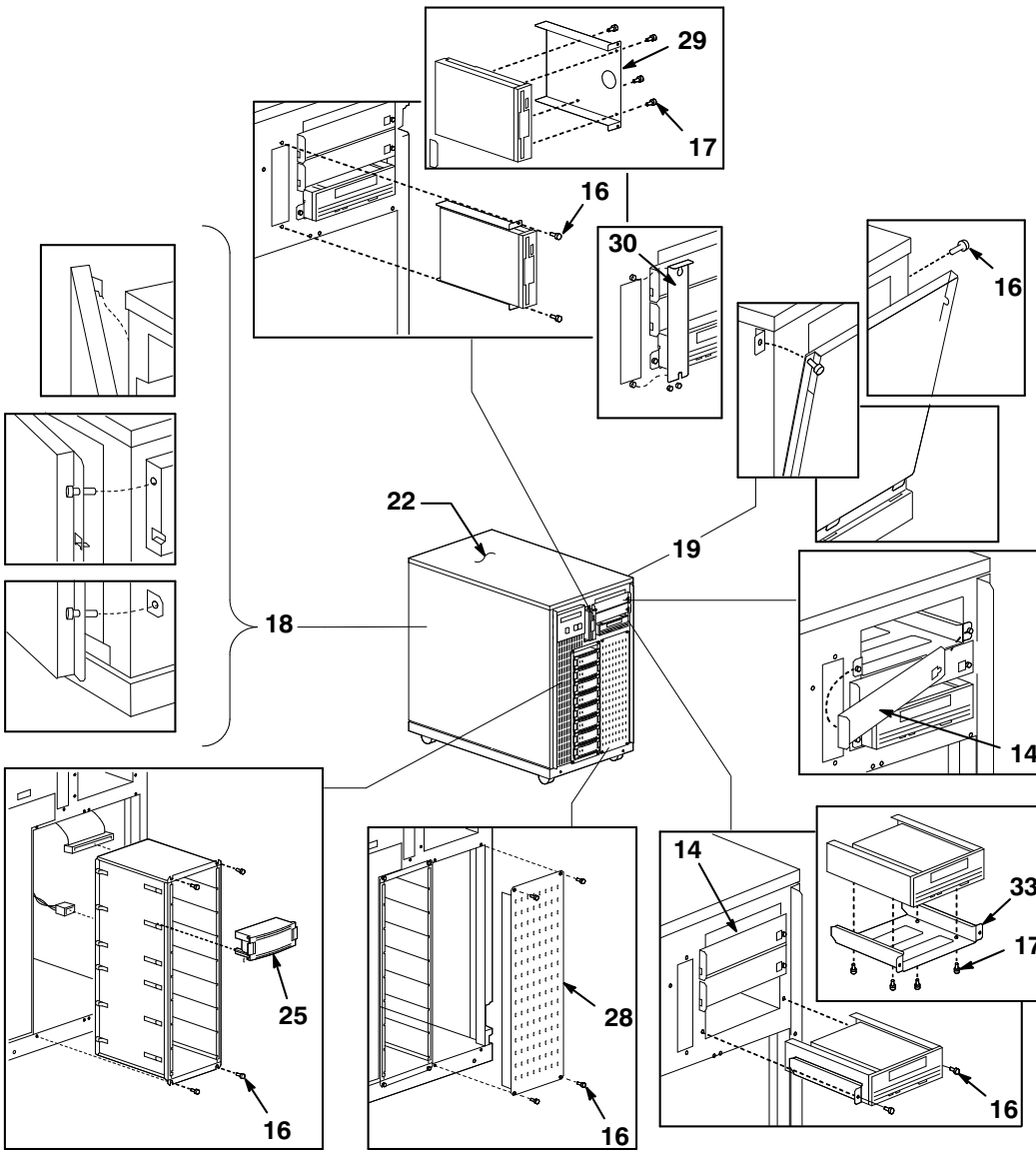
Figure 2. Enclosure Assembly, BA740-A9 (Sheet 5 of 5)

FIG. & ITEM NO.	DESCRIPTION	D DIGITAL PART NO.	ECO CUT-IN BA740 00000	USED ON CODE	REF FIG NO.
2- A	ENCLOSURE ASSEMBLY, 2100, 3 PCI	BA740-A9			1
1	*Module, Standard I/O, PCI-EISA	B2110-AA			
2	*Clip, Flat Cable (Adhesive Backed)	12-15843-02			
3	*Terminator, SCSI-2, 50 Pos.	12-37004-04			
4	*Speaker w/4 Pos. Connector, Wire Assembly	12-39309-01			
5	*Terminator, SCSI, Feed-Thru	12-41296-01			
6	*Screw, Mach Pan Hd No. 4-40 x 1/4	12-41427-01			
7	*Choke Assembly, Common Mode, Spring Clip	16-25105-13			
8	*Choke Assembly, Common Mode, Bus Bar	16-25105-20			
	POWER CORDS (Not Shown)				
9	Power Cord (U.S., Japan, Canada) (BN27Y-1J)	17-00083-15			
	Power Cord (Australia, New Zealand) (BN19H-2E)	17-00198-14			
	Power Cord (Austria, Belgium, France, Germany, Finland, Holland, Norway, Sweden, Portugal, Spain) (BN19C-2E)	17-00199-21			
	Power Cord (U.K., Ireland) (BN19A-2E)	17-00210-15			
	Power Cord (Switzerland) (BN19E-2E)	17-00210-13			
	Power Cord (Denmark) (BN19K-2E)	17-00310-08			
	Power Cord (Italy) (BN19M-2E)	17-00364-18			
	Power Cord (India, South Africa) (BN19S-2E)	17-00456-16			
	Power Cord (Israel) (BN18L-2E)	17-00457-16			
10	*Cable, Flat, 60 Cond., to Remote I/O	17-02784-03			
11	*Cable, 4 Cond., Power to StorageWorks	17-03868-01			
12	*Cable, 10 Cond., to OCP	17-03869-01			
13	*Cable, 12 Cond., Power to Fan & Removables	17-03870-01			
14	*Cable, 34 Cond., Floppy bus	17-03871-01			
15	*Cable, 50 Cond., SCSI	17-03872-01			
16	*Cable, 50 Cond., SCSI Removables	17-03873-01			
17	*Power Supply, 600W	30-41274-01			
18	*Blank, 5 1/4 Inch Removable, Half Height	74-49002-01			
19	*Screw, Sems Pan Hd No. 6-32 x 5/16	90-09701-00			
20	*Screw, Thrl M4, Pan 10 mm	90-40005-06			
21	*Screw, Mach M3, Flat 6 mm	90-40122-03			
22	*Door, Left	74-48280-02			
23	*Module, Backplane, 8 EISA/3 PCI	54-23149-01			
24	*Module, Remote I/O Panel	54-23151-01			
25	*Nut, Kep, M3, 5.5 mm	90-40203-01			
26	*FAN TRAY ASSEMBLY	70-31278-01			4
27	*ENCLOSURE ASSEMBLY, CHASSIS	70-31280-01			5
28	*OCP ASSEMBLY	70-31281-01			
28A	**Module, Operator Control Panel	54-23180-01			
28B	**Bracket, OCP	74-47797-01			

FIG. & ITEM NO.	DESCRIPTION	DIGITAL PART NO. ^D	ECO CUT-IN BA740 0000	USED ON CODE	REF FIG NO.
2- A	ENCLOSURE ASSEMBLY, BA740-A9 (continued)				1
29	*Blank, EISA/PCI Window	74-42440-01			
30	*Bezel, Blank, StorageWorks	74-45644-01			
31	*Blank, Power Supply - Card Cage	74-47874-01			
32	*Blank, Power Supply - Rear	74-47875-01			
33	*Card Cage Divide, CPU Filler	74-47876-01			
34	*Blank, 8 Slot Storage Cage	74-47877-01			
35	*Tray, Storage (3 1/2 Inch)	74-47878-01			
36	*Blank, Storage Bus	74-47879-01			
37	*Blank, 3 1/2 Inch Storage	74-47880-01			
38	*Waveguide, Side	74-50098-01			
39	*Waveguide, Channel	74-50097-01			
40	*Tray, Storage (For Removables)	74-48179-01			
41	*Panel, Right	74-48279-02			

INDICATES FRU LEVEL PARTS.

PARTS LIST

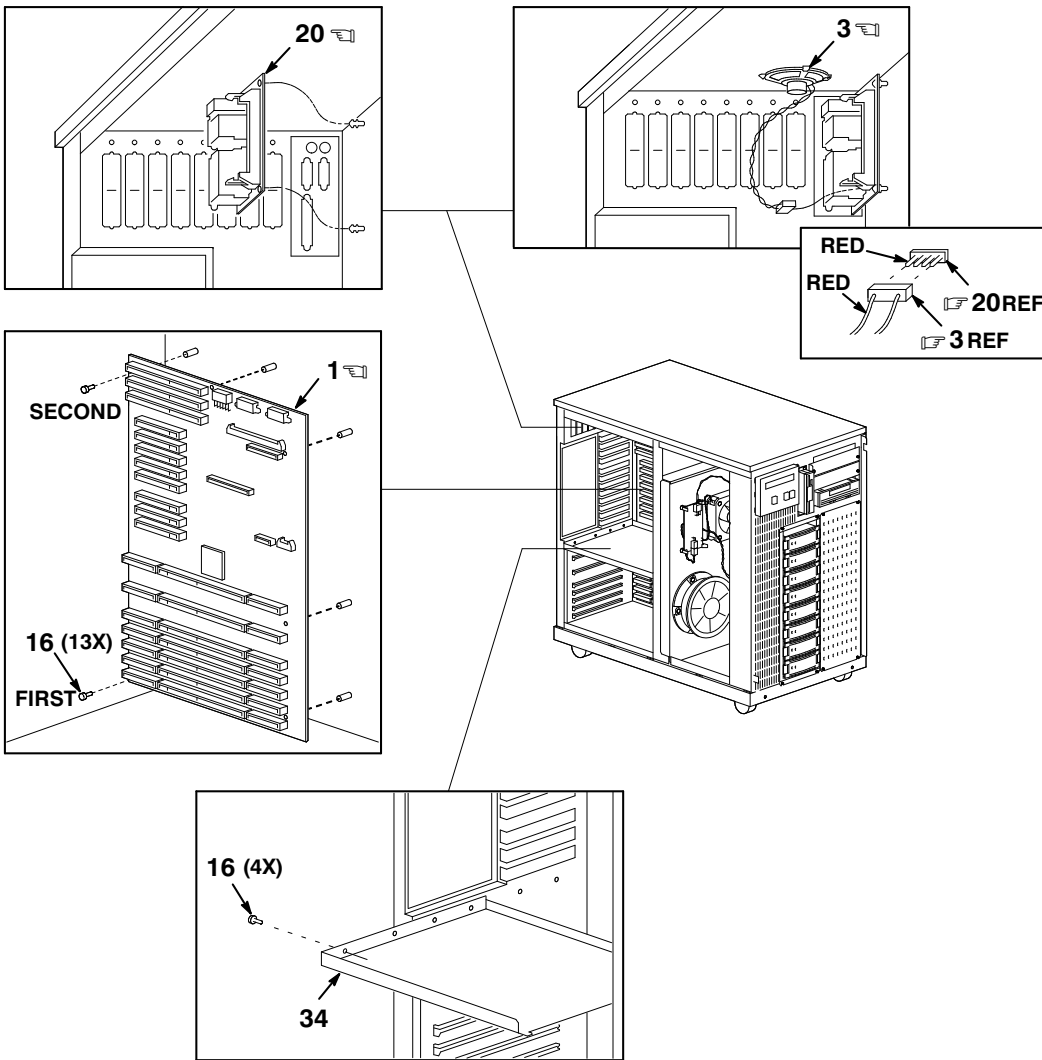


IP-BA740-01

Figure 3. Enclosure Assembly, BA740-B9 (Sheet 1 of 5)

INDICATES FRU LEVEL PARTS.

PARTS LIST

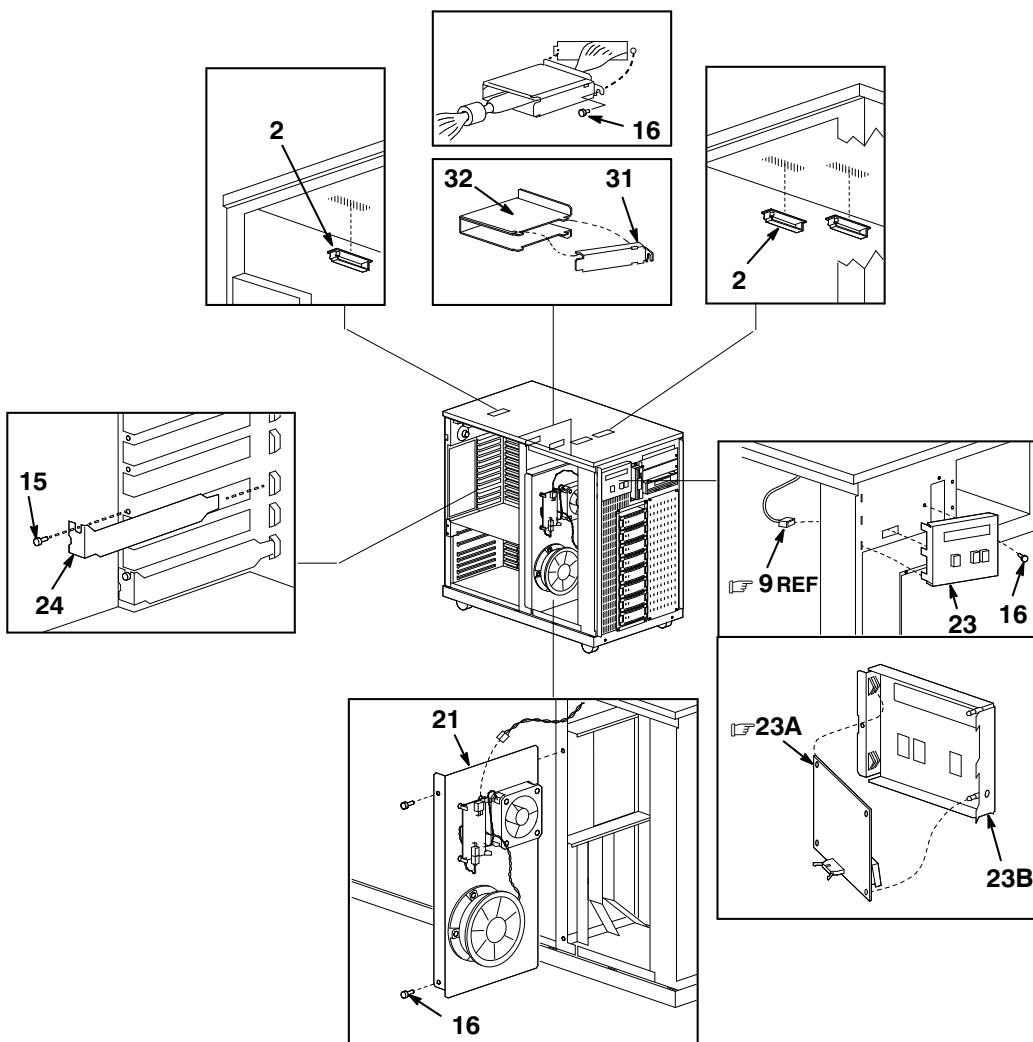


IP-BA740-03

Figure 3. Enclosure Assembly, BA740-B9 (Sheet 2 of 5)

INDICATES FRU LEVEL PARTS.

PARTS LIST

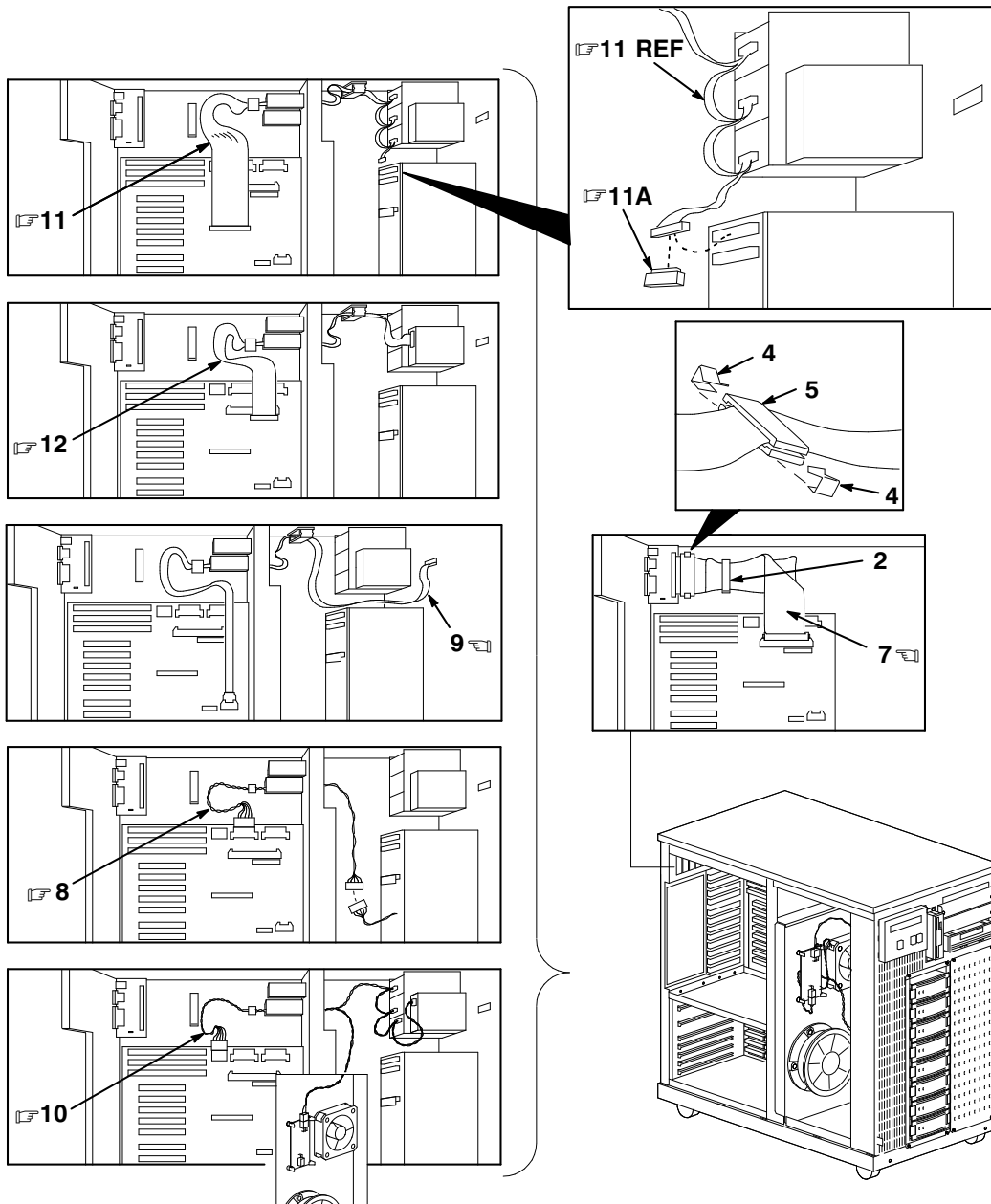


IP-BA740-04

Figure 3. Enclosure Assembly, BA740-B9 (Sheet 3 of 5)

INDICATES FRU LEVEL PARTS.

PARTS LIST

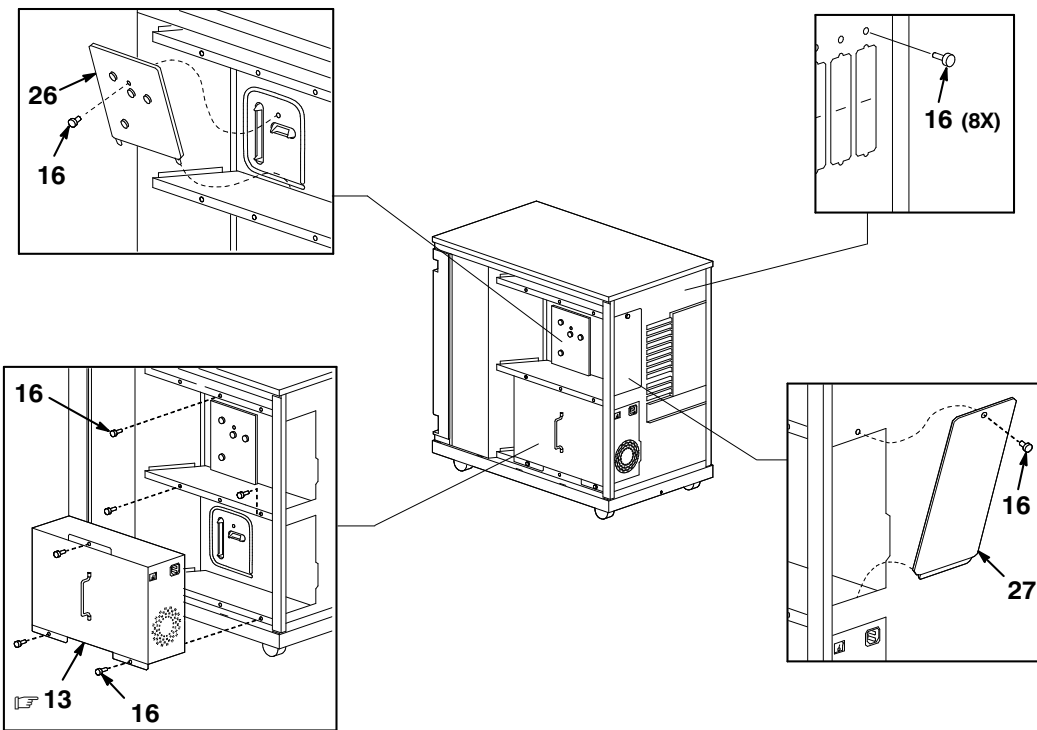


IP-BA740-06

Figure 3. Enclosure Assembly, BA740-B9 (Sheet 4 of 5)

 INDICATES FRU LEVEL PARTS.

PARTS LIST 



IP-BA740-07

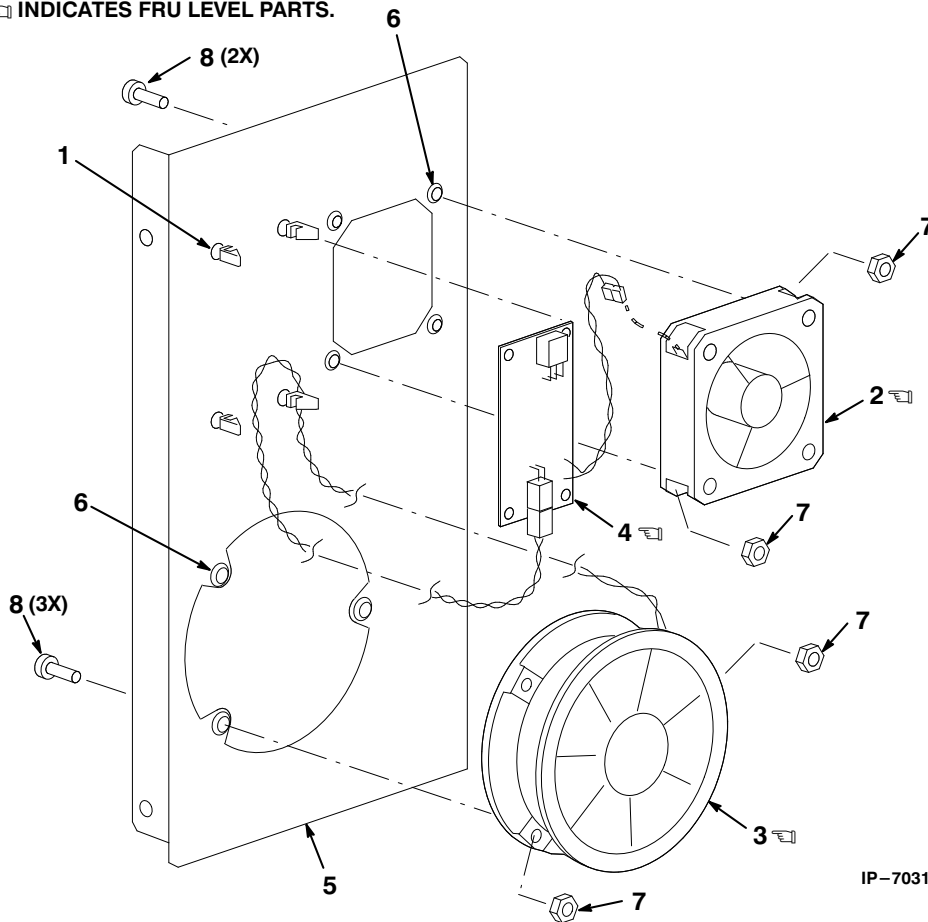
Figure 3. Enclosure Assembly, BA740-B9 (Sheet 5 of 5)

FIG. & ITEM NO.	DESCRIPTION	D DIGITAL PART NO.	ECO CUT-IN BA740 00003	USED ON CODE	REF FIG NO.
3- A	ENCLOSURE ASSEMBLY, 2100A, 8 PCI	BA740-B9			1
1	*Module, Backplane, 3 EISA/8 PCI,	54-24129-01			
2	*Clip, Flat Cable (Adhesive Backed)	12-15843-02			
3	*Speaker w/4 Pos. Connector, Wire Assembly	12-39309-01			
4	*Choke Assembly, Common Mode, Spring Clip	16-25105-13			
5	*Choke Assembly, Common Mode, Bus Bar	16-25105-20			
	POWER CORDS (Not Shown)				
6	Power Cord (U.S., Japan, Canada) (BN27Y-1J)	17-00083-15			
	Power Cord (Australia, New Zealand) (BN19H-2E)	17-00198-14			
	Power Cord (Austria, Belgium, France, Germany, Finland, Holland, Norway, Sweden, Portugal, Spain) (BN19C-2E)	17-00199-21			
	Power Cord (U.K., Ireland) (BN19A-2E)	17-00210-15			
	Power Cord (Switzerland) (BN19E-2E)	17-00210-13			
	Power Cord (Denmark) (BN19K-2E)	17-00310-08			
	Power Cord (Italy) (BN19M-2E)	17-00364-18			
	Power Cord (India, South Africa) (BN19S-2E)	17-00456-16			
	Power Cord (Israel) (BN18L-2E)	17-00457-16			
7	*Cable, Flat, 60 Cond., to Remote I/O	17-02784-03			
8	*Cable, 4 Cond., Power to StorageWorks	17-03868-01			
9	*Cable, 10 Cond., to OCP	17-03869-01			
10	*Cable, 12 Cond., Power to Fan & Removables	17-03870-01			
11	*CABLE, 50 COND., SCSI	17-04193-01			
11A	**Terminator, SCSI, Feed-Thru	12-41296-01			
12	*Cable, 34 Cond., Multi-IDC	17-04229-01			
13	*Power Supply, 600W	30-41274-01			
14	*Blank, 5 1/4 Inch Removable, Half Height	74-49002-01			
15	*Screw, Thrl 6-32, Pan 1/4"	90-00062-10			
16	*Screw, Thrl M4, Pan 10 mm	90-40005-06			
17	*Screw, Mach M3, Flat 6 mm	90-40122-03			
18	*Door, Left	74-48280-02			
19	*Panel, Right	74-48279-01			
20	*Module, Remote I/O Panel	54-23151-01			
21	*FAN TRAY ASSEMBLY	70-31278-01			4
22	*ENCLOSURE ASSEMBLY, CHASSIS	70-31280-02			5
23	*OCP ASSEMBLY	70-31281-01			
23A	**Module, Operator Control Panel	54-23180-01			
23B	**Bracket, OCP	74-47797-01			
24	*Blank, EISA/PCI Window	74-42440-01			
25	*Bezel, Blank, StorageWorks	74-45644-01			
26	*Blank, Power Supply - Card Cage	74-47874-01			
27	*Blank, Power Supply - Rear	74-47875-01			

FIG. & ITEM NO.	DESCRIPTION	DIGITAL PART NO. ^D	ECO CUT-IN BA740 00003	USED ON CODE	REF FIG NO.
3- A	ENCLOSURE ASSEMBLY, BA740-B9 (continued)				1
28	*Blank, 8 Slot Storage Cage	74-47877-01			
29	*Tray, Storage (3 1/2 Inch)	74-47878-01			
30	*Blank, 3 1/2 Inch Storage	74-47880-01			
31	*Waveguide, Side	74-50098-01			
32	*Waveguide, Channel	74-50097-01			
33	*Tray, Storage (For Removables)	74-48179-01			

FIG. & ITEM NO.	DESCRIPTION	DIGITAL PART NO. ^B	ECO CUT-IN 70-31278 00000	USED ON CODE	REF FIG NO.
4- A	FAN TRAY ASSEMBLY	70-31278-01			2
1	*Standoff, Nylon	12-19857-05			
2	*Fan, Tube Axial, 4 1/2 Inch	12-23609-09			
3	*Fan, 6 3/4 Inch, 12VDC	12-36202-02			
4	*Module, Fan Control	54-23260-01			
5	*Fan Tray	74-47873-01			
6	*Grommet, Round Rubber	90-07014-00			
7	*Nut, Kep, M3, 5.5 mm	90-40203-01			
8	*Screw, Mach, M3, Pan, 16 mm	90-40006-10			

INDICATES FRU LEVEL PARTS.

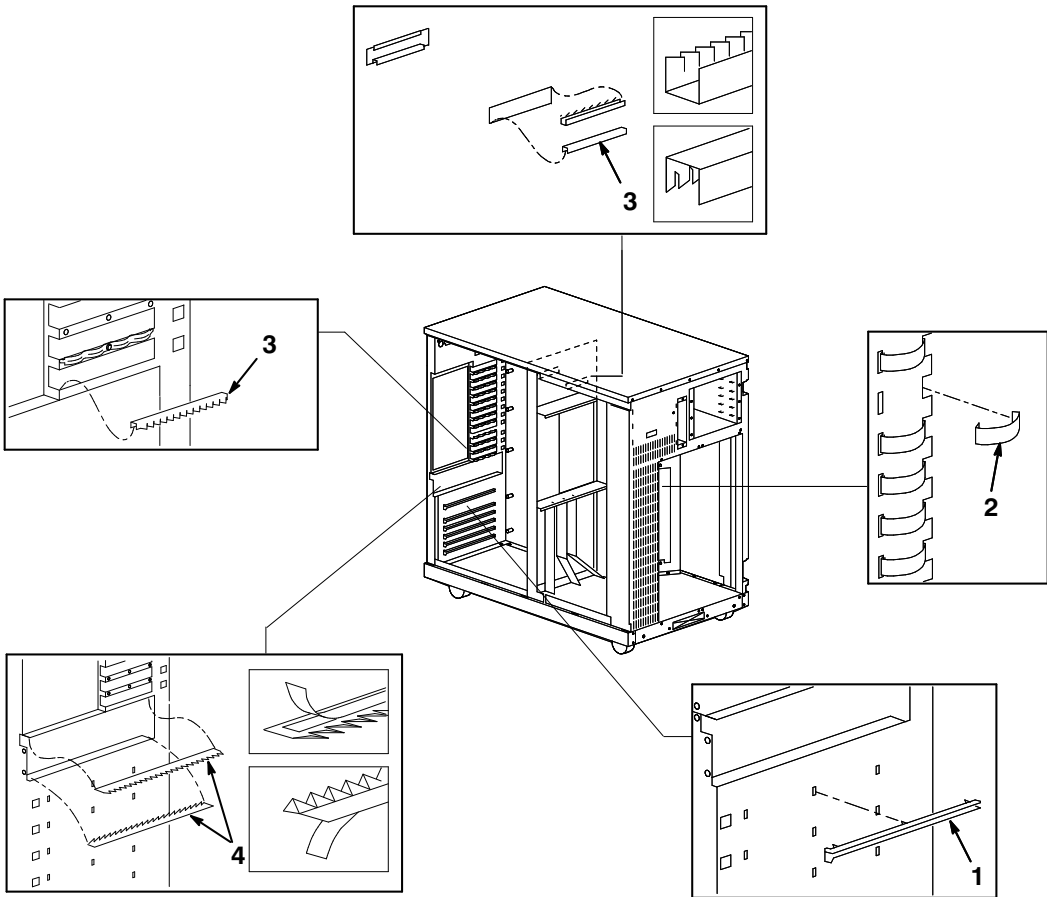


IP-7031278-01

Figure 4. Fan Tray Assembly

FIG. & ITEM NO.	DESCRIPTION	DIGITAL PART NO. ^C	ECO CUT-IN 70-31280 00000	USED ON CODE	REF FIG NO.
5- A	ENCLOSURE ASSEMBLY, CHASSIS	70-31280-01		A	2
B	ENCLOSURE ASSEMBLY, CHASSIS	70-31280-02		B	3
1	*Guide, Nylon Card	12-12405-00			
2	*Finger, Non-Snag Grounding	12-26922-01			
3	*Shield, EMI/RFI, BCU, Finger Contact	12-42799-01			
4	*Shield, EMI/RFI, BCU, Finger Contact	12-42798-01		A	

☞ ☞ INDICATES FRU LEVEL PARTS.

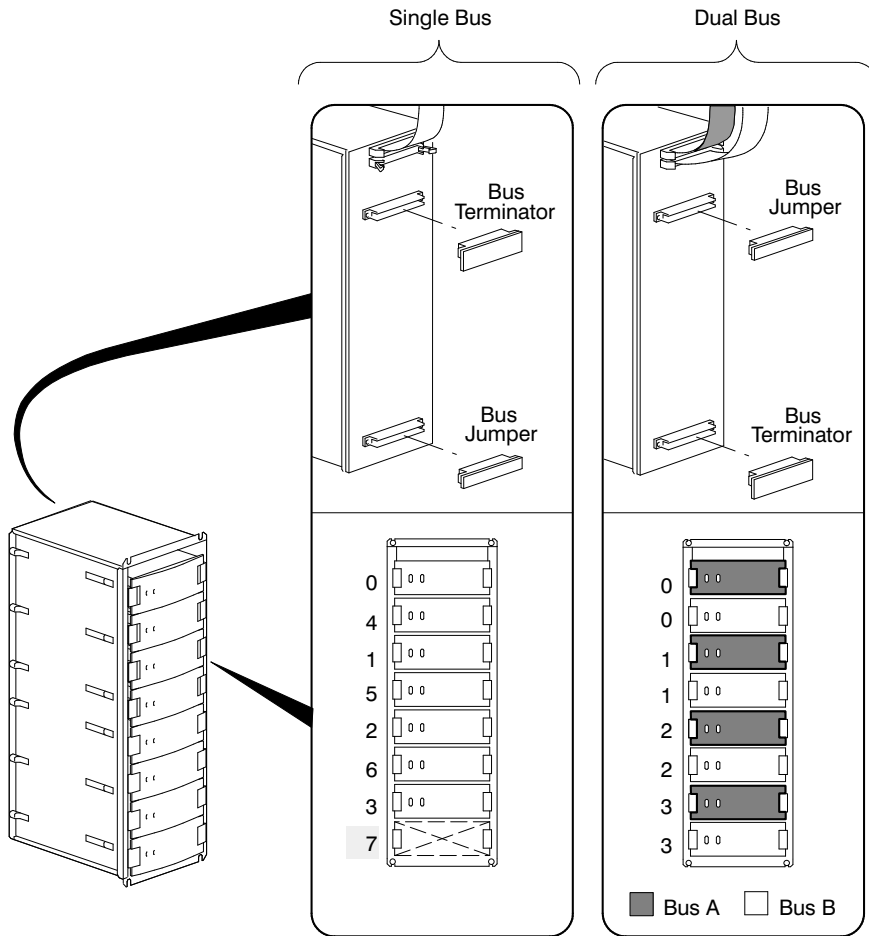


IP-SY450-04

Figure 5. Enclosure Assembly, Chassis

PARTS LIST 

 INDICATES FRU LEVEL PARTS.

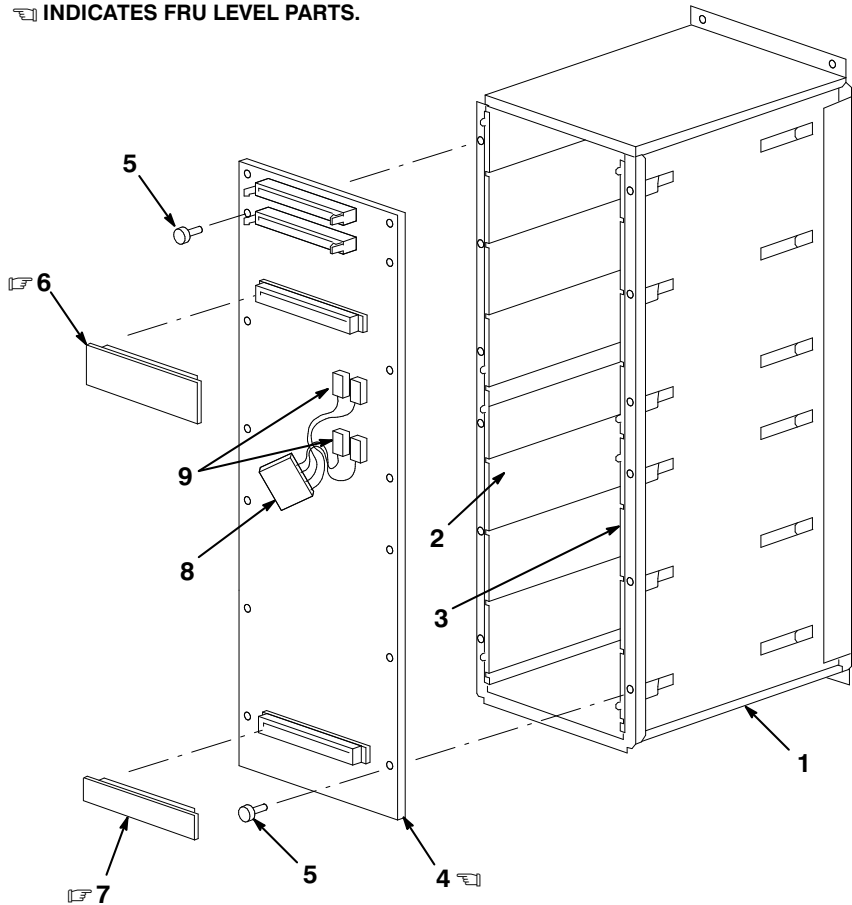


IP-SY450-05

Figure 6. StorageWorks, 8 Bit SCSI (Sheet 1 of 2)

FIG. & ITEM NO.	DESCRIPTION	DIGITAL PART NO. ^A	ECO CUT-IN 70-30117 00000	USED ON CODE	REF FIG NO.
6- A	StorageWorks, 8 BIT SCSI	70-30117-01			1
1	*Weldment, Chassis, 4 Piece for 8 Bit SCSI	70-30116-01			
2	*Rail, SBB (Right)	74-47028-01			
3	*Rail, SBB (Left)	74-47028-02			
4	*Module, Storage Backplane	54-22903-01			
5	*Screw, Truss Hd No. 6-20 x 3/4	90-11370-01			
6	*Terminator, 8 Bit SCSI Bus, Module	54-22000-01			
7	*Jumper, 8 Bit SCSI Bus, Module	54-21998-01			
8	*Harness Assembly	17-03919-01			
9	*Screw, Sems Pan Hd No. 6-32 x 1/4	90-10174-00			

  INDICATES FRU LEVEL PARTS.

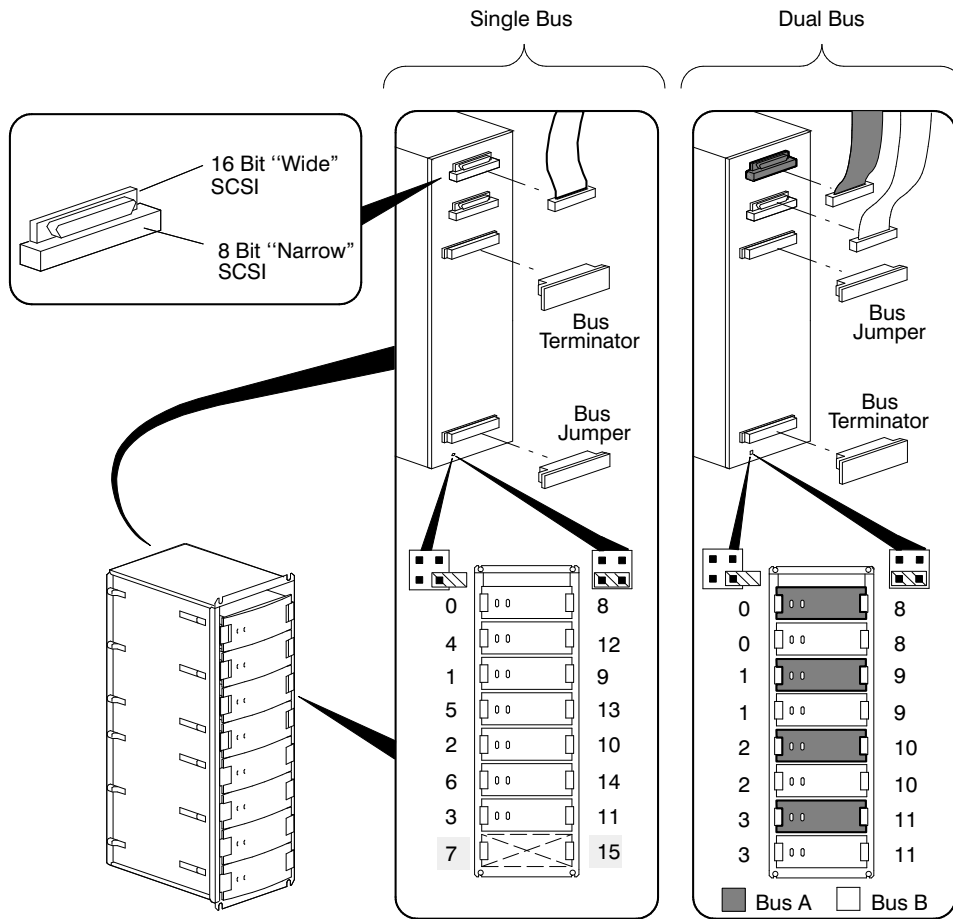


IP-SY450-05A

Figure 6. StorageWorks, 8 Bit SCSI (Sheet 2 of 2)

PARTS LIST 

  INDICATES FRU LEVEL PARTS.

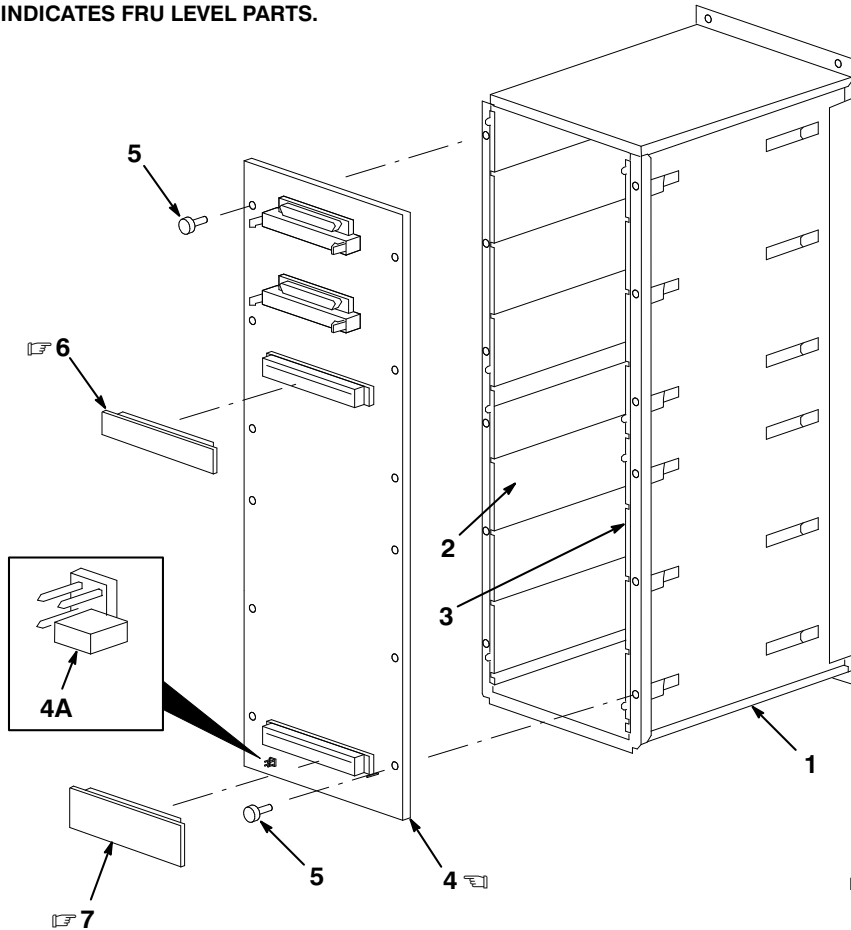


IP-SY450-06

Figure 7. StorageWorks, 16 Bit/8 Bit SCSI (Sheet 1 of 2)

FIG. & ITEM NO.	DESCRIPTION	DIGITAL PART NO. ^A	ECO CUT-IN 70-31481 00000	USED ON CODE	REF FIG NO.
7- A	StorageWorks, 16 BIT/8 BIT SCSI (BA35E-SA)	70-31481-01			1
1	*Weldment, Chassis, 2 Piece for 16 Bit SCSI	74-48653-01			
2	*Rail, SBB (Right)	74-47028-01			
3	*Rail, SBB (Left)	74-47028-02			
4	*MODULE, SBL SPLIT	54-23343-01			
4A	**Jumper, 2 Position ID	12-18783-00			
5	*Screw, Truss Hd No. 6-20 x 3/4	90-11370-01			
6	*Terminator, 16 Bit SCSI Bus, Module	54-23376-01			
7	*Jumper, 16 Bit SCSI Bus, Module	54-23378-01			

INDICATES FRU LEVEL PARTS.

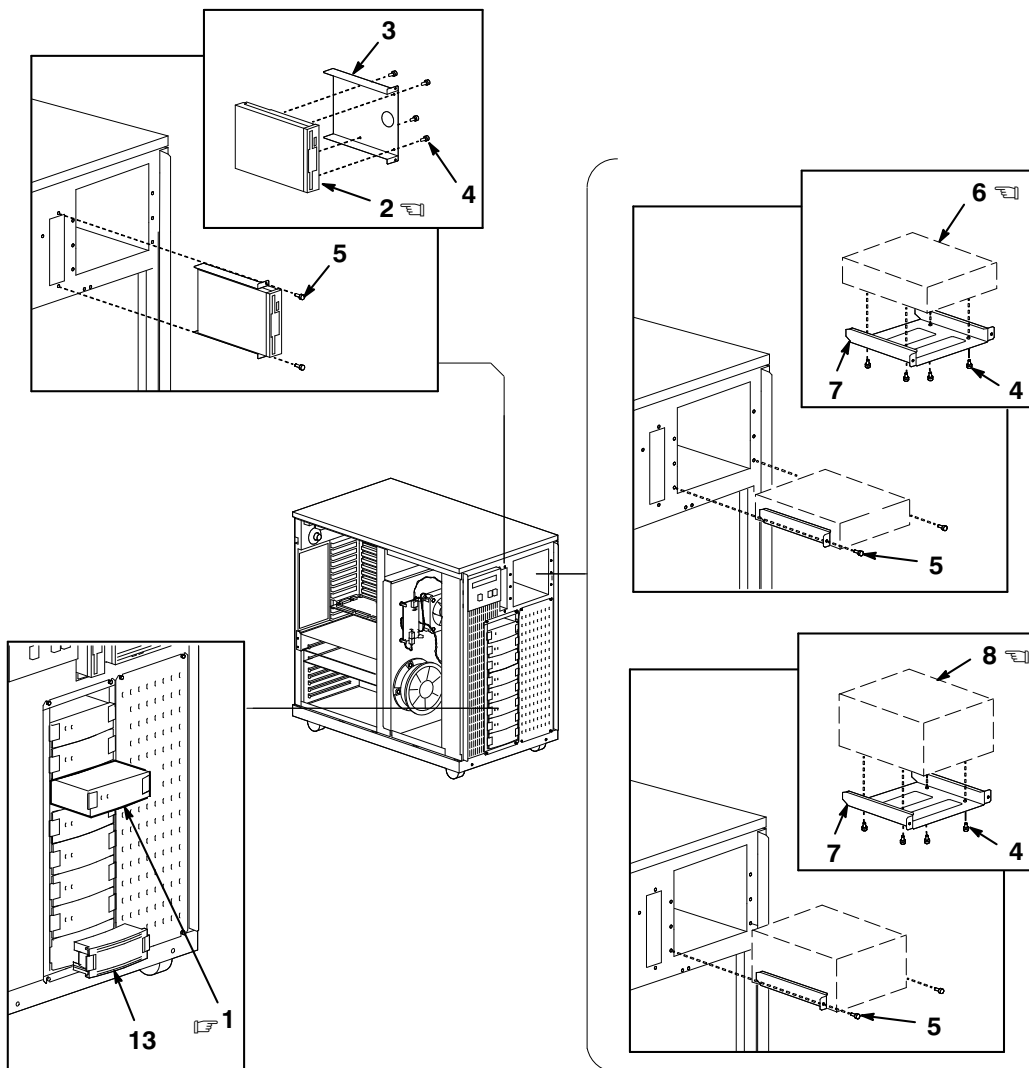


IP-SY450-06A

Figure 7. StorageWorks, 16 Bit/8 Bit SCSI (Sheet 2 of 2)

  INDICATES FRU LEVEL PARTS.

PARTS LIST 

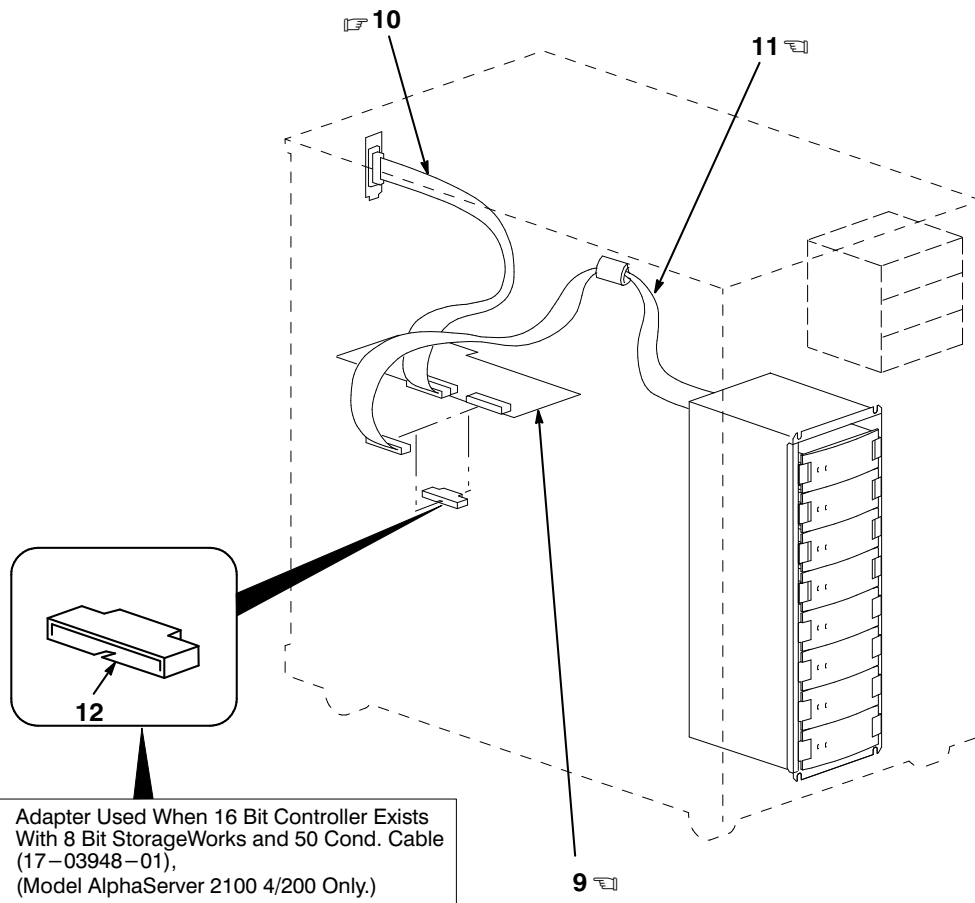


IP-SY450-07

Figure 8. Internal Storage (Sheet 1 of 2)

PARTS LIST 

  INDICATES FRU LEVEL PARTS.



IP-SY450-07A

Figure 8. Internal Storage (Sheet 2 of 2)

FIG. & ITEM NO.	DESCRIPTION	DIGITAL PART NO.	ECO CUT-IN	USED ON CODE	REF FIG NO.
8-	INTERNAL STORAGE	N/A			1
	StorageWorks DRIVE ASSEMBLIES				
☞ 1	Disk Drive, 1 GB, 8 Bit	RZ26*-VA	} * See Latest Version Of Options Catalog For Supported Drives.		
☞	Disk Drive, 1 GB, 16 Bit	RZ26*-VW			
☞	Disk Drive, 2.1 GB, 8 Bit	RZ28*-VA			
☞	Disk Drive, 2.1 GB, 16 Bit	RZ28*-VW			
☞	Disk Drive, 4 GB, 8 Bit	RZ29*-VA			
☞	Disk Drive, 4 GB, 16 Bit	RZ29*-VW			
	FLOPPY ASSEMBLIES				
☞ 2	Floppy Drive (3 1/2 Inch), 2.88 MB	RX26-AA			
☞	Floppy Drive, (3 1/2 Inch), 1.44 MB	RX23L-AA			
3	Tray, Storage (3 1/2 Inch)	74-47878-01			
4	Screw, Mach M3, Flat 6 mm	90-40122-03			
5	Screw, Thrl M4, Pan 10 mm	90-40005-06			
	HALF HEIGHT DEVICES				
☞ 6	CD-ROM (2X)	RRD43-CA			
☞	CD-ROM (2.2X)	RRD44-CA			
☞	CD-ROM (4X)	RRD45-AA			
☞	Tape Drive, DAT, 4 GB	TLZ06-LG			
☞	Tape Drive, DAT, 8 GB	TLZ07-LG			
☞	Tape Drive, QIC, 2 GB	TZK11-LG			
7	Tray, Storage (For Removables)	74-48179-01			
	FULL HEIGHT DEVICES				
☞ 8	Tape Drive, SCSI, Single-Ended, 20 GB	TZ87-BA			
☞	Tape Loader, DAT, 16 GB, 4 mm	TLZ6L-LG			
☞	Tape Loader, DAT, 32 GB, 4 mm	TLZ7L-LG			
	CONTROLLERS				
☞ 9	Controller, Raid, Single Ended, Narrow, 1 Port, EISA bus	KZESC-AA			
☞ 10	Cable, Internal, 50 Cond., (CK-SWXCR-AA)	17-03998-01			
☞ 11	Cable, Internal, 50 Cond., (BC25R-3B)	17-03948-01			
☞ 9	Controller, Raid, Single Ended, Narrow, 3 Ports, EISA bus	KZESC-BA			
☞ 10	Cable, Internal, 50 Cond., (CK-SWXCR-AA)	17-03998-01			
☞ 11	Cable, Internal, 50 Cond., (BC25R-3B)	17-03948-01			
☞ 9	Controller, SCSI, Single Ended, Narrow, 1 Port, EISA bus	PB2HA-SA			
☞ 11	Cable, Internal, 50 Cond., (BC25R-3B)	17-03948-01			

FIG. & ITEM NO.	DESCRIPTION	DIGITAL PART NO.	ECO CUT-IN	USED ON CODE	REF FIG NO.
8-	INTERNAL STORAGE (continued)	N/A			1
9	Controller, SCSI, Single Ended, Narrow, 1 Port, PCI bus	KZPAA-AA			
11	Cable, Internal, 50 Cond., (BC25R-3B)	17-03948-01			
9	Controller, SCSI, Differential, Wide, 1 Port, PCI bus	KZPSA-BB			
9	Controller, Raid, Single Ended, Wide, 1 Port, PCI bus	KZPSC-AA			
11	Cable, Internal, 68 Cond., (BC25T-3L)	17-04180-01			
9	Controller, Raid, Single Ended, Wide, 3 Ports, PCI bus	KZPSC-BA			
10	Cable, Internal, 68 Cond., (BN31K-0E)	17-04108-01			
11	Cable, Internal, 68 Cond., (BC25T-3L)	17-04180-01			
9	Controller, SCSI, Single Ended, Wide, 1 Port, PCI bus, w/E-Net	KZPSM-AA			
10	Cable, Internal, 68 Cond., (BC25V-1H)	17-04179-01			
11	Cable, Internal, 68 Cond., (BC25T-3L)	17-04180-01			
9	Controller, SCSI, Single Ended, Wide, 1 Port, PCI bus	KZPBA-CA			
10	Cable, Internal, 68 Cond., (BC25V-1H)	17-04179-01			
11	Cable, Internal, 50 Cond., (BC25R-3B)	17-03948-01			
11	Cable, Internal, 68 Cond., (BC25T-3L)	17-04180-01			
9	Controller, SCSI, Differential, Wide, 1 Port, PCI bus	KZPBA-CB			
9	Controller, DSSI, EISA bus	KFESA-AA			
10	*Cable, Internal, 50 Cond.	17-03940-01			
9	Controller, DSSI, EISA bus	KFESB-AA			
10	*Cable, Internal, 50 Cond.	17-03940-01			
12	Adapter, 8 Bit Cable to 16 Bit Controller (H4086-AA)	12-44748-01			
13	Bezel, Blank, StorageWorks	74-45644-01			

PART NUMBER/DESCRIPTION INDEX 

INDEX BY DIGITAL PART NUMBER
AlphaServer 2100/2100A Series

PART NUMBER	DESCRIPTION	FIG.-ITEM NUMBER
12-12405-00	Guide, Nylon Card	5-1
12-15843-02	Clip, Flat Cable (Adhesive Backed)	2-2, 3-2
12-18783-00	Jumper, 2 Position ID	7-4A
12-19857-05	Standoff, Nylon	4-1
12-23609-09	Fan, Tube Axial, 4 1/2 Inch	4-2
12-26922-01	Finger, Non-Snag Grounding	5-2
12-36202-02	Fan, 6 3/4 Inch, 12VDC	4-3
12-36437-01	Lock, Keyed	1-4A
12-36437-03	Key, w/Black Plastic Cover	1-3
12-37004-04	Terminator, SCSI-2, 50 Pos.	2-3
12-39309-01	Speaker w/4 Pos. Connector, Wire Assembly	2-4, 3-3
12-41296-01	Terminator, SCSI, Feed-Thru	2-5, 3-11A
12-41427-01	Screw, Mach Pan Hd No. 4-40 x 1/4	2-6
12-41662-01	Latch, Mini Push	1-4B
12-42798-01	Shield, EMI/RFI, BCU, Finger Contact	5-4
12-42799-01	Shield, EMI/RFI, BCU, Finger Contact	5-3
12-44748-01	Adapter, 8 Bit Cable to 16 Bit Controller (H4086-AA)	8-12
16-25105-13	Choke Assembly, Common Mode, Spring Clip	2-7, 3-4
16-25105-20	Choke Assembly, Common Mode, Bus Bar	2-8, 3-5
17-00083-15	Power Cord (U.S., Japan, Canada) (BN27Y-1J)	2-9, 3-6
17-00198-14	Power Cord (Australia, New Zealand) (BN19H-2E)	2-9, 3-6
17-00199-21	Power Cord (Austria, Belgium, France, Germany, Finland, Holland, Norway, Sweden, Portugal, Spain) (BN19C-2E)	2-9, 3-6
17-00210-13	Power Cord (Switzerland) (BN19E-2E)	2-9, 3-6
17-00210-15	Power Cord (U.K., Ireland) (BN19A-2E)	2-9, 3-6
17-00310-08	Power Cord (Denmark) (BN19K-2E)	2-9, 3-6
17-00364-18	Power Cord (Italy) (BN19M-2E)	2-9, 3-6
17-00456-16	Power Cord (India, South Africa) (BN19S-2E)	2-9, 3-6
17-00457-16	Power Cord (Israel) (BN18L-2E)	2-9, 3-6
17-02784-03	Cable, Flat, 60 Cond., to Remote I/O	2-10, 3-7
17-03868-01	Cable, 4 Cond., Power to StorageWorks	2-11, 3-8
17-03869-01	Cable, 10 Cond., to OCP	2-12, 3-9
17-03870-01	Cable, 12 Cond., Power to Fan & Removables	2-13, 3-10
17-03871-01	Cable, 34 Cond., Floppy bus	2-14
17-03872-01	Cable, 50 Cond., SCSI	2-15
17-03873-01	Cable, 50 Cond., SCSI Removables	2-16
17-03919-01	Harness Assembly	6-8
17-03940-01	Cable, Internal, 50 Cond.	8-10
17-03948-01	Cable, Internal, 50 Cond., (BC25R-3B)	8-11
17-03998-01	Cable, Internal, 50 Cond., (CK-SWXCR-AA)	8-10
17-04108-01	Cable, Internal, 68 Cond., (BN31K-0E)	8-10
17-04179-01	Cable, Internal, 68 Cond., (BC25V-1H)	8-10
17-04180-01	Cable, Internal, 68 Cond., (BC25T-3L)	8-11
17-04193-01	CABLE, 50 COND., SCSI	3-11
17-04229-01	Cable, 34 Cond., Multi-IDC	3-12
30-41274-01	Power Supply, 600W	2-17, 3-13
450AP-A9	AlphaServer 2100 MODEL 4/200 (Digital UNIX)	1-A
450NP-A9	AlphaServer 2100 MODEL 4/200 (NT)	1-A
450XP-A9	AlphaServer 2100 MODEL 4/200	1-A
450YP-A9	AlphaServer 2100 MODEL 4/200 (VMS)	1-A

INDEX BY DIGITAL PART NUMBER
AlphaServer 2100/2100A Series

PART NUMBER	DESCRIPTION	FIG.-ITEM NUMBER
455AP-A9	AlphaServer 2100 MODEL 4/233 (Digital UNIX)	1-B
455NP-A9	AlphaServer 2100 MODEL 4/233 (NT)	1-B
455XP-A9	AlphaServer 2100 MODEL 4/233	1-B
455YP-A9	AlphaServer 2100 MODEL 4/233 (VMS)	1-B
460AP-A9	AlphaServer 2100 MODEL 4/275 (Digital UNIX)	1-C
460AS-A9	AlphaServer 2100A MODEL 4/275 (Digital UNIX)	1-F
460NP-A9	AlphaServer 2100 MODEL 4/275 (NT)	1-C
460NS-A9	AlphaServer 2100A MODEL 4/275 (NT)	1-F
460XP-A9	AlphaServer 2100 MODEL 4/275	1-C
460XS-A9	AlphaServer 2100A MODEL 4/275	1-F
460YP-A9	AlphaServer 2100 MODEL 4/275 (VMS)	1-C
460YS-A9	AlphaServer 2100A MODEL 4/275 (VMS)	1-F
470AP-A9	AlphaServer 2100 MODEL 5/250 (Digital UNIX)	1-D
470AS-A9	AlphaServer 2100A MODEL 5/250 (Digital UNIX)	1-G
470NP-A9	AlphaServer 2100 MODEL 5/250 (NT)	1-D
470NS-A9	AlphaServer 2100A MODEL 5/250 (NT)	1-G
470XP-A9	AlphaServer 2100 MODEL 5/250	1-D
470XS-A9	AlphaServer 2100A MODEL 5/250	1-G
470YP-A9	AlphaServer 2100 MODEL 5/250 (VMS)	1-D
470YS-A9	AlphaServer 2100A MODEL 5/250 (VMS)	1-G
480AP-A9	AlphaServer 2100 MODEL 5/300 (Digital UNIX)	1-E
480AS-A9	AlphaServer 2100A MODEL 5/300 (Digital UNIX)	1-H
480NP-A9	AlphaServer 2100 MODEL 5/300 (NT)	1-E
480NS-A9	AlphaServer 2100A MODEL 5/300 (NT)	1-H
480XP-A9	AlphaServer 2100 MODEL 5/300	1-E
480XS-A9	AlphaServer 2100A MODEL 5/300	1-H
480YP-A9	AlphaServer 2100 MODEL 5/300 (VMS)	1-E
480YS-A9	AlphaServer 2100A MODEL 5/300 (VMS)	1-H
54-21998-01	Jumper, 8 Bit SCSI Bus, Module	6-7
54-22000-01	Terminator, 8 Bit SCSI Bus, Module	6-6
54-22903-01	Module, Storage Backplane	6-4
54-23149-01	Module, Backplane, 8 EISA/3 PCI	2-23
54-23151-01	Module, Remote I/O Panel	2-24, 3-20
54-23180-01	Module, Operator Control Panel	2-28A, 3-23A
54-23260-01	Module, Fan Control	4-4
54-23343-01	MODULE, SBL SPLIT	7-4
54-23376-01	Terminator, 16 Bit SCSI Bus, Module	7-6
54-23378-01	Jumper, 16 Bit SCSI Bus, Module	7-7
54-24129-01	Module, Backplane, 3 EISA/8 PCI	3-1
70-30116-01	Weldment, Chassis, 4 Piece for 8 Bit SCSI	6-1
70-30117-01	StorageWorks, 8 BIT SCSI	1-5, 6-NA
70-31278-01	FAN TRAY ASSEMBLY	2-26, 3-21, 4-4A
70-31279-03	DOOR ASSEMBLY, FRONT	1-4
70-31280-01	ENCLOSURE ASSEMBLY, CHASSIS	2-27, 5-A
70-31280-02	ENCLOSURE ASSEMBLY, CHASSIS	3-22, 5-B
70-31281-01	OCP ASSEMBLY	2-28, 3-23
70-31481-01	StorageWorks, 16 BIT/8 BIT SCSI (BA35E-SA)	1-5, 7-A

INDEX BY DIGITAL PART NUMBER
AlphaServer 2100/2100A Series

PART NUMBER	DESCRIPTION	FIG.-ITEM NUMBER
74-42440-01	Blank, EISA/PCI Window	2-29, 3-24
74-45644-01	Bezel, Blank, StorageWorks	2-30, 3-25, 8-13
74-47028-01	Rail, SBB (Right)	6-2, 7-2
74-47028-02	Rail, SBB (Left)	6-3, 7-3
74-47789-01	Door, Access (2100, 4/200)	1-6
74-47789-04	Door, Access (2100, 4/233)	1-6
74-47789-05	Door, Access (2100, 4/275)	1-6
74-47789-06	Door, Access (2100, 5/250)	1-6
74-47789-07	Door, Access (2100, 5/300)	1-6
74-47789-09	Door, Access (2100A, 5/250)	1-6
74-47789-10	Door, Access (2100A, 5/300)	1-6
74-47789-11	Door, Access (2100A, 4/275)	1-6
74-47797-01	Bracket, OCP	2-28B, 3-23B
74-47873-01	Fan Tray	4-5
74-47874-01	Blank, Power Supply – Card Cage	2-31, 3-26
74-47875-01	Blank, Power Supply – Rear	2-32, 3-27
74-47876-01	Card Cage Divide, CPU Filler	2-33
74-47877-01	Blank, 8 Slot Storage Cage	2-34, 3-28
74-47878-01	Tray, Storage (3 1/2 Inch)	2-35, 3-29, 8-3
74-47879-01	Blank, Storage Bus	2-36
74-47880-01	Blank, 3 1/2 Inch Storage	2-37, 3-30
74-48179-01	Tray, Storage (For Removables)	2-40, 3-33, 8-7
74-48265-01	Filler, CBUS Module Airflow	1-7
74-48279-01	Panel, Right	3-19
74-48279-02	Panel, Right	2-41
74-48280-02	Door, Left	2-22, 3-18
74-48653-01	Weldment, Chassis, 2 Piece for 16 Bit SCSI	7-1
74-49002-01	Blank, 5 1/4 Inch Removable, Half Height	2-18, 3-14
74-50097-01	Waveguide, Channel	2-39, 3-32
74-50098-01	Waveguide, Side	2-38, 3-31
90-00062-10	Screw, Thrl 6-32, Pan 1/4"	3-15
90-07014-00	Grommet, Round Rubber	4-6
90-09701-00	Screw, Sems Pan Hd No. 6-32 x 5/16	2-19
90-10174-00	Screw, Sems Pan Hd No. 6-32 x 1/4	6-9
90-11370-01	Screw, Truss Hd No. 6-20 x 3/4	6-5, 7-5
90-40005-06	Screw, Thrl M4, Pan 10 mm	2-20, 3-16, 8-5
90-40006-10	Screw, Mach, M3, Pan, 16 mm	4-8
90-40122-03	Screw, Mach M3, Flat 6 mm	2-21, 3-17, 8-4
90-40203-01	Nut, Kep, M3, 5.5 mm	2-25, 4-7
B2020-AA	Module, AXP 2000 CPU, EV4-S Chip	1-1
B2020-BA	Module, AXP 2000 CPU, 233 MHz, 1 MB Chip	1-1
B2024-AA	Module, AXP 2000 CPU, EV4.5 Chip	1-1
B2040-AB	Module, AXP 2000 CPU, EV5 Chip	1-1
B2040-BA	Module, AXP 2000 CPU, EV5, 300 MHz Chip	1-1
B2110-AA	Module, Standard I/O, PCI-EISA	2-1
BA740-A9	ENCLOSURE ASSEMBLY, 2100, 3 PCI	1-2, 2-A
BA740-B9	ENCLOSURE ASSEMBLY, 2100A, 8 PCI	1-2, 3-A
EK-2100A-OP	Documentation, "Owner's Guide" (Not Shown)	1-9
EK-2100A-SV	Documentation, "Service Guide" (Not Shown)	1-9
EK-KN450-OP	Documentation, "Owner's Guide" (Not Shown)	1-9
EK-KN450-SV	Documentation, "Service Guide" (Not Shown)	1-9

INDEX BY DIGITAL PART NUMBER
AlphaServer 2100/2100A Series

PART NUMBER	DESCRIPTION	FIG.-ITEM NUMBER
KFESA-AA	Controller, DSSI, EISA bus	8-9
KFESB-AA	Controller, DSSI, EISA bus	8-9
KZESC-AA	Controller, Raid, Single Ended, Narrow, 1 Port, EISA bus	8-9
KZESC-BA	Controller, Raid, Single Ended, Narrow, 3 Ports, EISA bus	8-9
KZPAA-AA	Controller, SCSI, Single Ended, Narrow, 1 Port, PCI bus	8-9
KZPBA-CA	Controller, SCSI, Single Ended, Wide, 1 Port, PCI bus	8-9
KZPBA-CB	Controller, SCSI, Differential, Wide, 1 Port, PCI bus	8-9
KZPSA-BB	Controller, SCSI, Differential, Wide, 1 Port, PCI bus	8-9
KZPSC-AA	Controller, Raid, Single Ended, Wide, 1 Port, PCI bus	8-9
KZPSC-BA	Controller, Raid, Single Ended, Wide, 3 Ports, PCI bus	8-9
KZPSM-AA	Controller, SCSI, Single Ended, Wide, 1 Port, PCI bus, w/E-Net	8-9
PB2HA-SA	Controller, SCSI, Single Ended, Narrow, 1 Port, EISA bus	8-9
QC-01YAA-HC	Kit, EISA System Configuration (Not Shown)	1-8
RRD43-CA	CD-ROM (2X)	8-6
RRD44-CA	CD-ROM (2.2X)	8-6
RRD45-AA	CD-ROM (4X)	8-6
RX23L-AA	Floppy Drive, (3 1/2 Inch), 1.44 MB	8-2
RX26-AA	Floppy Drive (3 1/2 Inch), 2.88 MB	8-2
RZ26*-VA	Disk Drive, 1 GB, 8 Bit	8-1
RZ26*-VW	Disk Drive, 1 GB, 16 Bit	8-1
RZ28*-VA	Disk Drive, 2.1 GB, 8 Bit	8-1
RZ28*-VW	Disk Drive, 2.1 GB, 16 Bit	8-1
RZ29*-VA	Disk Drive, 4 GB, 8 Bit	8-1
RZ29*-VW	Disk Drive, 4 GB, 16 Bit	8-1
TLZ06-LG	Tape Drive, DAT, 4 GB	8-6
TLZ07-LG	Tape Drive, DAT, 8 GB	8-6
TLZ6L-LG	Tape Loader, DAT, 16 GB, 4 mm	8-8
TLZ7L-LG	Tape Loader, DAT, 32 GB, 4 mm	8-8
TZ87-BA	Tape Drive, SCSI, Single-Ended, 20 GB	8-8
TZK11-LG	Tape Drive, QIC, 2 GB	8-6

INDEX BY DIGITAL PART DESCRIPTION
AlphaServer 2100/2100A Series

DESCRIPTION	PART NUMBER	FIG.-ITEM NUMBER
Adapter, 8 Bit Cable to 16 Bit Controller (H4086-AA)	12-44748-01	8-12
AlphaServer 2100 MODEL 4/200	450XP-A9	1-A
AlphaServer 2100 MODEL 4/200 (Digital UNIX)	450AP-A9	1-A
AlphaServer 2100 MODEL 4/200 (NT)	450NP-A9	1-A
AlphaServer 2100 MODEL 4/200 (VMS)	450YP-A9	1-A
AlphaServer 2100 MODEL 4/233	455XP-A9	1-B
AlphaServer 2100 MODEL 4/233 (Digital UNIX)	455AP-A9	1-B
AlphaServer 2100 MODEL 4/233 (NT)	455NP-A9	1-B
AlphaServer 2100 MODEL 4/233 (VMS)	455YP-A9	1-B
AlphaServer 2100 MODEL 4/275	460XP-A9	1-C
AlphaServer 2100 MODEL 4/275 (Digital UNIX)	460AP-A9	1-C
AlphaServer 2100 MODEL 4/275 (NT)	460NP-A9	1-C
AlphaServer 2100 MODEL 4/275 (VMS)	460YP-A9	1-C
AlphaServer 2100 MODEL 5/250	470XP-A9	1-D
AlphaServer 2100 MODEL 5/250 (Digital UNIX)	470AP-A9	1-D
AlphaServer 2100 MODEL 5/250 (NT)	470NP-A9	1-D
AlphaServer 2100 MODEL 5/250 (VMS)	470YP-A9	1-D
AlphaServer 2100 MODEL 5/300	480XP-A9	1-E
AlphaServer 2100 MODEL 5/300 (Digital UNIX)	480AP-A9	1-E
AlphaServer 2100 MODEL 5/300 (NT)	480NP-A9	1-E
AlphaServer 2100 MODEL 5/300 (VMS)	480YP-A9	1-E
AlphaServer 2100A MODEL 4/275	460XS-A9	1-F
AlphaServer 2100A MODEL 4/275 (Digital UNIX)	460AS-A9	1-F
AlphaServer 2100A MODEL 4/275 (NT)	460NS-A9	1-F
AlphaServer 2100A MODEL 4/275 (VMS)	460YS-A9	1-F
AlphaServer 2100A MODEL 5/250	470XS-A9	1-G
AlphaServer 2100A MODEL 5/250 (Digital UNIX)	470AS-A9	1-G
AlphaServer 2100A MODEL 5/250 (NT)	470NS-A9	1-G
AlphaServer 2100A MODEL 5/250 (VMS)	470YS-A9	1-G
AlphaServer 2100A MODEL 5/300	480XS-A9	1-H
AlphaServer 2100A MODEL 5/300 (Digital UNIX)	480AS-A9	1-H
AlphaServer 2100A MODEL 5/300 (NT)	480NS-A9	1-H
AlphaServer 2100A MODEL 5/300 (VMS)	480YS-A9	1-H
Bezel, Blank, StorageWorks	74-45644-01	2-30, 3-25, 8-13
Blank, 3 1/2 Inch Storage	74-47880-01	2-37, 3-30
Blank, 5 1/4 Inch Removable, Half Height	74-49002-01	2-18, 3-14
Blank, 8 Slot Storage Cage	74-47877-01	2-34, 3-28
Blank, EISA/PCI Window	74-42440-01	2-29, 3-24
Blank, Power Supply - Card Cage	74-47874-01	2-31, 3-26
Blank, Power Supply - Rear	74-47875-01	2-32, 3-27
Blank, Storage Bus	74-47879-01	2-36
Bracket, OCP	74-47797-01	2-28B, 3-23B
CABLE, 50 COND., SCSI	17-04193-01	3-11
Cable, 50 Cond., SCSI	17-03872-01	2-15
Cable, 10 Cond., to OCP	17-03869-01	2-12, 3-9
Cable, 12 Cond., Power to Fan & Removables	17-03870-01	2-13, 3-10
Cable, 34 Cond., Floppy bus	17-03871-01	2-14
Cable, 34 Cond., Multi-IDC	17-04229-01	3-12

INDEX BY DIGITAL PART DESCRIPTION

AlphaServer 2100/2100A Series

DESCRIPTION	PART NUMBER	FIG. - ITEM NUMBER
Cable, 4 Cond., Power to StorageWorks	17-03868-01	2-11, 3-8
Cable, 50 Cond., SCSI Removables	17-03873-01	2-16
Cable, Flat, 60 Cond., to Remote I/O	17-02784-03	2-10, 3-7
Cable, Internal, 50 Cond.	17-03940-01	8-10
Cable, Internal, 50 Cond., (BC25R-3B)	17-03948-01	8-11
Cable, Internal, 50 Cond., (CK-SWXCR-AA)	17-03998-01	8-10
Cable, Internal, 68 Cond., (BC25T-3L)	17-04180-01	8-11
Cable, Internal, 68 Cond., (BC25V-1H)	17-04179-01	8-10
Cable, Internal, 68 Cond., (BN31K-0E)	17-04108-01	8-10
Card Cage Divide, CPU Filler	74-47876-01	2-33
CD-ROM (2.2X)	RRD44-CA	8-6
CD-ROM (2X)	RRD43-CA	8-6
CD-ROM (4X)	RRD45-AA	8-6
Choke Assembly, Common Mode, Bus Bar	16-25105-20	2-8, 3-5
Choke Assembly, Common Mode, Spring Clip	16-25105-13	2-7, 3-4
Clip, Flat Cable (Adhesive Backed)	12-15843-02	2-2, 3-2
Controller, DSSI, EISA bus	KFESA-AA	8-9
Controller, DSSI, EISA bus	KFESB-AA	8-9
Controller, Raid, Single Ended, Narrow, 1 Port, EISA bus	KZESC-AA	8-9
Controller, Raid, Single Ended, Narrow, 3 Ports, EISA bus	KZESC-BA	8-9
Controller, Raid, Single Ended, Wide, 1 Port, PCI bus	KZPSC-AA	8-9
Controller, Raid, Single Ended, Wide, 3 Ports, PCI bus	KZPSC-BA	8-9
Controller, SCSI, Differential, Wide, 1 Port, PCI bus	KZPBA-CB	8-9
Controller, SCSI, Differential, Wide, 1 Port, PCI bus	KZPSA-BB	8-9
Controller, SCSI, Single Ended, Narrow, 1 Port, EISA bus	PB2HA-SA	8-9
Controller, SCSI, Single Ended, Narrow, 1 Port, PCI bus	KZPAA-AA	8-9
Controller, SCSI, Single Ended, Wide, 1 Port, PCI bus	KZPBA-CA	8-9
Controller, SCSI, Single Ended, Wide, 1 Port, PCI bus, w/E-Net	KZPSM-AA	8-9
Disk Drive, 1 GB, 16 Bit	RZ26*-VW	8-1
Disk Drive, 1 GB, 8 Bit	RZ26*-VA	8-1
Disk Drive, 2.1 GB, 16 Bit	RZ28*-VW	8-1
Disk Drive, 2.1 GB, 8 Bit	RZ28*-VA	8-1
Disk Drive, 4 GB, 16 Bit	RZ29*-VW	8-1
Disk Drive, 4 GB, 8 Bit	RZ29*-VA	8-1
Documentation, "Owner's Guide" (Not Shown)	EK-2100A-OP	1-9
Documentation, "Owner's Guide" (Not Shown)	EK-KN450-OP	1-9
Documentation, "Service Guide" (Not Shown)	EK-2100A-SV	1-9
Documentation, "Service Guide" (Not Shown)	EK-KN450-SV	1-9
Door, Access (2100, 4/200)	74-47789-01	1-6
Door, Access (2100, 4/233)	74-47789-04	1-6
Door, Access (2100, 4/275)	74-47789-05	1-6
Door, Access (2100, 5/250)	74-47789-06	1-6
Door, Access (2100, 5/300)	74-47789-07	1-6
Door, Access (2100A, 4/275)	74-47789-11	1-6
Door, Access (2100A, 5/250)	74-47789-09	1-6
Door, Access (2100A, 5/300)	74-47789-10	1-6
DOOR ASSEMBLY, FRONT	70-31279-03	1-4
Door, Left	74-48280-02	2-22, 3-18
ENCLOSURE ASSEMBLY, 2100, 3 PCI	BA740-A9	1-2, 2-A
ENCLOSURE ASSEMBLY, 2100A, 8 PCI	BA740-B9	1-2, 3-A
ENCLOSURE ASSEMBLY, CHASSIS	70-31280-01	2-27, 5-A
ENCLOSURE ASSEMBLY, CHASSIS	70-31280-02	3-22, 5-B

INDEX BY DIGITAL PART DESCRIPTION

AlphaServer 2100/2100A Series

DESCRIPTION	PART NUMBER	FIG.-ITEM NUMBER
FAN TRAY ASSEMBLY	70-31278-01	2-26, 3-21, 4-A
Fan Tray	74-47873-01	4-5
Fan, 6 3/4 Inch, 12VDC	12-36202-02	4-3
Fan, Tube Axial, 4 1/2 Inch	12-23609-09	4-2
Filler, CBUS Module Airflow	74-48265-01	1-7
Finger, Non-Snag Grounding	12-26922-01	5-2
Floppy Drive (3 1/2 Inch), 2.88 MB	RX26-AA	8-2
Floppy Drive, (3 1/2 Inch), 1.44 MB	RX23L-AA	8-2
Grommet, Round Rubber	90-07014-00	4-6
Guide, Nylon Card	12-12405-00	5-1
Harness Assembly	17-03919-01	6-8
Jumper, 16 Bit SCSI Bus, Module	54-23378-01	7-7
Jumper, 2 Position ID	12-18783-00	7-4A
Jumper, 8 Bit SCSI Bus, Module	54-21998-01	6-7
Key, w/Black Plastic Cover	12-36437-03	1-3
Kit, EISA System Configuration (Not Shown)	QC-01YAA-HC	1-8
Latch, Mini Push	12-41662-01	1-4B
Lock, Keyed	12-36437-01	1-4A
Module, AXP 2000 CPU, 233 MHz, 1 MB Chip	B2020-BA	1-1
Module, AXP 2000 CPU, EV4-S Chip	B2020-AA	1-1
Module, AXP 2000 CPU, EV4.5 Chip	B2024-AA	1-1
Module, AXP 2000 CPU, EV5 Chip	B2040-AB	1-1
Module, AXP 2000 CPU, EV5, 300 MHz Chip	B2040-BA	1-1
Module, Backplane, 3 EISA/8 PCI	54-24129-01	3-1
Module, Backplane, 8 EISA/3 PCI	54-23149-01	2-23
Module, Fan Control	54-23260-01	4-4
Module, Operator Control Panel	54-23180-01	2-28A, 3-23A
Module, Remote I/O Panel	54-23151-01	2-24, 3-20
MODULE, SBL SPLIT	54-23343-01	7-4
Module, Standard I/O, PCI-EISA	B2110-AA	2-1
Module, Storage Backplane	54-22903-01	6-4
Nut, Kep, M3, 5.5 mm	90-40203-01	2-25, 4-7
OCP ASSEMBLY	70-31281-01	2-28, 3-23
Panel, Right	74-48279-01	3-19
Panel, Right	74-48279-02	2-41
Power Cord (Australia, New Zealand) (BN19H-2E)	17-00198-14	2-9, 3-6
Power Cord (Austria, Belgium, France, Germany, Finland, Holland, Norway, Sweden, Portugal, Spain) (BN19C-2E)	17-00199-21	2-9, 3-6
Power Cord (Denmark) (BN19K-2E)	17-00310-08	2-9, 3-6
Power Cord (India, South Africa) (BN19S-2E)	17-00456-16	2-9, 3-6
Power Cord (Israel) (BN18L-2E)	17-00457-16	2-9, 3-6
Power Cord (Italy) (BN19M-2E)	17-00364-18	2-9, 3-6
Power Cord (Switzerland) (BN19E-2E)	17-00210-13	2-9, 3-6
Power Cord (U.K., Ireland) (BN19A-2E)	17-00210-15	2-9, 3-6
Power Cord (U.S., Japan, Canada) (BN27Y-1J)	17-00083-15	2-9, 3-6
Power Supply, 600W	30-41274-01	2-17, 3-13

INDEX BY DIGITAL PART DESCRIPTION
AlphaServer 2100/2100A Series

DESCRIPTION	PART NUMBER	FIG. - ITEM NUMBER
Rail, SBB (Left)	74-47028-02	6-3, 7-3
Rail, SBB (Right)	74-47028-01	6-2, 7-2
Screw, Mach M3, Flat 6 mm	90-40122-03	2-21, 3-17, 8-4
Screw, Mach Pan Hd No. 4-40 x 1/4	12-41427-01	2-6
Screw, Mach, M3, Pan, 16 mm	90-40006-10	4-8
Screw, Sems Pan Hd No. 6-32 x 1/4	90-10174-00	6-9
Screw, Sems Pan Hd No. 6-32 x 5/16	90-09701-00	2-19
Screw, Thrl 6-32, Pan 1/4"	90-00062-10	3-15
Screw, Thrl M4, Pan 10 mm	90-40005-06	2-20, 3-16, 8-5
Screw, Truss Hd No. 6-20 x 3/4	90-11370-01	6-5, 7-5
Shield, EMI/RFI, BCU, Finger Contact	12-42799-01	5-3
Shield, EMI/RFI, BCU, Finger Contact	12-42798-01	5-4
Speaker w/4 Pos. Connector, Wire Assembly	12-39309-01	2-4, 3-3
Standoff, Nylon	12-19857-05	4-1
StorageWorks, 16 BIT/8 BIT SCSI (BA35E-SA)	70-31481-01	1-5, 7-A
StorageWorks, 8 BIT SCSI	70-30117-01	1-5, 6-A
Tape Drive, DAT, 4 GB	TLZ06-LG	8-6
Tape Drive, DAT, 8 GB	TLZ07-LG	8-6
Tape Drive, QIC, 2 GB	TZK11-LG	8-6
Tape Drive, SCSI, Single-Ended, 20 GB	TZ87-BA	8-8
Tape Loader, DAT, 16 GB, 4 mm	TLZ6L-LG	8-8
Tape Loader, DAT, 32 GB, 4 mm	TLZ7L-LG	8-8
Terminator, 16 Bit SCSI Bus, Module	54-23376-01	7-6
Terminator, 8 Bit SCSI Bus, Module	54-22000-01	6-6
Terminator, SCSI, Feed-Thru	12-41296-01	2-5, 3-11A
Terminator, SCSI-2, 50 Pos.	12-37004-04	2-3
Tray, Storage (3 1/2 Inch)	74-47878-01	2-35, 3-29, 8-3
Tray, Storage (For Removables)	74-48179-01	2-40, 3-33, 8-7
Waveguide, Channel	74-50097-01	2-39, 3-32
Waveguide, Side	74-50098-01	2-38, 3-31
Weldment, Chassis, 2 Piece for 16 Bit SCSI	74-48653-01	7-1
Weldment, Chassis, 4 Piece for 8 Bit SCSI	70-30116-01	6-1