

AlphaStation 255 Series
Illustrated Parts Breakdown

Order Number: EK-VLLXA-IP. A01

Digital Equipment Corporation
Maynard, Massachusetts

Digital Equipment Corporation reserves the right, without notice, to make substitutions and modifications in the specifications of products documented in this manual and further reserves the right to withdraw any of these products from the market without notice.

Digital Equipment Corporation is not responsible for errors which may appear in the technical description (including illustrations and photographs) of the products covered by this manual.

None of the descriptions contained in this manual imply the granting of any license whatsoever to make, use or sell equipment constructed in accordance therewith.

Restricted Rights: Use, duplication or disclosure by the U.S. Government is subject to restrictions as set forth in subparagraph (c) (1) (ii) of the Rights in Technical Data and Computer Software clause at DFARS 252.227-2713.

Copyright © 1996 by Digital Equipment Corporation. All rights reserved.
Printed in U.S.A.

The following are trademarks of Digital Equipment Corporation :
AlphaGeneration, AlphaStation, Digital UNIX, Open VMS, ThinWire and the Digital logo.

The following are third party trademarks:
Microsoft and Windows NT are registered trademarks of Microsoft Corporation.

Reader's Comments

Digital welcomes your comments on this or any other manual.
You can send your comments to Digital in the following ways:

- Internet electronic mail to: *readers_comment@zk3.dec.com*
- Mail:

Digital Equipment Corporation
Shared Engineering Services
129 Parker Street
PKO3-2/A9
Maynard, MA 01754-2199

Please reference EK-VLLXA-IP. A01 in your correspondence.

**ILLUSTRATED
PARTS
BREAKDOWN**

AlphaStation 255 Series

ILLUSTRATED PARTS BREAKDOWN (IPB)

The IPB is used to identify a part and its location in a hardware product. The document references specific item numbers in the associated parts list.

HOW TO USE THE IPB

1. Locate the figure containing the item of interest.
2. Locate the number (callout) of the item of interest.
3. Locate that item number in the associated parts list.

FORMAT

Each IPB is generally organized based on its first figure. All other assemblies and subassemblies are referenced from this figure. Each figure contains numeric callouts of all major parts (items).

PARTS LIST

Each parts list contains the following:

Figure and Item No. – Lists the figure number and its referenced numeric callout

Description – Presents the name and a brief description of the item. A single asterisk (*) preceding the description denotes item is a

subassembly to its referenced figure. A double asterisk (**) preceding the description indicates that this item is subordinate to the preceding single asterisk item.

Digital Part No. – Lists the Digital/Vendor part number. The letter in the column heading indicates the current revision level of the Engineering Drawing for the referenced figure.

ECO Cut-In – Lists the top assembly drawing number and revision level at first printing. All additional revisions to an item are listed in this column.

Used On Code – Lists letters referring to the product variation assigned in Figure 1. When this column is blank, the item is used in all variations.

Ref Fig No. – Lists a cross reference between figures within the IPB.


PART NUMBER/PART DESCRIPTION INDEX SECTION

Lists items by part number numerically, and description alphabetically. Items are also referenced to a location within the IPB by figure and item number.

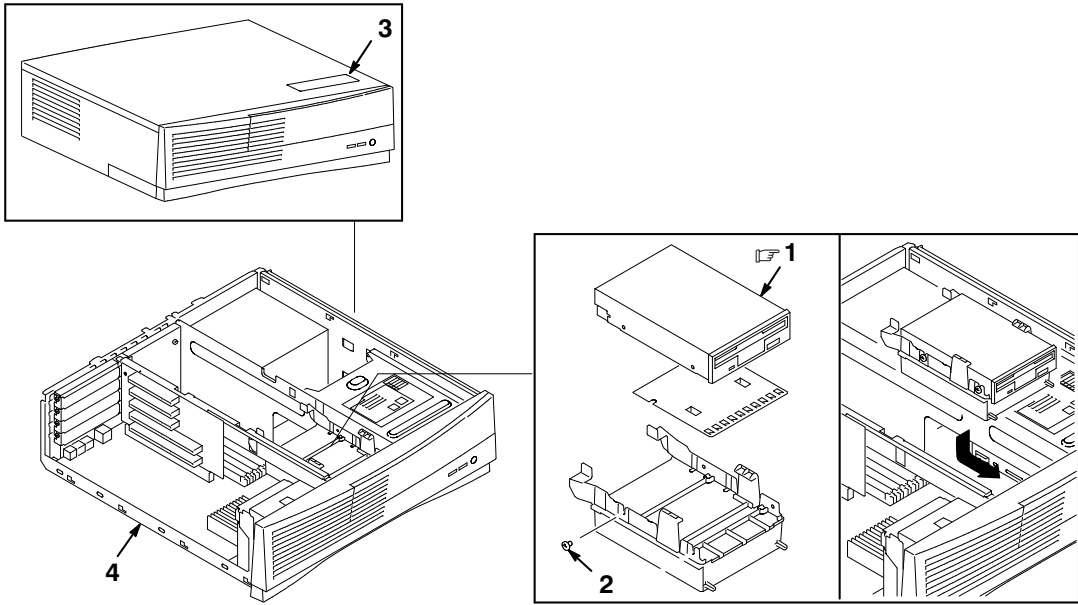
ECO/REVISION HISTORY

**OTHER IPB
MANUALS
REFERENCED**

FIGURE NO.	ASSEMBLY	INITIAL LEVEL	CURRENT LEVEL	PRINTING DATE	OTHER IPB MANUALS REFERENCED
1	PB47A	00000	00000	8-MAR-96	N/A
2	PB48A	00000	00000		
3	PB47H	00000	00000		
3	PB48H	00000	00000		


FIG. & ITEM NO.	DESCRIPTION	DIGITAL PART NO. ^A	ECO CUT-IN PB47A 00000	USED ON CODE	REF FIG NO.
1-	AlphaStation 255 Sys. Bldg. Block (233 MHz) (UNIX) AlphaStation 255 Sys. Bldg. Block (233 MHz) (VMS) AlphaStation 255 Sys. Bldg. Block (233 MHz) (NT)	PB47A-AA PB47A-BA PB47A-CA		A B C	
 1	*Floppy Disk Drive, (3 1/2 Inch, 1.44 MB)	RX23L-AB		C	
2	*Screw, Sems Pan Hd No. M3 x 6mm	90-09984-20		C	
3	*Label, "License Agreement"	36-38668-01		AB	
4	*AlphaStation 255 KERNEL ASSEMBLY (233 MHz)	PB47H-AA			3

  INDICATES FRU LEVEL PARTS.

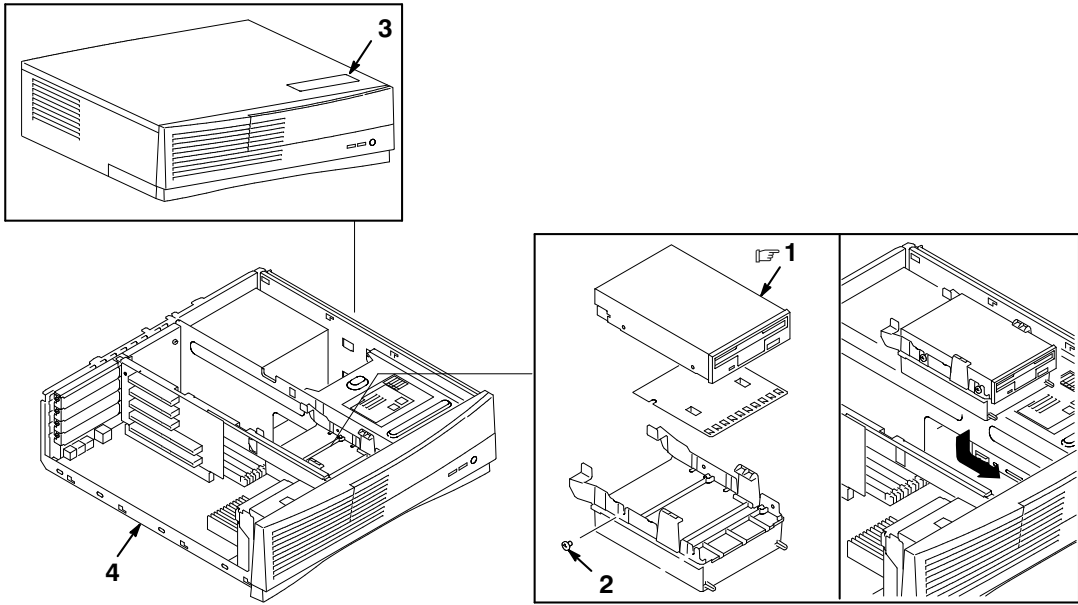


IP-PB47A-01

Figure 1. AlphaStation 255 System Building Block (233 MHz)

FIG. & ITEM NO.	DESCRIPTION	DIGITAL PART NO. ^A	ECO CUT-IN PB48A 00000	USED ON CODE	REF FIG NO.
2-	AlphaStation 255 Sys. Bldg. Block (300 MHz) (UNIX) AlphaStation 255 Sys. Bldg. Block (300 MHz) (VMS) AlphaStation 255 Sys. Bldg. Block (300 MHz) (NT)	PB48A-AA PB48A-BA PB48A-CA		A B C	
 1	*Floppy Disk Drive, (3 1/2 Inch, 1.44 MB)	RX23L-AB		C	
2	*Screw, Sems Pan Hd No. M3 x 6mm	90-09984-20		C	
3	*Label, "License Agreement"	36-38668-01		AB	
4	*AlphaStation 255 KERNEL ASSEMBLY (300 MHz)	PB48H-AA			3

  INDICATES FRU LEVEL PARTS.



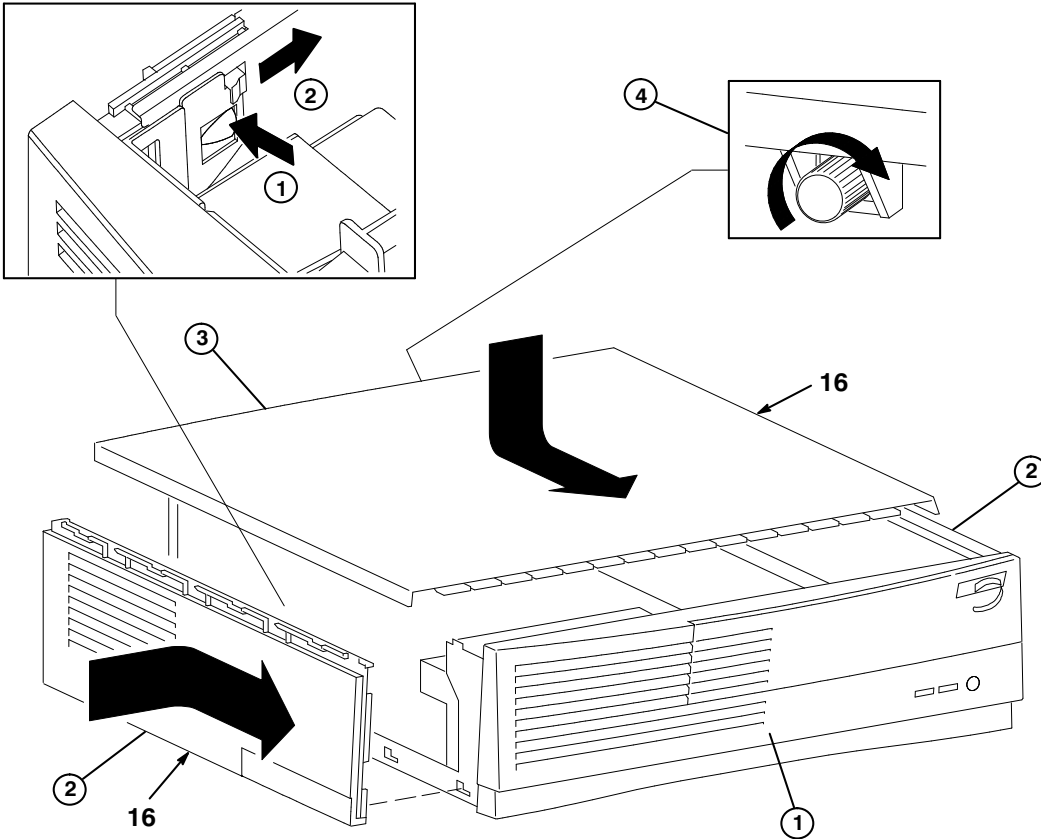
IP-PB47A-01

Figure 2. AlphaStation 255 System Building Block (300 MHz)

INDICATES FRU LEVEL PARTS.

PARTS LIST

PROCEDURE TO REMOVE SIDE PANEL



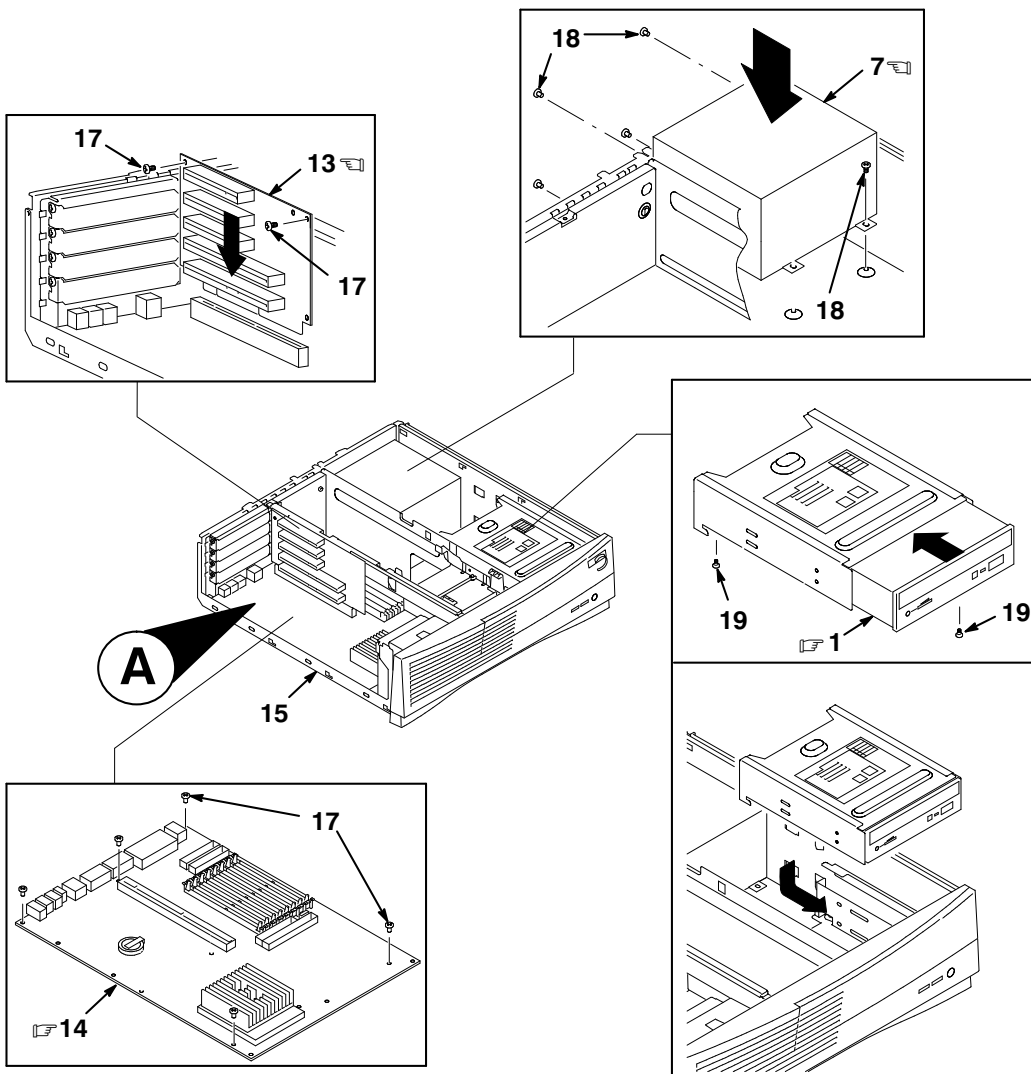
BUILD PROCEDURE	
①	Attach Front Bezel
②	Attach Side Panels
③	Attach Top Cover
④	Tighten Thumb Screw

IP-PB47H-01

Figure 3. AlphaStation 255 Kernel Assembly (Sheet 1 of 5)

INDICATES FRU LEVEL PARTS.

PARTS LIST

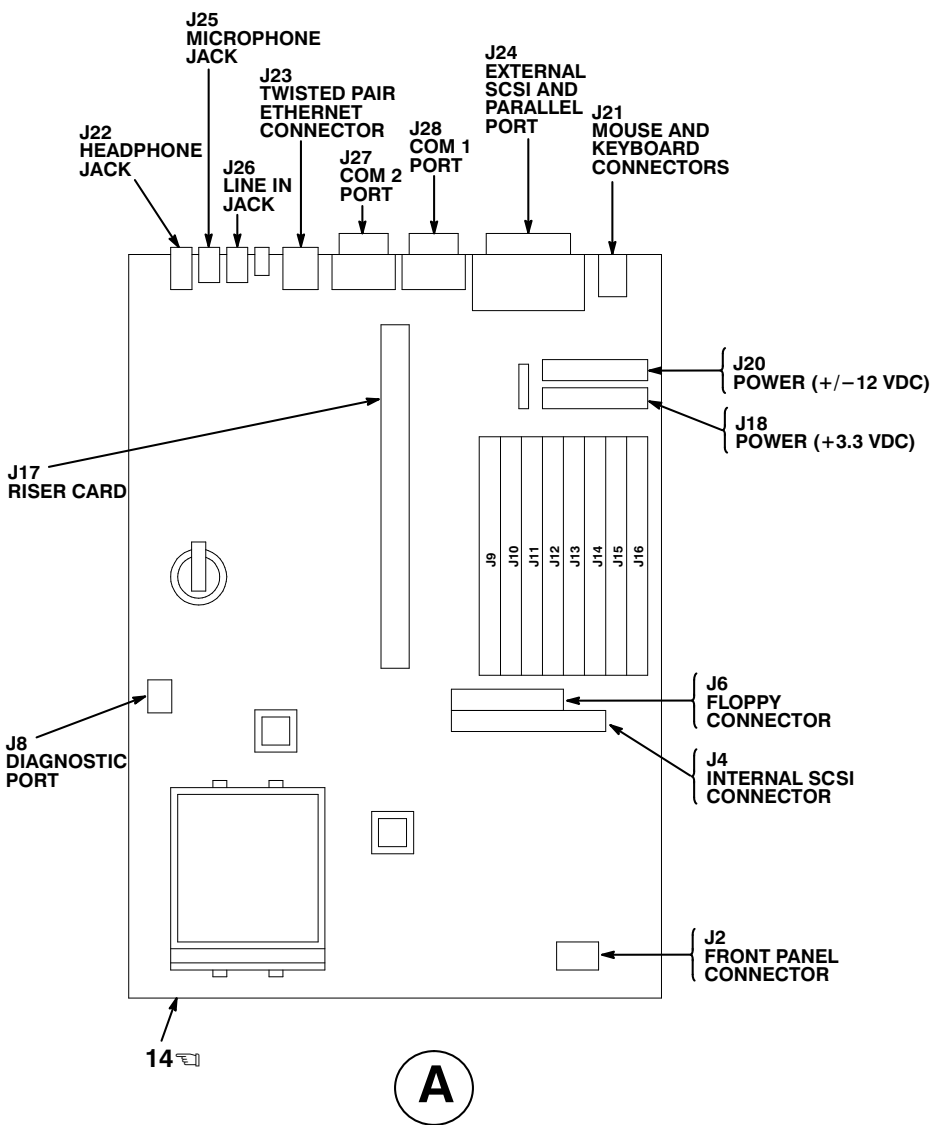


IP-PB47H-02

Figure 3. AlphaStation 255 Kernel Assembly (Sheet 2 of 5)

INDICATES FRU LEVEL PARTS.

PARTS LIST

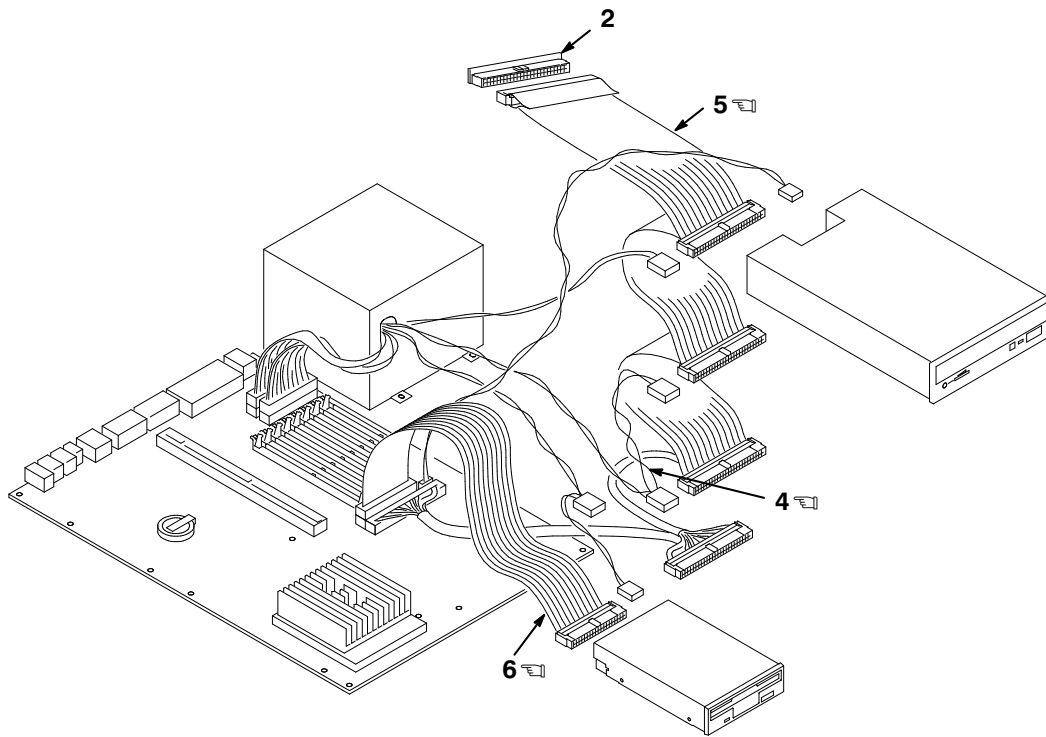


IP-PB47H-03

Figure 3. AlphaStation 255 Kernel Assembly (Sheet 3 of 5)

INDICATES FRU LEVEL PARTS.

PARTS LIST

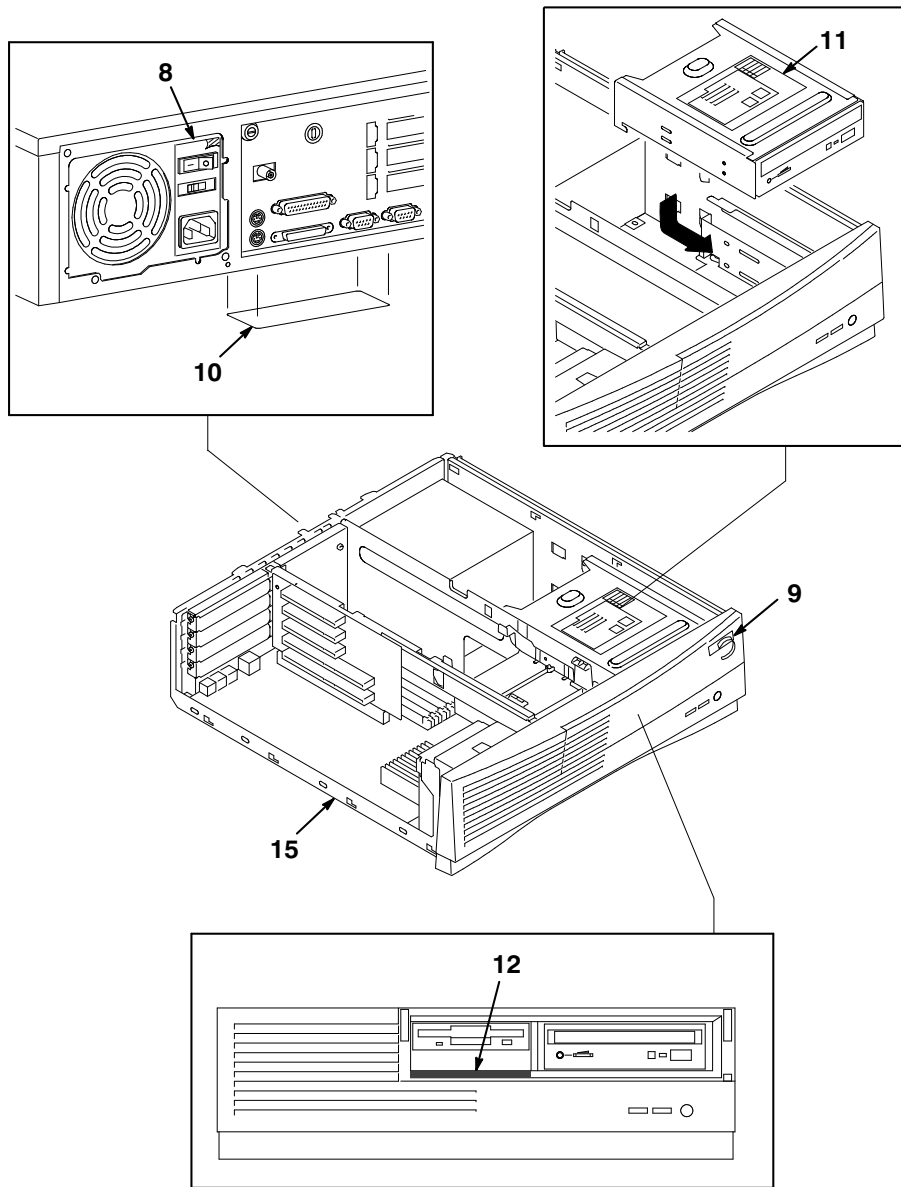


IP-PB47H-04

Figure 3. AlphaStation 255 Kernel Assembly (Sheet 4 of 5)

☐ INDICATES FRU LEVEL PARTS.

PARTS LIST 



IP-PB47H-05

Figure 3. AlphaStation 255 Kernel Assembly (Sheet 5 of 5)

FIG. & ITEM NO.	DESCRIPTION	DIGITAL PART NO.	ECO CUT-IN	USED ON CODE	REF FIG NO.
3-	AlphaStation 255 KERNEL ASSEMBLY (233 MHz)	PB47H-AA		A	1
	AlphaStation 255 KERNEL ASSEMBLY (300 MHz)	PB48H-AA		B	2
1	*CD-ROM (4X)	RRD45-AB			
2	*Connector, 50-Pin SCSI Terminator	12-36929-03			
3	*Terminator, 50-Pin Male Hd SCSI (Not Shown)	12-41667-02			
4	*Wire Harness, 3 Cond., 28 AWG	17-04272-01			
5	*Cable, Flat 50 Cond., 28 AWG	17-04313-01			
6	*Cable, Flat 34 Cond., 28 AWG	17-04314-01			
7	*Power Supply, 200W	30-46120-02			
8	*Label, "Warning Equipment Rating, 100-120V" (U.S.)	36-17905-16			
	*Label, "Warning Equipment Rating, 220-240V" (International)	36-17905-17			
9	*Label, "Alpha Generation Logo"	36-43277-01			
10	*Label, "Regulatory, Model/Serial Number" (U.S.)	36-43336-13			
	*Label, "Regulatory, Model/Serial Number" (U.K.)	36-43336-14			
	*Label, "Regulatory, Model/Serial Number" (Singapore)	36-43336-19			
11	*Label, "Customer Installation"	36-46493-01			
12	*Label, "Product ID"	36-46887-02			
13	*Module, Riser	54-24321-01			
14	*Module, System (233 MHz)	54-24631-01		A	
	*Module, System (300 MHz)	54-24631-02		B	
15	*Chassis Assembly	70-32022-02			
16	*Cover Assembly	70-32026-01			
17	*Screw, Sems Pan Hd No. M3 x 6mm	90-09984-20			
18	*Screw, Sems Pan Hd No. M3.5 x 8mm	90-09984-29			
19	*Screw, Sems Pos, M3 x 5mm	90-11187-01			