

MicroVAX 3100 Models 88/98
VAX 4000 Model 108

Illustrated Parts Breakdown

Order Number: EK-VX489-IP. A01

Digital Equipment Corporation
Maynard, Massachusetts

Digital Equipment Corporation reserves the right, without notice, to make substitutions and modifications in the specifications of products documented in this manual and further reserves the right to withdraw any of these products from the market without notice.

Digital Equipment Corporation is not responsible for errors which may appear in the technical description (including illustrations and photographs) of the products covered by this manual.

None of the descriptions contained in this manual imply the granting of any license whatsoever to make, use or sell equipment constructed in accordance therewith.

Restricted Rights: Use, duplication or disclosure by the U.S. Government is subject to restrictions as set forth in subparagraph (c) (1) (ii) of the Rights in Technical Data and Computer Software clause at DFARS 252.227-2713.

Copyright ©1997 by Digital Equipment Corporation. All rights reserved.
Printed in U.S.A.

The following are trademarks of Digital Equipment Corporation :
AlphaGeneration, AlphaServer, Digital UNIX, MicroVAX, Open VMS, ThinWire, VAX and the Digital logo.

The following are third party trademarks:
Microsoft and Windows NT are registered trademarks of Microsoft Corporation.

Reader's Comments

Digital welcomes your comments on this or any other manual.
You can send your comments to Digital in the following ways:

- Internet electronic mail to: *readers_comment@zk3.dec.com*
- Mail:

Digital Equipment Corporation
Shared Engineering Services
129 Parker Street
PKO3-2/21J
Maynard, MA 01754-2199

Please reference EK-VX489-IP. A01 in your correspondence.

**ILLUSTRATED
PARTS
BREAKDOWN**

**MicroVAX 3100 Models 88/98
VAX 4000 Model 108**

ILLUSTRATED PARTS BREAKDOWN (IPB)

The IPB is used to identify a part and its location in a hardware product. The document references specific item numbers in the associated parts list.

HOW TO USE THE IPB

1. Locate the figure containing the item of interest.
2. Locate the number (callout) of the item of interest.
3. Locate that item number in the associated parts list.

FORMAT

Each IPB is generally organized based on its first figure. All other assemblies and subassemblies are referenced from this figure. Each figure contains numeric callouts of all major parts (items).

PARTS LIST

Each parts list contains the following:

Figure and Item No. – Lists the figure number and its referenced numeric callout

Description – Presents the name and a brief description of the item. A single asterisk (*) preceding the description denotes item is a

subassembly to its referenced figure. A double asterisk (**) preceding the description indicates that this item is subordinate to the preceding single asterisk item.

Digital Part No. – Lists the Digital/Vendor part number. The letter in the column heading indicates the current revision level of the Engineering Drawing for the referenced figure.

ECO Cut-In – Lists the top assembly drawing number and revision level at first printing. All additional revisions to an item are listed in this column.

Used On Code – Lists letters referring to the product variation assigned in Figure 1. When this column is blank, the item is used in all variations.

Ref Fig No. – Lists a cross reference between figures within the IPB.

PART NUMBER/PART DESCRIPTION INDEX SECTION

Lists items by part number numerically, and description alphabetically. Items are also referenced to a location within the IPB by figure and item number.

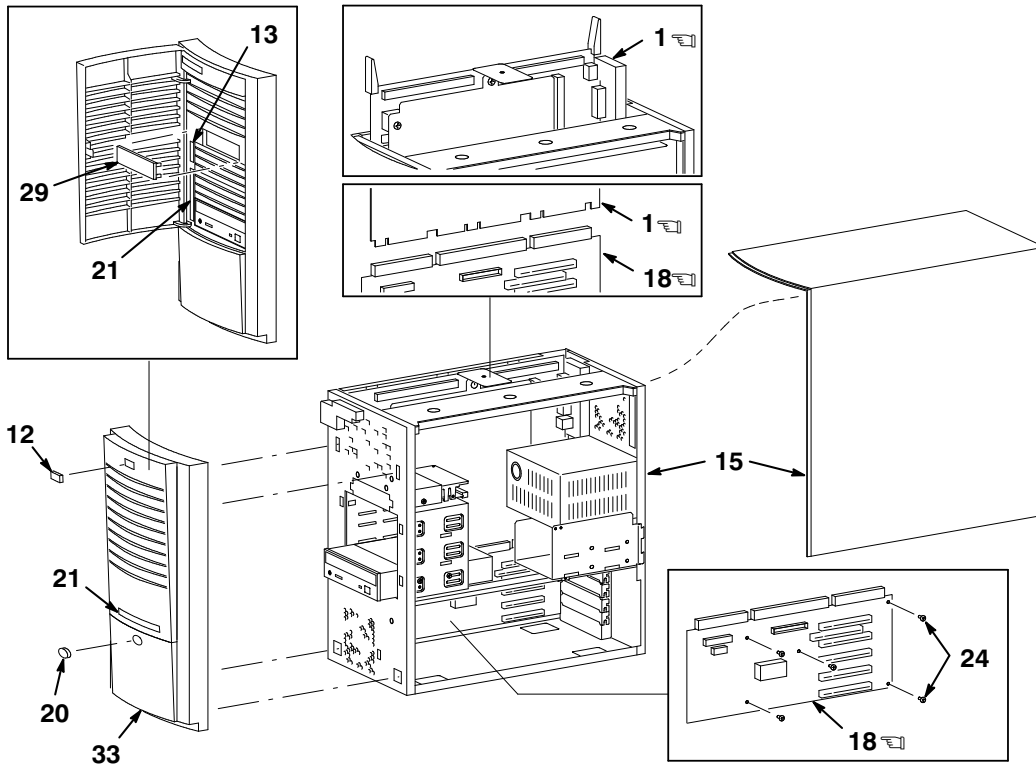
ECO/REVISION HISTORY

**OTHER IPB
MANUALS
REFERENCED**

| FIGURE NO. | ASSEMBLY | INITIAL LEVEL | CURRENT LEVEL | PRINTING DATE | OTHER IPB MANUALS REFERENCED |
|------------|----------|---------------|---------------|---------------|------------------------------|
| 1 | 46ZCM | 00002 | 00002 | JAN 1997 | N/A |
| 2 | 49ZCM | 00002 | 00002 | | |
| 3 | 49DCM | 00002 | 00002 | | |

INDICATES FRU LEVEL PARTS.

PARTS LIST

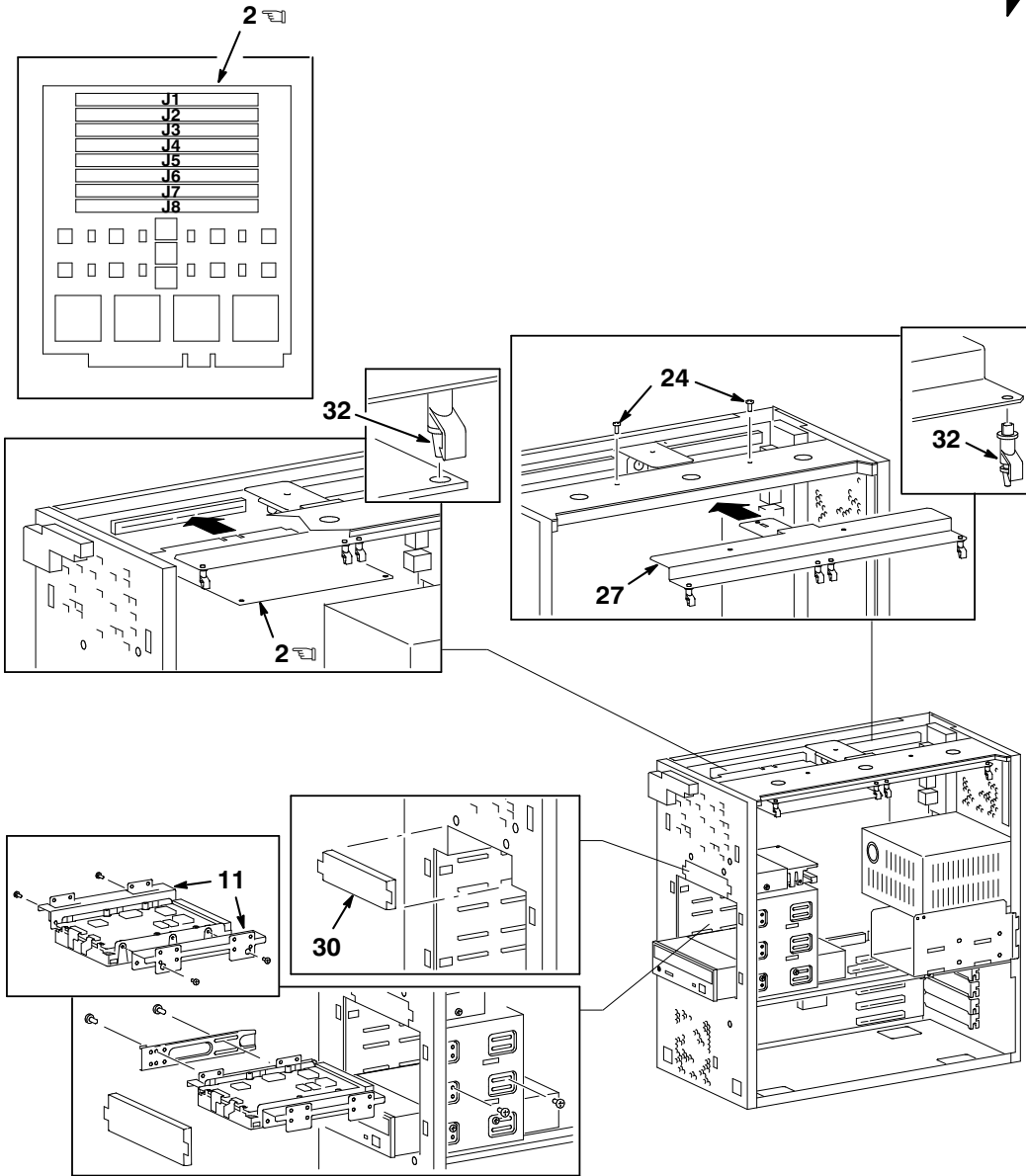


IP-46ZCM-01

Figure 1. MicroVAX 3100 Model 88 System Building Block (Sheet 1 of 4)

INDICATES FRU LEVEL PARTS.

PARTS LIST

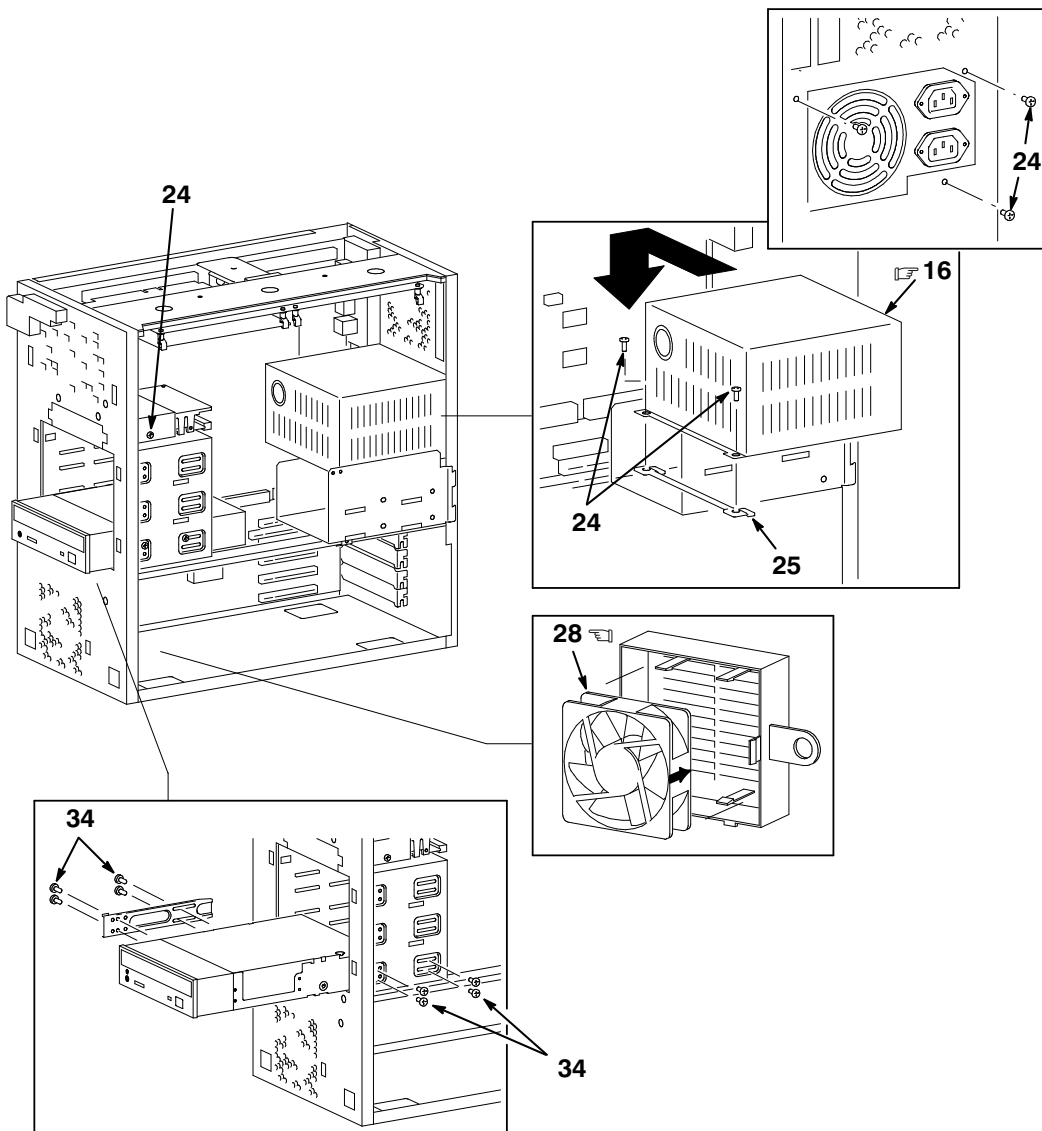


IP-46ZCM-02

Figure 1. MicroVAX 3100 Model 88 System Building Block (Sheet 2 of 4)

INDICATES FRU LEVEL PARTS.

PARTS LIST

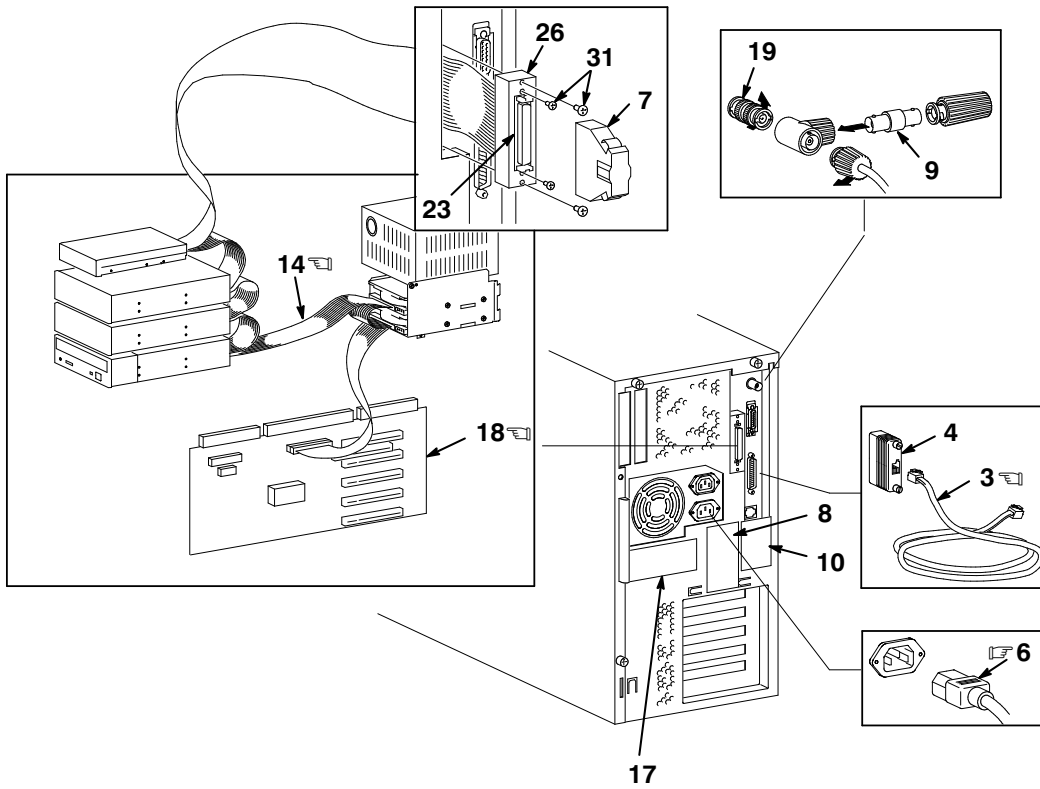


IP-46ZCM-03

Figure 1. MicroVAX 3100 Model 88 System Building Block (Sheet 3 of 4)

INDICATES FRU LEVEL PARTS.

PARTS LIST



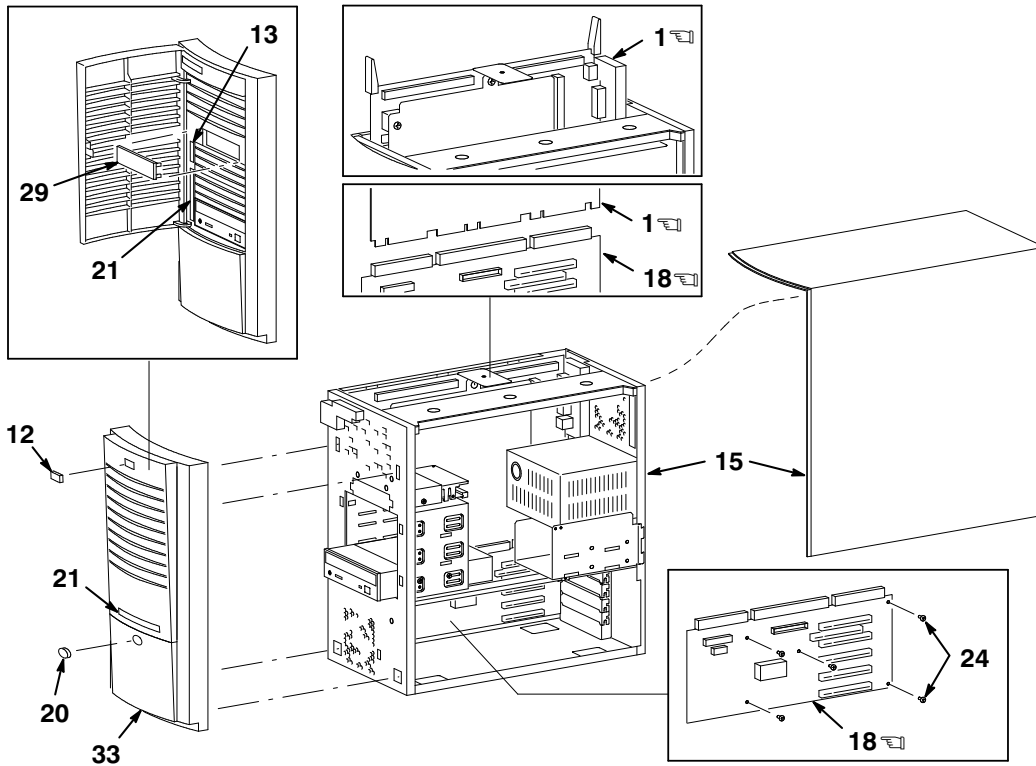
IP-46ZCM-04

Figure 1. MicroVAX 3100 Model 88 System Building Block (Sheet 4 of 4)

| FIG. & ITEM NO. | DESCRIPTION | DIGITAL PART NO. | ECO CUT-IN 46ZCM 00002 | USED ON CODE | REF FIG NO. |
|-----------------|---|------------------|------------------------|--------------|-------------|
| 1- | MicroVAX 3100 MODEL 88 SYSTEM BUILDING BLOCK | 46ZCM-A9 | | | |
| 1 | *Module, NVAX CPU, 128 KB Cache | 54-24695-02 | | | |
| 2 | *Module, SIMM Carrier | 54-24699-01 | | | |
| 3 | *Cable, Data, 6 Cond. w/MMJ On Each End (25 Ft.) | BC16E-25 | | | |
| 4 | *Adapter, 25-Pin | H8575-A | | | |
| 5 | *KIT, Thick/ThinWire ETHERNET (Not Shown) | 70-26209-01 | | | |
| | **Connector, BNC Coaxial | 12-26318-01 | | | |
| | **Tee, BNC Coaxial | 12-25869-01 | | | |
| | **Connector, D SUB, 15 Pos. | 12-22196-01 | | | |
| 6 | *Power Cord, 125V | 17-00606-10 | | | |
| 7 | *Terminator, SCSI, 50 Pos. | 12-37004-04 | | | |
| 8 | *Label, "Attention, Pre-Installed Software" | 36-28979-01 | | | |
| 9 | *Splice, BNC Coaxial | 12-09745-00 | | | |
| 10 | *Label, "Console Port Arrow" | 36-39380-02 | | | |
| 11 | *Bracket, Exchange (Qty. 4) | 74-48510-01 | | | |
| 12 | *Medallion, Front Panel | 74-48816-01 | | | |
| 13 | *Nameplate, Logo | 74-51892-01 | | | |
| 14 | *Cable, Flat Ribbon, 50 Cond. | 17-04441-01 | | | |
| 15 | *Enclosure, Mini-Tower | 70-32678-03 | | | |
| 16 | *Power Supply, 300W | 30-45274-01 | | | |
| 17 | *Label, "Regulatory" (U.K.) | 36-45536-30 | | | |
| | *Label, "Regulatory" (U.S.A.) | 36-45536-31 | | | |
| 18 | *Module, CDAL I/O | 54-24697-01 | | | |
| 19 | *Connector, BNC Coaxial Plug Adapter | 12-26802-01 | | | |
| 20 | *Button, Speed, Blank | 74-51176-01 | | | |
| 21 | *Nameplate, MicroVAX 3100 Model 88 | 74-51894-01 | | | |
| 22 | *Package Assembly (Not Shown) | 37-01635-03 | | | |
| 23 | *Bracket, SCSI | 74-51639-01 | | | |
| 24 | *Screw, Mach SPL Hd. 6-32 x .256 (Qty. 11) | 90-11334-01 | | | |
| 25 | *Bracket, Power Supply | 74-51391-01 | | | |
| 26 | *Shield, CPU Port | 74-51353-01 | | | |
| 27 | *Bracket, Memory Support | 74-51389-01 | | | |
| 28 | *Fan, Tube Axial, 80 mm | 12-24701-35 | | | |
| 29 | *Panel, Drive Filler (3.5 Inch) | 74-51610-01 | | | |
| 30 | *Shield, FDD (3.5 Inch) | 74-51171-01 | | | |
| 31 | *Screw, Mach Pan Hd. 4-40 x .187 (Qty. 4) | 90-08032-01 | | | |
| 32 | *Standoff, PC Board (Qty. 4) | 12-30106-01 | | | |
| 33 | *Bezel Assembly | 70-33006-02 | | | |
| 34 | *Screw, Mach M3, Pan 5 mm (Qty. 8) | 90-10556-02 | | | |
| 35 | *Harness, 08 Cond., 18 AWG (Not Shown) (Required In Systems With 6 Drives) | 17-01389-01 | | | |

INDICATES FRU LEVEL PARTS.

PARTS LIST

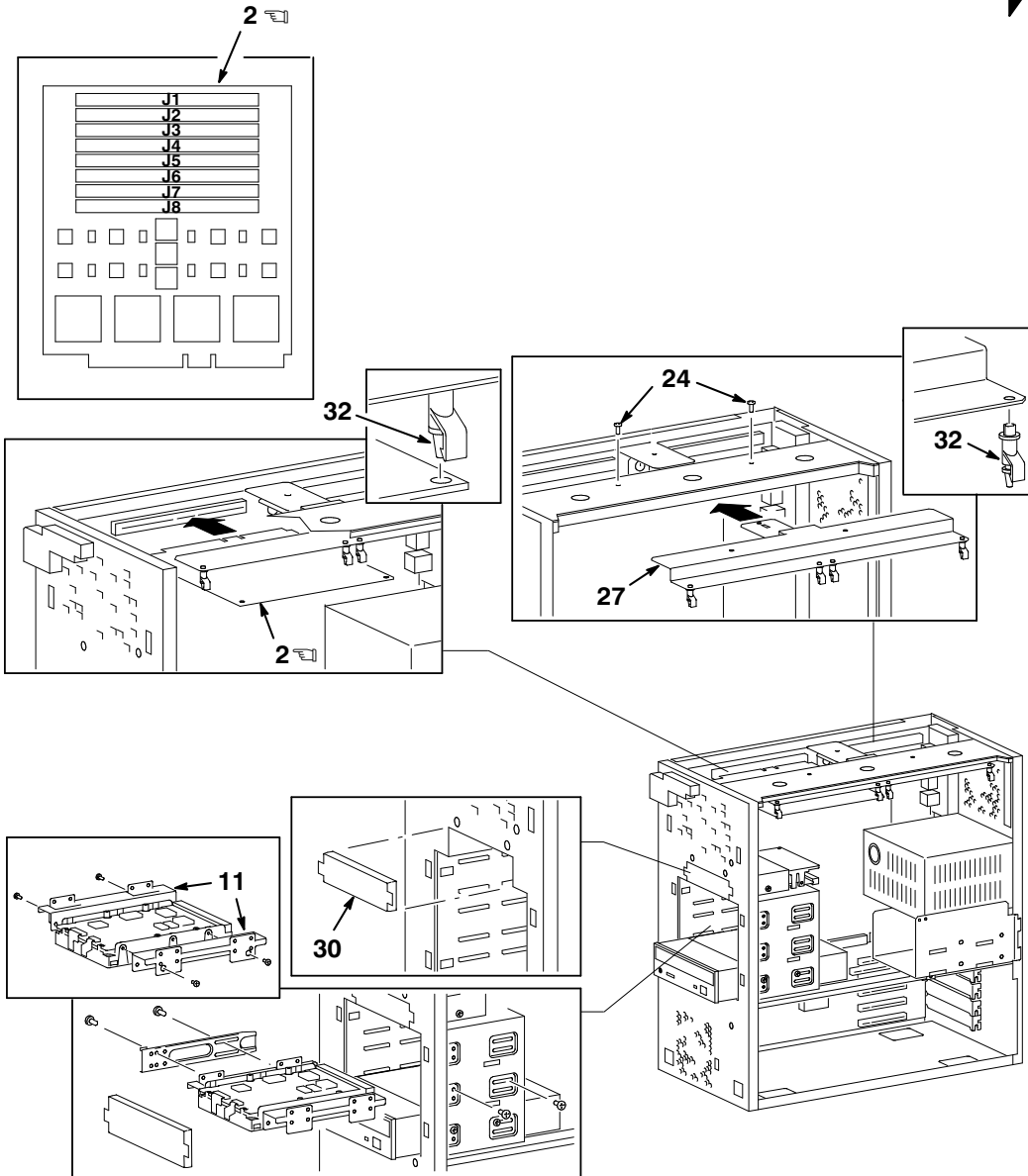


IP-49ZCM-01

Figure 2. MicroVAX 3100 Model 98 System Building Block (Sheet 1 of 4)

INDICATES FRU LEVEL PARTS.

PARTS LIST

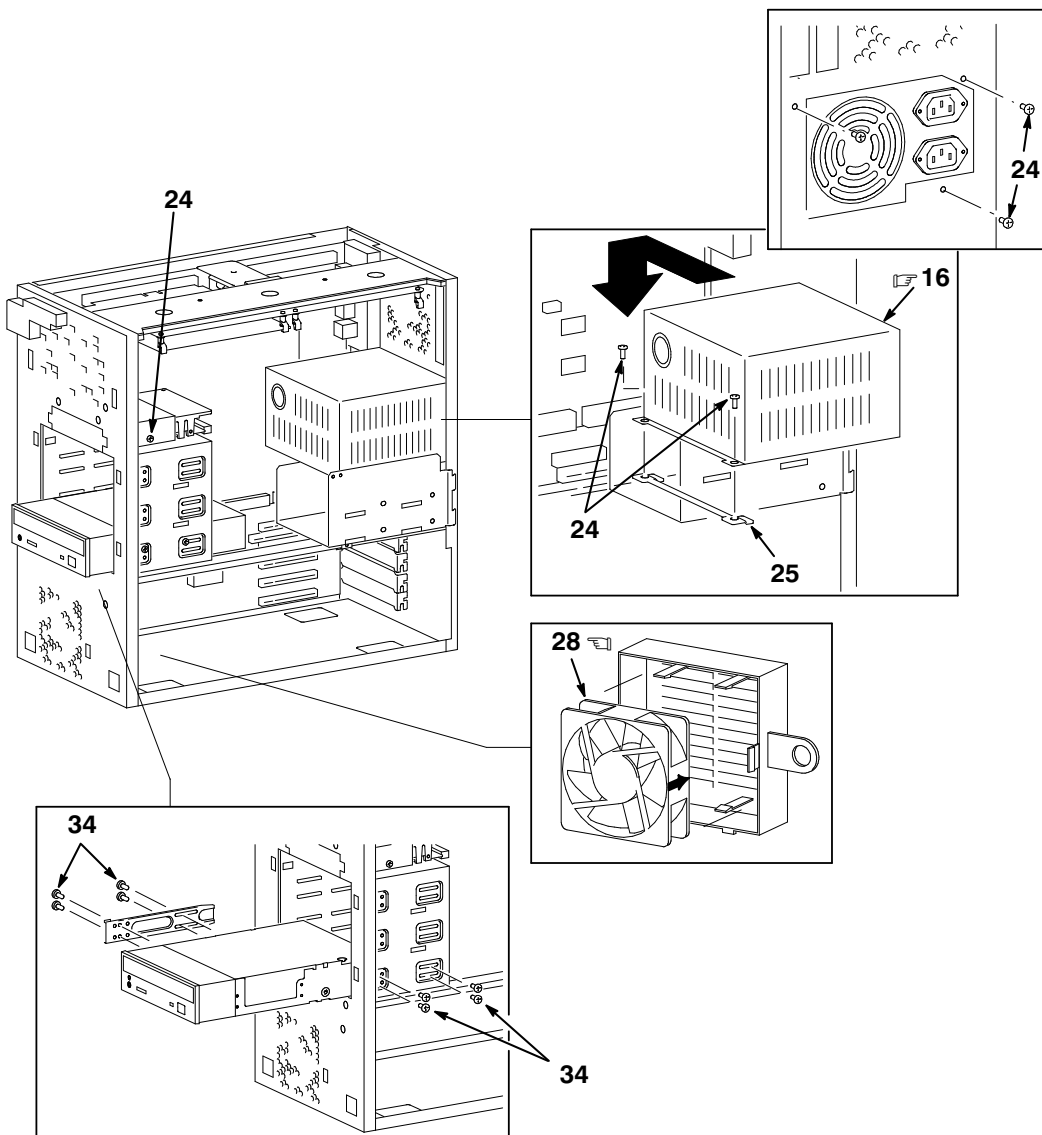


IP-49ZCM-02

Figure 2. MicroVAX 3100 Model 98 System Building Block (Sheet 2 of 4)

 INDICATES FRU LEVEL PARTS.

PARTS LIST 

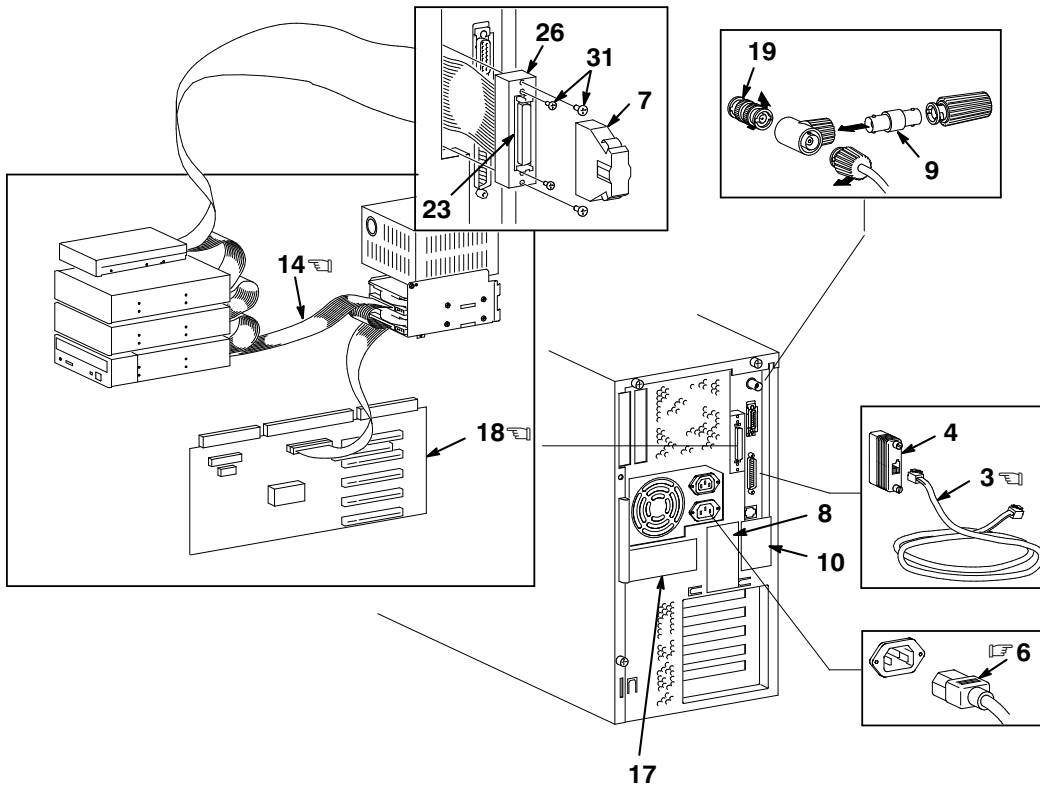


IP-49ZCM-03

Figure 2. MicroVAX 3100 Model 98 System Building Block (Sheet 3 of 4)

INDICATES FRU LEVEL PARTS.

PARTS LIST



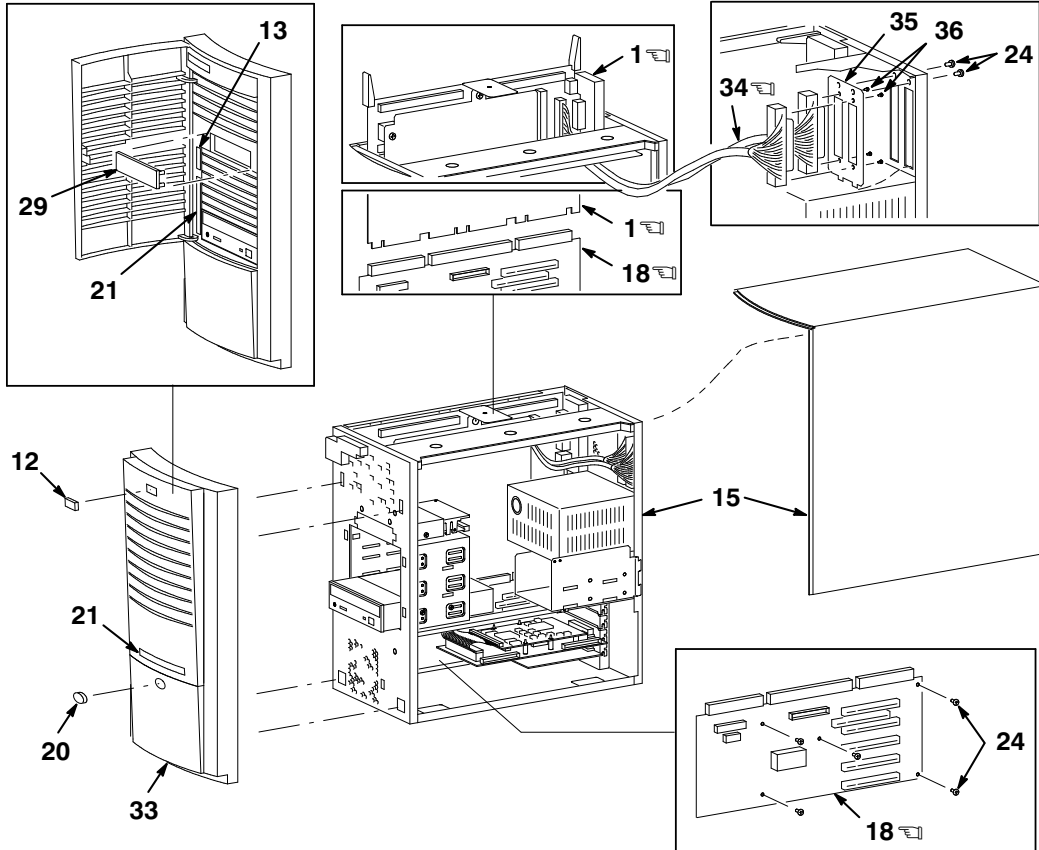
IP-49ZCM-04

Figure 2. MicroVAX 3100 Model 98 System Building Block (Sheet 4 of 4)

| FIG. & ITEM NO. | DESCRIPTION | DIGITAL PART NO. | ECO CUT-IN 49ZCM 00002 | USED ON CODE | REF FIG NO. |
|-----------------|---|------------------|------------------------|--------------|-------------|
| 2- | MicroVAX 3100 MODEL 98 SYSTEM BUILDING BLOCK | 49ZCM-A9 | | | |
| 1 | *Module, NVAX CPU, 512 KB Cache | 54-24695-01 | | | |
| 2 | *Module, SIMM Carrier | 54-24699-01 | | | |
| 3 | *Cable, Data, 6 Cond. w/MMJ On Each End (25 Ft.) | BC16E-25 | | | |
| 4 | *Adapter, 25-Pin | H8575-A | | | |
| 5 | *KIT, Thick/ThinWire ETHERNET (Not Shown) | 70-26209-01 | | | |
| | **Connector, BNC Coaxial | 12-26318-01 | | | |
| | **Tee, BNC Coaxial | 12-25869-01 | | | |
| | **Connector, D SUB, 15 Pos. | 12-22196-01 | | | |
| 6 | *Power Cord, 125V | 17-00606-10 | | | |
| 7 | *Terminator, SCSI, 50 Pos. | 12-37004-04 | | | |
| 8 | *Label, "Attention, Pre-Installed Software" | 36-28979-01 | | | |
| 9 | *Splice, BNC Coaxial | 12-09745-00 | | | |
| 10 | *Label, "Console Port Arrow" | 36-39380-02 | | | |
| 11 | *Bracket, Exchange (Qty. 4) | 74-48510-01 | | | |
| 12 | *Medallion, Front Panel | 74-48816-01 | | | |
| 13 | *Nameplate, Logo | 74-51892-01 | | | |
| 14 | *Cable, Flat Ribbon, 50 Cond. | 17-04441-01 | | | |
| 15 | *Enclosure, Mini-Tower | 70-32678-03 | | | |
| 16 | *Power Supply, 300W | 30-45274-01 | | | |
| 17 | *Label, "Regulatory" (U.K.) | 36-45536-30 | | | |
| | *Label, "Regulatory" (U.S.A.) | 36-45536-31 | | | |
| 18 | *Module, CDAL I/O | 54-24697-01 | | | |
| 19 | *Connector, BNC Coaxial Plug Adapter | 12-26802-01 | | | |
| 20 | *Button, Speed, Blank | 74-51176-01 | | | |
| 21 | *Nameplate, MicroVAX 3100 Model 98 | 74-51895-01 | | | |
| 22 | *Package Assembly (Not Shown) | 37-01635-03 | | | |
| 23 | *Bracket, SCSI | 74-51639-01 | | | |
| 24 | *Screw, Mach SPL Hd. 6-32 x .256 (Qty. 11) | 90-11334-01 | | | |
| 25 | *Bracket, Power Supply | 74-51391-01 | | | |
| 26 | *Shield, CPU Port | 74-51353-01 | | | |
| 27 | *Bracket, Memory Support | 74-51389-01 | | | |
| 28 | *Fan, Tube Axial, 80 mm | 12-24701-35 | | | |
| 29 | *Panel, Drive Filler (3.5 Inch) | 74-51610-01 | | | |
| 30 | *Shield, FDD (3.5 Inch) | 74-51171-01 | | | |
| 31 | *Screw, Mach Pan Hd. 4-40 x .187 (Qty. 4) | 90-08032-01 | | | |
| 32 | *Standoff, PC Board (Qty. 4) | 12-30106-01 | | | |
| 33 | *Bezel Assembly | 70-33006-02 | | | |
| 34 | *Screw, Mach M3, Pan 5 mm (Qty. 8) | 90-10556-02 | | | |
| 35 | *Harness, 08 Cond., 18 AWG (Not Shown) (Required In Systems With 6 Drives) | 17-01389-01 | | | |

☞ INDICATES FRU LEVEL PARTS.

PARTS LIST

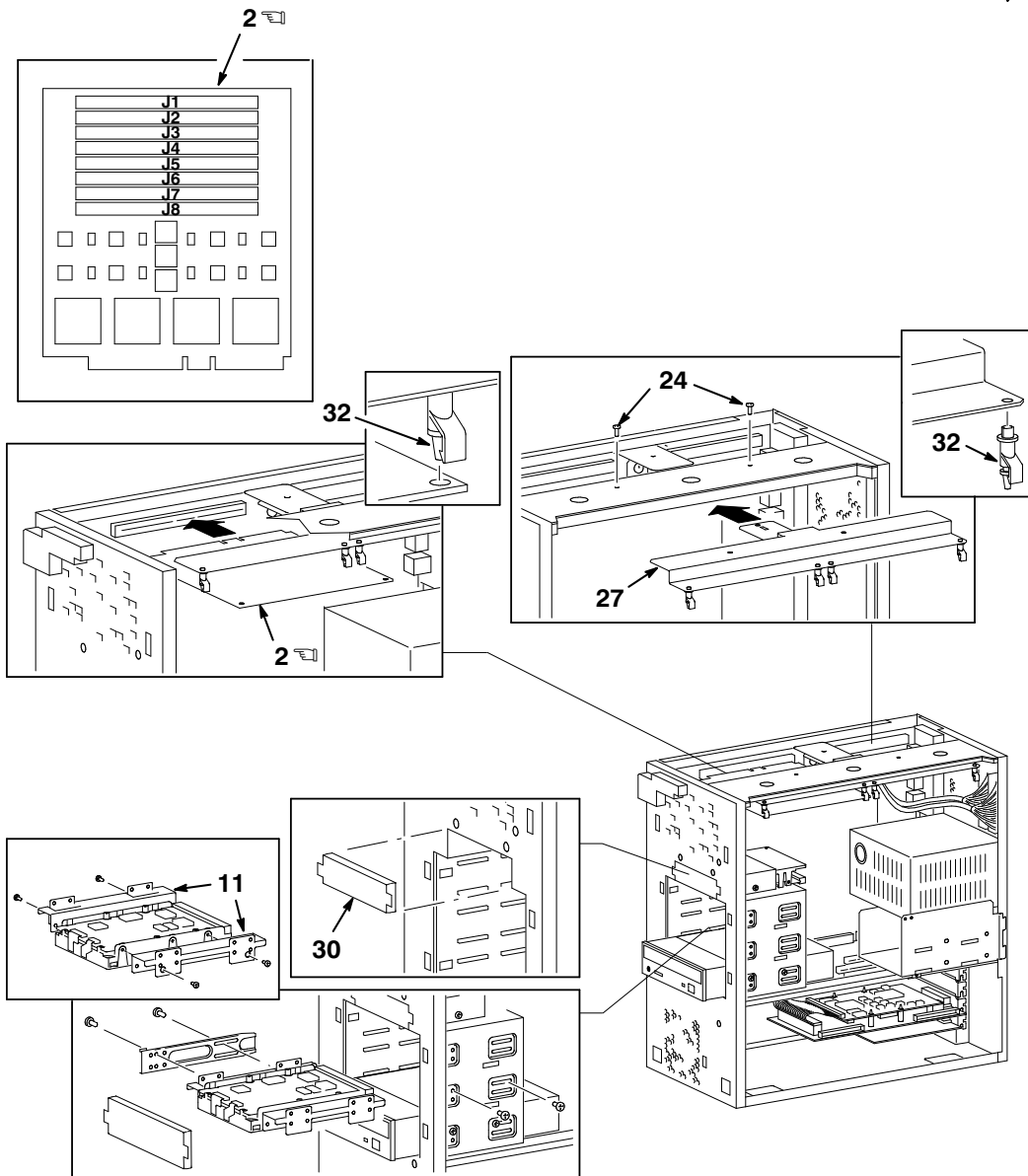


IP-49DCM-01

Figure 3. VAX 4000 Model 108 System Building Block (Sheet 1 of 4)

INDICATES FRU LEVEL PARTS.

PARTS LIST

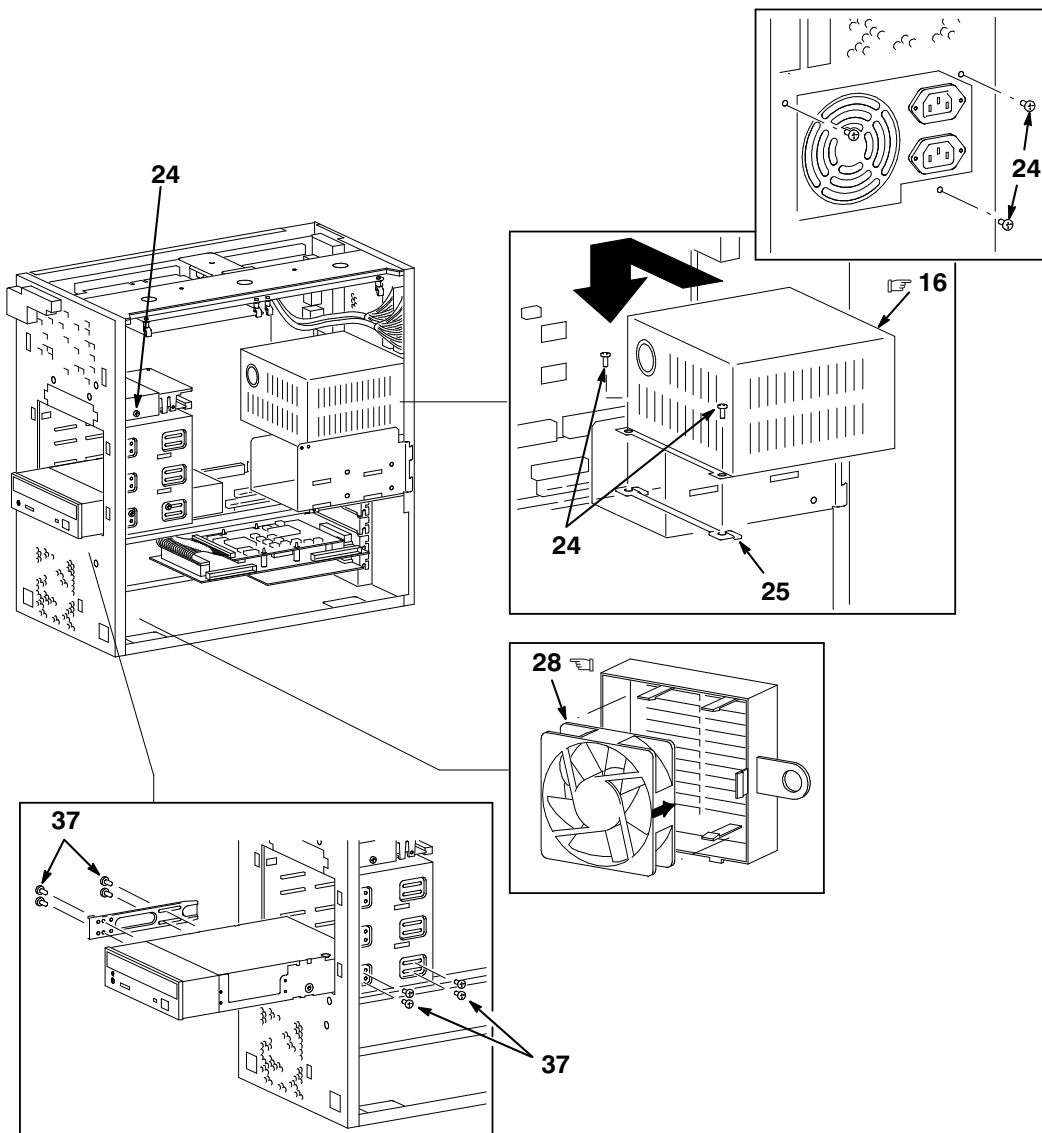


IP-49DCM-02

Figure 3. VAX 4000 Model 108 System Building Block (Sheet 2 of 4)

INDICATES FRU LEVEL PARTS.

PARTS LIST

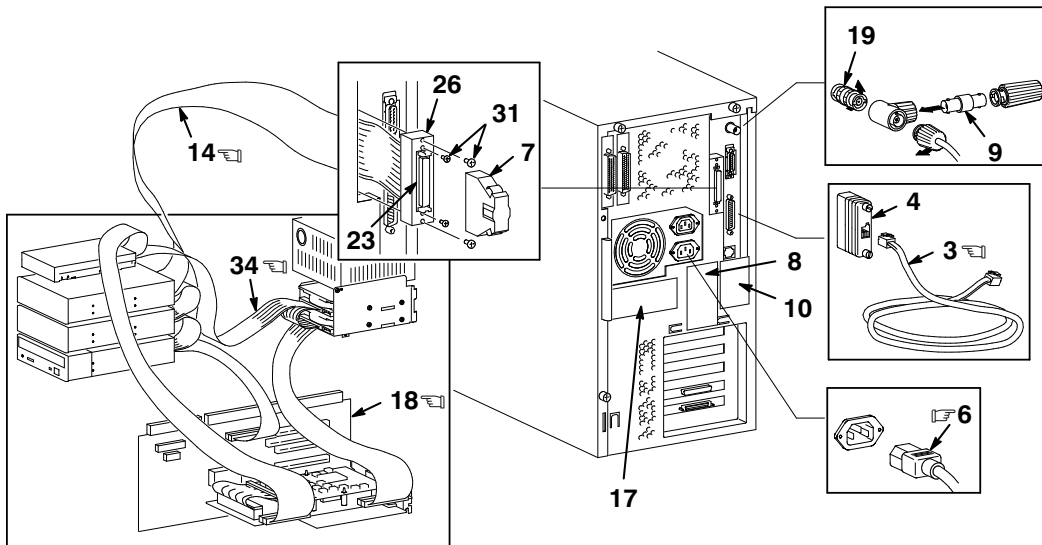


IP-49DCM-03

Figure 3. VAX 4000 Model 108 System Building Block (Sheet 3 of 4)

INDICATES FRU LEVEL PARTS.

PARTS LIST



IP-49DCM-04

Figure 3. VAX 4000 Model 108 System Building Block (Sheet 4 of 4)

| FIG. & ITEM NO. | DESCRIPTION | DIGITAL PART NO. | ECO CUT-IN 49DCM 00002 | USED ON CODE | REF FIG NO. |
|-----------------|---|------------------|------------------------|--------------|-------------|
| 3- | VAX 4000 MODEL 108 SYSTEM BUILDING BLOCK | 49DCM-A9 | | | |
| 1 | *Module, NVAX CPU, 512 KB Cache | 54-24695-01 | | | |
| 2 | *Module, SIMM Carrier | 54-24699-01 | | | |
| 3 | *Cable, Data, 6 Cond. w/MMJ On Each End (25 Ft.) | BC16E-25 | | | |
| 4 | *Adapter, 25-Pin | H8575-A | | | |
| 5 | *KIT, Thick/ThinWire ETHERNET (Not Shown) | 70-26209-01 | | | |
| | **Connector, BNC Coaxial | 12-26318-01 | | | |
| | **Tee, BNC Coaxial | 12-25869-01 | | | |
| | **Connector, D SUB, 15 Pos. | 12-22196-01 | | | |
| 6 | *Power Cord, 125V | 17-00606-10 | | | |
| 7 | *Terminator, SCSI, 50 Pos. | 12-37004-04 | | | |
| 8 | *Label, "Attention, Pre-Installed Software" | 36-28979-01 | | | |
| 9 | *Splice, BNC Coaxial | 12-09745-00 | | | |
| 10 | *Label, "Console Port Arrow" | 36-39380-02 | | | |
| 11 | *Bracket, Exchange (Qty. 4) | 74-48510-01 | | | |
| 12 | *Medallion, Front Panel | 74-48816-01 | | | |
| 13 | *Nameplate, Logo | 74-51892-01 | | | |
| 14 | *Cable, Flat Ribbon, 50 Cond. | 17-04441-01 | | | |
| 15 | *Enclosure, Mini-Tower | 70-32678-03 | | | |
| 16 | *Power Supply, 300W | 30-45274-01 | | | |
| 17 | *Label, "Regulatory" (U.K.) | 36-45536-30 | | | |
| | *Label, "Regulatory" (U.S.A.) | 36-45536-31 | | | |
| 18 | *Module, CDAL I/O | 54-24697-01 | | | |
| 19 | *Connector, BNC Coaxial Plug Adapter | 12-26802-01 | | | |
| 20 | *Button, Speed, Blank | 74-51176-01 | | | |
| 21 | *Nameplate, VAX 4000 Model 108 | 74-51893-01 | | | |
| 22 | *Package Assembly (Not Shown) | 37-01635-03 | | | |
| 23 | *Bracket, SCSI | 74-51639-01 | | | |
| 24 | *Screw, Mach SPL Hd. 6-32 x .256 (Qty. 11) | 90-11334-01 | | | |
| 25 | *Bracket, Power Supply | 74-51391-01 | | | |
| 26 | *Shield, CPU Port | 74-51353-01 | | | |
| 27 | *Bracket, Memory Support | 74-51389-01 | | | |
| 28 | *Fan, Tube Axial, 80 mm | 12-24701-35 | | | |
| 29 | *Panel, Drive Filler (3.5 Inch) | 74-51610-01 | | | |
| 30 | *Shield, FDD (3.5 Inch) | 74-51171-01 | | | |
| 31 | *Screw, Mach Pan Hd. 4-40 x .187 (Qty. 4) | 90-08032-01 | | | |
| 32 | *Standoff, PC Board (Qty. 4) | 12-30106-01 | | | |
| 33 | *Bezel Assembly | 70-33006-02 | | | |
| 34 | *Cable, 100 Cond., 30 AWG | 17-03545-01 | | | |
| 35 | *Bracket, QBUS, I/O | 74-51346-01 | | | |
| 36 | *Post Assembly, Locking (Qty. 2) | 12-18672-00 | | | |
| 37 | *Screw, Mach M3, Pan 5 mm (Qty. 8) | 90-10556-02 | | | |
| 38 | *Harness, 08 Cond., 18 AWG (Not Shown) (Required In Systems With 6 Drives) | 17-01389-01 | | | |

PART NUMBER/DESCRIPTION INDEX 

INDEX BY DIGITAL PART NUMBER
MicroVAX 3100 Models 88/98 and VAX 4000 Model 108

| PART NUMBER | DESCRIPTION | FIG.-ITEM NUMBER |
|-------------|---|------------------|
| 12-09745-00 | Splice, BNC Coaxial | 1-9, 2-9, 3-9 |
| 12-18672-00 | Post Assembly, Locking (Qty. 2) | 3-36 |
| 12-22196-01 | Connector, D SUB, 15 Pos. | 1-5, 2-5, 3-5 |
| 12-24701-35 | Fan, Tube Axial, 80 mm | 1-28, 2-28, 3-28 |
| 12-25869-01 | Tee, BNC Coaxial | 1-5, 2-5, 3-5 |
| 12-26318-01 | Connector, BNC Coaxial | 1-5, 2-5, 3-5 |
| 12-26802-01 | Connector, BNC Coaxial Plug Adapter | 1-19, 2-19, 3-19 |
| 12-30106-01 | Standoff, PC Board (Qty. 4) | 1-32, 2-32, 3-32 |
| 12-37004-04 | Terminator, SCSI, 50 Pos. | 1-7, 2-7, 3-7 |
| 17-00606-10 | Power Cord, 125V | 1-6, 2-6, 3-6 |
| 17-01389-01 | Harness, 08 Cond., 18 AWG | 1-35, 2-35, 3-38 |
| 17-03545-01 | Cable, 100 Cond., 30AWG | 3-34 |
| 17-04441-01 | Cable, Flat Ribbon, 50 Cond. | 1-14, 2-14, 3-14 |
| 30-45274-01 | Power Supply, 300W | 1-16, 2-16, 3-16 |
| 36-28979-01 | Label, "Attention, Pre-Installed Software" | 1-8, 2-8, 3-8 |
| 36-39380-02 | Label, "Console Port Arrow" | 1-10, 2-10, 3-10 |
| 36-45536-30 | Label, "Regulatory" (U.K.) | 1-17, 2-17, 3-17 |
| 36-45536-31 | Label, "Regulatory" (U.S.A.) | 1-17, 2-17, 3-17 |
| 37-01635-03 | Package Assembly (Not Shown) | 1-22, 2-22, 3-22 |
| 54-24695-01 | Module, NVAX CPU, 512 KB Cache | 2-1, 3-1 |
| 54-24695-02 | Module, NVAX CPU, 128 KB Cache | 1-1 |
| 54-24697-01 | Module, CDAL I/O | 1-18, 2-18, 3-18 |
| 54-24699-01 | Module, SIMM Carrier | 1-2, 2-2, 3-2 |
| 70-26209-01 | KIT, Thick/ThinWire ETHERNET (Not Shown) | 1-5, 2-5, 3-5 |
| 70-32678-03 | Enclosure, Mini-Tower | 1-15, 2-15, 3-15 |
| 70-33006-02 | Bezel Assembly | 1-33, 2-33, 3-33 |
| 74-48510-01 | Bracket, Exchange (Qty. 4) | 1-11, 2-11, 3-11 |
| 74-48816-01 | Medallion, Front Panel | 1-12, 2-12, 3-12 |
| 74-51171-01 | Shield, FDD (3.5 Inch) | 1-30, 2-30, 3-30 |
| 74-51176-01 | Button, Speed, Blank | 1-20, 2-20, 3-20 |
| 74-51346-01 | Bracket, QBUS, I/O | 3-35 |
| 74-51353-01 | Shield, CPU Port | 1-26, 2-26, 3-26 |
| 74-51389-01 | Bracket, Memory Support | 1-27, 2-27, 3-27 |
| 74-51391-01 | Bracket, Power Supply | 1-25, 2-25, 3-25 |
| 74-51610-01 | Panel, Drive Filler (3.5 Inch) | 1-29, 2-29, 3-29 |
| 74-51639-01 | Bracket, SCSI | 1-23, 2-23, 3-23 |
| 74-51892-01 | Nameplate, Logo | 1-13, 2-13, 3-13 |
| 74-51893-01 | Namplate, VAX 4000 Model 108 | 3-21 |
| 74-51894-01 | Namplate, MicroVAX 3100 Model 88 | 1-21 |
| 74-51895-01 | Namplate, MicroVAX 3100 Model 98 | 2-21 |
| 90-08032-01 | Screw, Mach Pan Hd. 4-40 x .187 (Qty. 4) | 1-31, 2-31, 3-31 |
| 90-10556-02 | Screw, Mach M3, Pan 5 mm (Qty. 8) | 1-34, 2-34, 3-37 |
| 90-11334-01 | Screw, Mach SPL Hd. 6-32 x .256 (Qty. 11) | 1-24, 2-24, 3-24 |
| BC16E-25 | Cable, Data, 6 Cond. w/MMJ On Each End (25 Ft.) | 1-3, 2-3, 3-3 |
| H8575-A | Adapter, 25-Pin | 1-4, 2-4, 3-4 |

INDEX BY DIGITAL PART DESCRIPTION
MicroVAX 3100 Models 88/98 and VAX 4000 Model 108

| DESCRIPTION | PART NUMBER | FIG. - ITEM NUMBER |
|---|-------------|--------------------|
| Adapter, 25-Pin | H8575-A | 1-4, 2-4, 3-4 |
| Bezel Assembly | 70-33006-02 | 1-33, 2-33, 3-33 |
| Bracket, Exchange (Qty. 4) | 74-48510-01 | 1-11, 2-11, 3-11 |
| Bracket, Memory Support | 74-51389-01 | 1-27, 2-27, 3-27 |
| Bracket, Power Supply | 74-51391-01 | 1-25, 2-25, 3-25 |
| Bracket, QBUS, I/O | 74-51346-01 | 3-35 |
| Bracket, SCSI | 74-51639-01 | 1-23, 2-23, 3-23 |
| Button, Speed, Blank | 74-51176-01 | 1-20, 2-20, 3-20 |
| Cable, 100 Cond., 30AWG | 17-03545-01 | 3-34 |
| Cable, Data, 6 Cond. w/MMJ On Each End (25 Ft.) | BC16E-25 | 1-3, 2-3, 3-3 |
| Cable, Flat Ribbon, 50 Cond. | 17-04441-01 | 1-14, 2-14, 3-14 |
| Connector, BNC Coaxial | 12-26318-01 | 1-5, 2-5, 3-5 |
| Connector, BNC Coaxial Plug Adapter | 12-26802-01 | 1-19, 2-19, 3-19 |
| Connector, D SUB, 15 Pos | 12-22196-01 | 1-5, 2-5, 3-5 |
| Enclosure, Mini-Tower | 70-32678-03 | 1-15, 2-15, 3-15 |
| Fan, Tube Axial, 80 mm | 12-24701-35 | 1-28, 2-28, 3-28 |
| Harness, 08 Cond., 18 AWG | 17-01389-01 | 1-35, 2-35, 3-38 |
| KIT, Thick/ThinWire ETHERNET (Not Shown) | 70-26209-01 | 1-5, 2-5, 3-5 |
| Label, "Attention, Pre-Installed Software" | 36-28979-01 | 1-8, 2-8, 3-8 |
| Label, "Console Port Arrow" | 36-39380-02 | 1-10, 2-10, 3-10 |
| Label, "Regulatory" (U.K.) | 36-45536-30 | 1-17, 2-17, 3-17 |
| Label, "Regulatory" (U.S.A.) | 36-45536-31 | 1-17, 2-17, 3-17 |
| Medallion, Front Panel | 74-48816-01 | 1-12, 2-12, 3-12 |
| Module, CDAL I/O | 54-24697-01 | 1-18, 2-18, 3-18 |
| Module, NVAX CPU, 128 KB Cache | 54-24695-02 | 1-1, 2-1, 3-1 |
| Module, SIMM Carrier | 54-24699-01 | 1-2, 2-2, 3-2 |
| Nameplate, Logo | 74-51892-01 | 1-13, 2-13, 3-13 |
| Namplate, MicroVAX 3100 Model 88 | 74-51894-01 | 1-21 |
| Namplate, MicroVAX 3100 Model 98 | 74-51895-01 | 2-21 |
| Nameplate, VAX 4000 Model 108 | 74-51893-01 | 3-21 |
| Package Assembly (Not Shown) | 37-01635-03 | 1-22, 2-22, 3-22 |
| Panel, Drive Filler (3.5 Inch) | 74-51610-01 | 1-29, 2-29, 3-29 |
| Post Assembly, Locking (Qty. 2) | 12-18672-00 | 3-36 |
| Power Cord, 125V | 17-00606-10 | 1-6, 2-6, 3-6 |
| Power Supply, 300W | 30-45274-01 | 1-16, 2-16, 3-16 |
| Screw, Mach M3, Pan 5 mm (Qty. 8) | 90-10556-02 | 1-34, 2-34, 3-37 |
| Screw, Mach Pan Hd. 4-40 x .187 (Qty. 4) | 90-08032-01 | 1-31, 2-31, 3-31 |
| Screw, Mach SPL Hd. 6-32 x .256 (Qty. 11) | 90-11334-01 | 1-24, 2-24, 3-24 |
| Shield, CPU Port | 74-51353-01 | 1-26, 2-26, 3-26 |
| Shield, FDD (3.5 Inch) | 74-51171-01 | 1-30, 2-30, 3-30 |
| Splice, BNC Coaxial | 12-09745-00 | 1-9, 2-9, 3-9 |
| Standoff, PC Board (Qty. 4) | 12-30106-01 | 1-32, 2-32, 3-32 |
| Tee, BNC Coaxial | 12-25869-01 | 1-5, 2-5, 3-5 |
| Terminator, SCSI, 50 Pos. | 12-37004-04 | 1-7, 2-7, 3-7 |