



FDDI Futurebus+ Adapter Installation

EK-B2006-IN.A01

September 1993

This document illustrates the installation of the FDDI Futurebus+ adapter module.

© Digital Equipment Corporation 1993. All rights reserved.

S2349

B2006

FDDI Futurebus+ Controller

B2006 Overview

Description	FDDI to Futurebus+ Profile B adapter
Voltage	+5 V
Current	(SAS) 6.3 A and (DAS) 7.0 A
Temperature	10°C (50°F)–45°C (115°F) (operational)
Relative Humidity	10%–90% (operational)
Power	6.3 A = 31.5 W and 7.0 A = 35 W

Module Order Number

B2006-AA	DEFAA-AA — One FDDI module with single attachment station (SAS) controller with multimode optics for one ANSI MIC connector (port 1)
B2006-DA	DEFAA-DA — One FDDI module with dual attachment station (DAS) controller with multimode optics for two ANSI MIC connectors.
B2006-YA	DEFAA-YA — One FDDI module with no connectors installed. Add the single-mode physical media dependent (PMD) card to this module.

Physical Media Dependent (PMD) Order Number

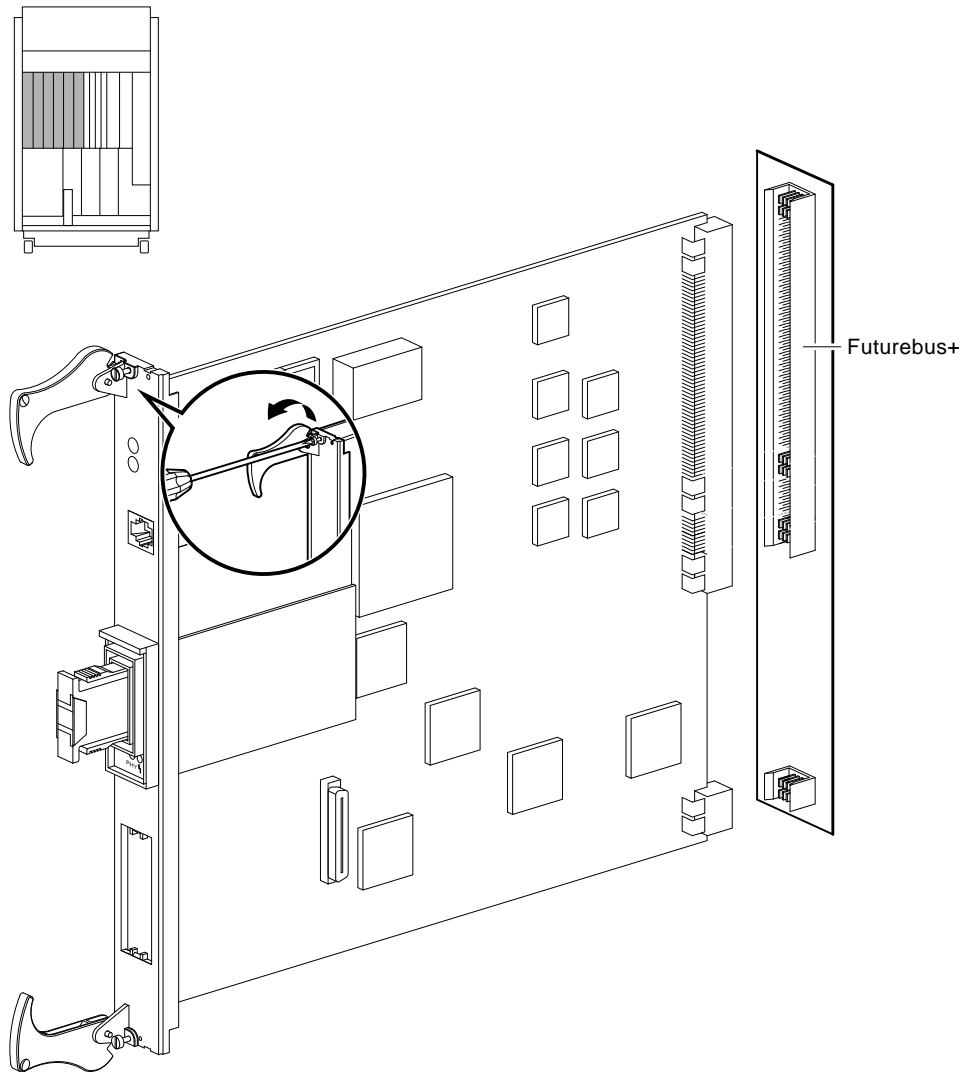
Multimode PMD card	DEFXM-AA
Single-mode PMD card	DEFXS-AA

Documentation

<i>DEC FDDI controller /Futurebus+</i>	EK-DEFAA-IN
--	-------------

B2006

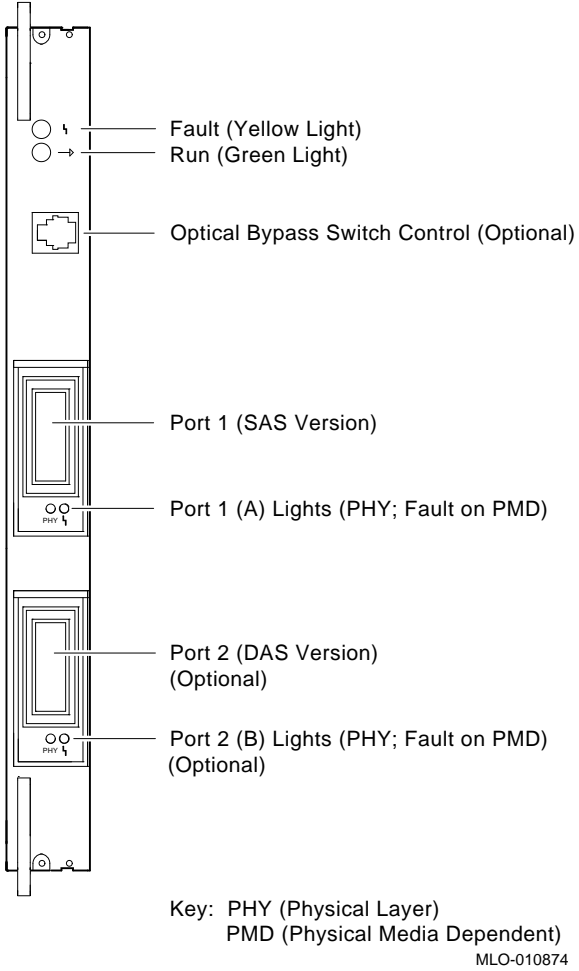
Figure 1 FDDI Futurebus+ Adapter Module



MLO-010624

B2006

Figure 2 Controller Connectors and Lights



FDDI Light Summary

Table 1 Controller Fault and Run Light Summary

Run Light Green	Fault Light Yellow	State Description	Correction
Off	Off	Power not on.	Check cable connections.
On	On	Soft reset by driver.	None
On	Off	Normal operation.	None
Off	On	A problem exists with the controller.	Rerun self-test.

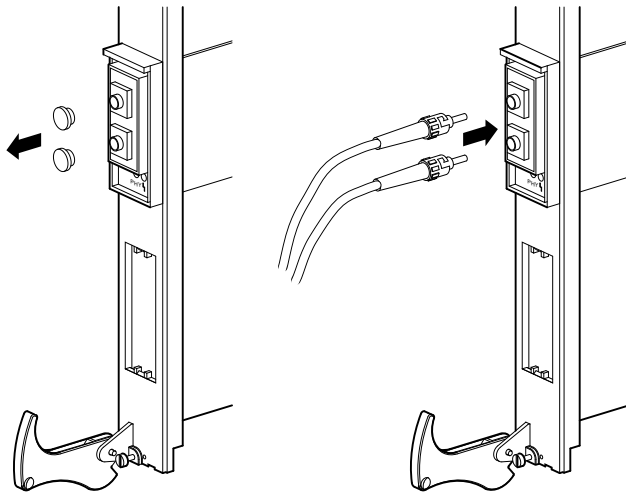
Table 2 PMD PHY Light Displays (After System Boot)

PHY Light State	State Description	Correction
Off	Port not available.	None
On (Yellow)	Broken port or LCT ¹ failure	Run self-test.
On (Green)	PMD is working properly.	None
On (Blinks Yellow)	Illegal topology.	Connection established. Cables not installed correctly.
On (Blinks Green)	Connection in progress or link available but cannot make a connection.	Wait for connection. Check cable connections. Port not being used.

¹Link Confidence Test

B2006

Figure 3 Connecting FDDI Single-Mode Cables

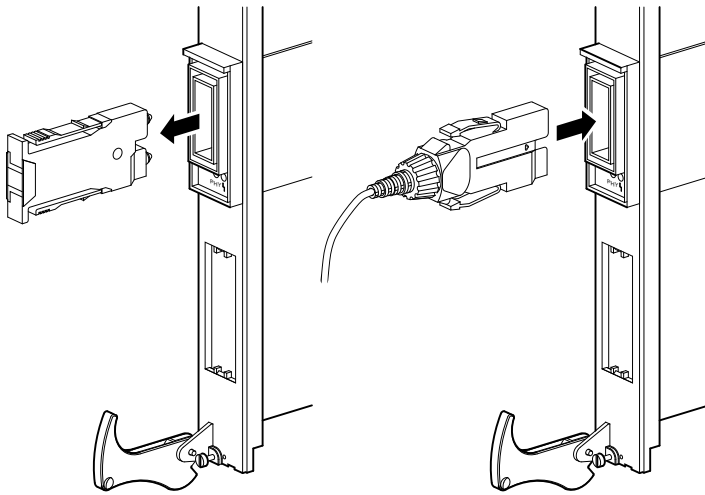


1 Unscrew and remove the two protective caps.

2 Connect the fiber optic cables.

MLO-010881

Figure 4 Connecting FDDI Multimode Cables



1 Remove protective dust cap.

2 Insert the FDDI cable.

MLO-010882