

Ferrite Bead Installation for RAID Array Subsystems

StorageWorks™

Installation Guide

The StorageWorks Command Console (Client) or the Command Line Interpreter (CLI) can be directly connected to the RAID controller. A direct serial connection to the controller can be made from a host system, maintenance terminal, or PC.

See the *Command Console (Version 1.1) User's Guide* for a detailed description of graphical user interface.

See "Command Line Interpreter" in the *CLI Reference Manual* for detailed descriptions of all CLI commands. The reference manual is included in your platform kit.

Connecting the Cable

To connect a host system, maintenance terminal or PC to a RAID Array controller follow these steps:

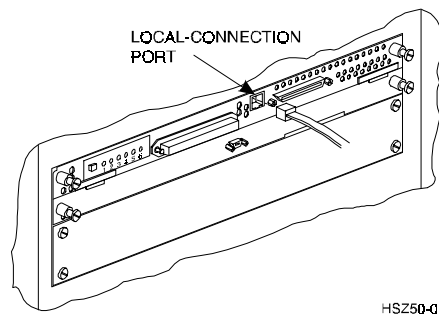
NOTE

The following is an example of how to connect a host system to a RAID Array controller.

Locate the connecting cable (part number 17-04074-01) that came with the RAID subsystem. It has an RJ12 connector (similar to standard telephone plug) on one end and a 9-pin serial connector on the other end.

1. Plug the serial connector into the 9-pin serial port or com port 1 on the host system or PC. If a 9-pin serial port is not available on a PC, use the appropriate 9-pin to 25-pin adapter in this package (PC - 12-45238-01; Sun - 12-45238-02; HP800 - 12-45238-03).
2. Plug the RJ12 connector from an Host system, PC or maintenance terminal, into the maintenance port on the RAID Array controller (see Figure 1).
3. Note which serial port you use; you will need that information if using a communications program.

Figure 1 Making a Serial Connection to the HSZ50 Controller (typical)



Installing a Ferrite Bead over the Connecting Cable

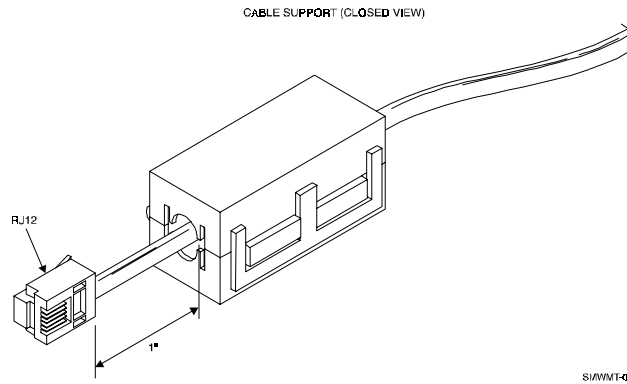
Install a ferrite bead over the cable in order to prevent possible radio frequency interference.

NOTE

The hinge on the ferrite bead housing is semi-rigid and will break if flexed multiple times. Follow the directions carefully to minimize the risk of breakage. It is not recommended that the bead be removed after installation although it is removable if the latch is pried open.

Install the ferrite bead on the cable so that it is within one inch of the front of the controller as shown in Figure 2.

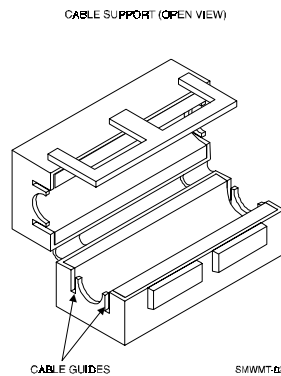
Figure 2 Ferrite Bead with Cable Installed



To install the ferrite bead, follow these steps:

1. Locate the maintenance port on the RAID Array controller
2. Place a mark on the end of the cable that connects to the maintenance port of the RAID Array controller one inch from the RJ12 connector.
3. Locate the cable guides on the bead housing (see Figure 3). Lay the communication cable in the groove.

Figure 3 Ferrite Bead (open)



4. Ensure that the end of the bead closest to the RJ12 connector is lined up with the 1" mark. Slowly close the bead housing so that the cable fits within the cable guides (top and bottom, see Figure 3).
5. Press the halves together until they snap into place. Ensure that the bead is locked on the cable.
6. The serial line is now connected.