



VAXstation 4000 Options Installation Guide Errata Sheet

EK-VAXOP-ES. A01

September 1992

Important Facts for the VAXstation 4000 Customer

This errata sheet contains important information on the following topics:

- SCSI IDs for devices on the TURBOchannel PMAZ option
- TURBOchannel support on the Model 60 and Model 90
- Video connector RFI gasket installation
- SPXgt graphics module removal

SCSI IDs for TURBOchannel PMAZ

Use SCSI ID 0, 1, 2, 3, 4 *or* 5 for your devices on the TURBOchannel PMAZ option; do not use SCSI ID 6 or 7. On the VMS operating system, SCSI ID 6 is reserved for the controller, and on the UNIX operating system, where the PMAZ option originates, SCSI ID 7 is reserved for the controller.

TURBOchannel Support

The VAXstation 4000 Model 90 fully supports both programmable I/O (such as Ethernet and SCSI) and DMA (such as FDDI) devices on the TURBOchannel Adapter.

The VAXstation 4000 Model 60 supports only programmable I/O (not DMA).

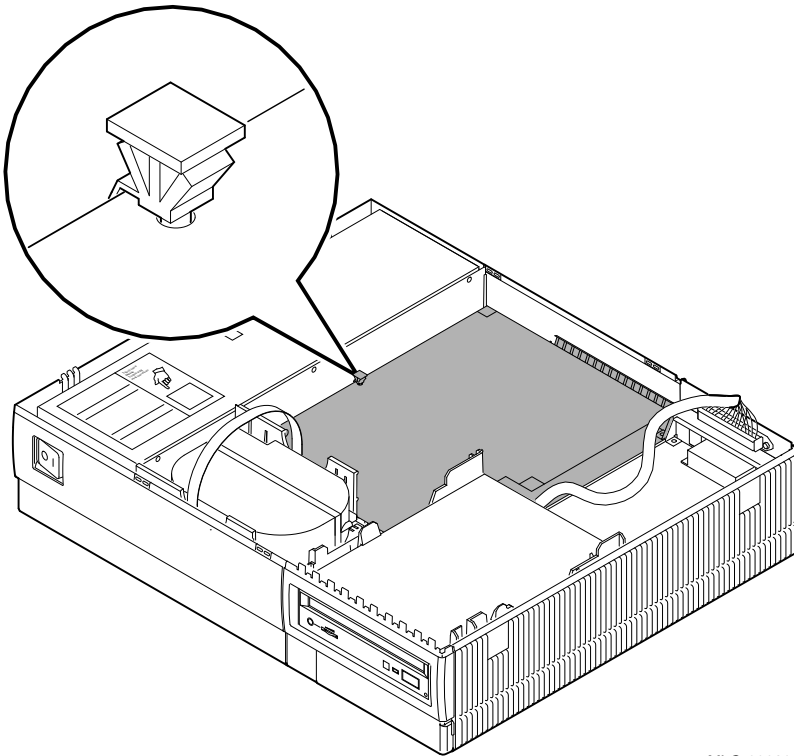
Video Connector RFI Gasket

When you install a graphics module, be sure that the RFI gasket is flush against the video connector. Your graphics module may *appear* to be installed correctly, but if the RFI gasket is not flush with the video connector, it will not meet FCC regulations.

SPXgt Graphics Module Plastic Standoff

Use the plastic standoff shown in Figure 1 as a pulling device when you lift the SPXgt frame buffer from the center connector to avoid damage caused by pulling up on the tail bracket.

Figure 1 Location of Plastic Standoff on the SPXgt Graphics Module



MLO-009801

© Digital Equipment Corporation 1992. All rights reserved.
The following are trademarks of Digital Equipment Corporation:
VAXstation, VMS, and the Digital logo.

S2101