

---

# BA200 to BA400 Series Enclosures Storage Device Conversion Procedure

Order Number: EK-DSSII-IN. B01

---

**Second Printing, September 1993**

The information in this document is subject to change without notice and should not be construed as a commitment by Digital Equipment Corporation. Digital Equipment Corporation assumes no responsibility for any errors that may appear in this document.

The software described in this document is furnished under a license and may be used or copied only in accordance with the terms of such license.

No responsibility is assumed for the use or reliability of software on equipment that is not supplied by Digital Equipment Corporation or its affiliated companies.

Restricted Rights: Use, duplication, or disclosure by the U.S. Government is subject to restrictions as set forth in subparagraph (c)(1)(ii) of the Rights in Technical Data and Computer Software clause at DFARS 252.227-7013.

© Digital Equipment Corporation 1993.

The postpaid Reader's Comments forms at the end of this document request your critical evaluation to assist in preparing future documentation.

The following are trademarks of Digital Equipment Corporation: DEC, Digital, ThinWire, VAX, VAX DOCUMENT, VMS, and the DIGITAL logo.

Velcro is a registered trademark of Velcro USA, Inc.

All other trademarks and registered trademarks are the property of their respective holders.

S2398

This document was prepared using VAX DOCUMENT, Version 2.1.

---

# Contents

<b>Preface</b> .....	v
<b>1 Removing ISEs from the BA200-Series Enclosure</b>	
1.1 Removing ISEs .....	1-1
1.2 Accessing ISEs .....	1-1
1.2.1 Removing the Front Panel .....	1-2
1.2.2 Removing the Media Faceplate .....	1-4
1.2.3 Removing the Operator Control Panel (OCP) .....	1-6
1.2.4 Removing the R215F Bottom Media Cover .....	1-8
1.2.5 Removing the RF-Series Disk Drive .....	1-10
1.2.6 Removing the TK-Series Tape Drive .....	1-14
<b>2 Installing TK-Series Options</b>	
2.1 Installing Brackets to the TK-Series Tape Drives .....	2-1
2.2 Installing the TK-Series Tape Drive .....	2-4
<b>3 Installing RF-Series Options</b>	
3.1 Installing Brackets to the 5.25-Inch RF-Series ISE .....	3-1
3.2 Installing Brackets to the 3.5-Inch RF-Series ISE .....	3-4
3.2.1 Removing the Outside Bracket .....	3-4
3.2.2 Installing the New Storage Device in the Bracket .....	3-5
3.3 Installing an RF-Series ISE in the BA400-Series Enclosure ....	3-7
3.3.1 ISE Installation .....	3-7
3.3.2 Bus Node ID Plug Installation .....	3-12

## Figures

1-1	Removing the Front Panel . . . . .	1-3
1-2	Removing the Media Faceplate . . . . .	1-5
1-3	Lowering the OCP . . . . .	1-7
1-4	Removing the R215F Bottom Media Cover . . . . .	1-9
1-5	Removing the RF-Series Drive Cabling . . . . .	1-11
1-6	Removing an RF-Series Disk Drive . . . . .	1-12
1-7	Removing the Adapter Plate from a 3.5-Inch Disk Drive . . . . .	1-13
1-8	Removing the TK-Series Drive . . . . .	1-15
2-1	Installing the Drive into the Mounting Bracket . . . . .	2-2
2-2	Installing the Power Harness to the Drive . . . . .	2-3
2-3	Power Switch Location . . . . .	2-5
2-4	Removing an ISE . . . . .	2-6
2-5	Installing the TQK-Series Controller Module and Routing the Data Cable . . . . .	2-7
2-6	Attaching the Data Cable to the TK-Series Tape Drive . . . . .	2-8
2-7	Installing a TK-Series Tape Drive . . . . .	2-9
2-8	ISEs and Tape Drive Installed . . . . .	2-11
3-1	Installing Cables and Mounting Hardware to Drive . . . . .	3-2
3-2	Installing the ISE Upper Bracket . . . . .	3-3
3-3	Removing the Top Outside Bracket from the ISE . . . . .	3-5
3-4	Installing the Phillips Screws That Secure the Storage Device to the Inside Brackets . . . . .	3-6
3-5	Power Switch Location . . . . .	3-8
3-6	BA440 Enclosure . . . . .	3-9
3-7	Installing the ISE Upgrade in the Storage Cavity . . . . .	3-11
3-8	Installing the Bus Node ID Plug . . . . .	3-13

---

## Preface

This manual describes how to install new ISE brackets to the TK-series and RF-series storage options that are used on the BA200-series enclosures. These brackets will allow the storage options to be used in the BA400 enclosures.

The intended audience for this manual is either a field service engineer or qualified self-maintenance person who will be removing the ISEs from the BA213/215 enclosures and installing them into the BA400 enclosures.

This manual contains three chapters:

- Chapter 1 describes how to remove the TK-series and RF-series Integrated Storage Element (ISEs) from the BA200-series enclosure.
- Chapter 2 describes how to install the brackets to the TK-series options, and install the TK-series options into the BA400 enclosures.
- Chapter 3 describes how to install the brackets to the RF-series options, and install the RF-series options into the BA400 enclosures.

## Conventions

The following conventions are used in this manual.

Convention	Meaning
<b>Note</b>	Provides general information about the current topic.
<b>Caution</b>	Provides information to prevent damage to equipment or software.
<b>P/N</b>	Part Number.



---

# Removing ISEs from the BA200-Series Enclosure

## 1.1 Removing ISEs

This chapter describes how to remove the TK-series and 5.25-inch form factor RF-series Integrated Storage Elements (ISEs) from the BA200-series enclosure.

---

### Note

This chapter depicts the BA215 enclosure for most of the removal procedures. Duplicating the same basic illustrations for the BA213 enclosure is unnecessary as the removal procedure is the same for both enclosures. Procedures unique to the BA213 are depicted.

---

## 1.2 Accessing ISEs

Before you can remove ISEs from the BA200-series enclosure, you must:

- Remove the front panel.
- Remove the media faceplate covering the mass storage area.
- Remove the OCP (Operator Control Panel).
- Remove the bottom media cover (R215F only).

---

### Note

If the DSSI bus is connected to another DSSI expander or is part of a dual-host system, all enclosures connected to that DSSI bus must be turned off.

---

## Removing ISEs from the BA200-Series Enclosure

### 1.2 Accessing ISEs

#### 1.2.1 Removing the Front Panel

You must remove the front panel before removing any ISEs.

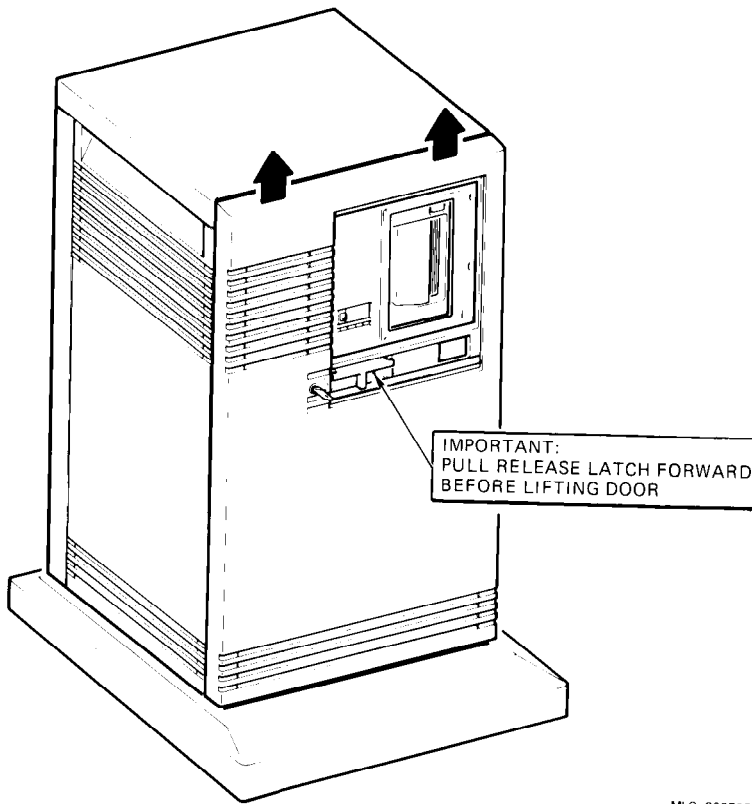
Remove the front panel as follows:

1. To reach the Power switch, turn the universal key in the front panel lock to the bottom position and lower the grey window.
2. Set the Power switch to off (0) and unplug the ac power cord from the wall outlet.
3. Pull the release latch toward you, but do not attempt to remove it (Figure 1-1).
4. Using the release latch as a handle, lift the front panel off (Figure 1-1).



## Removing ISEs from the BA200-Series Enclosure 1.2 Accessing ISEs

Figure 1-1 Removing the Front Panel



ML0-000787

## Removing ISEs from the BA200-Series Enclosure

### 1.2 Accessing ISEs

#### 1.2.2 Removing the Media Faceplate

You must remove the media faceplate before you can remove either a disk drive, or a tape drive.

Remove the media faceplate as follows:

---

**Caution**

---

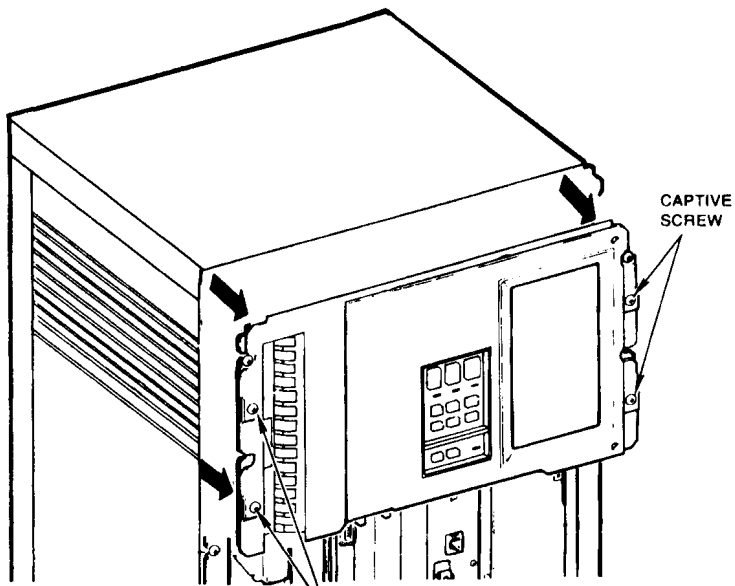
Static electricity can damage integrated circuits. Always use the antistatic wrist strap and antistatic pad found in the static-protective field service kit (P/N 29-26246-00) when working with the internal parts of the computer system.

---

1. Remove the front panel, using the procedure in Section 1.2.1.
2. Put on the grounded wrist strap included in the antistatic kit (P/N 29-26246-00), and attach the alligator clip to the BA200 frame.
3. If installed, you must remove the DSSI expansion cable (BC21M) from the external device connector. If the DSSI bus is connected to another DSSI expander or is part of a dual-host system, all enclosures connected to that DSSI bus must be turned off.
4. Loosen the captive screws that hold the media faceplate to the BA215 frame (see Figure 1-2A) or the BA213 frame (see Figure 1-2B) and remove the faceplate.

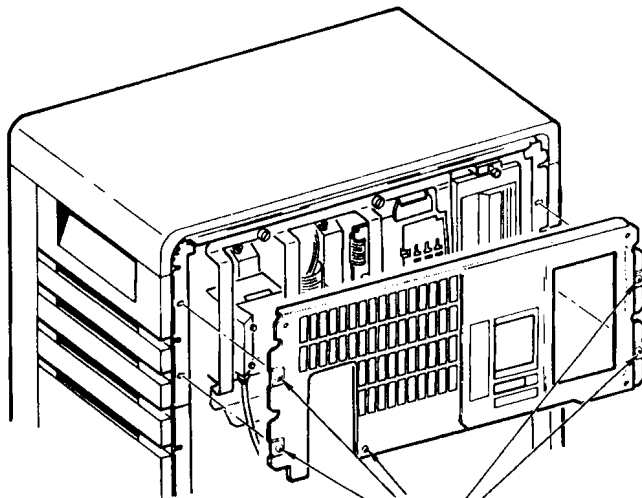
## Removing ISEs from the BA200-Series Enclosure 1.2 Accessing ISEs

Figure 1-2 Removing the Media Faceplate



A. BA215

CAPTIVE  
SCREW



B. BA213

MicroVAX HOST

MLO-010978

## Removing ISEs from the BA200-Series Enclosure

### 1.2 Accessing ISEs

#### 1.2.3 Removing the Operator Control Panel (OCP)

The BA200 enclosure mass storage area contains an operator control panel (OCP) for DSSI mass storage devices.

Remove the OCP from the enclosure as follows:

---

#### Caution

---

Static electricity can damage integrated circuits. Always use the antistatic wrist strap and antistatic pad found in the static-protective field service kit (P/N 29-26246-00) when working with the internal parts of the computer system.

---

1. Remove the media faceplate, using the procedure in Section 1.2.2.
2. Loosen the straight-slotted captive screw that holds the top of the operator control panel (OCP) to the BA215 frame (Figure 1-3). (Note: The BA213 OCP will have two screws.)
3. The OCP is held onto the bottom of the BA200 frame by tabs that fit into slots on the frame. Lower the OCP, allowing the OCP to rest on its tabs (Figure 1-3).
4. Disconnect all cables from the OCP.

---

#### Note

---

Make sure you label all cables in case the OCP has to be reinstalled. (For example, if only some of the disks are being transported.)

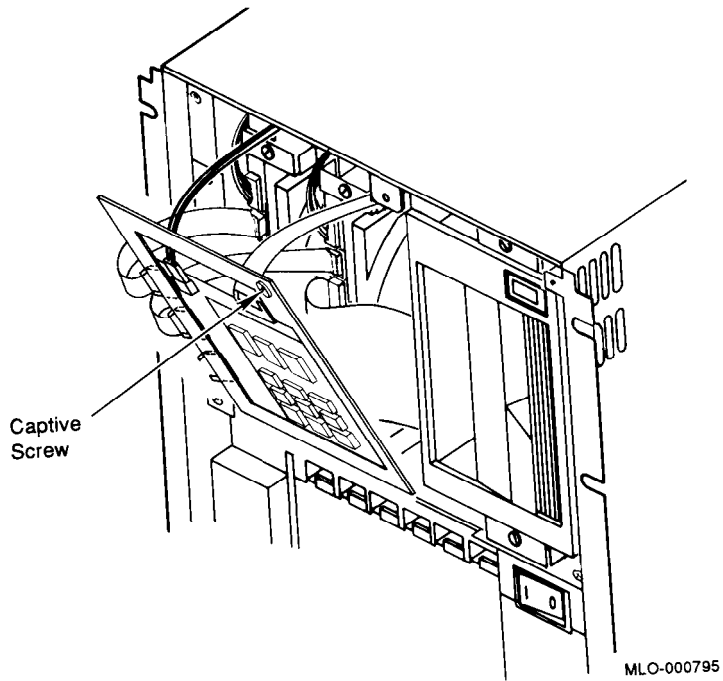
---

For BA213 enclosures, the 50-pin DSSI ribbon cable must also be disconnected from OCP assembly before the OCP can be removed. Pull out the black plastic stud located behind the external DSSI port on the upper left portion of the panel. This action releases the external DSSI connector and the internal DSSI cable.

5. Lift the OCP from the slots on the BA200 frame and remove.

## Removing ISEs from the BA200-Series Enclosure 1.2 Accessing ISEs

Figure 1-3 Lowering the OCP



## Removing ISEs from the BA200-Series Enclosure

### 1.2 Accessing ISEs

#### 1.2.4 Removing the R215F Bottom Media Cover

Remove the bottom media cover as follows:

---

**Caution**

---

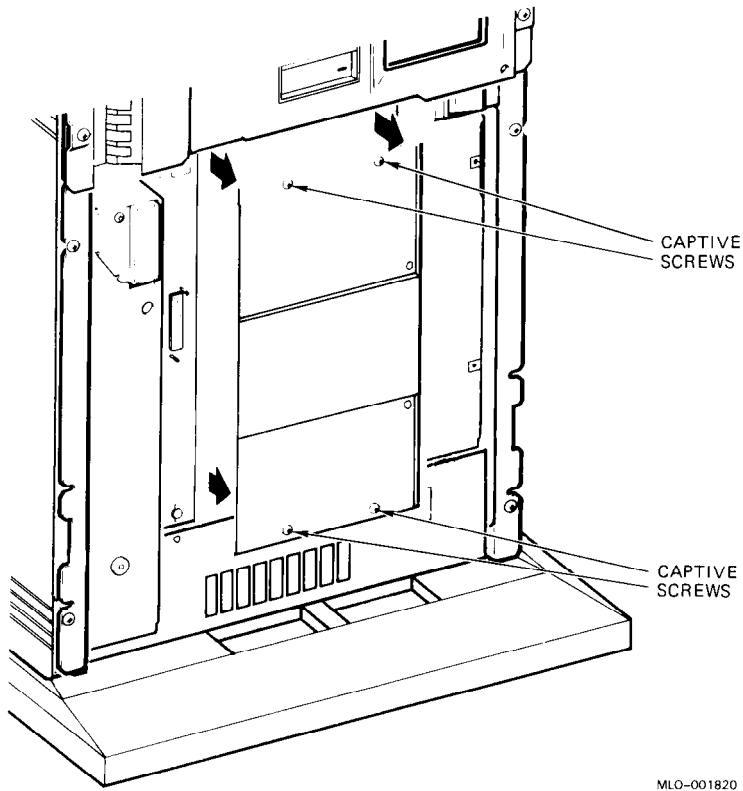
Static electricity can damage integrated circuits. Always use the antistatic wrist strap and antistatic pad found in the static-protective field service kit (P/N 29-26246-00) when working with the internal parts of the computer system.

---

1. Remove the front panel, using the procedure in Section 1.2.1
2. Loosen the four quarter-turn Phillips captive screws that hold the bottom media cover to the R215F frame (Figure 1-4), and remove the cover.

## Removing ISEs from the BA200-Series Enclosure 1.2 Accessing ISEs

Figure 1-4 Removing the R215F Bottom Media Cover



MLO-001820

## Removing ISEs from the BA200-Series Enclosure

### 1.2 Accessing ISEs

#### 1.2.5 Removing the RF-Series Disk Drive

Remove an RF-series fixed-disk drive from the BA200 mass storage area as follows:

---

**Caution**

---

Static electricity can damage integrated circuits. Always use the antistatic wrist strap and antistatic pad found in the static-protective field service kit (P/N 29-26246-00) when working with the internal parts of the computer system.

Handle any fixed-disk drive with care; dropping or bumping the drive can damage the disk surface.

---

1. Remove the media faceplate, using the procedure in Section 1.2.2.
2. Remove the OCP, using the procedure in Section 1.2.3.
3. Remove bottom media cover (R215F only), using the procedure in Section 1.2.4.
4. Disconnect the following cables from the fixed-disk drives that will be removed (Figure 1-5):
  - Power supply cable; 5-pin connector. Refer to (Figure 1-5A).
  - Signal cable; 10-pin connector. Refer to (Figure 1-5B).

---

**Note**

---

On 3.5-inch devices, unplug the 10-pin signal cable from the OCP, rather than from the drive. The drive connection is at the rear of the enclosure and is not accessible until the drive is removed.

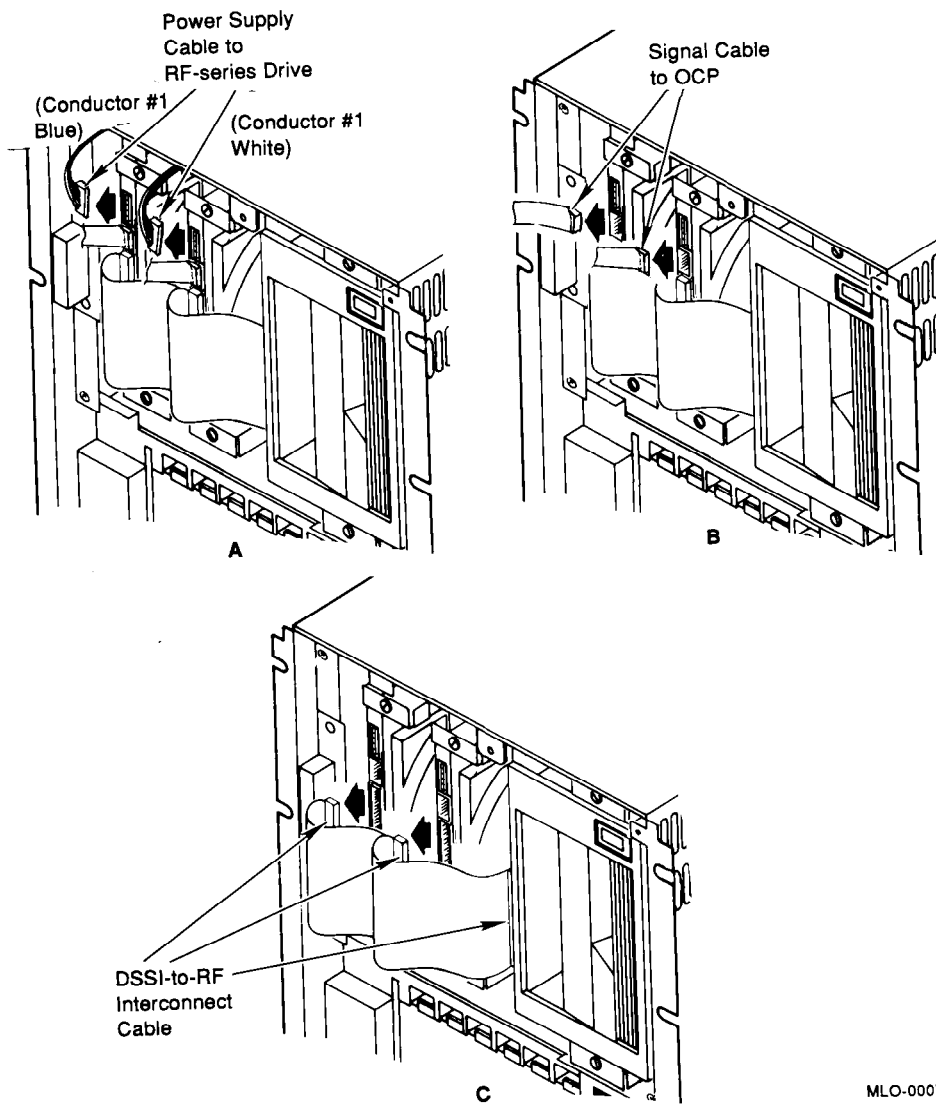
---

- DSSI-to-RF interconnect cable; 50-pin flat multi-connector (Refer to Figure 1-5C). For BA215 only, first disconnect this cable from the center chassis support plug, then from the fixed disk drive.



## Removing ISEs from the BA200-Series Enclosure 1.2 Accessing ISEs

Figure 1-5 Removing the RF-Series Drive Cabling

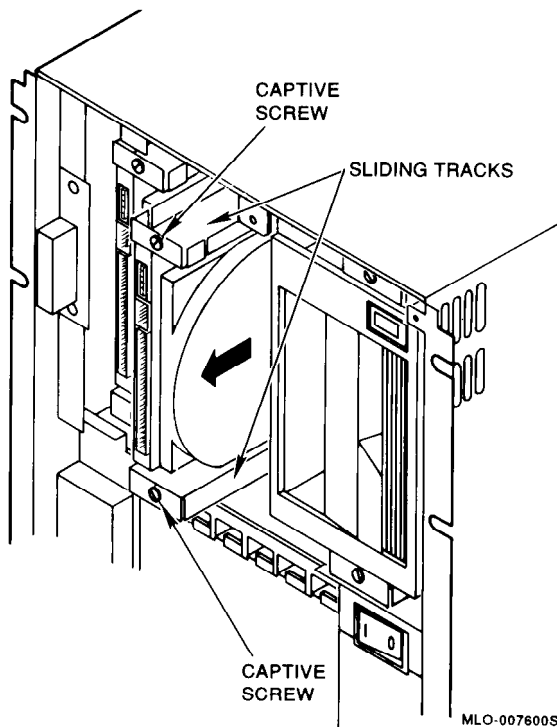


## Removing ISEs from the BA200-Series Enclosure

### 1.2 Accessing ISEs

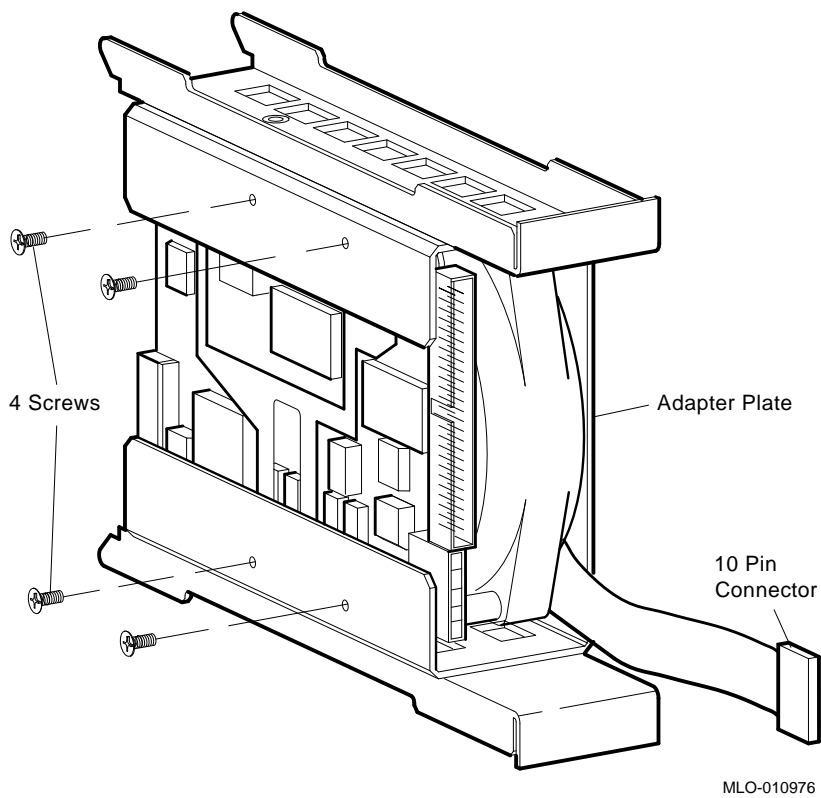
5. Release the RF-series drive from the shock-resistant supports by loosening the captive screws above and below the drive (Figure 1-6).
6. Slide the drive out of the BA200 mass storage area (Figure 1-6).
7. For 5.25-inch devices, remove sliding tracks by removing the two Phillips flat head screws on each track.
8. For 3.5-inch devices, remove the drive from the adapter plate by removing the four screws, and remove the 10-pin OCP cable (Figure 1-7).

Figure 1-6 Removing an RF-Series Disk Drive



## Removing ISEs from the BA200-Series Enclosure 1.2 Accessing ISEs

Figure 1-7 Removing the Adapter Plate from a 3.5-Inch Disk Drive



## Removing ISEs from the BA200-Series Enclosure

### 1.2 Accessing ISEs

#### 1.2.6 Removing the TK-Series Tape Drive

Remove a TK-series drive from the BA200 mass storage area as follows:

---

**Caution**

---

Static electricity can damage integrated circuits. Always use the antistatic wrist strap and antistatic pad found in the static-protective field service kit (P/N 29-26246-00) when working with the internal parts of the computer system.

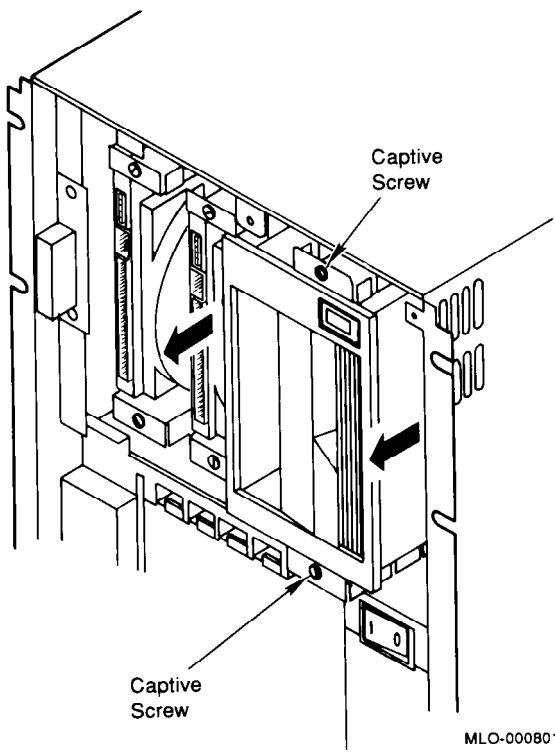
Always remove a TK-series tape cartridge before you turn off the system. Never put your hands or other objects into the cartridge opening.

---

1. Remove the media faceplate, using the procedure in Section 1.2.2.
2. Release the TK-series drive from its shock-resistant supports by loosening the captive screws above and below the drive (Figure 1-8).
3. Pull the drive out only enough to be able to reach the data and power cables at the rear of the drive, and disconnect these cables.
4. Slide the drive out of the BA200 mass storage area.
5. Remove sliding tracks by removing the two Phillips flat head screws.
6. Carefully remove the TQK50/70 controller and the TK data cable (P/N 17-01363-01) from BA200 enclosure for use in BA400 enclosure. Place the TQK on an antistatic mat (part of antistatic kit P/N 29-26246-00) until it can be installed into a BA400 enclosure.

## Removing ISEs from the BA200-Series Enclosure 1.2 Accessing ISEs

Figure 1-8 Removing the TK-Series Drive





---

## Installing TK-Series Options

This chapter describes how to install the brackets to the TK-series options and how to reinstall the option into the BA4xx enclosure.

---

**Note**

---

This chapter depicts the BA440 enclosure for the installation procedures. Duplicating the same basic illustrations for the BA430 enclosure is unnecessary as the installation procedure is the same for both enclosures.

---

### 2.1 Installing Brackets to the TK-Series Tape Drives

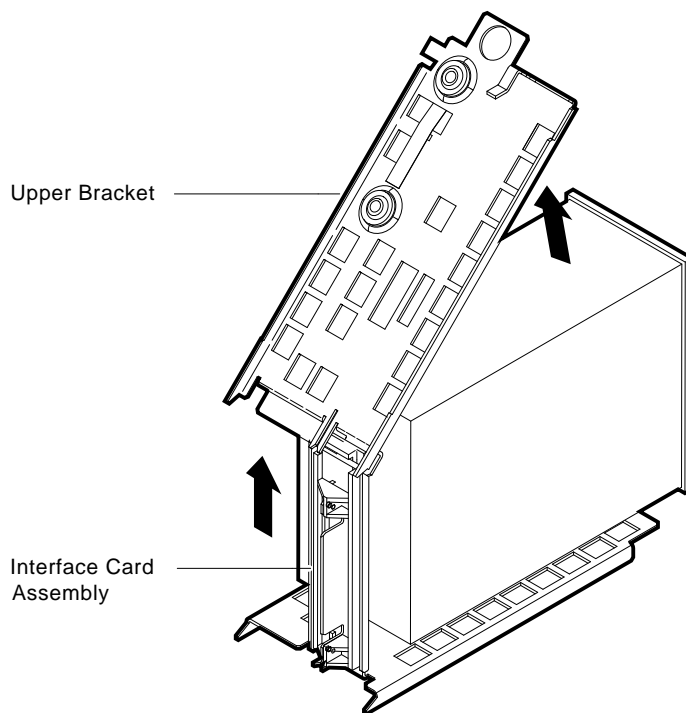
The TK-series bracket is supplied with ferrules (P/N 12-32626-03), grommets (P/N 12-32626-04), screws (P/N 90-06025-02), and a front panel (P/N 70-27050-02). The screws are provided in the accessories bag.

1. Install BA400-series mounting brackets to the TK-series tape drive (Figure 2-1).

## Installing TK-Series Options

### 2.1 Installing Brackets to the TK-Series Tape Drives

Figure 2-1 Installing the Drive into the Mounting Bracket



MLO-005800

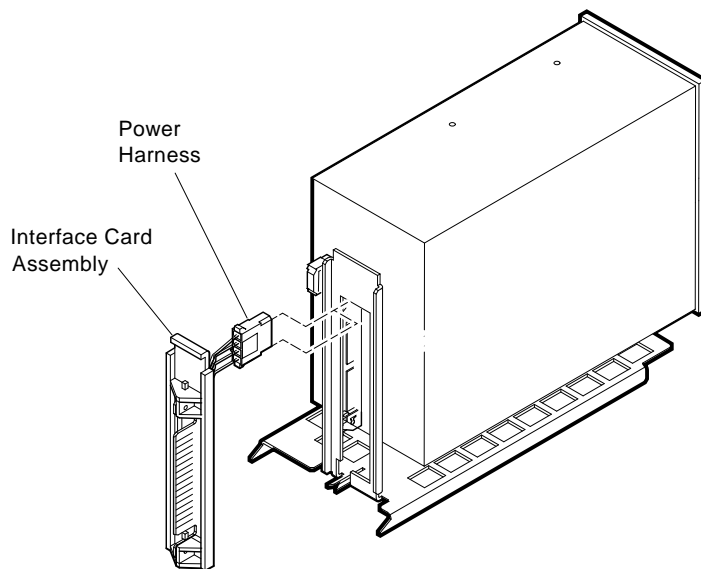
2. Attach interface card assembly power harness to the TK-series tape drive, making sure not to pinch the harness (Figure 2-2).



## Installing TK-Series Options

### 2.1 Installing Brackets to the TK-Series Tape Drives

Figure 2-2 Installing the Power Harness to the Drive



MLO-007190

3. **Top Bracket:** Attach one screw (12 in/lbs torque) through the ferrule and then through the ground strap at the front of the top bracket, and then into the mating hole on the tape drive. Attach the remaining screw through the ferrule at the rear of the bracket.

---

**Note**

---

Flared end of ferrule must always face away from drive.

---

4. Carefully turn the assembly over and repeat step 3 for the bottom bracket.

## Installing TK-Series Options

### 2.2 Installing the TK-Series Tape Drive

## 2.2 Installing the TK-Series Tape Drive

---

#### Note

---

If integrated storage devices (ISEs) are installed in any mass storage slots, you must remove those devices to route the TK-series module data cable.

If no storage devices are installed, the blank front panels covering the storage slots must be removed.

---

---

#### Caution

---

Static electricity can damage integrated circuits. Always use the antistatic wrist strap and antistatic pad found in the static-protective field service kit (P/N 29-26246-00) when working with the internal parts of the computer system.

Handle ISEs with care. Dropping or bumping the ISE can damage the disk surface. Carry or hold the ISE by the underside of the lower metal bracket to avoid damage to the drive module.

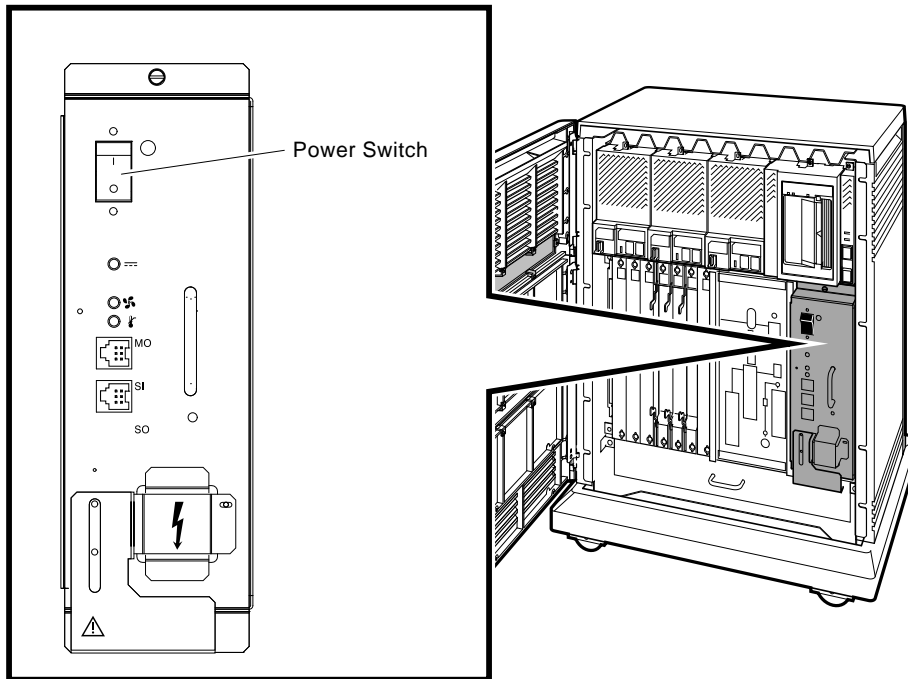
---

1. After the system manager shuts down the operating system, open the enclosure door and set the Power switch to off (0) (Figure 2-3).
2. Loosen the single captive Phillips screws (at the top) that secure the blank ISE panel (P/N 70-27049-01) (not depicted) and filler panel (P/N 70-27414-01) in mass storage slot 0. Slot 0 is the right-most mass storage cavity in the top row of the enclosure. Remove both blank panels.

## Installing TK-Series Options

### 2.2 Installing the TK-Series Tape Drive

Figure 2-3 Power Switch Location



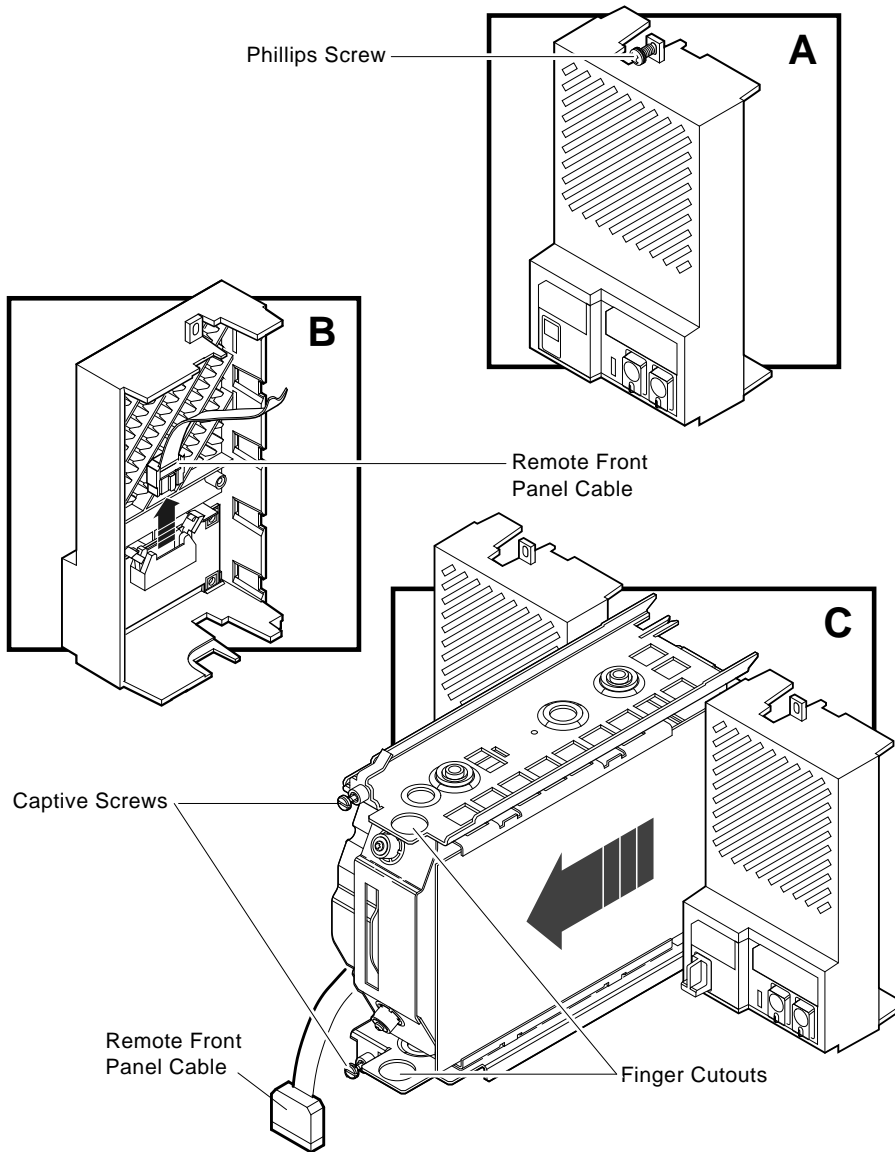
MLO-006627

3. Loosen the single captive Phillips screw (at the top) that secures an ISE (or blank) front panel (Figure 2-4A).
4. Separate the ISE front panel from the enclosure, taking care not to strain the remote front panel cable which is connected to the ISE front panel.
5. Unplug the remote front panel cable from the module inside the ISE front panel (Figure 2-4B) and set the panel aside.
6. Label the ISE with the ID number of the front panel that was removed. This front panel must be re-installed with the ISE from which it had been removed so that the unit number (specified by the bus node ID plug) is not changed.

## Installing TK-Series Options

### 2.2 Installing the TK-Series Tape Drive

Figure 2-4 Removing an ISE



MLO-004210

## Installing TK-Series Options

### 2.2 Installing the TK-Series Tape Drive

7. Loosen the upper and lower captive screws that hold the ISE in place (Figure 2-4C).
8. Using the upper and lower finger cutouts on the ISE brackets, carefully pull the ISE out of its backplane connector and slide the drive out of the enclosure. Support the weight of the ISE at the underside of the lower bracket as the ISE clears the enclosure (Figure 2-4C).

---

#### Caution

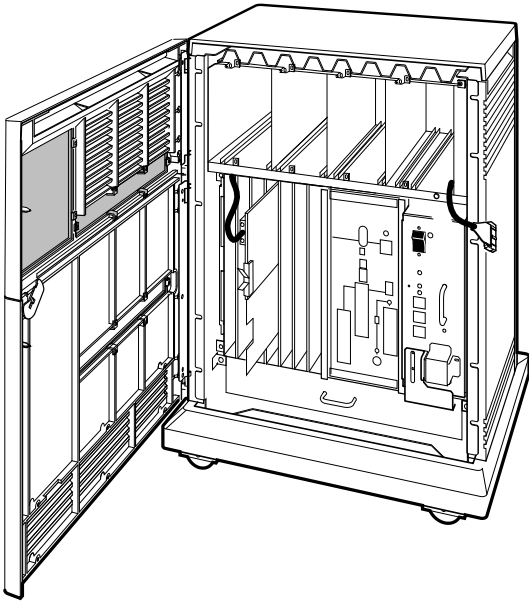
---

Do not touch the drive module. The drive module contains sensitive electronic circuitry.

---

9. Install the TQK-series controller module in the first available Q-bus slot (Figure 2-5).

**Figure 2-5 Installing the TQK-Series Controller Module and Routing the Data Cable**



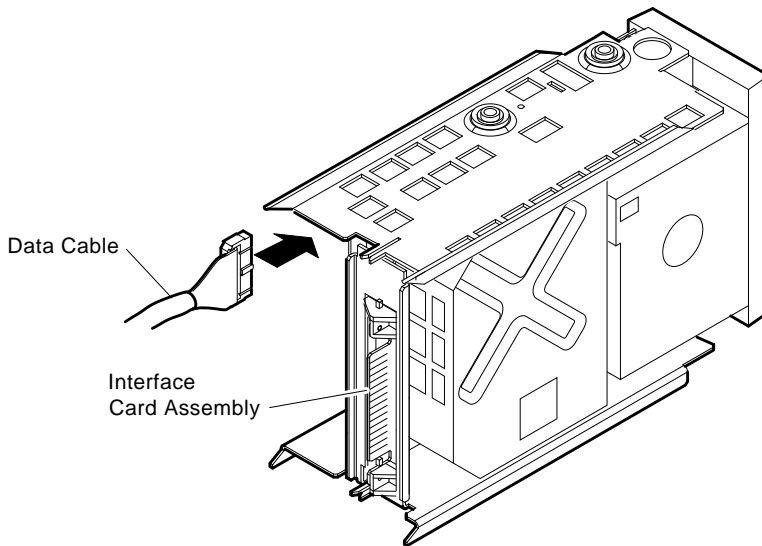
MLO-006530

## Installing TK-Series Options

### 2.2 Installing the TK-Series Tape Drive

10. Connect the TQK-series data cable (TK50/TK70: P/N 17-01363-01) to the TQK50/70 module. Route the cable up through the card cage and along the front of the hollow cavity between the card cage area and mass storage cavity to slot 0 of the mass storage cavity. Route the cable to the back of slot 0, out of the hollow cavity, and then to the front of slot 0 (Figure 2-5). Dress the cable so that it does not interfere with air flow or the re-installation of ISEs.
11. Grasp the TQK data cable located in mass storage slot 0, and connect it to the rear of the TK-series tape drive (Figure 2-6).
12. With the TK-series tape drive upright (LEDs at the top), slide the drive along the guide rails (Figure 2-7A) into mass storage slot 0. Tape drives install only into mass storage slot 0.
13. Using the upper and lower finger cutouts on the drive brackets, (Figure 2-7A) firmly push the drive brackets until the interface card at the rear of the drive plugs into its backplane connector. Be careful not to pinch the cable when inserting the drive.

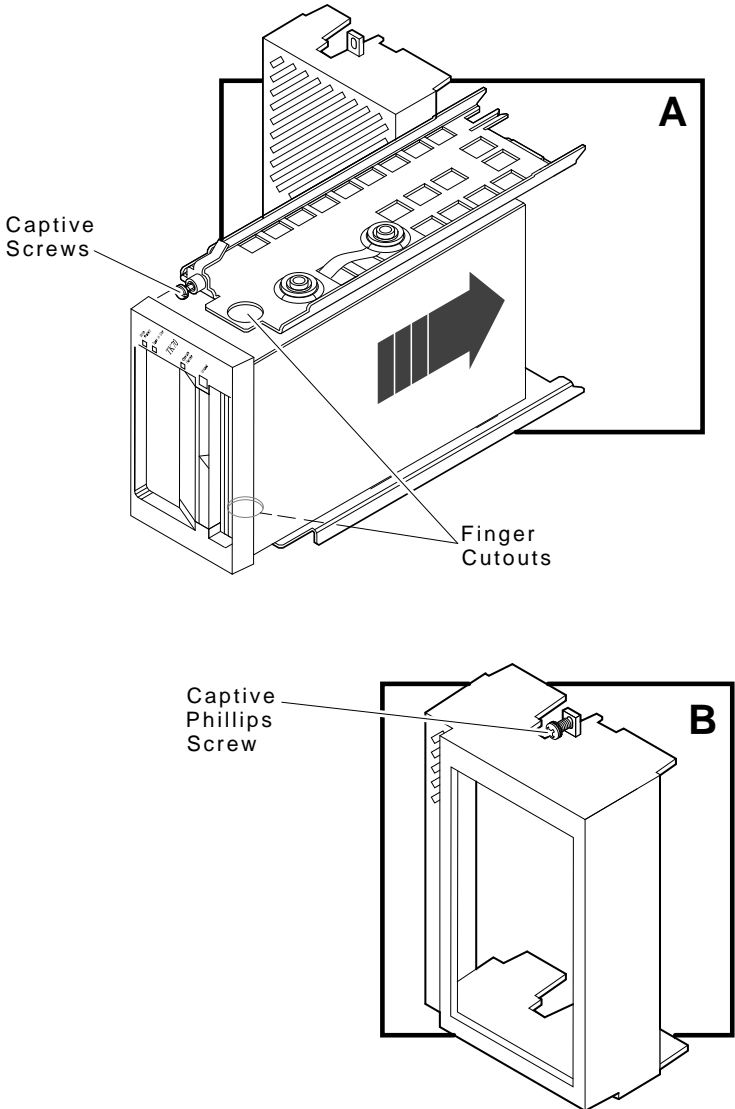
**Figure 2-6 Attaching the Data Cable to the TK-Series Tape Drive**



MLO-006529

## Installing TK-Series Options 2.2 Installing the TK-Series Tape Drive

Figure 2-7 Installing a TK-Series Tape Drive



MLO-006534

## Installing TK-Series Options

### 2.2 Installing the TK-Series Tape Drive

14. Tighten the two captive screws (Figure 2-7A).

---

**Caution**

---

It is normal for there to be a small gap between the drive mounting bracket tabs and the enclosure frame. Tighten the captive screws only until they are securely fastened (9 in/lbs torque). Do not try to force the tabs to fit flush against the frame.

---

15. Attach the drive front panel to the enclosure by first fitting the panel's lower tabs into position. Secure the panel with its single captive Phillips screw (Figure 2-7B).
16. Reinstall ISEs and bezels in mass storage slots 1, 2, and 3 by reversing steps 1 through 8.

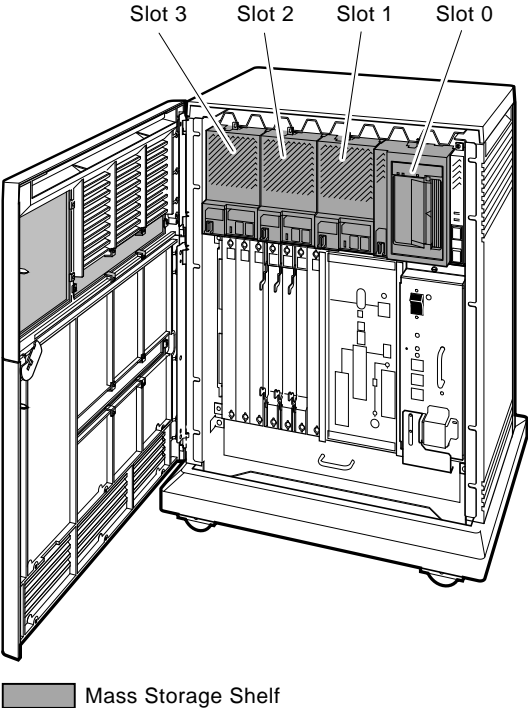
The ISEs and tape drive are shown installed in Figure 2-8.



# Installing TK-Series Options

## 2.2 Installing the TK-Series Tape Drive

Figure 2-8 ISEs and Tape Drive Installed



MLO-006528



# 3

---

## Installing RF-Series Options

This chapter describes how to install the brackets to both 5.25-inch and 3.5-inch form factor RF-series options and reinstall the option into the BA400 enclosure.

---

### Note

This chapter depicts the BA440 enclosure for the installation procedures. Duplicating the same basic illustrations for the BA430 enclosure is unnecessary as the installation procedure is the same for both enclosures.

---

### Caution

Static electricity can damage integrated circuits. Always use the antistatic wrist strap and antistatic pad found in the static-protective field service kit (P/N 29-26246-00) when working with the internal parts of a computer system.

Handle ISEs with care. Dropping or bumping the ISE can damage the disk surface.

### 3.1 Installing Brackets to the 5.25-Inch RF-Series ISE

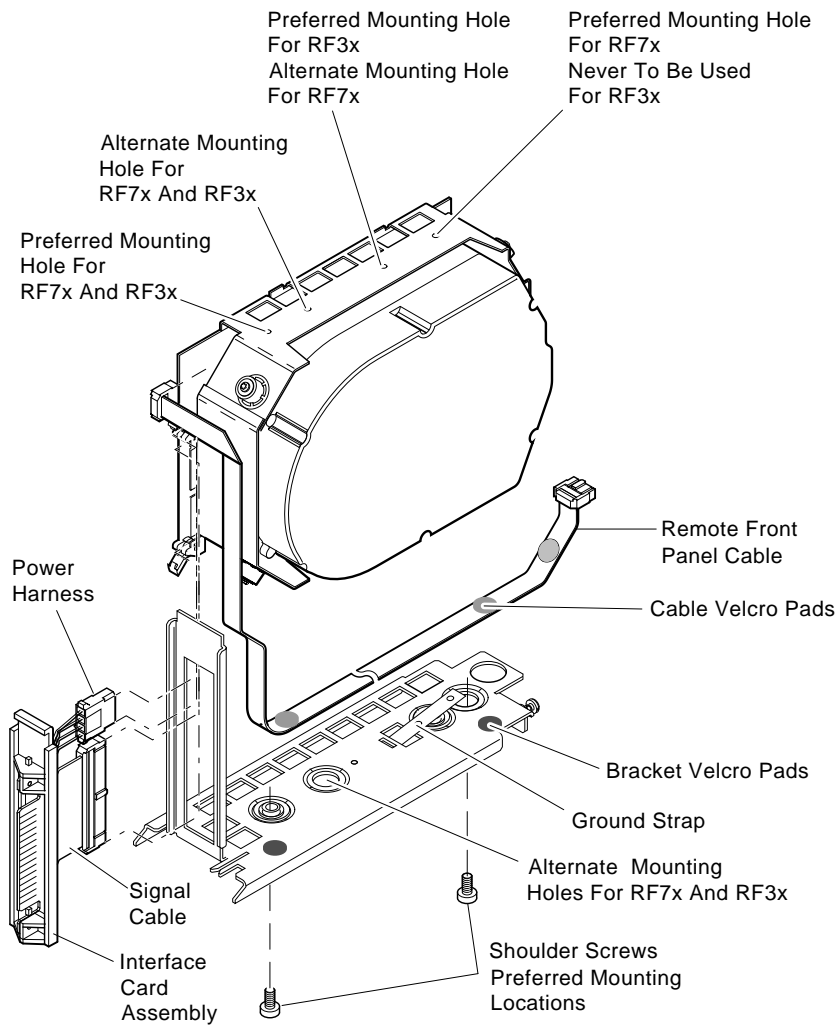
The RF-series bracket is supplied with grommets (P/N 12-32626-04), screws (P/N 12-34462-01), a front panel (P/N 70-27049-04), and a 10-conductor cable (P/N 17-02706-01). The cable is supplied in a plastic bag.

1. Install remote front panel cable to the bottom bracket using the Velcro pads (Figure 3–1). Note that the two pads line up with pads on the bottom bracket; the third pad goes toward the front of the bracket.

## Installing RF-Series Options

### 3.1 Installing Brackets to the 5.25-Inch RF-Series ISE

Figure 3-1 Installing Cables and Mounting Hardware to Drive



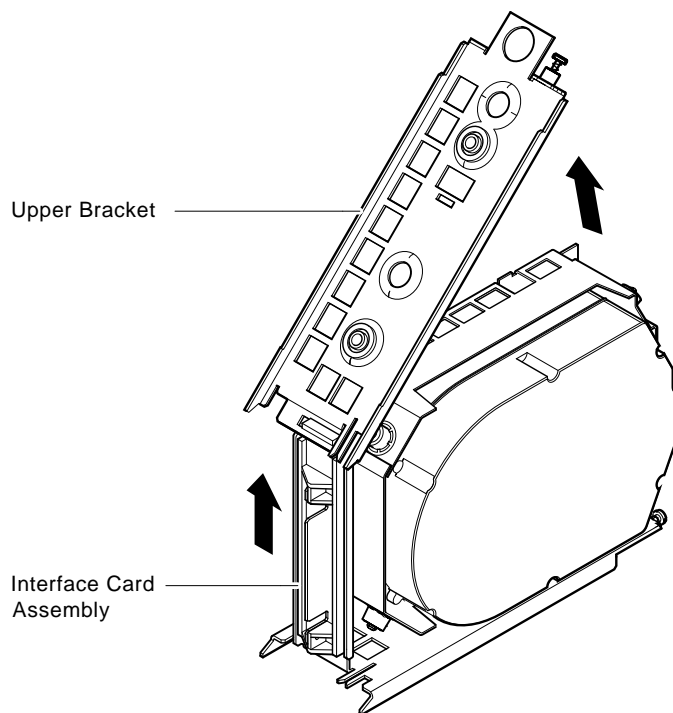
MLO-007191

## Installing RF-Series Options

### 3.1 Installing Brackets to the 5.25-Inch RF-Series ISE

2. Verify mounting locations as specified in Figure 3-1. The drive brackets should be supplied, configured with hardware in preferred mounting locations.
3. Install drive into the bracket (Figure 3-2), being careful not to pinch the remote front panel cable.
4. Attach interface card assembly signal cable making sure not to pinch the cable (Figure 3-1).

**Figure 3-2 Installing the ISE Upper Bracket**



MLO-004214

## Installing RF-Series Options

### 3.1 Installing Brackets to the 5.25-Inch RF-Series ISE

5. Attach interface card assembly power harness making sure not to pinch the harness (Figure 3-1).
6. Feed front panel cable between the HDA and bracket as shown in Figure 3-1, making sure the cable is not pinched in any way, and attach it to the drive.
7. Install two screws (12 in/lbs torque) already in rubber grommets into the mating holes in the disk (Figure 3-1).
8. Carefully turn assembly over and repeat step 3 for the bottom bracket. The screw at the front of the bottom bracket must be installed through the ground strap and then into the mating hole on the disk.

### 3.2 Installing Brackets to the 3.5-Inch RF-Series ISE

Brackets are assembled when you receive them, and will require some disassembly. Note how they are configured before taking them apart.

---

**Note**

---

Two 3.5-inch devices may be installed in *each* bracket; however, if only one device is to be installed, place it in the *lefthand* mounting position as viewed from the front of the ISE.

---

#### 3.2.1 Removing the Outside Bracket

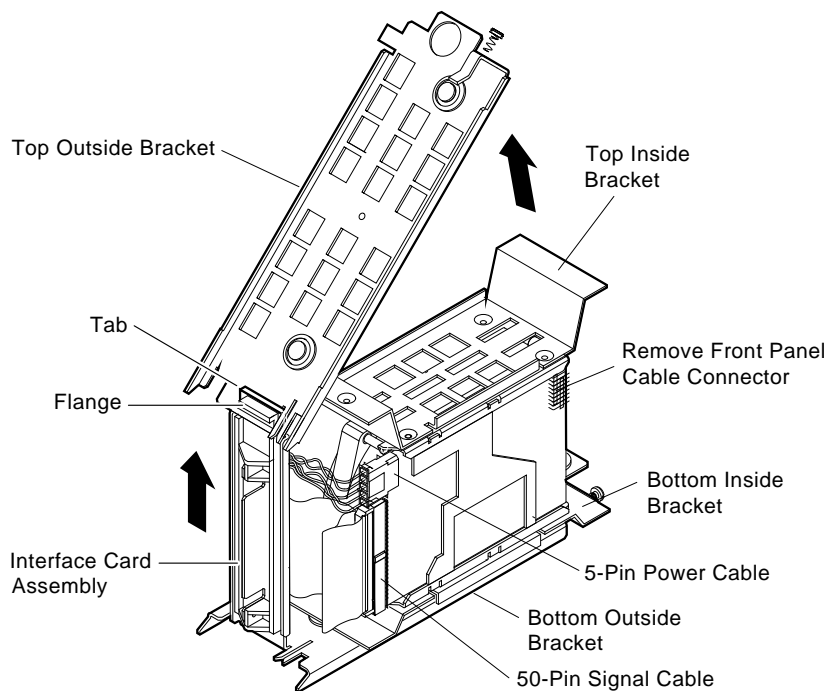
Complete the following steps to remove the top outside bracket from the ISE:

1. Remove the two screws that secure the top outside bracket and put the bracket and screws aside (Figure 3-3).
2. Remove the two screws that secure the bottom outside bracket and set the bracket and screws aside.

## Installing RF-Series Options

### 3.2 Installing Brackets to the 3.5-Inch RF-Series ISE

Figure 3-3 Removing the Top Outside Bracket from the ISE



MLO-010977

#### 3.2.2 Installing the New Storage Device in the Bracket

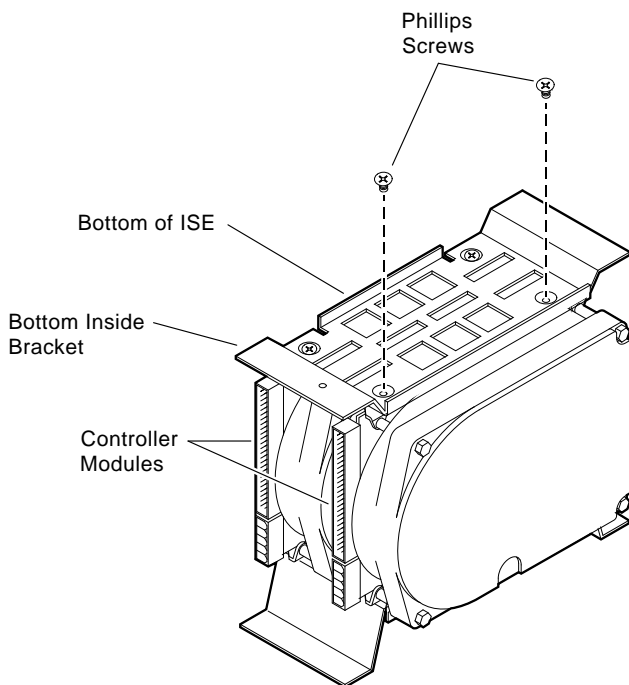
Complete the following procedures to install a new storage device:

1. Note the correct orientation of devices. Figure 3-3 shows a sample device from the bottom; Figure 3-4 shows it from the top.

## Installing RF-Series Options

### 3.2 Installing Brackets to the 3.5-Inch RF-Series ISE

**Figure 3–4** Installing the Phillips Screws That Secure the Storage Device to the Inside Brackets



MLO-007246

2. Secure the bottom inside bracket and the top inside bracket to the storage device(s) using the screws provided in the upgrade kit (Figure 3–4).
3. Reinstall the bottom outside bracket and then the top outside bracket.
4. When reinstalling the top outside bracket, lift the bracket's rear slot over the flange of the plastic interface card assembly, and then over the tab at the back of the bottom outside bracket. Both the tab and the flange must be inside the rear slot of the top outside bracket.



## Installing RF-Series Options

### 3.2 Installing Brackets to the 3.5-Inch RF-Series ISE

5. Make sure that the front mounting screw on the bottom outside bracket is installed through both the mating hole *and the grounding foil beneath it*.
6. Connect the power (5-pin) and signal (50-pin) cables to each drive.
7. Connect the remote front panel cable(s) provided in the upgrade kit to the controller module(s) on the storage device(s).

### 3.3 Installing an RF-Series ISE in the BA400-Series Enclosure

To install an RF-series ISE into a BA400-series enclosure, perform the following procedures.

#### 3.3.1 ISE Installation

---

**Caution**

---

Static electricity can damage integrated circuits. Use the antistatic wrist strap and antistatic pad found in the static-protective field service kit (P/N 29-26246-00) when you work with the internal parts of a computer system.

Handle the RF-series ISE with care. Dropping or bumping the ISE can damage the disk surface. Carry or hold the ISE by the underside of the lower bracket to avoid damaging the drive module.

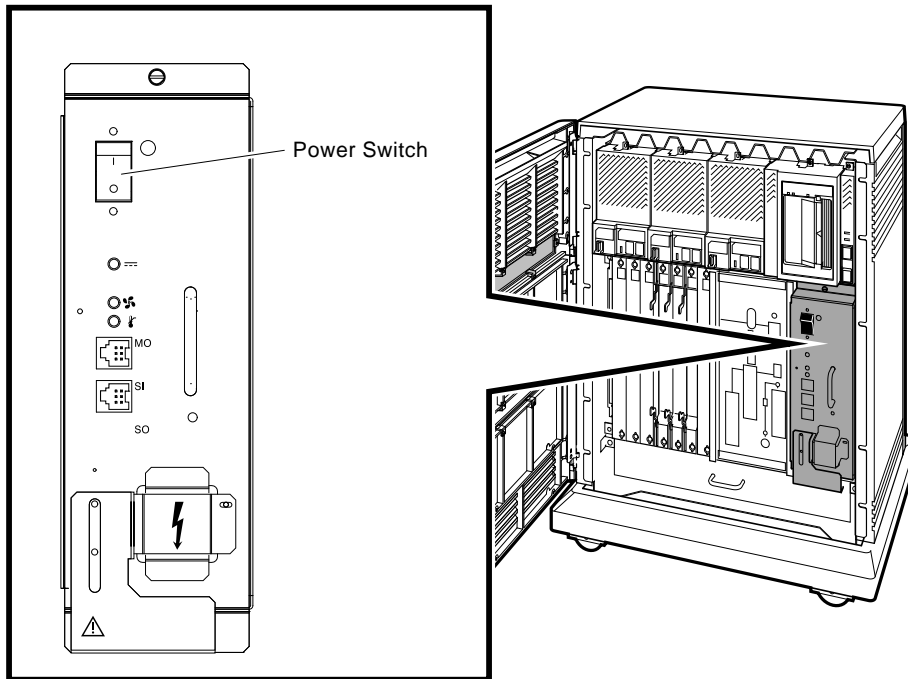
---

1. After the system manager shuts down the operating system, open the enclosure door, set the Power switch to off (0) (Figure 3-5).

## Installing RF-Series Options

### 3.3 Installing an RF-Series ISE in the BA400-Series Enclosure

Figure 3-5 Power Switch Location



MLO-006627

2. Always install ISEs working from right to left (Figure 3-6).

---

#### Note

---

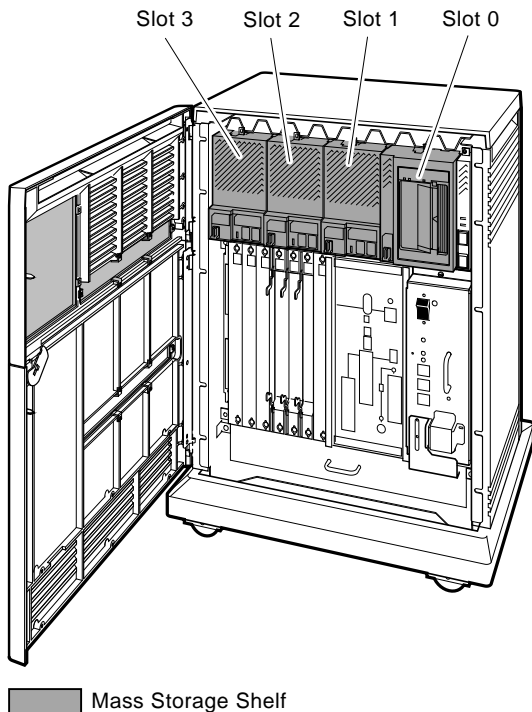
The first or right-most mass storage cavity in the mass storage area is wider than the rest to accommodate a larger device such as a tape drive. A small filler panel (70-27414-001) is used to fill the gap when an RF-series ISE is installed in this first cavity.

---

## Installing RF-Series Options

### 3.3 Installing an RF-Series ISE in the BA400-Series Enclosure

Figure 3-6 BA440 Enclosure



Mass Storage Shelf

MLO-006528

3. Loosen the captive Phillips screw at the top of the blank ISE front panel assembly, and remove the panel. The location of the Phillips screw is shown on a sample device in Figure 3-7D.
4. For the 5.25-inch form factor ISE, with the ISE controller module facing to the right, slide the ISE along the guide rails into the mass storage cavity (Figure 3-7A).

For the 3.5-inch ISE, with the controller module facing to the left, slide the ISE along the guide rails into the mass storage cavity (Figure 3-7A).

## Installing RF-Series Options

### 3.3 Installing an RF-Series ISE in the BA400-Series Enclosure

5. Using the upper and lower finger cutouts on the ISE brackets, firmly push the ISE brackets until the interface card at the rear of the storage device plugs into its backplane connector. The guide tabs on the upper and lower bracket should line up with the cutouts in the chassis. Tighten the two captive screws (Figure 3–7A).

---

**Caution**

---

It is normal for there to be a small gap between the ISE mounting bracket tabs and the enclosure frame. Tighten the captive screws only until they are securely fastened (9 in/lbs torque). Do not try to force the tabs to fit flush against the frame.

---

6. Plug the remote front panel cable(s) into the connector(s) inside the ISE front panel.

For 5.25-inch ISEs see Figure 3–7B.

For 3.5-inch ISEs see Figure 3–7C.

For the 5.25-inch ISEs only, use the Velcro fastener on the cable and on the inside of the ISE front panel to secure the remote front panel cable. The 3.5-inch ISEs have a different connector scheme that does not require the Velcro fastener.

---

**Note**

---

If the 3.5-inch ISE contains two storage devices, two remote front panel cables must be connected to the front panel. If the ISE contains only one storage device, only one remote front panel cable must be connected to the front panel.

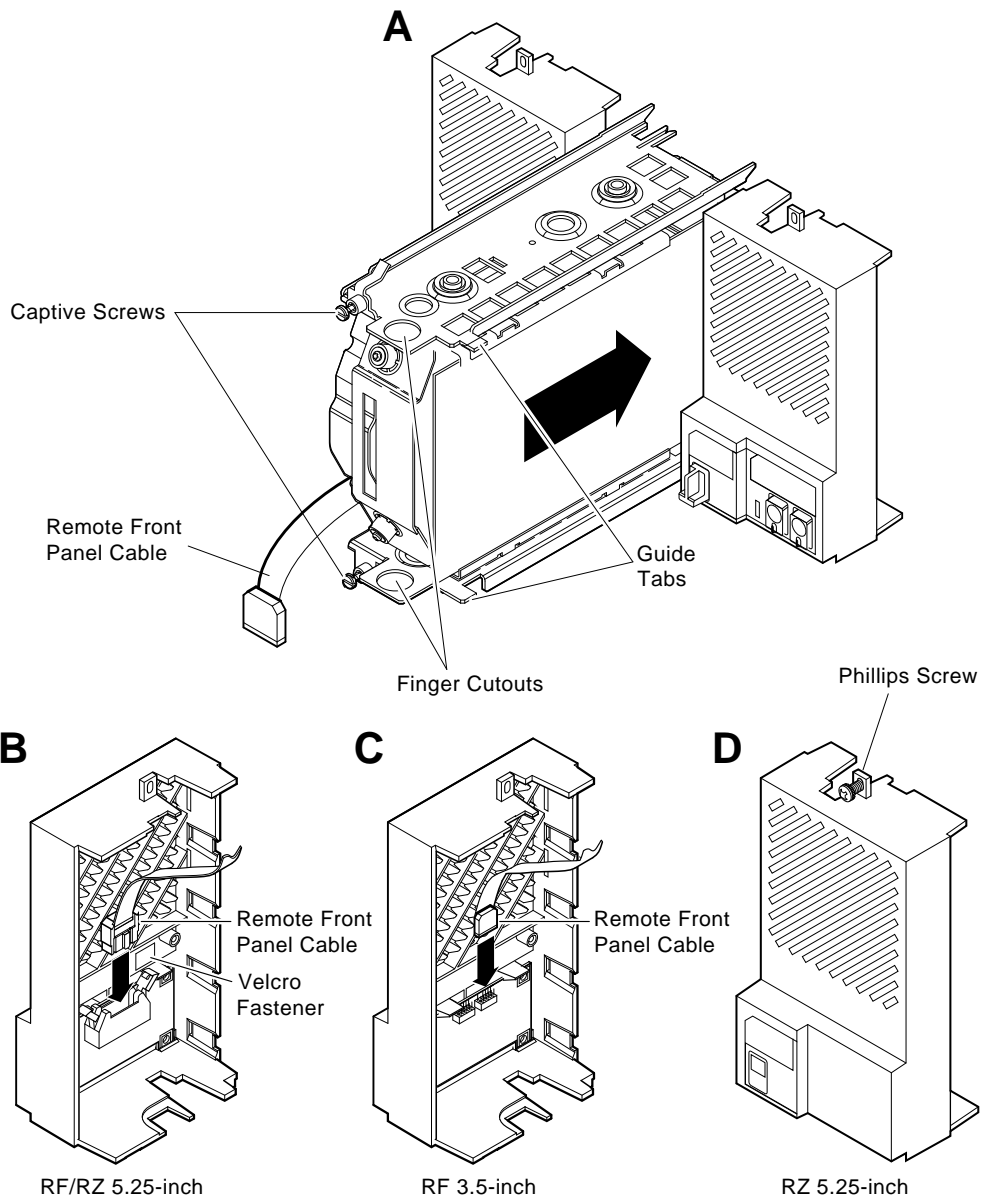
---

7. Attach the ISE front panel to the enclosure by inserting the panel's lower tabs into position. Secure the panel with its single captive Phillips screw (Figure 3–7D).

## Installing RF-Series Options

### 3.3 Installing an RF-Series ISE in the BA400-Series Enclosure

**Figure 3-7 Installing the ISE Upgrade in the Storage Cavity**



MLO-007244

## Installing RF-Series Options

### 3.3 Installing an RF-Series ISE in the BA400-Series Enclosure

#### 3.3.2 Bus Node ID Plug Installation

Bus node ID plugs have prongs at the rear that identify the bus node number (and by default, the unit number) of the ISEs to the system. Bus node ID plugs are shipped with the system.

To insert a bus node ID plug (P/N 12-28766-19), align the two center prongs with the two center slots of the receptacle on the ISE front panel (Figure 3–8). Push the plug firmly into the receptacle. To remove a bus node ID plug, grasp it firmly and pull it straight out.

Follow the rules below for numbering IDs for RF-series ISEs:

- For each DSSI bus controller, do not duplicate bus node numbers for storage elements. You can have only one storage element on bus 0 identified as node 0, one storage element as node 1, and so on.
- By convention, the ISEs are numbered in increasing order from right to left and top to bottom, starting with 0.

---

**Note**

---

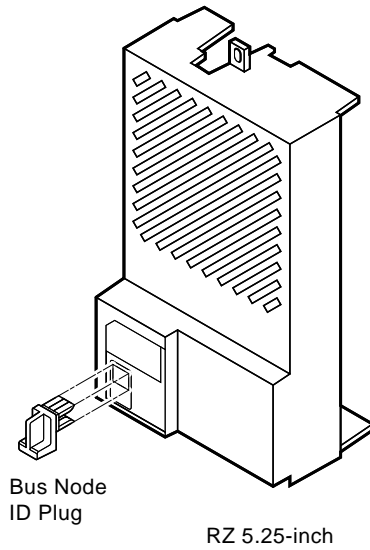
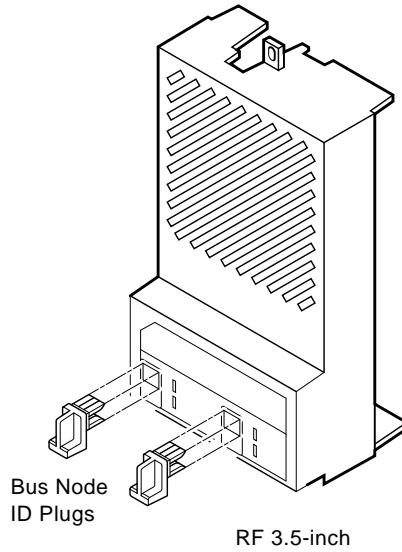
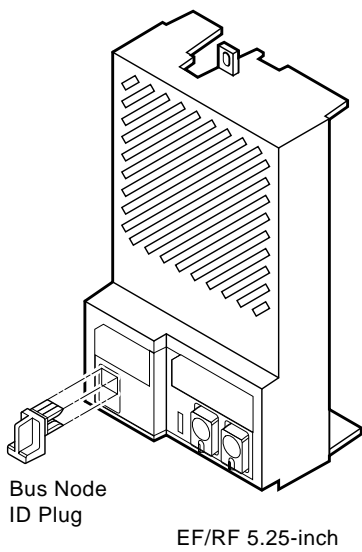
The DSSI node ID address assigned by the plug is read only during the power-up sequence. If you change the bus node ID plug while the system is operating, you must turn off the system and then turn it back on for the new plug addresses to take effect.

---

## Installing RF-Series Options

### 3.3 Installing an RF-Series ISE in the BA400-Series Enclosure

Figure 3-8 Installing the Bus Node ID Plug



MLO-007237





# Reader's Comments

BA200 to BA400 Series Enclosures  
Storage Device Conversion Procedure  
EK-DSSII-IN. B01

Your comments and suggestions help us improve the quality of our publications.  
Thank you for your assistance.

<b>I rate this manual's:</b>	Excellent	Good	Fair	Poor
Accuracy (product works as manual says)	<input type="checkbox"/>	<input type="checkbox"/>	<input type="checkbox"/>	<input type="checkbox"/>
Completeness (enough information)	<input type="checkbox"/>	<input type="checkbox"/>	<input type="checkbox"/>	<input type="checkbox"/>
Clarity (easy to understand)	<input type="checkbox"/>	<input type="checkbox"/>	<input type="checkbox"/>	<input type="checkbox"/>
Organization (structure of subject matter)	<input type="checkbox"/>	<input type="checkbox"/>	<input type="checkbox"/>	<input type="checkbox"/>
Figures (useful)	<input type="checkbox"/>	<input type="checkbox"/>	<input type="checkbox"/>	<input type="checkbox"/>
Examples (useful)	<input type="checkbox"/>	<input type="checkbox"/>	<input type="checkbox"/>	<input type="checkbox"/>
Index (ability to find topic)	<input type="checkbox"/>	<input type="checkbox"/>	<input type="checkbox"/>	<input type="checkbox"/>
Page layout (easy to find information)	<input type="checkbox"/>	<input type="checkbox"/>	<input type="checkbox"/>	<input type="checkbox"/>

I would like to see more/less \_\_\_\_\_  
\_\_\_\_\_

What I like best about this manual is \_\_\_\_\_  
\_\_\_\_\_

What I like least about this manual is \_\_\_\_\_  
\_\_\_\_\_

I found the following errors in this manual:

Page	Description
_____	_____
_____	_____
_____	_____

Additional comments or suggestions to improve this manual:

\_\_\_\_\_  
\_\_\_\_\_  
\_\_\_\_\_

For software manuals, please indicate which version of the software you are using: \_\_\_\_\_  
\_\_\_\_\_

Name/Title \_\_\_\_\_ Dept. \_\_\_\_\_

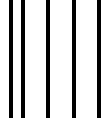
Company \_\_\_\_\_ Date \_\_\_\_\_

Mailing Address \_\_\_\_\_

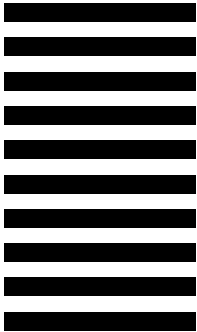
\_\_\_\_\_ Phone \_\_\_\_\_

— Do Not Tear - Fold Here and Tape —

**digital**™



No Postage  
Necessary  
If Mailed  
in the  
United States



**BUSINESS REPLY MAIL**  
FIRST CLASS PERMIT NO. 33 MAYNARD MASS.

POSTAGE WILL BE PAID BY ADDRESSEE

DIGITAL EQUIPMENT CORPORATION  
Information Design and Consulting  
PKO3-1/D30  
129 Parker Street  
Maynard, MA 01754-9975



— Do Not Tear - Fold Here —