



## Joiner Kit Installation Information

### EK-JOINR-IN. D01

November, 1998

### Introduction

The joiner kit is used to join two cabinets together. These instructions cover the joiner kit part numbers listed in the following table.

Kit Part Number	Cabinets Joined	Color of Cabinet
H9C15-JB	H9A15	Mid-range gray
H9C15-JC	H9A15	Top gun blue
H9C15-JD	H9A15	All (gray, blue, and white)
H9C15-JE	H9A15	Compaq opal
H9C10-JB	H9A10 <sup>1</sup>	Mid-range gray
H9C10-JC	H9A10	Top gun blue
H9C10-JD	H9A10	All (gray, blue, and white)
H9C10-JE	H9A10	Compaq opal

<sup>1</sup> Not all mid-range gray H9A10 cabinets are capable of being joined. Before purchase, verify that the side panels on the H9A10 cabinet are removable.

The following table contains a list of the hardware included in each of the four H9A15 joiner kits.

Description	Qty	H9C15-JB	H9C15-JC	H9C15-JD	H9C15-JE
Top joiner trim	1	74-51071-01	74-51071-02	74-51071-03	74-51071-04
Front joiner trim	1	74-51070-01	74-51070-03	74-51070-05	74-51070-07
Rear joiner trim	1	74-51070-02	74-51070-04	74-51070-06	74-51070-08
Joiner pawl assembly	4	70-32782-01	70-32782-01	70-32782-01	70-32782-01
Joiner receptacle assembly	4	70-32782-02	70-32782-02	70-32782-02	70-32782-02
M5 x 12 mm screw	18	90-09984-18	90-09984-18	90-09984-18	90-09984-18
M5 x 16 mm screw	2	90-40276-01	90-40219-01	90-40219-01	90-40219-01
M5 keybutton screw	2	74-51107-01	74-51107-01	74-51107-01	74-51107-01
M5 U-clips	16	90-07786-04	90-07786-04	90-07786-04	90-07786-04
24-inch Allen wrench	1	47-00162-01	47-00162-01	47-00162-01	47-00162-01
Joiner Kit Installation Information	1	EK-JOINR-IN	EK-JOINR-IN	EK-JOINR-IN	EK-JOINR-IN

© Compaq Computer Corporation. 1998. All Rights Reserved.

® Compaq is registered in the United States Patent and Trademark Office.

The following table contains a list of the hardware included in each of the four H9A10 joiner kits.

Description	Qty	H9C10-JB	H9C10-JC	H9C10-JD	H9C10-JE
Top joiner trim	1	74-51121-02	74-51121-01	74-51121-03	74-51121-04
Front joiner trim	1	74-51120-03	74-51120-01	74-51120-05	74-51120-07
Rear joiner trim	1	74-51120-04	74-51120-02	74-51120-06	74-51120-08
Joiner pawl assembly	4	70-32782-01	70-32782-01	70-32782-01	70-32782-01
Joiner receptacle assembly	4	70-32782-02	70-32782-02	70-32782-02	70-32782-02
M5 x 12 mm screw	18	90-09984-18	90-09984-18	90-09984-18	90-09984-18
M5 x 16 mm screw	2	90-40276-01	90-40219-01	90-40219-01	90-40219-01
M5 keybutton screw	2	74-51107-01	74-51107-01	74-51107-01	74-51107-01
M5 U-clips	16	90-07786-04	90-07786-04	90-07786-04	90-07786-04
24-inch Allen wrench	1	47-00162-01	47-00162-01	47-00162-01	47-00162-01
Joiner Kit Installation Information	1	EK-JOINR-IN	EK-JOINR-IN	EK-JOINR-IN	EK-JOINR-IN

## Installation Procedure

Refer to the following procedure to install the joiner kit:

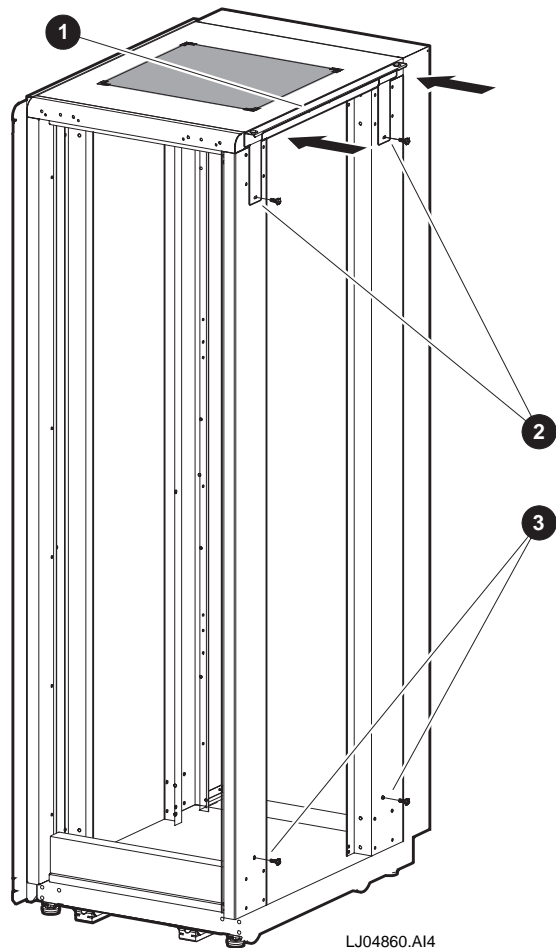
1. Wheel the two cabinets that are to be joined to the desired location.
2. Remove the right side panel from the left cabinet. The panel is either secured by six visible screws on the outside, or two screws on the inside of the cabinet in a tab that is five inches up from the base of the cabinet. If the panel is secured by rivets, the cabinet cannot be joined with this joiner kit.
3. Remove the left side panel from the right cabinet by following the procedure in step 2.
4. See Figure 1 and attach the top joiner trim piece ❶ to the left cabinet by using two M5 x 12 mm machine screws ❷ and the top two right side-panel screw holes.
5. See Figure 1 and install the two M5 keybutton screws ❸ in the bottom two right side-panel screw holes on the left cabinet. Ensure that these screws are tightened to the shoulder.
6. See Figure 2 and install two M5 U-clips ❹ at the top of the right front rail on the left cabinet over the 3rd and 6th holes from the top. Slide the U-clips over the edge of the rail so that they are aligned with the 3rd and 6th holes from the top and that the threaded half of the U-clips are toward the inside of the cabinet. Install a joiner *pawl* assembly ❺ to these U-clips using two M5 x 12 mm machine screws ❻. Orient the joiner pawl assembly with the black mounting bracket toward the front of the cabinet and the joiner pawl assembly side opening toward the right.

### Note

If equipment installed inside the cabinet prevents using the 3rd and 6th holes from the top, other holes can be used as long as the corresponding joiner receptacle assembly in the right cabinet is installed in the same holes as the joiner pawl assembly in the left cabinet.

7. See Figure 2 and install two M5 U-clips ❹ at the bottom of the right front rail on the left cabinet over the 3rd and 6th holes from the bottom. Slide the U-clips over the edge of the rail so that they are aligned with the 3rd and 6th holes from the bottom and that the threaded half of the U-clips are toward the inside of the cabinet. Install a joiner pawl assembly ❺ to these U-clips using two M5 x 12 mm machine screws ❻. Orient the joiner pawl assembly with the black mounting bracket toward the front of the cabinet and the joiner pawl assembly side opening toward the right.

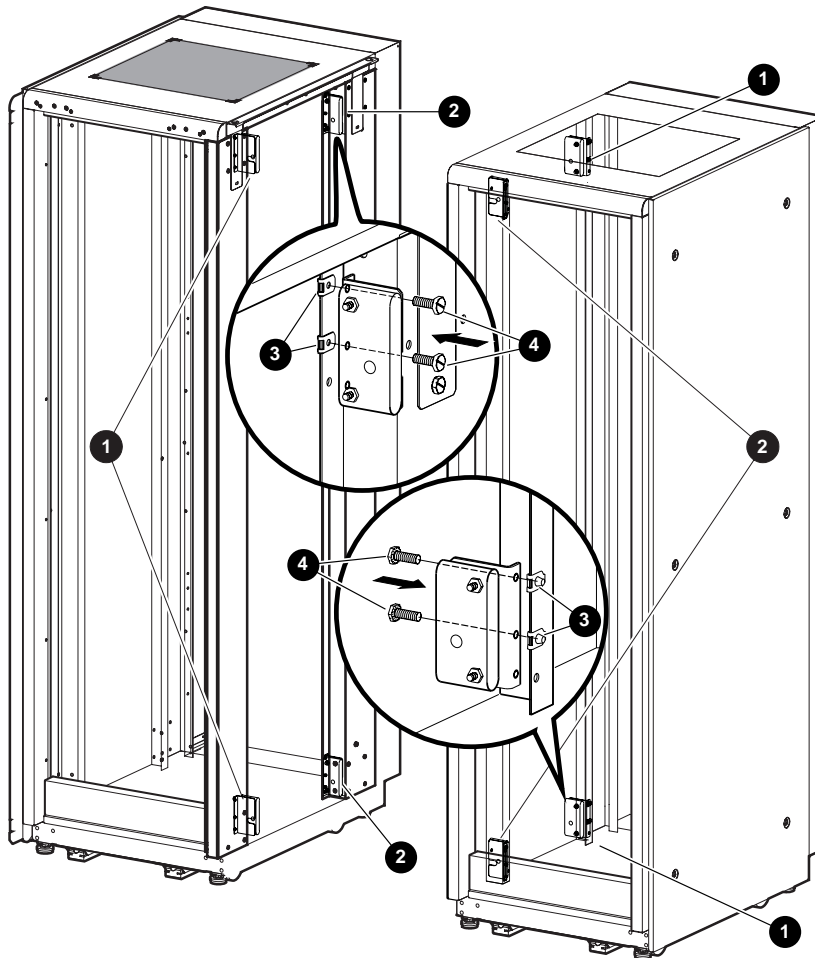
**Figure 1 Installing the Top Joiner Trim and Keybutton Screws**



8. See Figure 2 and install two M5 U-clips ③ at the bottom of the right rear rail on the left cabinet over the 3rd and 6th holes from the bottom. Slide the U-clips over the edge of the rail so that they are aligned with the 3rd and 6th holes from the bottom and that the threaded half of the U-clips are toward the inside of the cabinet. Install a joiner *receptacle* assembly ② to these U-clips using two M5 x 12 mm machine screws ④. Orient the joiner receptacle assembly with the black mounting bracket toward the rear of the cabinet and the joiner receptacle assembly side opening toward the right.
9. See Figure 2 and install two M5 U-clips ③ at the top of the right rear rail on the left cabinet over the 3rd and 6th holes from the top. Slide the U-clips over the edge of the rail so that they are aligned with the 3rd and 6th holes from the top and that the threaded half of the U-clips are toward the inside of the cabinet. Install a joiner receptacle assembly ② to these U-clips using two M5 x 12 mm machine screws ④. Orient the joiner receptacle assembly with the black mounting bracket toward the rear of the cabinet and the joiner receptacle assembly side opening toward the right.
10. See Figure 2 and install two M5 U-clips ③ at the top of the left front rail on the right cabinet over the 3rd and 6th holes from the top. Slide the U-clips over the edge of the rail so that they are aligned with the 3rd and 6th holes from the top and that the threaded half of the U-clips are toward the inside of the cabinet. Install a joiner receptacle assembly ② to these U-clips using two M5 x 12 mm machine screws ④. Orient the joiner receptacle assembly with the black mounting bracket toward the front of the cabinet and the joiner receptacle assembly side opening toward the left.

11. See Figure 2 and install two M5 U-clips ③ at the bottom of the left front rail on the right cabinet over the 3rd and 6th holes from the bottom. Slide the U-clips over the edge of the rail so that they are aligned with the 3rd and 6th holes from the bottom and that the threaded half of the U-clips are toward the inside of the cabinet. Install a joiner receptacle assembly ② to these U-clips using two M5 x 12 mm machine screws ④. Orient the joiner receptacle assembly with the black mounting bracket toward the front of the cabinet and the joiner receptacle assembly side opening toward the left.
12. See Figure 2 and install two M5 U-clips ③ at the bottom of the left rear rail on the right cabinet over the 3rd and 6th holes from the bottom. Slide the U-clips over the edge of the rail so that they are aligned with the 3rd and 6th holes from the bottom and that the threaded half of the U-clips are toward the inside of the cabinet. Install a joiner pawl assembly ① to these U-clips using two M5 x 12 mm machine screws ④. Orient the joiner pawl assembly with the black mounting bracket toward the rear of the cabinet and the joiner pawl assembly side opening toward the left.
13. See Figure 2 and install two M5 U-clips ③ at the top of the left rear rail on the right cabinet over the 3rd and 6th holes from the top. Slide the U-clips over the edge of the rail so that they are aligned with the 3rd and 6th holes from the top and that the threaded half of the U-clips are toward the inside of the cabinet. Install a joiner pawl assembly ① to these U-clips using two M5 x 12 mm machine screws ④. Orient the joiner pawl assembly with the black mounting bracket toward the rear of the cabinet and the joiner pawl assembly side opening toward the left.

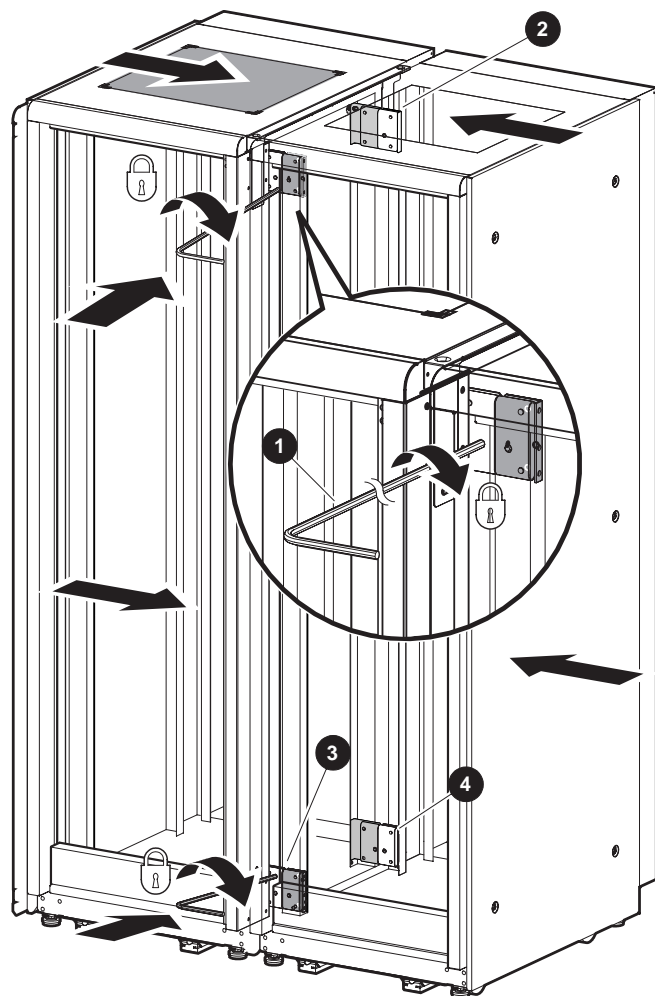
**Figure 2 Installing the Pawl and Receptacle Assemblies (Front View)**



LJ 04861A.A14

14. Wheel the cabinets together and align the joiner pawl assemblies with the joiner receptacle assemblies (see Figure 3). **Note:** In Figure 3, the joiner receptacle assemblies are shown shaded and the joiner pawl assemblies are shown white.
15. From the front of the cabinets, extend the 24-inch Allen wrench ❶ through the space between the cabinets and into the hexagon keyhole on the top front joiner pawl assembly (see Figure 3). Turn the wrench clockwise to lock the top front joiner pawl assembly and the top front joiner receptacle assembly together. Repeat this step to lock the bottom front joiner pawl and joiner receptacle assemblies ❸ together.
16. Repeat step 15 two more times from the rear of the cabinets to lock the top rear ❷ and bottom rear ❹ joiner pawl and joiner receptacle assemblies together.

**Figure 3 Locking the Pawl and Receptacle Assemblies**

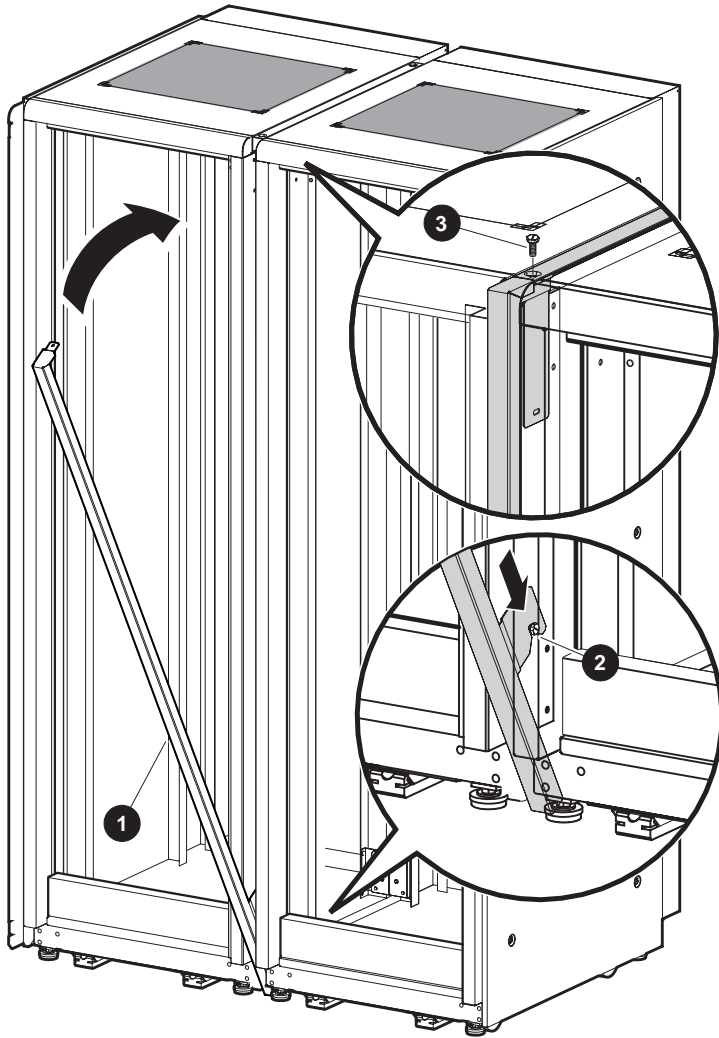


LJ04862C.A14

17. See Figure 4 and install the front joiner trim piece ❶ by extending the vertical plate attached to the bottom of the trim piece into the space between the cabinets and fitting the notch in the vertical plate over the M5 keybutton screw ❷ that is installed in the bottom front right-side panel screw hole on the left cabinet.
18. See Figure 4 and swing the front joiner trim piece up until the top of this trim piece slides under the top joiner trim piece, and secure it with an M5 x 16 mm machine screw ❸.

19. Refer to Figure 4 and install the rear joiner trim piece by extending the vertical plate attached to the bottom of the trim piece into the space between the cabinets and fitting the notch in the vertical plate over the M5 keybutton screw that is installed in the bottom rear right-side panel screw hole on the left cabinet.
20. Refer to Figure 4 and swing the rear joiner trim piece up until the top of this trim piece slides under the top joiner trim piece, and secure it with an M5 x 16 mm machine screw.

**Figure 4 Installing the Front Joiner Trim**



LJ04863.A14

21. Adjust the leveler feet downward on both cabinets so that the cabinets are level and the load is removed from the casters.

#### **Caution**

---

Ensure that the leveler feet extend enough to carry the load of the cabinets so that the casters spin freely. If not, damage to the casters will result over an extended period of time.

---