



## Rackmount 15"/17" Flexible Monitor Kit Installation Information

EK-RFMON-IN. A01

July 1999

### Introduction

The 2T-RFMON-B5/B7/O5/O7 (15" Blue/17" Blue/15" Gray/17" Gray) rackmount flexible monitor kit contains the components for installing the monitor shelf, the adjustable panel, and the monitor bezel in a 48.26-cm (19-in) EIA cabinet.

Table 1 lists the parts that are shipped with the 2T-RFMON-B5/B7/O5/O7 rackmount flexible monitor kit. The callouts in column 1 refer to the part location in Figure 1.

**Table 1 2T-RFMON-B5/B7/O5/O7 Rackmount Flexible Monitor Kit Parts List**

Figure 1 Callout	Description	Part Number	Qty.
❶	10-32 U-nut	90-07786-01	8
❷	Monitor shelf	74-60551-01	1
❸	10-32 truss-head screw	90-00063-39	8
❹	10-32 x 1.68 hex standoff	90-11537-01	4
❺	10-32 Kep nut	90-06565-00	4
❻	10-32 Phillips-head screw	90-11509-01	4
	Monitor bezel kit (15" Blue) or	70-40202-01	
	❶ Adjustable panel (1)		
	❸ Monitor bezel (1)		
	❹ 8-32 Kep nut (4)		
	Monitor bezel kit (17" Blue) or	70-40202-02	
	❶ Adjustable panel (1)		
	❸ Monitor bezel (1)		
	❹ 8-32 Kep nut (4)		
	Monitor bezel kit (15" Gray) or	70-40202-03	
	❶ Adjustable panel (1)		
	❸ Monitor bezel (1)		
	❹ 8-32 Kep nut (4)		
	Monitor bezel kit (17" Gray) or	70-40202-04	
	❶ Adjustable panel (1)		
	❸ Monitor bezel (1)		
	❹ 8-32 Kep nut (4)		
❿	Flat washer, 5/16-inch	90-06679-00	8
	<i>Rackmount 15"/17" Flexible Monitor Kit Installation Information</i>	EK-RFMON-IN	1

© Compaq Computer Corporation. 1999. All Rights Reserved.

® Compaq and the Compaq logo are registered in the United States Patent and Trademark Office.

## Installing the Rackmount 15"/17" Flexible Monitor Kit

The rackmount 15"/17" flexible monitor kit requires 44.45 cm (17.50 in.) of vertical space or 30 contiguous holes in a 48.26-cm (19-in) EIA cabinet. The bottom hole in this installation area is identified as hole 1 and the top hole is identified as hole 30.

In the following installation procedures, directions are referred to while viewing the components from the front of the cabinet. To install the rackmount 15"/17" flexible monitor kit, refer to Figure 1 and the following procedures:

1. Install a 10-32 U-nut ❶ over the 6th, 9th, 12th, and 15th holes of the installation area on the left and right front rails by sliding the U-nuts over the edge of the rails and aligning them with the holes. Ensure that the threaded half of the U-nuts are toward the inside of the cabinet.
2. Place the monitor shelf ❷ into the installation area and align the notches on each side with the 6th, 9th, 12th, and 15th holes of the installation area on the left and right front rails.
3. Secure the monitor shelf to the left and right front rails with eight 10-32 truss-head screws ❸.
4. Install a 10-32 hex standoff ❹ in the 4th and 27th holes of the installation area on the left and right front rails and secure each one in place with two flat washers ❿ and a 10-32 Kep nut ❺.
5. Using the components from the specific monitor bezel kit, mount the adjustable panel ❶ on the inside of the monitor bezel ❸ with four 8-32 Kep nuts ❸.

### Note

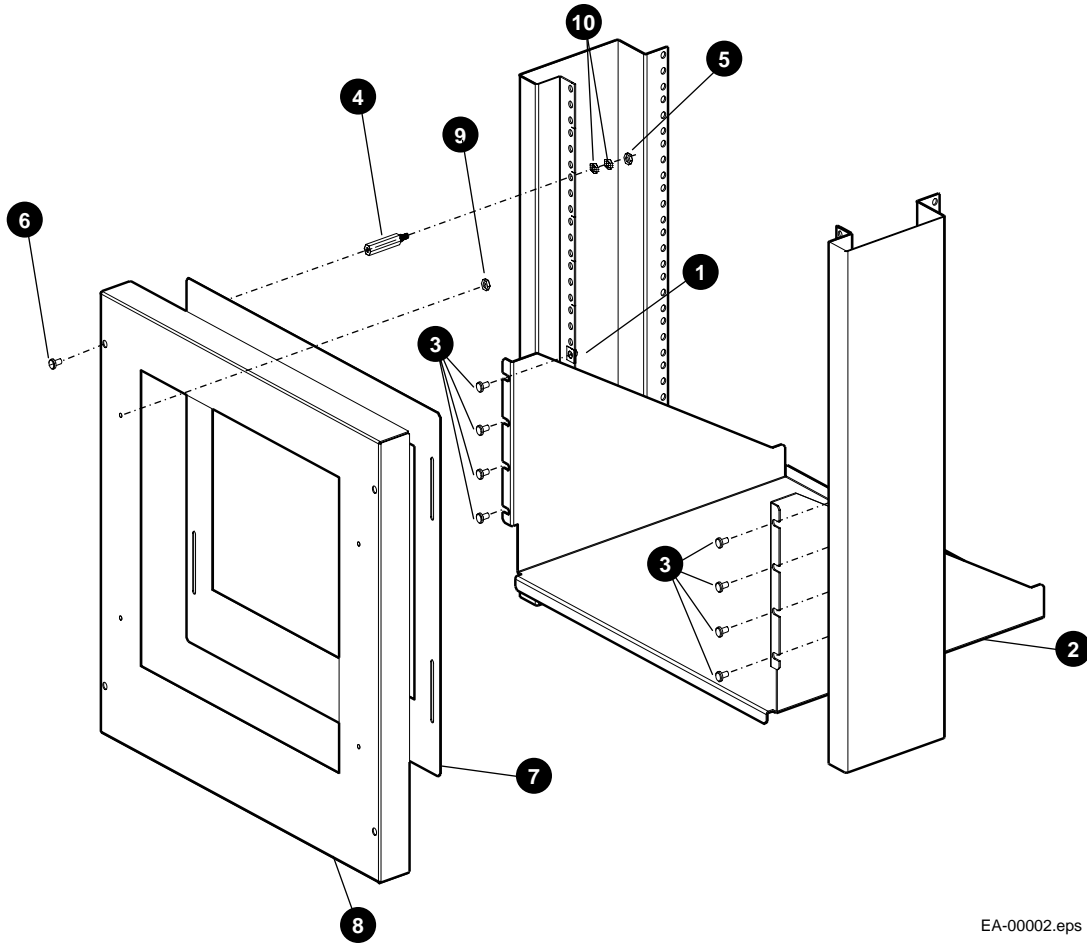
---

Before installing the monitor bezel, the monitor can be placed on the monitor shelf. The monitor can also be placed on the monitor shelf from the rear of the cabinet after installing the monitor bezel.

---

6. Using four 10-32 Phillips-head screws ❹, mount the monitor bezel on the four standoffs.

Figure 1 Installing the 2T-RFMON-B5/B7/O5/O7 Rackmount Flexible Monitor Kit



EA-00002.eps

