

**ILLUSTRATED  
PARTS  
BREAKDOWN**

**DECstation/DECsystem 5000  
MODELS 50/150/260**

**ILLUSTRATED PARTS BREAKDOWN (IPB)**

The IPB is used to identify a part and its location in a hardware product. The document references specific item numbers in the associated parts list.

**HOW TO USE THE IPB**

1. Locate the figure containing the item of interest.
2. Locate the number (callout) of the item of interest.
3. Locate that item number in the associated parts list.

**FORMAT**

Each IPB is generally organized based on its first figure. All other assemblies and subassemblies are referenced from this figure. Each figure contains numeric callouts of all major parts (items).

**PARTS LIST**

Each parts list contains the following:

**Figure and Item No.** – Lists the figure number and its referenced numeric callout

**Description** – Presents the name and a brief description of the item. A single asterisk (\*) preceding the description denotes item is a

subassembly to its referenced figure. A double asterisk (\*\*) preceding the description indicates that this item is subordinate to the preceding single asterisk item.

**DEC Part No.** – Lists the Digital/Vendor part number. The letter in the column heading indicates the current revision level of the Engineering Drawing for the referenced figure.

**ECO Cut-In** – Lists the top assembly drawing number and revision level at first printing. All additional revisions to an item are listed in this column.

**Used On Code** – Lists letters referring to the product variation assigned in Figure 1. When this column is blank, the item is used in all variations.

**Ref Fig No.** – Lists a cross reference between figures within the IPB.

**PART NUMBER/PART DESCRIPTION INDEX SECTION**

Lists items by part number numerically, and description alphabetically. Items are also referenced to a location within the IPB by figure and item number.

**ECO/REVISION HISTORY**

**OTHER IPB  
MANUALS  
REFERENCED**

FIGURE NO.	ASSEMBLY	INITIAL LEVEL	CURRENT LEVEL	PRINTING DATE	OTHER IPB MANUALS REFERENCED
1	PM40A	00000	00000	9-JUL-93	N/A
2	PM40B	00000	00000		
3	PM41B	00000	00000		
4	70-28357	00002	00002		
5	PM43B	00000	00000		
6	70-28322	00004	00004		
7	PM48A	00000	00000		
8	PM48B	00000	00000		
9	PM49B	00000	00000		
10	70-28350	00001	00001		
11	70-28348	00002	00002		

Digital Equipment Corporation reserves the right, without notice, to make substitutions and modifications in the specifications of products documented in this manual and further reserves the right to withdraw any of these products from the market without notice.

Digital Equipment Corporation is not responsible for errors which may appear in the technical description (including illustrations and photographs) of the products covered by this manual.

None of the descriptions contained in this manual imply the granting of any license whatsoever to make, use or sell equipment constructed in accordance therewith.

Restricted Rights: Use, duplication or disclosure by the U.S. Government is subject to restrictions as set forth in subparagraph (c) (1) (ii) of the Rights in Technical Data and Computer Software clause at DFARS 252.227-2713.

Copyright © 1993 by Digital Equipment Corporation. All rights reserved.  
Printed in U.S.A.

The postage-paid READER'S COMMENTS form on the last page of this document requests your critical evaluation to assist us in preparing future documentation.

The following are trademarks of Digital Equipment Corporation :

---

CX, DECdirect, DECstation, DECsystem, RRD42, RX, RZ and the DIGITAL logo.

**Personal DECstation 5000 Model 50**  
**DECsystem 5000 Model 50**





INDICATES FRU LEVEL PARTS.

PARTS LIST

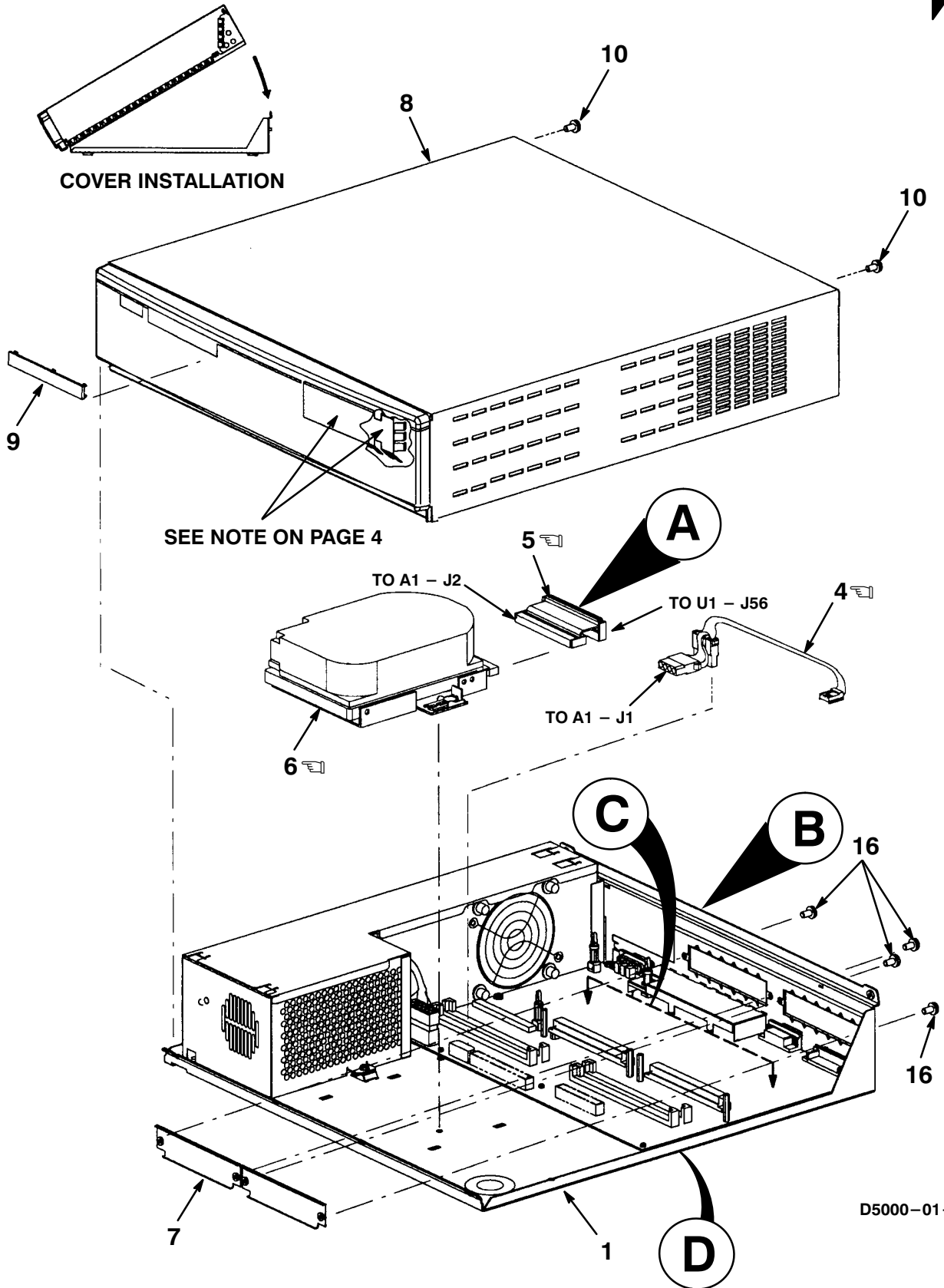
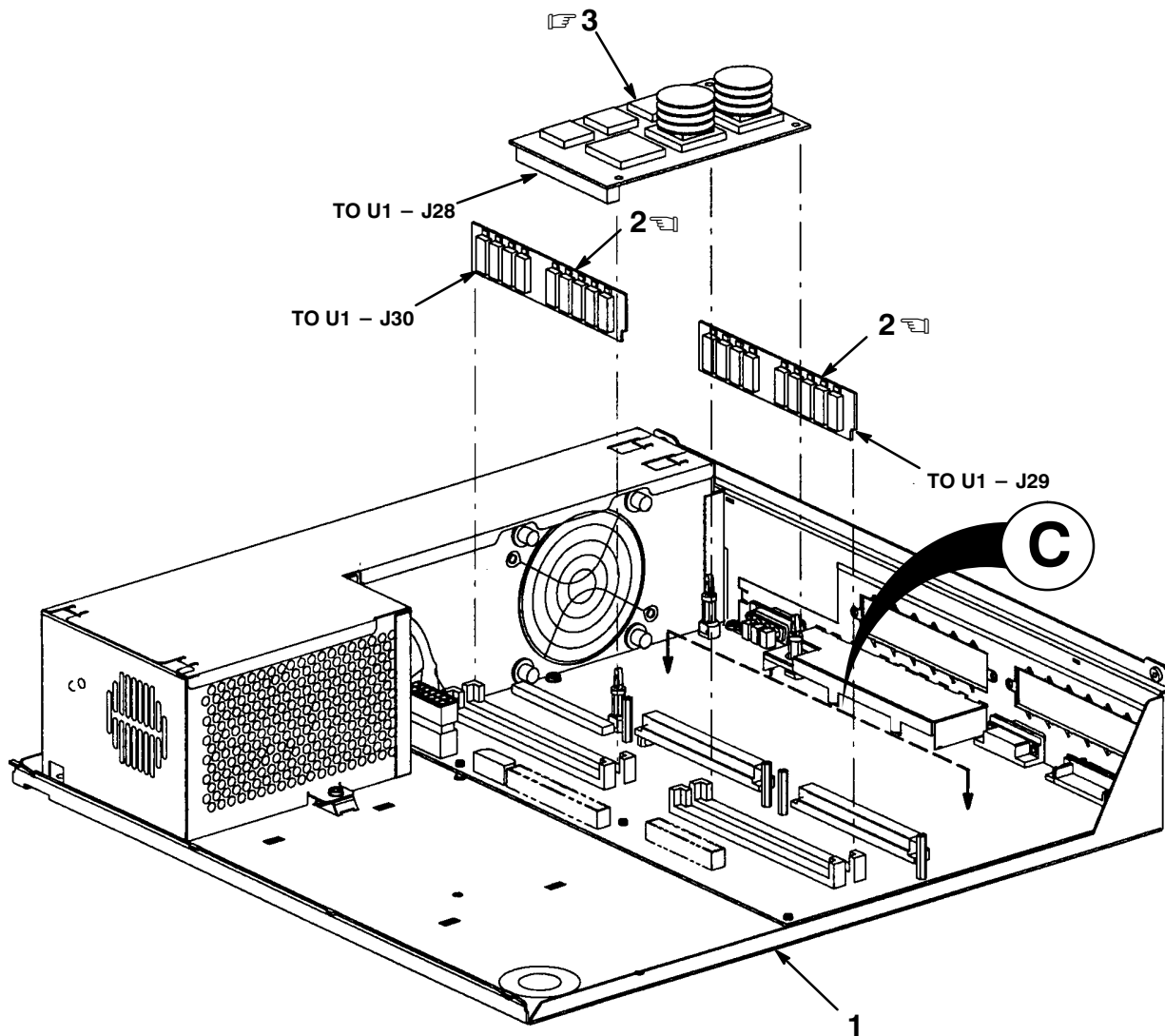


Figure 1. Personal DECstation 5000 Model 50 Custom Kernel Assembly (Sheet 1 of 3)

  INDICATES FRU LEVEL PARTS.



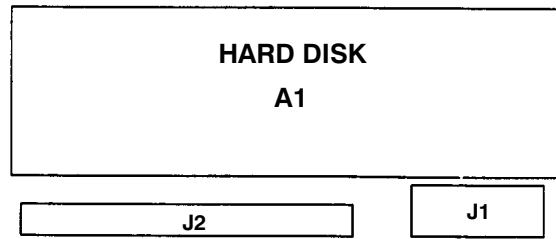
D5000-01A-SC

Figure 1. Personal DECstation 5000 Model 50 Custom Kernel Assembly (Sheet 2 of 3)

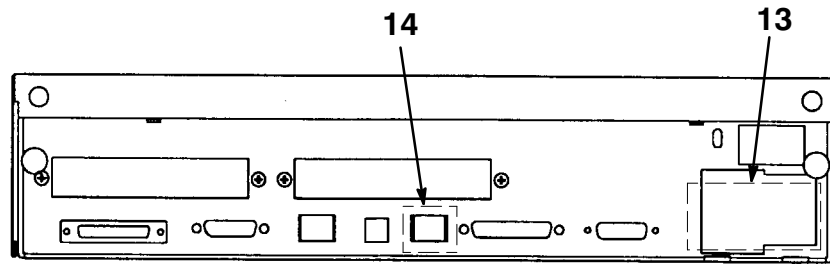


INDICATES FRU LEVEL PARTS.

PARTS LIST

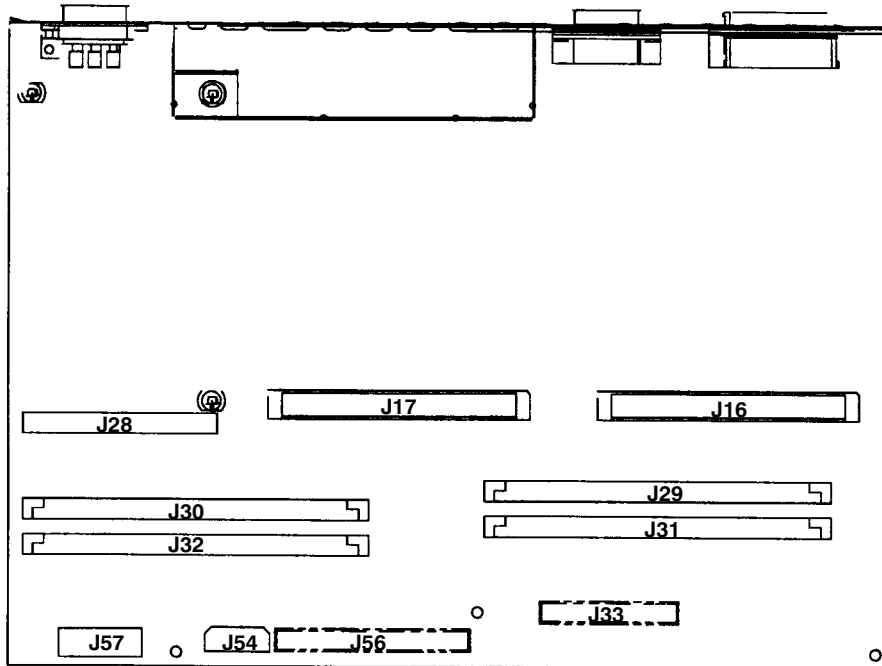


A

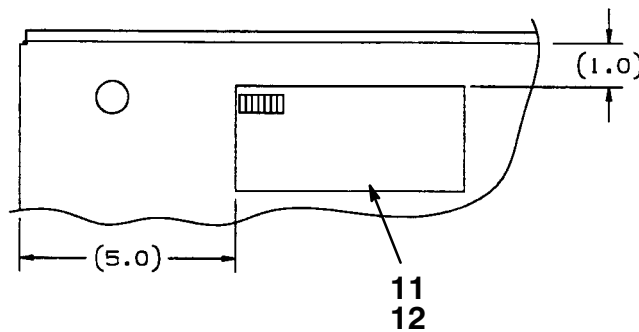


B

REAR VIEW



C



D

D5000-01B-SC

Figure 1. Personal DECstation 5000 Model 50 Custom Kernel Assembly (Sheet 3 of 3)

FIG. & ITEM NO.	DESCRIPTION	DEC PART NO. <sup>A</sup>	ECO CUT-IN PM40A 00000	USED ON CODE	REF FIG NO.
1-	PERSONAL DECstation 5000 MODEL 50 CUSTOM KERNEL ASSEMBLY	N/A			
	Code A – Model PM40A–AP (50 MHZ, 8 MB Memory, Base Graphics, RZ25 Disk Drive)	PM40A–AP		A	
	Code B – Model PM40A–CP (50 MHZ, 8 MB Memory, 1 MS01–CA, 16 MB Parity Memory, 4 Mbit DRAM Chip)	PM40A–CP		B	
1	*SYSTEM BOX ASSEMBLY, COMMON	70–28357–02			4
☞ 2	*Module, SIMM Hybrid Memory 4M x 18 Bit	57–34320–01		B	
☞ 3	*Module, R4000	54–21874–01			
☞ 4	*Wire Harness Assembly, 04 Cond, 22 AWG	17–03357–01			
☞ 5	*Cable Assembly, 50 Cond, Flat	17–01626–05			
☞ 6	*Disk Drive Assembly, 3 1/2 Inch SCSI, 426 MB	RZ25–EP			
7	*Bulkhead Assembly, PM300 Blank	74–41143–05			
8	*Cover Assembly, Top	70–28353–02			
9	*Medallion, DECstation 5000/50	74–41856–13			
10	*Screw, Self–Tap Pan Hd No. 6 x 1/4	90–00062–10			
11	*Label, “Regulatory” (U.S.)	36–35152–11			
12	*Label, “Regulatory” (U.K.)	36–35152–12			
13	*Label, “Attention Pre–Installed Software”	36–28979–01			
14	*Label, Blank, 1 Inch x 1 Inch	36–37572–01			
	ITEM (Not Shown)				
	*Package Assembly	37–01295–03			
	NOTE: For Units With Disk Drives, Remove Blank Bezel (74–46387–01), Then Remove Blank Shield (74–46395–01).				



INDICATES FRU LEVEL PARTS.

PARTS LIST

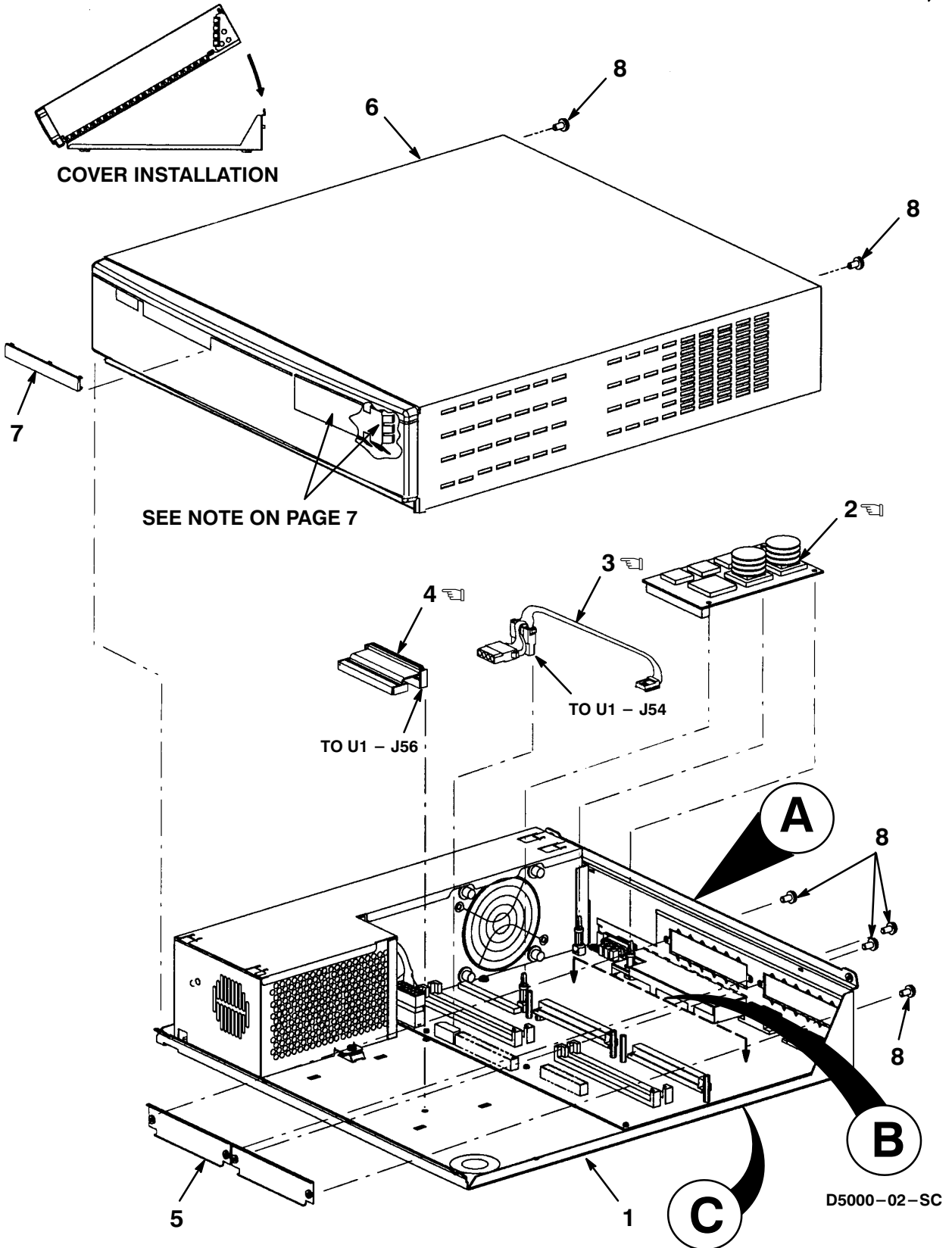
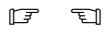
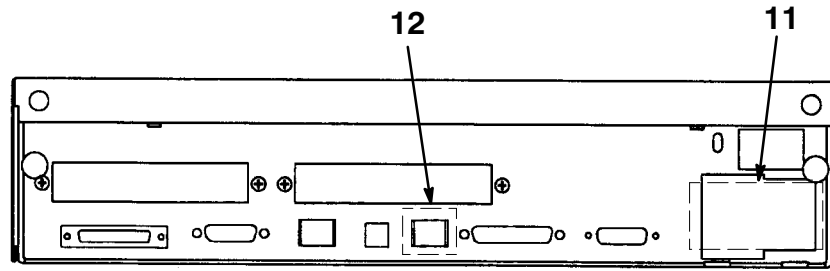


Figure 2. Personal DECstation 5000 Model 50 System Kernel Assembly (Sheet 1 of 2)



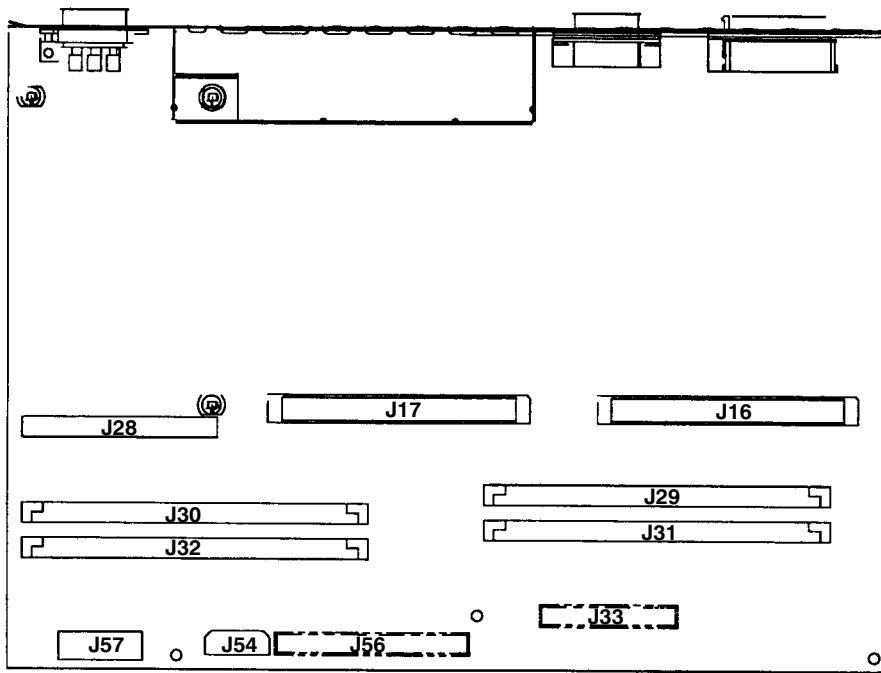
INDICATES FRU LEVEL PARTS.

PARTS LIST

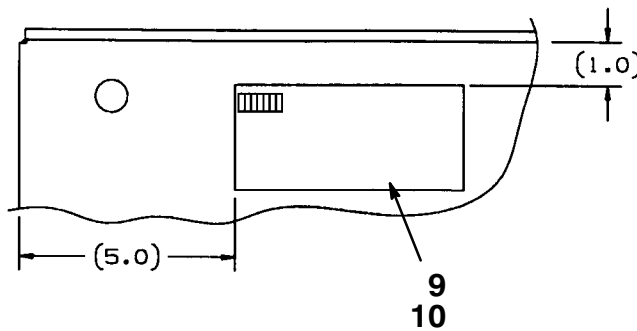


**A**

REAR VIEW



**B**



**C**

D5000-02A-SC

Figure 2. Personal DECstation 5000 Model 50 System Kernel Assembly (Sheet 2 of 2)

FIG. & ITEM NO.	DESCRIPTION	DEC PART NO. <sup>A</sup>	ECO CUT-IN PM40B 00000	USED ON CODE	REF FIG NO.
2-	PERSONAL DECstation 5000 MODEL 50 SYSTEM KERNEL ASSEMBLY (50 MHZ, 8 MB Memory, Base Graphics, Diskless)	PM40B-AY			
1	*SYSTEM BOX ASSEMBLY, COMMON	70-28357-02			4
☞ 2	*Module, R4000	54-21874-01			
☞ 3	*Wire Harness Assembly, 04 Cond, 22 AWG	17-03357-01			
☞ 4	*Cable Assembly, 50 Cond, Flat	17-01626-05			
5	*Bulkhead Assembly, PM300 Blank	74-41143-05			
6	*Cover Assembly, Top	70-28353-02			
7	*Medallion, DECstation 5000/50	74-41856-13			
8	*Screw, Self-Tap Pan Hd No. 6 x 1/4	90-00062-10			
9	*Label, "Regulatory" (U.S.)	36-35152-11			
10	*Label, "Regulatory" (U.K.)	36-35152-12			
11	*Label, "Attention Pre-Installed Software"	36-28979-01			
12	*Label, Blank, 1 Inch x 1 Inch	36-37572-01			
	ITEM (Not Shown)				
	*Package Assembly	37-01295-03			
	NOTE: For Units With Disk Drives, Remove Blank Bezel (74-46387-01), Then Remove Blank Shield (74-46395-01).				

THIS PAGE INTENTIONALLY LEFT BLANK

INDICATES FRU LEVEL PARTS.

PARTS LIST

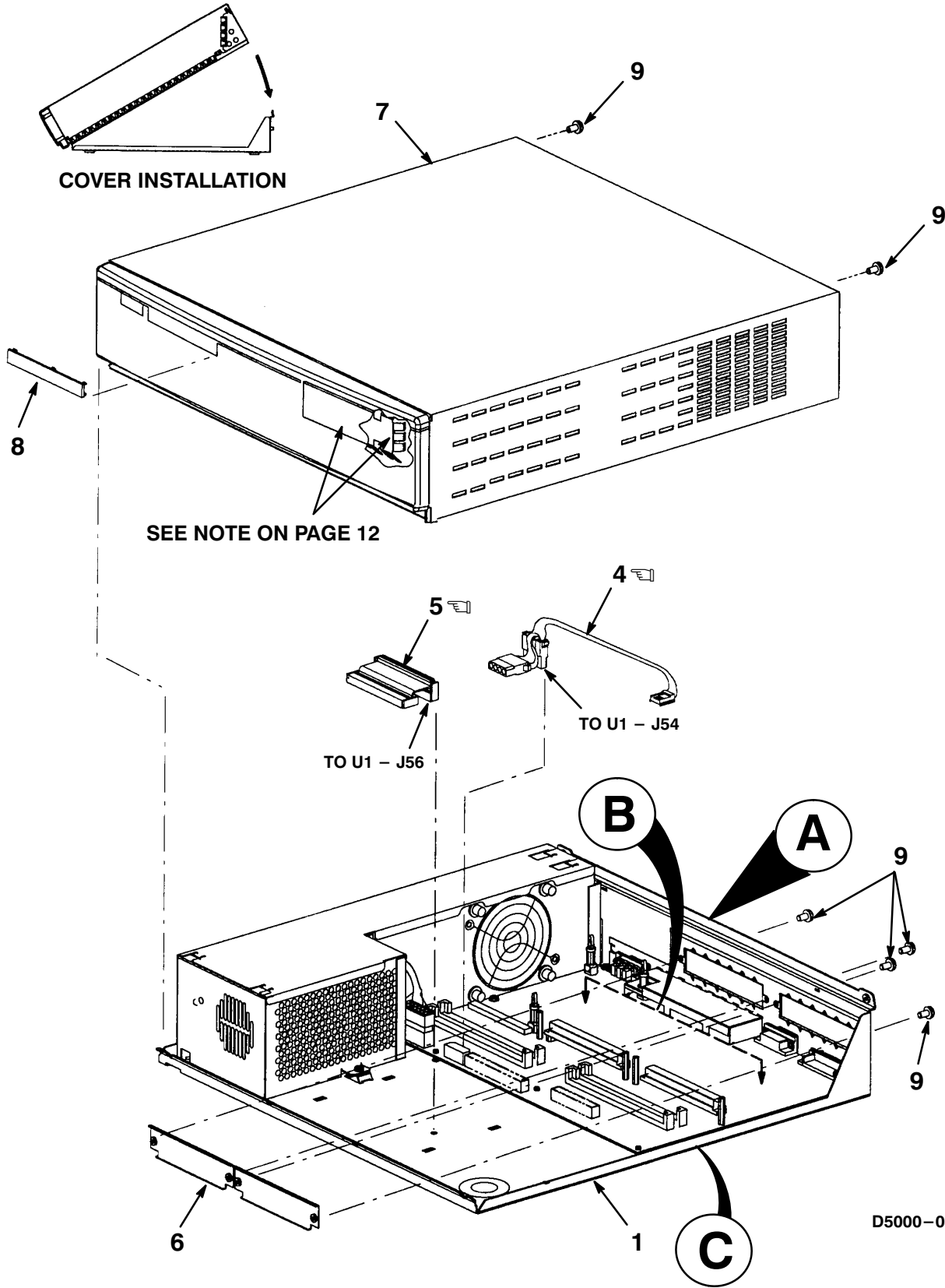
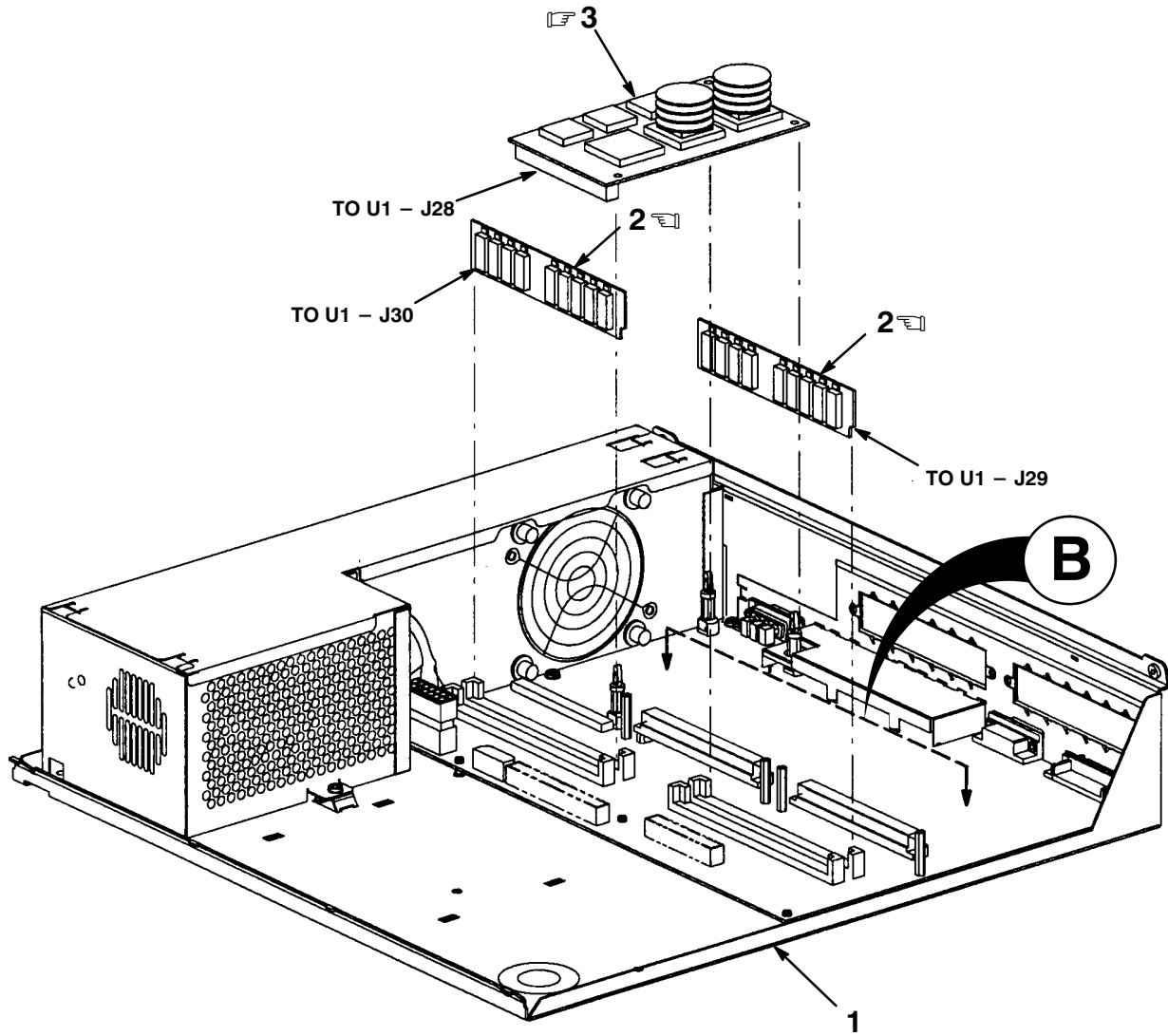


Figure 3. DECsystem 5000 Model 50 Server Kernel Assembly (Sheet 1 of 3)



INDICATES FRU LEVEL PARTS.

PARTS LIST



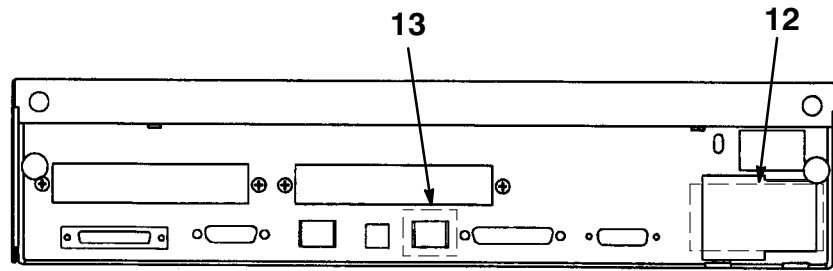
D5000-03A-SC

Figure 3. DECsystem 5000 Model 50 Server Kernel Assembly (Sheet 2 of 3)



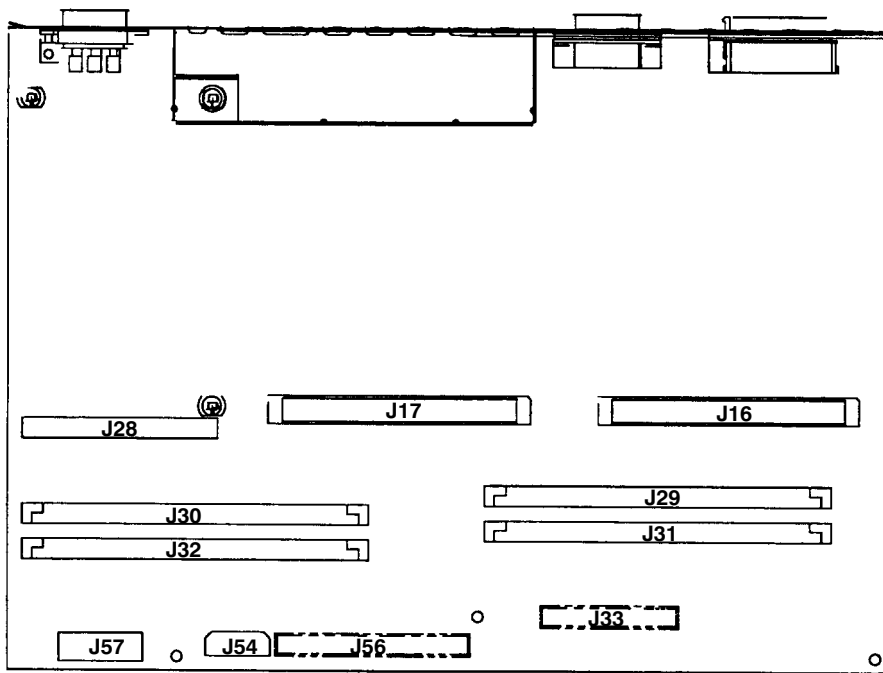
INDICATES FRU LEVEL PARTS.

PARTS LIST

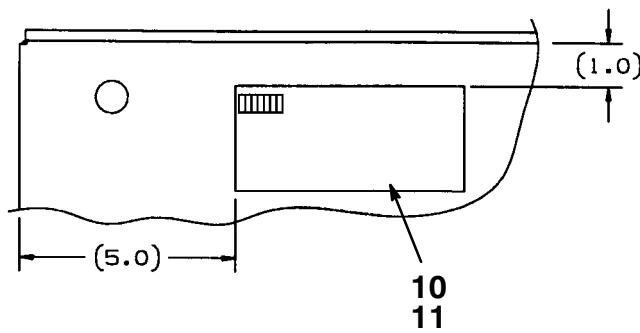


**A**

REAR VIEW



**B**



**C**

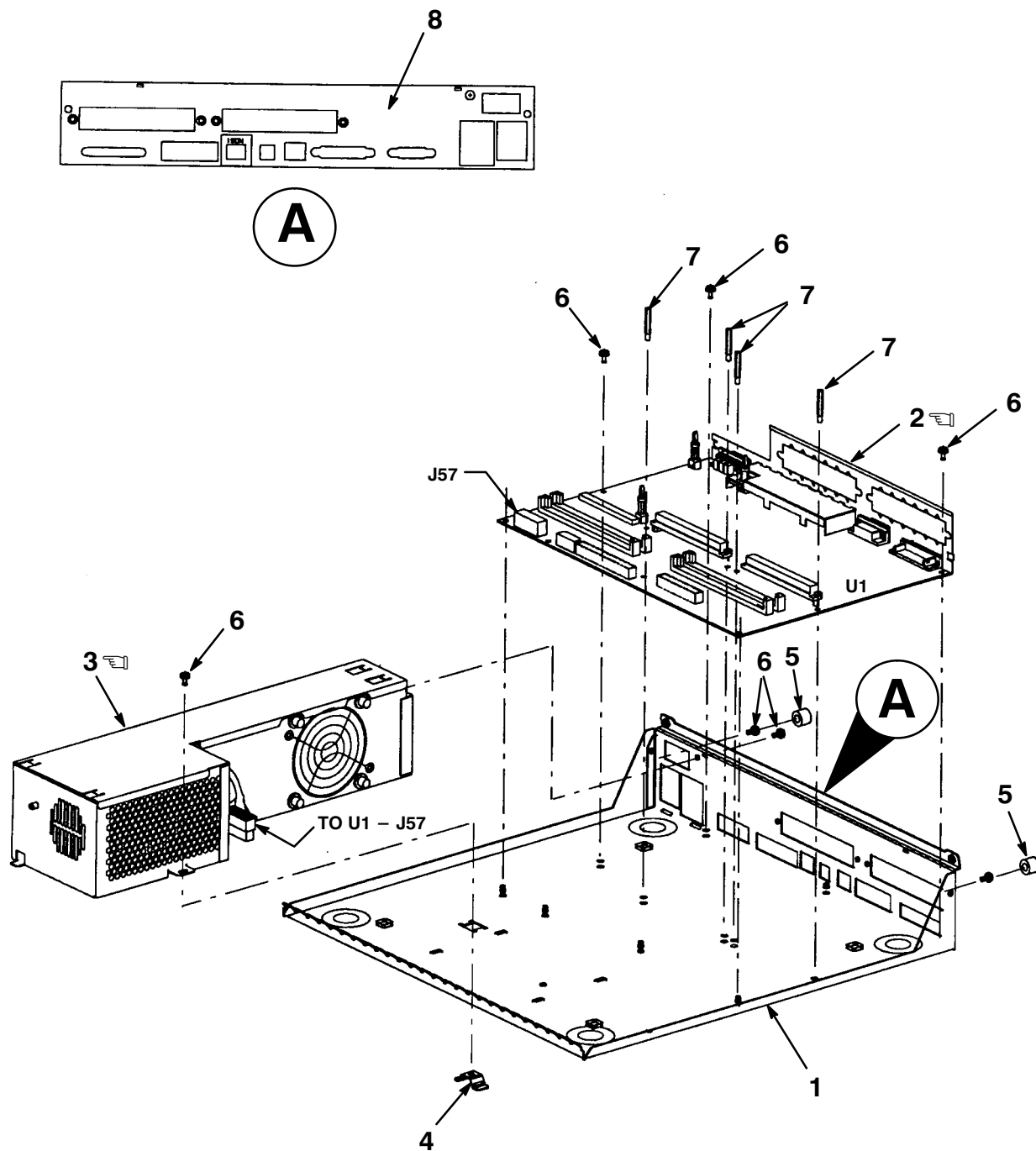
D5000-03B-SC

Figure 3. DECsystem 5000 Model 50 Server Kernel Assembly (Sheet 3 of 3)

FIG. & ITEM NO.	DESCRIPTION	DEC PART NO. <sup>A</sup>	ECO CUT-IN PM41B 00000	USED ON CODE	REF FIG NO.
3-	DECsystem 5000 MODEL 50 SERVER KERNEL ASSEMBLY	N/A			
	Code A – Model PM41B–AY (50 MHZ, 8 MB Memory, Diskless)	PM41B–AY		A	
	Code B – Model PM41B–CY (50 MHZ, 8 MB Memory, Diskless)	PM41B–CY		B	
1	*SYSTEM BOX ASSEMBLY, COMMON	70–28357–02			4
☞ 2	*Module, SIMM Hybrid Memory 4M x 18 Bit	57–34320–01		B	
☞ 3	*Module, R4000	54–21874–01			
☞ 4	*Wire Harness Assembly, 04 Cond, Flat	17–03357–01			
☞ 5	*Cable Assembly, 50 Cond, Flat	17–01626–05			
6	*Bulkhead Assembly, PM 300 Blank	74–41143–05			
7	*Cover Assembly, Top	70–28353–02			
8	*Medallion, DECstation 5000/50	74–41856–13			
9	*Screw, Self–Tap Pan Hd No. 6 x 1/4	90–00062–10			
10	*Label, “Regulatory” (U.S.)	36–35152–11			
11	*Label, “Regulatory” (U.K.)	36–35152–12			
12	*Label, “Attention Pre–Installed Software”	36–28979–01			
13	*Label, Blank, 1 Inch x 1 Inch	36–37572–01			
	ITEM (Not Shown)				
	*Package Assembly	37–01295–03			
	NOTE: For Units With Disk Drives, Remove Blank Bezel (74–46387–01), Then Remove Blank Shield (74–46395–01).				



INDICATES FRU LEVEL PARTS.



D5000-04-SC

Figure 4. System Box Assembly, Common

FIG. & ITEM NO.	DESCRIPTION	DEC PART NO. <sup>c</sup>	ECO CUT-IN 70-28357 00002	USED ON CODE	REF FIG NO.
4-	SYSTEM BOX ASSEMBLY, COMMON	70-28357-02			1,2,3
1	*Plate, Base	74-44241-02			
☞ 2	*Module, System	54-21325-01			
☞ 3	*Power Supply, 113W, 5.1V @ 15A, 12.1V @ 3A 120V/240V	H7817-AA			
4	*Bracket, Support	74-45825-01			
5	*Bumper	12-37642-01			
6	*Screw, Sems Pan Hd No. 6-32 x 5/16	90-00062-10			
7	*Standoff, Male/Female Hex	90-00001-71			
8	*Label, "I/O"	36-37156-01			

**DECsystem 5000 Model 150**

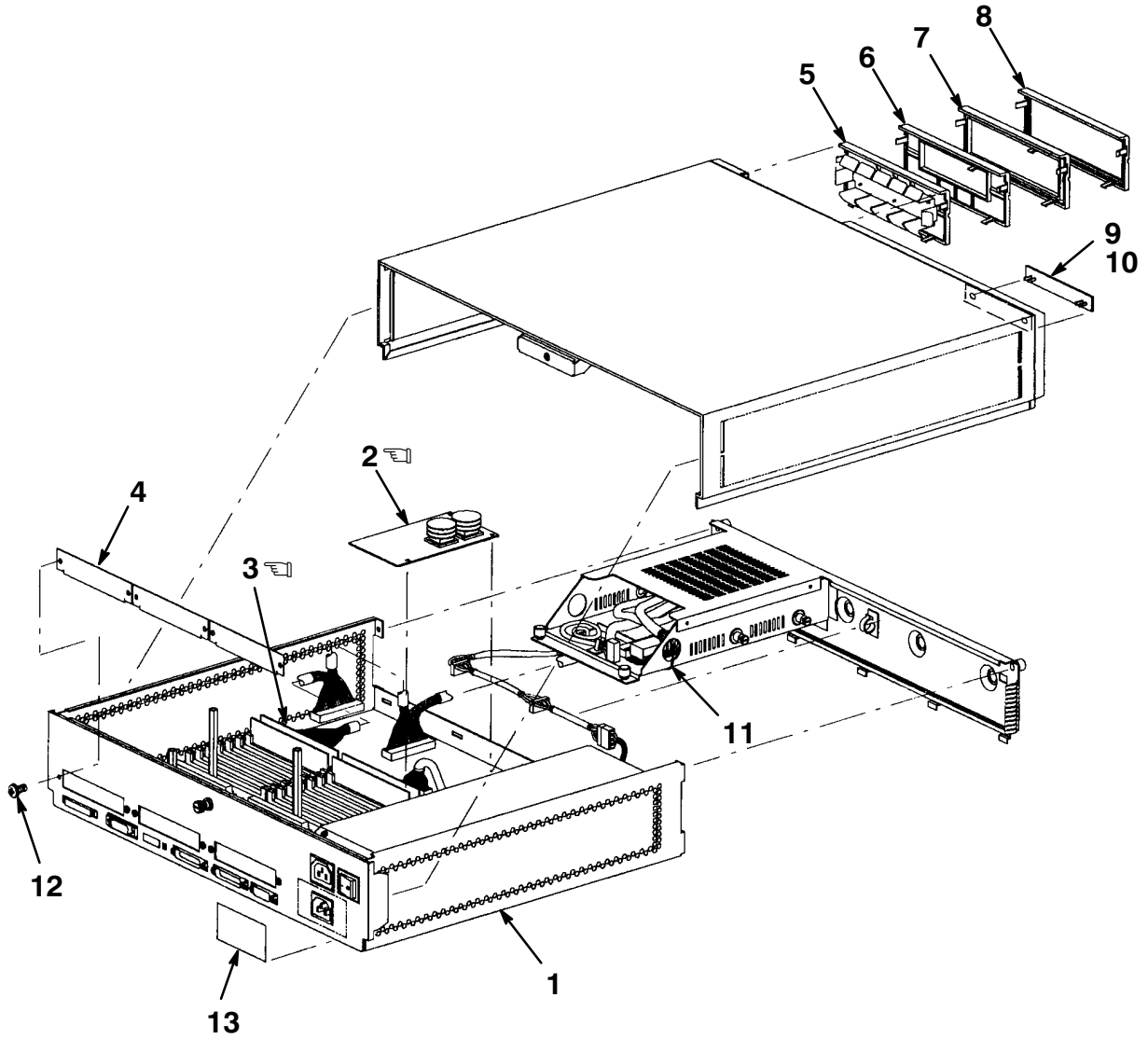
**DECstation 5000 Model 150**





INDICATES FRU LEVEL PARTS.

# PARTS LIST

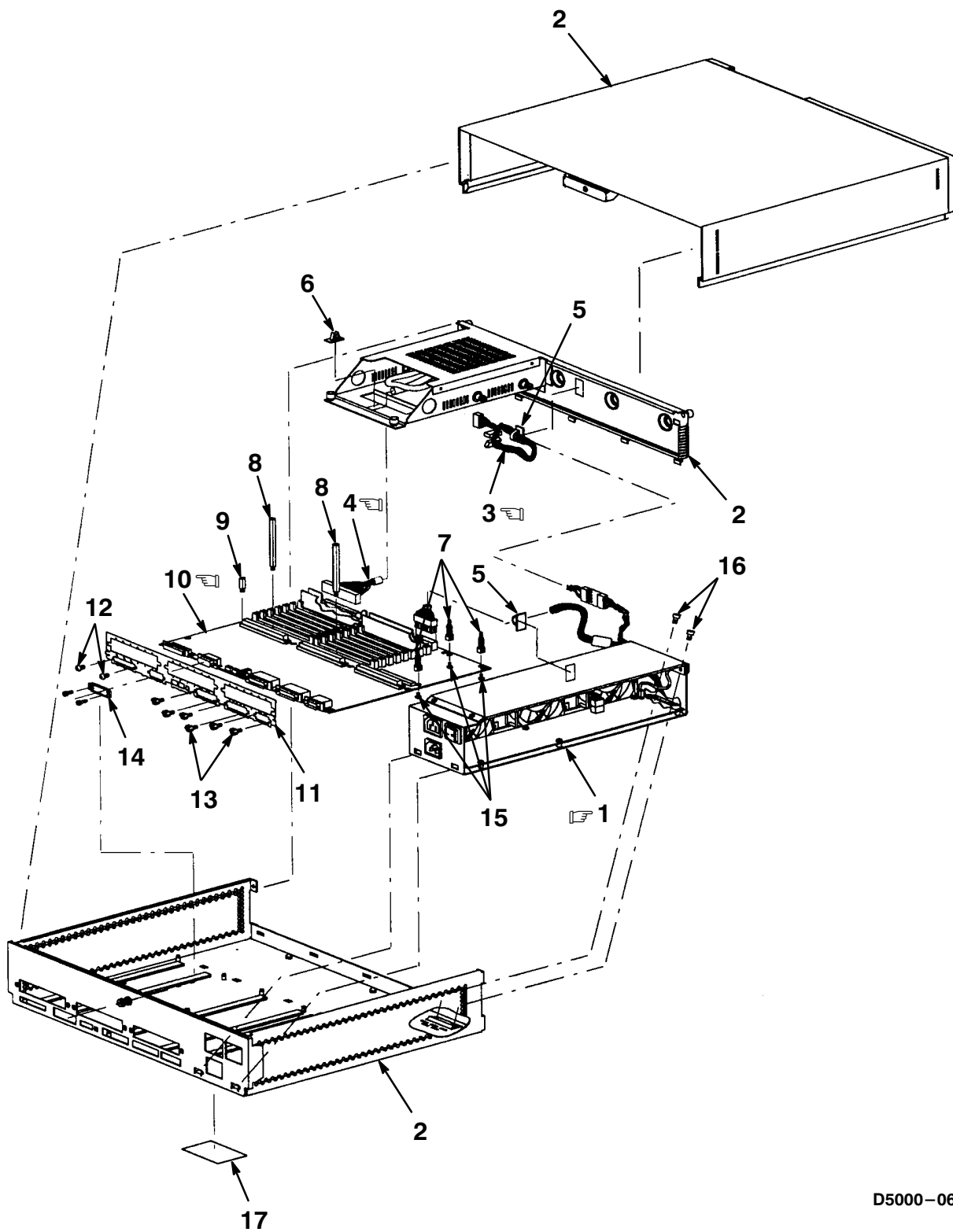


D5000-05-SC

Figure 5. DECsystem 5000 Model 150 Build-To-Order Server Kernel Assembly

FIG. & ITEM NO.	DESCRIPTION	DEC PART NO. <sup>A</sup>	ECO CUT-IN PM43B 00000	USED ON CODE	REF FIG NO.
5-	DECsystem 5000 MODEL 150 BUILD-TO-ORDER SERVER KERNEL ASSY.	PM43B-BY			
1	*SYSTEM BOX ASSEMBLY, DECstation 5000 MODEL 150	70-28322-04			6
☞ 2	*Module, R4000	54-21874-01			
☞ 3	*Module, SIMM Hybrid Memory 4M x 18 Bit	57-34320-01			
4	*Bulkhead Assembly, PM300 Blank	74-41143-05			
5	*Weldment, Blank Bezel, Insert	70-28345-01			
6	*Insert, Bezel, RX23	74-41143-05			
7	*Insert, Bezel, RRD42	74-42126-02			
8	*Insert, Bezel, TZK10	74-42126-04			
9	*Medallion, Snap-In, DECstation 5000/150	74-43093-08			
10	*Medallion, Snap-In, DECsystem 5000/150	74-43093-12			
11	*Tie, Cable	90-07032-00			
12	*Screw, Mach Pan Hd No. 6-32 x 1/4	90-00038-19			
13	*Label, "Attention Pre-Installed Software"	36-28979-01			
	ITEMS (Not Shown)				
	*Package Assembly	37-01210-01			
☞	*ACCESSORY KIT, DECstation 5000/150	70-28319-01			
	**Connector, D-Sub 15 Position	12-22196-02			
	**Connector, Adapter, 25 Pos D-Sub to 6 Pos	12-33190-01			
	**Wrist Strap, Grounding	12-24023-07			
	**Connector, Terminator	12-33626-01			
	**Cable Assembly, Jumper 03 Conductor	17-00365-19			
	**Power Cord	17-00442-25			
	**Cable Assembly, Molded, Shielded, D-Sub	17-02640-01			
	**Cable Assembly, Molded, Shielded, Twisted Pair	17-02641-02			
	**Label, "FTZ Postcard"	36-30422-54			
	**Screwdriver, Flat Blade	47-00042-00			
	**Screwdriver, Phillips	47-00043-00			
	**Bag, Poly Reclose	99-06557-36			

  INDICATES FRU LEVEL PARTS.



D5000-06-SC

Figure 6. System Box Assembly, DECstation 5000 Model 150

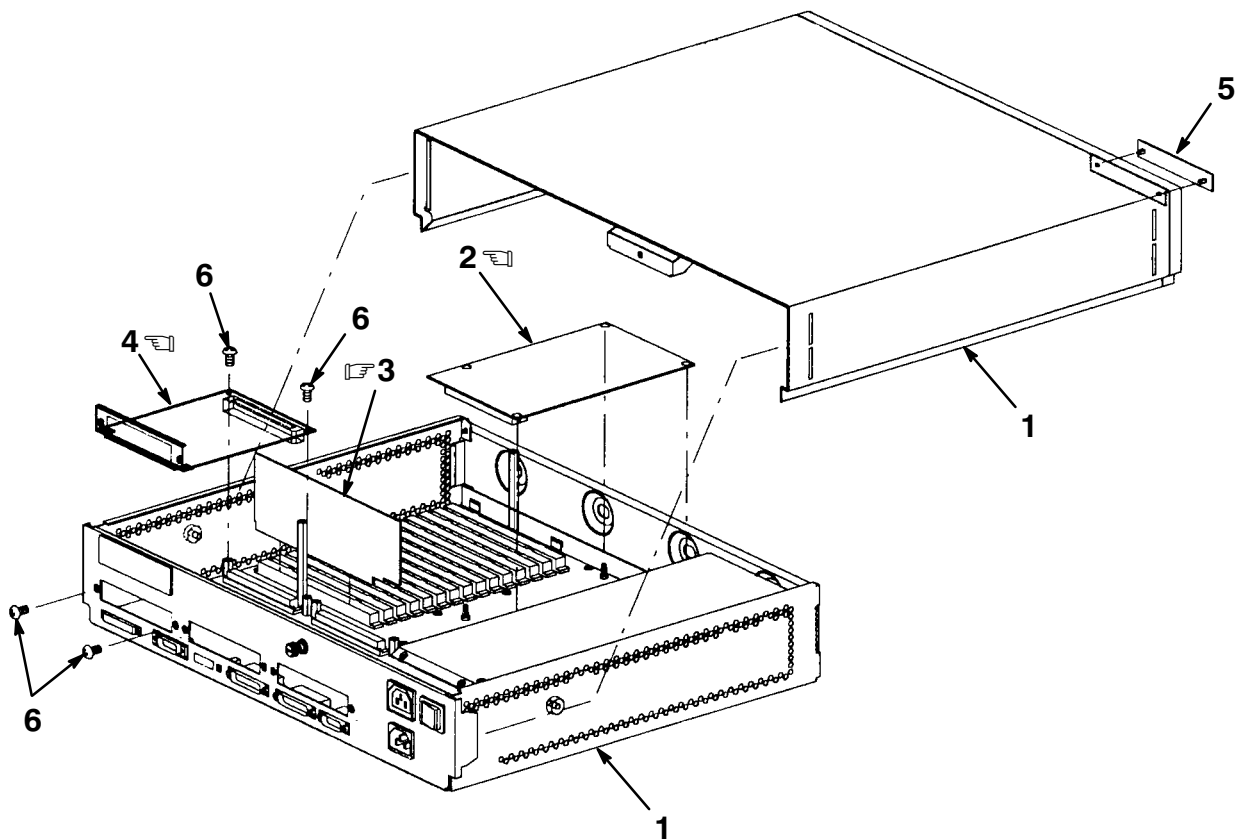
FIG. & ITEM NO.	DESCRIPTION	DEC PART NO. <sup>E</sup>	ECO CUT-IN 70-28322 00000	USED ON CODE	REF FIG NO.
6-	SYSTEM BOX ASSEMBLY, DECstation 5000 MODEL 150	70-28322-04			5
☞ 1	*Power Supply, 169W, 5.1V @ 21A, 12.1V @ 4.5A 120V/240V	H7826-AA			
2	*Kit, Enclosure Assembly	70-28363-01			
☞ 3	*Wire Harness Assembly, Daisy Chain	17-03064-01			
☞ 4	*Cable Assembly, Round, 4 IDC Conn, Term	17-03055-01			
5	*Clamp, Cable, Single Prong, Adhesive Mount	90-11246-01			
6	*Clamp, Cable, Dual Prong, Adhesive Mount	90-11247-01			
7	*Standoff, Round Nylon	12-35477-01			
8	*Standoff, Hex No. 6-32 x 1 1/2 Inch	90-00001-68			
9	*Standoff, Steel, Hex No. 6-32 x .665	12-33793-01			
☞ 10	*Module Assembly, System	70-28321-02			
11	*Shield, Rear Bulkhead	74-40476-02			
12	*Screw, Mach Pan Hd No. 4-40 x 3/16	90-08032-01			
13	*Screw, Lock	90-08451-12			
14	*Slide Latch Assembly	12-27576-02			
15	*Rivet, Push, Button	12-35477-02			
16	*Screw, Cap Hex Hd No. 6-32 x 1/4	90-08043-08			
17	*Label, "Regulatory" (U.S.)	36-35152-09			
	*Label, "Regulatory" (U.K.)	36-35152-10			



**DECstation 5000 Model 260**  
**DECsystem 5000 Model 260**



  INDICATES FRU LEVEL PARTS.



D5000-07-SC

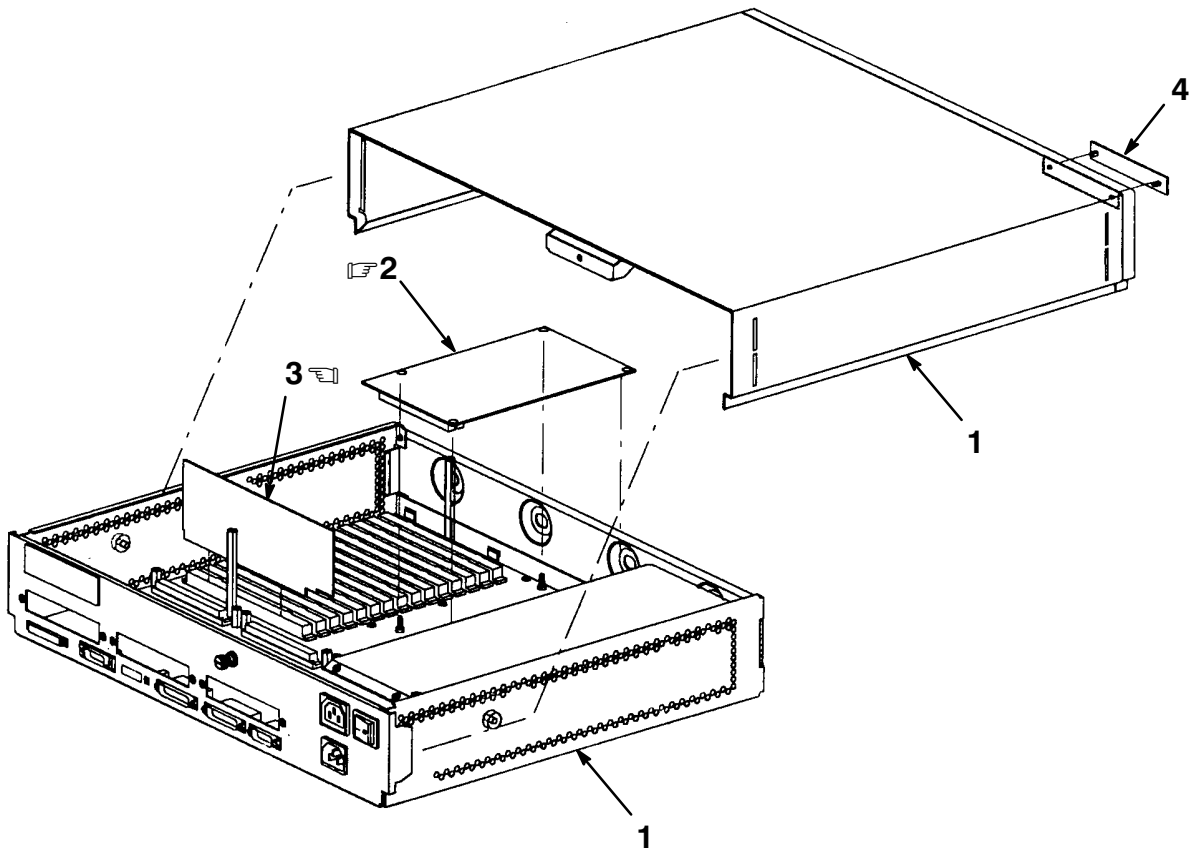
Figure 7. DECstation 5000 Model 260 Kernel Assembly

FIG. & ITEM NO.	DESCRIPTION	DEC PART NO. <sup>A</sup>	ECO CUT-IN PM48A 00000	USED ON CODE	REF FIG NO.
7-	DECstation 5000 MODEL 260 KERNEL ASSY. (60 MHZ, 32 MB Memory, Diskless, MS02-CA 32 MB ECC Memory, 4 Mbit DRAM Chip)	PM48A-CC			
1	*SYSTEM BOX ASSEMBLY, KN05-KA DESKTOP	70-28350-02			10
☞ 2	*Module, R4000	54-21872-02			
☞ 3	*Module, 32 MB Memory Option w/4 Mbit DRAM Chip	MS02-CA			
☞ 4	*Module, PE500 CXTURBO	54-21143-01			
5	*Medallion, DECstation 5000/260	74-43093-11			
6	*Screw, Mach Pan Hd No. 6-32 x 1/4	90-00038-19			
	ITEMS (Not Shown)				
	*Package Assembly	37-01210-01			
☞	*ACCESSORY KIT, KN03A-AA	70-28349-01			
	**Connector, D-Sub 15 Position	12-22196-02			
	**Connector, Adapter, 25 Pos D-Sub to 6 Pos	12-33190-01			
	**Wrist Strap, Grounding	12-36175-01			
	**Cable Assembly, Jumper 03 Conductor	17-00365-19			
	**Power Cord	17-00442-25			
	**Cable Assembly, Molded, Shielded, D-Sub	17-02640-01			
	**Cable Assembly, Molded, Shielded, Twisted Pair	17-02641-01			
	**Cable Assembly, Double Shielded Coaxial	17-02906-01			
	**Cable Assembly, Double Shielded Coaxial 750HM	17-03054-01			
	**Label, "FTZ Postcard"	36-30422-54			
	**Screwdriver, Flat Blade	47-00042-00			
	**Screwdriver, Phillips	47-00043-00			
	**Bag, Poly Reclose	99-06557-36			



INDICATES FRU LEVEL PARTS.

PARTS LIST

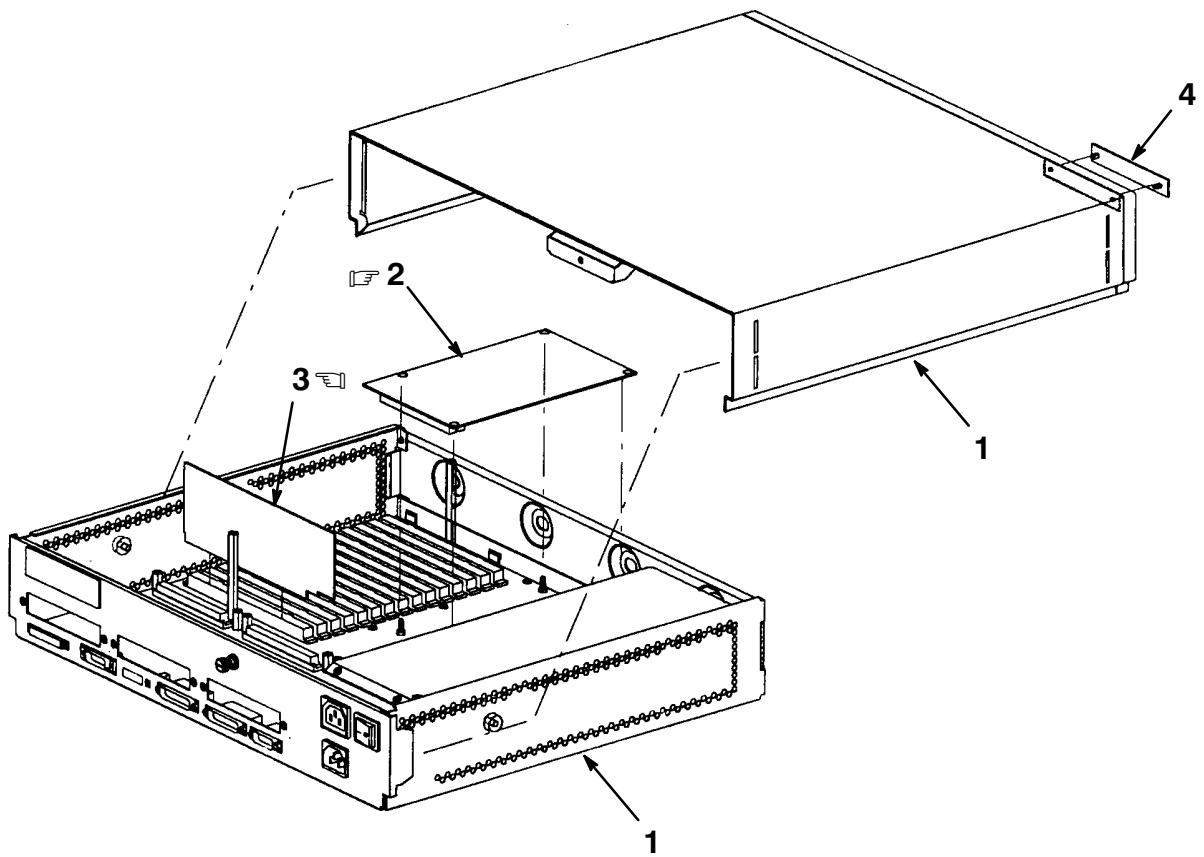


D5000-08-SC

Figure 8. DECstation 5000 Model 260 System Kernel Assembly

FIG. & ITEM NO.	DESCRIPTION	DEC PART NO. <sup>A</sup>	ECO CUT-IN PM48B 00000	USED ON CODE	REF FIG NO.
8-	DECstation 5000 MODEL 260 SYSTEM KERNEL ASSEMBLY (60 MHZ, 32 MB Memory, Diskless, MS02-CA, 32 MB ECC Memory, 4 Mbit DRAM Chip)	PM48B-CY			
1	*SYSTEM BOX ASSEMBLY, KN05-KA DESKTOP	70-28350-02			10
☞ 2	*Module, R4000	54-21872-02			
☞ 3	*Module, 32 MB Memory Option w/4 Mbit DRAM Chip	MS02-CA			
4	*Medallion, DECstation 5000/260	74-43093-11			
5	*Screw, Mach Pan Hd No. 6-32 x 1/4 (Not Shown)	90-00038-19			
	ITEMS (Not Shown)				
	*Package Assembly	37-01219-01			
☞	*ACCESSORY KIT, KN03A-AA	70-28349-03			
	**Connector, D-Sub 15 Position	12-22196-02			
	**Connector, Adapter, 25 Pos D-Sub to 6 Pos	12-33190-01			
	**Wrist Strap, Grounding	12-36175-01			
	**Cable Assembly, Jumper 03 Conductor	17-00365-19			
	**Power Cord	17-00442-25			
	**Cable Assembly, Molded, Shielded, D-Sub	17-02640-01			
	**Cable Assembly, Molded, Shielded, Twisted Pair	17-02641-01			
	**Label, "FTZ Postcard"	36-30422-54			
	**Screwdriver, Flat Blade	47-00042-00			
	**Screwdriver, Phillips	47-00043-00			
	**Bag, Poly Reclose	99-06557-36			

  INDICATES FRU LEVEL PARTS.



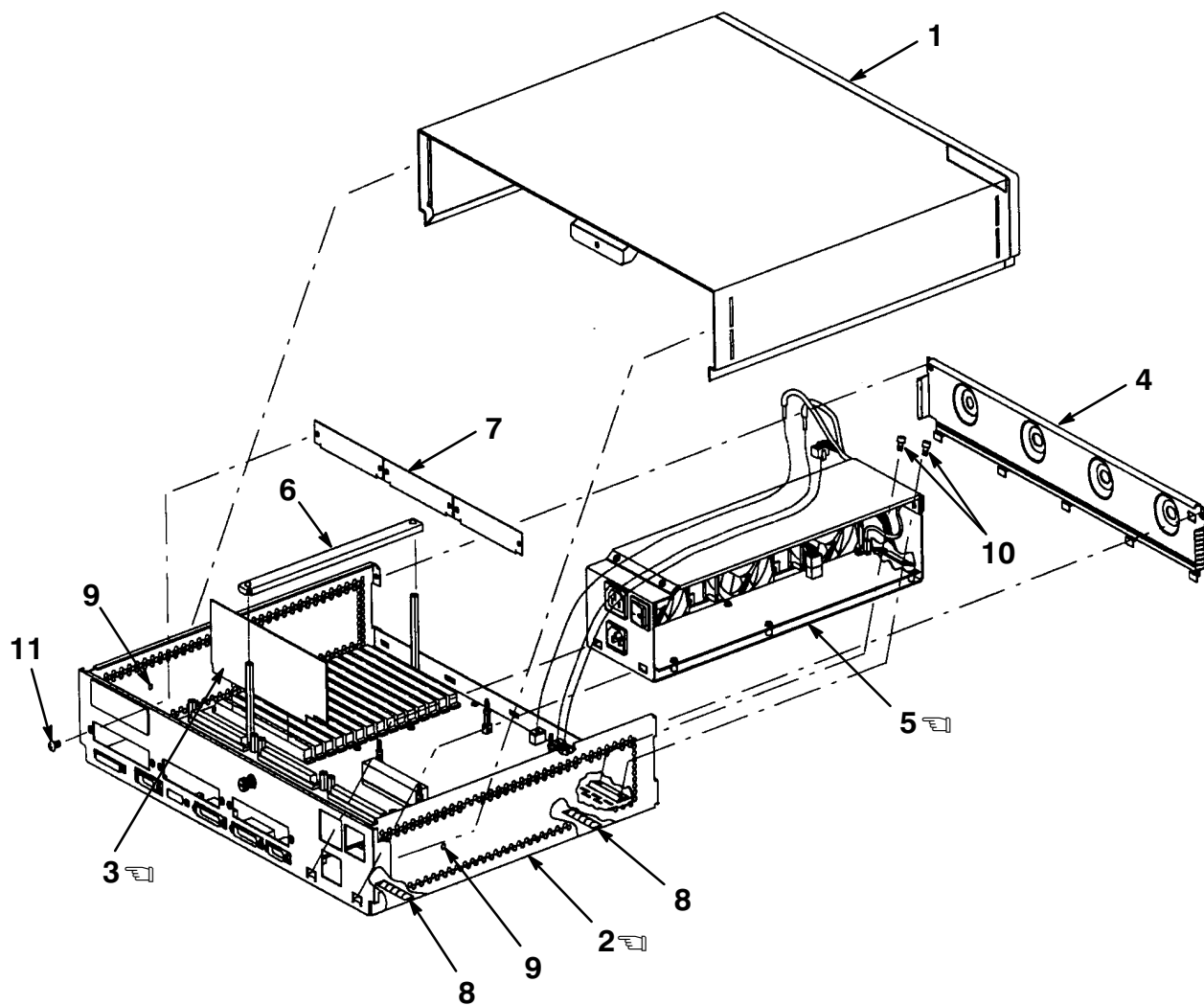
D5000-09-SC

**Figure 9. DECsystem 5000 Model 260 Server Kernel Assembly**

FIG. & ITEM NO.	DESCRIPTION	DEC PART NO. <sup>A</sup>	ECO CUT-IN PM49B 00000	USED ON CODE	REF FIG NO.
9-	DECsystem 5000 MODEL 260 SERVER KERNEL ASSEMBLY (60 MHZ, 32 MB Memory, Diskless, MS02-CA, 32 MB ECC Memory, 4 Mbit DRAM Chip)	PM49B-CY			
1	*SYSTEM BOX ASSEMBLY, KN05-KA DESKTOP	70-28350-02			10
☞ 2	*Module, R4000	54-21872-02			
☞ 3	*Module, 32 MB Memory Option w/4 Mbit DRAM Chip	MS02-CA			
4	*Medallion, DECsystem 5000/260	74-43093-15			
5	*Screw, Mach Pan Hd No. 6-32 x 1/4 (Not Shown)	90-00038-19			
	ITEMS (Not Shown)				
	*Package Assembly	37-01219-01			
☞	*ACCESSORY KIT, KN03A-AA	70-28349-03			
	**Connector, D-Sub 15 Position	12-22196-02			
	**Connector, Adapter, 25 Pos D-Sub to 6 Pos	12-33190-01			
	**Wrist Strap, Grounding	12-36175-01			
	**Cable Assembly, Jumper 03 Conductor	17-00365-19			
	**Power Cord	17-00442-25			
	**Cable Assembly, Molded, Shielded, D-Sub	17-02640-01			
	**Cable Assembly, Molded, Shielded, Twisted Pair	17-02641-01			
	**Label, "FTZ Postcard"	36-30422-54			
	**Screwdriver, Flat Blade	47-00042-00			
	**Screwdriver, Phillips	47-00043-00			
	**Bag, Poly Reclose	99-06557-36			



☞ ☞ INDICATES FRU LEVEL PARTS.

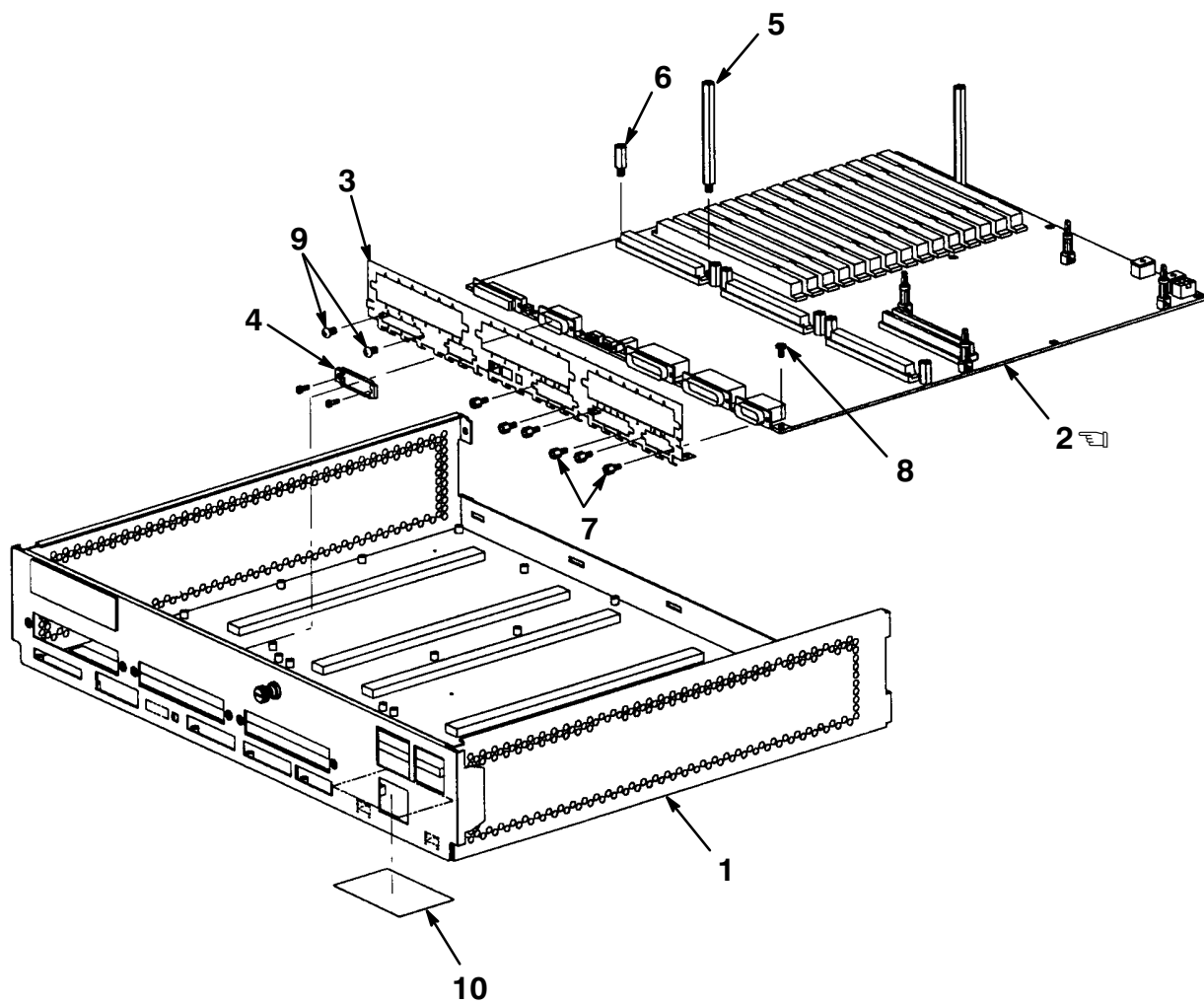


D5000-10-SC

Figure 10. System Box Assembly, KN05-KA

FIG. & ITEM NO.	DESCRIPTION	DEC PART NO. <sup>B</sup>	ECO CUT-IN 70-28350 00001	USED ON CODE	REF FIG NO.
10-	SYSTEM BOX ASSEMBLY, KN05-KA DESKTOP	70-28350-02			7,8,9
1	*Enclosure Assembly, PM300 Top	70-27053-01			
☞ 2	*SYSTEM MODULE w/ENCLOSURE	70-28348-02			11
☞ 3	*Module, 32 MB Memory Option w/4 Mbit DRAM Chip	MS02-CA			
	*Module, 8 MB Memory Option w/4 Mbit DRAM Chip	MS02L-AB			
4	*Door Assembly, PM300 Front	70-27056-01			
☞ 5	*Power Supply, 244W, 5V @ 40A	30-32506-01			
6	*Brace Assembly, Memory	74-40842-01			
7	*Bulkhead Assembly, PM 300 Blank	74-41143-05			
8	*Shield, EMI/RFI	12-37853-02			
9	*Foot, Assembly w/Push Rivet	90-11357-01			
10	*Screw, Cap Hex Hd No. 6-32 x 1/4	90-08043-08			
11	*Screw, Mach Pan Hd No. 6-32 x 1/4	90-00038-19			

  INDICATES FRU LEVEL PARTS.



D5000-11-SC

Figure 11. System Module w/Enclosure

FIG. & ITEM NO.	DESCRIPTION	DEC PART NO. <sup>c</sup>	ECO CUT-IN 7028348 00002	USED ON CODE	REF FIG NO.
11-	☞ SYSTEM MODULE w/ENCLOSURE	70-28348-02			10
1	*Enclosure Assembly, Bottom	70-28347-01			
☞ 2	*Module, System	54-20617-01			
3	*Shield, Rear Bulkhead	74-40476-03			
4	*Latch Assembly, Slide	12-27576-02			
5	*Standoff, Male/Female Hex No. 6-32 x 3.0 Inch	90-00001-66			
6	*Standoff, Steel, Hex No. 6-32 x .665	12-33793-01			
7	*Screw, Lock	90-08451-12			
8	*Screw, Filister No. 6-32 x 1/4	90-11139-01			
9	*Screw, Mach Pan Hd No. 4-40 x 3/16	90-08032-01			
10	*Label, "Regulatory, DECstation 5000" (U.S.)	36-35152-13			
	*Label, "Regulatory, DECstation 5000" (U.K.)	36-35152-14			
					Ω

**PART NUMBER/DESCRIPTION INDEX** 

**THIS PAGE INTENTIONALLY LEFT BLANK**

**INDEX BY DEC PART NUMBER**  
**DECstation/DECsystem 5000 Models 50/150/260**

PART NO.	DESCRIPTION	FIG NO.	ITEM NO.
12-22196-02	Connector, D-Sub 15 Position	5	Not Shown
12-22196-02	Connector, D-Sub 15 Position	7	Not Shown
12-22196-02	Connector, D-Sub 15 Position	8	Not Shown
12-22196-02	Connector, D-Sub 15 Position	9	Not Shown
12-24023-07	Wrist Strap, Grounding	5	Not Shown
12-27576-02	Latch Assembly, Slide	11	4
12-27576-02	Slide Latch Assembly	6	14
12-33190-01	Connector, Adapter, 25 Pos D-Sub to 6 Pos	5	Not Shown
12-33190-01	Connector, Adapter, 25 Pos D-Sub to 6 Pos	7	Not Shown
12-33190-01	Connector, Adapter, 25 Pos D-Sub to 6 Pos	8	Not Shown
12-33190-01	Connector, Adapter, 25 Pos D-Sub to 6 Pos	9	Not Shown
12-33626-01	Connector, Terminator	5	Not Shown
12-33793-01	Standoff, Steel, Hex No. 6-32 x .665	11	6
12-33793-01	Standoff, Steel, Hex No. 6-32 x .665	6	9
12-35477-01	Standoff, Round Nylon	6	7
12-35477-02	Rivet, Push, Button	6	15
12-36175-01	Wrist Strap, Grounding	7	Not Shown
12-36175-01	Wrist Strap, Grounding	8	Not Shown
12-36175-01	Wrist Strap, Grounding	9	Not Shown
12-37642-01	Bumper	4	5
12-37853-02	Shield, EMI/RFI	10	8
17-00365-19	Cable Assembly, Jumper 03 Conductor	5	Not Shown
17-00365-19	Cable Assembly, Jumper 03 Conductor	7	Not Shown
17-00365-19	Cable Assembly, Jumper 03 Conductor	8	Not Shown
17-00365-19	Cable Assembly, Jumper 03 Conductor	9	Not Shown
17-00442-25	Power Cord	5	Not Shown
17-00442-25	Power Cord	7	Not Shown
17-00442-25	Power Cord	8	Not Shown
17-00442-25	Power Cord	9	Not Shown
17-01626-05	Cable Assembly, 50 Cond, Flat	1	5
17-01626-05	Cable Assembly, 50 Cond, Flat	2	4
17-01626-05	Cable Assembly, 50 Cond, Flat	3	5
17-02640-01	Cable Assembly, Molded, Shielded, D-Sub	5	Not Shown
17-02640-01	Cable Assembly, Molded, Shielded, D-Sub	7	Not Shown
17-02640-01	Cable Assembly, Molded, Shielded, D-Sub	8	Not Shown
17-02640-01	Cable Assembly, Molded, Shielded, D-Sub	9	Not Shown
17-02641-01	Cable Assembly, Molded, Shielded, Twisted Pair	7	Not Shown
17-02641-01	Cable Assembly, Molded, Shielded, Twisted Pair	8	Not Shown
17-02641-01	Cable Assembly, Molded, Shielded, Twisted Pair	9	Not Shown
17-02641-02	Cable Assembly, Molded, Shielded, Twisted Pair	5	Not Shown
17-02906-01	Cable Assembly, Double Shielded Coaxial	7	Not Shown
17-03054-01	Cable Assembly, Double Shielded Coaxial 750HM	7	Not Shown
17-03055-01	Cable Assembly, Round, 4 IDC Conn, Term	6	4
17-03064-01	Wire Harness Assembly, Daisy Chain	6	3
17-03357-01	Wire Harness Assembly, 04 Cond, 22 AWG	1	4
17-03357-01	Wire Harness Assembly, 04 Cond, 22 AWG	2	3
17-03357-01	Wire Harness Assembly, 04 Cond, Flat	3	4
30-32506-01	Power Supply, 244W, 5V @ 40A	10	5
36-28979-01	Label, "Attention Pre-Installed Software"	1	13
36-28979-01	Label, "Attention Pre-Installed Software"	2	11
36-28979-01	Label, "Attention Pre-Installed Software"	3	12
36-28979-01	Label, "Attention Pre-Installed Software"	5	13

**INDEX BY DEC PART NUMBER**  
DECstation/DECsystem 5000 Models 50/150/260

PART NO.	DESCRIPTION	FIG NO.	ITEM NO.
36-30422-54	Label, "FTZ Postcard"	5	Not Shown
36-30422-54	Label, "FTZ Postcard"	7	Not Shown
36-30422-54	Label, "FTZ Postcard"	8	Not Shown
36-30422-54	Label, "FTZ Postcard"	9	Not Shown
36-35152-09	Label, "Regulatory" (U.S.)	6	17
36-35152-10	Label, "Regulatory" (U.K.)	6	17
36-35152-11	Label, "Regulatory" (U.S.)	1	11
36-35152-11	Label, "Regulatory" (U.S.)	2	9
36-35152-11	Label, "Regulatory" (U.S.)	3	10
36-35152-12	Label, "Regulatory" (U.K.)	1	12
36-35152-12	Label, "Regulatory" (U.K.)	2	10
36-35152-12	Label, "Regulatory" (U.K.)	3	11
36-35152-13	Label, "Regulatory, DECstation 5000" (U.S.)	11	10
36-35152-14	Label, "Regulatory, DECstation 5000" (U.K.)	11	10
36-37156-01	Label, "I/O"	4	8
36-37572-01	Label, Blank, 1 Inch x 1 Inch	1	14
36-37572-01	Label, Blank, 1 Inch x 1 Inch	2	12
36-37572-01	Label, Blank, 1 Inch x 1 Inch	3	13
37-01210-01	Package Assembly	5	Not Shown
37-01210-01	Package Assembly	7	Not Shown
37-01219-01	Package Assembly	8	Not Shown
37-01219-01	Package Assembly	9	Not Shown
37-01295-03	Package Assembly	1	Not Shown
37-01295-03	Package Assembly	2	Not Shown
37-01295-03	Package Assembly	3	Not Shown
47-00042-00	Screwdriver, Flat Blade	5	Not Shown
47-00042-00	Screwdriver, Flat Blade	7	Not Shown
47-00042-00	Screwdriver, Flat Blade	8	Not Shown
47-00042-00	Screwdriver, Flat Blade	9	Not Shown
47-00043-00	Screwdriver, Phillips	5	Not Shown
47-00043-00	Screwdriver, Phillips	7	Not Shown
47-00043-00	Screwdriver, Phillips	8	Not Shown
47-00043-00	Screwdriver, Phillips	9	Not Shown
54-20617-01	Module, System	11	2
54-21143-01	Module, PE500 CXTURBO	7	4
54-21325-01	Module, System	4	2
54-21872-02	Module, R4000	7	2
54-21872-02	Module, R4000	8	2
54-21872-02	Module, R4000	9	2
54-21874-01	Module, R4000	1	3
54-21874-01	Module, R4000	2	2
54-21874-01	Module, R4000	3	3
54-21874-01	Module, R4000	5	2
57-34320-01	Module, SIMM Hybrid Memory 4M x 18 Bit	1	2
57-34320-01	Module, SIMM Hybrid Memory 4M x 18 Bit	3	2
57-34320-01	Module, SIMM Hybrid Memory 4M x 18 Bit	5	3
70-27053-01	Enclosure Assembly, PM300 Top	10	1
70-27056-01	Door Assembly, PM300 Front	10	4
70-28319-01	ACCESSORY KIT, DECstation 5000/150	5	Not Shown
70-28321-02	Module Assembly, System	6	10
70-28322-04	SYSTEM BOX ASSEMBLY, DECstation 5000 MODEL 150	5	1
70-28322-04	SYSTEM BOX ASSEMBLY, DECstation 5000 MODEL 150	6	N/A



**INDEX BY DEC PART NUMBER**  
**DECstation/DECsystem 5000 Models 50/150/260**

PART NO.	DESCRIPTION	FIG NO.	ITEM NO.
70-28345-01	Weldment, Blank Bezel, Insert	5	5
70-28347-01	Enclosure Assembly, Bottom	11	1
70-28348-02	SYSTEM MODULE w/ENCLOSURE	10	2
70-28348-02	SYSTEM MODULE w/ENCLOSURE	11	N/A
70-28349-01	ACCESSORY KIT, KN03A-AA	7	Not Shown
70-28349-03	ACCESSORY KIT, KN03A-AA	8	Not Shown
70-28349-03	ACCESSORY KIT, KN03A-AA	9	Not Shown
70-28350-02	SYSTEM BOX ASSEMBLY, KN05-KA DESKTOP	10	N/A
70-28350-02	SYSTEM BOX ASSEMBLY, KN05-KA DESKTOP	7	1
70-28350-02	SYSTEM BOX ASSEMBLY, KN05-KA DESKTOP	8	1
70-28350-02	SYSTEM BOX ASSEMBLY, KN05-KA DESKTOP	9	1
70-28353-02	Cover Assembly, Top	1	8
70-28353-02	Cover Assembly, Top	2	6
70-28353-02	Cover Assembly, Top	3	7
70-28357-02	SYSTEM BOX ASSEMBLY, COMMON	1	1
70-28357-02	SYSTEM BOX ASSEMBLY, COMMON	2	1
70-28357-02	SYSTEM BOX ASSEMBLY, COMMON	3	1
70-28357-02	SYSTEM BOX ASSEMBLY, COMMON	4	N/A
70-28363-01	Kit, Enclosure Assembly	6	2
74-40476-02	Shield, Rear Bulkhead	6	11
74-40476-03	Shield, Rear Bulkhead	11	3
74-40842-01	Brace Assembly, Memory	10	6
74-41143-05	Bulkhead Assembly, PM 300 Blank	10	7
74-41143-05	Bulkhead Assembly, PM 300 Blank	3	6
74-41143-05	Bulkhead Assembly, PM300 Blank	1	7
74-41143-05	Bulkhead Assembly, PM300 Blank	2	5
74-41143-05	Bulkhead Assembly, PM300 Blank	5	4
74-41143-05	Insert, Bezel, RX23	5	6
74-41856-13	Medallion, DECstation 5000/50	1	9
74-41856-13	Medallion, DECstation 5000/50	2	7
74-41856-13	Medallion, DECstation 5000/50	3	8
74-42126-02	Insert, Bezel, RRD42	5	7
74-42126-04	Insert, Bezel, TZK10	5	8
74-43093-08	Medallion, Snap-In, DECstation 5000/150	5	9
74-43093-11	Medallion, DECstation 5000/260	7	5
74-43093-11	Medallion, DECstation 5000/260	8	4
74-43093-12	Medallion, Snap-In, DECsystem 5000/150	5	10
74-43093-15	Medallion, DECsystem 5000/260	9	4
74-44241-02	Plate, Base	4	1
74-45825-01	Bracket, Support	4	4
90-00001-66	Standoff, Male/Female Hex No. 6-32 x 3.0 Inch	11	5
90-00001-68	Standoff, Hex No. 6-32 x 1 1/2 Inch	6	8
90-00001-71	Standoff, Male/Female Hex	4	7
90-00038-19	Screw, Mach Pan Hd No. 6-32 x 1/4	10	11
90-00038-19	Screw, Mach Pan Hd No. 6-32 x 1/4	5	12
90-00038-19	Screw, Mach Pan Hd No. 6-32 x 1/4	7	6
90-00038-19	Screw, Mach Pan Hd No. 6-32 x 1/4 (Not Shown)	8	5
90-00038-19	Screw, Mach Pan Hd No. 6-32 x 1/4 (Not Shown)	9	5
90-00062-10	Screw, Self-Tap Pan Hd No. 6 x 1/4	1	10
90-00062-10	Screw, Self-Tap Pan Hd No. 6 x 1/4	2	8
90-00062-10	Screw, Self-Tap Pan Hd No. 6 x 1/4	3	9
90-00062-10	Screw, Sems Pan Hd No. 6-32 x 5/16	4	6
90-07032-00	Tie, Cable	5	11

**INDEX BY DEC PART NUMBER**  
**DECstation/DECsystem 5000 Models 50/150/260**

PART NO.	DESCRIPTION	FIG NO.	ITEM NO.
90-08032-01	Screw, Mach Pan Hd No. 4-40 x 3/16	11	9
90-08032-01	Screw, Mach Pan Hd No. 4-40 x 3/16	6	12
90-08043-08	Screw, Cap Hex Hd No. 6-32 x 1/4	10	10
90-08043-08	Screw, Cap Hex Hd No. 6-32 x 1/4	6	16
90-08451-12	Screw, Lock	11	7
90-08451-12	Screw, Lock	6	13
90-11139-01	Screw, Filister No. 6-32 x 1/4	11	8
90-11246-01	Clamp, Cable, Single Prong, Adhesive Mount	6	5
90-11247-01	Clamp, Cable, Dual Prong, Adhesive Mount	6	6
90-11357-01	Foot, Assembly w/Push Rivet	10	9
99-06557-36	Bag, Poly Reclose	5	Not Shown
99-06557-36	Bag, Poly Reclose	7	Not Shown
99-06557-36	Bag, Poly Reclose	8	Not Shown
99-06557-36	Bag, Poly Reclose	9	Not Shown
H7817-AA	Power Supply, 113W, 5.1V @ 15A, 12.1V @ 3A 120V/240V	4	3
H7826-AA	Power Supply, 169W, 5.1V @ 21A, 12.1V @ 4.5A 120V/240V	6	1
MS02-CA	Module, 32 MB Memory Option w/4 Mbit DRAM Chip	10	3
MS02-CA	Module, 32 MB Memory Option w/4 Mbit DRAM Chip	7	3
MS02-CA	Module, 32 MB Memory Option w/4 Mbit DRAM Chip	8	3
MS02-CA	Module, 32 MB Memory Option w/4 Mbit DRAM Chip	9	3
MS02L-AB	Module, 8 MB Memory Option w/4 Mbit DRAM Chip	10	3
PM40A-AP	Model PM40A-AP (50 MHZ, 8 MB Memory, Base Graphics RZ25 Disk Drive)	1	N/A
PM40A-CP	Model PM40A-CP (50 MHZ, 8 MB Memory, 1 MS01-CA, 16 MB Parity Memory, 4 Mbit DRAM Chip)	1	N/A
PM40B-AY	PERSONAL DECstation 5000 MODEL 50 SYSTEM KERNEL ASSEMBLY (50 MHZ, 8 MB Memory, Base Graphics, Diskless)	2	N/A
PM41B-AY	Model PM41B-AY (50 MHZ, 8 MB Memory, Diskless)	3	N/A
PM41B-CY	Model PM41B-CY (50 MHZ, 8 MB Memory, Diskless)	3	N/A
PM43B-BY	DECsystem 5000 MODEL 150 BUILD-TO-ORDER SERVER KERNEL ASSY.	5	N/A
PM48A-CC	DECstation 5000 MODEL 260 KERNEL ASSY. (60 MHZ, 32 MB Memory, Diskless, MS02-CA, 32 MB ECC Memory, 4 Mbit DRAM Chip)	7	N/A
PM48B-CY	DECstation 5000 MODEL 260 SYSTEM KERNEL ASSY. (60 MHZ, 32 MB Memory, Diskless, MS02-CA, 32 MB ECC Memory, 4 Mbit DRAM Chip)	8	N/A
PM49B-CY	DECsystem 5000 MODEL 260 SERVER KERNEL ASSY. (60 MHZ, 32 MB Memory, Diskless, MS02-CA, 32 MB ECC Memory, 4 Mbit DRAM Chip)	9	N/A
RZ25-EP	Disk Drive Assembly, 3 1/2 Inch SCSI, 426 MB	1	6

**INDEX BY DEC PART DESCRIPTION**  
**DECstation/DECsystem 5000 Models 50/150/260**

DESCRIPTION	DEC PART NO.	FIG. NO.	ITEM NO.
ACCESSORY KIT, DECstation 5000/150	70-28319-01	5	Not Shown
ACCESSORY KIT, KN03A-AA	70-28349-01	7	Not Shown
ACCESSORY KIT, KN03A-AA	70-28349-03	8	Not Shown
ACCESSORY KIT, KN03A-AA	70-28349-03	9	Not Shown
Bag, Poly Reclose	99-06557-36	5	Not Shown
Bag, Poly Reclose	99-06557-36	7	Not Shown
Bag, Poly Reclose	99-06557-36	8	Not Shown
Bag, Poly Reclose	99-06557-36	9	Not Shown
Brace Assembly, Memory	74-40842-01	10	6
Bracket, Support	74-45825-01	4	4
Bulkhead Assembly, PM 300 Blank	74-41143-05	10	7
Bulkhead Assembly, PM 300 Blank	74-41143-05	3	6
Bulkhead Assembly, PM300 Blank	74-41143-05	1	7
Bulkhead Assembly, PM300 Blank	74-41143-05	2	5
Bulkhead Assembly, PM300 Blank	74-41143-05	5	4
Bumper	12-37642-01	4	5
Cable Assembly, 50 Cond, Flat	17-01626-05	1	5
Cable Assembly, 50 Cond, Flat	17-01626-05	2	4
Cable Assembly, 50 Cond, Flat	17-01626-05	3	5
Cable Assembly, Double Shielded Coaxial	17-02906-01	7	Not Shown
Cable Assembly, Double Shielded Coaxial 750HM	17-03054-01	7	Not Shown
Cable Assembly, Jumper 03 Conductor	17-00365-19	5	Not Shown
Cable Assembly, Jumper 03 Conductor	17-00365-19	7	Not Shown
Cable Assembly, Jumper 03 Conductor	17-00365-19	8	Not Shown
Cable Assembly, Jumper 03 Conductor	17-00365-19	9	Not Shown
Cable Assembly, Molded, Shielded, D-Sub	17-02640-01	5	Not Shown
Cable Assembly, Molded, Shielded, D-Sub	17-02640-01	7	Not Shown
Cable Assembly, Molded, Shielded, D-Sub	17-02640-01	8	Not Shown
Cable Assembly, Molded, Shielded, D-Sub	17-02640-01	9	Not Shown
Cable Assembly, Molded, Shielded, Twisted Pair	17-02641-01	7	Not Shown
Cable Assembly, Molded, Shielded, Twisted Pair	17-02641-01	8	Not Shown
Cable Assembly, Molded, Shielded, Twisted Pair	17-02641-01	9	Not Shown
Cable Assembly, Molded, Shielded, Twisted Pair	17-02641-02	5	Not Shown
Cable Assembly, Round, 4 IDC Conn, Term	17-03055-01	6	4
Clamp, Cable, Dual Prong, Adhesive Mount	90-11247-01	6	6
Clamp, Cable, Single Prong, Adhesive Mount	90-11246-01	6	5
Connector, Adapter, 25 Pos D-Sub to 6 Pos	12-33190-01	5	Not Shown
Connector, Adapter, 25 Pos D-Sub to 6 Pos	12-33190-01	7	Not Shown
Connector, Adapter, 25 Pos D-Sub to 6 Pos	12-33190-01	8	Not Shown
Connector, Adapter, 25 Pos D-Sub to 6 Pos	12-33190-01	9	Not Shown
Connector, D-Sub 15 Position	12-22196-02	5	Not Shown
Connector, D-Sub 15 Position	12-22196-02	7	Not Shown
Connector, D-Sub 15 Position	12-22196-02	8	Not Shown
Connector, D-Sub 15 Position	12-22196-02	9	Not Shown
Connector, Terminator	12-33626-01	5	Not Shown
Cover Assembly, Top	70-28353-02	1	8
Cover Assembly, Top	70-28353-02	2	6
Cover Assembly, Top	70-28353-02	3	7
DECstation 5000 MODEL 260 KERNEL ASSY. (60 MHZ, 32 MB Memory, Diskless, MS02-CA, 32 MB ECC Memory, 4 Mbit DRAM Chip)	PM48A-CC	7	N/A

**INDEX BY DEC PART DESCRIPTION**  
**DECstation/DECsystem 5000 Models 50/150/260**

DESCRIPTION	DEC PART NO.	FIG. NO.	ITEM NO.
DECstation 5000 MODEL 260 SYSTEM KERNEL ASSY. (60 MHZ, 32 MB Memory, Diskless, MS02-CA, 32 MB ECC Memory, 4 Mbit DRAM Chip)	PM48B-CY	8	N/A
DECstation 5000 MODEL 50 SYSTEM KERNEL ASSEMBLY (50 MHZ, 8 MB Memory, Base Graphics, Diskless)	PM40B-AY	2	N/A
DECsystem 5000 MODEL 150 BUILD-TO-ORDER SERVER KERNEL ASSY.	PM43B-BY	5	N/A
DECsystem 5000 MODEL 260 SERVER KERNEL ASSEMBLY (60 MHZ, 32 MB Memory, Diskless, MS02-CA, 32 MB ECC Memory, 4 Mbit DRAM Chip)	PM49B-CY	9	N/A
DECsystem 5000 MODEL 50 SERVER KERNEL ASSEMBLY	N/A	3	N/A
Disk Drive Assembly, 3 1/2 Inch SCSI, 426 MB	RZ25-EP	1	6
Door Assembly, PM300 Front	70-27056-01	10	4
Enclosure Assembly, Bottom	70-28347-01	11	1
Enclosure Assembly, PM300 Top	70-27053-01	10	1
Foot, Assembly w/Push Rivet	90-11357-01	10	9
Insert, Bezel, RRD42	74-42126-02	5	7
Insert, Bezel, RX23	74-41143-05	5	6
Insert, Bezel, TZK10	74-42126-04	5	8
Kit, Enclosure Assembly	70-28363-01	6	2
Label, "Attention Pre-Installed Software"	36-28979-01	1	13
Label, "Attention Pre-Installed Software"	36-28979-01	2	11
Label, "Attention Pre-Installed Software"	36-28979-01	3	12
Label, "Attention Pre-Installed Software"	36-28979-01	5	13
Label, "FTZ Postcard"	36-30422-54	5	Not Shown
Label, "FTZ Postcard"	36-30422-54	7	Not Shown
Label, "FTZ Postcard"	36-30422-54	8	Not Shown
Label, "FTZ Postcard"	36-30422-54	9	Not Shown
Label, "I/O"	36-37156-01	4	8
Label, "Regulatory" (U.K.)	36-35152-10	6	17
Label, "Regulatory" (U.K.)	36-35152-12	1	12
Label, "Regulatory" (U.K.)	36-35152-12	2	10
Label, "Regulatory" (U.S.)	36-35152-09	6	17
Label, "Regulatory" (U.S.)	36-35152-11	1	11
Label, "Regulatory" (U.S.)	36-35152-11	2	9
Label, "Regulatory" (U.S.)	36-35152-11	3	10
Label, "Regulatory" (U.K.)	36-35152-12	3	11
Label, "Regulatory, DECstation 5000" (U.K.)	36-35152-14	11	10
Label, "Regulatory, DECstation 5000" (U.S.)	36-35152-13	11	10
Label, Blank, 1 Inch x 1 Inch	36-37572-01	1	14
Label, Blank, 1 Inch x 1 Inch	36-37572-01	2	12
Label, Blank, 1 Inch x 1 Inch	36-37572-01	3	13
Latch Assembly, Slide	12-27576-02	11	4
Medallion, DECstation 5000/260	74-43093-11	7	5
Medallion, DECstation 5000/260	74-43093-11	8	4
Medallion, DECstation 5000/50	74-41856-13	1	9
Medallion, DECstation 5000/50	74-41856-13	2	7

**INDEX BY DEC PART DESCRIPTION**  
**DECstation/DECsystem 5000 Models 50/150/260**

DESCRIPTION	DEC PART NO.	FIG. NO.	ITEM NO.
Medallion, DECstation 5000/50	74-41856-13	3	8
Medallion, DECsystem 5000/260	74-43093-15	9	4
Medallion, Snap-In, DECstation 5000/150	74-43093-08	5	9
Medallion, Snap-In, DECsystem 5000/150	74-43093-12	5	10
Model PM40A-AP (50 MHZ, 8 MB Memory, Base Graphics RZ25 Disk Drive)	PM40A-AP	1	N/A
Model PM40A-CP (50 MHZ, 8 MB Memory, 1 MS01-CA, 16 MB Parity Memory, 4 Mbit DRAM Chip)	PM40A-CP	1	N/A
Model PM41B-AY (50 MHZ, 8 MB Memory, Diskless)	PM41B-AY	3	N/A
Model PM41B-CY (50 MHZ, 8 MB Memory, Diskless)	PM41B-CY	3	N/A
<b>Module Assembly, System</b>	70-28321-02	6	10
Module, 32 MB Memory Option w/4 Mbit DRAM Chip	MS02-CA	10	3
Module, 32 MB Memory Option w/4 Mbit DRAM Chip	MS02-CA	7	3
Module, 32 MB Memory Option w/4 Mbit DRAM Chip	MS02-CA	8	3
Module, 32 MB Memory Option w/4 Mbit DRAM Chip	MS02-CA	9	3
Module, 8 MB Memory Option w/4 Mbit DRAM Chip	MS02L-AB	10	3
Module, PE500 CXTURBO	54-21143-01	7	4
Module, R4000	54-21872-02	7	2
Module, R4000	54-21872-02	8	2
Module, R4000	54-21872-02	9	2
Module, R4000	54-21874-01	1	3
Module, R4000	54-21874-01	2	2
Module, R4000	54-21874-01	3	3
Module, R4000	54-21874-01	5	2
Module, SIMM Hybrid Memory 4M x 18 Bit	57-34320-01	1	2
Module, SIMM Hybrid Memory 4M x 18 Bit	57-34320-01	3	2
Module, SIMM Hybrid Memory 4M x 18 Bit	57-34320-01	5	3
Module, System	54-20617-01	11	2
Module, System	54-21325-01	4	2
Package Assembly	37-01210-01	5	Not Shown
Package Assembly	37-01210-01	7	Not Shown
Package Assembly	37-01219-01	8	Not Shown
Package Assembly	37-01219-01	9	Not Shown
Package Assembly	37-01295-03	1	Not Shown
Package Assembly	37-01295-03	2	Not Shown
Package Assembly	37-01295-03	3	Not Shown
PERSONAL DECstation 5000 MODEL 50 CUSTOM KERNEL ASSEMBLY	N/A	1	N/A
Plate, Base	74-44241-02	4	1
Power Cord	17-00442-25	5	Not Shown
Power Cord	17-00442-25	7	Not Shown
Power Cord	17-00442-25	8	Not Shown
Power Cord	17-00442-25	9	Not Shown
Power Supply, 113W, 5.1V @ 15A, 12.1V @ 3A 120V/240V	H7817-AA	4	3
Power Supply, 169W, 5.1V @ 21A, 12.1V @ 4.5A 120V/240V	H7826-AA	6	1
Power Supply, 244W, 5V @ 40A	30-32506-01	10	5
Rivet, Push, Button	12-35477-02	6	15
Screw, Cap Hex Hd No. 6-32 x 1/4	90-08043-08	10	10
Screw, Cap Hex Hd No. 6-32 x 1/4	90-08043-08	6	16
Screw, Filister No. 6-32 x 1/4	90-11139-01	11	8
Screw, Lock	90-08451-12	11	7
Screw, Lock	90-08451-12	6	13

**INDEX BY DEC PART DESCRIPTION**  
**DECstation/DECsystem 5000 Models 50/150/260**

DESCRIPTION	DEC PART NO.	FIG. NO.	ITEM NO.
Screw, Mach Pan Hd No. 4-40 x 3/16	90-08032-01	11	9
Screw, Mach Pan Hd No. 4-40 x 3/16	90-08032-01	6	12
Screw, Mach Pan Hd No. 6-32 x 1/4	90-00038-19	10	11
Screw, Mach Pan Hd No. 6-32 x 1/4	90-00038-19	5	12
Screw, Mach Pan Hd No. 6-32 x 1/4	90-00038-19	7	6
Screw, Mach Pan Hd No. 6-32 x 1/4 (Not Shown)	90-00038-19	8	5
Screw, Mach Pan Hd No. 6-32 x 1/4 (Not Shown)	90-00038-19	9	5
Screw, Self-Tap Pan Hd No. 6 x 1/4	90-00062-10	1	10
Screw, Self-Tap Pan Hd No. 6 x 1/4	90-00062-10	2	8
Screw, Self-Tap Pan Hd No. 6 x 1/4	90-00062-10	3	9
Screw, Sems Pan Hd No. 6-32 x 5/16	90-00062-10	4	6
Screwdriver, Flat Blade	47-00042-00	5	Not Shown
Screwdriver, Flat Blade	47-00042-00	7	Not Shown
Screwdriver, Flat Blade	47-00042-00	8	Not Shown
Screwdriver, Flat Blade	47-00042-00	9	Not Shown
Screwdriver, Phillips	47-00043-00	5	Not Shown
Screwdriver, Phillips	47-00043-00	7	Not Shown
Screwdriver, Phillips	47-00043-00	8	Not Shown
Screwdriver, Phillips	47-00043-00	9	Not Shown
Shield, EMI/RFI	12-37853-02	10	8
Shield, Rear Bulkhead	74-40476-02	6	11
Shield, Rear Bulkhead	74-40476-03	11	3
Slide Latch Assembly	12-27576-02	6	14
Standoff, Steel, Hex No. 6-32 x .665	12-33793-01	11	6
Standoff, Hex No. 6-32 x 1 1/2 Inch	90-00001-68	6	8
Standoff, Male/Female Hex	90-00001-71	4	7
Standoff, Male/Female Hex No. 6-32 x 3.0 Inch	90-00001-66	11	5
Standoff, Round Nylon	12-35477-01	6	7
Standoff, Steel, Hex No. 6-32 x .665	12-33793-01	6	9
SYSTEM BOX ASSEMBLY, COMMON	70-28357-02	3	1
SYSTEM BOX ASSEMBLY, COMMON	70-28357-02	1	1
SYSTEM BOX ASSEMBLY, COMMON	70-28357-02	2	1
SYSTEM BOX ASSEMBLY, COMMON	70-28357-02	4	N/A
SYSTEM BOX ASSEMBLY, DECstation 5000 MODEL 150	70-28322-04	5	1
SYSTEM BOX ASSEMBLY, DECstation 5000 MODEL 150	70-28322-04	6	N/A
SYSTEM BOX ASSEMBLY, KN05-KA DESKTOP	70-28350-02	10	N/A
SYSTEM BOX ASSEMBLY, KN05-KA DESKTOP	70-28350-02	7	1
SYSTEM BOX ASSEMBLY, KN05-KA DESKTOP	70-28350-02	8	1
SYSTEM BOX ASSEMBLY, KN05-KA DESKTOP	70-28350-02	9	1
SYSTEM MODULE w/ENCLOSURE	70-28348-02	10	2
SYSTEM MODULE w/ENCLOSURE	70-28348-02	11	N/A
Tie, Cable	90-07032-00	5	11
Weldment, Blank Bezel, Insert	70-28345-01	5	5
Wire Harness Assembly, 04 Cond, 22 AWG	17-03357-01	1	4
Wire Harness Assembly, 04 Cond, 22 AWG	17-03357-01	2	3
Wire Harness Assembly, 04 Cond, Flat	17-03357-01	3	4
Wire Harness Assembly, Daisy Chain	17-03064-01	6	3
Wrist Strap, Grounding	12-24023-07	5	Not Shown
Wrist Strap, Grounding	12-36175-01	7	Not Shown
Wrist Strap, Grounding	12-36175-01	8	Not Shown
Wrist Strap, Grounding	12-36175-01	9	Not Shown