

M-Series Power Strip Kit
Illustrated Parts Breakdown

Order Number: EK-H7601-IP. B01

Compaq Computer Corporation
Maynard, Massachusetts

Compaq Computer Corporation reserves the right, without notice, to make substitutions and modifications in the specifications of products documented in this manual and further reserves the right to withdraw any of these products from the market without notice.

Compaq Computer Corporation is not responsible for errors which may appear in the technical description (including illustrations and photographs) of the products covered by this manual.

None of the descriptions contained in this manual imply the granting of any license whatsoever to make, use or sell equipment constructed in accordance therewith.

Restricted Rights: Use, duplication or disclosure by the U.S. Government is subject to restrictions as set forth in subparagraph (c) (1) (ii) of the Rights in Technical Data and Computer Software clause at DFARS 252.227-2713.

Copyright ©1998, 1999 by Compaq Computer Corporation. All rights reserved.
Printed in U.S.A.

Compaq, the Compaq logo, DEC, Deskpro, DIGITAL, OpenVMS, Proliant and SmartStart registered in United States Patent and Trademark Office.

The following are third party trademarks:

IBM is a registered trademark of International Business Machines, Inc.

Microsoft and Windows NT are registered trademarks of Microsoft Corporation.

UNIX is a registered trademark in the United States and other countries, licensed exclusively through X/Open Company Ltd.

Reader's Comments

Compaq welcomes your comments on this manual.
You can send your comments to Compaq at the address below:

Compaq Computer Corporation
Servers Engineering and Technical Services
129 Parker Street
PKO3-1/20C
Maynard, MA 01754-2199

Please reference EK-H7601-IP. B01 in your correspondence.

ILLUSTRATED PARTS BREAKDOWN

M-Series Power Strip Kit

ILLUSTRATED PARTS BREAKDOWN (IPB)

The IPB is used to identify a part and its location in a hardware product. The document references specific item numbers in the associated parts list.

HOW TO USE THE IPB

1. Locate the figure containing the item of interest.
2. Locate the number (callout) of the item of interest.
3. Locate that item number in the associated parts list.

FORMAT

Each IPB is generally organized based on its first figure. All other assemblies and subassemblies are referenced from this figure. Each figure contains numeric callouts of all major parts (items).

PARTS LIST

Each parts list contains the following:

Figure and Item No. - Lists the figure number and its referenced numeric callout

Description - Presents the name and a brief description of the item. A single asterisk (*) preceding the description denotes item is a

subassembly to its referenced figure. A double asterisk (**) preceding the description indicates that this item is subordinate to the preceding single asterisk item.

DIGITAL Part No. - Lists the DIGITAL/Vendor part number. The letter in the column heading indicates the current revision level of the Engineering Drawing for the referenced figure.

ECO Cut-In - Lists the top assembly drawing number and revision level at first printing. All additional revisions to an item are listed in this column.

Used On Code - Lists letters referring to the product variation assigned in Figure 1. When this column is blank, the item is used in all variations.

Ref Fig No. - Lists a cross reference between figures within the IPB.

PART NUMBER/PART DESCRIPTION INDEX SECTION

Lists items by part number numerically, and description alphabetically. Items are also referenced to a location within the IPB by figure and item number.

ECO/REVISION HISTORY

| FIGURE NO. | ASSEMBLY | INITIAL LEVEL | CURRENT LEVEL | PRINTING DATE | OTHER IPB MANUALS REFERENCED |
|------------|----------|---------------|---------------|---------------|------------------------------|
| 1 | H7601 | 00000 | 00001 | MARCH 1999 | N/A |

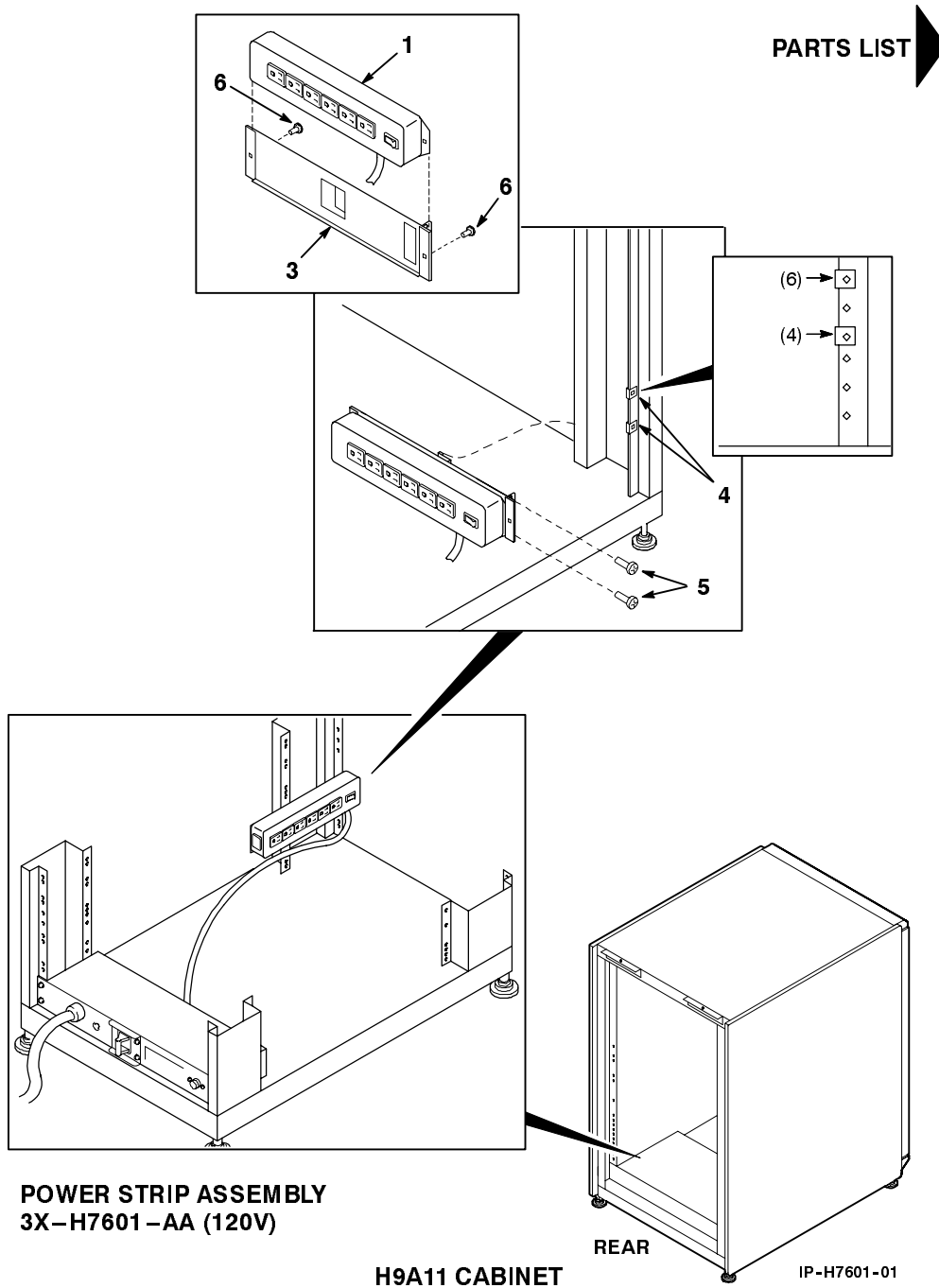


Figure 1. M-Series Power Strip Kit (Sheet 1 of 6)

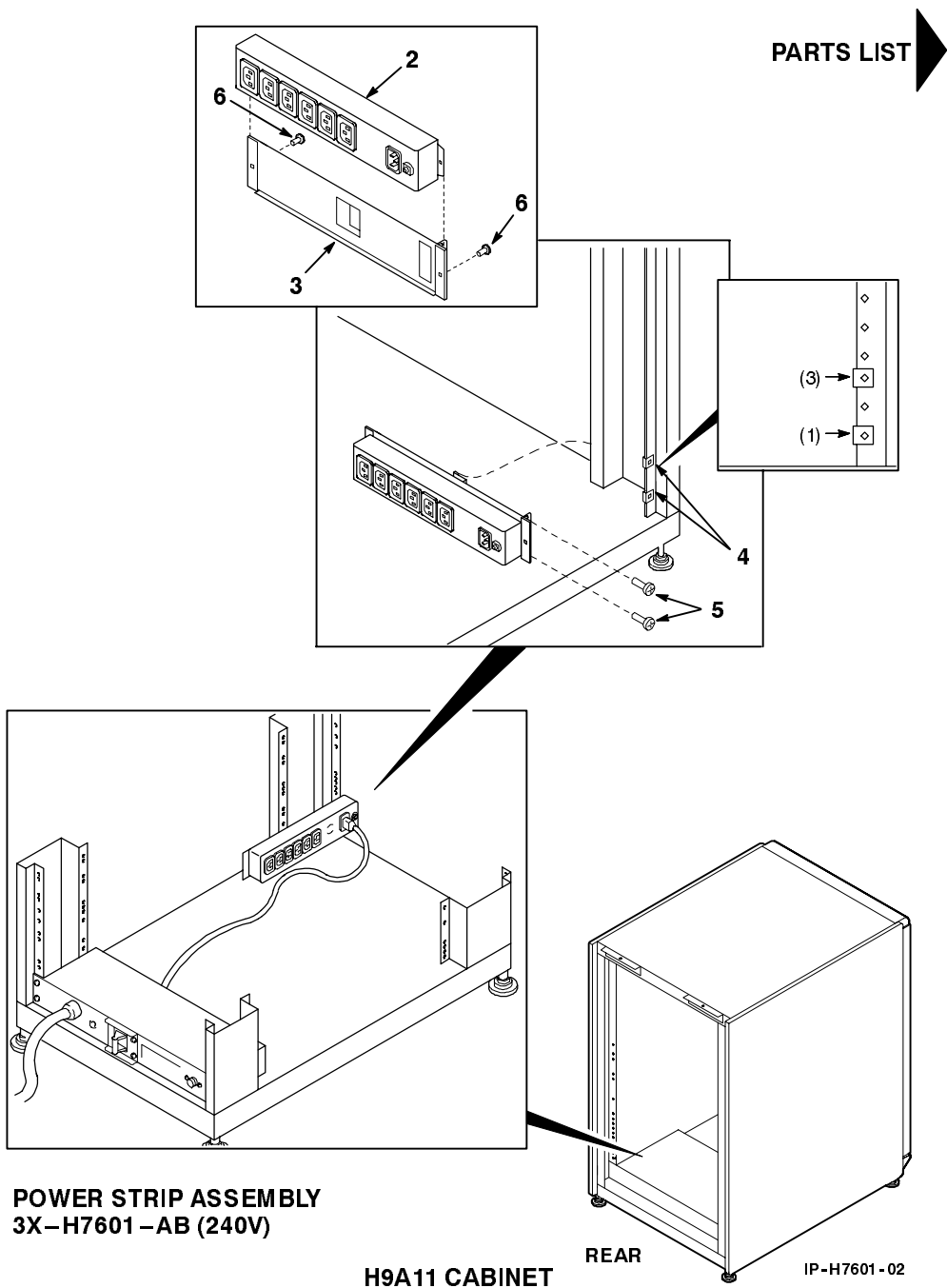
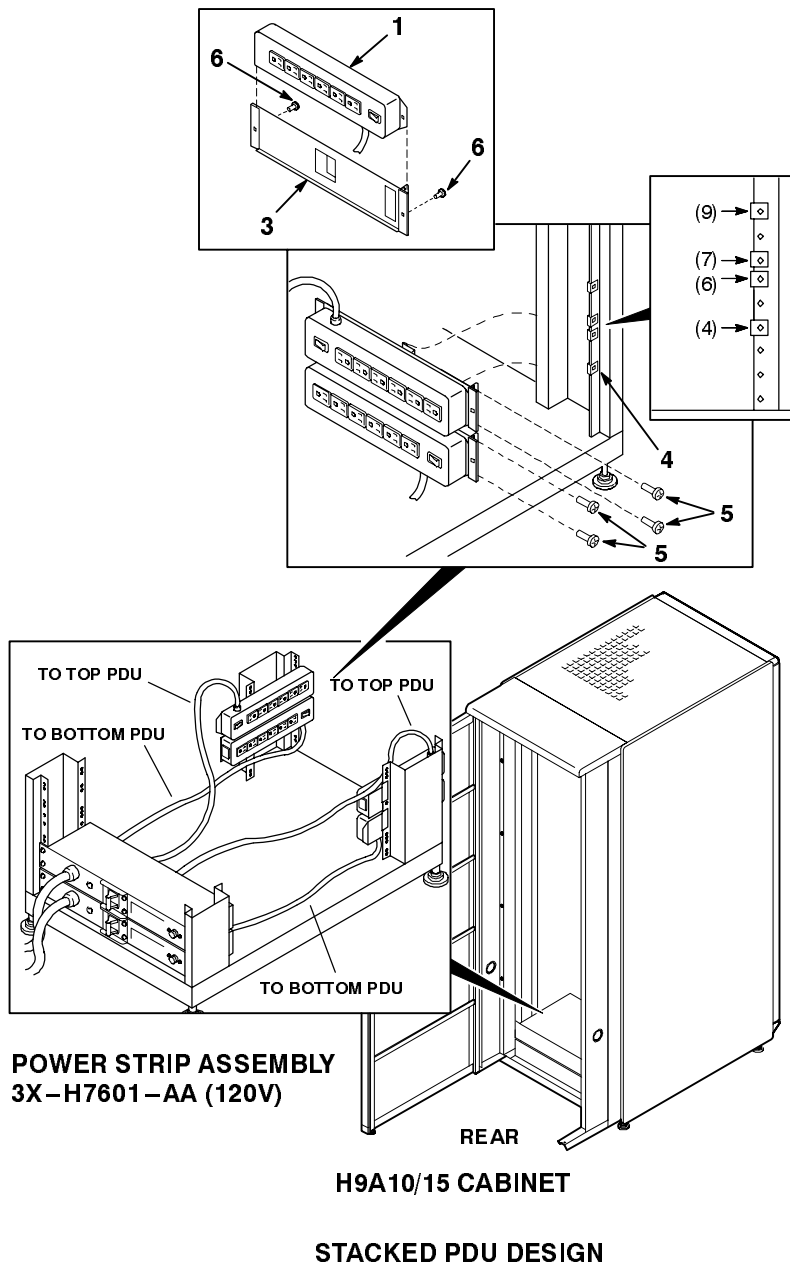


Figure 1. M-Series Power Strip Kit (Sheet 2 of 6)

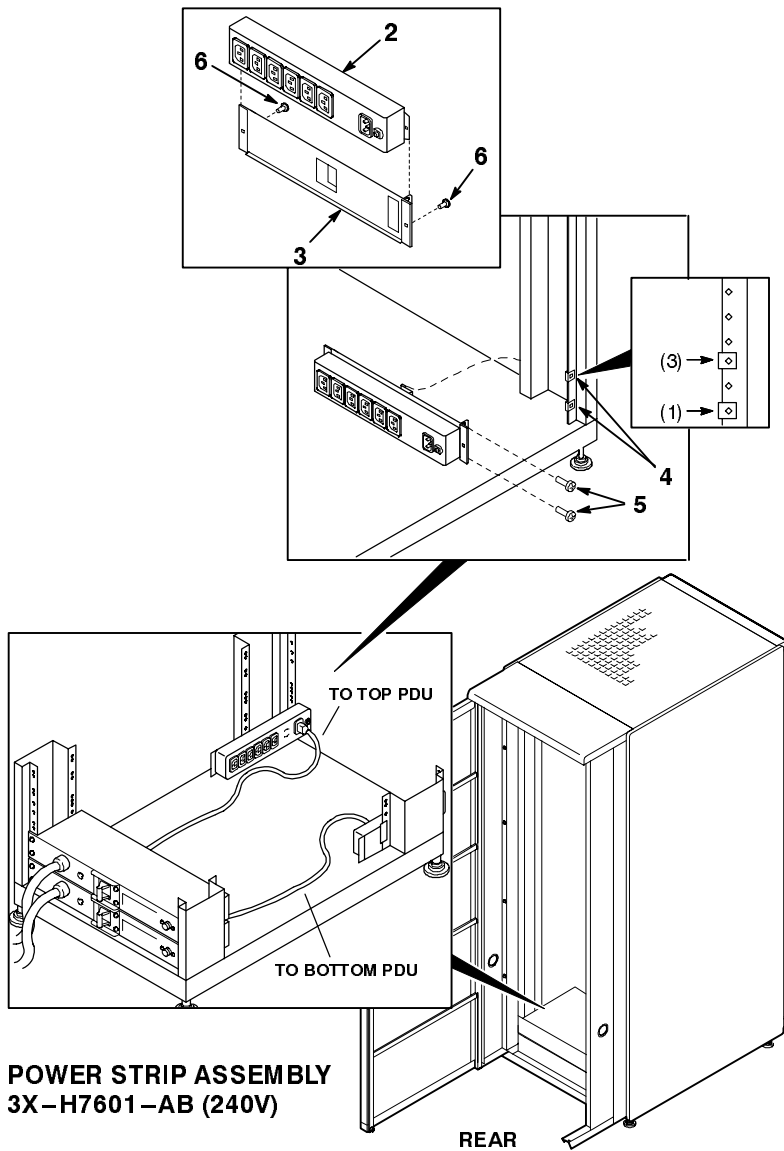
PARTS LIST



IP-H7601-03

Figure 1. M-Series Power Strip Kit (Sheet 3 of 6)

PARTS LIST



**POWER STRIP ASSEMBLY
3X-H7601-AB (240V)**

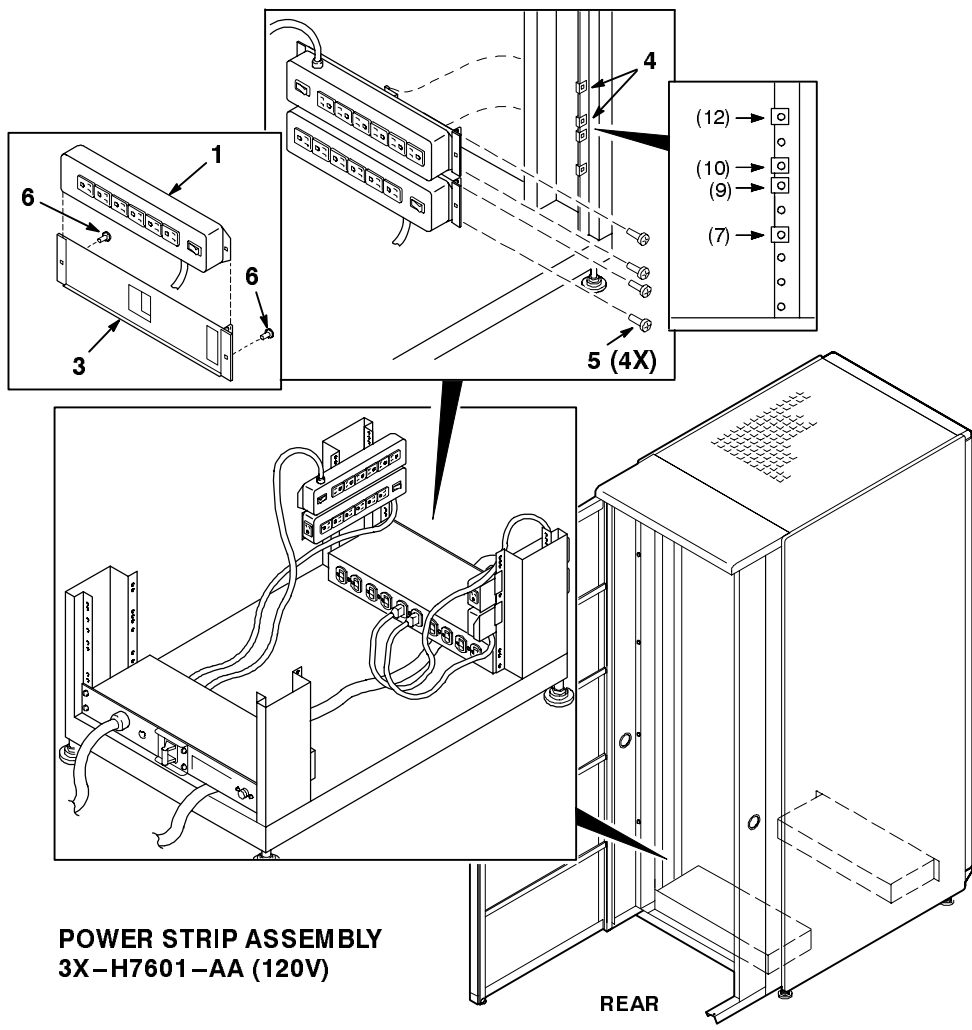
H9A10/15 CABINET

STACKED PDU DESIGN

IP-H7601-04

Figure 1. M-Series Power Strip Kit (Sheet 4 of 6)

PARTS LIST 



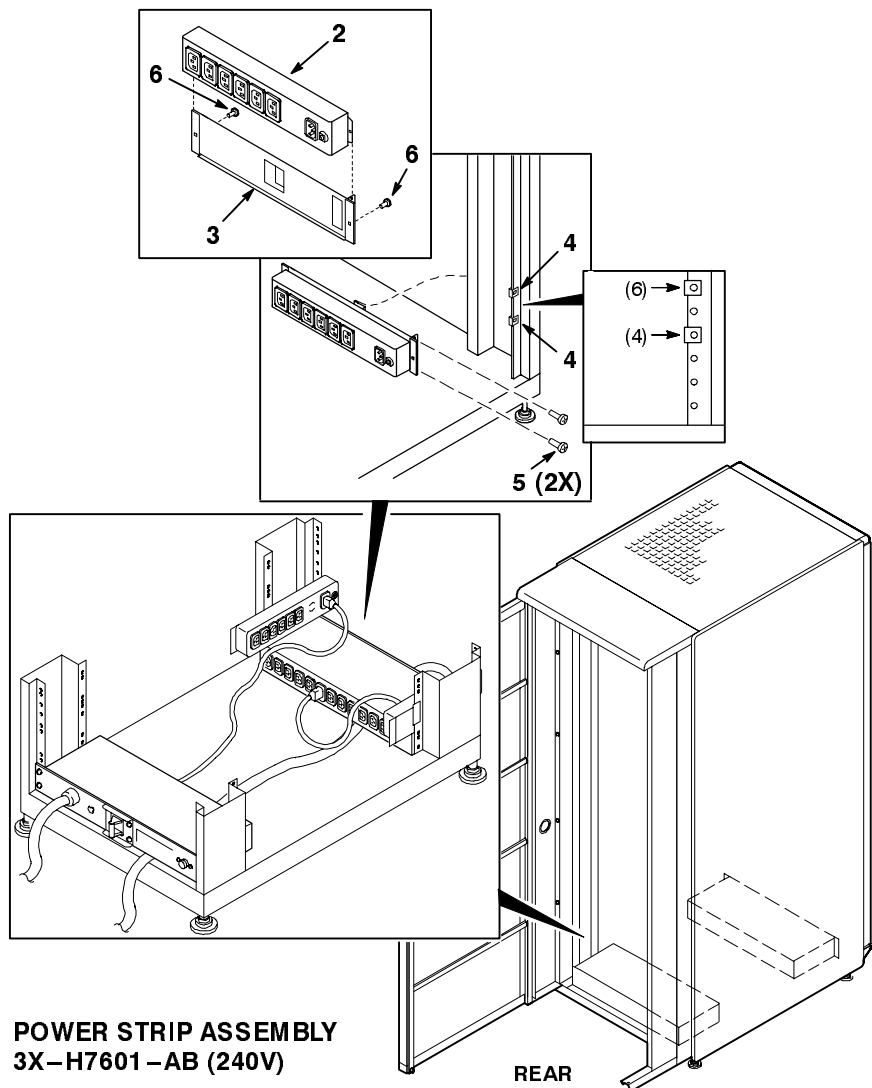
**POWER STRIP ASSEMBLY
3X-H7601-AA (120V)**

**H9A10/15 CABINET
SPLIT PDU DESIGN**

IP-H7601-05

Figure 1. M-Series Power Strip Kit (Sheet 5 of 6)

PARTS LIST 



**POWER STRIP ASSEMBLY
3X-H7601-AB (240V)**

REAR

**H9A10/15 CABINET
SPLIT PDU DESIGN**

IP-H7601-06

Figure 1. M-Series Power Strip Kit (Sheet 6 of 6)

| FIG.& ITEM NO. | DESCRIPTION | DIGITAL PART NO. | ECO CUT-IN 3XH7601 00001 | USED ON CODE | REF FIG NO. |
|----------------------|---|----------------------------|-----------------------------------|--------------------|-------------------|
| 1- | M-SERIES POWER STRIP KIT (120V) M-SERIES POWER STRIP KIT (220V) | 3X-H7601-AA 3X-H7601-AB | | A B | |
| 1 | *Connector, Power Strip 7 Outlet NEMA | 12-23501-01 | | A | |
| 2 | *Connector, Power Strip 6 Outlet IEC | 12-45334-02 | | B | |
| 3 | *Bracket, Power Bar Mounting | 74-50504-02 | | | |
| 4 | *Nut, U-Nut M5 | 90-07786-04 | | | |
| 5 | *Screw, Sems M5 x 0.8 x 18MM | 90-09984-22 | | | |
| 6 | *Screw, Sems M3.5 x 0.6 x 8MM | 90-09984-29 | | | |
| 7 | *Cable Assembly, Power Cord, 3 Cond. (Not Shown) | 17-04285-02 | | B | |
| 8 | *Packaging (Not Shown) | 37-01645-01 | | | |
| 9 | *Documentation, "M-Series Power Strip Kit Illustrated Parts Breakdown Manual" (Not Shown) | EK-H7601-IP | | | |

