

H9A11 M-Series Cabinet

Illustrated Parts Breakdown

Order Number: EK-H9A11-IP. B01

Compaq Computer Corporation
Maynard, Massachusetts

Compaq Computer Corporation reserves the right, without notice, to make substitutions and modifications in the specifications of products documented in this manual and further reserves the right to withdraw any of these products from the market without notice.

Compaq Computer Corporation is not responsible for errors which may appear in the technical description (including illustrations and photographs) of the products covered by this manual.

None of the descriptions contained in this manual imply the granting of any license whatsoever to make, use or sell equipment constructed in accordance therewith.

Restricted Rights: Use, duplication or disclosure by the U.S. Government is subject to restrictions as set forth in subparagraph (c) (1) (ii) of the Rights in Technical Data and Computer Software clause at DFARS 252.227-2713.

Copyright ©1999 by Compaq Computer Corporation. All rights reserved.
Printed in U.S.A.

Compaq, the Compaq logo, DEC, Deskpro, DIGITAL, OpenVMS, ProLiant, and SmartStart registered in United States Patent and Trademark Office.

The following are third party trademarks:

IBM is a registered trademark of International Business Machines, Inc.

Microsoft and Windows NT are registered trademarks of Microsoft Corporation.

UNIX is a registered trademark in the United States and other countries, licensed exclusively through X/Open Company Ltd.

Reader's Comments

Compaq welcomes your comments on this manual.
You can send your comments to Compaq at the address below:

Compaq Computer Corporation
Systems Engineering and Options
129 Parker Street
PKO3-1/20C
Maynard, MA 01754-2199

Please reference EK-H9A11-IP, B01 in your correspondence.

ILLUSTRATED PARTS BREAKDOWN

H9A11 M-Series Cabinet

ILLUSTRATED PARTS BREAKDOWN (IPB)

The IPB is used to identify a part and its location in a hardware product. The document references specific item numbers in the associated parts list.

HOW TO USE THE IPB

1. Locate the figure containing the item of interest.
2. Locate the number (callout) of the item of interest.
3. Locate that item number in the associated parts list.

FORMAT

Each IPB is generally organized based on its first figure. All other assemblies and subassemblies are referenced from this figure. Each figure contains numeric callouts of all major parts (items).

PARTS LIST

Each parts list contains the following:

Figure and Item No. - Lists the figure number and its referenced numeric callout

Description - Presents the name and a brief description of the item. A single asterisk (*) preceding the description denotes item is a

subassembly to its referenced figure. A double asterisk (**) preceding the description indicates that this item is subordinate to the preceding single asterisk item.

DIGITAL Part No. - Lists the DIGITAL/Vendor part number. The letter in the column heading indicates the current revision level of the Engineering Drawing for the referenced figure.

ECO Cut-In - Lists the top assembly drawing number and revision level at first printing. All additional revisions to an item are listed in this column.

Used On Code - Lists letters referring to the product variation assigned in Figure 1. When this column is blank, the item is used in all variations.

Ref Fig No. - Lists a cross reference between figures within the IPB.

PART NUMBER/PART DESCRIPTION INDEX SECTION

Lists items by part number numerically, and description alphabetically. Items are also referenced to a location within the IPB by figure and item number.

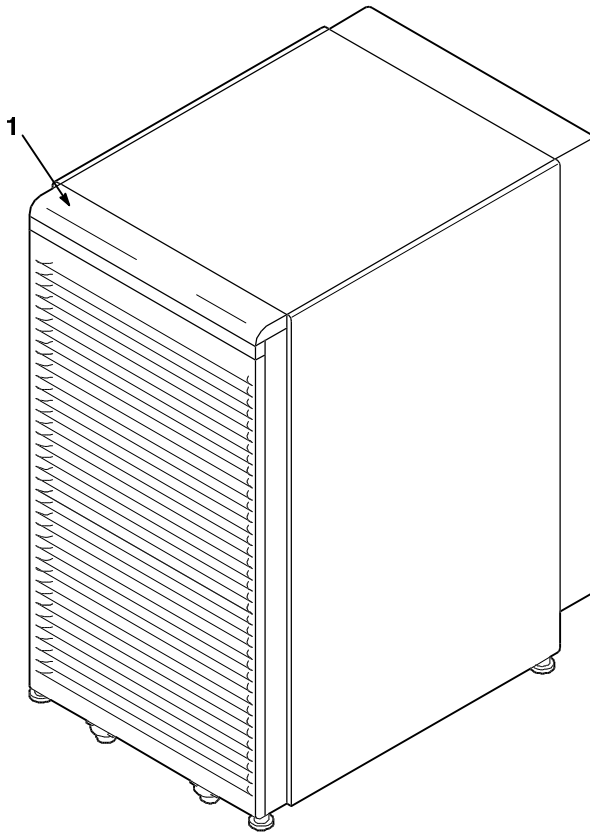
ECO/REVISION HISTORY

OTHER IPB MANUALS REFERENCED

FIGURE NO.	ASSEMBLY	INITIAL LEVEL	CURRENT LEVEL	PRINTING DATE	OTHER IPB MANUALS REFERENCED
1	H9A11-2	ZK000	ZK001	July 1999	EK-H7601-IP
2	H9A11-0	ZK002	ZK002		
3	H9A11-1	ZK001	ZK001		
4	AlphaServer 800 Configurations				
5	AlphaServer DS10 Configurations				

INDICATES FRU LEVEL PARTS.

PARTS LIST

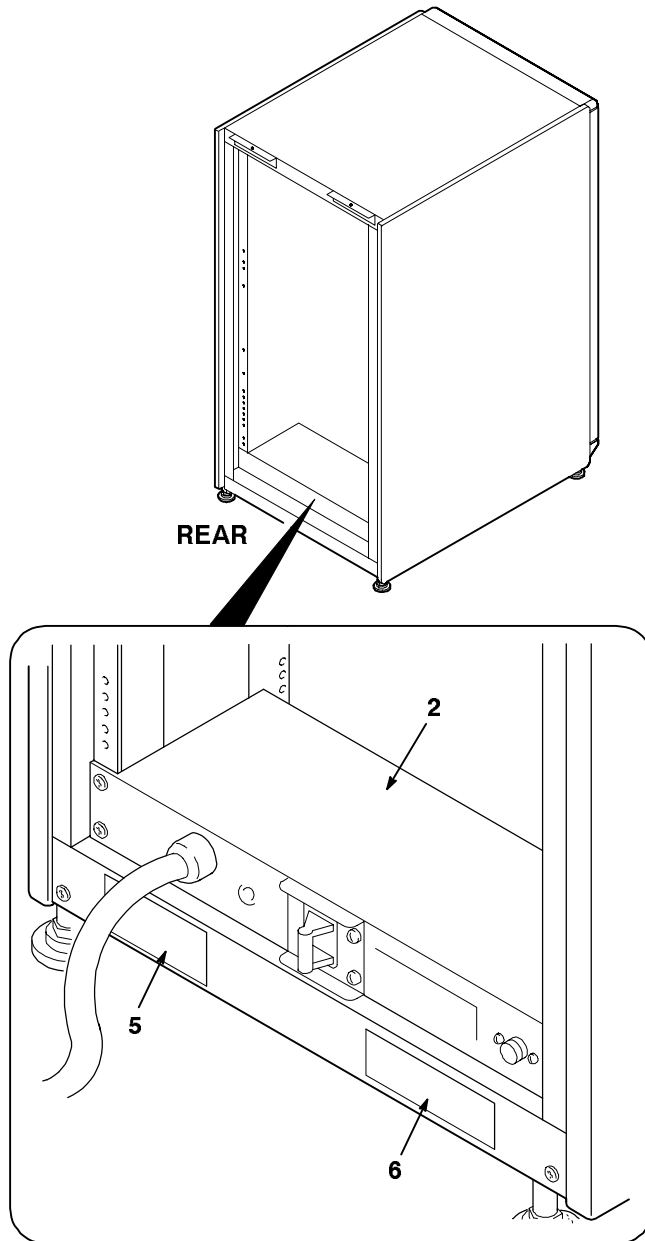


IP-H9A11-2-01

Figure 1. H9A11 M-Series Cabinet Assembly (Sheet 1 of 5)

INDICATES FRU LEVEL PARTS.

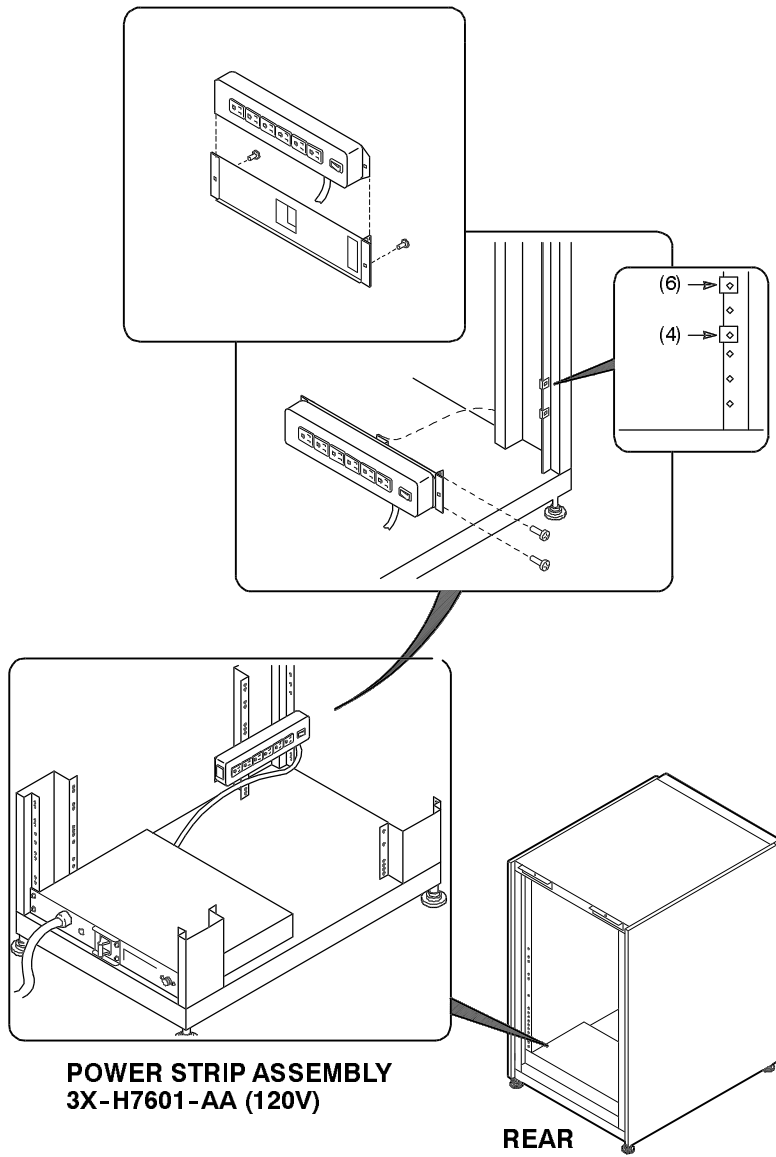
PARTS LIST



IP-H9A11-2-01A

Figure 1. H9A11 M-Series Cabinet Assembly (Sheet 2 of 5)

PARTS LIST

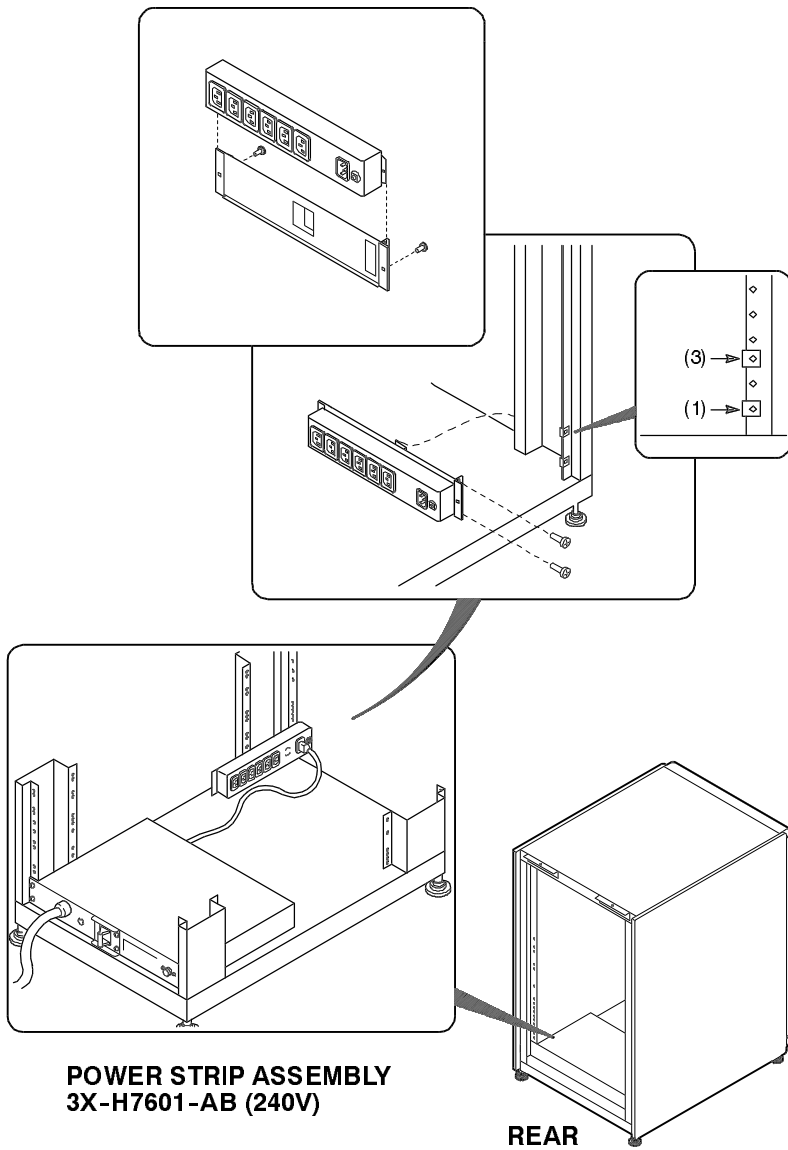


REF. M-Series Power Strip Kit Illustrated Parts Breakdown
EK-H7601-IP

IP-H9A11-2-02

Figure 1. H9A11 M-Series Cabinet Assembly (Sheet 3 of 5)

PARTS LIST



REF. M-Series Power Strip Kit Illustrated Parts Breakdown
EK-H7601-IP

IP-H9A11-2-02A

Figure 1. H9A11 M-Series Cabinet Assembly (Sheet 4 of 5)

PARTS LIST 

H9A11 M-SERIES CAB MISC. PART NUMBERS
BALLAST KIT H9C10-MC
FRONT DOOR KITS H9C11-EA (GRAY) H9C11-EB (BLUE)
FRONT FINISH BEZEL KITS* H3400-AA (GRAY) H3400-AB (BLUE)
FRONT TRIM KITS* H9A11-BE (GRAY) H9A11-RE (BLUE)
POWER STRIP ASSEMBLY 3X-H7601-AA (120V) 3X-H7601-AB (240V)
*H9A11-M Series Cabinets Include A Front Finish Bezel Kit And A Front Trim Kit

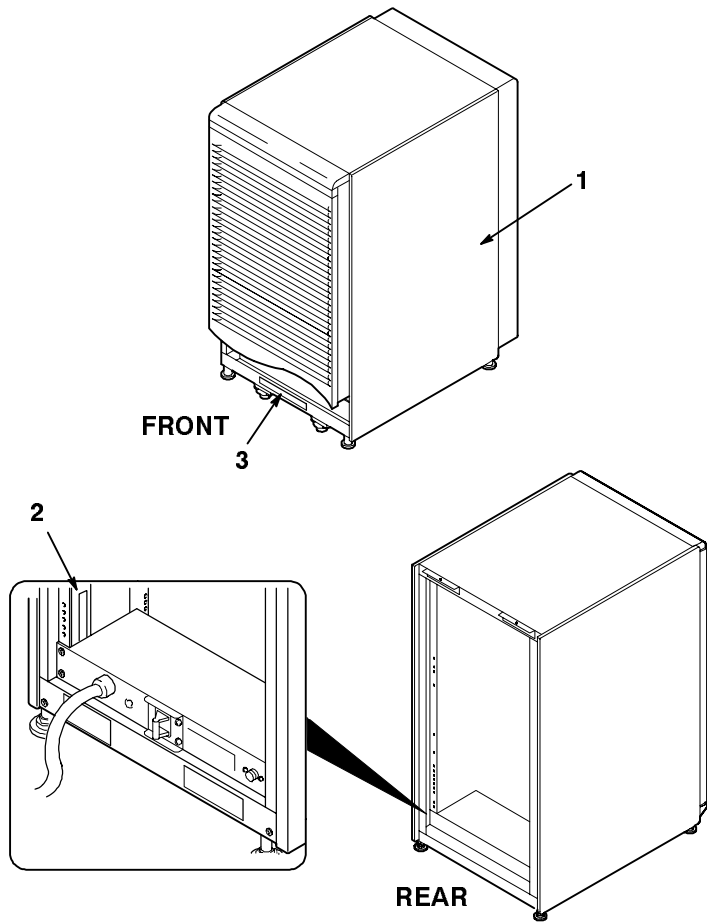
H9A11 M-SERIES CABINETS COMPONENT HEIGHTS (1U = 1.75 Inches)	
Component	Height (U's)
AlphaServer 800 System Box	5+U
AlphaServer DS10 System Box	3U
Flushing Fan	4U
Power Distribution Unit	1U
Power Strip	2U
RAID Array 3000 Controller	4U
Storage Shelf	4U
Tape Library	4U

Figure 1. H9A11 M-Series Cabinet Assembly (Sheet 5 of 5)

FIG.& ITEM NO.	DESCRIPTION	DIGITAL PART NO.	ECO CUT-IN H9A11-2 ZK001	USED ON CODE	REF FIG NO.
1- A	CABINET ASSEMBLY, 1.1M, GRAY (120V)	H9A11-MA		A	
B	CABINET ASSEMBLY, 1.1M, GRAY (240V)	H9A11-MB		B	
C	CABINET ASSEMBLY, 1.1M, BLUE (120V)	H9A11-MC		C	
D	CABINET ASSEMBLY, 1.1M, BLUE (240V)	H9A11-MD		D	
1	*CABINET, FRONT TRIM KIT (GRAY)	H9A11-BE		AB	2
	*CABINET, FRONT TRIM KIT (BLUE)	H9A11-RE		CD	3
2	*Power Controller Strip (100-120V)	H7600-AA		AC	
	*Power Distribution Unit (200-240V)	H7600-DB		BD	
3	*Blank Bezel Kit (Gray) (Not Shown)	H3400-AA		AB	
	*Blank Bezel Kit (Blue) (Not Shown)	H3400-AB		CD	
4	*Documentation, H9A11 Cabinet Service Access Advisory (Not Shown)	EK-H9A11-CN			
5	*Label, "Regulatory" (U.S.)	36-41348-A3			
	*Label, "Regulatory" (U.K.)	36-41348-A4			
	*Label, "Regulatory" (Singapore)	36-41348-A5			
6	*Label, "Warning High Leakage Current"	36-22516-02			
	H9A11 M-Series Kits and MISC. PARTS				
	AlphaServer 800 Rack Mount Kit	PB8HA-BA			
	AlphaServer DS10 Rack Mount Kit	3X-PBX01-AB			
	Ballast Kit	H9C10-MC			
	DLT MiniLibrary Base Module (Blue)	DS-TL891-NE			
	DLT MiniLibrary Base Module (Gray)	DS-TL891-NG			
	Front Door Kit (Gray)	H9C11-EA			
	Front Door Kit (Blue)	H9C11-EB			
	Power Strip Assembly (120V)	3X-H7601-AA			
	Power Strip Assembly (240V)	3X-H7601-AB			
	RAID Array 3000 (120V)	DS-SWXRA-GH			
	RAID Array 3000 (230V)	DS-SWXRA-GK			
	Note: For H9A11 Marquee Cabinets AC Input Rules, See B-IC-H9A11-2-DBM Print Set.				

FIG.& ITEM NO.	DESCRIPTION	DIGITAL PART NO.	ECO CUT-IN H9A11-0 ZK002	USED ON CODE	REF FIG NO.
2-	CABINET, FRONT TRIM KIT (GRAY)	H9A11-BE			1
1	*Cabinet Assembly	70-32273-01			
2	*Label, "Serial Power"	36-17674-00			
3	*Label, "Caution Stabilizer Foot"	36-18384-01			
4	*Package Assembly (Not Shown)	37-01309-08			
5	*Documentation, H9A11 Cabinet Installation (Not Shown)	EK-H9A11-IN			

☞ ☜ INDICATES FRU LEVEL PARTS.

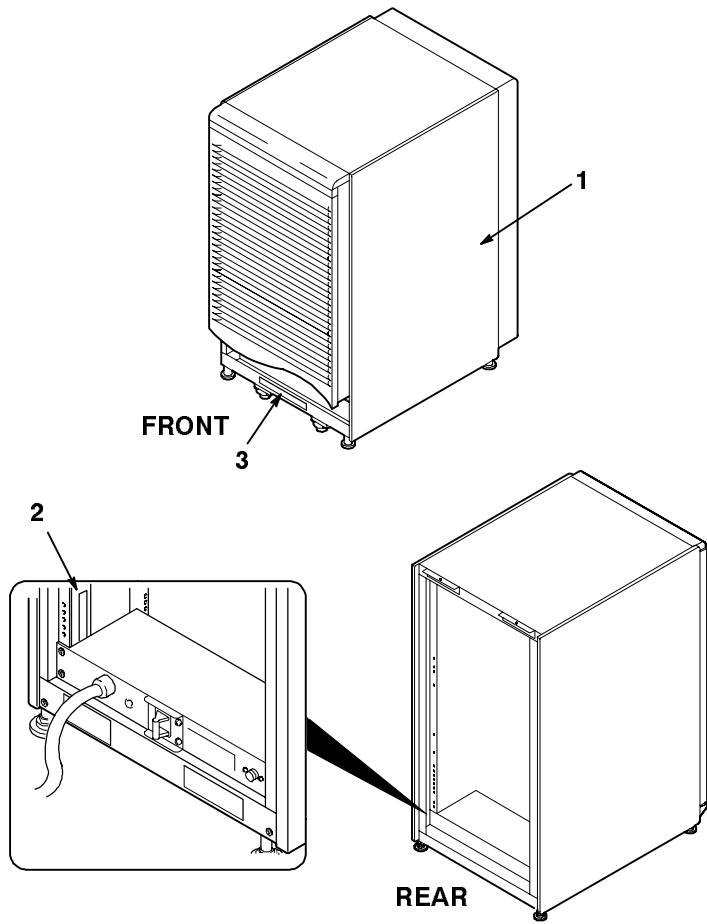


IP-H9A11-2-02B

Figure 2. Cabinet, Front Trim Kit (Gray)

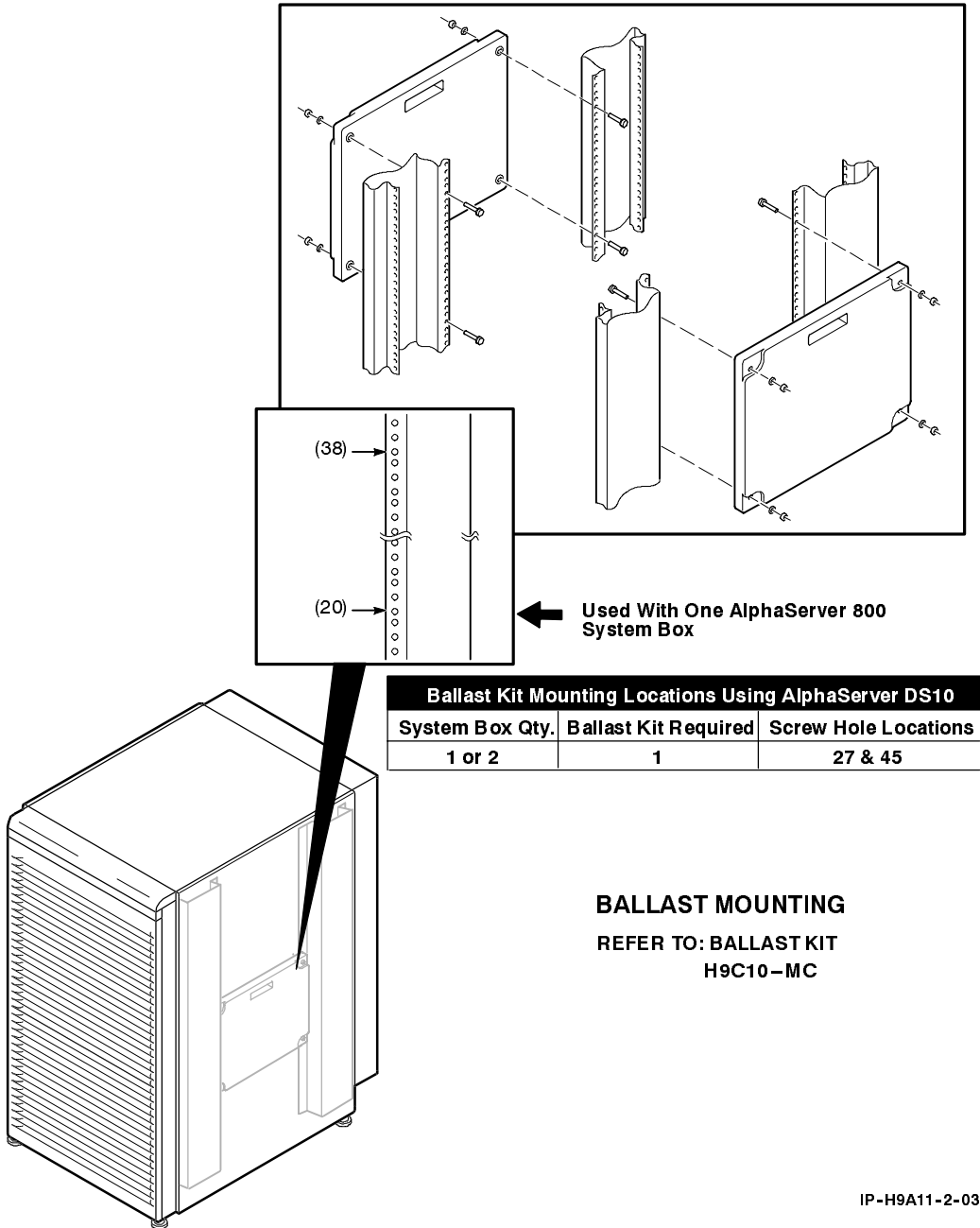
FIG.& ITEM NO.	DESCRIPTION	DIGITAL PART NO.	ECO CUT-IN H9A11-1 ZK001	USED ON CODE	REF FIG NO.
3-	CABINET, FRONT TRIM KIT (BLUE)	H9A11-RE			1
1	*Cabinet Assembly	70-32273-02			
2	*Label, "Serial Power"	36-17674-00			
3	*Label, "Caution Stabilizer Foot"	36-18384-01			
4	*Package Assembly (Not Shown)	37-01309-08			
5	*Documentation, H9A11 Cabinet Installation (Not Shown)	EK-H9A11-IN			

INDICATES FRU LEVEL PARTS.



IP-H9A11-2-02B

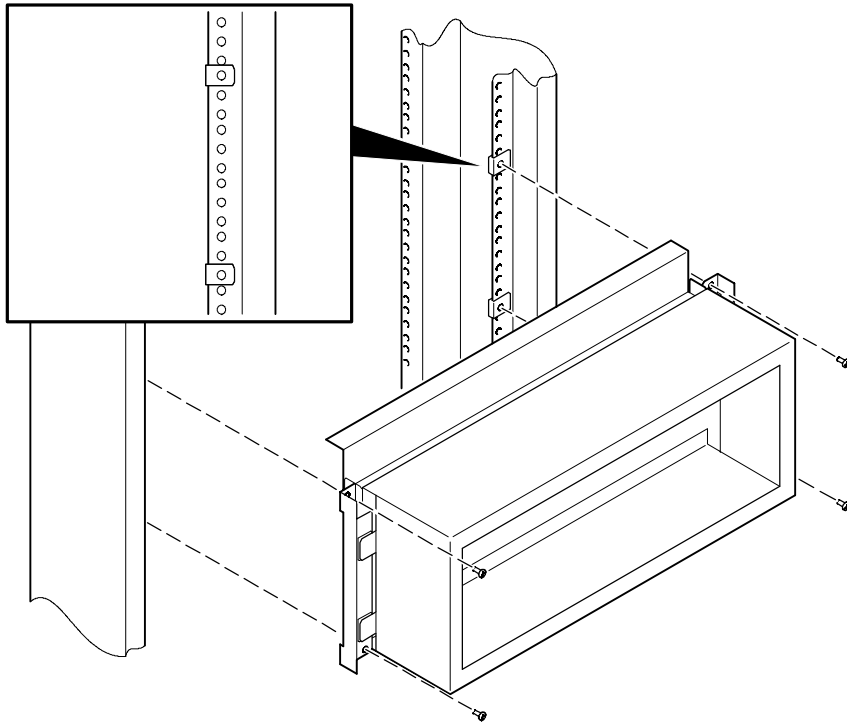
Figure 3. Cabinet, Front Trim Kit (Blue)



IP-H9A11-2-03

Figure 4. AlphaServer 800 Configurations (Sheet 1 of 19)

Screw Hole Locations Are Determined By Rail Mounting Configuration.



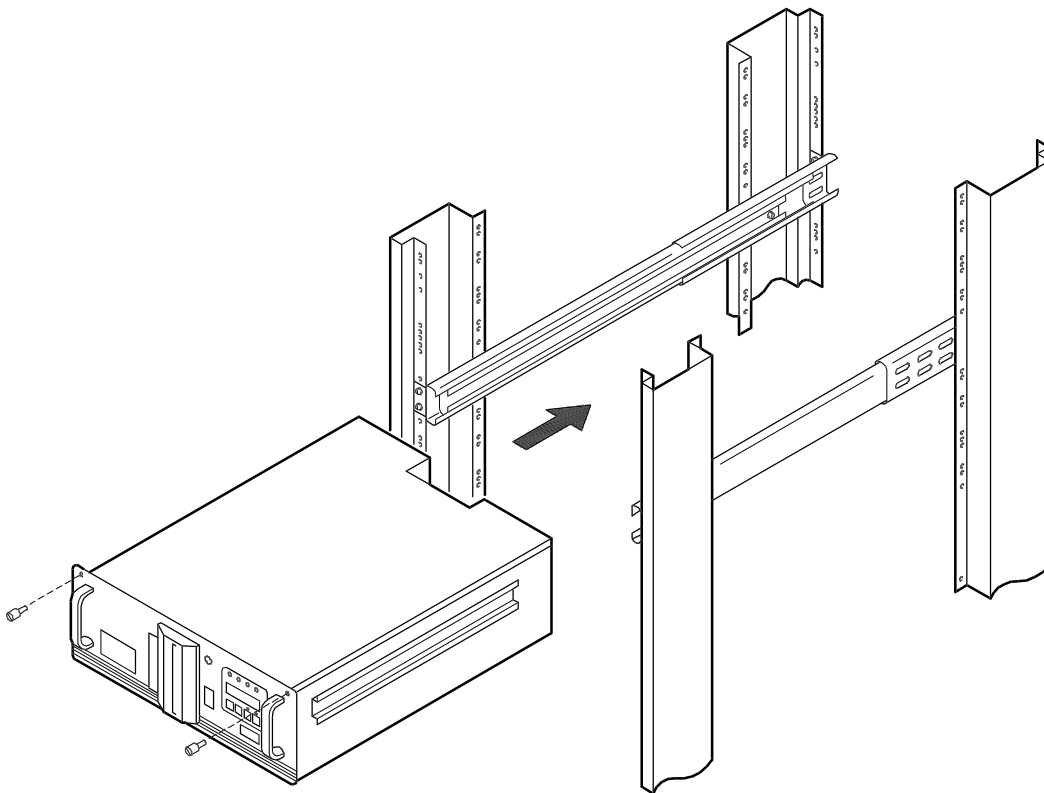
FLUSHING FAN MOUNTING

REFER TO: FLUSHING FAN KITS (REAR)
2T-SW8XF-ER (240V)
2T-SW8XF-SR (120V)

IP-H9A11-2-04

Figure 4. AlphaServer 800 Configurations (Sheet 2 of 19)

Screw Hole Locations Are Determined By Rail Mounting Configuration.

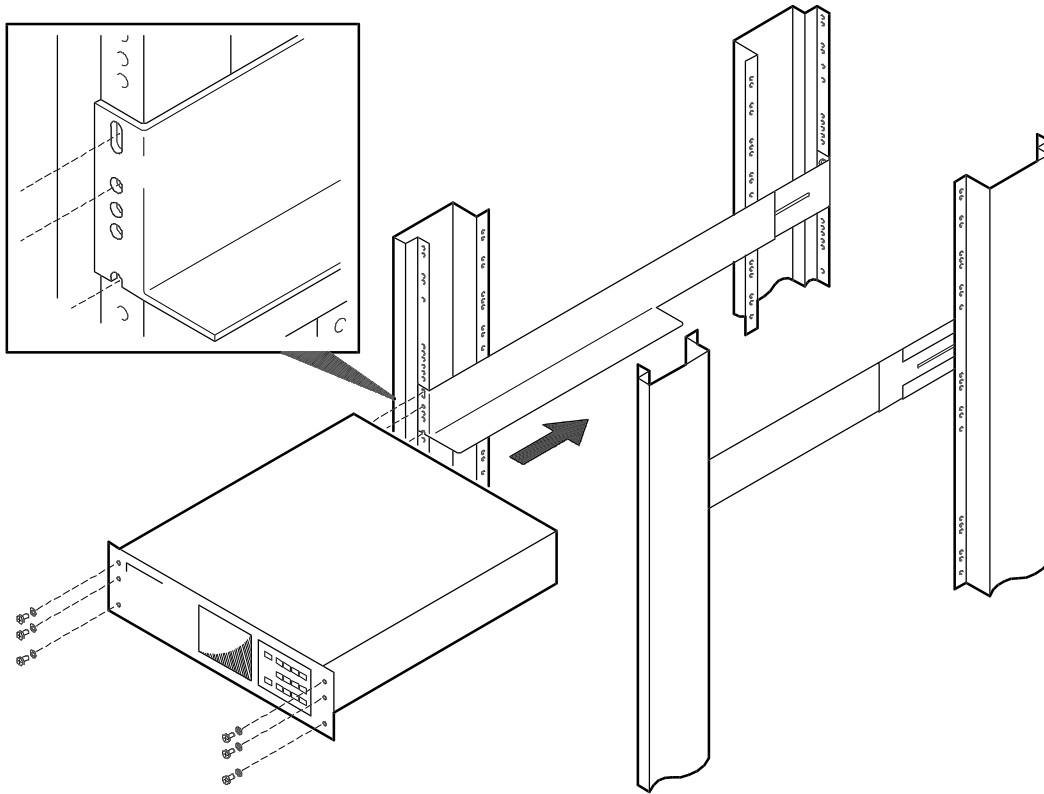


TAPE LIBRARY MOUNTING

REFER TO: DLT MiniLibrary (DS-TL891-NE/NG)

IP-H9A11-2-05

Figure 4. AlphaServer 800 Configurations (Sheet 3 of 19)

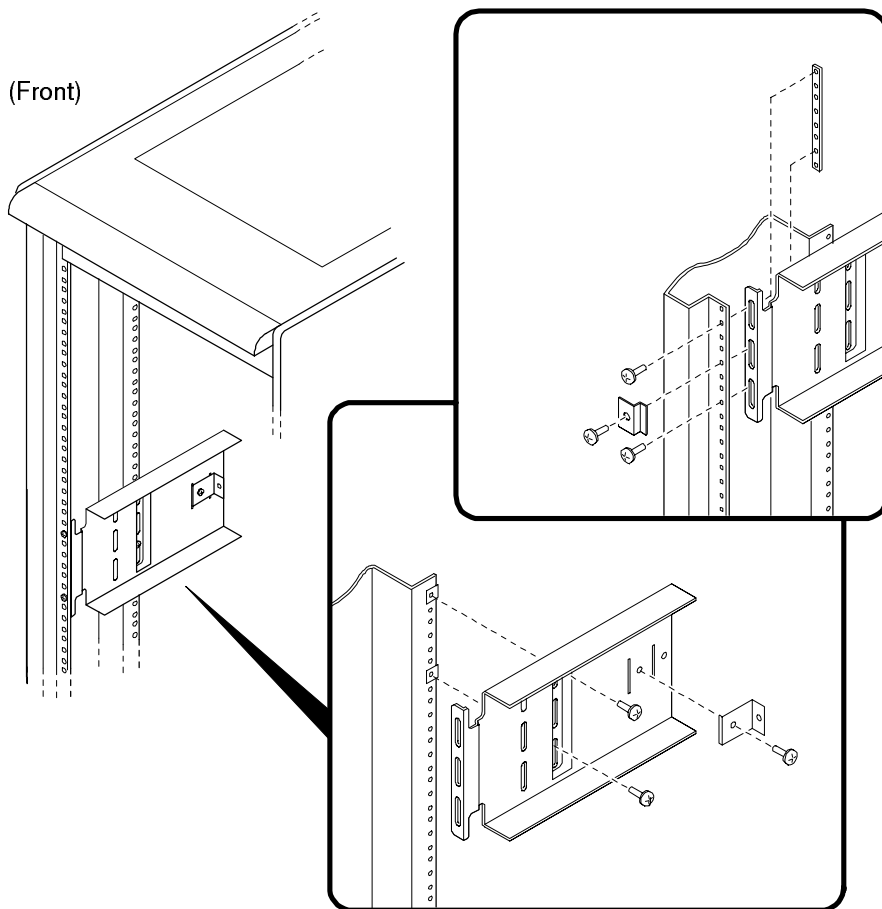


UPS MOUNTING

REFER TO: RAID Array 3000 (DS-SWXRA-GH) (120V)
 (DS-SWXRA-GK) (230V)

IP-H9A11-2-05A

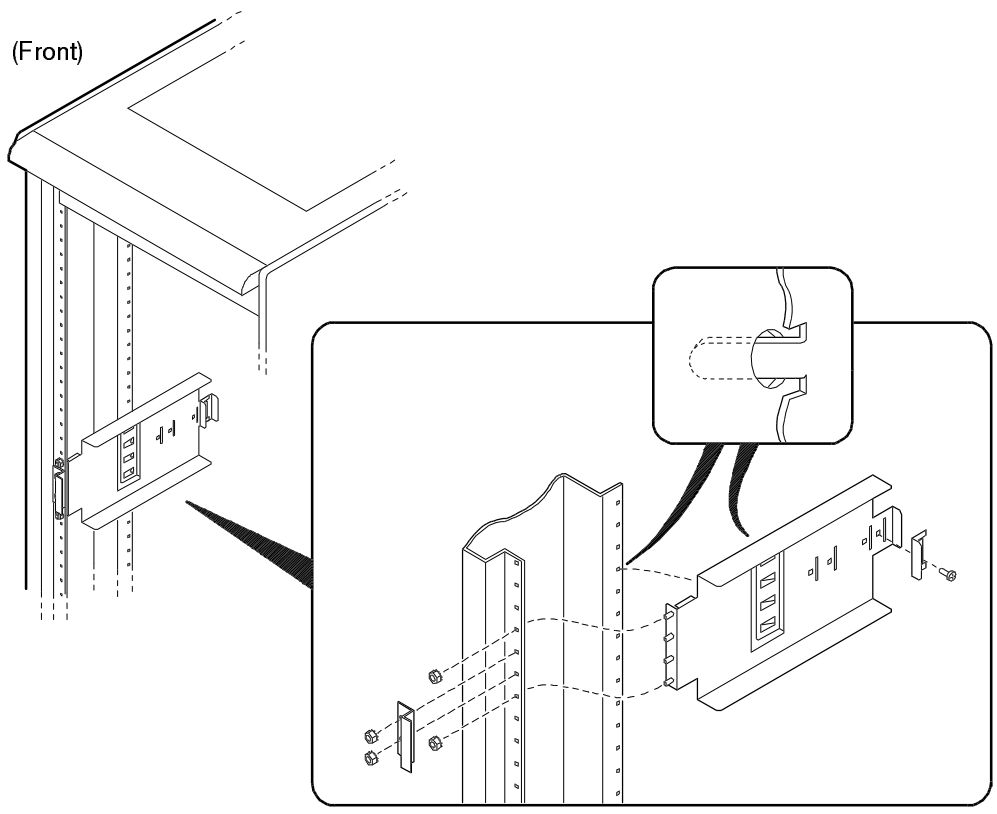
Figure 4. AlphaServer 800 Configurations (Sheet 4 of 19)



BA35X-RB STORAGE SHELF MOUNTING KIT

IP-H9A11-2-06

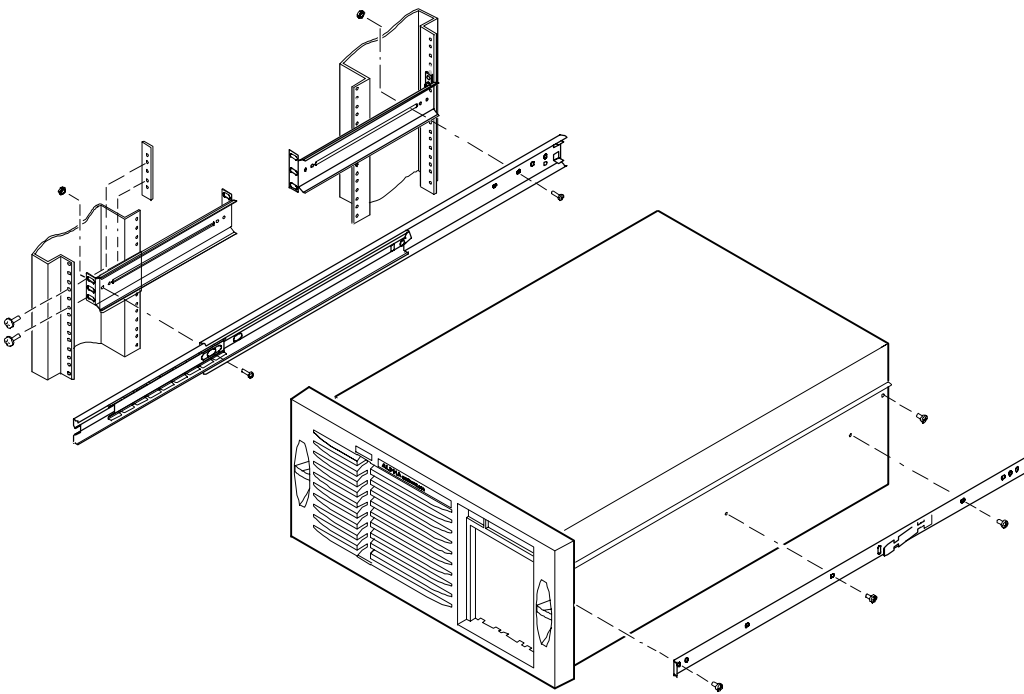
Figure 4. AlphaServer 800 Configurations (Sheet 5 of 19)



BA35X-RK STORAGE SHELF MOUNTING KIT

IP-H9A11-2-07

Figure 4. AlphaServer 800 Configurations (Sheet 6 of 19)

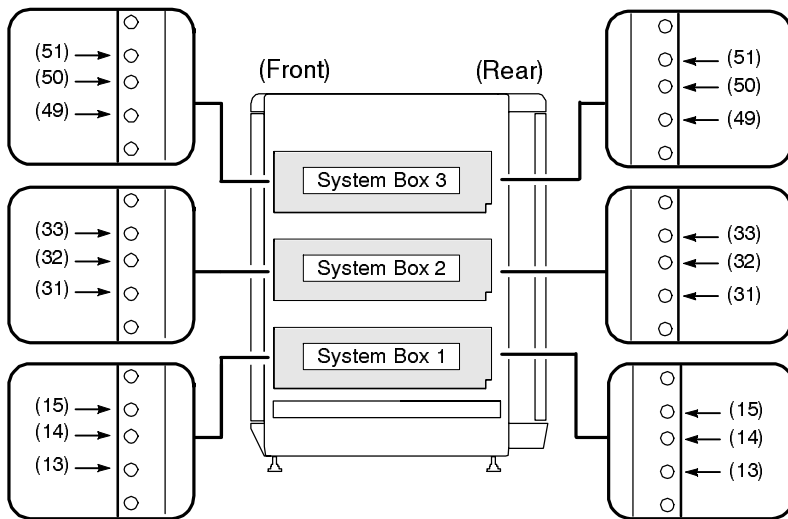


**REFER TO:
AlphaServer 800 RACK MOUNT KIT
PB8HA-BA**

IP-H9A11-2-08

AlphaServer 800 SYSTEM BOX MOUNTING DETAILS

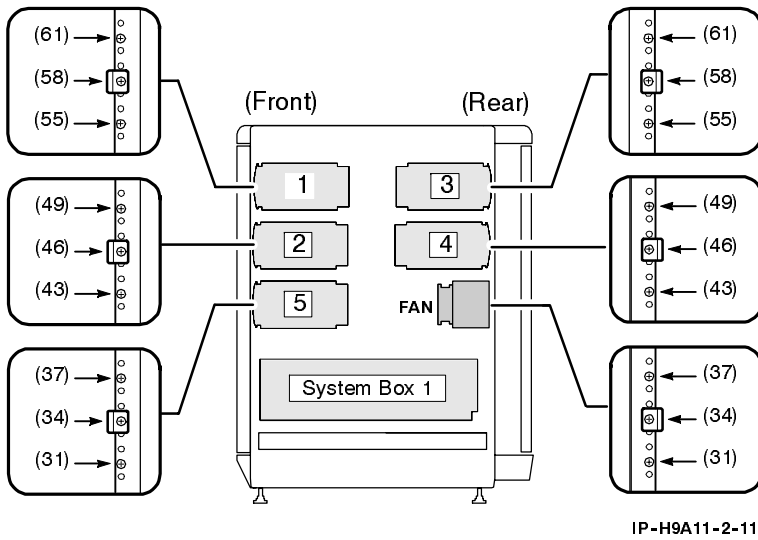
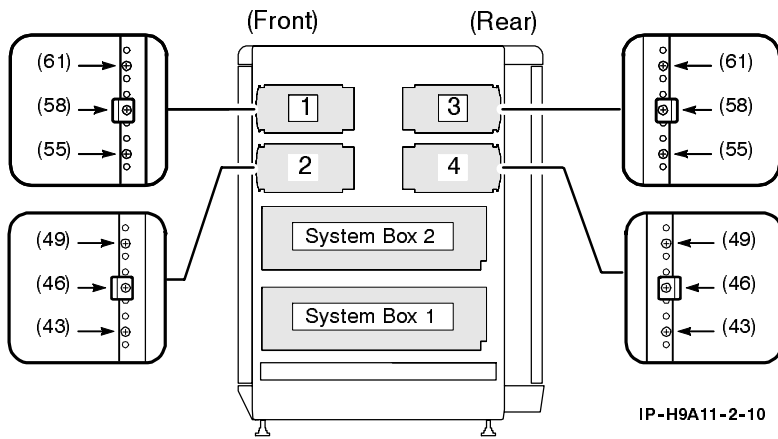
Figure 4. AlphaServer 800 Configurations (Sheet 7 of 19)



AlphaServer 800 SYSTEM BOX MOUNTING LOCATIONS

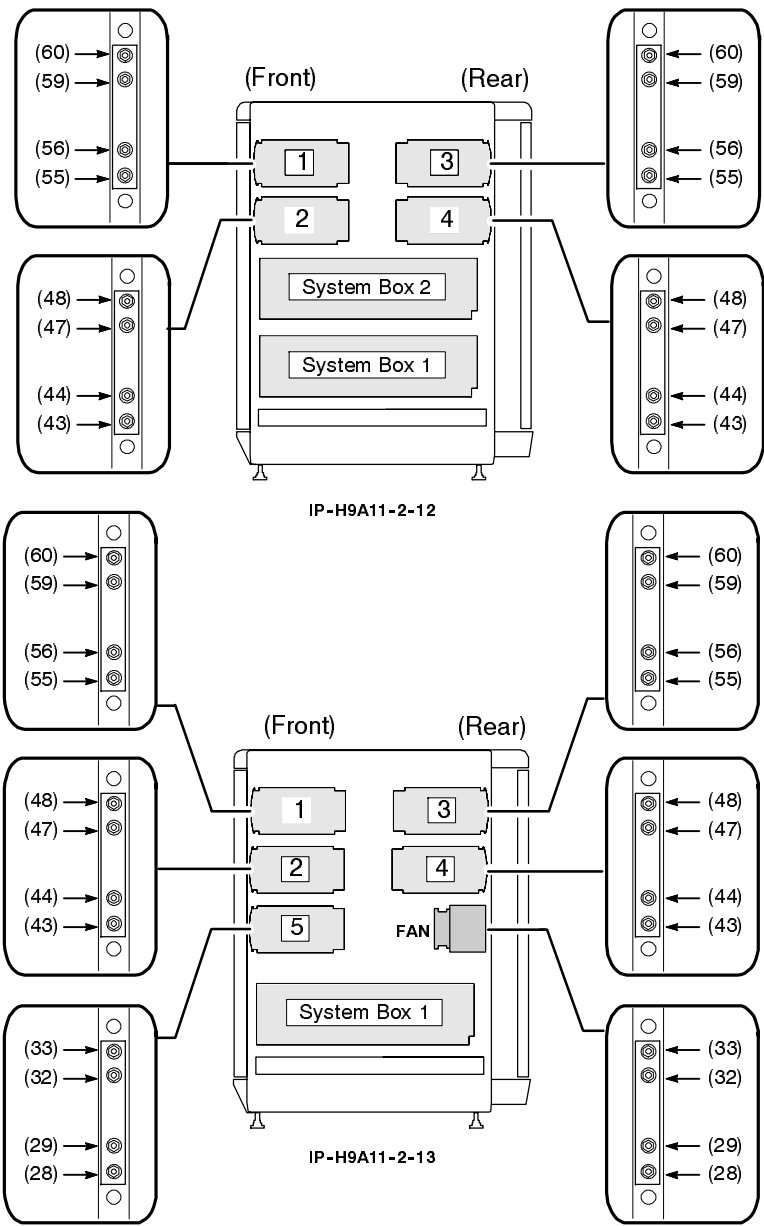
IP-H9A11-2-09

Figure 4. AlphaServer 800 Configurations (Sheet 8 of 19)



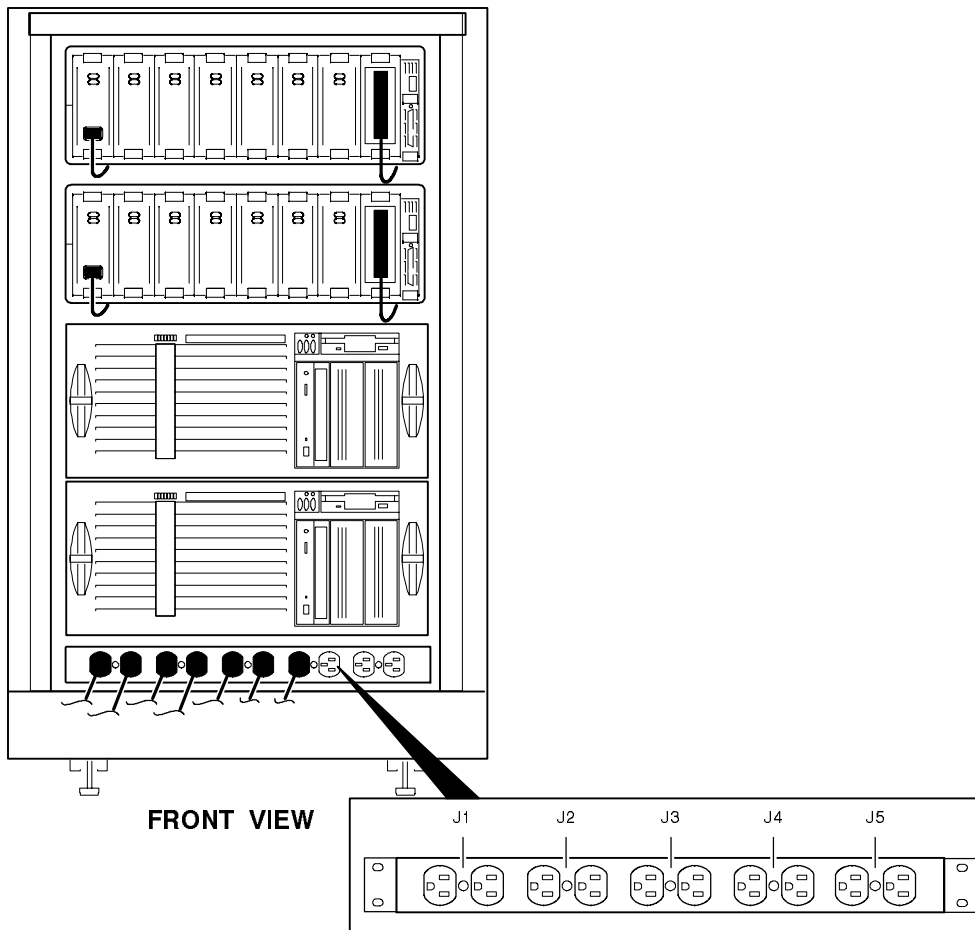
**AlphaServer 800 STORAGE SHELF MOUNTING LOCATIONS
USING BA35X-RB MOUNTING KIT**

Figure 4. AlphaServer 800 Configurations (Sheet 9 of 19)



**AlphaServer 800 STORAGE SHELF MOUNTING LOCATIONS
USING BA35X-RK MOUNTING KIT**

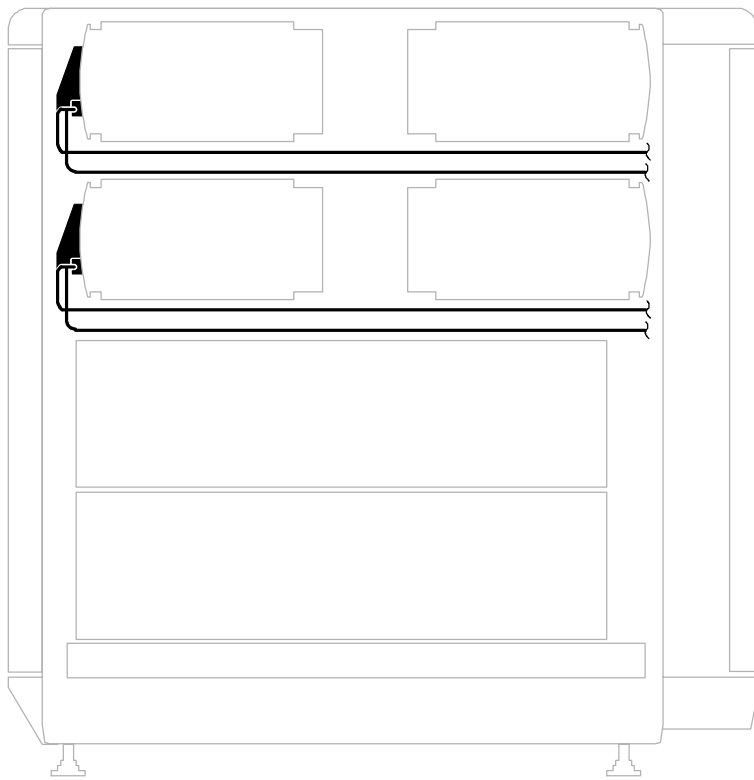
Figure 4. AlphaServer 800 Configurations (Sheet 10 of 19)



AlphaServer 800 CABLING CONFIGURATION

IP-H9A11-2-14

Figure 4. AlphaServer 800 Configurations (Sheet 11 of 19)

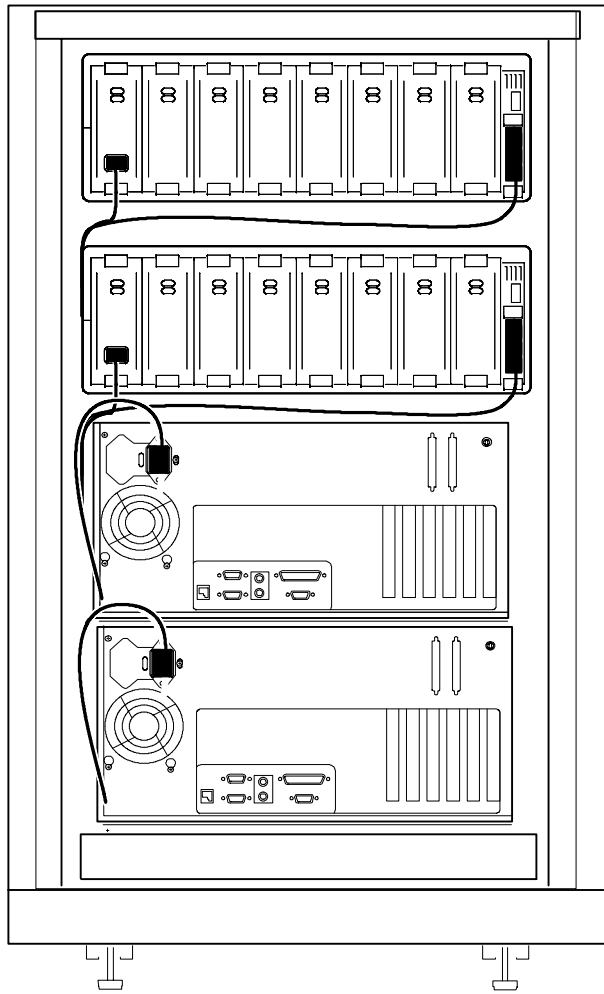


SIDE VIEW

AlphaServer 800 CABLING CONFIGURATION

IP-H9A11-2-14A

Figure 4. AlphaServer 800 Configurations (Sheet 12 of 19)

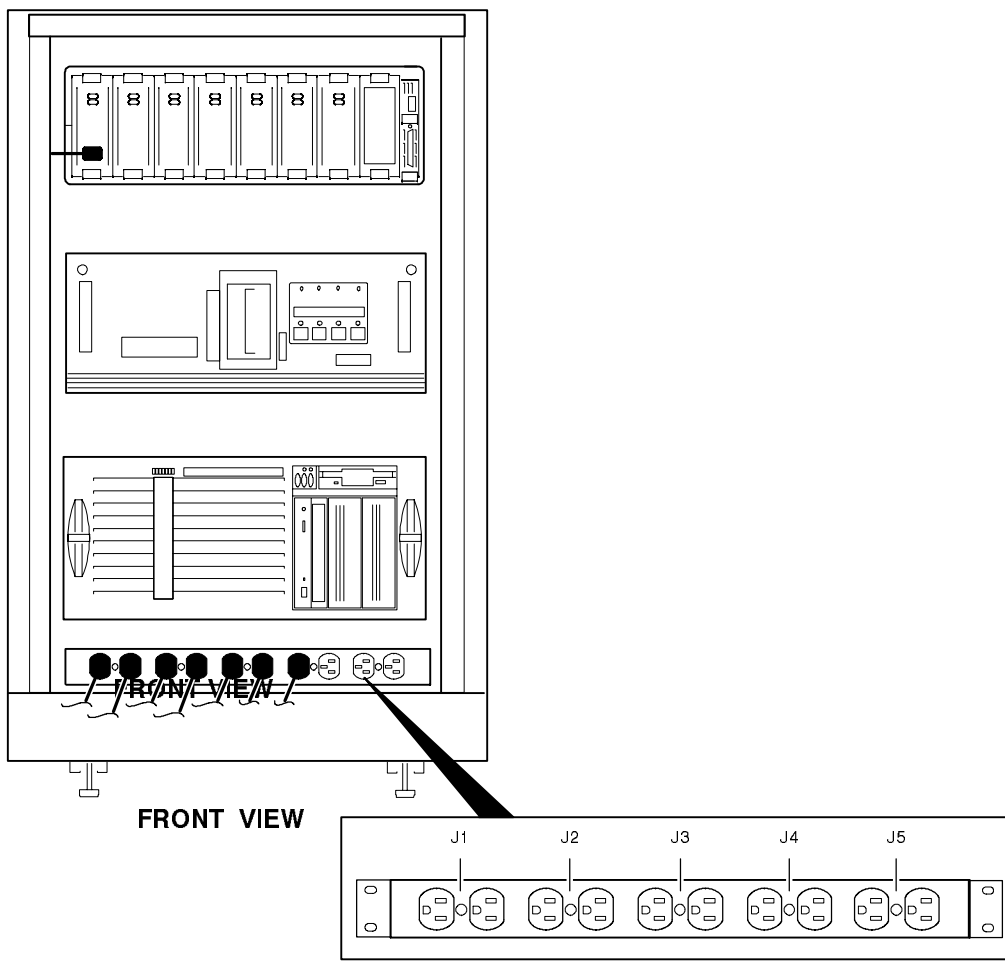


REAR VIEW

AlphaServer 800 CABLING CONFIGURATION

IP-H9A11-2-14B

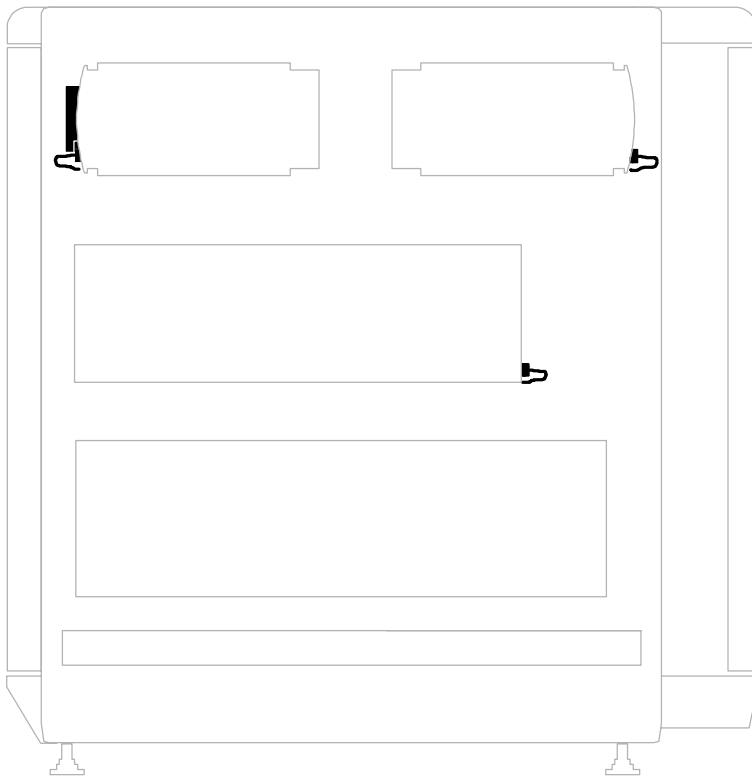
Figure 4. AlphaServer 800 Configurations (Sheet 13 of 19)



**AlphaServer 800 CABLING w/ DLT MiniLibrary BASE MODULE
CABLING CONFIGURATION**

IP-H9A11-2-15

Figure 4. AlphaServer 800 Configurations (Sheet 14 of 19)

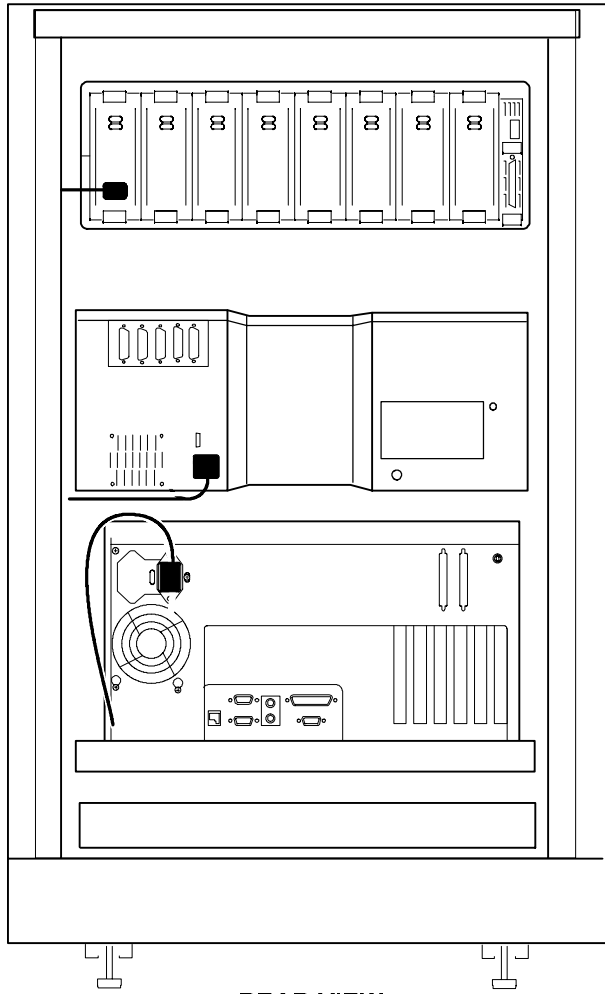


SIDE VIEW

**AlphaServer 800 CABLING w/DLT MiniLibrary BASE MODULE
CABLING CONFIGURATION**

IP-H9A11-2-15A

Figure 4. AlphaServer 800 Configurations (Sheet 15 of 19)

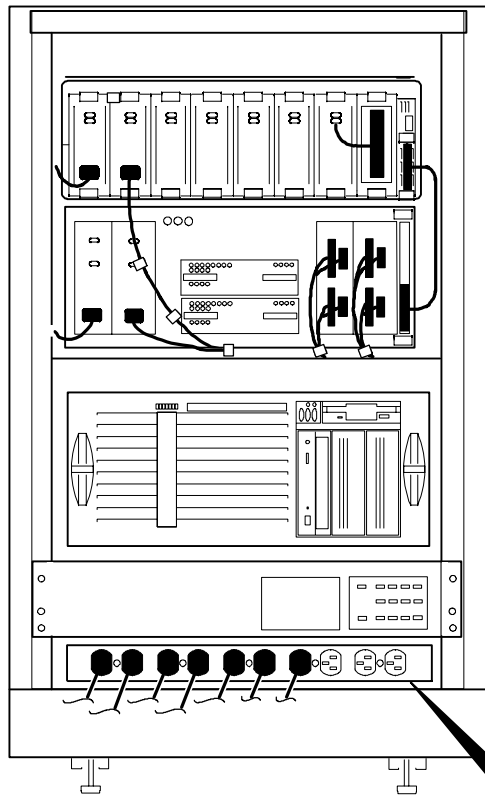


REAR VIEW

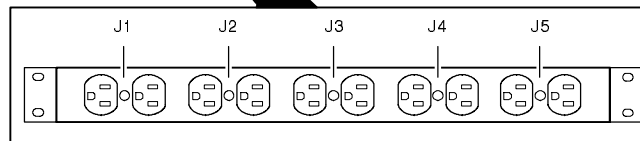
**AlphaServer 800 CABLING w/DLT MiniLibrary BASE MODULE
CABLING CONFIGURATION**

IP-H9A11-2-15B

Figure 4. AlphaServer 800 Configurations (Sheet 16 of 19)



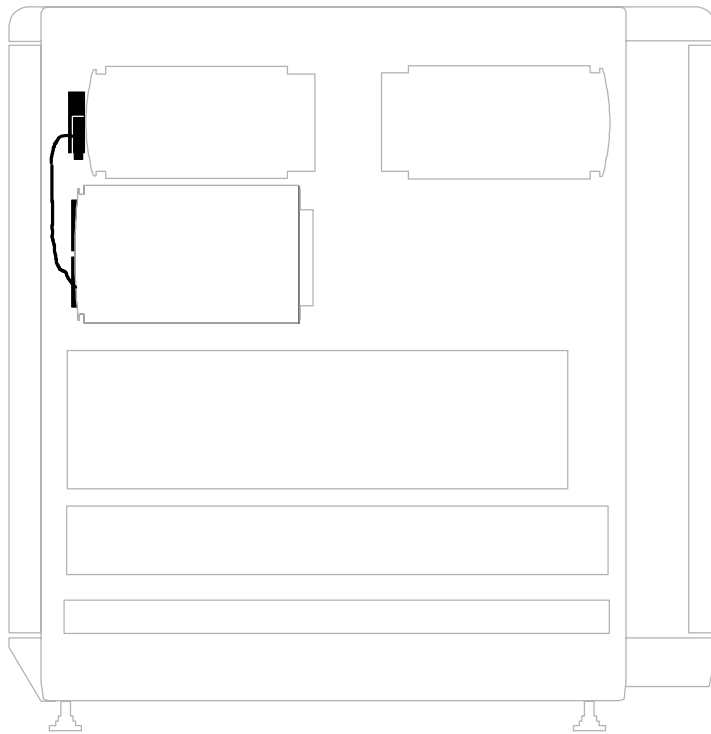
FRONT VIEW



AlphaServer 800 w/RAID Array 3000 CABLING CONFIGURATION

IP-H9A11-2-16

Figure 4. AlphaServer 800 Configurations (Sheet 17 of 19)

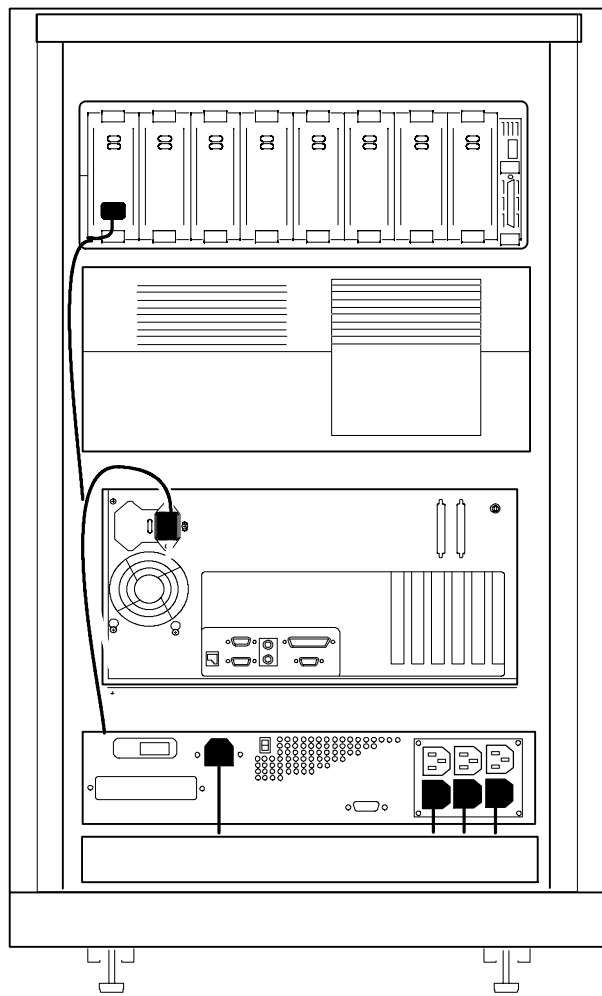


SIDE VIEW

AlphaServer 800 w/RAID Array 3000 CABLING CONFIGURATION

IP-H9A11-2-16A

Figure 4. AlphaServer 800 Configurations (Sheet 18 of 19)

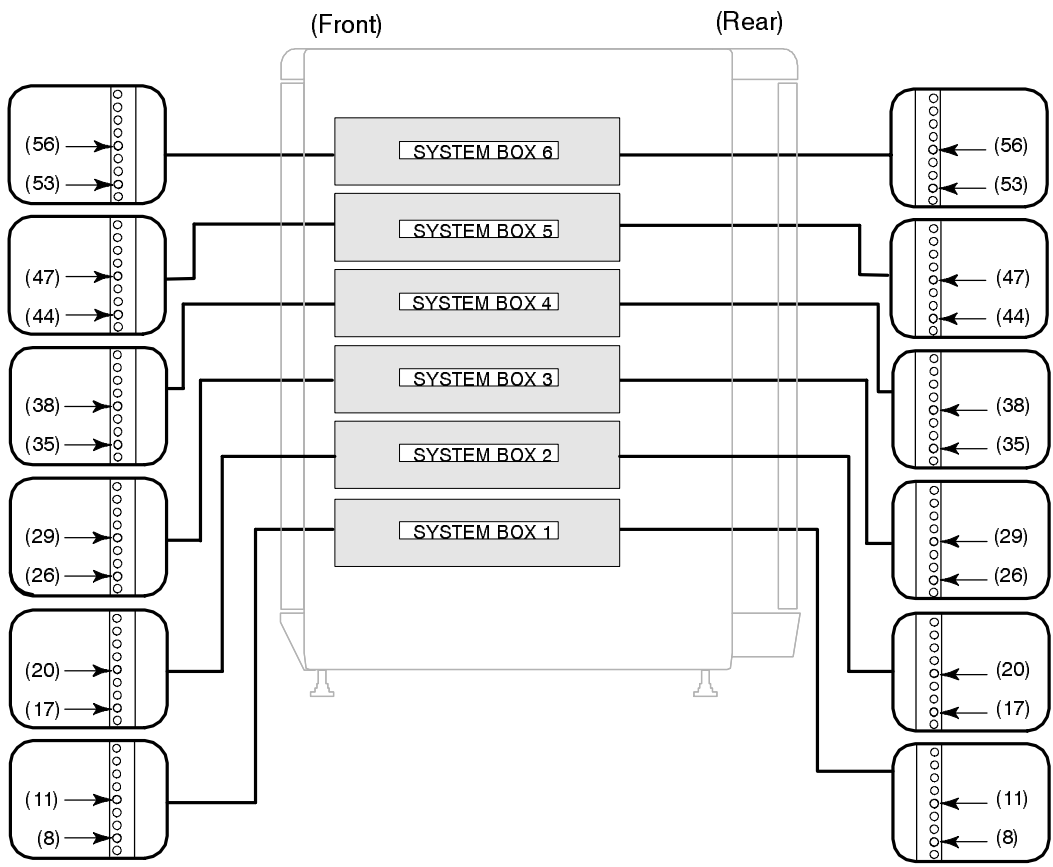


REAR VIEW

AlphaServer 800 w/RAID Array 3000 CABLING CONFIGURATION

IP-H9A11-2-16B

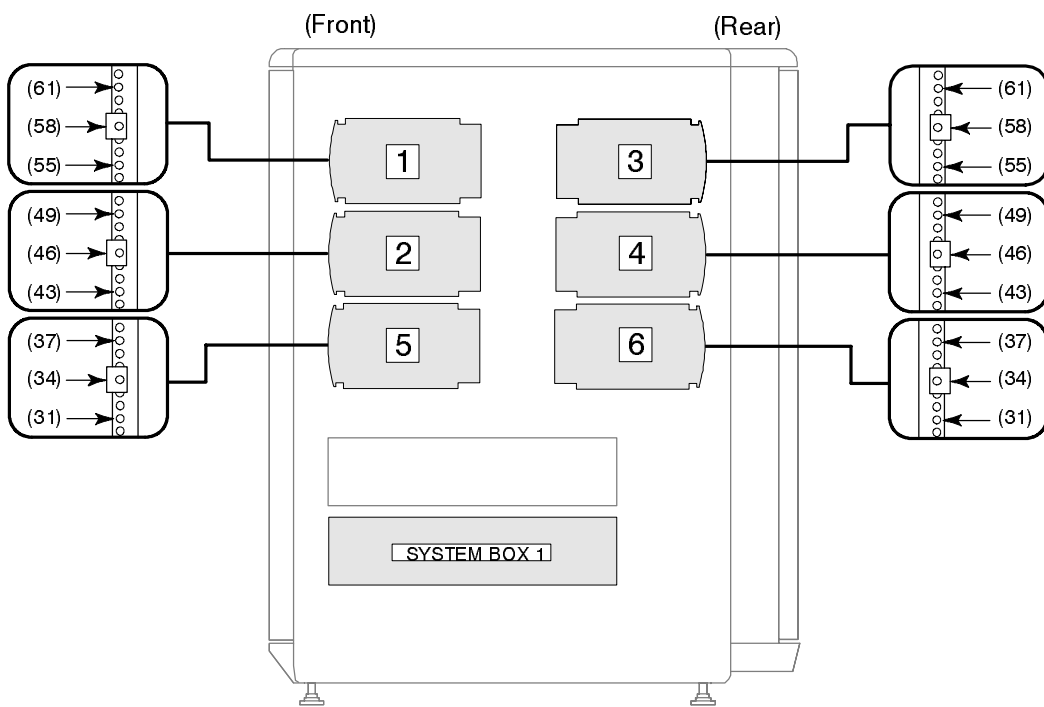
Figure 4. AlphaServer 800 Configurations (Sheet 19 of 19)



AlphaServer DS10 SYSTEM BOX MOUNTING LOCATIONS

IP-H9A11-2-17

Figure 5. AlphaServer DS10 Configurations (Sheet 1 of 2)



**AlphaServer DS10 STORAGE SHELF MOUNTING LOCATIONS
 USING BA35X-RB MOUNTING KIT
 FOR BA35X-RK MOUNTING KIT, SEE PAGE 18**

IP-H9A11-2-18

Figure 1. AlphaServer DS10 Configurations (Sheet 2 of 2)

PART NUMBER/DESCRIPTION INDEX



INDEX BY DIGITAL PART NUMBER

H9A11 M-Series Cabinet

PART NUMBER	DESCRIPTION	FIG.-ITEM NUMBER
36-17674-00	Label, "Serial Power"	2-2, 3-2
36-18384-01	Label, "Caution Stabilizer Foot"	2-3, 3-3
36-22516-02	Label, "Warning High Leakage Current"	1-6
36-41348-A3	Label, "Regulatory" (U.S.)	1-5
36-41348-A4	Label, "Regulatory" (U.K.)	1-5
36-41348-A5	Label, "Regulatory" (Singapore)	1-5
37-01309-08	Package Assembly (Not Shown)	2-4, 3-3
3X-H7601-AA	Power Strip Assembly (120V)	1-N/A
3X-H7601-AB	Power Strip Assembly (240V)	1-N/A
3X-PBX01-AB	AlphaServer DS10 Rack Mount Kit	1-N/A
70-32273-01	Cabinet Assembly	2-1
70-32273-02	Cabinet Assembly	3-1
DS-SWXRA-GH	RAID Array 3000 (120V)	1-N/A
DS-SWXRA-GK	RAID Array 3000 (230V)	1-N/A
DS-TL891-NE	DLT MiniLibrary Base Module (Blue)	1-N/A
DS-TL891-NG	DLT MiniLibrary Base Module (Gray)	1-N/A
EK-H9A11-CN	Documentation, H9A11 Cabinet Service Access Advisory (Not Shown)	1-4
EK-H9A11-IN	Documentation, H9A11 Cabinet Installation (Not Shown)	2-5, 3-5
H3400-AA	Blank Bezel Kit (Gray) (Not Shown)	1-3
H3400-AB	Blank Bezel Kit (Blue) (Not Shown)	1-3
H7600-AA	Power Controller Strip (100-120V)	1-2
H7600-DB	Power Distribution Unit (200-240V)	1-2
H9A11-BE	CABINET, FRONT TRIM KIT (GRAY)	1-1, 2-N/A
H9A11-MA	CABINET ASSEMBLY, 1.1M, GRAY (120V)	1-A
H9A11-MB	CABINET ASSEMBLY, 1.1M, GRAY (240V)	1-B
H9A11-MC	CABINET ASSEMBLY, 1.1M, BLUE (120V)	1-C
H9A11-MD	CABINET ASSEMBLY, 1.1M, BLUE (240V)	1-D
H9A11-RE	CABINET, FRONT TRIM KIT (BLUE)	1-1, 3-N/A
H9C10-MC	Ballast Kit	1-N/A
H9C11-EA	Front Door Kit (Gray)	1-N/A
H9C11-EB	Front Door Kit (Blue)	1-N/A
PB8HA-BA	AlphaServer 800 Rack Mount Kit	1-N/A

INDEX BY DIGITAL PART DESCRIPTION
H9A11 M-Series Cabinet

DESCRIPTION	PART NUMBER	FIG.-ITEM NUMBER
AlphaServer 800 Rack Mount Kit	PB8HA-BA	1-N/A
AlphaServer DS10 Rack Mount Kit	3X-PBX01-AB	1-N/A
Ballast Kit	H9C10-MC	1-N/A
Blank Bezel Kit (Blue) (Not Shown)	H3400-AB	1-3
Blank Bezel Kit (Gray) (Not Shown)	H3400-AA	1-3
Cabinet Assembly	70-32273-01	2-1
Cabinet Assembly	70-32273-02	3-1
CABINET ASSEMBLY, 1.1M, BLUE (120V)	H9A11-MC	1-C
CABINET ASSEMBLY, 1.1M, BLUE (240V)	H9A11-MD	1-D
CABINET ASSEMBLY, 1.1M, GRAY (120V)	H9A11-MA	1-A
CABINET ASSEMBLY, 1.1M, GRAY (240V)	H9A11-MB	1-B
CABINET, FRONT TRIM KIT (BLUE)	H9A11-RE	1-1, 3-N/A
CABINET, FRONT TRIM KIT (GRAY)	H9A11-BE	1-1, 2-N/A
DLT MiniLibrary Base Module (Blue)	DS-TL891-NE	1-N/A
DLT MiniLibrary Base Module (Gray)	DS-TL891-NG	1-N/A
Documentation, H9A11 Cabinet Installation (Not Shown)	EK-H9A11-IN	2-5, 3-5
Documentation, H9A11 Cabinet Service Access Advisory (Not Shown)	EK-H9A11-CN	1-4
Front Door Kit (Blue)	H9C11-EB	1-N/A
Front Door Kit (Gray)	H9C11-EA	1-N/A
Label, "Caution Stabilizer Foot"	36-18384-01	2-3, 3-3
Label, "Regulatory" (Singapore)	36-41348-A5	1-5
Label, "Regulatory" (U.K.)	36-41348-A4	1-5
Label, "Regulatory" (U.S.)	36-41348-A3	1-5
Label, "Serial Power"	36-17674-00	2-2, 3-2
Label, "Warning High Leakage Current"	36-22516-02	1-6
Package Assembly (Not Shown)	37-01309-08	2-4, 3-4
Power Controller Strip (100-120V)	H7600-AA	1-2
Power Distribution Unit (200-240V)	H7600-DB	1-2
Power Strip Assembly (120V)	3X-H7601-AA	1-N/A
Power Strip Assembly (240V)	3X-H7601-AB	1-N/A
RAID Array 3000 (120V)	DS-SWXRA-GH	1-N/A
RAID Array 3000 (230V)	DS-SWXRA-GK	1-N/A

