

H9A15 M-Series Cabinet  

---

Illustrated Parts Breakdown

Order Number: EK-H9A15-IP. C01

**Compaq Computer Corporation**  
**Maynard, Massachusetts**

Compaq Computer Corporation reserves the right, without notice, to make substitutions and modifications in the specifications of products documented in this manual and further reserves the right to withdraw any of these products from the market without notice.

Compaq Computer Corporation is not responsible for errors which may appear in the technical description (including illustrations and photographs) of the products covered by this manual.

None of the descriptions contained in this manual imply the granting of any license whatsoever to make, use or sell equipment constructed in accordance therewith.

Restricted Rights: Use, duplication or disclosure by the U.S. Government is subject to restrictions as set forth in subparagraph (c) (1) (ii) of the Rights in Technical Data and Computer Software clause at DFARS 252.227-2713.

Copyright ©1998, 1999 by Compaq Computer Corporation. All rights reserved.  
Printed in U.S.A.

Compaq, the Compaq logo, DEC, Deskpro, DIGITAL, OpenVMS, ProLiant, and SmartStart registered in United States Patent and Trademark Office.

The following are third party trademarks:

IBM is a registered trademark of International Business Machines, Inc.

Microsoft and Windows NT are registered trademarks of Microsoft Corporation.

UNIX is a registered trademark in the United States and other countries, licensed exclusively through X/Open Company Ltd.

#### **Reader's Comments**

Compaq welcomes your comments on this manual.  
You can send your comments to Compaq at the address below:

Compaq Computer Corporation  
Systems Engineering and Options  
129 Parker Street  
PKO3-1/20C  
Maynard, MA 01754-2199

Please reference EK-H9A15-IP. C01 in your correspondence.

# ILLUSTRATED PARTS BREAKDOWN

## H9A15 M-Series Cabinet

### ILLUSTRATED PARTS BREAKDOWN (IPB)

The IPB is used to identify a part and its location in a hardware product. The document references specific item numbers in the associated parts list.

#### HOW TO USE THE IPB

1. Locate the figure containing the item of interest.
2. Locate the number (callout) of the item of interest.
3. Locate that item number in the associated parts list.

#### FORMAT

Each IPB is generally organized based on its first figure. All other assemblies and subassemblies are referenced from this figure. Each figure contains numeric callouts of all major parts (items).

#### PARTS LIST

Each parts list contains the following:

**Figure and Item No.** - Lists the figure number and its referenced numeric callout

**Description** - Presents the name and a brief description of the item. A single asterisk (\*) preceding the description denotes item is a

subassembly to its referenced figure. A double asterisk (\*\*) preceding the description indicates that this item is subordinate to the preceding single asterisk item.

**DIGITAL Part No.** - Lists the DIGITAL/Vendor part number. The letter in the column heading indicates the current revision level of the Engineering Drawing for the referenced figure.

**ECO Cut-In** - Lists the top assembly drawing number and revision level at first printing. All additional revisions to an item are listed in this column.

**Used On Code** - Lists letters referring to the product variation assigned in Figure 1. When this column is blank, the item is used in all variations.

**Ref Fig No.** - Lists a cross reference between figures within the IPB.

#### PART NUMBER/PART DESCRIPTION INDEX SECTION

Lists items by part number numerically, and description alphabetically. Items are also referenced to a location within the IPB by figure and item number.

### ECO/REVISION HISTORY

ECO/REVISION HISTORY					OTHER IPB MANUALS REFERENCED
FIGURE NO.	ASSEMBLY	INITIAL LEVEL	CURRENT LEVEL	PRINTING DATE	
1	H9A15-3	ZK000	ZK006	July 1999	EK-H7601-IP
2	H9A15-2	ZK000	H9A15-3-ZK004		
3	Mounting Kits				
4	AlphaServer 4000 AlphaServer 4100 Configurations				
5	AlphaServer 1200 & AlphaServer DS20 Configurations				
6	AlphaServer 800 Configurations				
7	AlphaServer ES40 Configurations				
8	AlphaServer DS10 Configurations				



INDICATES FRU LEVEL PARTS.

PARTS LIST

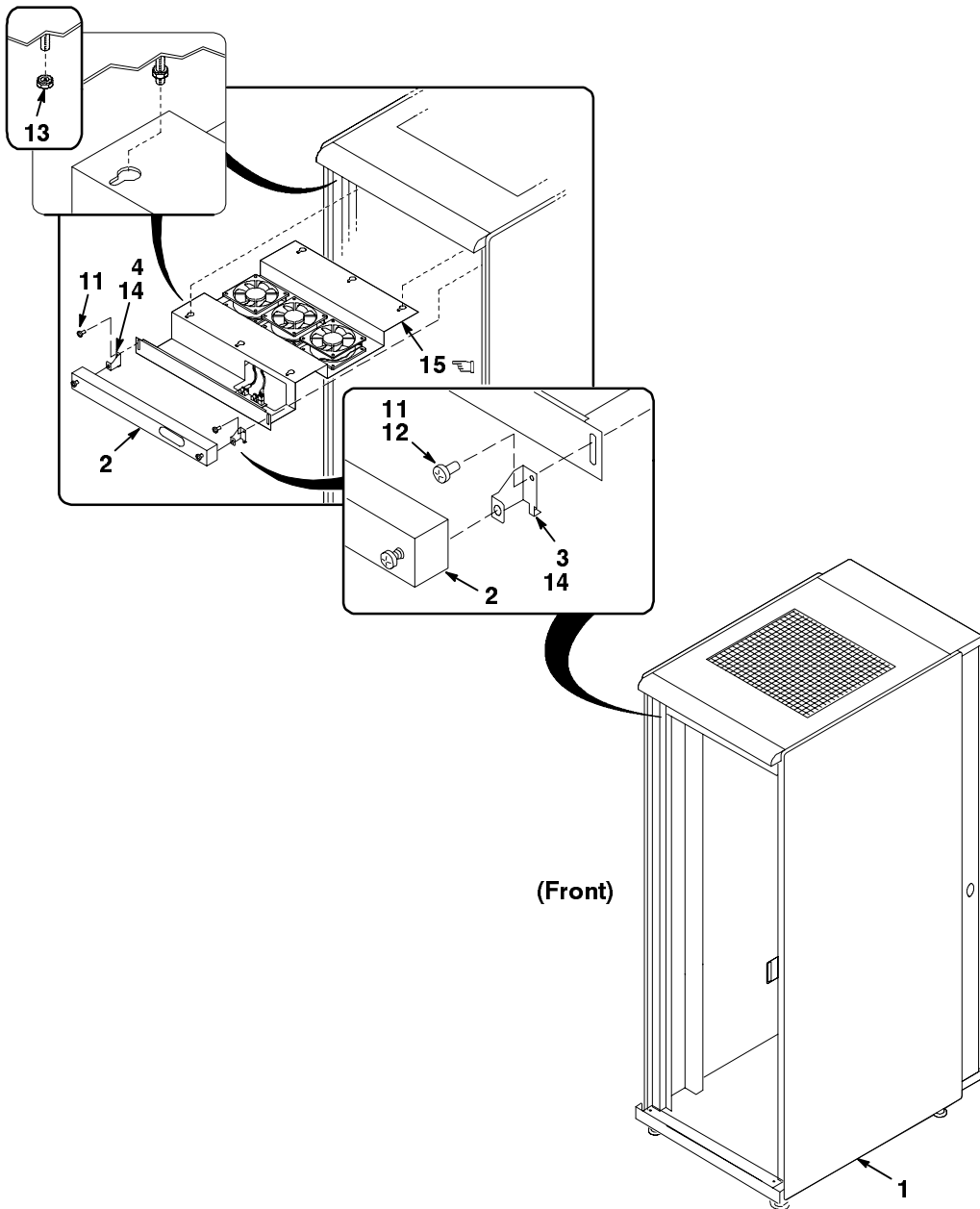
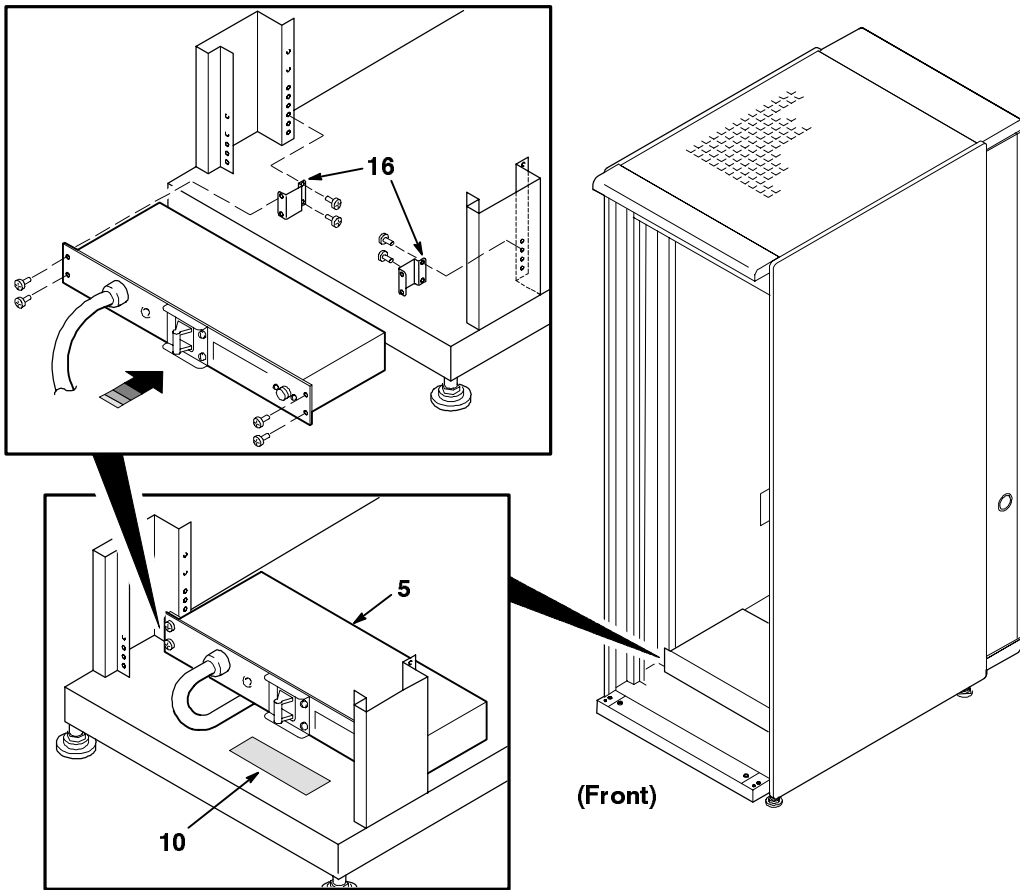


Figure 1. H9A15 M-Series Cabinet Assembly (Sheet 1 of 9)

IP-00385-01

INDICATES FRU LEVEL PARTS.

PARTS LIST

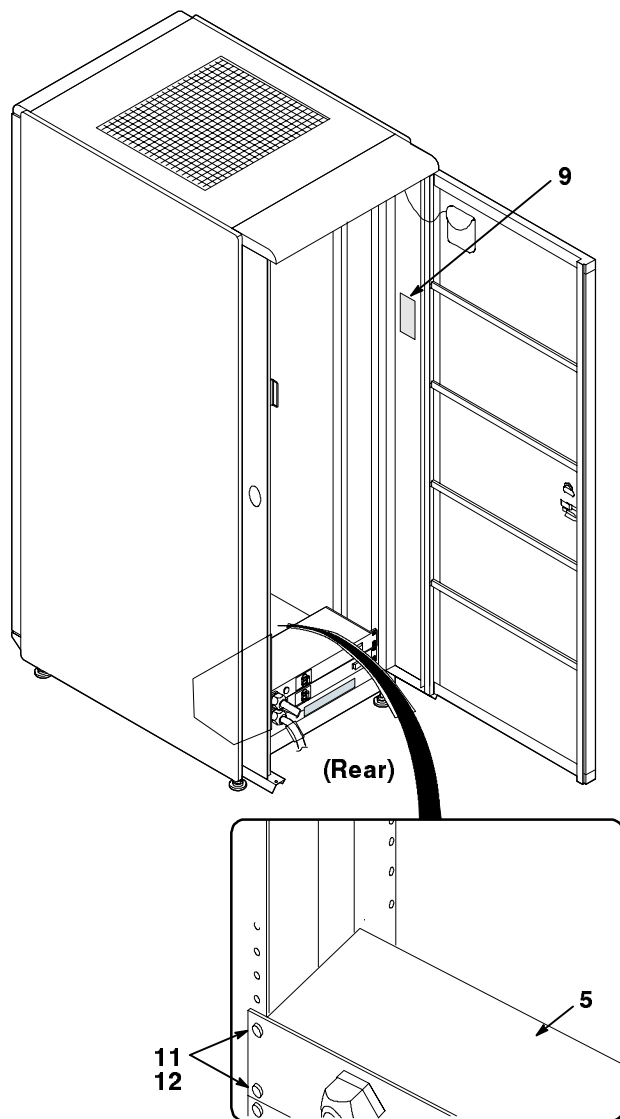


IP-H9A10-5-37

Figure 1. H9A15 M-Series Cabinet Assembly (Sheet 2 of 9)

INDICATES FRU LEVEL PARTS.

PARTS LIST

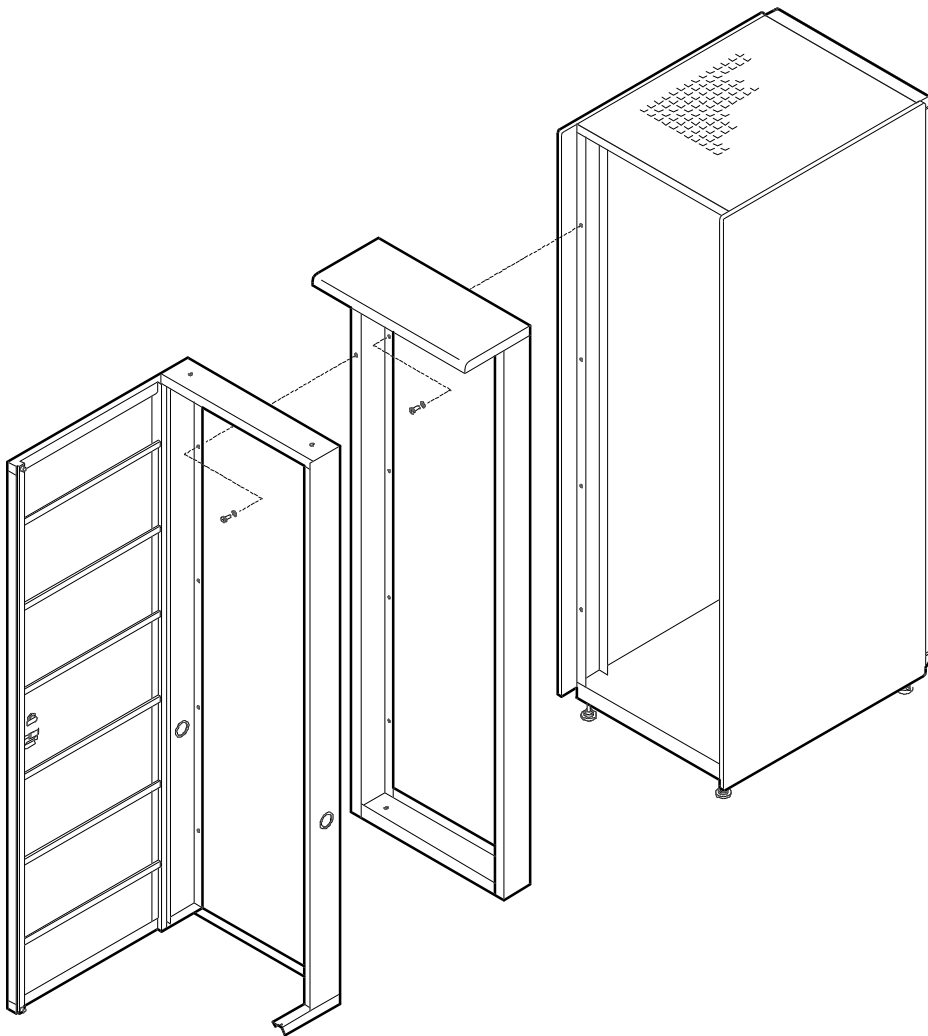


IP-00387-01

Figure 1. H9A15 M-Series Cabinet Assembly (Sheet 3 of 9)

INDICATES FRU LEVEL PARTS.

PARTS LIST



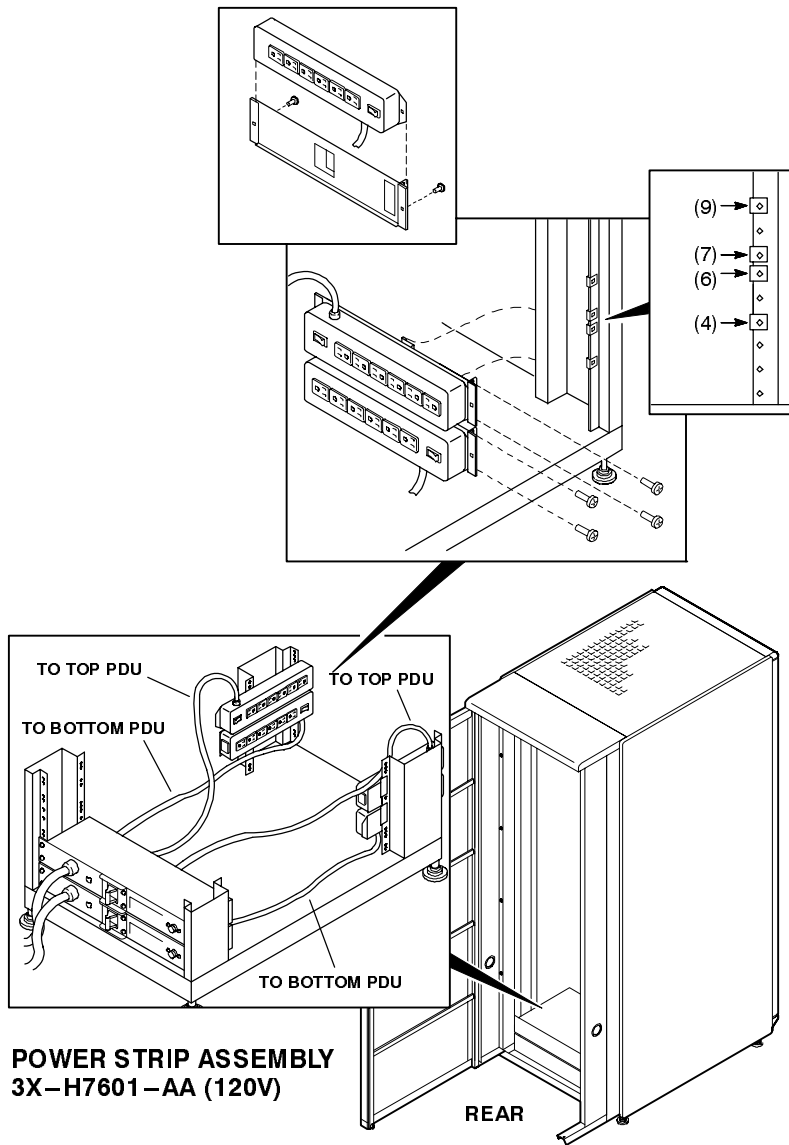
**CABINET REAR EXTENDER KIT**  
**H9C15 – NE (GRAY)**  
**H9C15 – TE (BLUE)**

IP-H9A15-3-17

*Figure 1. H9A15 M- Series Cabinet Assembly (Sheet 4 of 9)*



**PARTS LIST** 

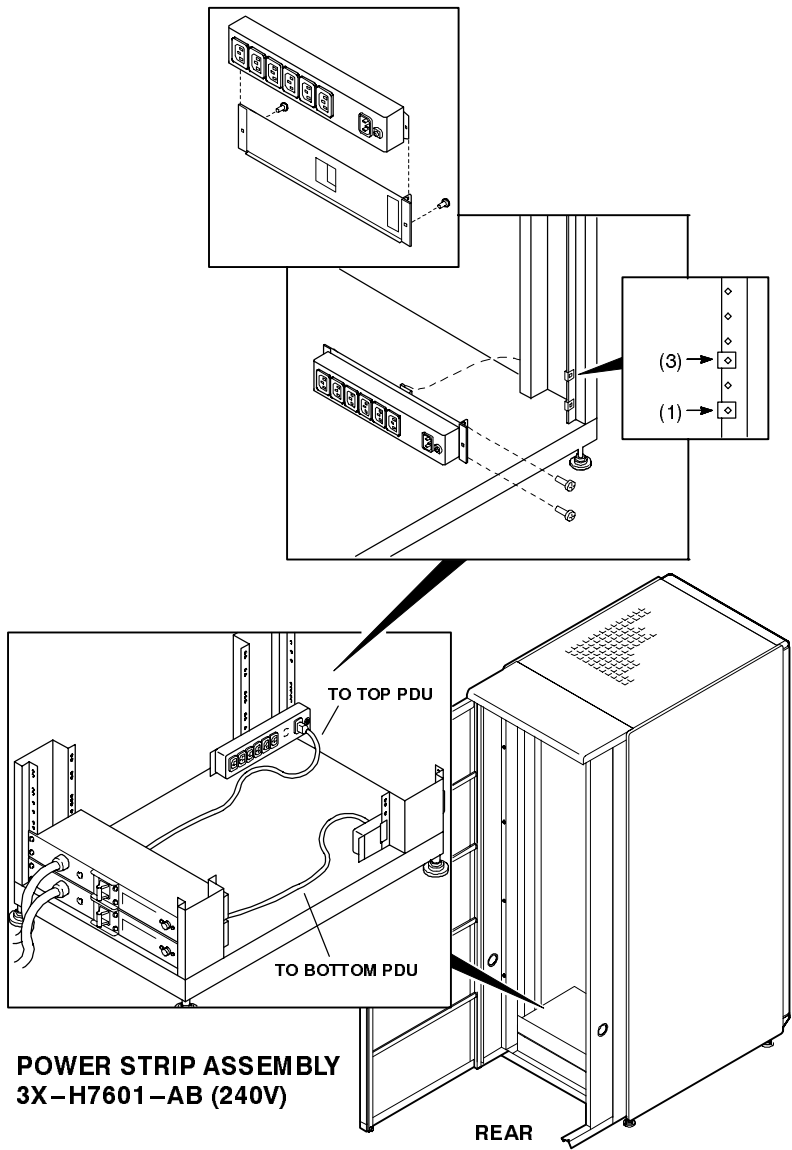


REF. M-Series Power Strip Kit Illustrated Parts Breakdown  
EK-H7601-IP

IP-H7601-03

**Figure 1. H9A15 M-Series Cabinet Assembly (Sheet 5 of 9)**

**PARTS LIST** 

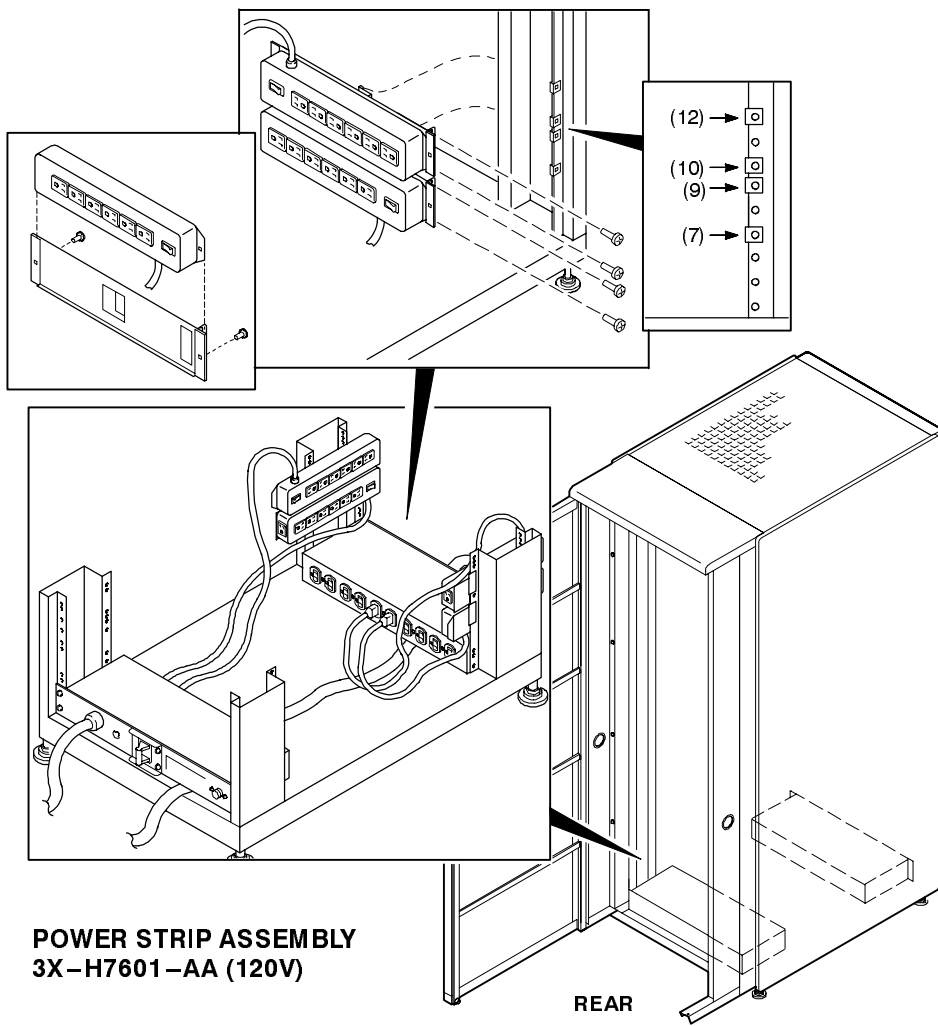


REF. M-Series Power Strip Kit Illustrated Parts Breakdown  
EK-H7601-IP

IP-H7601-04

**Figure 1. H9A15 M-Series Cabinet Assembly (Sheet 6 of 9)**

PARTS LIST



**POWER STRIP ASSEMBLY  
3X-H7601-AA (120V)**

REAR

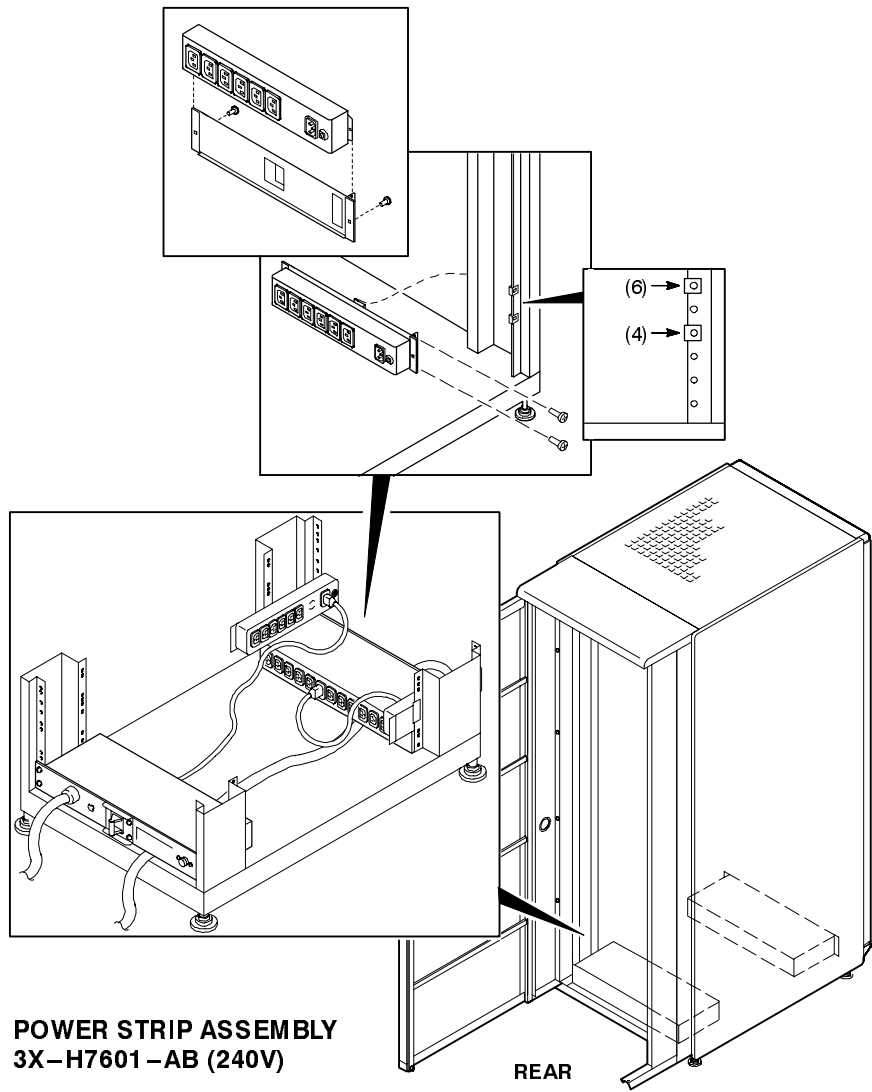
**SPLIT PDU DESIGN**

REF. M-Series Power Strip Kit Illustrated Parts Breakdown  
EK-H7601-IP

IP-H7601-04

**Figure 1. H9A15 M-Series Cabinet Assembly (Sheet 7 of 9)**

**PARTS LIST** 



**POWER STRIP ASSEMBLY  
3X-H7601-AB (240V)**

**REAR**

**SPLIT PDU DESIGN**

REF. M-Series Power Strip Kit Illustrated Parts Breakdown  
EK-H7601-IP

IP-H7601-04

*Figure 1. H9A15 M-Series Cabinet Assembly (Sheet 8 of 9)*

**PARTS LIST** 

<b>REAR FILLER PANELS - Mandatory On Cabs With Trim Kits</b>					
Order Number	Color	Height (U's)	Order Number	Color	Height (U's)
H3401-AB	Gray	1U	H3401-BB	Blue	1U
H3401-AC	Gray	2U	H3401-BC	Blue	2U
H3401-AD	Gray	3U	H3401-BD	Blue	3U
H3401-AE	Gray	4U	H3401-BE	Blue	4U
H3401-AF	Gray	5U	H3401-BF	Blue	5U
H3401-AG	Gray	6U	H3401-BG	Blue	6U

**NOTE: Rear Filler Panels Are Only Required With Configurations That Call For Rear Flushing Fan(s).  
The Rear Flushing Fans Are Used Only When More Than 6 Storage Boxes Are Installed.**

<b>H9A10/H9A15 M-SERIES CABINETS COMPONENT HEIGHTS (1U = 1.75 Inches)</b>	
Component	Height (U's)
AlphaServer 800 System Box	5+U
AlphaServer 1200 System Box	11U
AlphaServer DS10 System Box	3U
AlphaServer DS20 System Box	11U
AlphaServer 4X00 System Box	8U
AlphaServer ES40 System Box	8U
Flushing Fan	4U
Memory Channel	5U
Memory Channel 2	5U
Power Distribution Unit	1U
Power Strip	2U
RAID Array 3000 Controller	4U
RAID Array 7000 (BA370)	19U
Storage Shelf	4U
Tape Library	4U
Top Fan	1U
UPS	2U

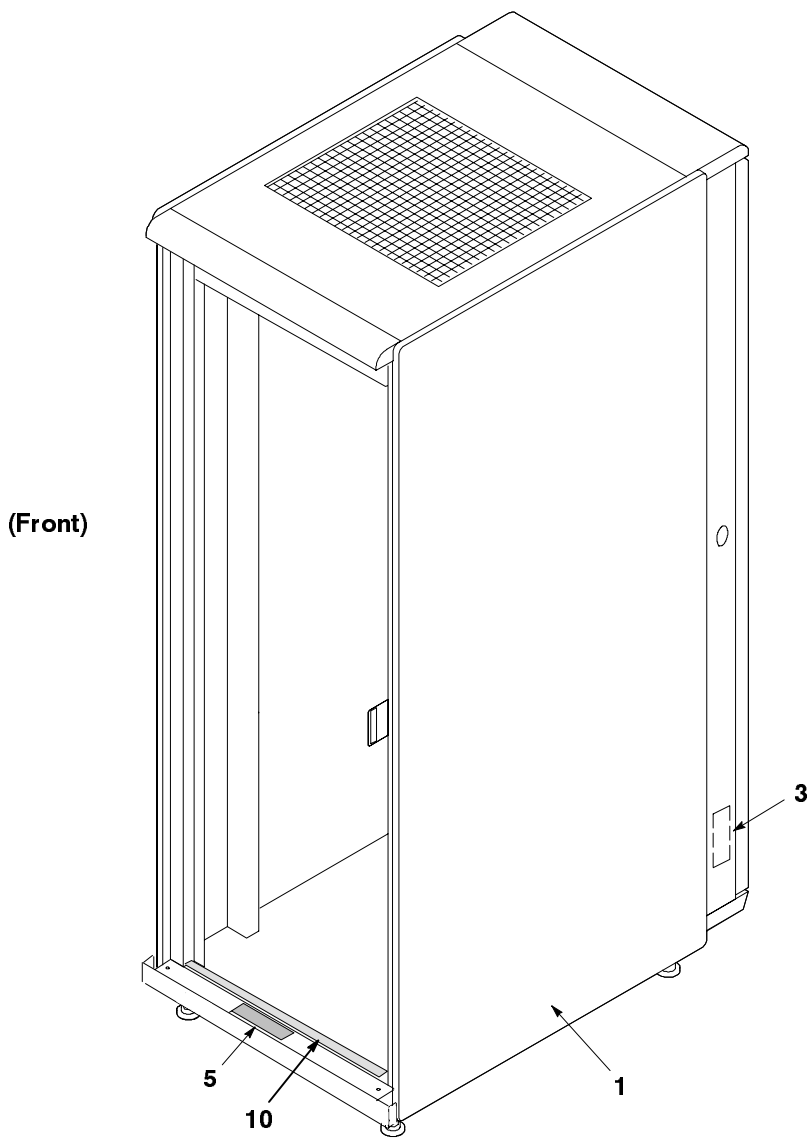
*Figure 1. H9A15 M-Series Cabinet Assembly (Sheet 9 of 9)*

FIG.& ITEM NO.	DESCRIPTION	DIGITAL PART NO.	ECO CUT-IN H9A15-3 ZK006	USED ON CODE	REF FIG NO.
1-	A CABINET ASSEMBLY, 2.0M, GRAY (120V)	H9A15-MA		A	
	B CABINET ASSEMBLY, 2.0M, GRAY (240V)	H9A15-MB		B	
	C CABINET ASSEMBLY, 2.0M, BLUE (120V)	H9A15-MC		C	
	D CABINET ASSEMBLY, 2.0M, BLUE (240V)	H9A15-MD		D	
	1 *CABINET, REAR DOOR, GRAY	H9A15-NA		AB	2
	*CABINET, REAR DOOR, BLUE	H9A15-TA		CD	2
	2 *Bezel Assembly, Front , Gray	70-33710-01		AB	
	*Bezel Assembly, Front, Blue	70-33710-02		CD	
	3 *Bracket, Front Bezel, Right Hand	74-53317-01			
	4 *Bracket, Front Bezel, Left Hand	74-53317-02			
	5 *Power Controller Strip (100-120V)	H7600-AA		AC	
	*Power Distribution Unit (200-240V)	H7600-DB		BD	
	6 *Documentation, H9A10/H9A15 Cabinet Service Access Advisory (Not Shown)	EK-MARQE-CN			
	7 *Power Cord 125V (Not Shown)	17-00606-04		AC	
	8 *Cable Assembly, Jumper, 10 Ft. (Not Shown)	17-00365-01		BD	
	9 *Label, "Regulatory" (U.S.)	36-41348-88			
	*Label, "Regulatory" (U.K.)	36-41348-91			
	*Label, "Regulatory" (Singapore)	36-41348-92			
	10 *Label, "Warning High Leakage Current"	36-22516-02			
	11 *Screw, Truss Hd 10-32 x 1/2	90-00063-39			
	12 *Nut, U-Nut 10-32	90-07786-01			
	13 *Nut, Kep M5	90-40148-02			
	14 *Fastener, Clip On	90-11195-01			
	15 *Fan Tray, Cabinet	70-32032-01			
	16 *Bracket, H7600	74-53301-01			
	<b>H9A15 M-SERIES KITS and MISC. PARTS</b>				
	AlphaServer 4000/4100 Rack Mount Kit (U.S. and Asia Pacific)	CK-BA30A-BA			
	Power Cord (4.5M)	2T-00083-51			
	AlphaServer 4000/4100 Rack Mount Kit (Europe)	CK-BA30A-BB			
	Power Cord (4.5M)	2T-04522-02			
	AlphaServer 1200 Rack Mount Kit (Gray)	2T-R1200-AA			
	AlphaServer 1200 Rack Mount Kit (Blue)	2T-R1200-AB			
	Power Cord (4.5M) (U.S.)	2T-00083-51			
	Power Cord (4.5M) (Non-U.S.)	2T-04522-02			
	AlphaServer 800 Rack Mount Kit	PB8HA-BA			
	Power Cord (4.5M) (U.S.)	BN20Z-4E			
	Power Cord (4.5M) (Non-U.S.)	2T-04522-03			
	AlphaServer DS10 Rack Mount Kit	3X-PBX01-AB			
	Power Cord, 178 Inch (North America)	17-00083-58			
	Power Cord, 178 Inch (Non-North America)	17-04522-03			
	Power Cord, 178 Inch (Japan/Dentori)	17-04937-04			
	Note: For H9A15 Marquee Cabinets AC Input Rules, See B-IC-H9A15-3 DBM Print Set.				

FIG.& ITEM NO.	DESCRIPTION	DIGITAL PART NO.	ECO CUT-IN H9A15-3 ZK006	USED ON CODE	REF FIG NO.
1-	<p><b>H9A15 M-SERIES KITS &amp; MISC. PARTS</b></p> <p>AlphaServer ES40 Rack Mount Kit  Power Cord, (4.5M) (120V)  Power Cord, (4.5M) (120V)</p> <p>DLT MiniLibrary Base Module (Blue)  DLT MiniLibrary Base Module (Gray)  RAID Array 3000 (120V)  RAID Array 3000 (230V)  RAID Array 7000 (Rear Mount)  RAID Array 7000 (w/Front Slide Kit)</p> <p>Ballast Kit  Blank Bezel Installation Kit (Gray)  Blank Bezel Installation Kit (Blue)  NOTE: Front Bezels are optional when a Front Door is used and are recommended with a trim kit.</p> <p>Extender Kit, Cabinet Rear (Gray)  Extender Kit, Cabinet Rear (Blue)  Flushing Fan Kits (Rear) (120V)  Flushing Fan Kits (Rear) (240V)  Front Door Kit (Gray)  Front Door Kit (Blue)  Front Trim Kit (Gray)  Front Trim Kit (Blue)  Joiner Kit  Memory Channel Rack Mount Kit  Memory Channel 2 Rack Mount Kit  Power Cord, Dentori 125V (4.5M)  Power Strip Assembly (120V)  Power Strip Assembly (240V)  <b>POWER CORD SUBSTITUTION</b>  For BA35R-MR Storme Box  Power Cord, 250V (108 Inch)  can be substituted for  Power Cord, 250V (75 Inch)</p> <p>Power Cord, 125V (108 Inch)  can be substituted for  Power Cord, 125V (75 Inch)</p> <p>For CK-BA35X-HH/HF Redundant Power Supplies or Memory Channel  Power Cord, 125V (120 Inch)  can be substituted for  Power Cord, 125V (75 Inch)</p>	<p>BA61R-RM  17-00083-51  17-04522-02</p> <p>DS-TL891-NE  DS-TL891-NG  DS-SWXRA-GH  DS-SWXRA-GK  2T-BA370-AR  2T-BA370-AS</p> <p>H9C10-MC  H3400-AA  H3400-AB</p> <p>H9C15-NE  H9C15-TE  2T-SW8XF-SR  2T-SW8XF-ER  H9C15-NF  H9C15-TF  H9C15-NT  H9C15-TT  H9C15-JD  CCMRA-AA  2T-MAVRK-AA  17-04937-02  3X-H7601-AA  3X-H7601-AB</p> <p>17-00083-04  17-00083-10</p> <p>17-00083-05  17-00083-09</p> <p>17-00606-04  17-00606-02</p>			

INDICATES FRU LEVEL PARTS.

PARTS LIST



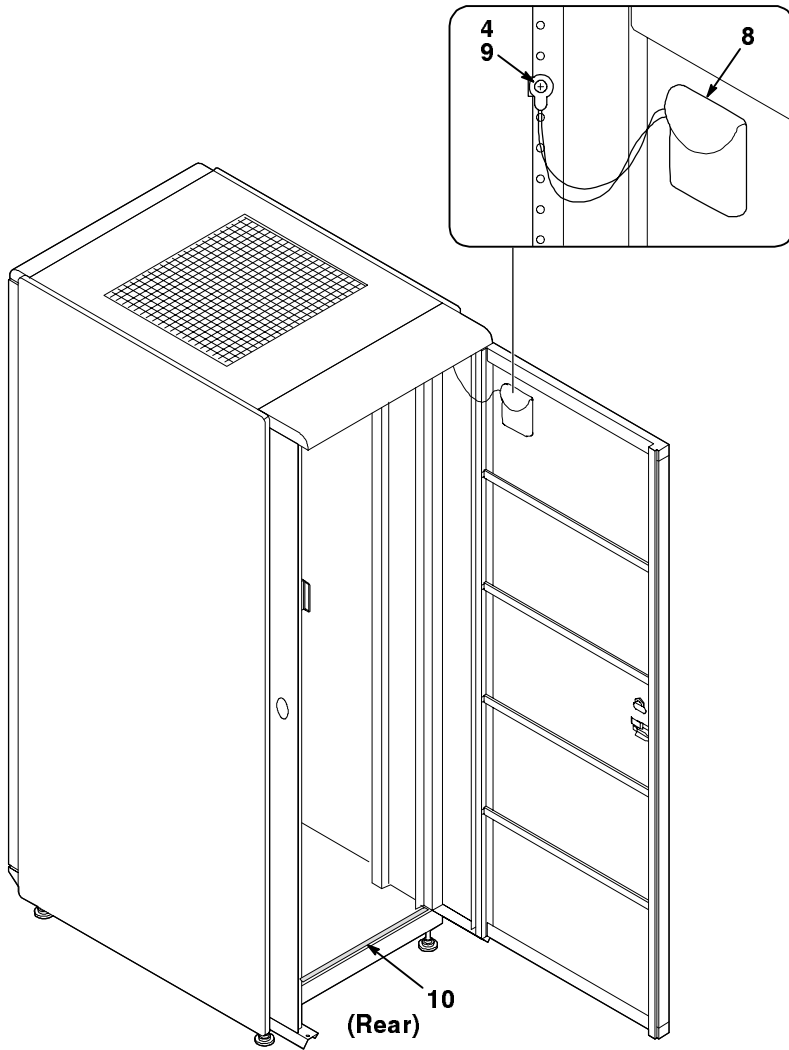
IP-00386-01

Figure 2. H9A15-NA/TA Cabinet (Sheet 1 of 2)



INDICATES FRU LEVEL PARTS.

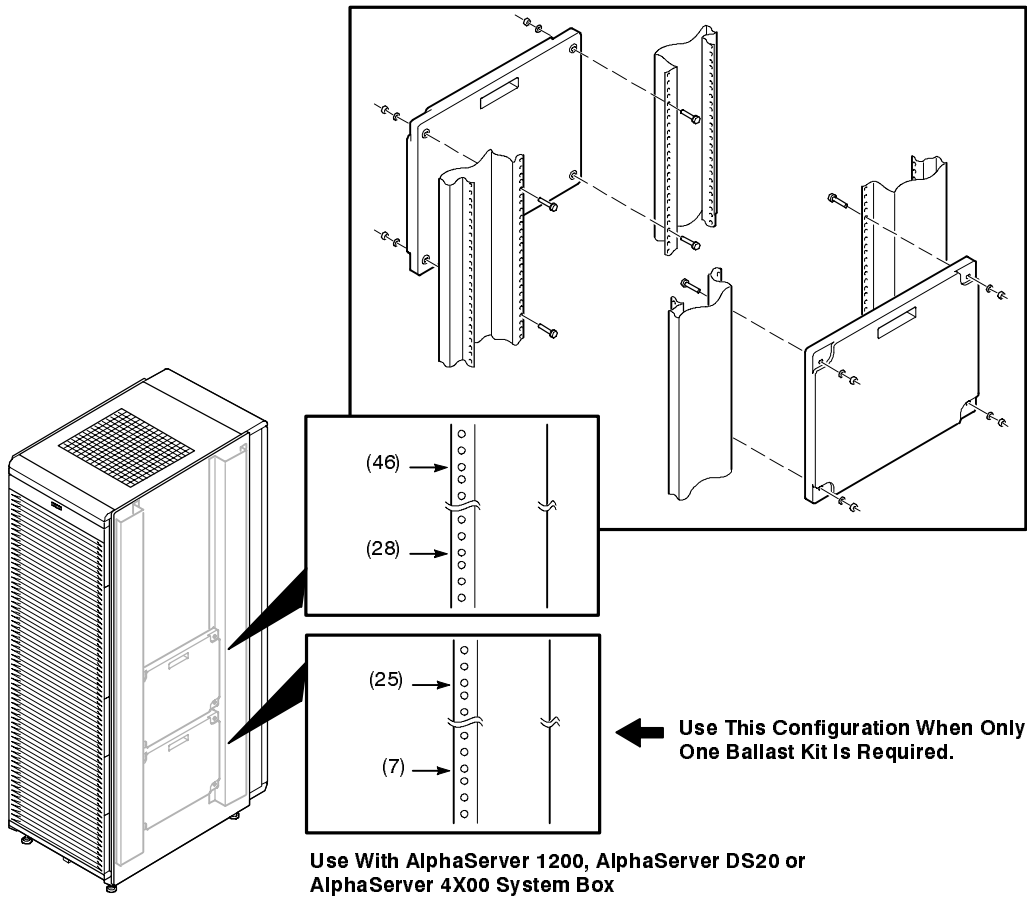
PARTS LIST



IP-00387A-01

Figure 2. H9A15-NA/TA Cabinet (Sheet 2 of 2)

FIG.& ITEM NO.	DESCRIPTION	D DIGITAL PART NO.	ECO CUT-IN H9A15-3 ZK004	USED ON CODE	REF FIG NO.
2-	A CABINET, REAR DOOR, GRAY	H9A15-NA		A	1
	B CABINET, REAR DOOR, BLUE	H9A15-TA		B	1
1	*Cabinet Assembly, H9A15, EIA, Gray	70-33671-01		A	
	*Cabinet Assembly, H9A15, EIA, Blue	70-33671-02		B	
2	*H7600 Interlock Kit (H9A15) (Not Shown)	2T-INTLK-27			
3	*Label, "Electrical Data", Adhesive Backed	36-13209-02			
4	*Nut, U-Nut 10-32	90-07786-01			
5	*Label, "Caution Stabilizer Foot"	36-18384-01			
6	*Package Assembly (Not Shown)	37-05062-01			
7	*Documentation, H9A15 Cabinet Installation (Not Shown)	EK-H9A15-IN			
8	*Cable Assembly w/Wrist Strap	12-24023-01			
9	*Screw, Sems Pan Hd 10-32 x 3/8	90-09228-10			
10	*Label, "Caution 2 Power Cord Multi-Language Service Information" (Qty. 2)	36-46657-01			

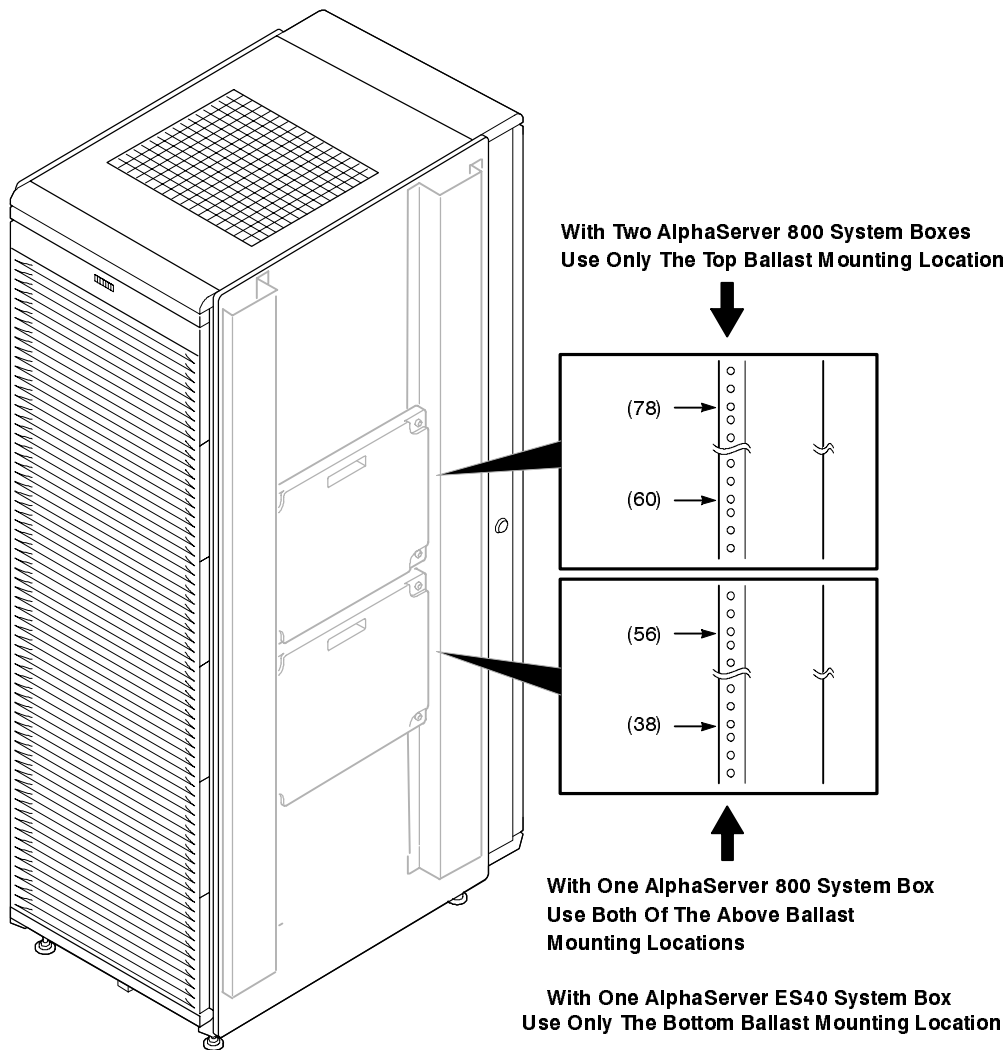


Ballast Kit Mounting Locations Using AlphaServer DS10		
System Box Qty.	Ballast Kit Required	Screw Hole Locations
2 or 3	2	Top - 58 & 76 Bottom - 36 & 54
4 or 5 or 6	1	63 & 81

**BALLAST MOUNTING**  
**REFER TO: BALLAST KIT**  
**H9C10-MC**

IP-H9A15-3-02

*Figure 3. H9A15 M-Series Mounting Kits (Sheet 1 of 11)*

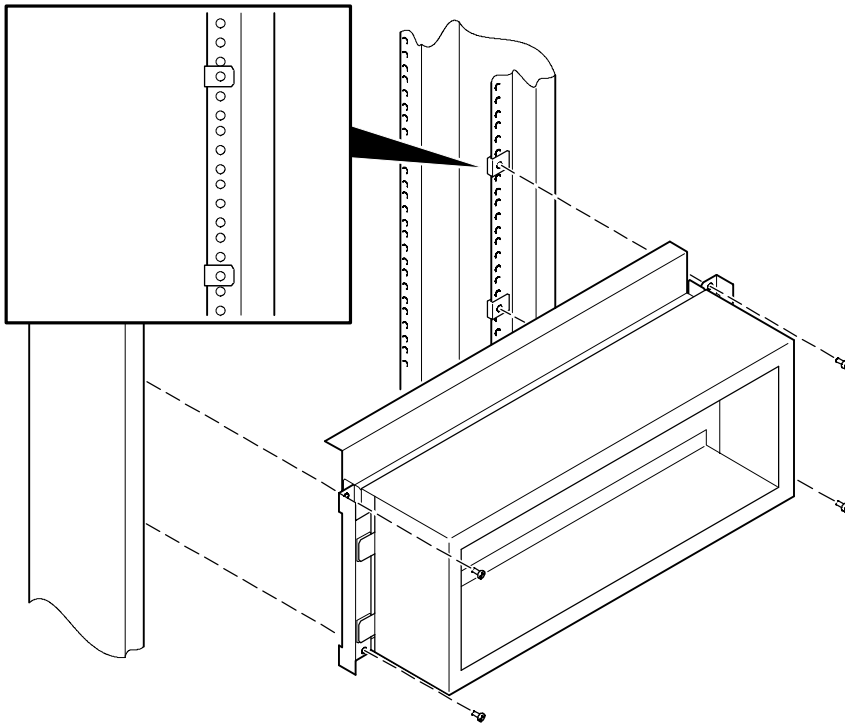


**BALLAST MOUNTING**  
REFER TO: BALLAST KIT  
H9C10 – MC

IP-H9A15-3-02A

*Figure 3. H9A15 M-Series Mounting Kits (Sheet 2 of 11)*

**Screw Hole Locations Are Determined By Rail Mounting Configuration.**



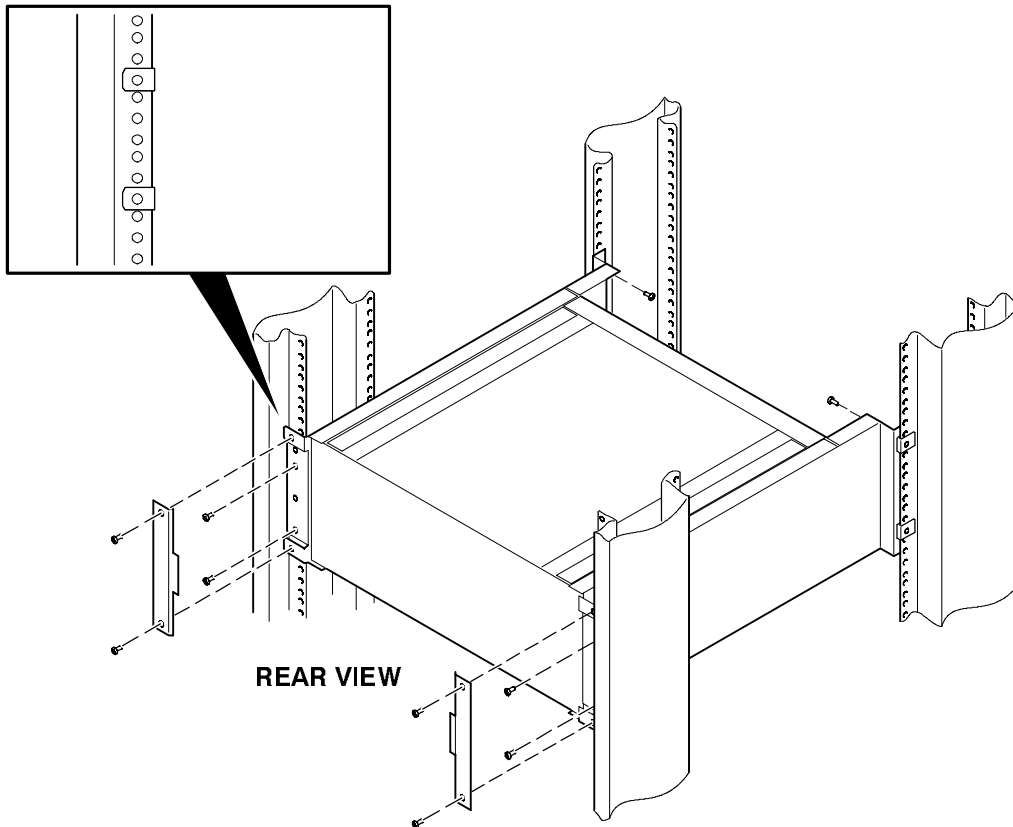
### **FLUSHING FAN MOUNTING**

**REFER TO: FLUSHING FAN KITS (REAR)  
2T-SW8XF-ER (240V)  
2T-SW8XF-SR (120V)**

IP-H9A15-3-03

*Figure 3. H9A15 M-Series Mounting Kits (Sheet 3 of 11)*

**Screw Hole Locations Are Determined By Rail Mounting Configuration.**



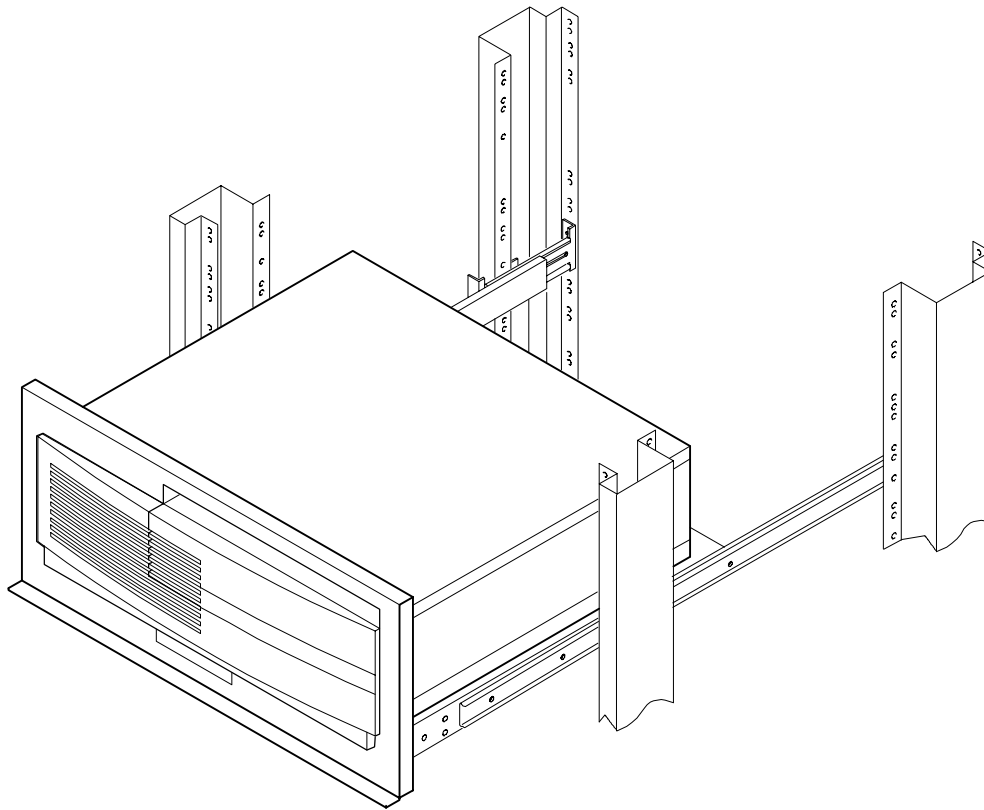
**MEMORY CHANNEL MOUNTING**

**REFER TO: MEMORY CHANNEL RACKMOUNT KIT  
CCMRA-AA**

IP-H9A15-3-04

*Figure 3. H9A15 M-Series Mounting Kits (Sheet 4 of 11)*

**Screw Hole Locations Are Determined By Rail Mounting Configuration.**



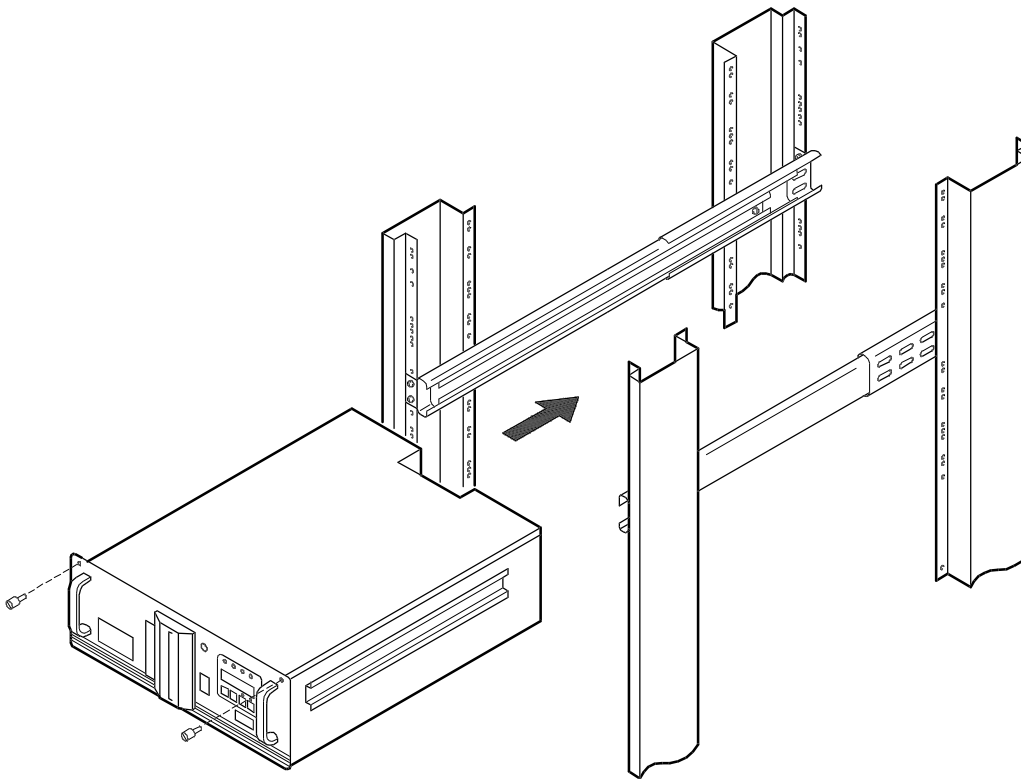
**MEMORY CHANNEL 2 MOUNTING**

**REFER TO: MEMORY CHANNEL 2 RACKMOUNT KIT  
2T-MAVRK-AA**

IP-H9A10-5-04

*Figure 3. H9A15 M-Series Mounting Kits (Sheet 5 of 11)*

**Screw Hole Locations Are Determined By Rail Mounting Configuration.**

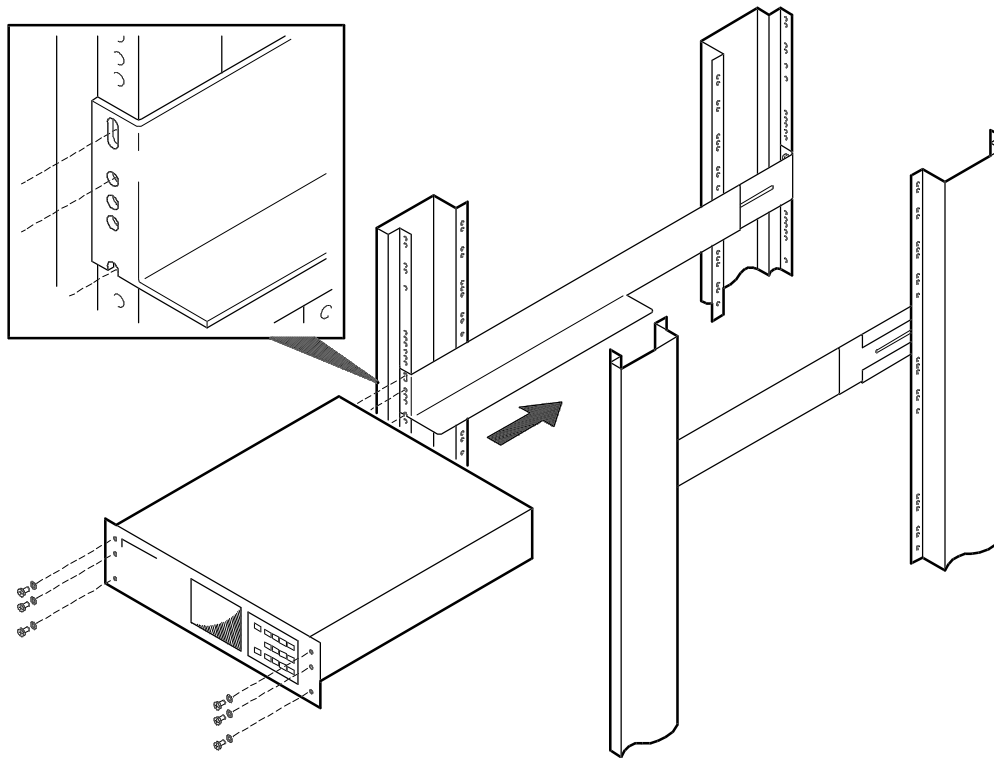


**TAPE LIBRARY MOUNTING**  
**REFER TO: DLT MiniLibrary (DS-TL891-NE/NG)**

IP-H9A15-3-04A

**Figure 3. H9A15 M-Series Mounting Kits (Sheet 6 of 11)**





**UPS MOUNTING**

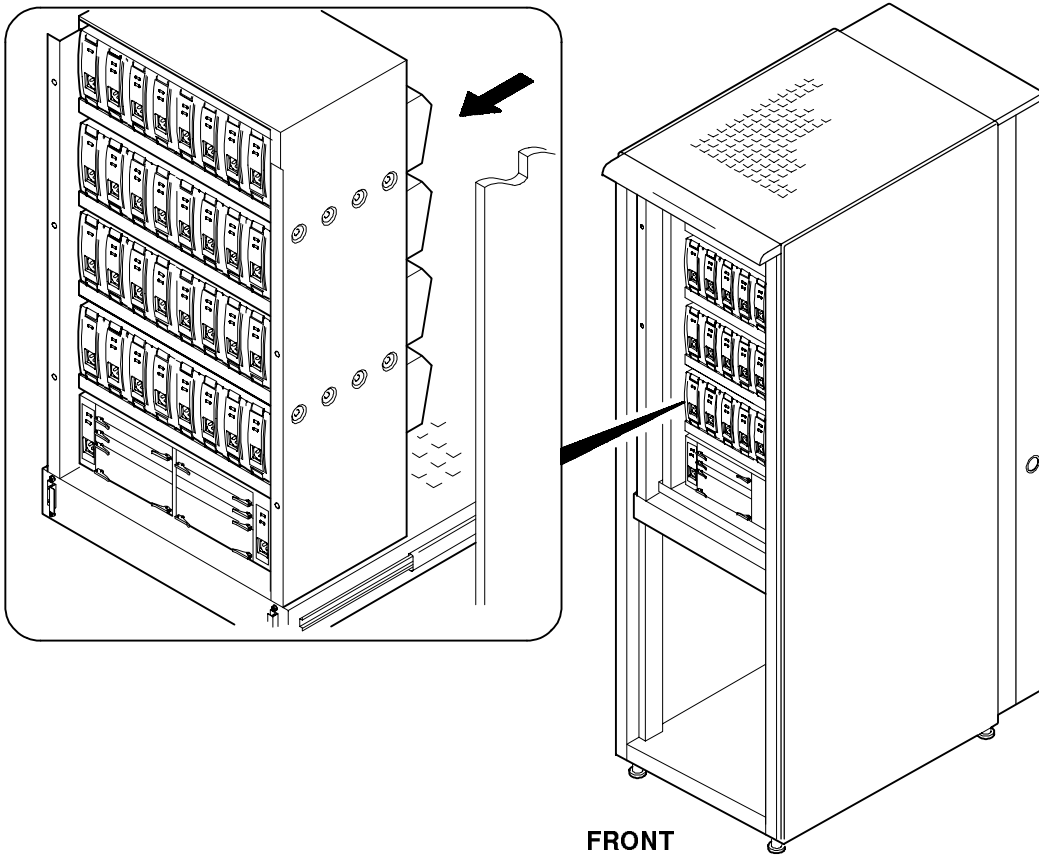
REFER TO: RAID Array 3000 (DS-SWXRA-GH) (120V)  
 (DS-SWXRA-GK) (230V)

IP-H9A15-3-04B

*Figure 3. H9A15 M-Series Mounting Kits (Sheet 7 of 11)*

<b>H9A15 M-Series Cab - BA370 Mounting Locations</b>	
<b>BA370 (Qty. 1)</b>	<b>Requires A Single Ballast Kit</b>
<b>Top Front Mount - Screw Hole Locations (64, 65, 66, 67)</b>	
<b>BA370 (Qty. 2)</b>	
<b>Top Front Mount - Screw Hole Locations (64, 65, 66, 67)</b>	
<b>Top Rear Mount - Screw Hole Locations (82, 91, 100, 109, 118)</b>	

**REMOVE TOP FAN FROM CAB  
PRIOR TO INSTALLATION**



**BA370 MOUNTING**  
**REFER TO: 2T-BA370-AS**

IP-H9A15-3-04C

**Figure 3. H9A15 M-Series Mounting Kits (Sheet 8 of 11)**

REMOVE TOP FAN FROM CAB  
PRIOR TO INSTALLATION

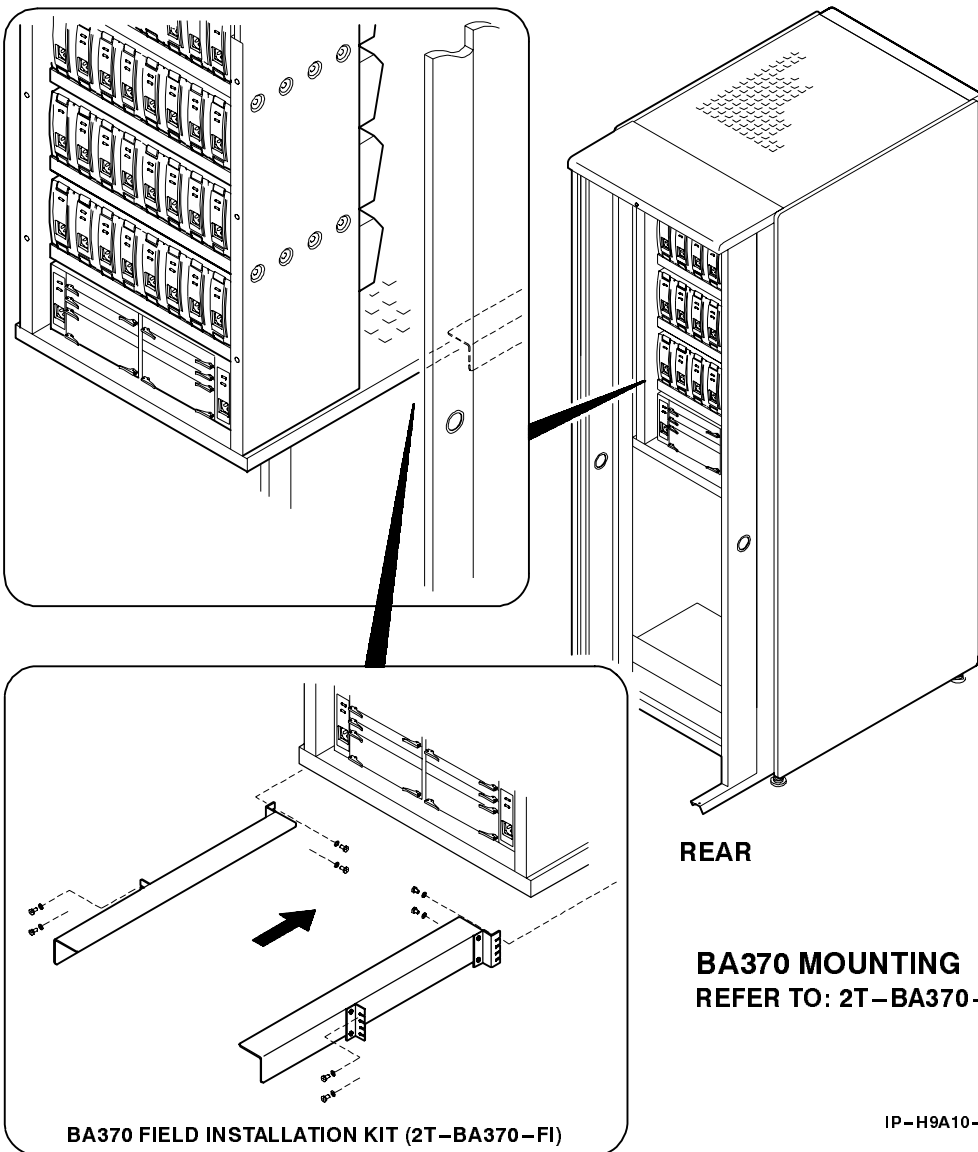
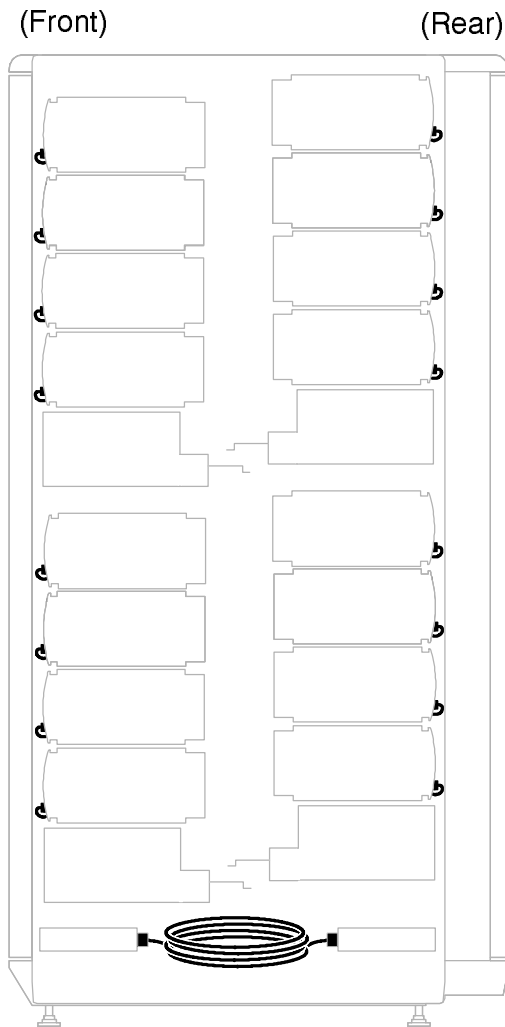


Figure 3. H9A15 M-Series Mounting Kits (Sheet 9 of 11)

REMOVE TOP FAN FROM CAB PRIOR TO INSTALLATION



**BA370 MOUNTING KITS**

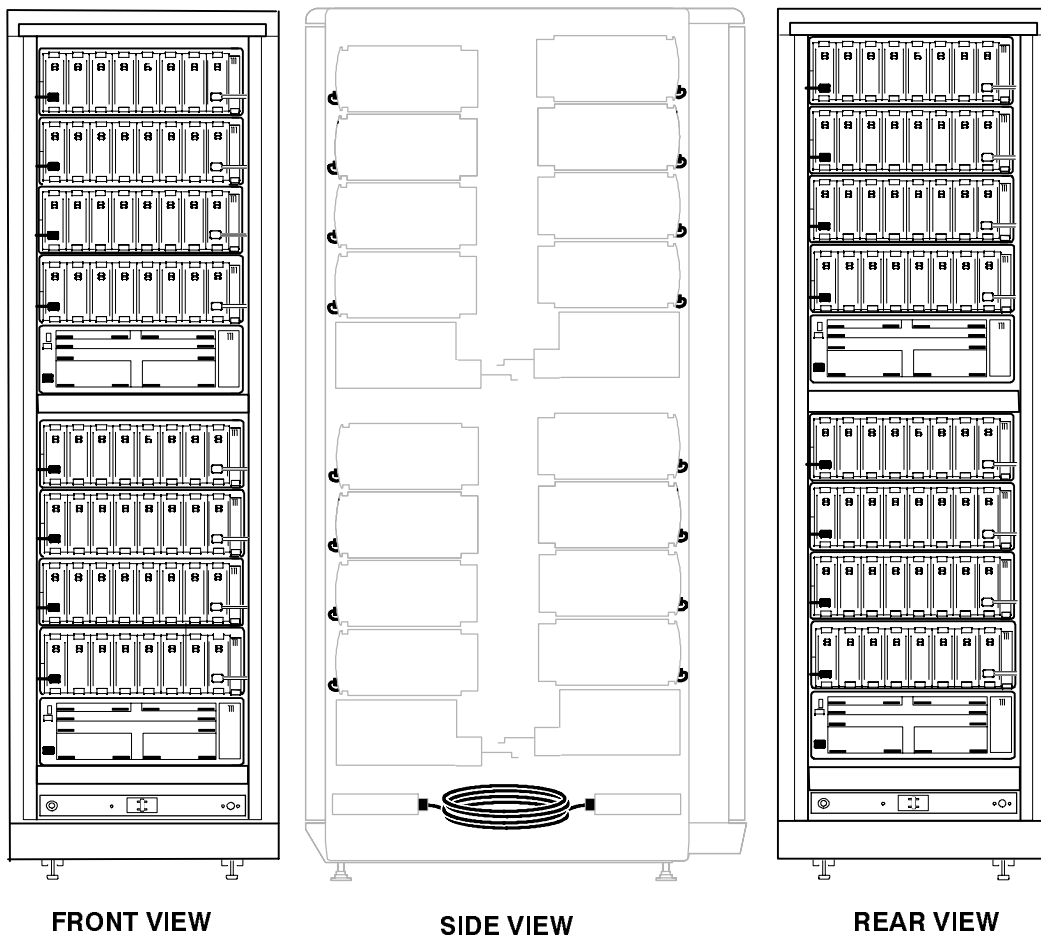
2T-BA370-AR (Rear Mount)

2T-BA370-AS (w/Front Slide Kit)

IP-H9A15-3-04E

*Figure 3. H9A15 M-Series Mounting Kits (Sheet 10 of 11)*

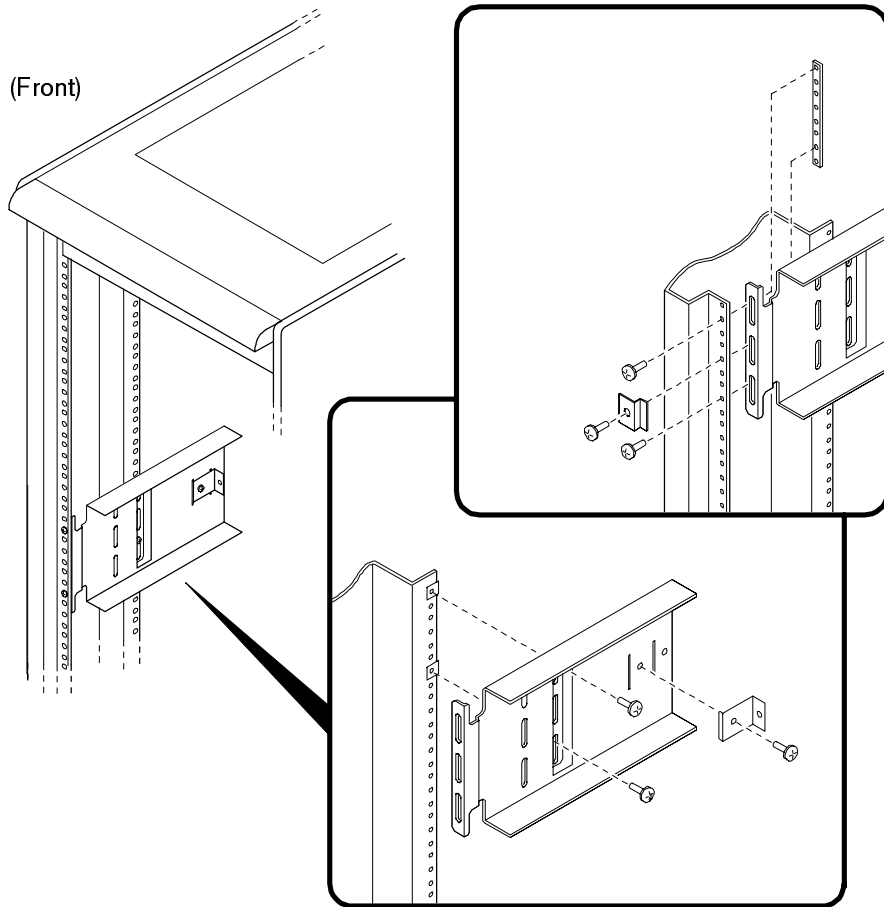
REMOVE TOP FAN FROM CAB PRIOR TO INSTALLATION



**4 BA370s MOUNTING CONFIGURATION**

IP-H9A15-3-04F

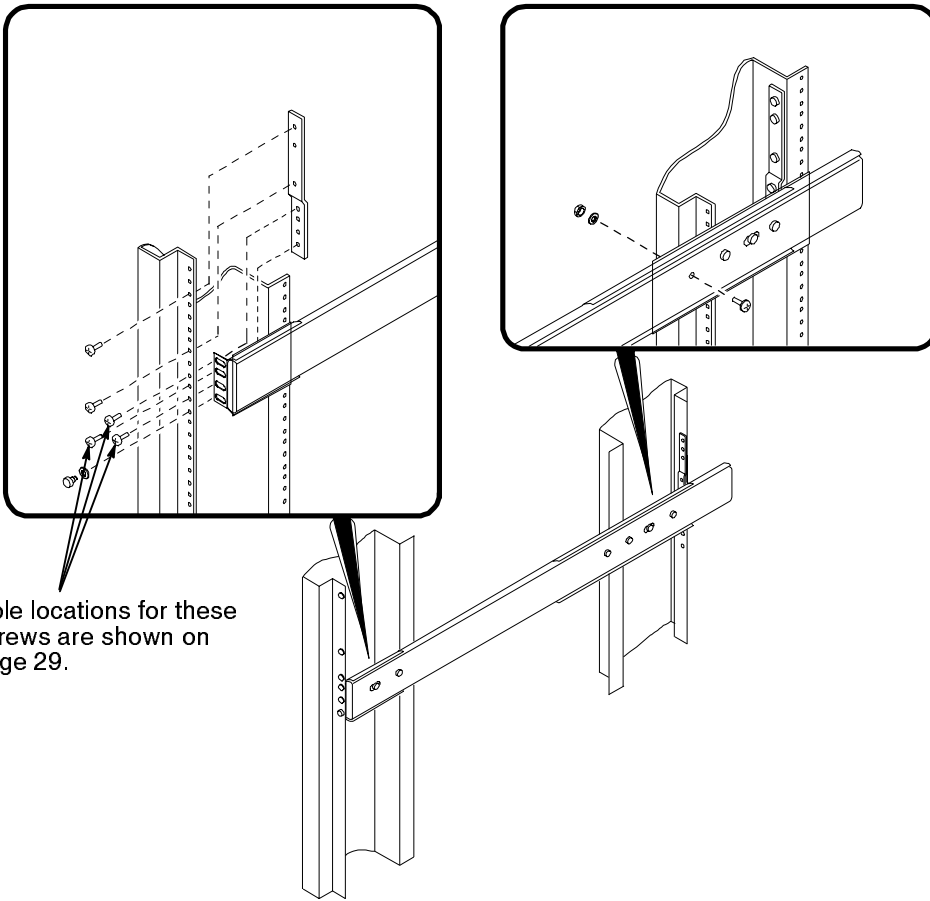
*Figure 3. H9A15 M-Series Mounting Kits (Sheet 11 of 11)*



**STORAGE SHELF MOUNTING KIT  
BA35X-RB**

IP-H9A15-3-05

*Figure 4. AS4000/4100 Configurations (Sheet 1 of 23)*



Hole locations for these screws are shown on page 29.

**SYSTEM BOX MOUNTING**

**REFER TO:  
AlphaServer 4000/4100 RACK MOUNT KIT  
CK-BA30A**

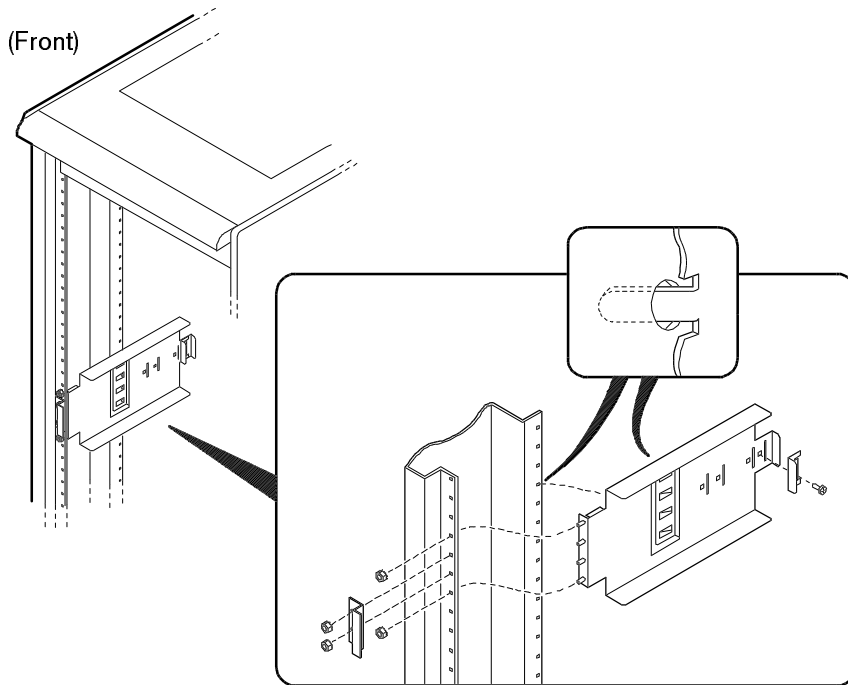
IP-H9A15-3-06

*Figure 4. AS4000/4100 Configurations (Sheet 2 of 23)*

To Mount More Than 2 Storage Shelves, Use The Following Table To Locate Where The Studs Mount To The Rails.

STORAGE SHELF		
FRONT	REAR	HOLE LOCATIONS
1	3	112, 113, 116, 117
2	4	100, 101, 104, 105
5	6	88, 89, 92, 93
7	-	76, 77, 80, 81
8	9	64, 65, 68, 69
10	11	52, 53, 56, 57
12	-	40, 41, 44, 45

When Mounting 2 Storage Shelves Use Holes 112, 113, 116, 117 To Mount Storage Shelves 1 and 2.

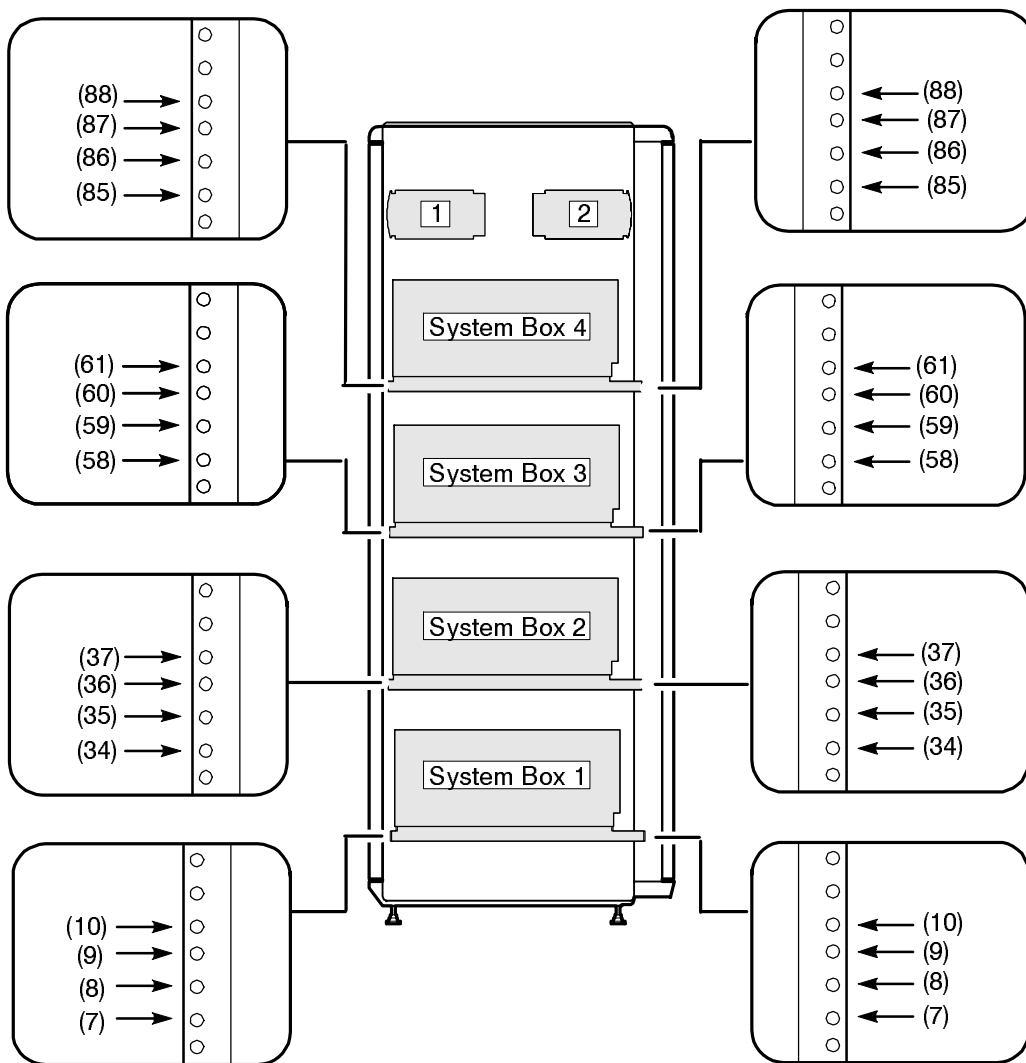


**STORAGE SHELF MOUNTING BRACKET  
USING BA35X-RK STORAGE SHELF MOUNTING KIT**

IP-H9A15-3-04E

*Figure 4. AS4000/4100 Configurations (Sheet 3 of 23)*



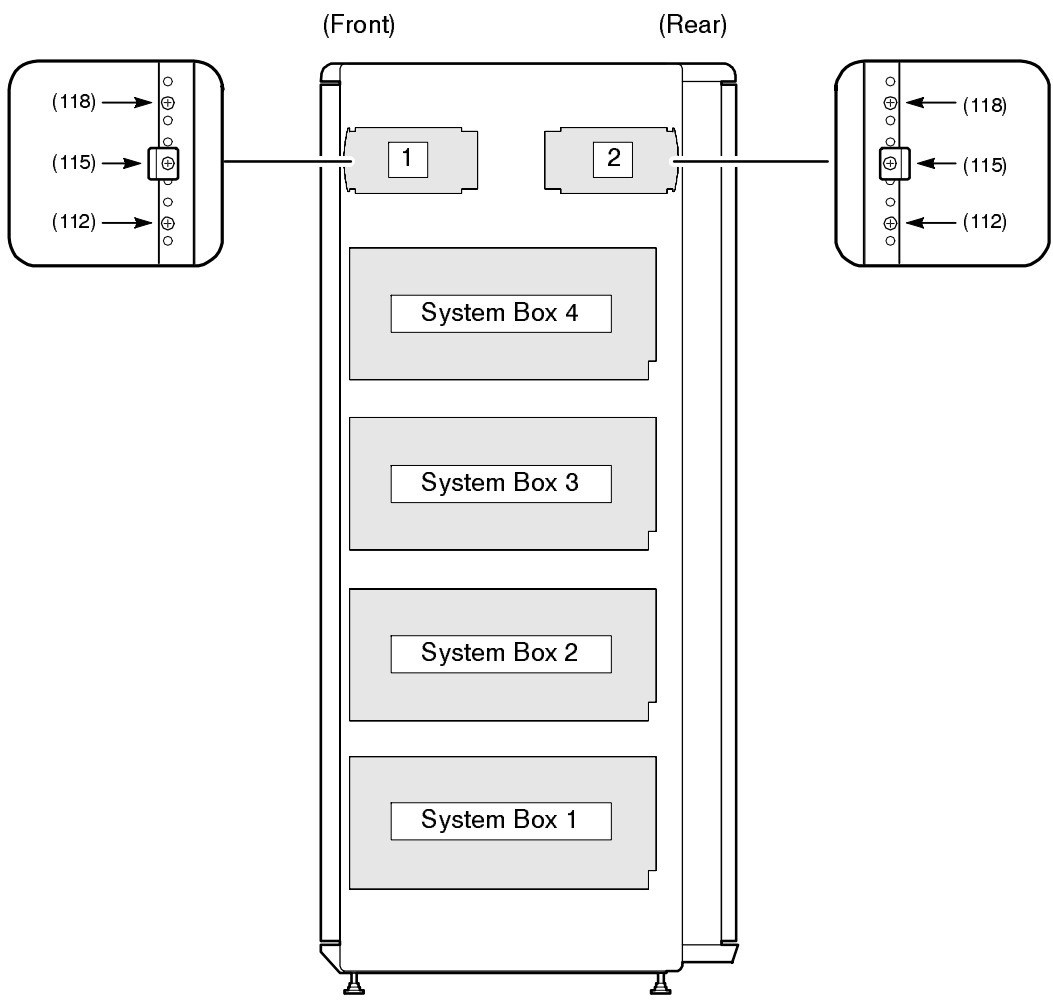


**AlphaServer 4000/4100 SYSTEM BOX MOUNTING LOCATIONS**

IP-H9A15-3-07

*Figure 4. AS4000/4100 Configurations (Sheet 4 of 23)*

**NOTE: RECOMMEND THAT STORAGE SHELVES WITH TAPE OPTIONS BE MOUNTED IN FRONT OF THE CAB, IF SPACE IS AVAILABLE.**

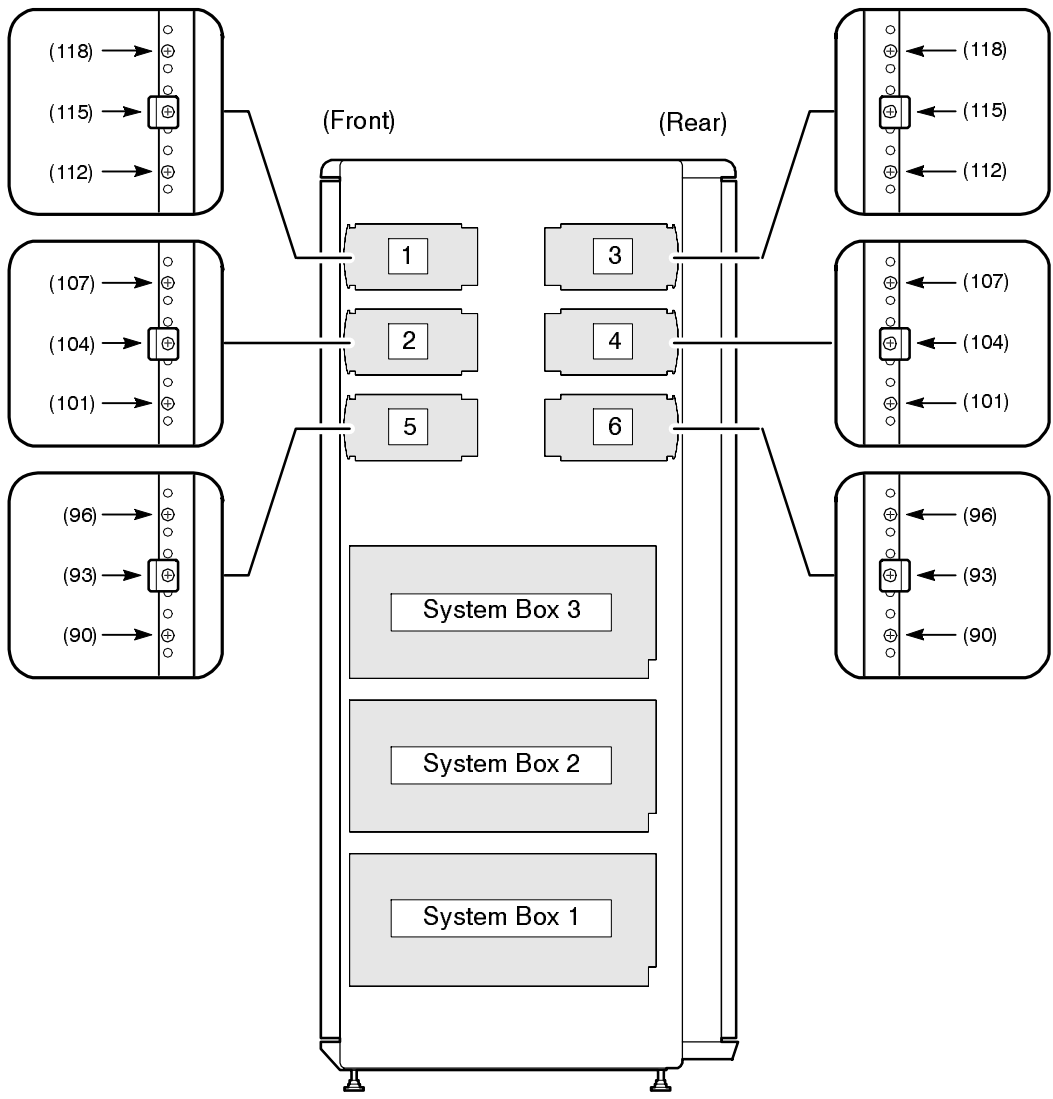


**AlphaServer 4000/4100 STORAGE SHELF MOUNTING LOCATIONS  
USING BA35X-RB MOUNTING KIT  
FOR BA35X-RK MOUNTING KIT, SEE PAGE 28**

IP-H9A15-3-08

*Figure 4. AS4000/4100 Configurations (Sheet 5 of 23)*

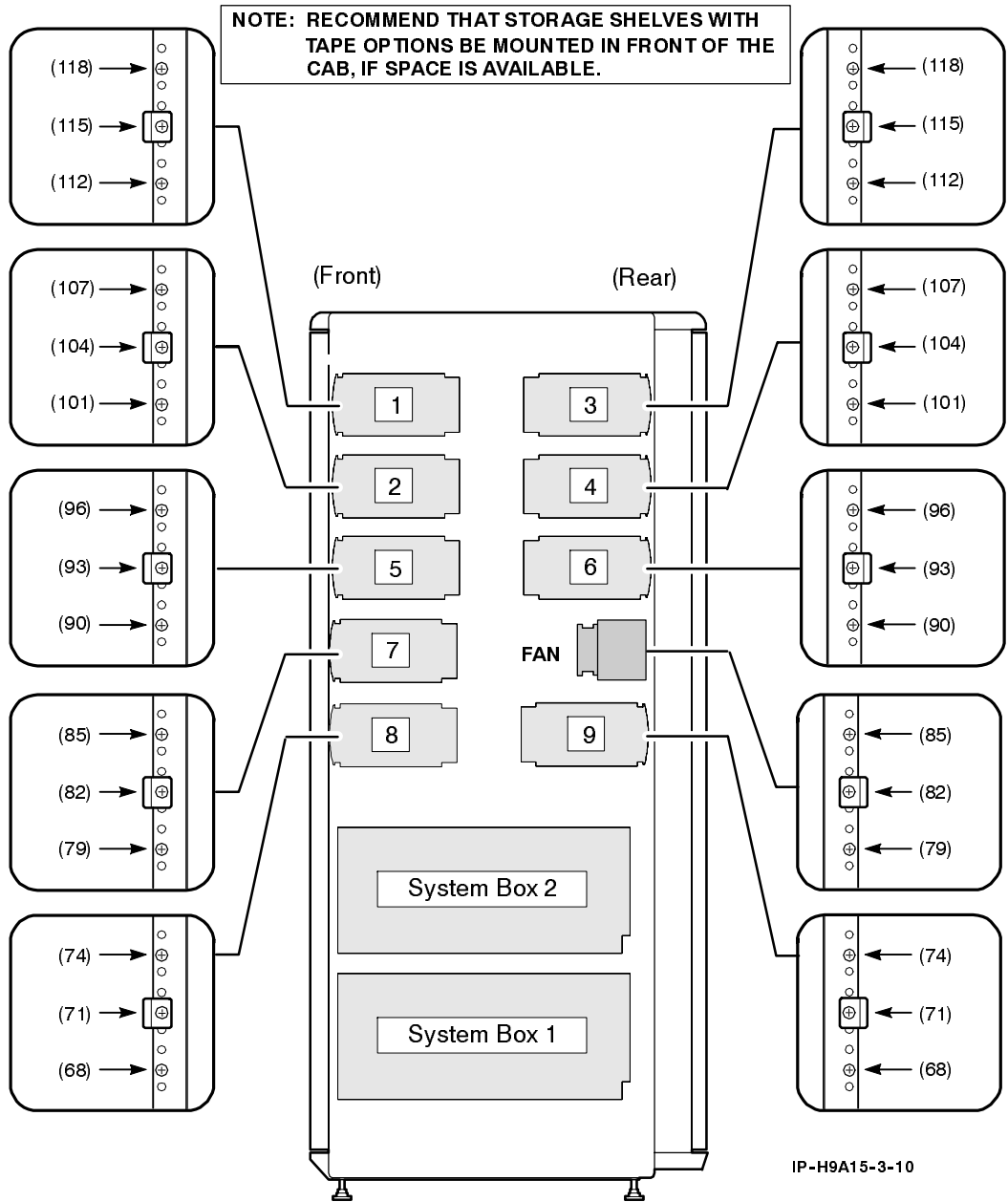
**NOTE: RECOMMEND THAT STORAGE SHELVES WITH TAPE OPTIONS BE MOUNTED IN FRONT OF THE CAB, IF SPACE IS AVAILABLE.**



**AlphaServer 4000/4100 STORAGE SHELF MOUNTING LOCATIONS  
 USING BA35X-RB MOUNTING KIT  
 FOR BA35X-RK MOUNTING KIT, SEE PAGE 28**

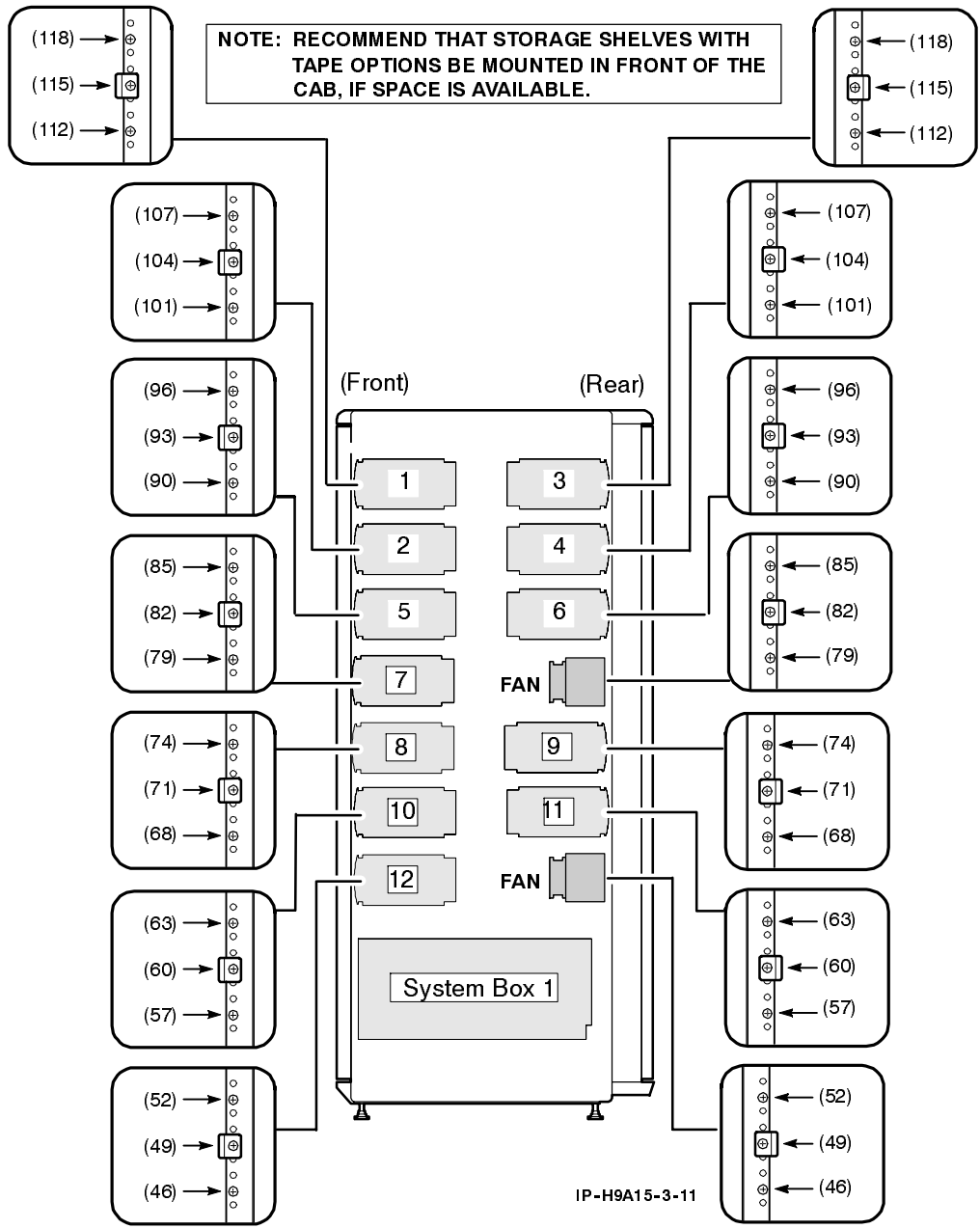
IP-H9A15-3-09

*Figure 4. AS4000/4100 Configurations (Sheet 6 of 23)*



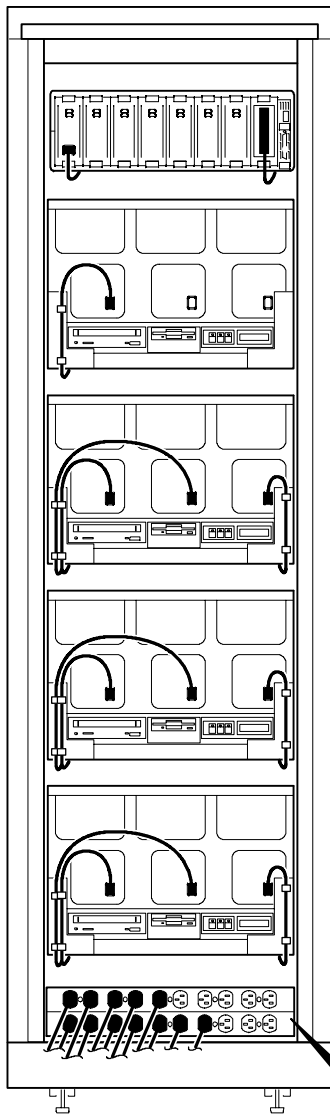
**AlphaServer 4000/4100 STORAGE SHELF MOUNTING LOCATIONS  
USING BA35X-RB MOUNTING KIT  
FOR BA35X-RK MOUNTING KIT, SEE PAGE 28**

*Figure 4. AS4000/4100 Configurations (Sheet 7 of 23)*



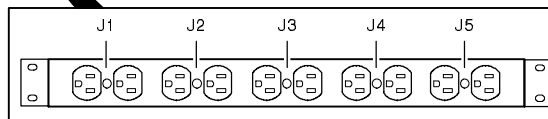
**AlphaServer 4000/4100 STORAGE SHELF MOUNTING LOCATIONS USING BA35X-RB MOUNTING KIT, FOR BA35X-RK MOUNTING KIT, SEE PAGE 28**

*Figure 4. AS4000/4100 Configurations (Sheet 8 of 23)*



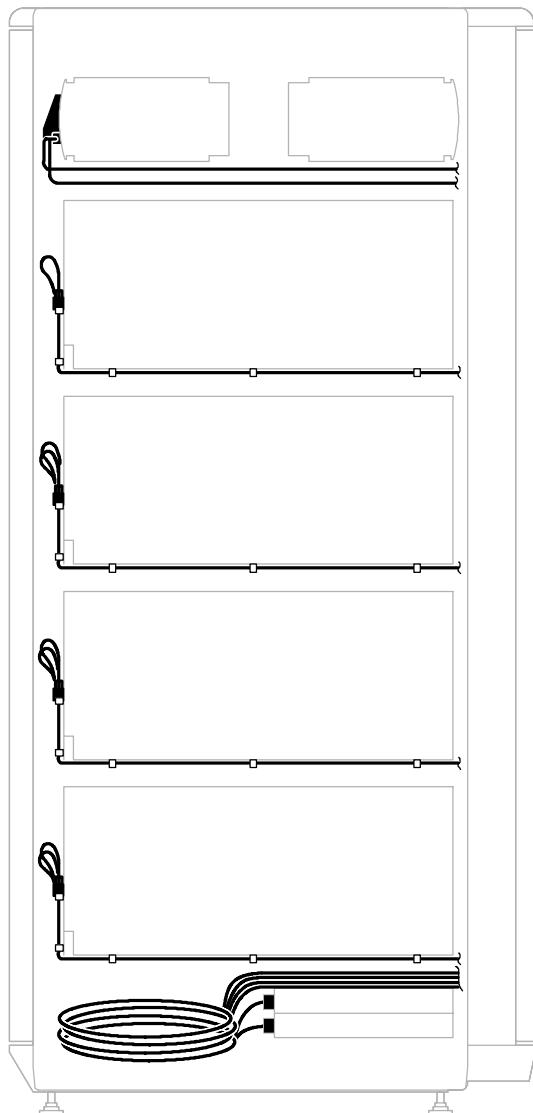
IP-H9A15-3-12

**FRONT VIEW**



**AlphaServer 4000/4100 CABLING CONFIGURATION**

*Figure 4. AS4000/4100 Configurations (Sheet 9 of 23)*

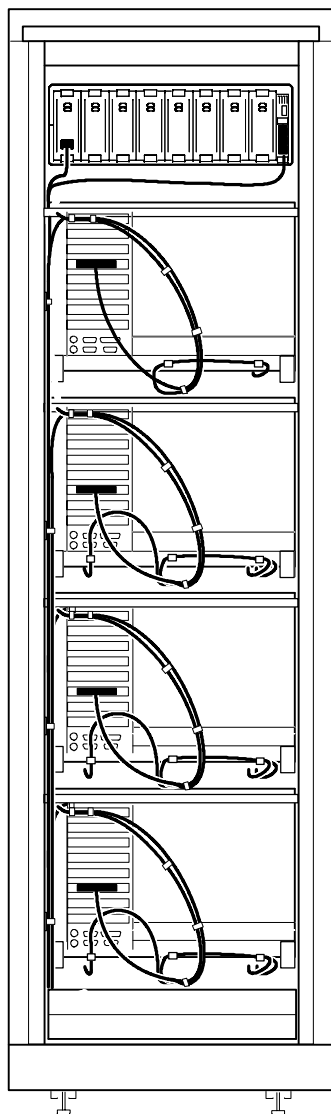


**SIDE VIEW**

**AlphaServer 4000/4100 CABLING CONFIGURATION**

IP-H9A15-3-12A

**Figure 4. AS4000/4100 Configurations (Sheet 10 of 23)**



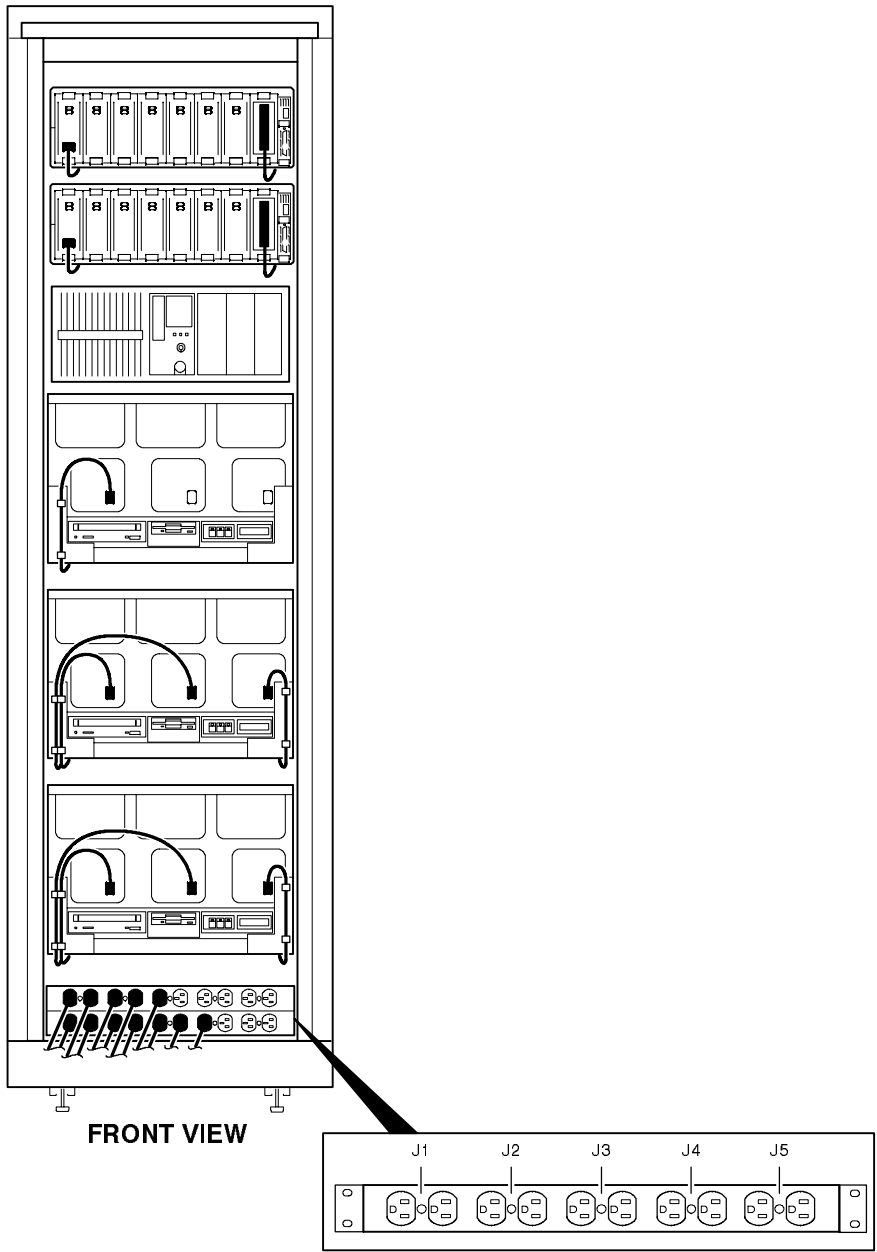
**REAR VIEW**

**AlphaServer 4000/4100 CABLING CONFIGURATION**

IP-H9A15-3-12B

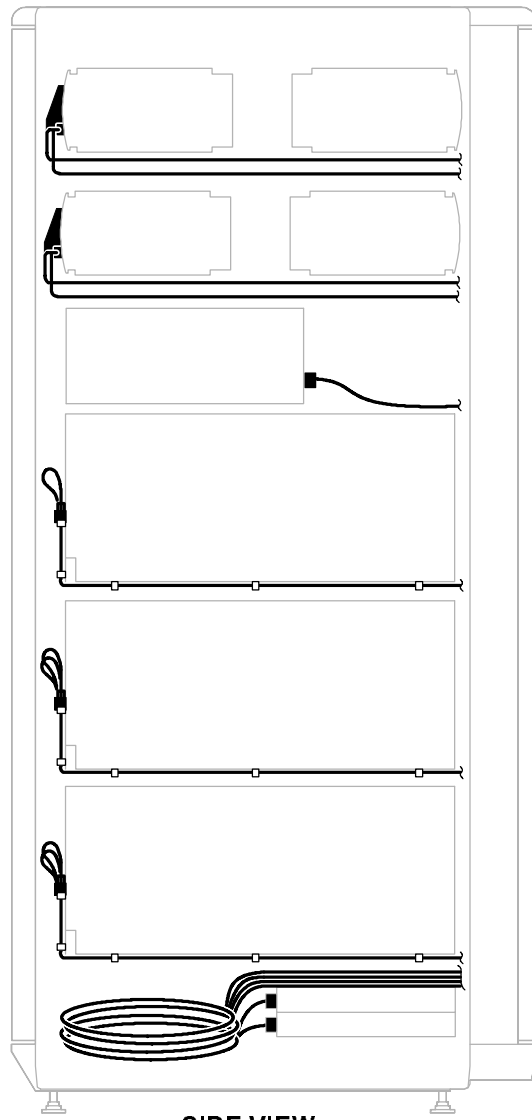
*Figure 4. AS4000/4100 Configurations (Sheet 11 of 23)*





AlphaServer 4000/4100 w/MEMORY CHANNEL and  
 MEMORY CHANNEL 2 CABLING CONFIGURATION IP-H9A15-3-13

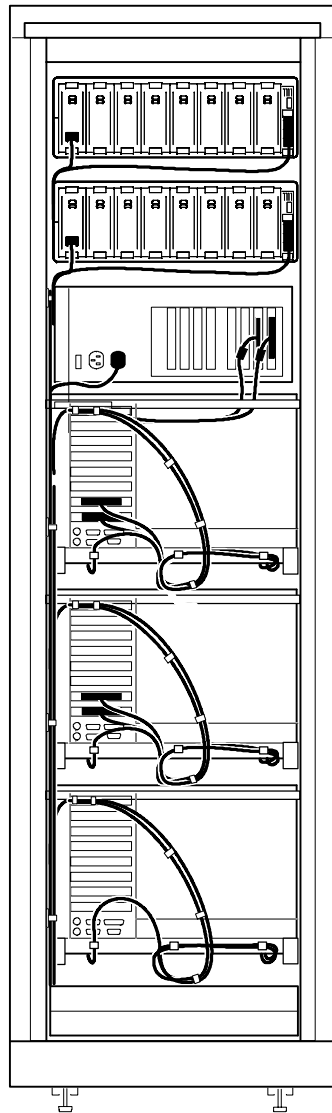
Figure 4. AS4000/4100 Configurations (Sheet 12 of 23)



**AlphaServer 4000/4100 w/MEMORY CHANNEL and  
MEMORY CHANNEL 2 CABLING CONFIGURATION**

IP-H9A15-3-13A

**Figure 4. AS4000/4100 Configurations (Sheet 13 of 23)**

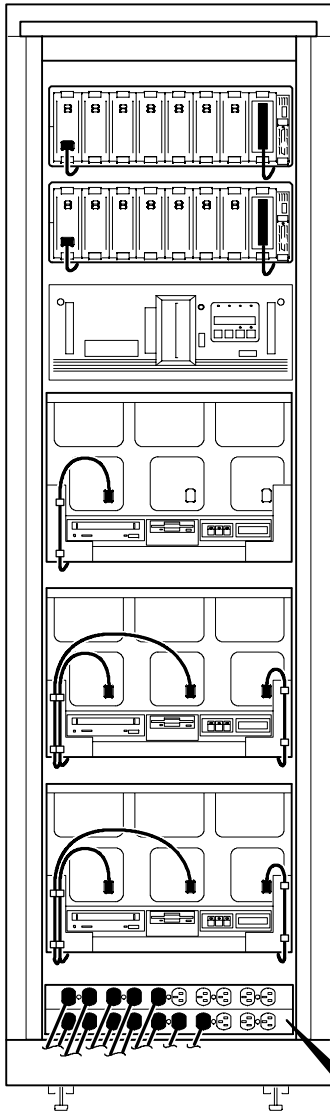


**REAR VIEW**

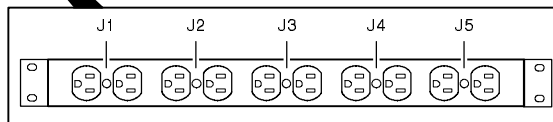
**AlphaServer 4000/4100 w/MEMORY CHANNEL and  
MEMORY CHANNEL 2 CABLING CONFIGURATION**

IP-H9A15-3-13B

*Figure 4. AS4000/4100 Configurations (Sheet 14 of 23)*



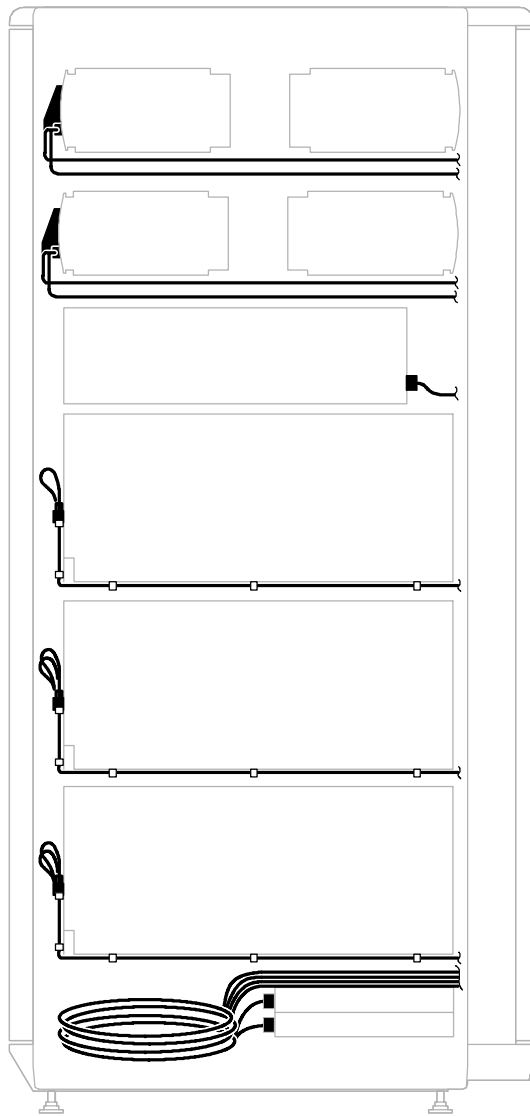
**FRONT VIEW**



**AlphaServer 4000/4100 w/ DLT MiniLibrary  
BASE MODULE CABLING CONFIGURATION**

IP-H9A15-3-14

**Figure 4. AS4000/4100 Configurations (Sheet 15 of 23)**

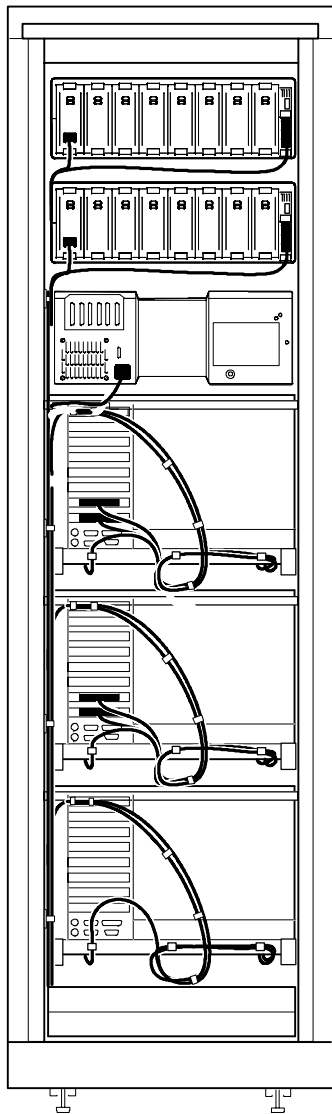


**SIDE VIEW**

**AlphaServer 4000/4100 w/DLT MiniLibrary  
BASE MODULE CABLING CONFIGURATION**

IP-H9A15-3-14A

*Figure 4. AS4000/4100 Configurations (Sheet 16 of 23)*

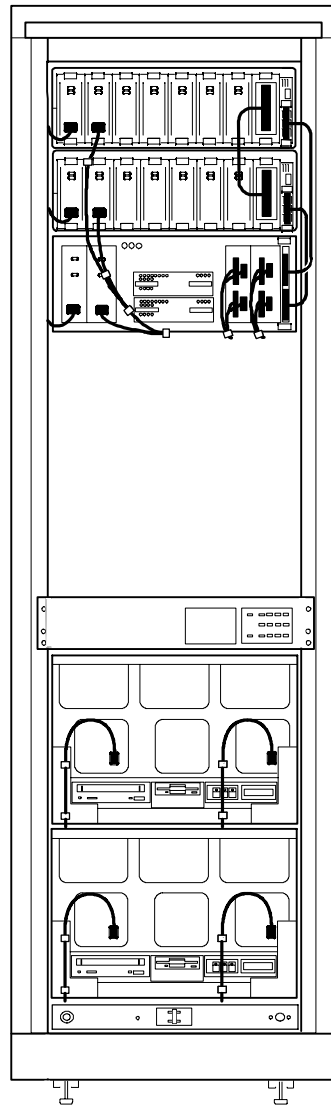


**REAR VIEW**

**AlphaServer 4000/4100 w/DLT MiniLibrary  
BASE MODULE CABLING CONFIGURATION**

IP-H9A15-3-14B

*Figure 4. AS4000/4100 Configurations (Sheet 17 of 23)*

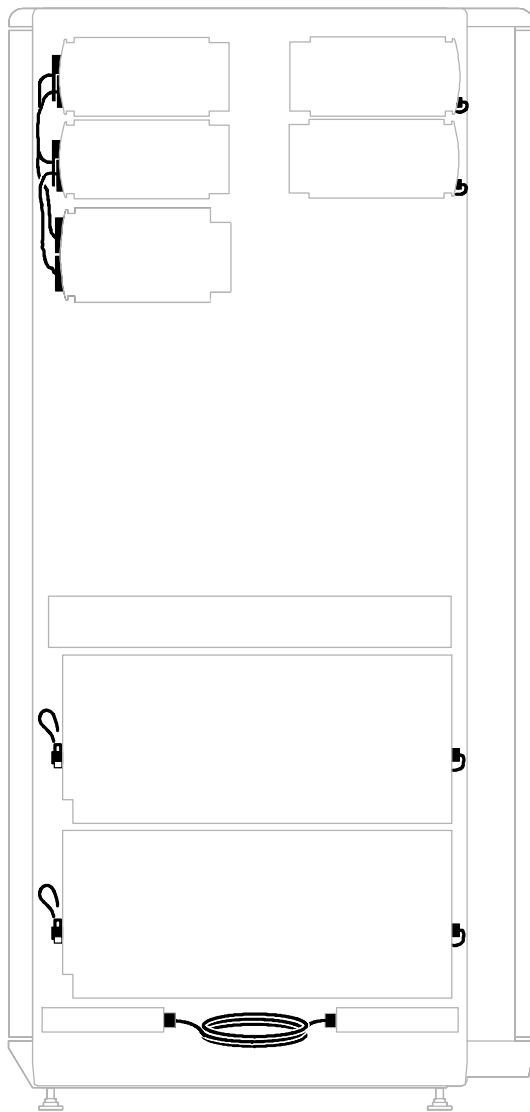


**FRONT VIEW**

**AlphaServer 4000/4100 w/RAID Array 3000  
CABLING CONFIGURATION**

IP-H9A15-3-15

*Figure 4. AS4000/4100 Configurations (Sheet 18 of 23)*



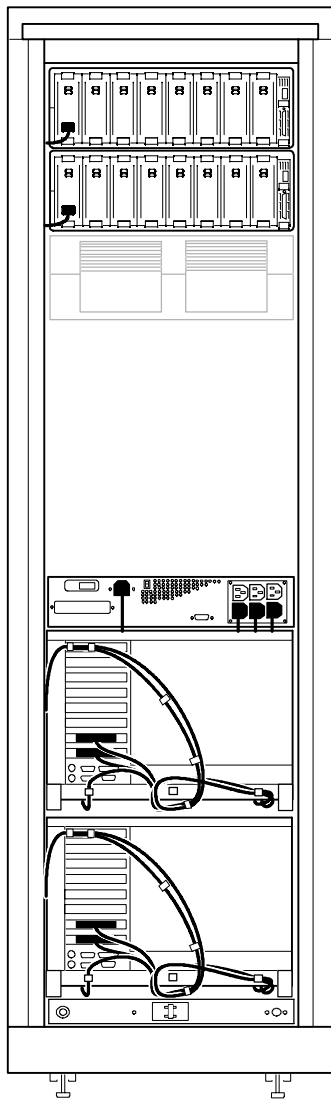
**SIDE VIEW**

**AlphaServer 4000/4100 w/RAID Array 3000  
CABLING CONFIGURATION**

IP-H9A15-3-15A

*Figure 4. AS4000/4100 Configurations (Sheet 19 of 23)*



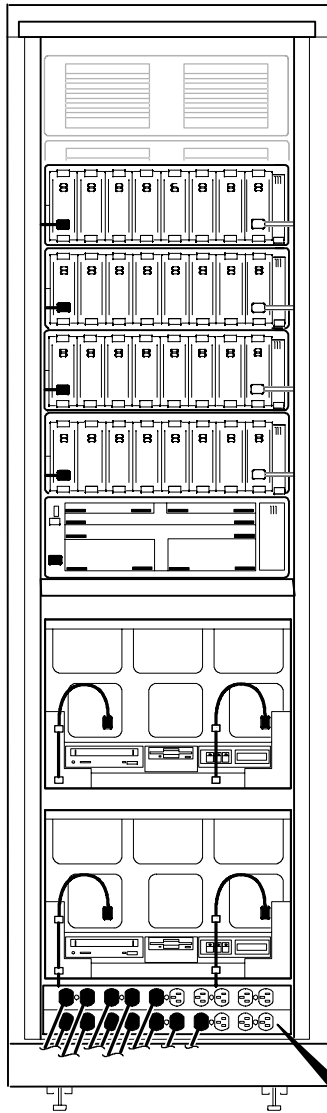


REAR VIEW

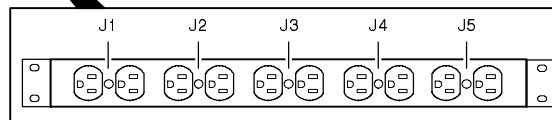
**AlphaServer 4000/4100 w/RAID Array 3000  
CABLING CONFIGURATION**

IP-H9A15-3-15B

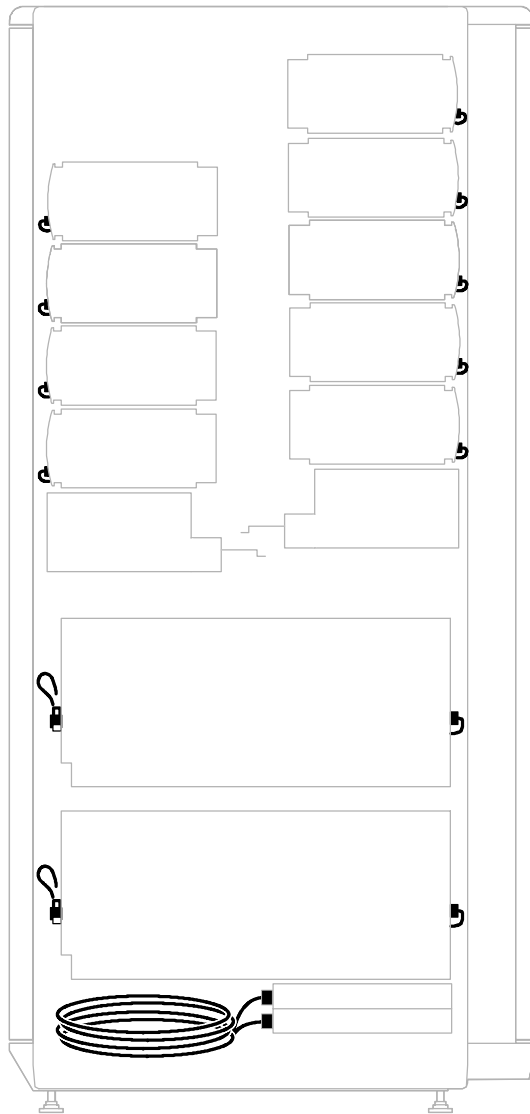
*Figure 4. AS4000/4100 Configurations (Sheet 20 of 23)*



**FRONT VIEW**



**AlphaServer 4000/4100 w/RAID Array 7000** IP-H9A15-3-16  
**CABLING CONFIGURATION**  
*Figure 4. AS4000/4100 Configurations (Sheet 21 of 23)*

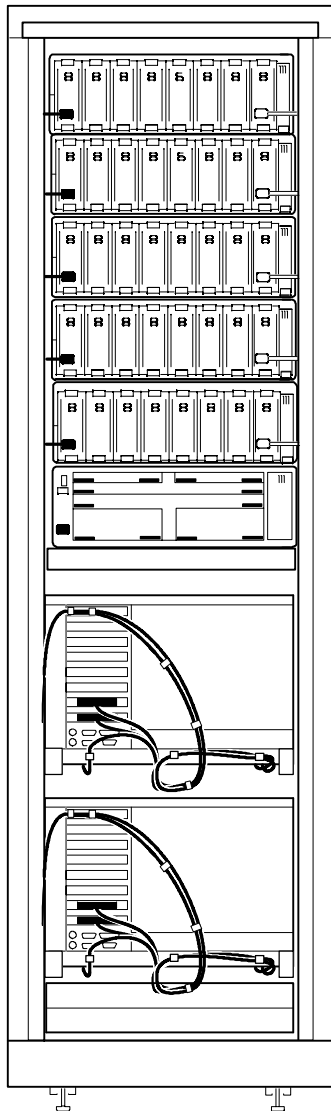


SIDE VIEW

**AlphaServer 4000/4100 w/RAID Array 7000  
CABLING CONFIGURATION**

IP-H9A15-3-16A

*Figure 4. AS4000/4100 Configurations (Sheet 22 of 23)*

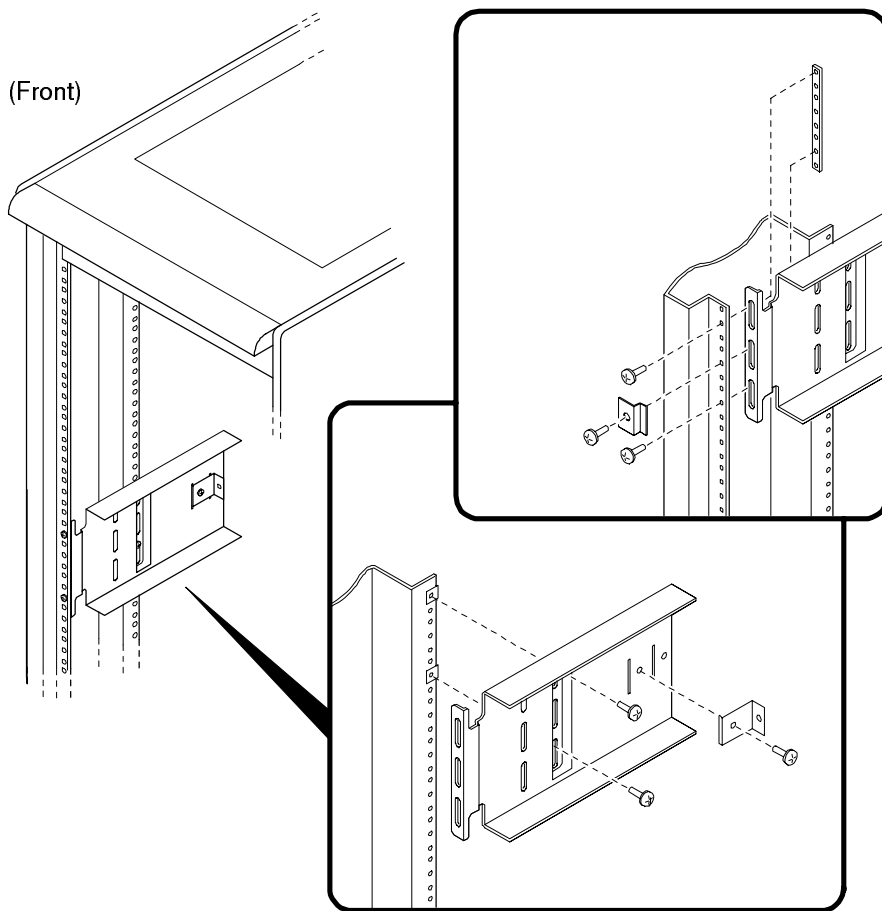


REAR VIEW

**AlphaServer 4000/4100 w/RAID Array 7000  
CABLING CONFIGURATION**

IP-H9A15-3-16B

*Figure 4. AS4000/4100 Configurations (Sheet 23 of 23)*

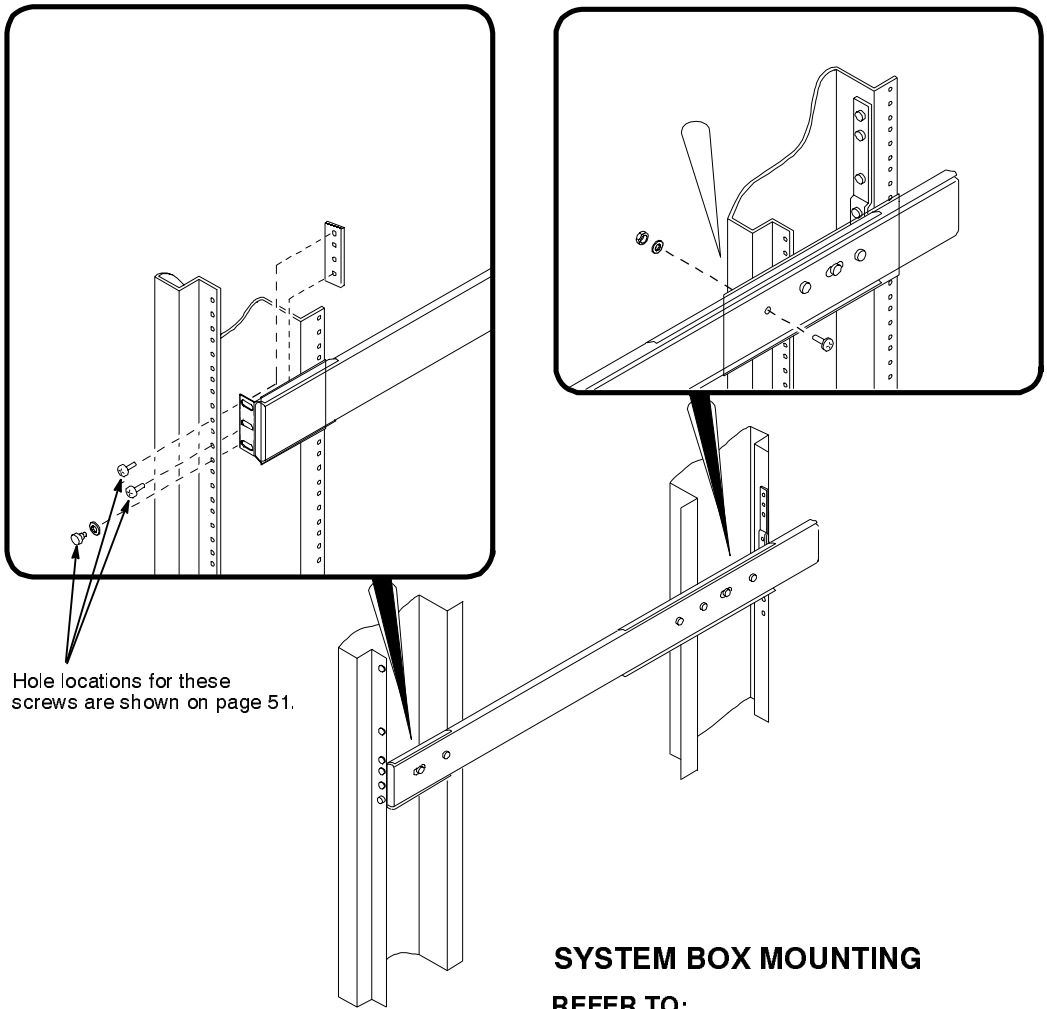


USING BA35X-RB MOUNTING KIT  
 FOR BA35X-RK MOUNTING KIT, SEE PAGE 28

**STORAGE SHELF MOUNTING**

IP-H9A15-3-5A

*Figure 5. AlphaServer 1200 and DS20 Configurations (Sheet 1 of 21)*



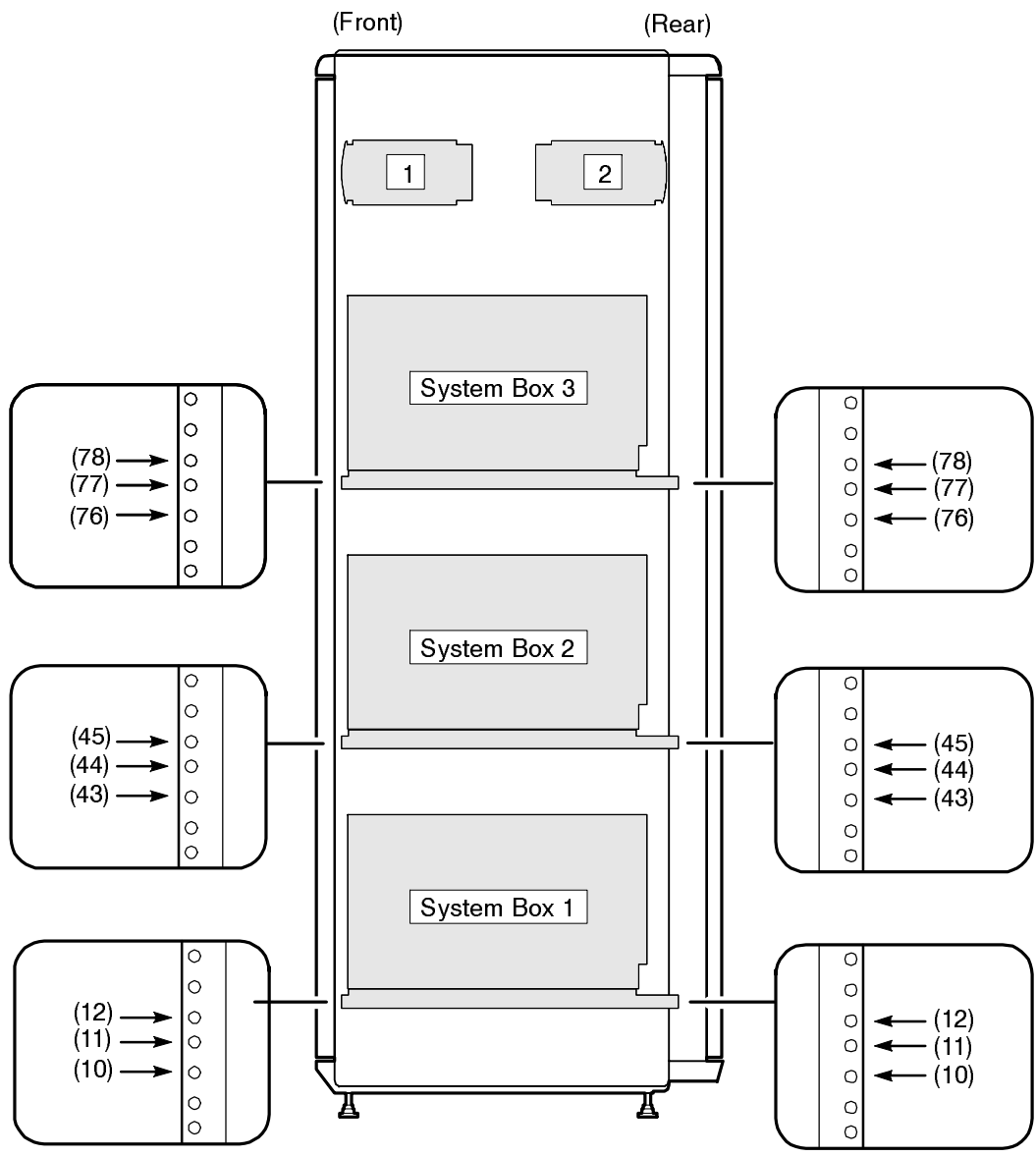
Hole locations for these screws are shown on page 51.

**SYSTEM BOX MOUNTING**

**REFER TO:**  
**AlphaServer 1200 RACK MOUNT KIT**  
**2T-R1200**

IP-H9A15-3-6A

*Figure 5. AlphaServer 1200 and DS20 Configurations (Sheet 2 of 21)*

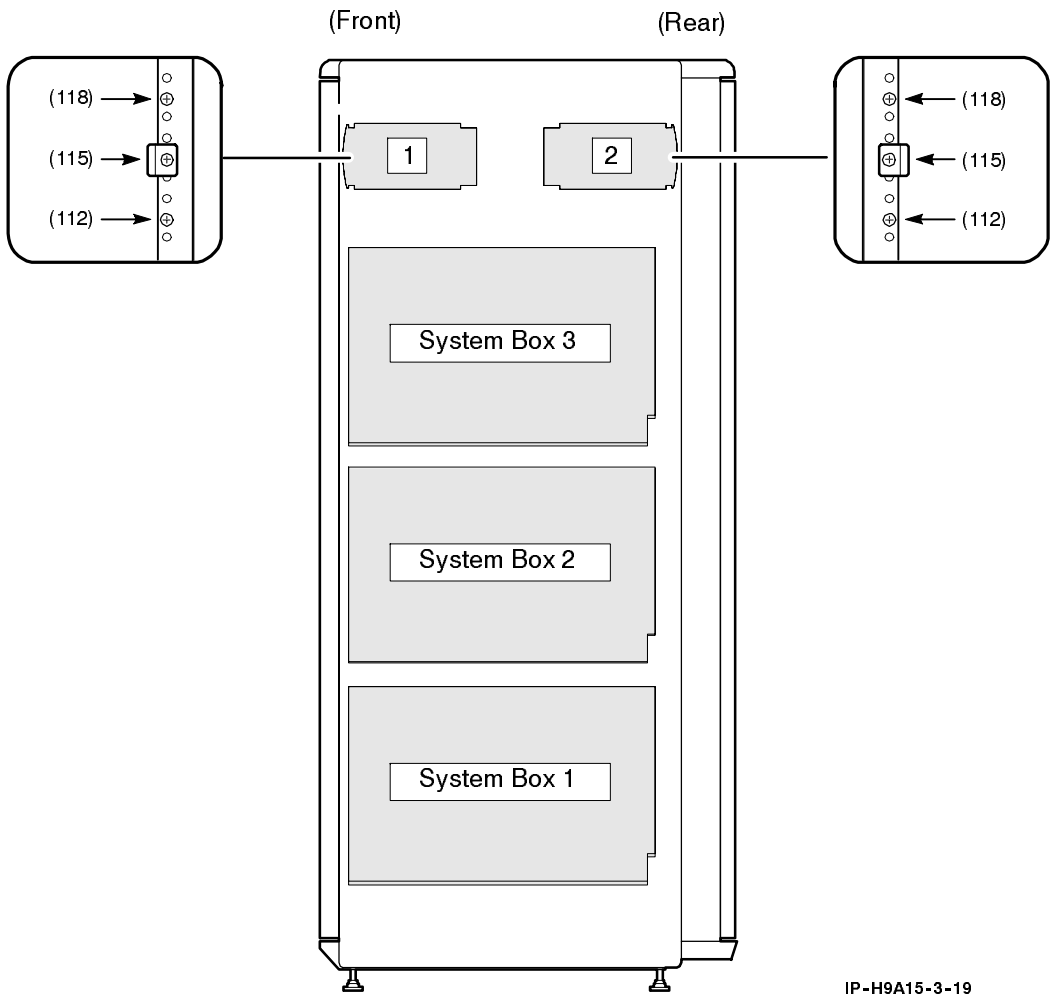


IP-H9A15-3-18

**AlphaServer 1200 and AlphaServer DS20  
SYSTEM BOX MOUNTING LOCATIONS**

*Figure 5. AlphaServer 1200 and DS20 Configurations (Sheet 3 of 21)*

**NOTE: RECOMMEND THAT STORAGE SHELVES WITH TAPE OPTIONS BE MOUNTED IN FRONT OF THE CAB, IF SPACE IS AVAILABLE.**



IP-H9A15-3-19

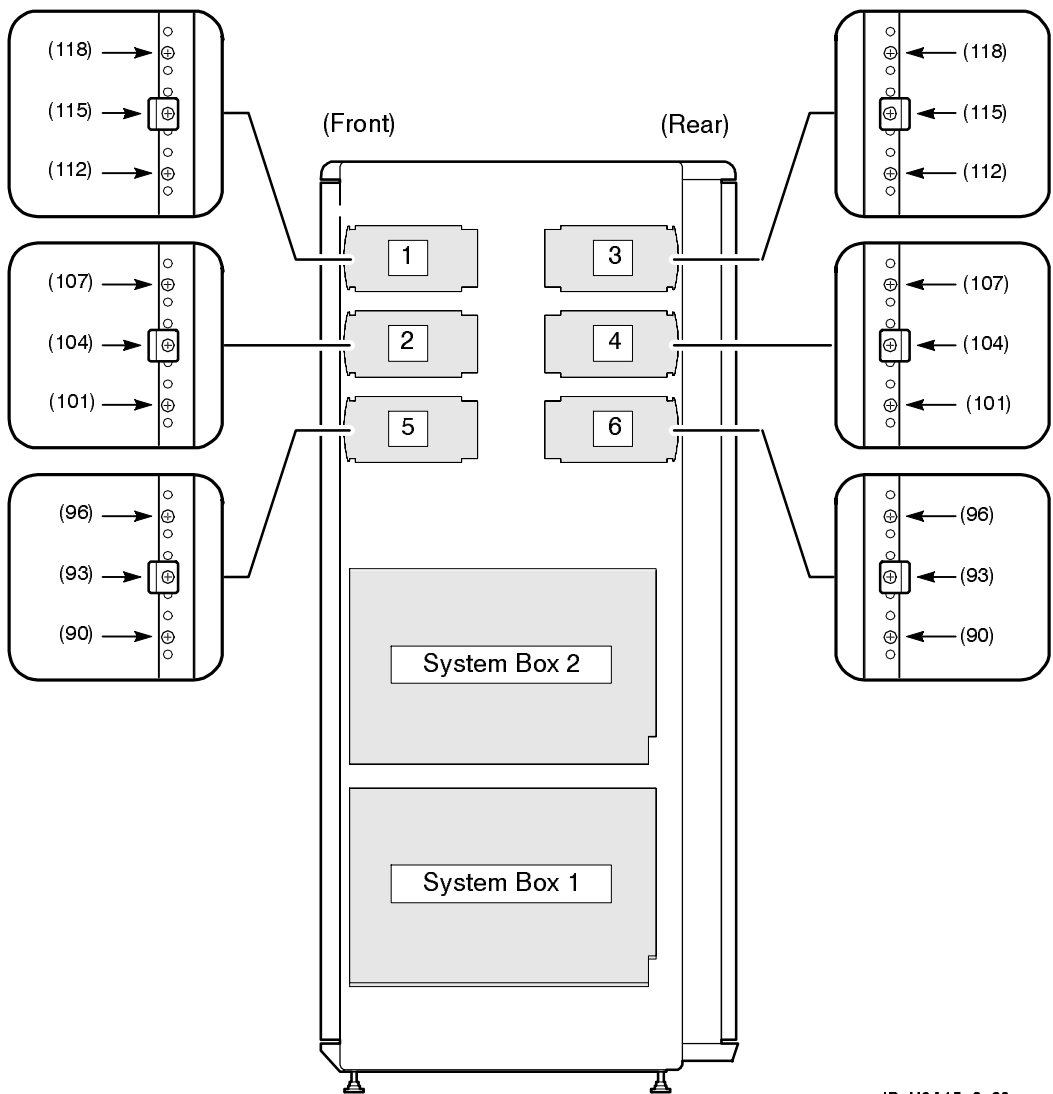
**AlphaServer 1200 and AlphaServer DS20  
STORAGE SHELF MOUNTING LOCATIONS**

**USING BA35X-RB MOUNTING KIT  
FOR BA35X-RK MOUNTING KIT, SEE PAGE 28**

*Figure 5. AlphaServer 1200 and DS20 Configurations (Sheet 4 of 21)*



**NOTE: RECOMMEND THAT STORAGE SHELVES WITH TAPE OPTIONS BE MOUNTED IN FRONT OF THE CAB, IF SPACE IS AVAILABLE.**

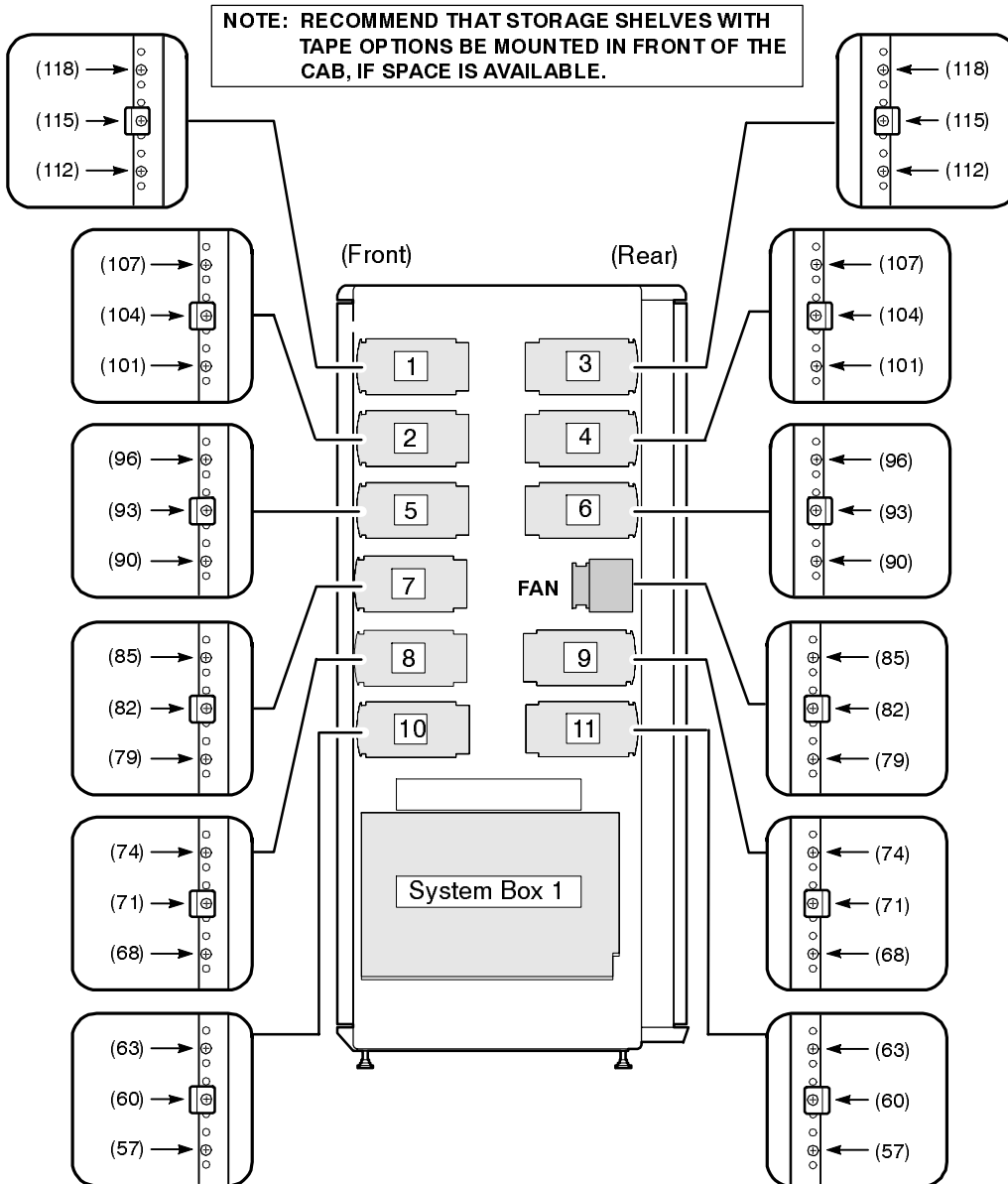


IP-H9A15-3-20

**AlphaServer 1200 and AlphaServer DS20  
STORAGE SHELF MOUNTING LOCATIONS**

**USING BA35X-RB MOUNTING KIT  
FOR BA35X-RK MOUNTING KIT, SEE PAGE 28**

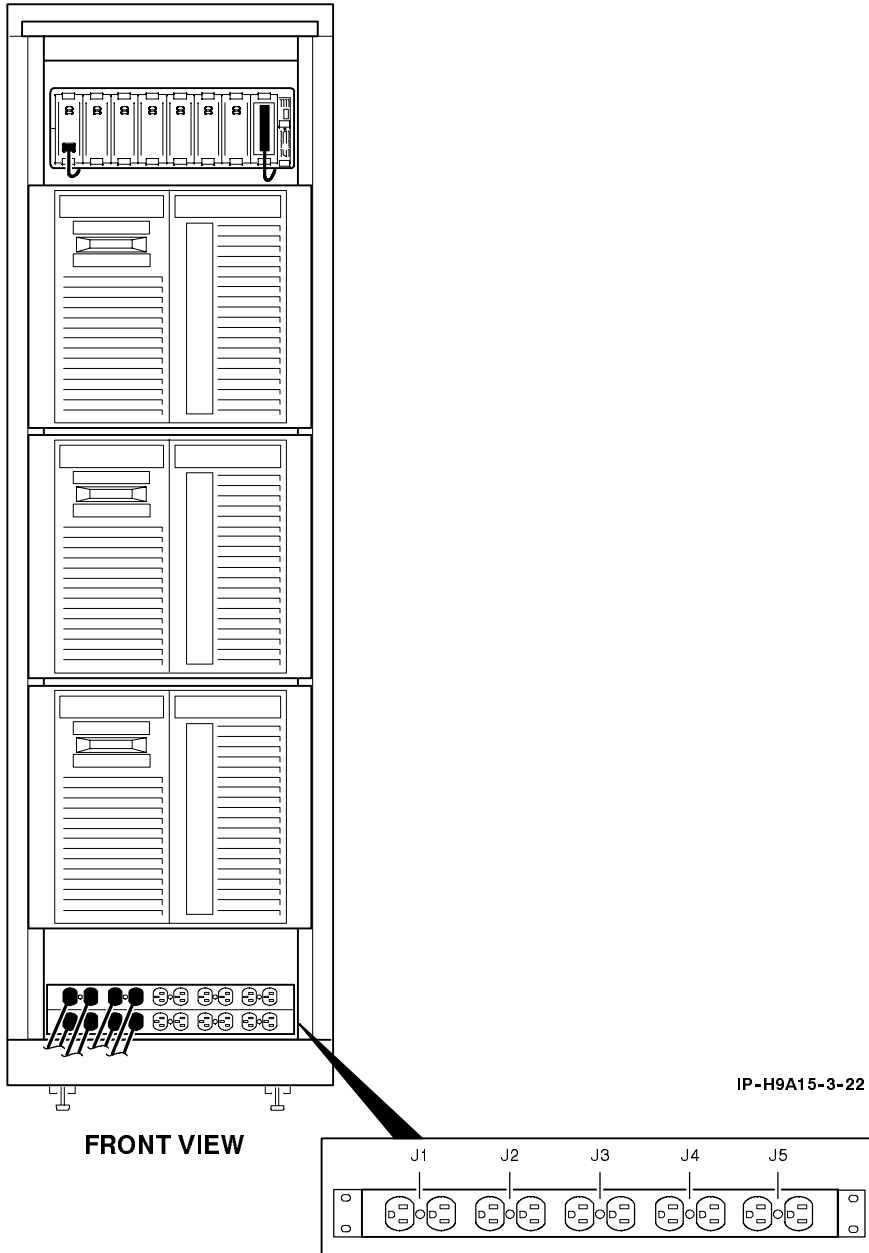
*Figure 5. AlphaServer 1200 and DS20 Configurations (Sheet 5 of 21)*



**AlphaServer 1200 and AlphaServer DS20  
STORAGE SHELF MOUNTING LOCATIONS  
USING BA35X-RB MOUNTING KIT  
FOR BA35X-RK MOUNTING KIT, SEE PAGE 28**

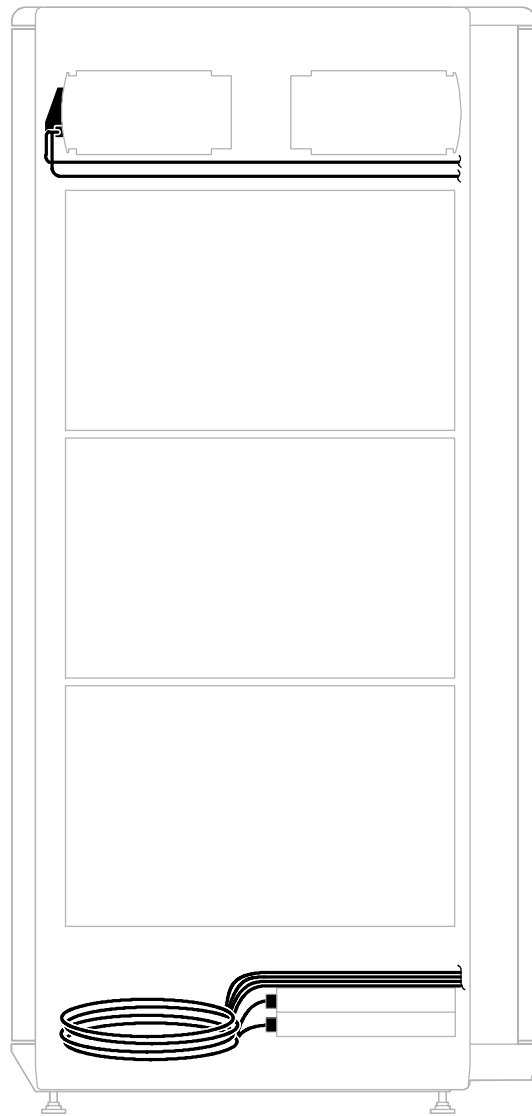
IP-H9A15-3-21

**Figure 5. AlphaServer 1200 and DS20 Configurations (Sheet 6 of 21)**



**AlphaServer 1200 and AlphaServer DS20  
CABLING CONFIGURATION**

**Figure 5. AlphaServer 1200 and DS20 Configurations (Sheet 7 of 21)**

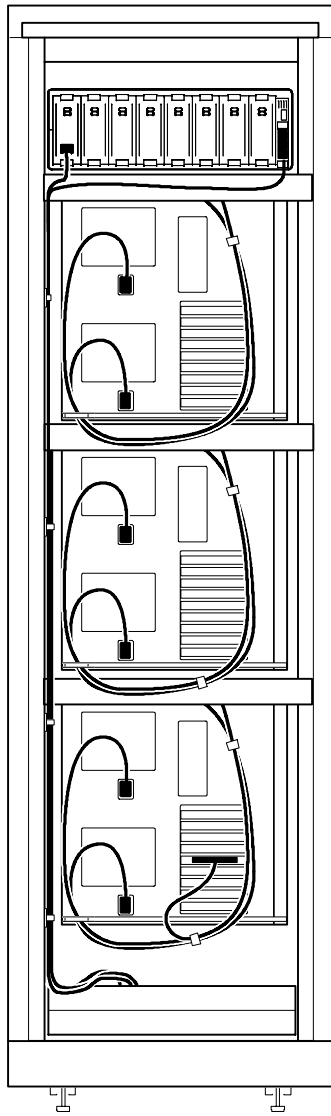


SIDE VIEW

AlphaServer 1200 and AlphaServer DS20  
CABLING CONFIGURATION

IP-H9A15-3-22A

Figure 5. AlphaServer 1200 and DS20 Configurations (Sheet 8 of 21)

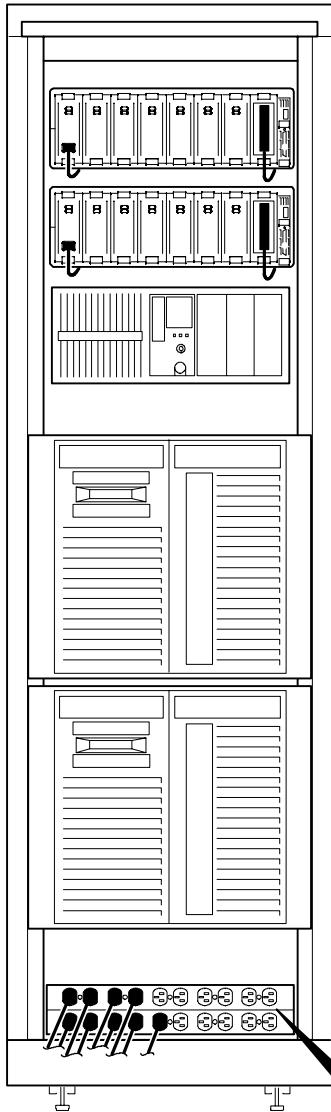


**REAR VIEW**

**AlphaServer 1200 and AlphaServer DS20  
CABLING CONFIGURATION**

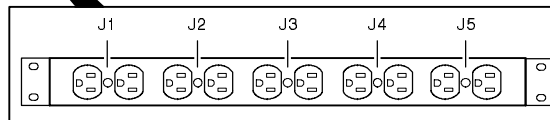
IP-H9A15-3-22B

*Figure 5. AlphaServer 1200 and DS20 Configurations (Sheet 9 of 21)*



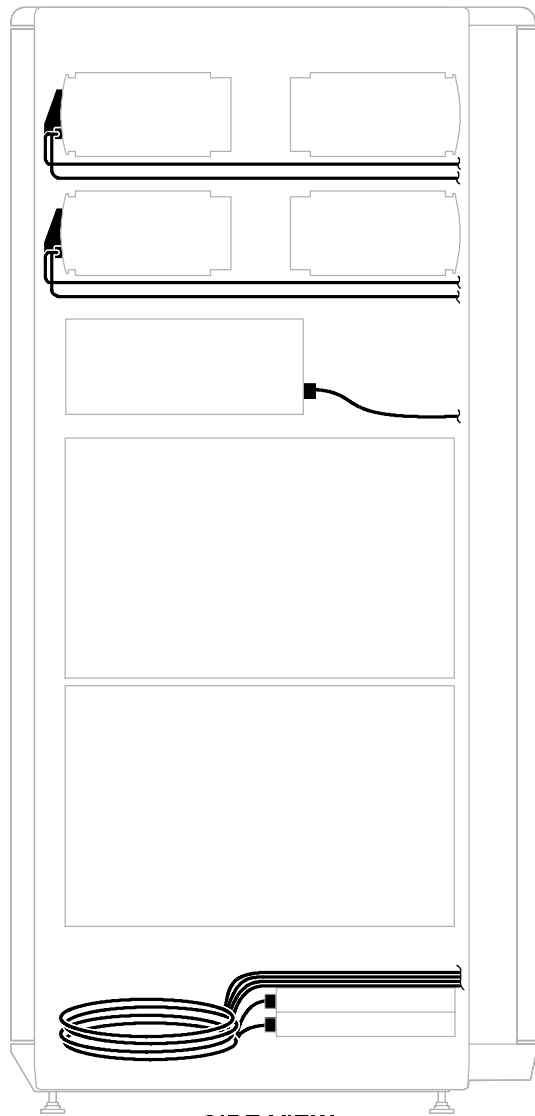
FRONT VIEW

IP-H9A15-3-23



AlphaServer 1200 and AlphaServer DS20 w/MEMORY CHANNEL and  
MEMORY CHANNEL 2 CABLING CONFIGURATION

Figure 5. AlphaServer 1200 and DS20 Configurations (Sheet 10 of 21)

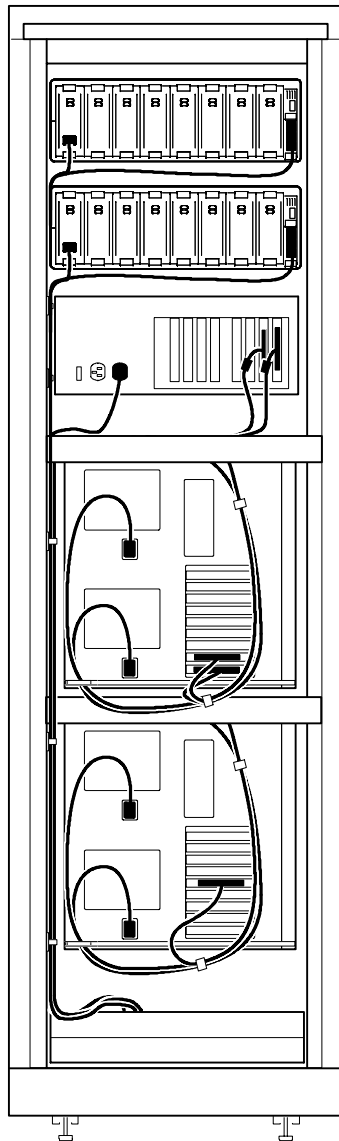


**SIDE VIEW**

IP-H9A15-3-23A

**AlphaServer 1200 and AlphaServer DS20 w/MEMORY CHANNEL and  
MEMORY CHANNEL 2 CABLING CONFIGURATION**

**Figure 5. AlphaServer 1200 and DS20 Configurations (Sheet 11 of 21)**



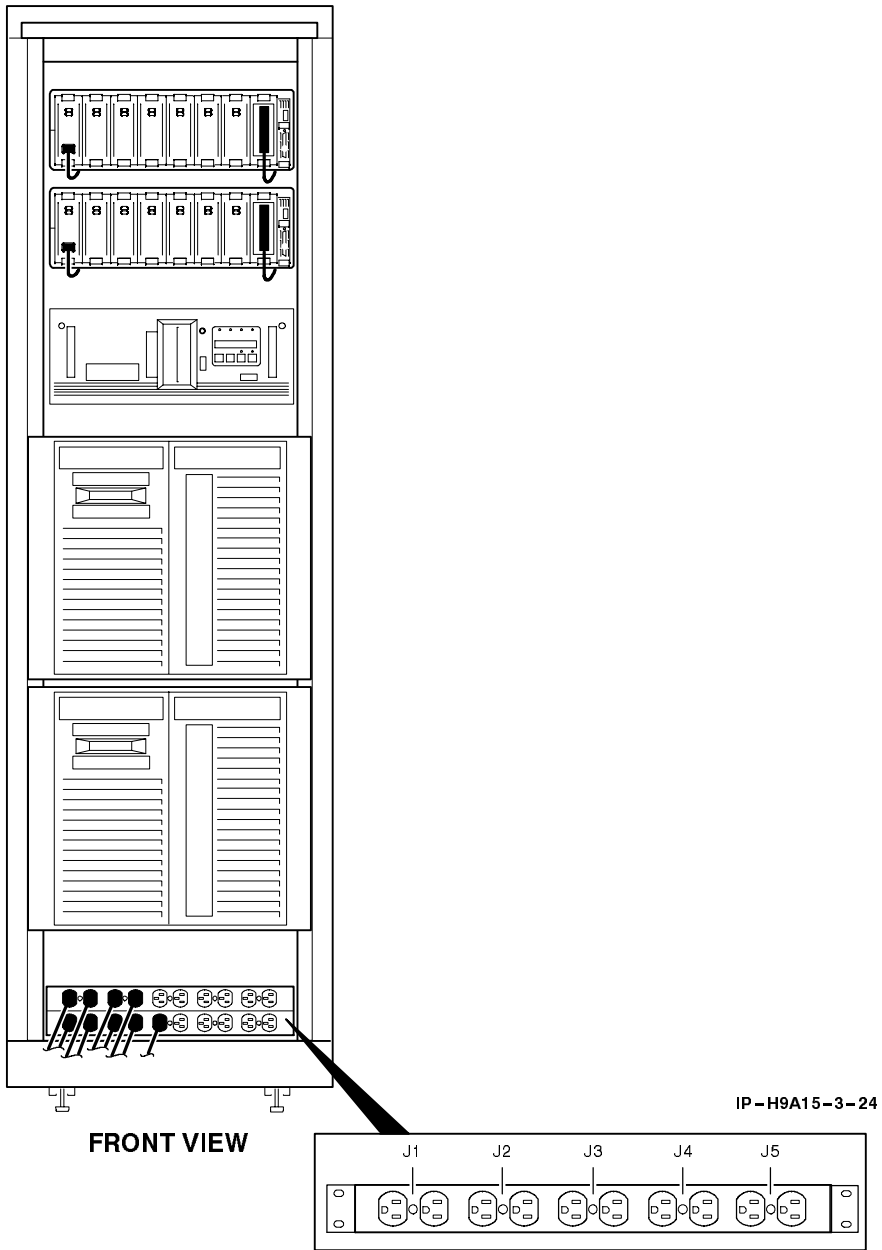
**REAR VIEW**

IP-H9A15-3-23B

**AlphaServer 1200 and AlphaServer DS20 w/MEMORY CHANNEL and  
MEMORY CHANNEL 2 CABLING CONFIGURATION**

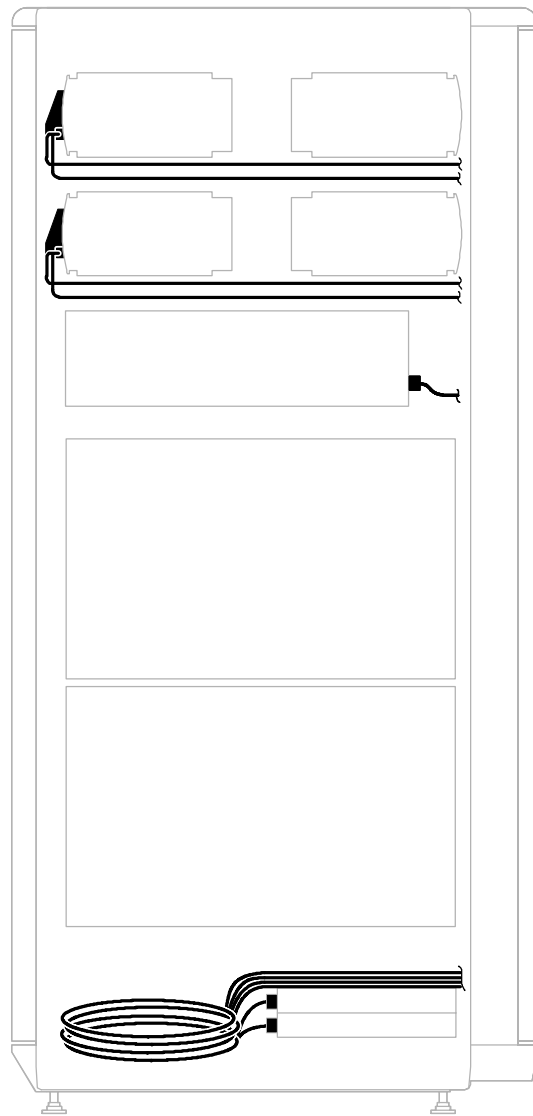
*Figure 5. AlphaServer 1200 and DS20 Configurations (Sheet 12 of 21)*





**AlphaServer 1200 and AlphaServer DS20 w/MiniLibrary BASE MODULE  
CABLING CONFIGURATION**

*Figure 5. AlphaServer 1200 and DS20 Configurations (Sheet 13 of 21)*

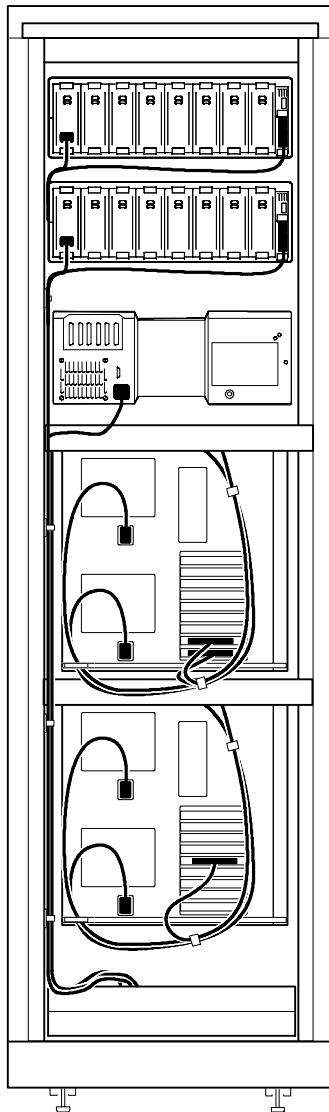


SIDE VIEW

IP-H9A15-3-24A

**AlphaServer 1200 and AlphaServer DS20 w/MiniLibrary BASE MODULE  
CABLING CONFIGURATION**

*Figure 5. Alpha Server 1200 and DS20 Configurations (Sheet 14 of 21)*

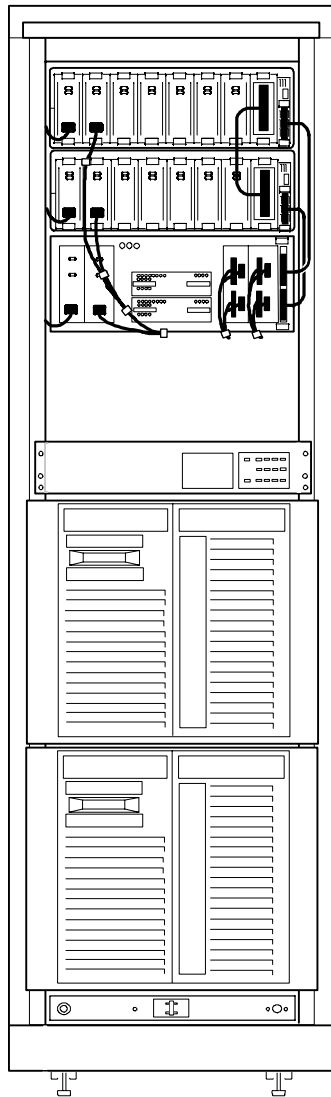


**REAR VIEW**

IP-H9A15-3-24B

**AlphaServer 1200 and AlphaServer DS20 w/MiniLibrary BASE MODULE  
CABLING CONFIGURATION**

*Figure 5. AlphaServer 1200 and DS20 Configurations (Sheet 15 of 21)*

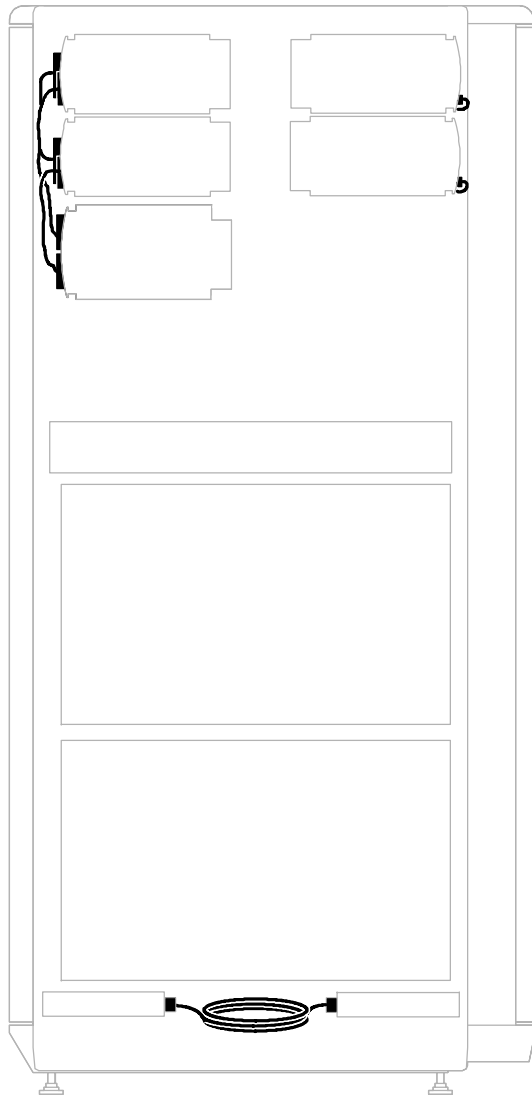


**FRONT VIEW**

IP-H9A15-3-25

**AlphaServer 1200 and AlphaServer DS20 w/RAID Array 3000  
CABLING CONFIGURATION**

*Figure 5. AlphaServer 1200 and DS20 Configurations (Sheet 16 of 21)*

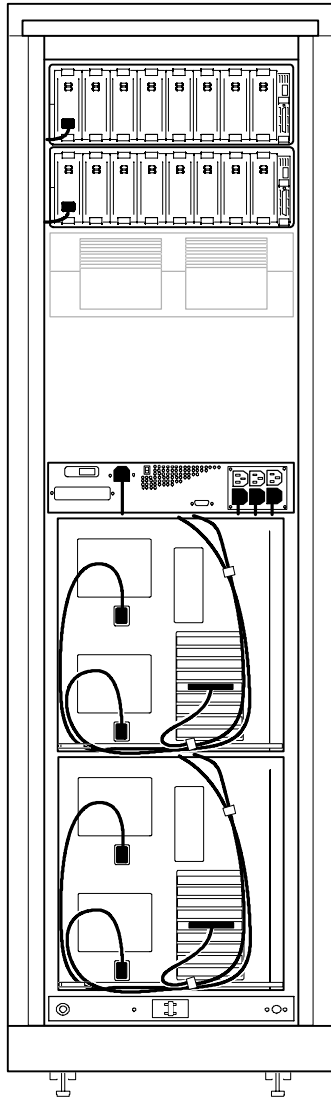


**SIDE VIEW**

IP-H9A15-3-25A

**AlphaServer 1200 and AlphaServer DS20 w/RAID Array 3000  
CABLING CONFIGURATION**

*Figure 5. Alpha Server 1200 and DS20 Configurations (Sheet 17 of 21)*

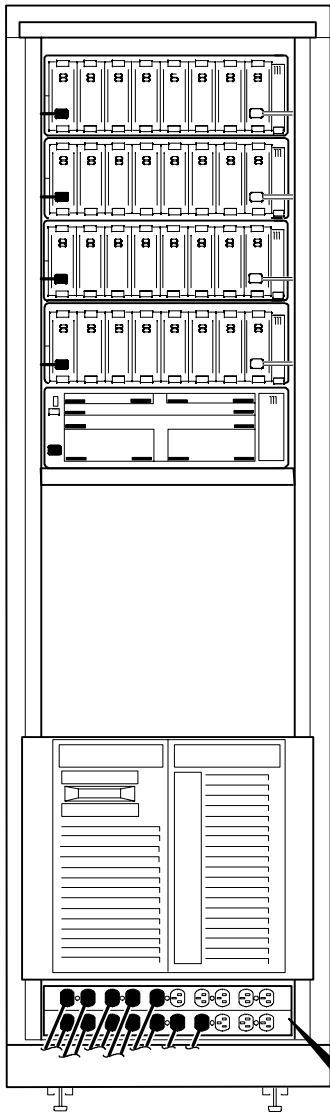


**REAR VIEW**

IP-H9A15-3-25B

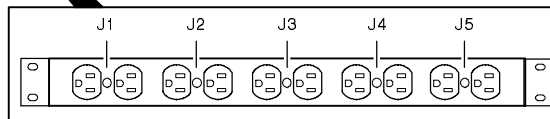
**AlphaServer 1200 and AlphaServer DS20 w/RAID Array 3000  
CABLING CONFIGURATION**

*Figure 5. AlphaServer 1200 and DS20 Configurations (Sheet 18 of 21)*



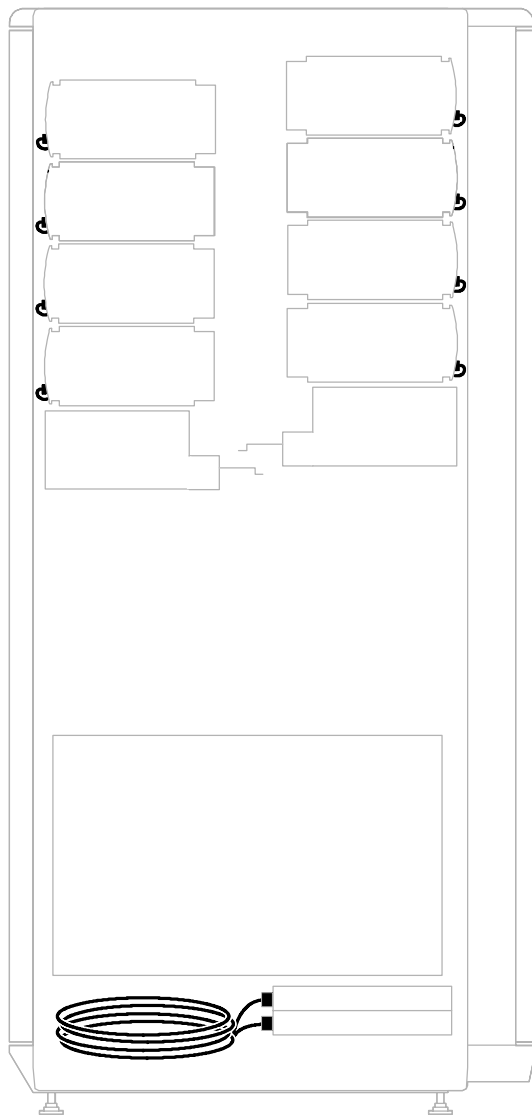
**FRONT VIEW**

IP-H9A15-3-26



**AlphaServer 1200 and AlphaServer DS20 w/RAID Array 7000  
CABLING CONFIGURATION**

*Figure 5. Alpha Server 1200 and DS20 Configurations (Sheet 19 of 21)*



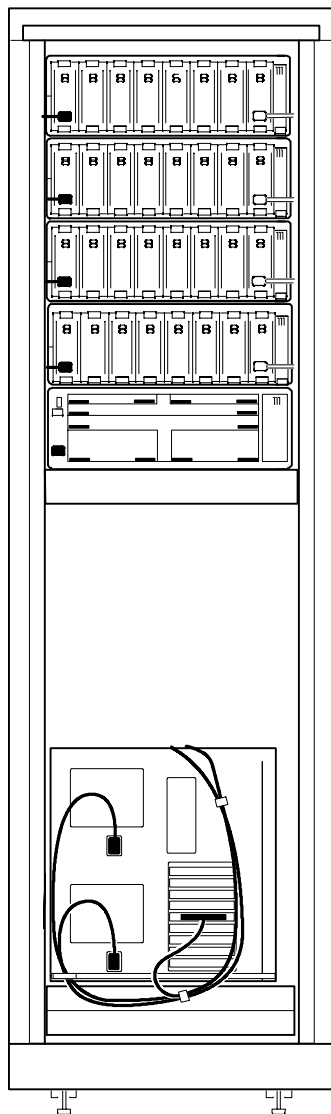
**SIDE VIEW**

IP-H9A15-3-26A

**AlphaServer 1200 and AlphaServer DS20 w/RAID Array 7000  
CABLING CONFIGURATION**

*Figure 5. Alpha Server 1200 and DS20 Configurations (Sheet 20 of 21)*



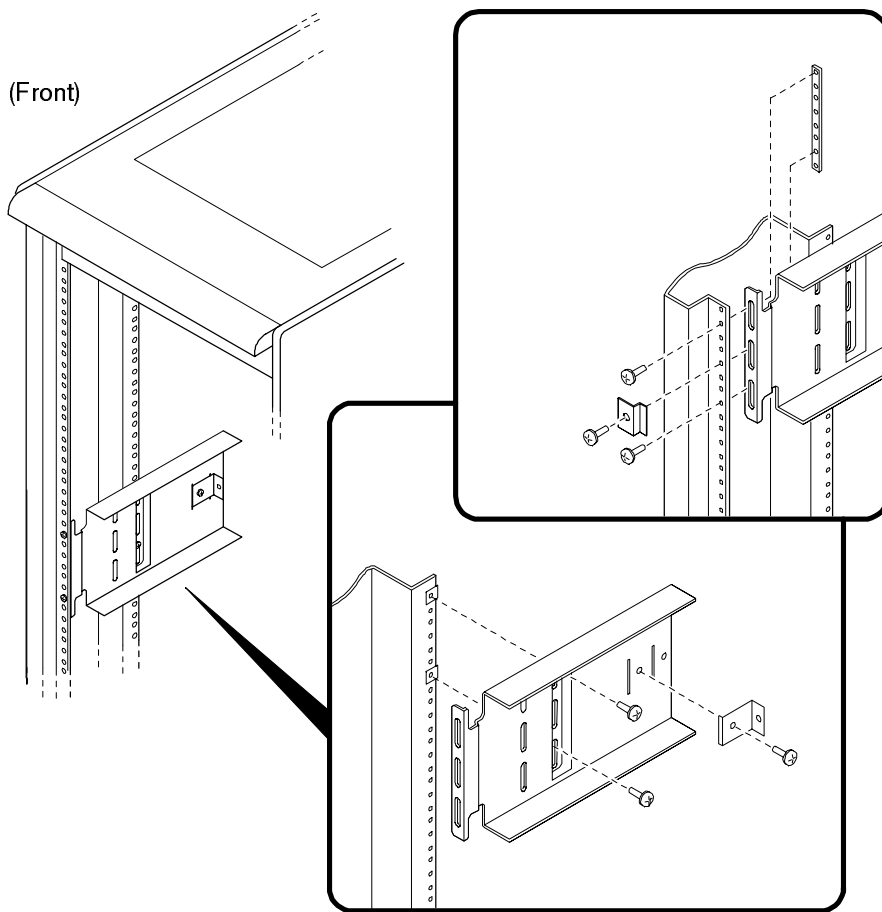


REAR VIEW

IP-H9A15-3-26B

**AlphaServer 1200 and AlphaServer DS20 w/RAID Array 7000  
CABLING CONFIGURATION**

*Figure 5. AlphaServer 1200 and DS20 Configurations (Sheet 21 of 21)*

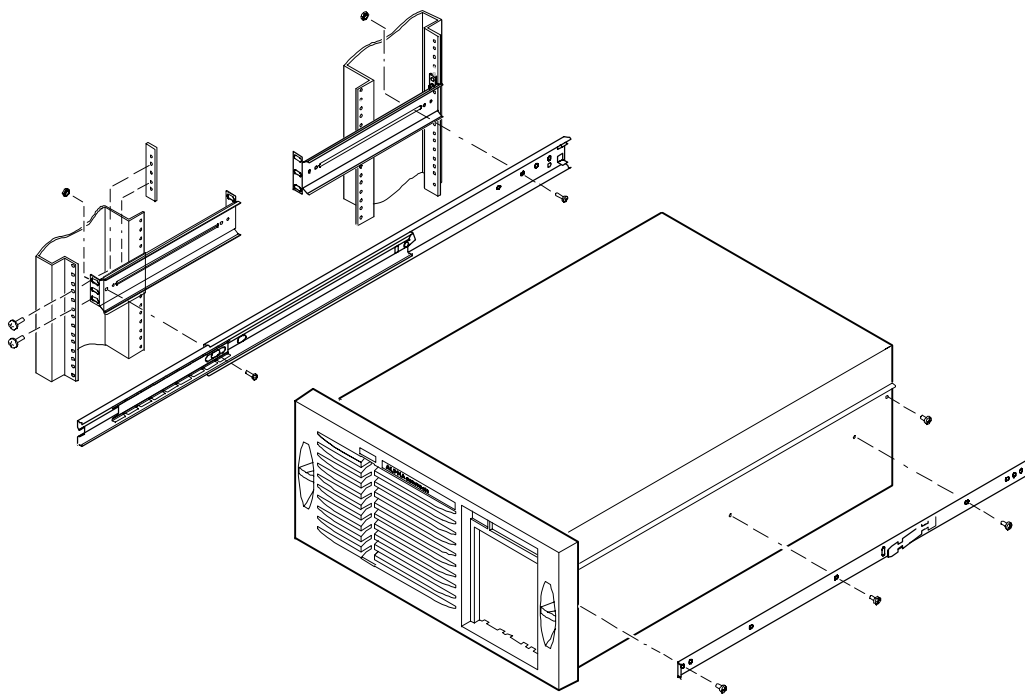


USING BA35X-RB MOUNTING KIT  
 FOR BA35X-RK MOUNTING KIT, SEE PAGE 28

IP-H9A15-3-5B

### STORAGE SHELF MOUNTING

*Figure 6. AlphaServer 800 Configurations (Sheet 1 of 22)*

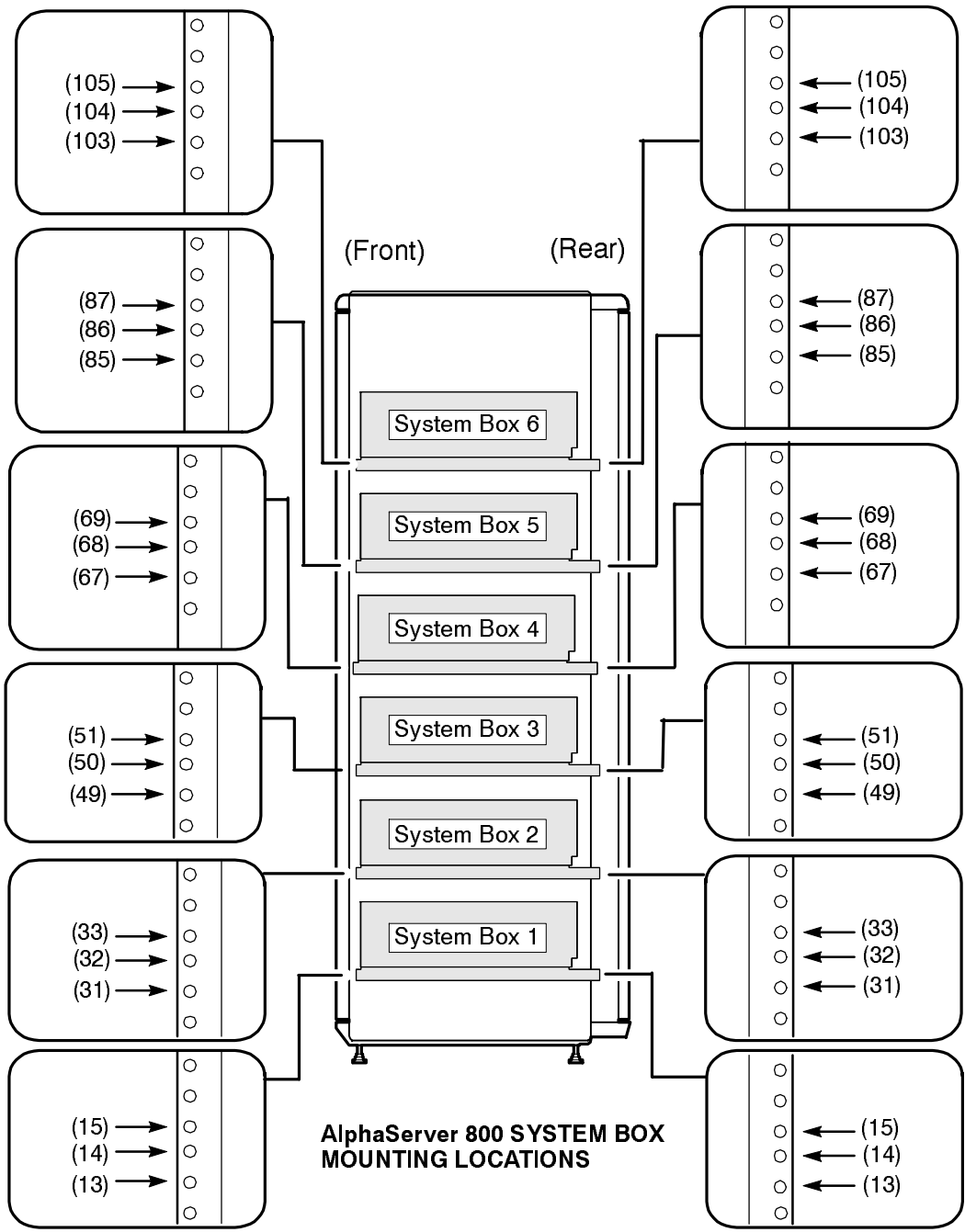


## SYSTEM BOX MOUNTING

REFER TO:  
AlphaServer 800 RACK MOUNT KIT  
PB8HA-BA

IP-H9A15-3-27

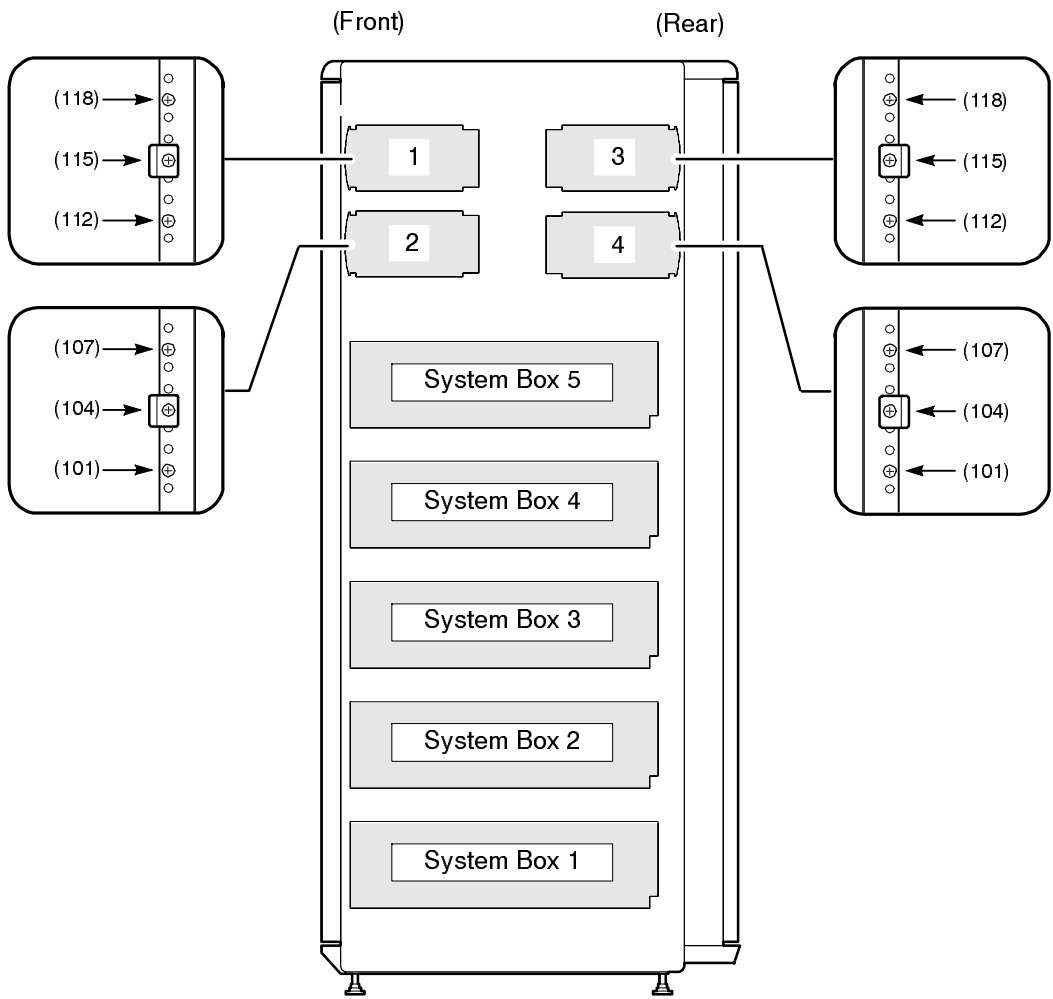
*Figure 6. AlphaServer 800 Configurations (Sheet 2 of 22)*



IP-H9A15-3-28

Figure 6. AlphaServer 800 Configurations (Sheet 3 of 22)

**NOTE: RECOMMEND THAT STORAGE SHELVES WITH TAPE OPTIONS BE MOUNTED IN FRONT OF THE CAB, IF SPACE IS AVAILABLE.**

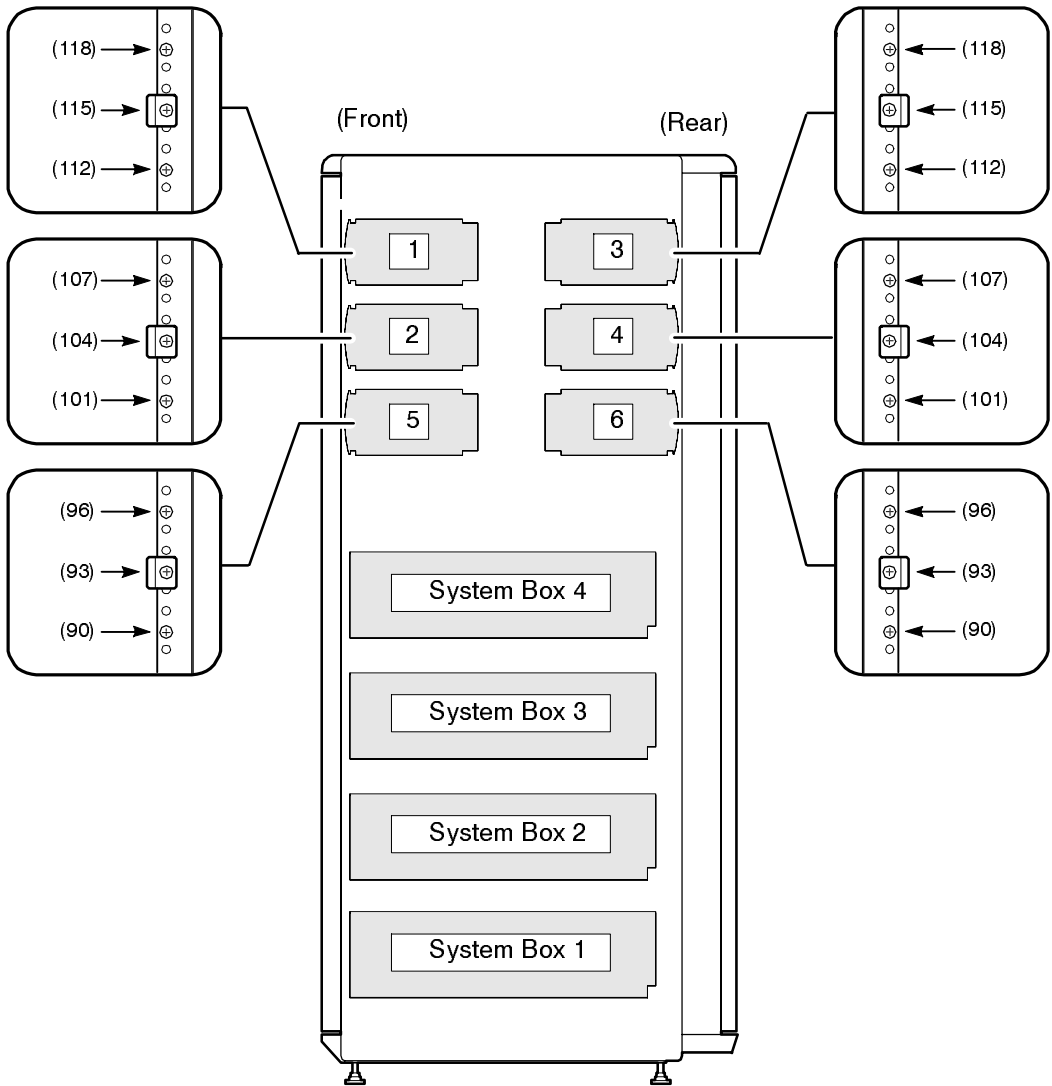


**AlphaServer 800 STORAGE SHELF MOUNTING LOCATIONS  
 USING BA35X-RB MOUNTING KIT  
 FOR BA35X-RK MOUNTING KIT, SEE PAGE 28**

IP-H9A15-3-29

*Figure 6. AlphaServer 800 Configurations (Sheet 4 of 22)*

**NOTE: RECOMMEND THAT STORAGE SHELVES WITH TAPE OPTIONS BE MOUNTED IN FRONT OF THE CAB, IF SPACE IS AVAILABLE.**

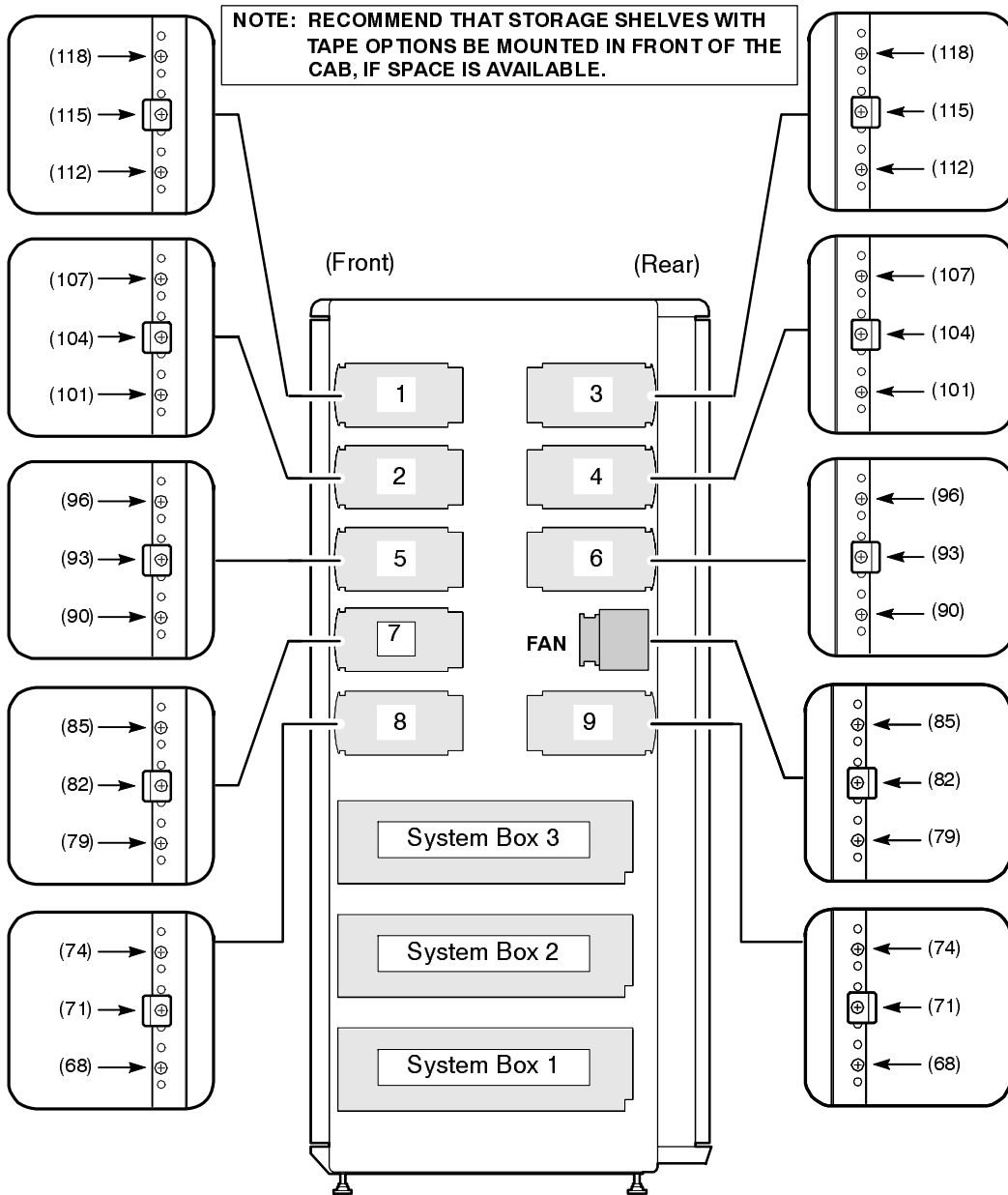


**AlphaServer 800 STORAGE SHELF MOUNTING LOCATIONS**

**USING BA35X-RB MOUNTING KIT  
FOR BA35X-RK MOUNTING KIT, SEE PAGE 28**

IP-H9A15-3-30

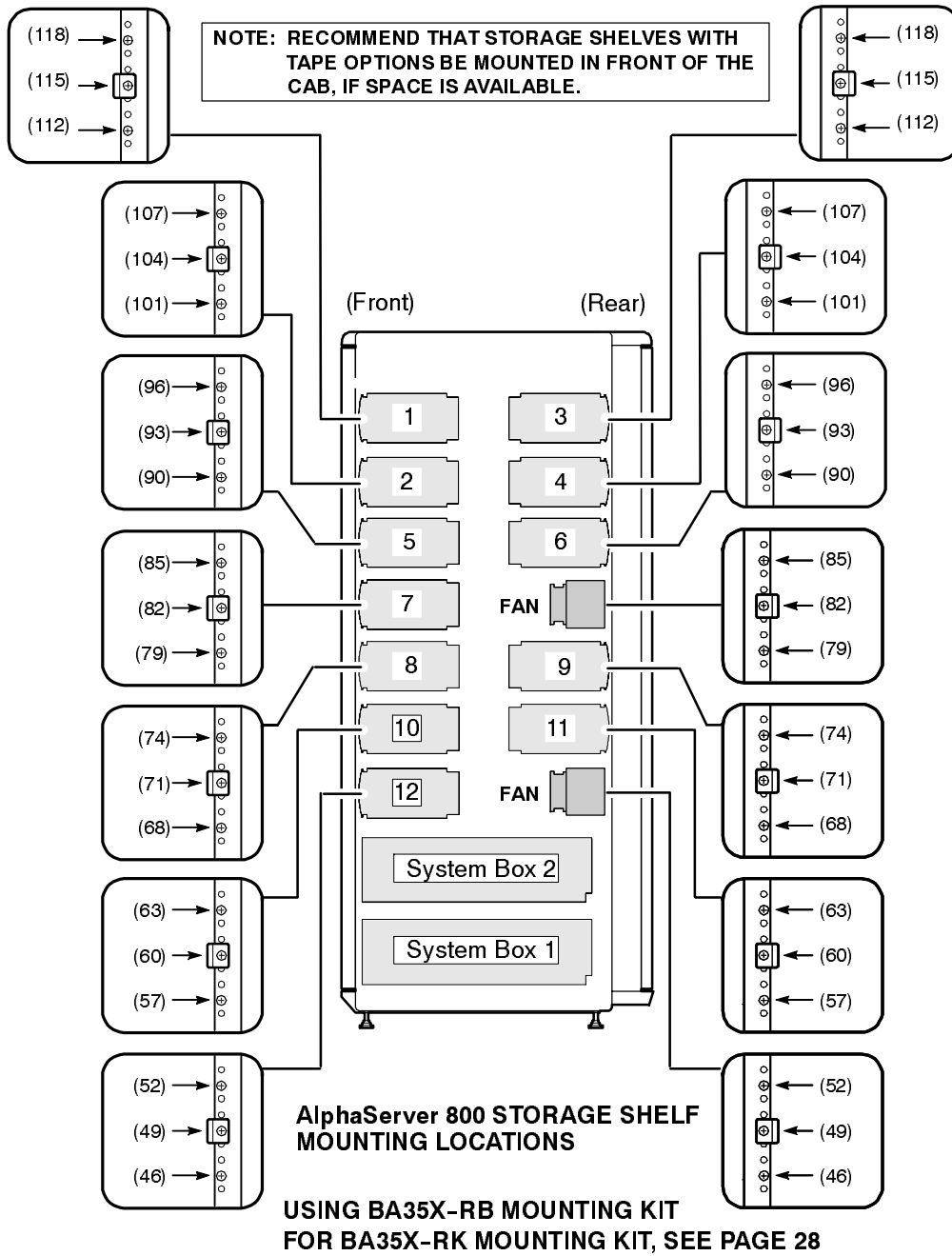
*Figure 6. AlphaServer 800 Configurations (Sheet 5 of 22)*



**AlphaServer 800 STORAGE SHELF MOUNTING LOCATIONS  
USING BA35X-RB MOUNTING KIT  
FOR BA35X-RK MOUNTING KIT, SEE PAGE 28**

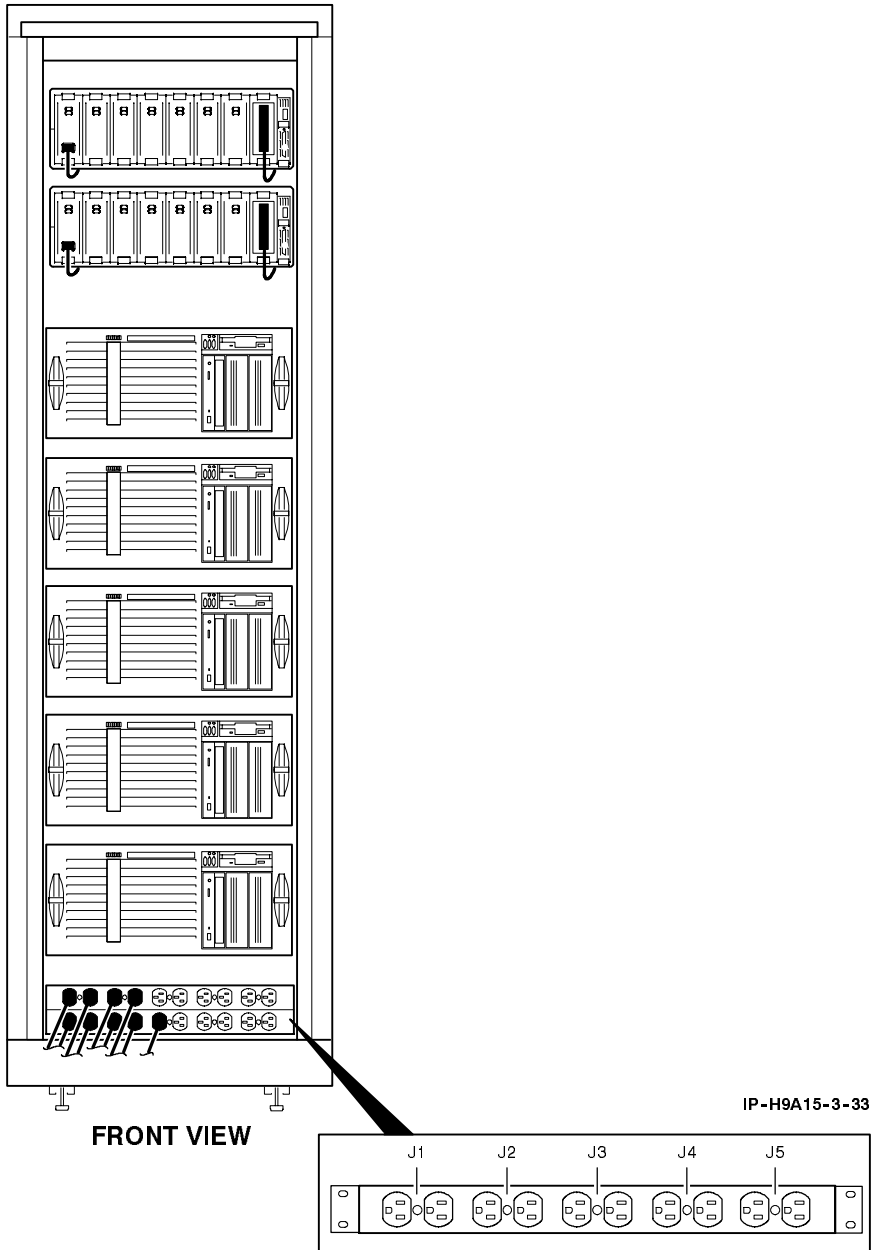
IP-H9A15-3-31

*Figure 6. AlphaServer 800 Configurations (Sheet 6 of 22)*



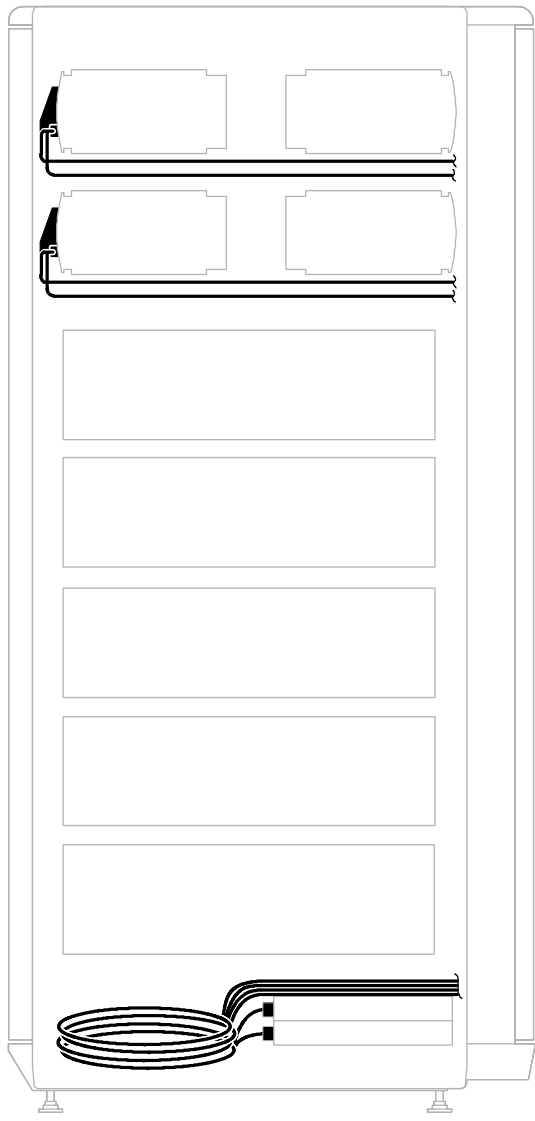
**Figure 6. AlphaServer 800 Configurations (Sheet 7 of 22)**





**AlphaServer 800 CABLING CONFIGURATION**

*Figure 6. AlphaServer 800 Configurations (Sheet 8 of 22)*

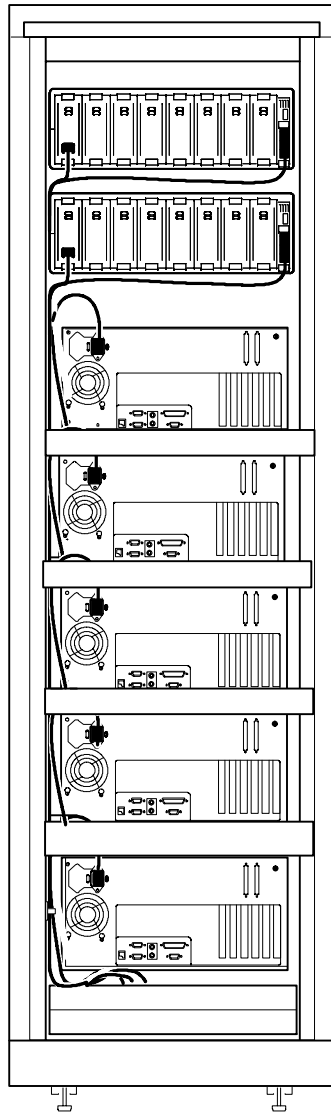


SIDE VIEW

IP-H9A15-3-33A

**AlphaServer 800 CABLING CONFIGURATION**

*Figure 6. AlphaServer 800 Configurations (Sheet 9 of 22)*

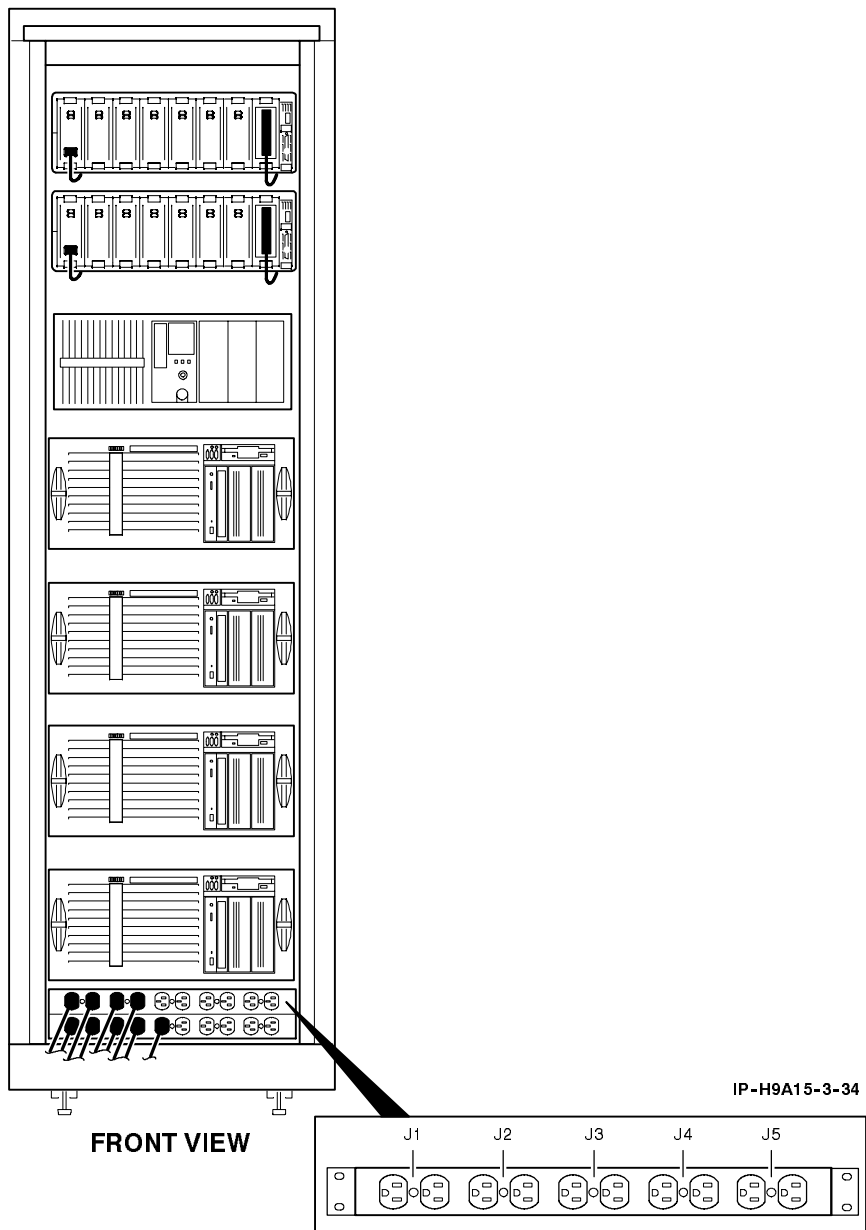


REAR VIEW

IP-H9A15-3-33B

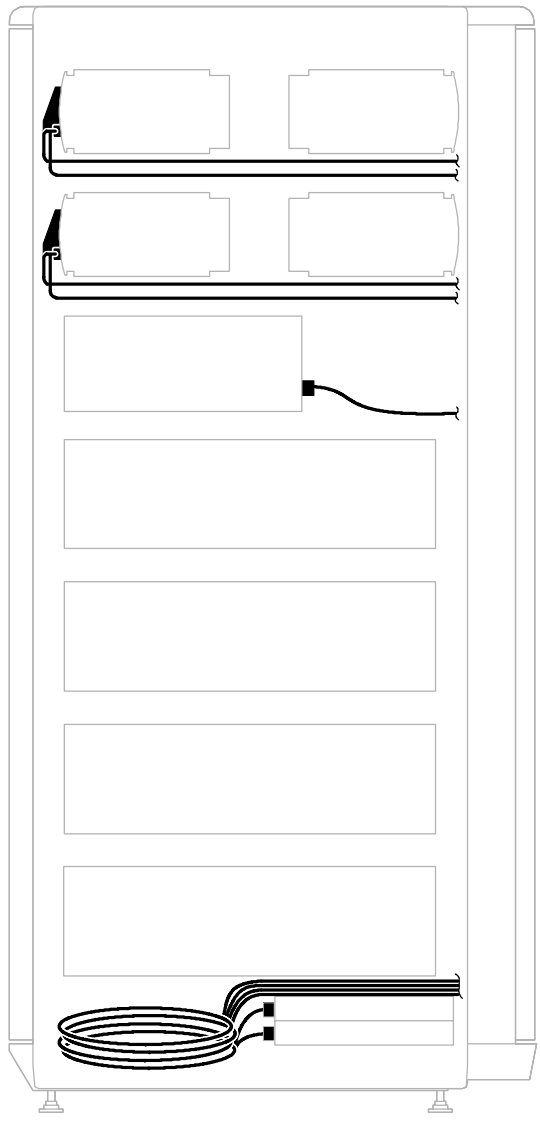
**AlphaServer 800 CABLING CONFIGURATION**

*Figure 6. AlphaServer 800 Configurations (Sheet 10 of 22)*



AlphaServer 800 w/MEMORY CHANNEL and MEMORY CHANNEL 2 CABLING CONFIGURATION

Figure 6. Alpha Server 800 Configurations (Sheet 11 of 22)

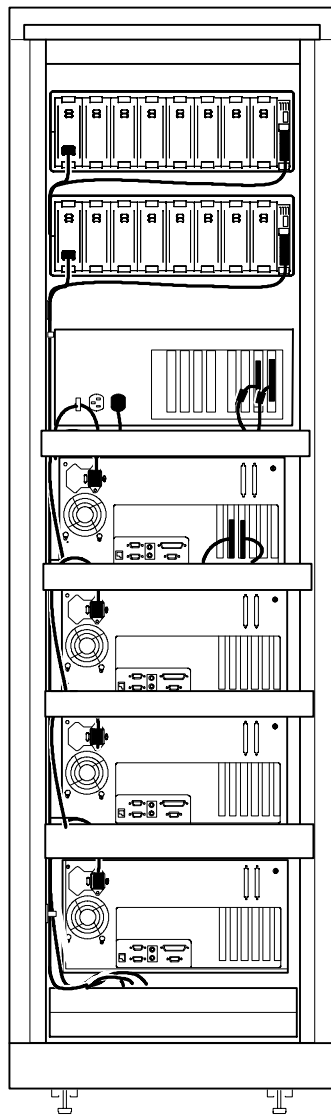


**SIDE VIEW**

IP-H9A15-3-34A

**AlphaServer 800 w/MEMORY CHANNEL and MEMORY CHANNEL 2 CABLING CONFIGURATION**

*Figure 6. AlphaServer 800 Configurations (Sheet 12 of 22)*

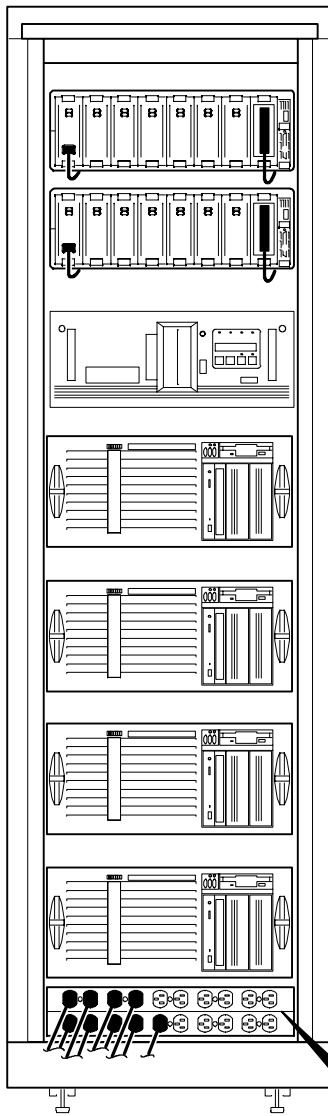


**REAR VIEW**

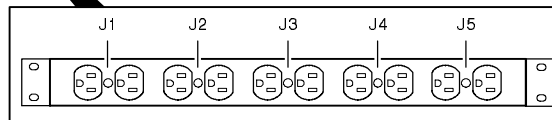
**AlphaServer 800 w/MEMORY CHANNEL and MEMORY CHANNEL 2 CABLING CONFIGURATION**

IP-H9A15-3-34B

**Figure 6. AlphaServer 800 Configurations (Sheet 13 of 22)**

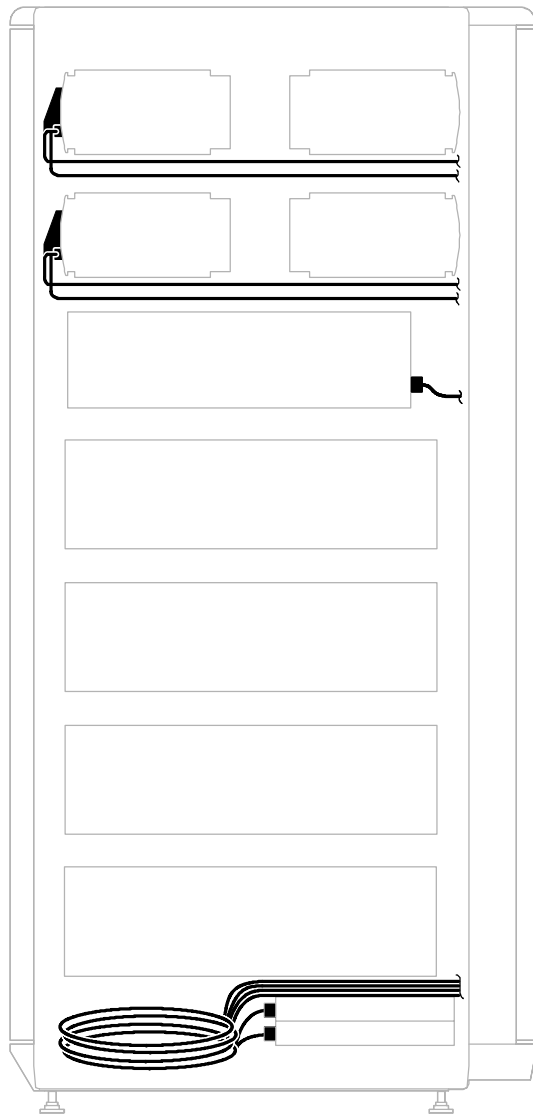


**FRONT VIEW**



**AlphaServer 800 w/DLT MiniLibrary BASE MODULE IP-H9A15-3-35  
CABLING CONFIGURATION**

**Figure 6. AlphaServer 800 Configurations (Sheet 14 of 22)**



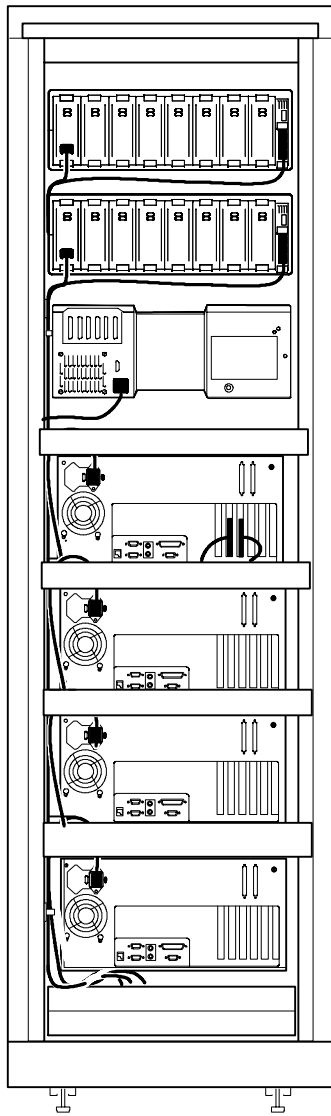
**SIDE VIEW**

**AlphaServer 800 w/DLT MiniLibrary BASE MODULE  
CABLING CONFIGURATION**

IP-H9A15-3-35A

*Figure 6. AlphaServer 800 Configurations (Sheet 15 of 22)*



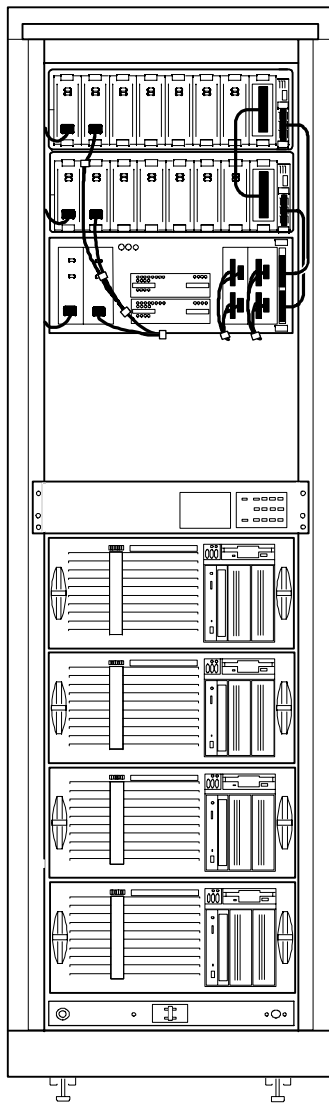


**REAR VIEW**

**AlphaServer 800 w/DLT MiniLibrary BASE MODULE  
CABLING CONFIGURATION**

IP-H9A15-3-35B

*Figure 6. AlphaServer 800 Configurations (Sheet 16 of 22)*

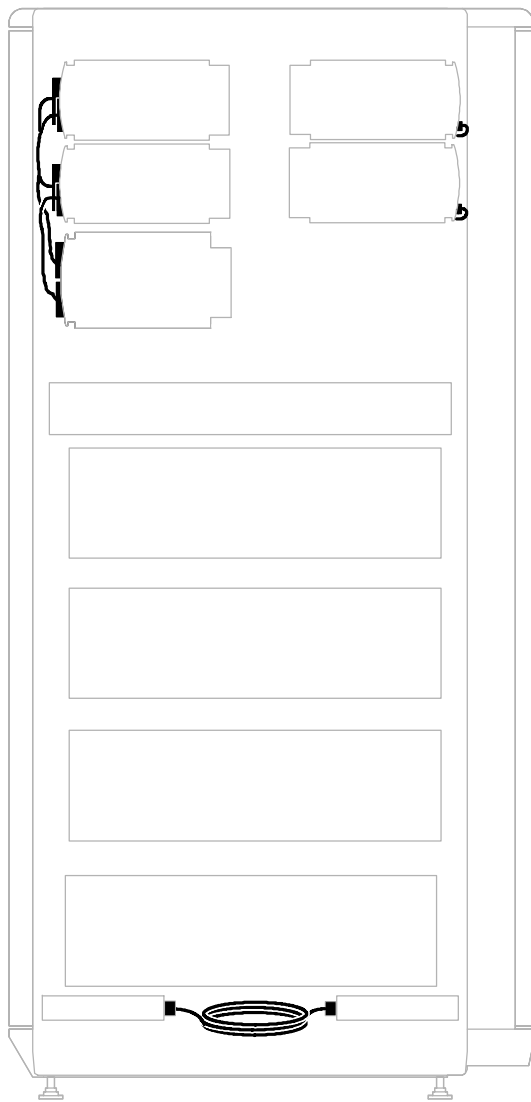


**FRONT VIEW**

**AlphaServer 800 w/RAID Array 3000  
CABLING CONFIGURATION**

IP-H9A15-3-36

*Figure 6. AlphaServer 800 Configurations (Sheet 17 of 22)*

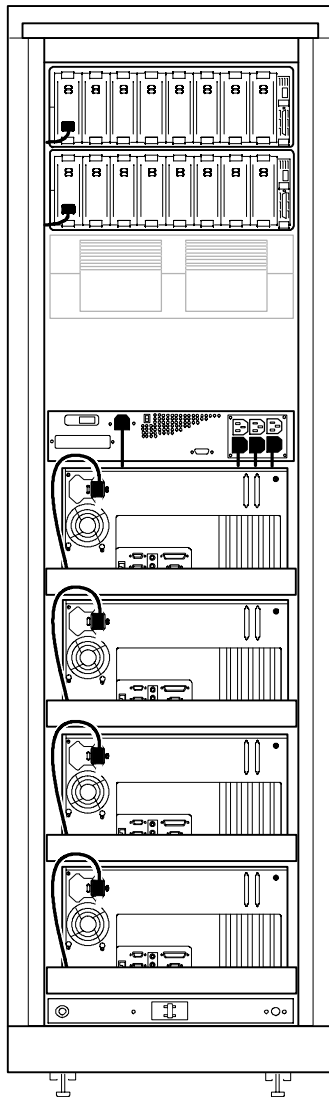


**SIDE VIEW**

**AlphaServer 800 w/RAID Array 3000  
CABLING CONFIGURATION**

IP-H9A15-3-36A

*Figure 6. AlphaServer 800 Configurations (Sheet 18 of 22)*

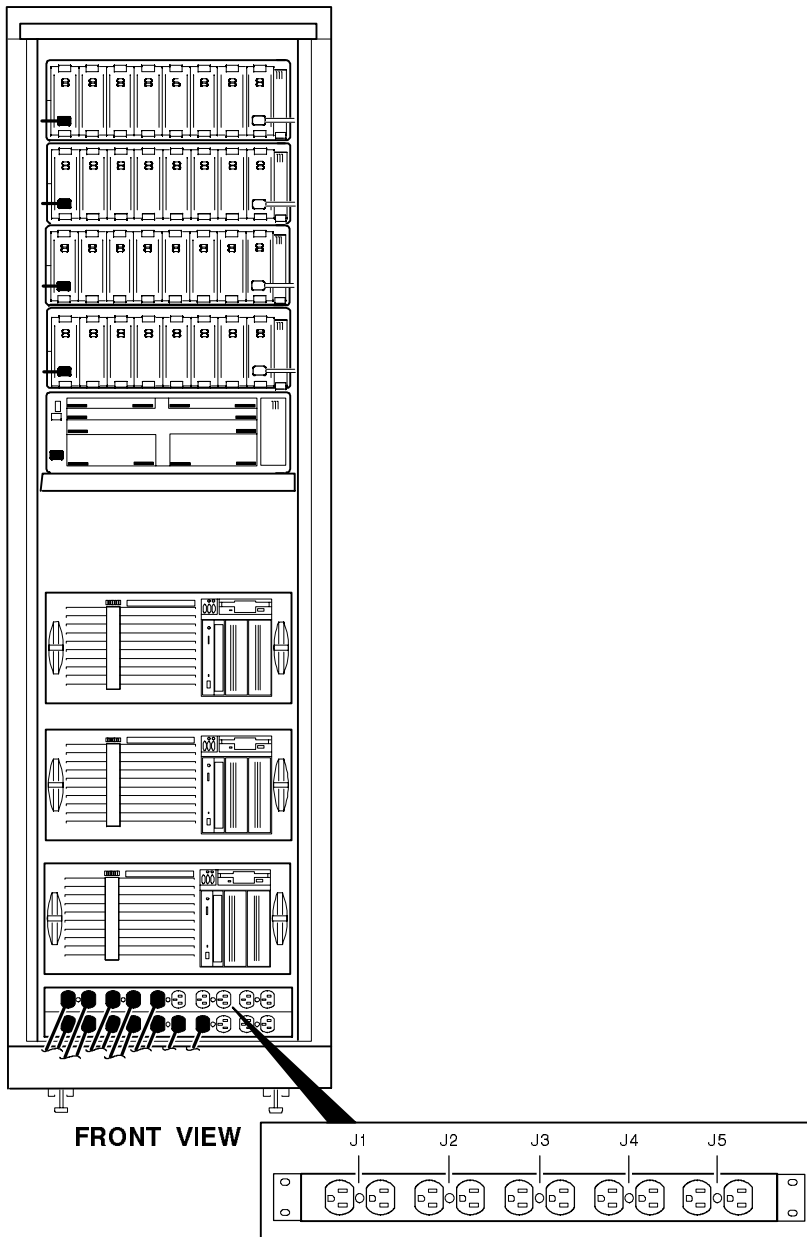


REAR VIEW

**AlphaServer 800 w/RAID Array 3000  
CABLING CONFIGURATION**

IP-H9A15-3-36B

*Figure 6. AlphaServer 800 Configurations (Sheet 19 of 22)*

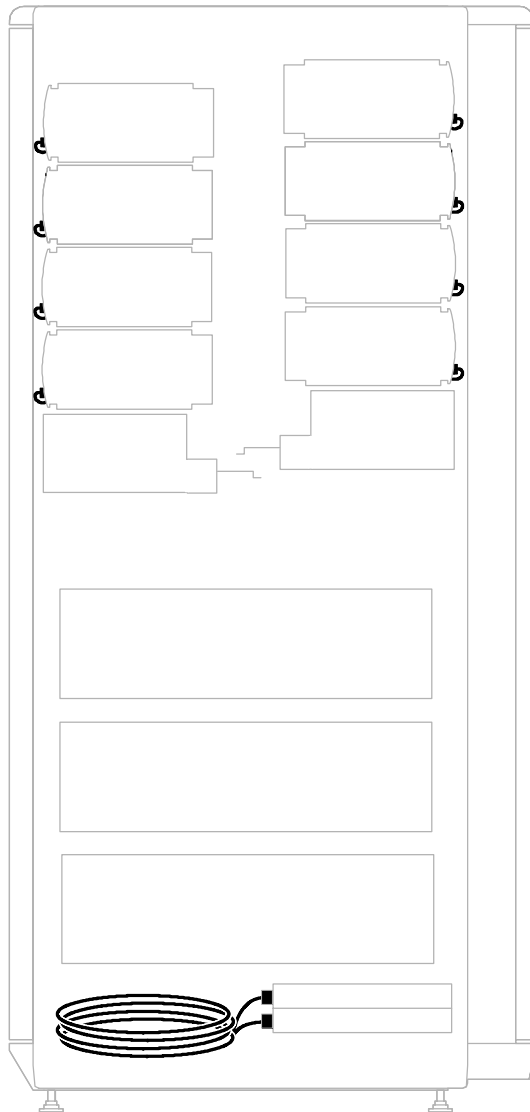


**FRONT VIEW**

**AlphaServer 800 w/RAID Array 7000  
CABLING CONFIGURATION**

IP-H9A15-3-37

**Figure 6. AlphaServer 800 Configurations (Sheet 20 of 22)**

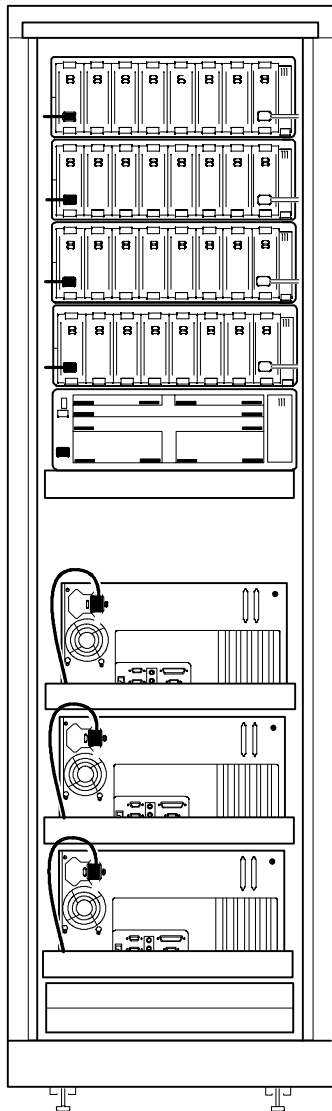


**SIDE VIEW**

**AlphaServer 800 w/RAID Array 7000  
CABLING CONFIGURATION**

IP-H9A15-3-37A

*Figure 6. AlphaServer 800 Configurations (Sheet 21 of 22)*

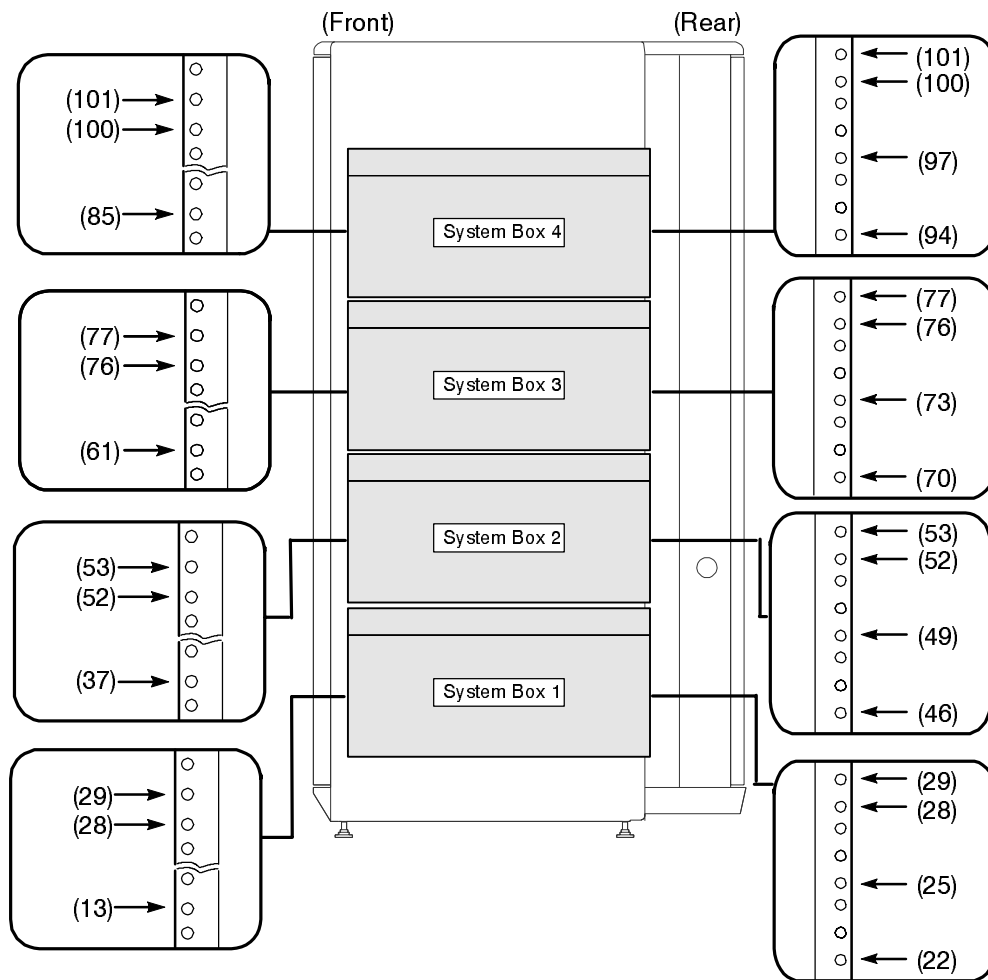


**REAR VIEW**

**AlphaServer 800 w/RAID Array 7000  
CABLING CONFIGURATION**

IP-H9A15-3-37B

*Figure 6. AlphaServer 800 Configurations (Sheet 22 of 22)*



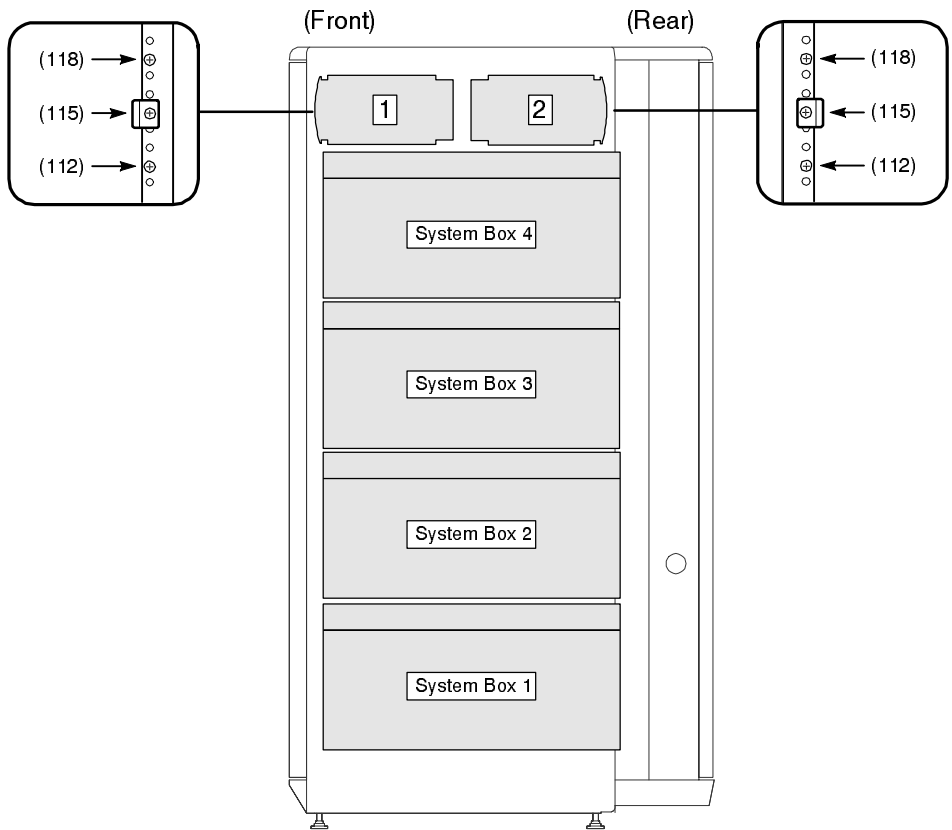
**AlphaServer ES40 SYSTEM BOX MOUNTING LOCATIONS**

IP-H9A15-3-38

**Figure 7. AlphaServer ES40 Configurations (Sheet 1 of 5)**



**NOTE: RECOMMEND THAT STORAGE SHELVES WITH TAPE OPTIONS BE MOUNTED IN FRONT OF THE CAB, IF SPACE IS AVAILABLE.**



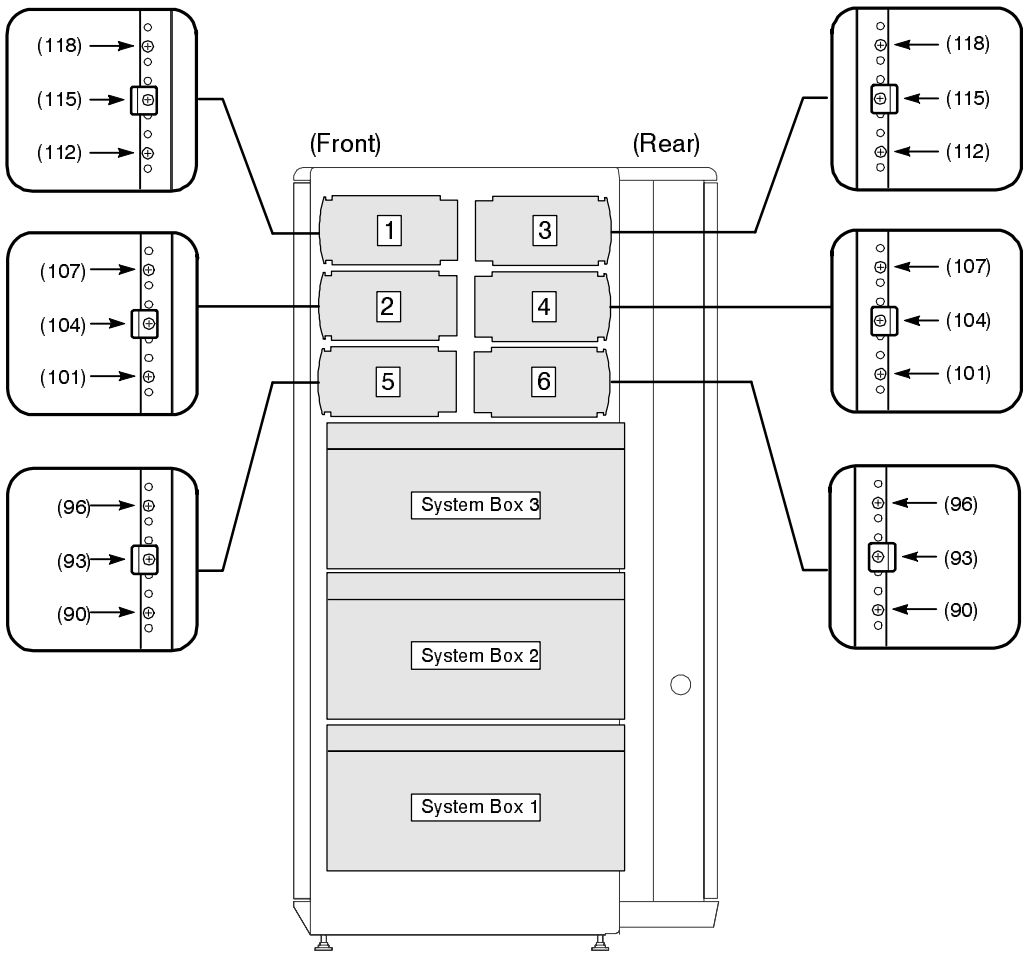
**AlphaServer ES40 STORAGE SHELF MOUNTING LOCATIONS**

**USING BA35X-RB MOUNTING KIT  
FOR BA35X-RK MOUNTING KIT, SEE PAGE 28**

IP-H9A15-3-39

**Figure 7. AlphaServer ES40 Configurations (Sheet 2 of 5)**

**NOTE: RECOMMEND THAT STORAGE SHELVES WITH TAPE OPTIONS BE MOUNTED IN FRONT OF THE CAB, IF SPACE IS AVAILABLE.**



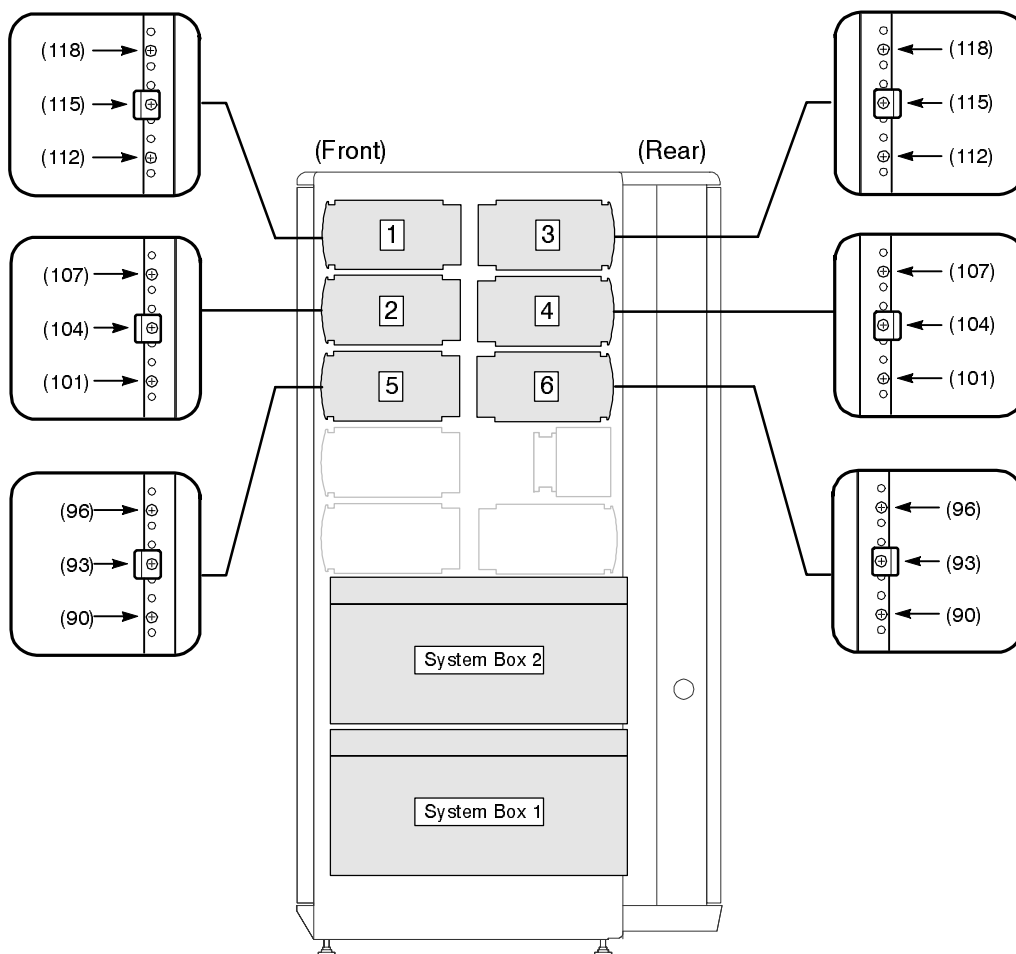
**AlphaServer ES40 STORAGE SHELF MOUNTING LOCATIONS**

**USING BA35X-RB MOUNTING KIT  
FOR BA35X-RK MOUNTING KIT, SEE PAGE 28**

IP-H9A15-3-39

**Figure 7. AlphaServer ES40 Configurations (Sheet 3 of 5)**

**NOTE: RECOMMEND THAT STORAGE SHELVES WITH TAPE OPTIONS BE MOUNTED IN FRONT OF THE CAB, IF SPACE IS AVAILABLE.**

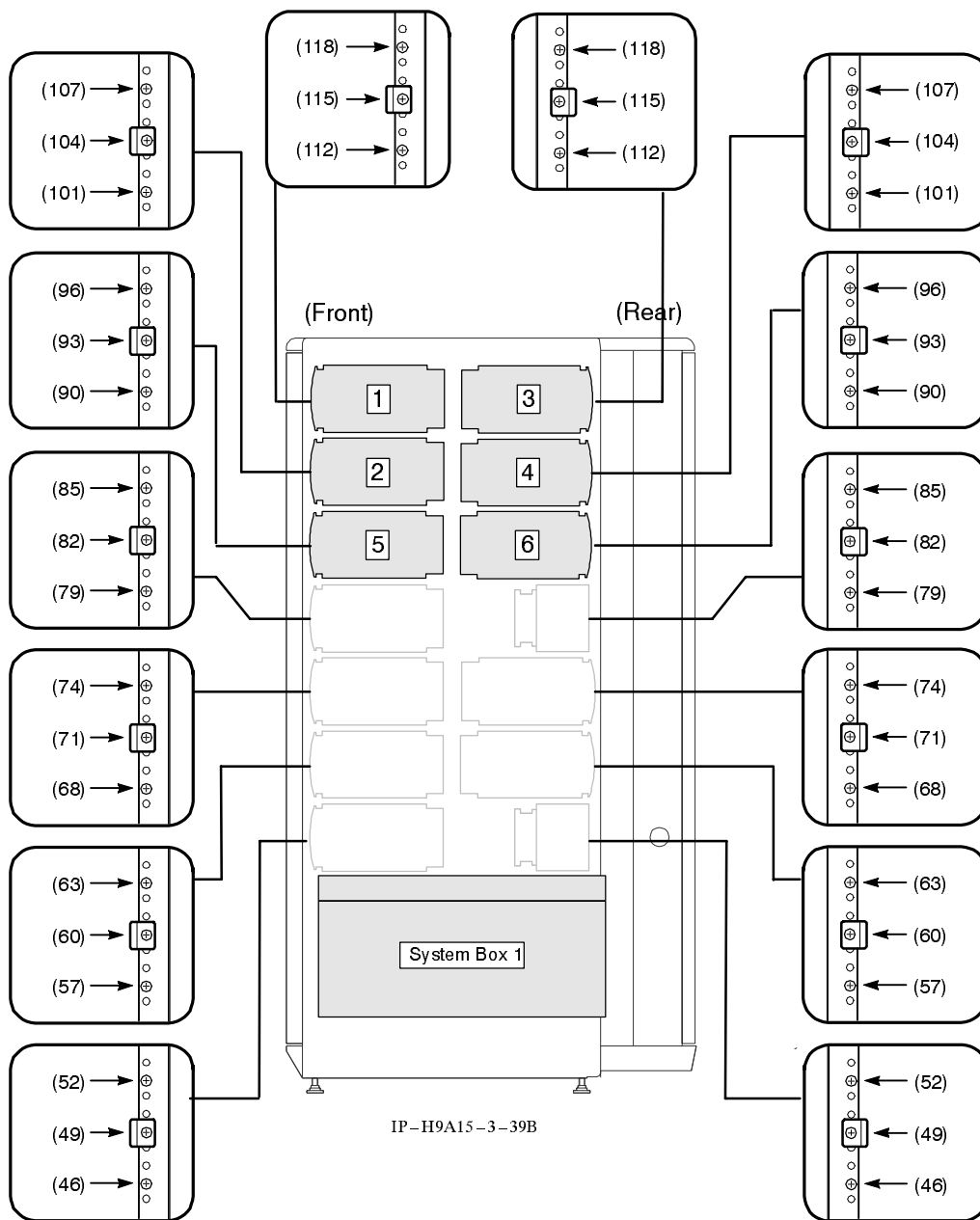


**AlphaServer ES40 STORAGE SHELF MOUNTING LOCATIONS**

**USING BA35X-RB MOUNTING KIT  
FOR BA35X-RK MOUNTING KIT, SEE PAGE 28**

IP-H9A15-3-39A

**Figure 7. AlphaServer ES40 Configurations (Sheet 4 of 5)**



**AlphaServer ES40 STORAGE SHELF MOUNTING LOCATIONS**  
**USING BA35X-RB MOUNTING KIT** IP-H9A15-3-39B  
**FOR BA35X-RK MOUNTING KIT, SEE PAGE 28**

**Figure 7. AlphaServer ES40 Configurations (Sheet 5 of 5)**

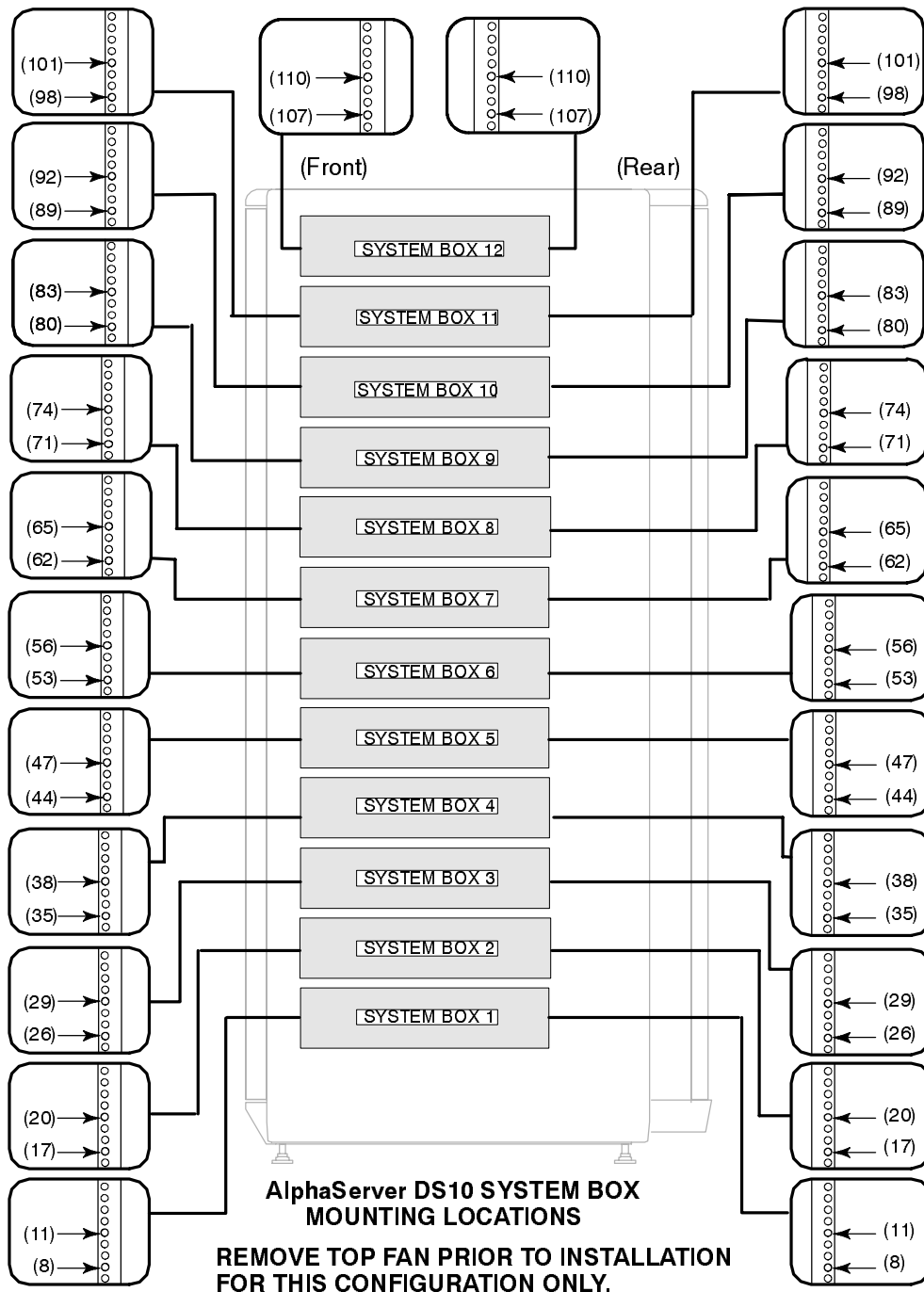
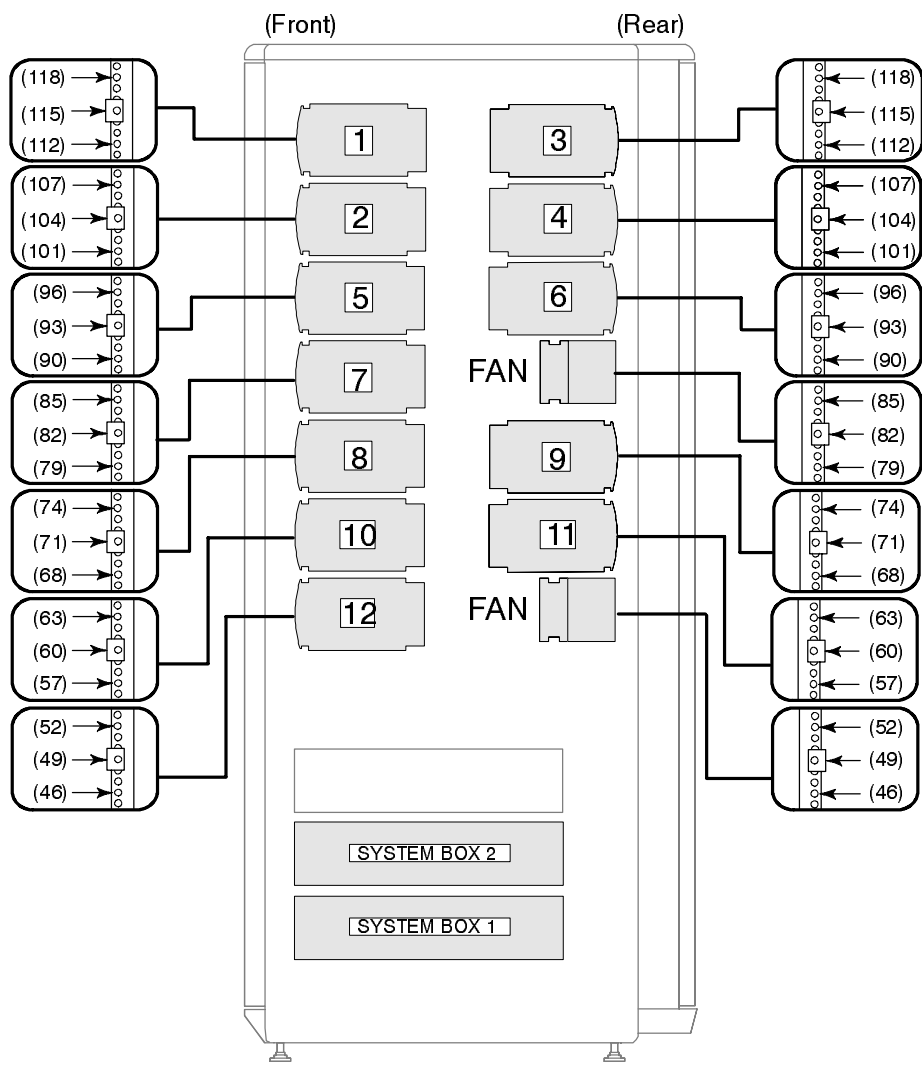


Figure 8. AlphaServer DS10 Configurations (Sheet 1 of 2)

**NOTE: RECOMMEND THAT STORAGE SHELVES WITH TAPE OPTIONS BE MOUNTED IN FRONT OF THE CAB, IF SPACE IS AVAILABLE.**



**AlphaServer DS10 STORAGE SHELF MOUNTING LOCATIONS  
USING BA35X-RB MOUNTING KIT  
FOR BA35X-RK MOUNTING KIT, SEE PAGE 28**

IP-H9A15-3-41

**Figure 8. AlphaServer DS10 Configurations (Sheet 2 of 2)**

**PART NUMBER/DESCRIPTION INDEX**







## INDEX BY DIGITAL PART NUMBER

H9A15 M-Series Cabinet

PART NUMBER	DESCRIPTION	FIG.-ITEM NUMBER
12-24023-01	Cable Assembly w/Wrist Strap	2-8
17-00083-04	Power Cord, 250V (108 Inch)	1-N/A
17-00083-05	Power Cord, 125V (108 Inch)	1-N/A
17-00083-09	Power Cord, 125V (75 Inch)	1-N/A
17-00083-10	Power Cord, 125V (75 Inch)	1-N/A
17-00365-01	Cable Assembly, Jumper, 10 Ft. (Not Shown)	1-8
17-00606-02	Power Cord, 125V (75 Inch)	1-N/A
17-00606-04	Power Cord, 125V (120 Inch)	1-7, 1-N/A
17-04937-02	Power Cord, Dentori 125V (4.5M)	1-N/A
2T-BA370-AR	RAID Array 7000 (Rear Mount)	1-N/A
2T-BA370-AS	RAID Array 7000 (w/Front Slide Kit)	1-N/A
2T-BA370-FI	BA370 Field Installation Kit	3-N/A
2T-MAVRK-AA	Memory Channel 2 Rack Mount Kit	1-N/A
2T-IN TLK-27	H7600 Interlock Kit (H9A15) (Not Shown)	2-2
2T-R1200-AA	AlphaServer 1200 Rack Mount Kit (Gray) (See Page 10 for Power Cords)	1-N/A
2T-R1200-AB	AlphaServer 1200 Rack Mount Kit (Blue) (See Page 10 for Power Cords)	1-N/A
2T-SW8XF-ER	Flushing Fan Kits (Rear) (240V)	1-N/A
2T-SW8XF-SR	Flushing Fan Kits (Rear) (120V)	1-N/A
3X-H7601-AA	Power Strip Assembly (120V)	1-N/A
3X-H7601-AB	Power Strip Assembly (240V)	1-N/A
3X-PBX01-AB	AlphaServer DS10 Rack Mount Kit (See Page 10 for Power Cords)	1-N/A
36-13209-02	Label, "Electrical Data", Adhesive Backed	2-3
36-18384-01	Label, "Caution Stabilizer Foot"	2-5
36-22516-02	Label, "Warning High Leakage Current"	1-10
36-41348-88	Label, "Regulatory" (U.S.)	1-9
36-41348-91	Label, "Regulatory" (U.K.)	1-9
36-41348-92	Label, "Regulatory" (Singapore)	1-9
36-46657-01	Label, "Caution 2 Power Cord Multi-Language Service Information"	2-10
37-05062-01	Package Assembly (Not Shown)	2-6
70-32032-01	Fan Tray, Cabinet	1-15
70-33671-01	Cabinet Assembly, H9A15, EIA, Gray	2-1
70-33671-02	Cabinet Assembly, H9A15, EIA, Blue	2-1
70-33710-01	Bezel Assembly, Front , Gray	1-3
70-33710-02	Bezel Assembly, Front, Blue	1-3
74-53301-01	Bracket, H7600	1-16
74-53317-01	Bracket, Front Bezel, Right Hand	1-4
74-53317-02	Bracket, Front Bezel, Left Hand	1-4
90-00063-39	Screw, Truss Hd 10-32 x 1/2	1-11
90-07786-01	Nut, U-Nut 10-32	1-12, 2-4
90-09228-10	Screw, Sems Pan Hd 10-32 x 3/8	2-9
90-11195-01	Fastener, Clip On	1-14
90-40148-02	Nut, Kep M5	1-13

## INDEX BY DIGITAL PART NUMBER

### H9A15 M-Series Cabinet

PART NUMBER	DESCRIPTION	FIG.-ITEM NUMBER
BA61R-RM	AlphaServer ES40 Rack Mount Kit (See Page 11 for Power Cords)	1-N/A
CCMRA-AA	Memory Channel Rack Mount Kit	1-N/A
CK-BA30A-BA	AlphaServer 4000/4100 Rack Mount Kit (U.S. and Asia Pacific) (See Page 10 for Power Cords)	1-N/A
CK-BA30A-BB	AlphaServer 4000/4100 Rack Mount Kit (Europe) (See Page 10 for Power Cords)	1-N/A
DS-SWXRA-GH	RAID Array 3000 (120V)	1-N/A
DS-SWXRA-GK	RAID Array 3000 (230V)	1-N/A
DS-TL891-NE	DLT MiniLibrary Base Module (Blue)	1-N/A
DS-TL891-NG	DLT MiniLibrary Base Module (Gray)	1-N/A
EK-H7601-IP	Documentation, M-Series Power Strip Kit IPB	3-N/A
EK-H9A15-IN	Documentation, H9A15 Cabinet Installation (Not Shown)	2-7
EK-MARGE-CN	Documentation, H9A10/H9A15 Cabinet Service Access Advisory (Not Shown)	1-6
H3400-AA	Blank Bezel Installation Kit (Gray)	1-N/A
H3400-AB	Blank Bezel Installation Kit (Blue)	1-N/A
H7600-AA	Power Controller Strip (100-120V)	1-5
H7600-DB	Power Distribution Unit (200-240V)	1-5
H9A15-MA	CABINET ASSEMBLY, 2.0M, GRAY (120V)	1-A
H9A15-MB	CABINET ASSEMBLY, 2.0M, GRAY (240V)	1-B
H9A15-MC	CABINET ASSEMBLY, 2.0M, BLUE (120V)	1-C
H9A15-MD	CABINET ASSEMBLY, 2.0M, BLUE (240V)	1-D
H9A15-NA	CABINET, REAR DOOR, GRAY	1-1, 2-A
H9A15-TA	CABINET, REAR DOOR, BLUE	1-2, 2-B
H9C10-MC	Ballast Kit	1-N/A
H9C15-JD	Joiner Kit	1-N/A
H9C15-NE	Extender Kit, Cabinet Rear (Gray)	1-N/A
H9C15-NF	Front Door Kit (Gray)	1-N/A
H9C15-NT	Front Trim Kit (Gray)	1-N/A
H9C15-TE	Extender Kit, Cabinet Rear (Blue)	1-N/A
H9C15-TF	Front Door Kit (Blue)	1-N/A
H9C15-TT	Front Trim Kit (Blue)	1-N/A
PB8HA-BA	AlphaServer 800 Rack Mount Kit (See Page 10 for Power Cords)	1-N/A

**INDEX BY DIGITAL PART DESCRIPTION**  
**H9A15 M-Series Cabinet**

DESCRIPTION	PART NUMBER	FIG.-ITEM NUMBER
AlphaServer 1200 Rack Mount Kit (Blue)	2T-R1200-AB	1-N/A
AlphaServer 1200 Rack Mount Kit (Gray)	2T-R1200-AA	1-N/A
AlphaServer 800 Rack Mount Kit	PB8HA-BA	1-N/A
AlphaServer 4000/4100 Rack Mount Kit (Europe)	CK-BA30A-BB	1-N/A
AlphaServer 4000/4100 Rack Mount Kit (U.S. & Asia Pacific)	CK-BA30A-BA	1-N/A
AlphaServer DS10 Rack Mount Kit (See Page 10 for Power Cords for above kits.)	3X-PBX01-AB	1-N/A
AlphaServer ES40 Rack Mount Kit (See Page 11 for Power Cords.)	BA61R-RM	1-N/A
BA370 Field Installation Kit	2T-BA370-FI	3-N/A
Ballast Kit	H9C10-MC	1-N/A
Bezel Assembly, Front , Gray	70-33710-01	1-3
Bezel Assembly, Front, Blue	70-33710-02	1-3
Blank Bezel Installation Kit (Gray)	H3400-AA	1-N/A
Blank Bezel Installation Kit (Blue)	H3400-AB	1-N/A
Bracket, Front Bezel, Left Hand	74-53317-02	1-4
Bracket, Front Bezel, Right Hand	74-53317-01	1-4
Bracket, H7600	74-53301-01	1-16
CABINET ASSEMBLY, 2.0M, BLUE (120V)	H9A15-MC	1-C
CABINET ASSEMBLY, 2.0M, BLUE (240V)	H9A15-MD	1-D
CABINET ASSEMBLY, 2.0M, GRAY (120V)	H9A15-MA	1-A
CABINET ASSEMBLY, 2.0M, GRAY (240V)	H9A15-MB	1-B
Cabinet Assembly, H9A15, EIA, Blue	70-33671-02	2-1
Cabinet Assembly, H9A15, EIA, Gray	70-33671-01	2-1
Cable Assembly w/Wrist Strap	12-24023-01	2-8
Cable Assembly, Jumper, 10 Ft. (Not Shown)	17-00365-01	1-8
CABINET, REAR DOOR, BLUE	H9A15-TA	1-2, 2-B
CABINET, REAR DOOR, GRAY	H9A15-NA	1-1, 2-A
DLT MiniLibrary Base Module (Blue)	DS-TL891-NE	1-N/A
DLT MiniLibrary Base Module (Gray)	DS-TL891-NG	1-N/A
Documentation, H9A15 Cabinet Installation (Not Shown)	EK-H9A15-IN	2-7
Documentation, H9A10/H9A15 Cabinet Service Access Advisory (Not Shown)	EK-MARQE-CN	1-6
Documentation, M-Series Power Strip Kit IPB (Not Shown)	EK-H7601-IP	3-N/A
Extender Kit, Cabinet Rear (Blue)	H9C15-TE	1-N/A
Extender Kit, Cabinet Rear (Gray)	H9C15-NE	1-N/A
Fan Tray, Cabinet	70-32032-01	1-15
Fastener, Clip On	90-11195-01	1-14
Flushing Fan Kits (Rear) (120V)	2T-SW8XF-SR	1-N/A
Flushing Fan Kits (Rear) (240V)	2T-SW8XF-ER	1-N/A
Front Door Kit (Blue)	H9C15-TF	1-N/A
Front Door Kit (Gray)	H9C15-NF	1-NA
Front Trim Kit (Blue)	H9C15-TT	1-N/A
Front Trim Kit (Gray)	H9C15-NT	1-N/A
H7600 Interlock Kit (H9A15) (Not Shown)	2T-INTLK-27	2-2
Joiner Kit	H9C15-JD	1-N/A

## INDEX BY DIGITAL PART DESCRIPTION

### H9A15 M-Series Cabinet

DESCRIPTION	PART NUMBER	FIG.-ITEM NUMBER
Label, "Caution Stabilizer Foot"	36-18384-01	2-5
Label, "Electrical Data", Adhesive Backed	36-13209-02	2-3
Label, "Regulatory" (Singapore)	36-41348-92	1-9
Label, "Regulatory" (U.K.)	36-41348-91	1-9
Label, "Regulatory" (U.S.)	36-41348-88	1-9
Label, "Warning High Leakage Current"	36-22516-02	1-10
Label, "Caution 2 Power Cord Multi-Language Service Info"	36-46657-01	2-10
Memory Channel Rack Mount Kit	CCMRA-AA	1-N/A
Memory Channel 2 Rack Mount Kit	2T-MAVRK-AA	1-N/A
Nut, Kep M5	90-40148-02	1-13
Nut, U-Nut 10-32	90-07786-01	1-12, 2-4
Package Assembly (Not Shown)	37-05062-01	2-6
Power Controller Strip (100-120V)	H7600-AA	1-5
Power Cord 125V (Not Shown)	17-00606-04	1-7
Power Cord, 125V (108 Inch)	17-00083-05	1-N/A
Power Cord, 125V (120 Inch)	17-00606-04	1-N/A
Power Cord, 125V (75 Inch)	17-00083-09	1-N/A
Power Cord, 125V (75 Inch)	17-00083-10	1-N/A
Power Cord, 125V (75 Inch)	17-00606-02	1-N/A
Power Cord, 250V (108 Inch)	17-00083-04	1-N/A
Power Cord, Dentori 125V (4.5M)	17-04937-02	1-N/A
Power Distribution Unit (200-240V)	H7600-DB	1-5
Power Strip Assembly (120V)	3X-H7601-AA	1-N/A
Power Strip Assembly (240V)	3X-H7601-AB	1-N/A
RAID Array 3000 (120V)	DS-SWXRA-GH	1-N/A
RAID Array 3000 (230V)	DS-SWXRA-GK	1-N/A
RAID Array 7000 (Rear Mount)	2T-BA370-AR	1-N/A
RAID Array 7000 (w/Front Slide Kit)	2T-BA370-AS	1-N/A
Screw, Sems Pan Hd 10-32 x 3/8	90-09228-10	2-9
Screw, Truss Hd 10-32 x 1/2	90-00063-39	1-11