

**DIGITAL Server 7000**  

---

**Illustrated Parts Breakdown**

Order Number: ER-K9FWW-IP A01

**Digital Equipment Corporation**  
**Maynard, Massachusetts**

Digital Equipment Corporation reserves the right, without notice, to make substitutions and modifications in the specifications of products documented in this manual and further reserves the right to withdraw any of these products from the market without notice.

Digital Equipment Corporation is not responsible for errors which may appear in the technical description (including illustrations and photographs) of the products covered by this manual.

None of the descriptions contained in this manual imply the granting of any license whatsoever to make, use or sell equipment constructed in accordance therewith.

Restricted Rights: Use, duplication or disclosure by the U.S. Government is subject to restrictions as set forth in subparagraph (c) (1) (ii) of the Rights in Technical Data and Computer Software clause at DFARS 252.227-2713.

Copyright ©1998 by Digital Equipment Corporation. All rights reserved.  
Printed in U.S.A.

The following are trademarks of Digital Equipment Corporation :  
AlphaGeneration, AlphaServer, DIGITAL, Open VMS, ThinWire and the DIGITAL logo.

The following are third party trademarks:

IBM is a registered trademark of International Business Machines, Inc.

Microsoft and Windows NT are registered trademarks of Microsoft Corporation.

UNIX is a registered trademark in the United States and other countries, licensed exclusively through X/Open Company Ltd.

#### **Reader's Comments**

DIGITAL welcomes your comments on this manual.  
You can send your comments to DIGITAL at the address below:

Digital Equipment Corporation  
Servers Engineering and Technical Services  
129 Parker Street  
PKO3-2/T32  
Maynard, MA 01754-2199

Please reference ER-K9FWW-IP A01 in your correspondence.

# ILLUSTRATED PARTS BREAKDOWN

## DIGITAL Server 7000

### ILLUSTRATED PARTS BREAKDOWN (IPB)

The IPB is used to identify a part and its location in a hardware product. The document references specific item numbers in the associated parts list.

#### HOW TO USE THE IPB

1. Locate the figure containing the item of interest.
2. Locate the number (callout) of the item of interest.
3. Locate that item number in the associated parts list.

#### FORMAT

Each IPB is generally organized based on its first figure. All other assemblies and subassemblies are referenced from this figure. Each figure contains numeric callouts of all major parts (items).

#### PARTS LIST

Each parts list contains the following:

**Figure and Item No.** — Lists the figure number and its referenced numeric callout

**Description** — Presents the name and a brief description of the item. A single asterisk (\*) preceding the description denotes item is a

subassembly to its referenced figure. A double asterisk (\*\*) preceding the description indicates that this item is subordinate to the preceding single asterisk item.

**Digital Part No.** — Lists the DIGITAL/Vendor part number. The letter in the column heading indicates the current revision level of the Engineering Drawing for the referenced figure.

**ECO Cut-In** — Lists the top assembly drawing number and revision level at first printing. All additional revisions to an item are listed in this column.

**Used On Code** — Lists letters referring to the product variation assigned in Figure 1. When this column is blank, the item is used in all variations.

**Ref Fig No.** — Lists a cross reference between figures within the IPB.

#### PART NUMBER/PART DESCRIPTION INDEX SECTION

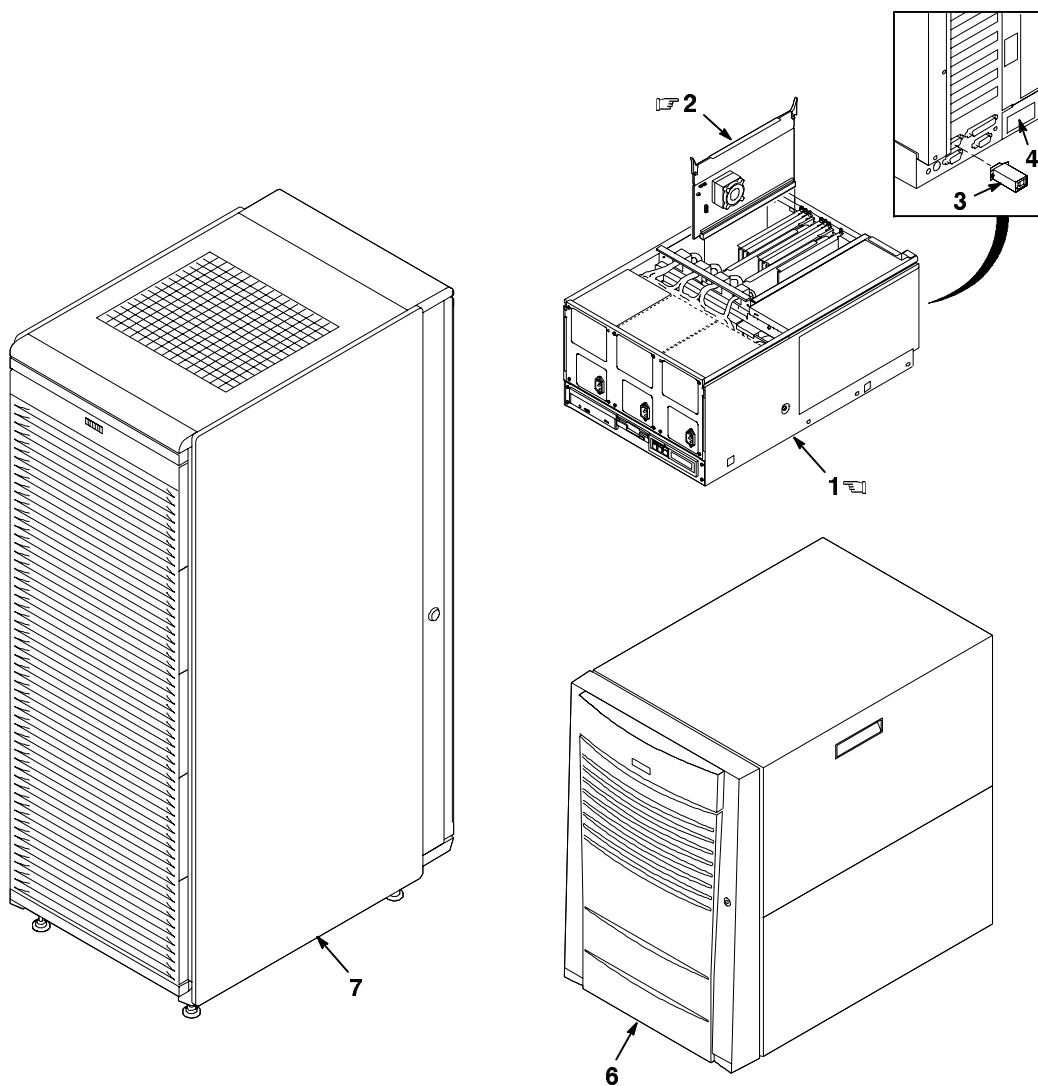
Lists items by part number numerically, and description alphabetically. Items are also referenced to a location within the IPB by figure and item number.

ECO/REVISION HISTORY					OTHER IPB MANUALS REFERENCED
FIGURE NO.	ASSEMBLY	INITIAL LEVEL	CURRENT LEVEL	PRINTING DATE	
1	PD03A	00000	00000	FEB 98	N/A
2	PD03X	00000	00000		
3	BA30P	00007	00007		
4	H9A10-4	00001	00001		



  INDICATES FRU LEVEL PARTS.

PARTS LIST 



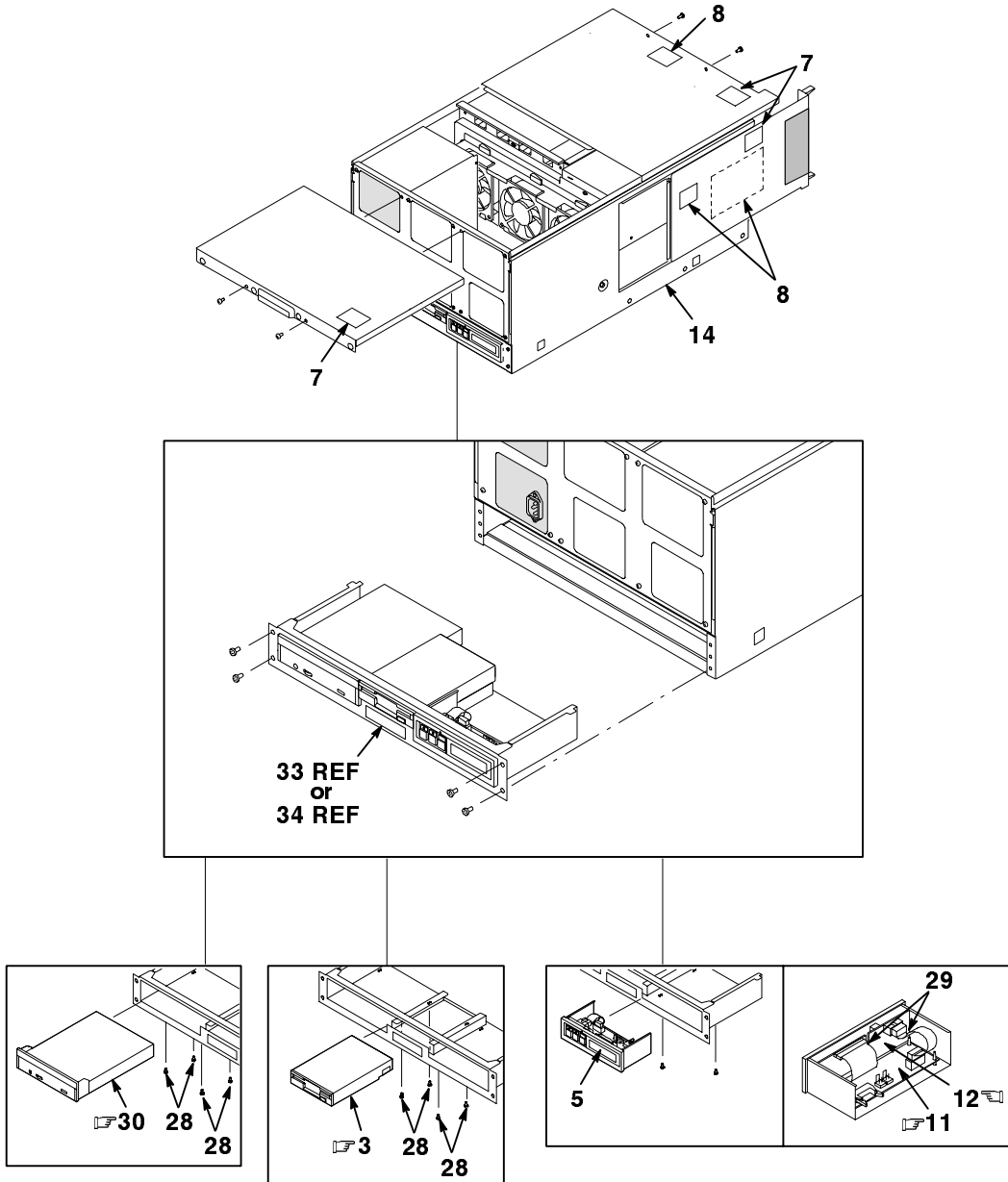
IP-PD03A-01

**Figure 1. Kernel Assembly**

FIG.& ITEM NO.	DESCRIPTION	DIGITAL PART NO. <sup>A</sup>	ECO CUT-IN PD03A 00000	USED ON CODE	REF FIG NO.
1- A	DIGITAL Server 7000 5/400 KERNEL ASSEMBLY	PD03A-A9		A	
B	DIGITAL Server 7000 5/533 KERNEL ASSEMBLY	PD03A-B9		B	
1	*BTS KERNEL ASSEMBLY	PD03X-A9			2
☞ 2	*Module, CPU EV5.6, 4 MB (400 MHz) (NT Only)	B3105-AA		A	
☞ 2	*Module, CPU EV5.6, 4 MB (533 MHz) (NT Only)	B3105-CA		B	
3	*Adapter, DECstation 2000, 9-Pin Serial	H8571-J			
4	*Label, Regulatory, Blank	36-47685-01			
5	*Package Assembly (Not Shown)	37-01522-02			
6	PEDESTAL ASSEMBLY, BA30P (120V)	BA30P-EA			3
	PEDESTAL ASSEMBLY, BA30P (230V)	BA30P-FA			3
7	CABINET ASSEMBLY, 1.7M x 600 MM (RETMA) (U.S./Japan) (120V)	H9A10-EN			4
	CABINET ASSEMBLY, 1.7M x 600 MM (RETMA) (U.S./Japan) (240V)	H9A10-EP			4
	Items 6 and 7 Are Not Part Of This Assembly and Are Shown For Reference Only.				

INDICATES FRU LEVEL PARTS.

PARTS LIST

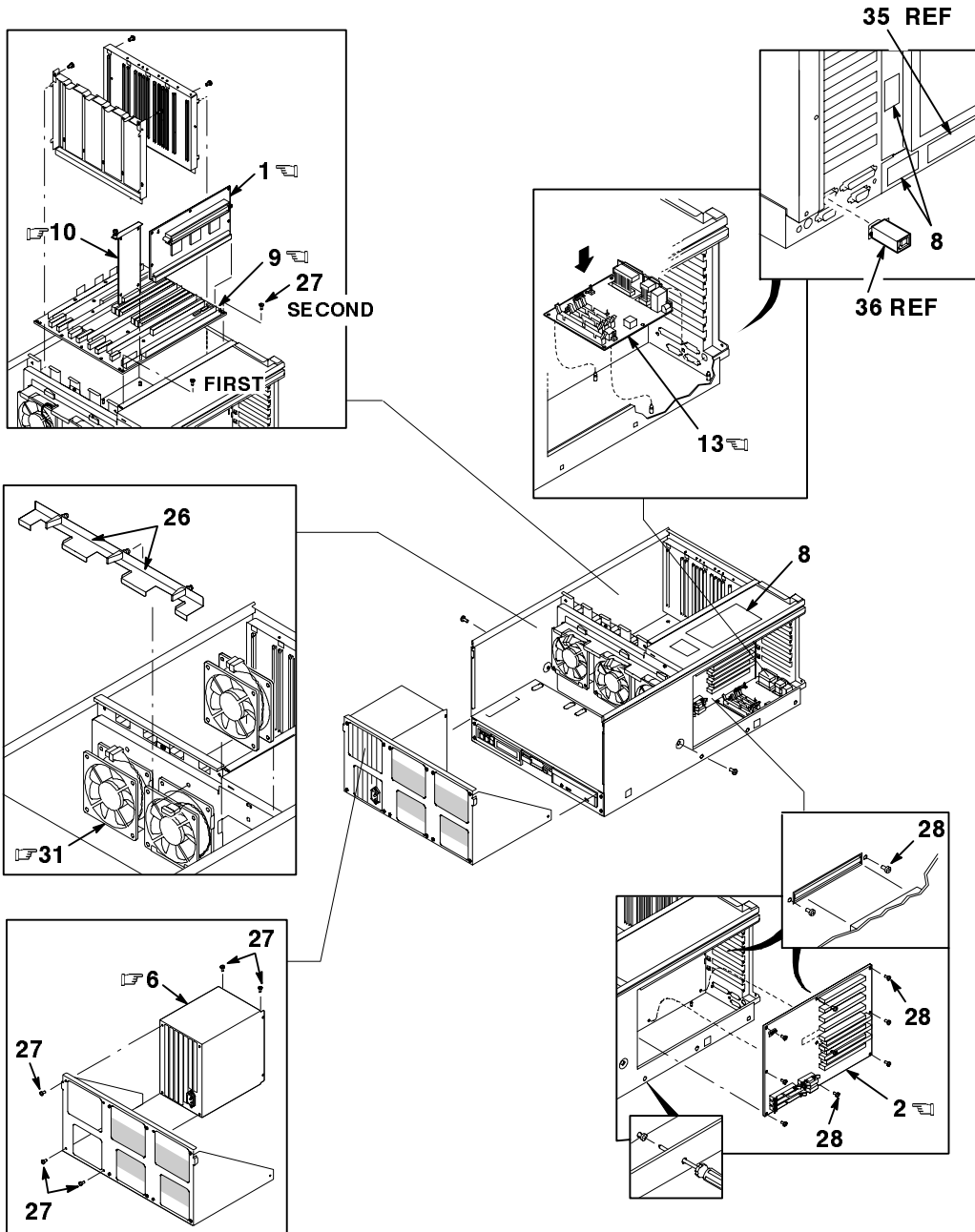


IP-PD03X-01

Figure 2. BTS Kernel Assembly (Sheet 1 of 4)

INDICATES FRU LEVEL PARTS.

PARTS LIST



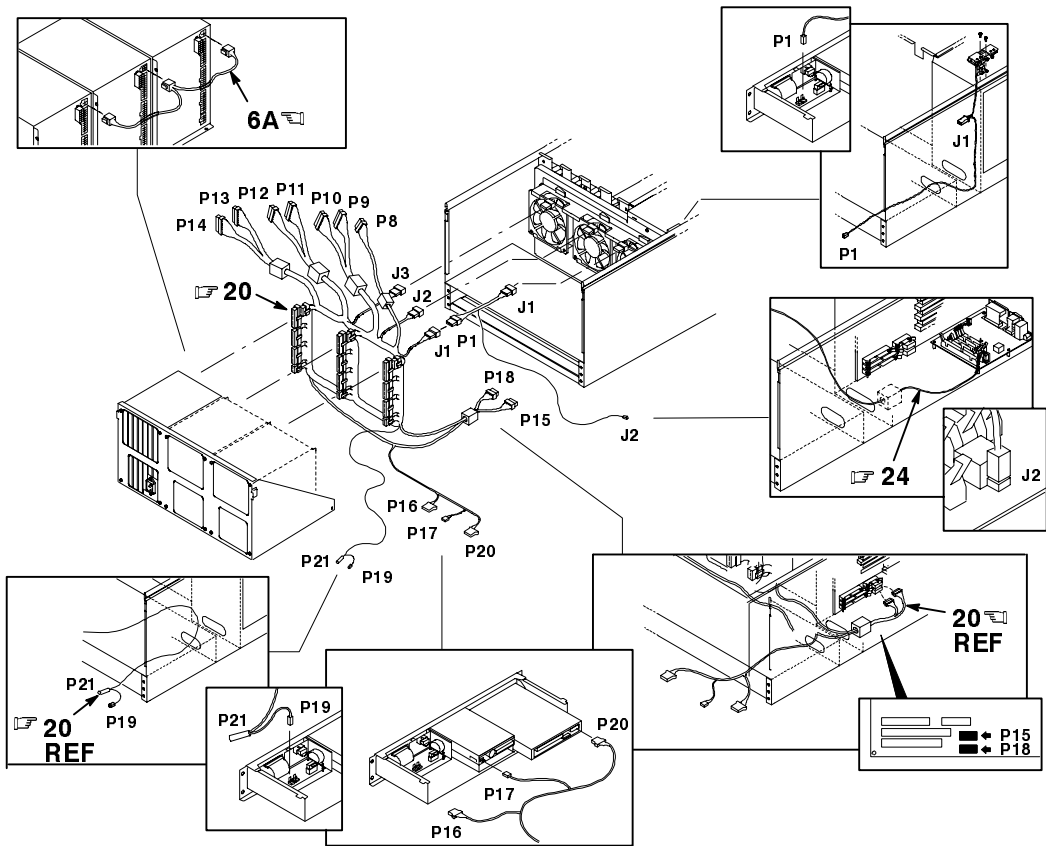
IP-PD03X-02

Figure 2. BTS Kernel Assembly (Sheet 2 of 4)



INDICATES FRU LEVEL PARTS.

PARTS LIST 

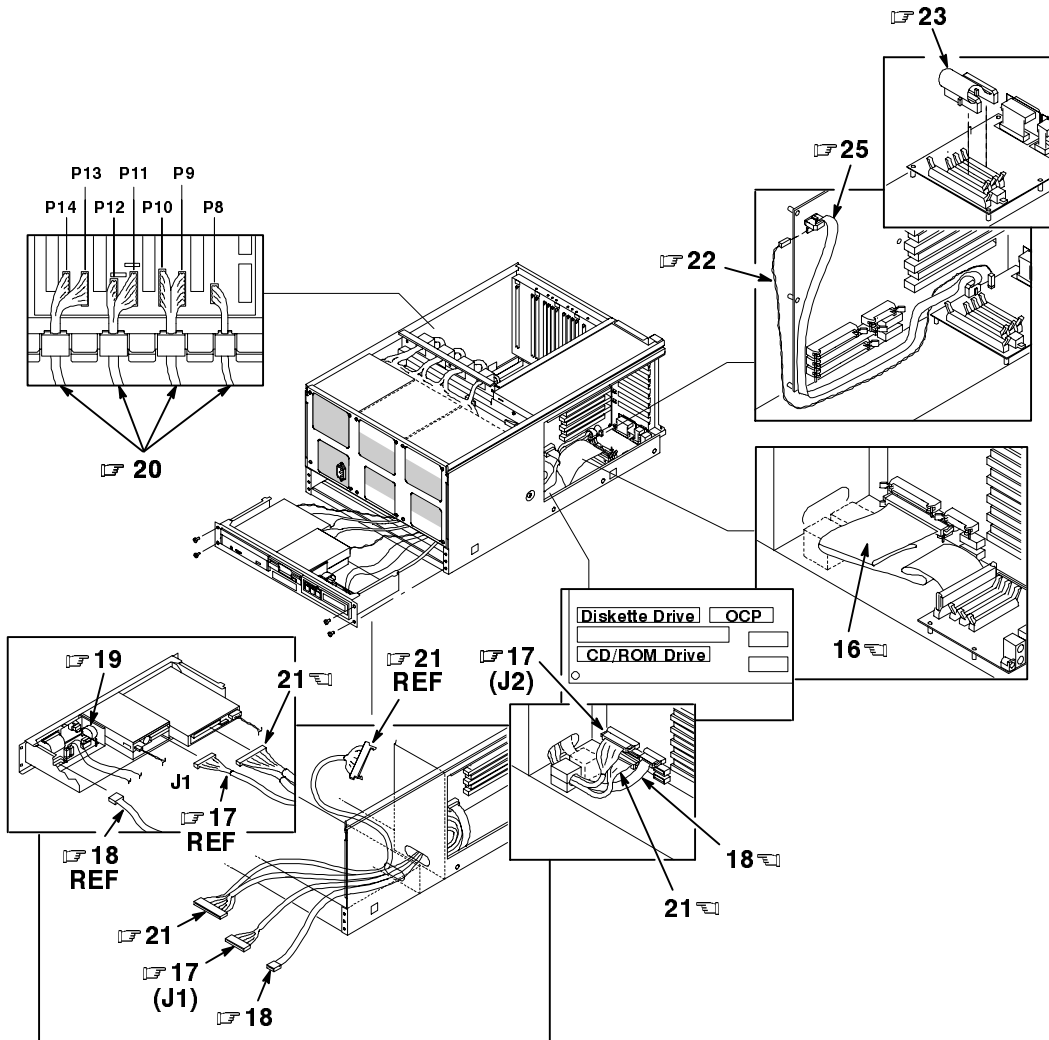


IP-PD03X-03

Figure 2. BTS Kernel Assembly (Sheet 3 of 4)

☞ ☞ INDICATES FRU LEVEL PARTS.

PARTS LIST 



IP-PD03X-04

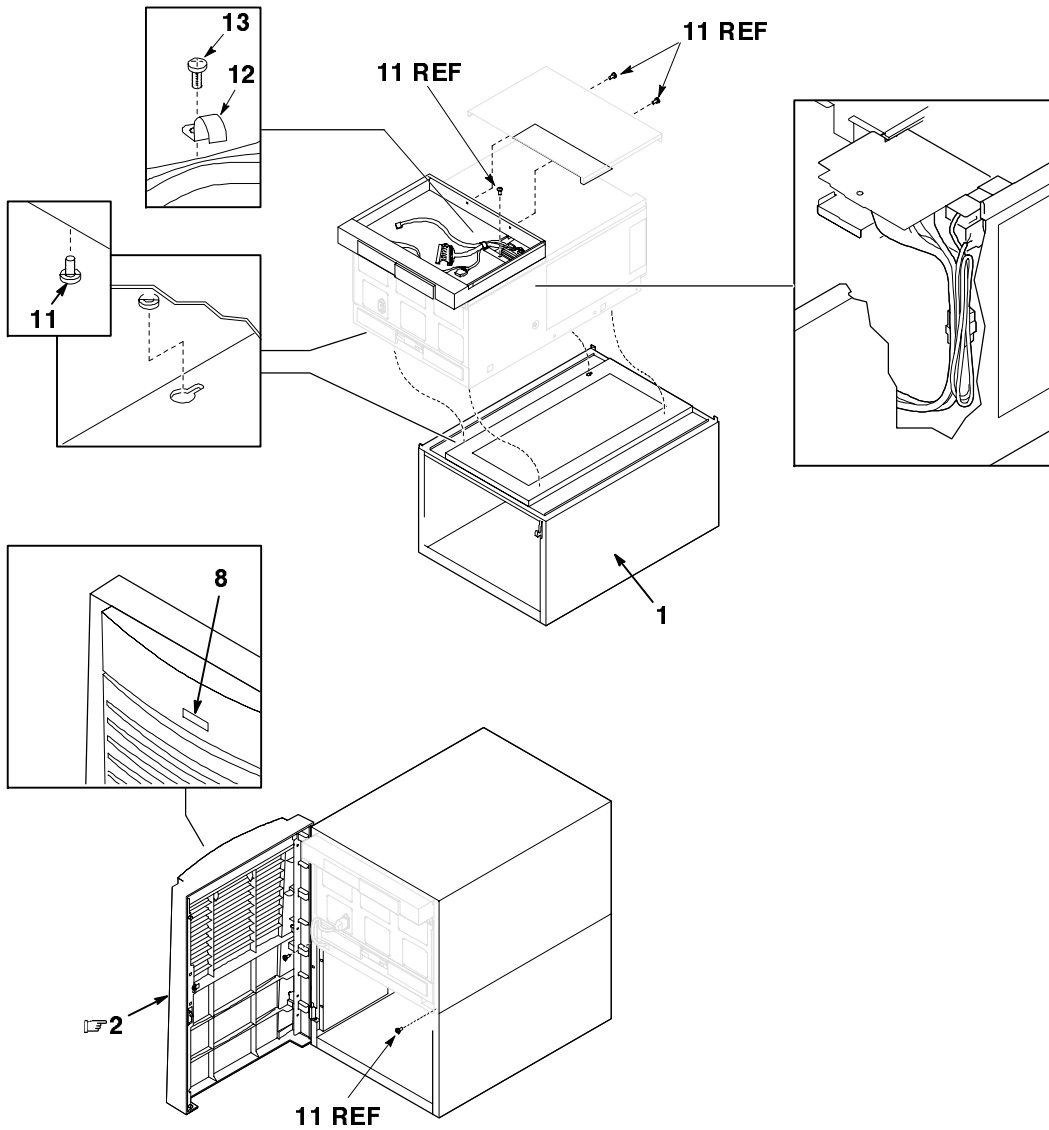
Figure 2. BTS Kernel Assembly (Sheet 4 of 4)

FIG. & ITEM NO.	DESCRIPTION	DIGITAL PART NO. <sup>A</sup>	ECO CUT-IN PD03X 0000	USED ON CODE	REF FIG NO.
2-	BTS KERNEL ASSEMBLY	PD03X-A9			1
☞ 1	*Module, MC Bus to PCI Bus Bridge	B3040-AA			
☞ 2	*Module, I/O Bus	B3052-AA			
☞ 3	*Floppy Drive, (1.44 MB)	RX23L-AB			
☞ 4	*Cable, Power Cord (Not Shown)	17-04285-02			
5	*LCD LED Backlite	30-43049-01			
☞ 6	*Power Supply 92-264V	30-44712-01			
☞6A	**Cable, Current Share	17-04199-01			
7	*Label, Caution/Disconnect Icon	36-41956-01			
8	*Label, I/O Memory Slot Numbers	36-46176-01			
☞ 9	*Module, IIP System	54-23803-01			
☞10	*Module, Power Control	54-24117-01			
☞11	*Module, OCP Logic	54-24364-01			
☞12	*Module, OCP Switch	54-24366-01			
☞13	*Module, Server Control	54-24674-01			
14	*CHASSIS ASSEMBLY	70-31961-01			
15	**KIT, CABLE ASSEMBLY (Not Shown)	22-13569-01			
☞16	***Cable, RIO	17-04196-01			
☞17	***Cable, Floppy Signal, 34 Pos.	17-04200-01			
☞18	***Cable, OCP to Saddle, 10 Pos. (800 mm)	17-04201-01			
☞19	***Cable, OCP Switch Board	17-04201-02			
☞20	***Cable, Power Harness	17-04217-01			
☞21	***Cable, SCSI CD-ROM to Bulkhead	17-04292-01			
☞22	***Cable, SCM (Jumper, 12V)	17-04349-01			
☞23	***Cable, SCM (34 Pos. Jumper)	17-04350-01			
☞24	***Cable, SCM (Power Jumper, 12V)	17-04351-01			
☞25	***Cable, SCM (16 Pos. Jumper)	17-04363-01			
26	*Clamp, Cable (Adhesive Mount)	90-09636-00			
27	*Screw, Sems M4 Pan 8 mm	90-09984-19			
28	*Screw, Sems M3 Pan 6 mm	90-09984-20			
29	*Tie, Cable	90-11096-01			
☞30	*CD-ROM (12X)	RRD46-AB			
☞31	*Fan (4 1/2 Inch)	12-23609-21			
32	*Label, B3052 Installed (Not Shown) (Use Only With Item 2)	36-49334-01			
33	Label, DIGITAL Server 7000 Enclosure Logo	36-45161-04			
34	Label, DIGITAL Server 7000R Enclosure Logo	36-45161-05			
35	Label, Regulatory, Blank	36-47685-01			
36	Adapter, DECstation 2000, 9-Pin Serial	H8571-J			
	Items 33 Thru 36 Are Not Part Of This Assembly and Are Shown For Reference Only.				



  INDICATES FRU LEVEL PARTS.

PARTS LIST 

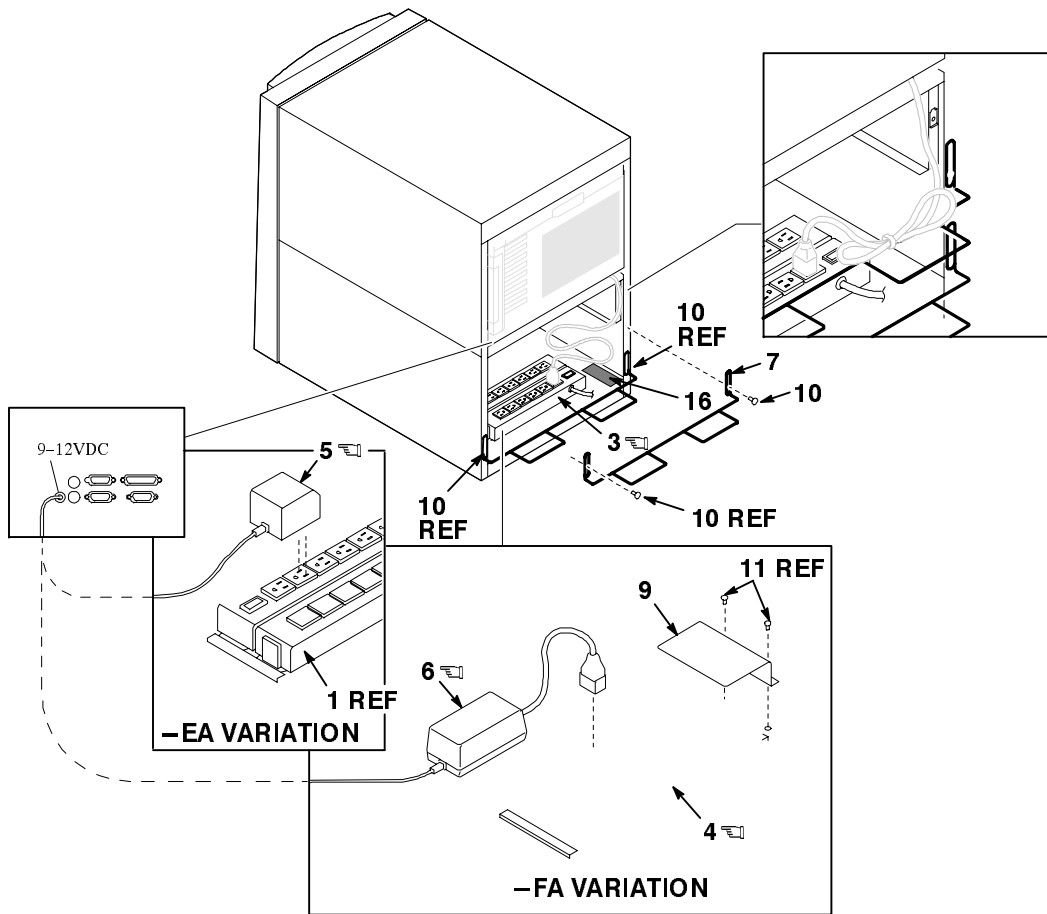


IP-BA30P-01

**Figure 3. Pedestal Assembly, BA30P (Sheet 1 of 2)**

✎ ✎ INDICATES FRU LEVEL PARTS.

PARTS LIST 



IP-BA30P-02

Figure 3. Pedestal Assembly, BA30P (Sheet 2 of 2)

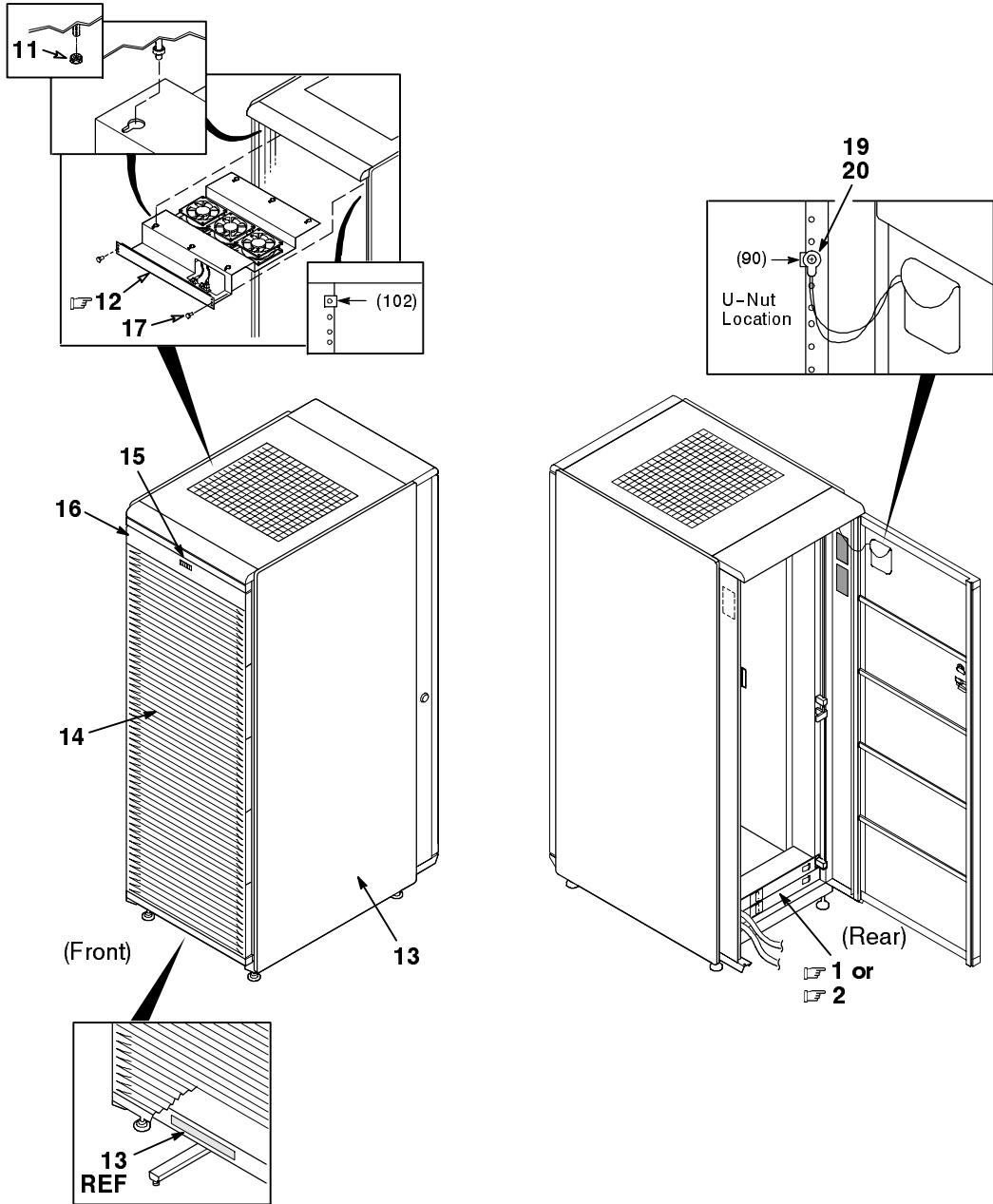
FIG.& ITEM NO.	DESCRIPTION	DIGITAL PART NO. <sup>H</sup>	ECO CUT-IN BA30P 00007	USED ON CODE	REF FIG NO.
3- A	PEDESTAL ASSEMBLY, BA30P (120V)	BA30P-EA		A	1
B	PEDESTAL ASSEMBLY, BA30P (230V)	BA30P-FA		B	1
1	*Pedestal Assembly (White)	70-32023-03			
2	*Door Assembly, Pedestal (White)	70-32013-02			
3	*Power Strip, NEMA	12-23501-01		A	
4	*Power Strip, IEC	12-45334-02		B	
5	*Power Supply 120V	30-46485-01		A	
6	*Power Supply 230V	30-46485-05		B	
7	*Rack, Cable	74-49788-01			
8	*Logo, DIGITAL	74-49793-03			
9	*Bracket, Shield	74-51195-01		B	
10	*Screw, Sems M5 Pan 12 mm	90-09984-18			
11	*Screw, Sems M4 Pan 8 mm	90-09984-19			
12	*Clamp, Cable (w/Mounting Hole)	12-47062-02			
13	*Screw, Sems M3 Pan 6 mm	90-09984-20			
14	*Label, Regulatory/Serial, Blank	36-41348-01			
15	*Package Assembly (Not Shown)	37-01637-01			
16	*Documentation, AlphaServer 4XXX Enclosure Configuration (Not Shown)	EK-4041E-CL			





INDICATES FRU LEVEL PARTS.

PARTS LIST

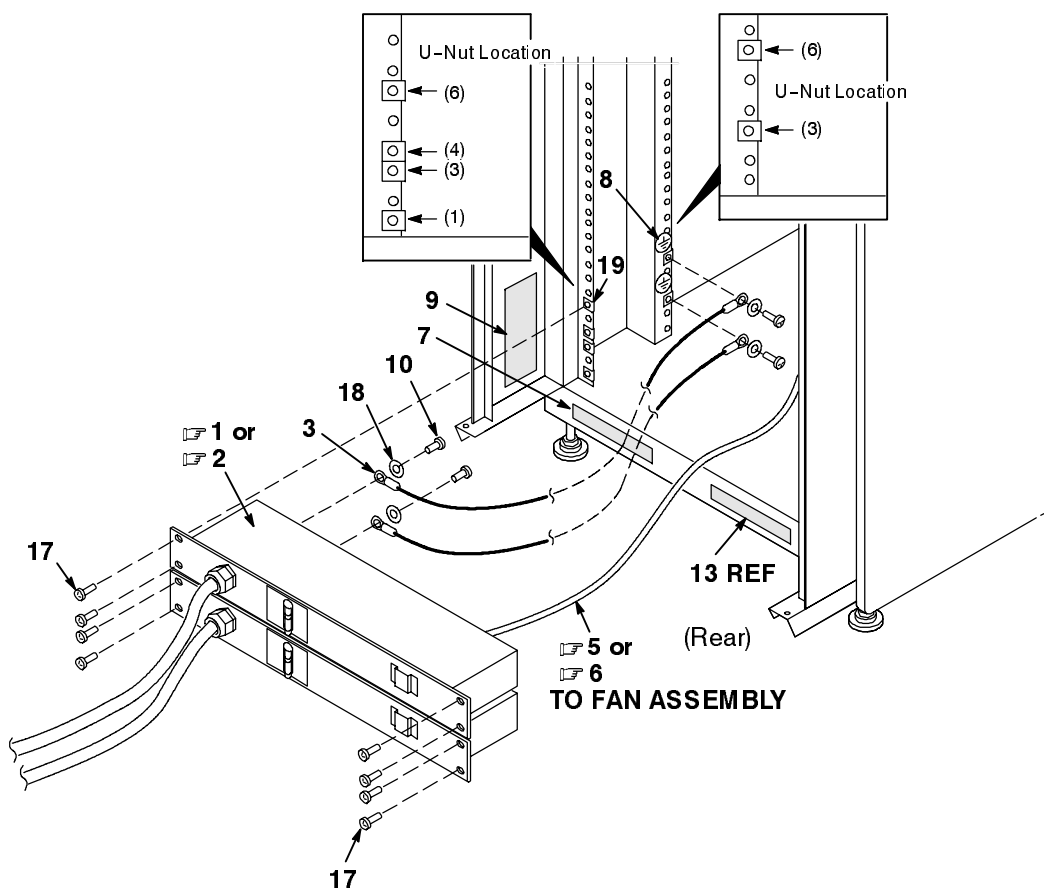


IP-H9A10-4-01

Figure 4. Cabinet Assembly, H9A10-EN/EP (Sheet 1 of 5)

  INDICATES FRU LEVEL PARTS.

PARTS LIST 

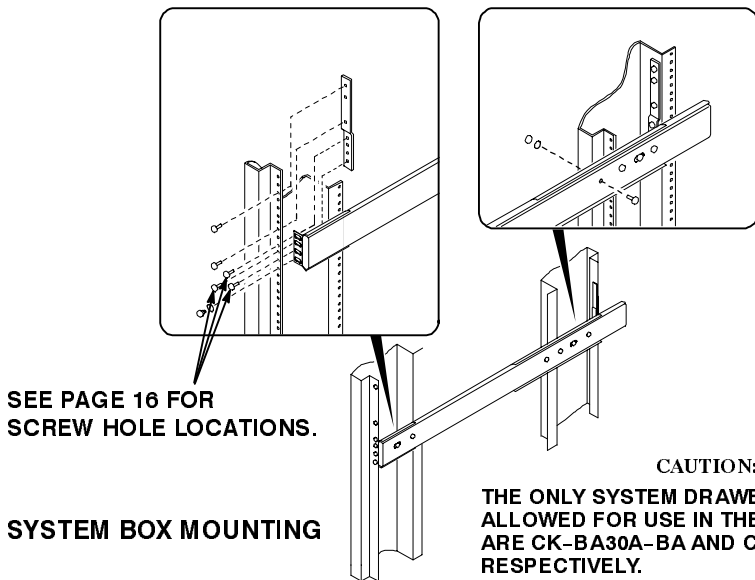
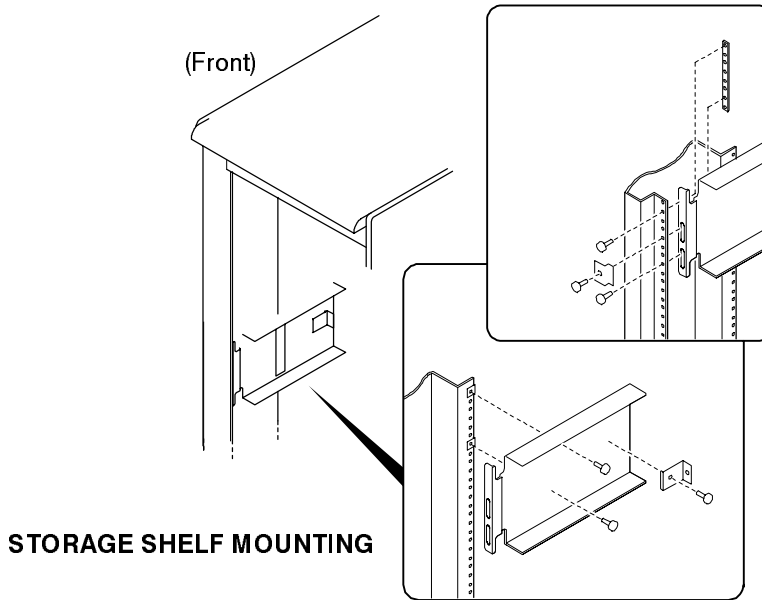


IP-H9A10-4-02

Figure 4. Cabinet Assembly, H9A10-EN/EP (Sheet 2 of 5)

  INDICATES FRU LEVEL PARTS.

PARTS LIST 

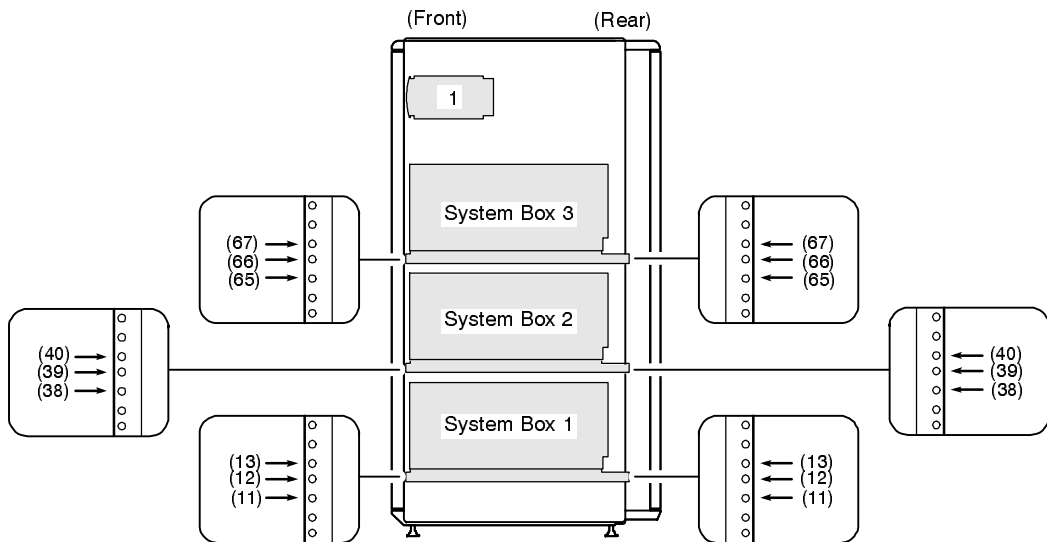


IP-H9A10-4-03

**Figure 4. Cabinet Assembly, H9A10-EN/EP (Sheet 3 of 5)**

  INDICATES FRU LEVEL PARTS.

PARTS LIST 



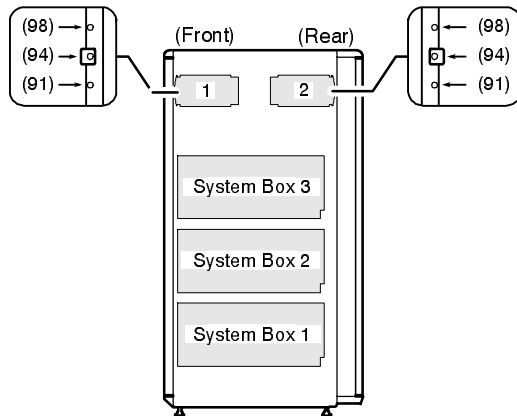
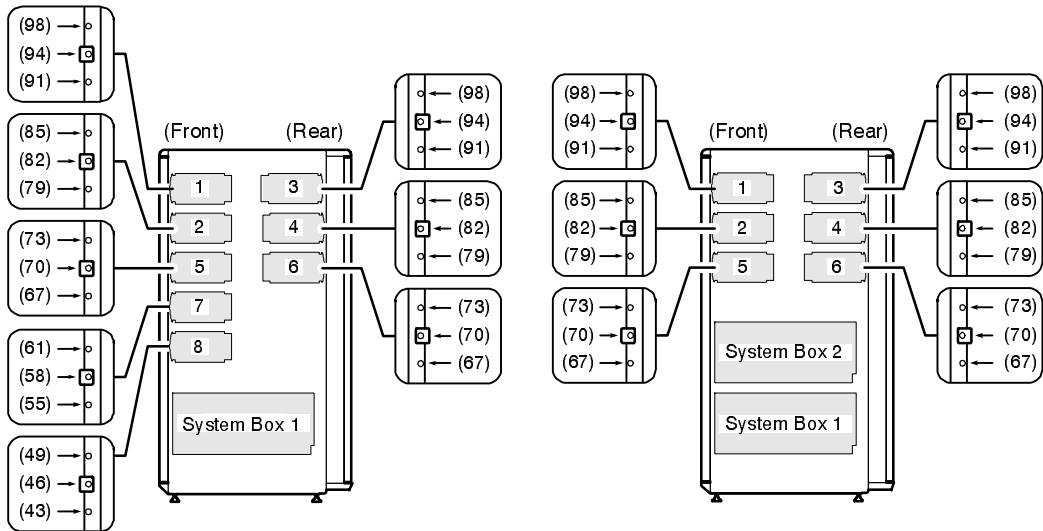
### SYSTEM BOX MOUNTING LOCATIONS

IP-H9A10-4-04

Figure 4. Cabinet Assembly, H9A10-EN/EP (Sheet 4 of 5)

INDICATES FRU LEVEL PARTS.

PARTS LIST 



**STORAGE SHELF MOUNTING LOCATIONS**

IP-H9A10-4-05

**Figure 4. Cabinet Assembly, H9A10-EN/EP (Sheet 5 of 5)**

FIG. & ITEM NO.	DESCRIPTION	DIGITAL PART NO. <sup>B</sup>	ECO CUT-IN H9A10-4 00001	USED ON CODE	REF FIG NO.
4- A	CABINET ASSEMBLY, 1.7M x 600 MM (RETMA) (U.S./Japan) (120V)	H9A10-EN		A	1
B	CABINET ASSEMBLY, 1.7M x 600 MM (RETMA) (U.S./Japan) (240V)	H9A10-EP		B	1
☞ 1	*Strip, Power Controller (120V)	H7600-AA		A	
☞ 2	*Unit, Power Distribution (240V)	H7600-DB		B	
3	*Strap, Ground	12-13756-12			
4	*Cable, w/Wrist Strap	12-24023-01			
☞ 5	*Power Cord (125V)	17-00606-04		A	
☞ 6	*Cable, Power Cord	17-04285-02		B	
7	*Label, Warning High Leakage Currents	36-22516-01			
8	*Label, Mylar Cap (Adhesive Backed)	36-13272-00			
9	*Label, Regulatory/Serial, Blank	36-41348-01			
10	*Screw, Sems Hex Hd 10-32 x .50	90-10156-00			
11	*Nut, Kep M5	90-40148-02			
☞ 12	*Fan Tray, Cabinet	70-32032-01			
13	*CABINET ASSEMBLY	H9A10-WA			
	**Label, Caution Stabilizer Foot (Page 13)	36-18384-01			
	**Label, Caution 2 Power Cord Multi-Language Service Information (Page 14)	36-46657-01			
14	*Kit, Front Door	H9C10-WF			
15	*Logo, DIGITAL	74-49793-01			
16	*Logo, Cabinet Bar	74-51261-01			
17	*Screw, Serrated Truss Hd 10-32 x .50	90-00063-39			
18	*Washer, Flat	90-06664-00			
19	*U-Nut, Clip, 10-32	90-07786-01			
20	*Screw, Sems Pan Hd 10-32 x .375	90-09228-10			

**PART NUMBER/DESCRIPTION INDEX** 

## INDEX BY DIGITAL PART NUMBER

PART NUMBER	DIGITAL Server 7000 DESCRIPTION	FIG.-ITEM NUMBER
12-13756-12	Strap, Ground	4-3
12-23501-01	Power Strip, NEMA	3-3
12-23609-21	Fan (4 1/2 Inch)	2-31
12-24023-01	Cable, w/Wrist Strap	4-4
12-45334-02	Power Strip, IEC	3-4
12-47062-02	Clamp, Cable (w/Mounting Hole)	3-12
17-00606-04	Power Cord (125V)	4-5
17-04196-01	Cable, RIO	2-16
17-04199-01	Cable, Current Share	2-6A
17-04200-01	Cable, Floppy Signal, 34 Pos.	2-17
17-04201-01	Cable, OCP to Saddle, 10 Pos. (800 mm)	2-18
17-04201-02	Cable, OCP Switch Board	2-19
17-04217-01	Cable, Power Harness	2-20
17-04285-02	Cable, Power Cord	2-4, 4-6
17-04292-01	Cable, SCSI CD-ROM to Bulkhead	2-21
17-04349-01	Cable, SCM (Jumper, 12V)	2-22
17-04350-01	Cable, SCM (34 Pos. Jumper)	2-23
17-04351-01	Cable, SCM (Power Jumper, 12V)	2-24
17-04363-01	Cable, SCM (16 Pos. Jumper)	2-25
22-13569-01	KIT, CABLE ASSEMBLY (Not Shown)	2-15
30-43049-01	LCD LED Backlite	2-5
30-44712-01	Power Supply 92-264V	2-6
30-46485-01	Power Supply 120V	3-5
30-46485-05	Power Supply 230V	3-6
36-13272-00	Label, Mylar Cap (Adhesive Backed)	4-8
36-18384-01	Label, Caution Stabilizer Foot (Page 13)	4-13
36-22516-01	Label, Warning High Leakage Currents	4-7
36-41348-01	Label, Regulatory/Serial, Blank	3-14, 4-9
36-41956-01	Label, Caution/Disconnect Icon	2-7
36-45161-04	Label, DIGITAL Server 7000 Enclosure Logo	2-33
36-45161-05	Label, DIGITAL Server 7000R Enclosure Logo	2-34
36-46176-01	Label, I/O Memory Slot Numbers	2-8
36-46657-01	Label, Caution 2 Power Cord Multi-Language Service Information (Page 14)	4-13
36-47685-01	Label, Regulatory, Blank	1-4, 2-35
36-49334-01	Label, B3052 Installed (Not Shown)	2-32
37-01522-02	Package Assembly (Not Shown)	1-5
37-01637-01	Package Assembly (Not Shown)	3-15
54-23803-01	Module, IIP System	2-9
54-24117-01	Module, Power Control	2-10
54-24364-01	Module, OCP Logic	2-11
54-24366-01	Module, OCP Switch	2-12
54-24674-01	Module, Server Control	2-13
70-31961-01	CHASSIS ASSEMBLY	2-14
70-32013-02	Door Assembly, Pedestal (White)	3-2
70-32023-03	Pedestal Assembly (White)	3-1
70-32032-01	Fan Tray, Cabinet	4-12



**INDEX BY DIGITAL PART NUMBER**  
DIGITAL Server 7000

PART NUMBER	DESCRIPTION	FIG.-ITEM NUMBER
74-49788-01	Rack, Cable	3-7
74-49793-01	Logo, DIGITAL	4-15
74-49793-03	Logo, DIGITAL	3-8
74-51195-01	Bracket, Shield	3-9
74-51261-01	Logo, Cabinet Bar	4-16
90-00063-39	Screw, Serrated Truss Hd 10-32 x .50	4-17
90-06664-00	Washer, Flat	4-18
90-07786-01	U-Nut, Clip, 10-32	4-19
90-09228-10	Screw, Sems Pan Hd 10-32 x .375	4-20
90-09636-00	Clamp, Cable (Adhesive Mount)	2-26
90-09984-18	Screw, Sems M5 Pan 12 mm	3-10
90-09984-19	Screw, Sems M4 Pan 8 mm	2-27, 3-11
90-09984-20	Screw, Sems M3 Pan 6 mm	2-28, 3-13
90-10156-00	Screw, Sems Hex Hd 10-32 x .50	4-10
90-11096-01	Tie, Cable	2-29
90-40148-02	Nut, Kep M5	4-11
B3040-AA	Module, MC Bus to PCI Bus Bridge	2-1
B3052-AA	Module, I/O Bus	2-2
B3105-AA	Module, CPU EV5.6, 4 MB (400 MHz) (NT Only)	1-2
B3105-CA	Module, CPU EV5.6, 4 MB (533 MHz) (NT Only)	1-2
BA30P-EA	PEDESTAL ASSEMBLY, BA30P (120V)	1-6, 3-A
BA30P-FA	PEDESTAL ASSEMBLY, BA30P (230V)	1-6, 3-B
EK-4041E-CL	Documentation, AlphaServer 4XXX Enclosure Configuration (Not Shown)	3-16
H7600-AA	Strip, Power Controller (120V)	4-1
H7600-DB	Unit, Power Distribution (240V)	4-2
H8571-J	Adapter, DECstation 2000, 9-Pin Serial	1-3, 2-36
H9A10-EN	CABINET ASSEMBLY, 1.7M x 600 MM (RETMA) (U.S./Japan) (120V)	1-7, 4-A
H9A10-EP	CABINET ASSEMBLY, 1.7M x 600 MM (RETMA) (U.S./Japan) (240V)	1-7, 4-B
H9A10-WA	CABINET ASSEMBLY	4-13
H9C10-WF	Kit, Front Door	4-14
PD03A-A9	DIGITAL Server 7000 5/400 KERNEL ASSEMBLY	1-A
PD03A-B9	DIGITAL Server 7000 5/533 KERNEL ASSEMBLY	1-B
PD03X-A9	BTS KERNEL ASSEMBLY	1-1, 2-N/A
RRD46-AB	CD-ROM (12X)	2-30
RX23L-AB	Floppy Drive, (1.44 MB)	2-3

## INDEX BY DIGITAL PART DESCRIPTION

### DIGITAL Server 7000

DESCRIPTION	PART NUMBER	FIG.—ITEM NUMBER
Adapter, DECstation 2000, 9-Pin Serial	H8571-J	1-3, 2-36
Bracket, Shield	74-51195-01	3-9
BTS KERNEL ASSEMBLY	PD03X-A9	1-1, 2-N/A
CABINET ASSEMBLY, 1.7M x 600 MM (RETMA) (U.S./Japan) (120V)	H9A10-EN	1-7, 4-A
CABINET ASSEMBLY, 1.7M x 600 MM (RETMA) (U.S./Japan) (240V)	H9A10-EP	1-7, 4-B
CABINET ASSEMBLY	H9A10-WA	4-13
Cable, Current Share	17-04199-01	2-6A
Cable, Floppy Signal, 34 Pos.	17-04200-01	2-17
Cable, OCP Switch Board	17-04201-02	2-19
Cable, OCP to Saddle, 10 Pos. (800 mm)	17-04201-01	2-18
Cable, Power Cord	17-04285-02	2-4, 4-6
Cable, Power Harness	17-04217-01	2-20
Cable, RIO	17-04196-01	2-16
Cable, SCM (16 Pos. Jumper)	17-04363-01	2-25
Cable, SCM (34 Pos. Jumper)	17-04350-01	2-23
Cable, SCM (Jumper, 12V)	17-04349-01	2-22
Cable, SCM (Power Jumper, 12V)	17-04351-01	2-24
Cable, SCSI CD-ROM to Bulkhead	17-04292-01	2-21
Cable, w/Wrist Strap	12-24023-01	4-4
CD-ROM (12X)	RRD46-AB	2-30
CHASSIS ASSEMBLY	70-31961-01	2-14
Clamp, Cable (Adhesive Mount)	90-09636-00	2-26
Clamp, Cable (w/Mounting Hole)	12-47062-02	3-12
DIGITAL Server 7000 5/400 KERNEL ASSEMBLY	PD03A-A9	1-A
DIGITAL Server 7000 5/533 KERNEL ASSEMBLY	PD03A-B9	1-B
Documentation, AlphaServer 4XXX Enclosure Configuration (Not Shown)	EK-4041E-CL	3-16
Door Assembly, Pedestal (White)	70-32013-02	3-2
Fan (4 1/2 Inch)	12-23609-21	2-31
Fan Tray, Cabinet	70-32032-01	4-12
Floppy Drive, (1.44 MB)	RX23L-AB	2-3
KIT, CABLE ASSEMBLY (Not Shown)	22-13569-01	2-15
Kit, Front Door	H9C10-WF	4-14
Label, B3052 Installed (Not Shown)	36-49334-01	2-32
Label, Caution 2 Power Cord Multi-Language Service Information (Page 14)	36-46657-01	4-13
Label, Caution Stabilizer Foot (Page 13)	36-18384-01	4-13
Label, Caution/Disconnect Icon	36-41956-01	2-7
Label, DIGITAL Server 7000 Enclosure Logo	36-45161-04	2-33
Label, DIGITAL Server 7000R Enclosure Logo	36-45161-05	2-34
Label, I/O Memory Slot Numbers	36-46176-01	2-8
Label, Mylar Cap (Adhesive Backed)	36-13272-00	4-8
Label, Regulatory, Blank	36-47685-01	1-4, 2-35
Label, Regulatory/Serial, Blank	36-41348-01	3-14, 4-9
Label, Warning High Leakage Currents	36-22516-01	4-7

## INDEX BY DIGITAL PART DESCRIPTION

DIGITAL Server 7000

DESCRIPTION	PART NUMBER	FIG.-ITEM NUMBER
LCD LED Backlite	30-43049-01	2-5
Logo, Cabinet Bar	74-51261-01	4-16
Logo, DIGITAL	74-49793-01	4-15
Logo, DIGITAL	74-49793-03	3-8
Module, CPU EV5.6, 4 MB (400 MHz) (NT Only)	B3105-AA	1-2
Module, CPU EV5.6, 4 MB (533 MHz) (NT Only)	B3105-CA	1-2
Module, I/O Bus	B3052-AA	2-2
Module, IIP System	54-23803-01	2-9
Module, MC Bus to PCI Bus Bridge	B3040-AA	2-1
Module, OCP Logic	54-24364-01	2-11
Module, OCP Switch	54-24366-01	2-12
Module, Power Control	54-24117-01	2-10
Module, Server Control	54-24674-01	2-13
Nut, Kep M5	90-40148-02	4-11
Package Assembly (Not Shown)	37-01522-02	1-5
Package Assembly (Not Shown)	37-01637-01	3-15
PEDESTAL ASSEMBLY, BA30P (120V)	BA30P-EA	1-6, 3-A
PEDESTAL ASSEMBLY, BA30P (230V)	BA30P-FA	1-6, 3-B
Pedestal Assembly (White)	70-32023-03	3-1
Power Cord (125V)	17-00606-04	4-5
Power Strip, IEC	12-45334-02	3-4
Power Strip, NEMA	12-23501-01	3-3
Power Supply 120V	30-46485-01	3-5
Power Supply 230V	30-46485-05	3-6
Power Supply 92-264V	30-44712-01	2-6
Rack, Cable	74-49788-01	3-7
Screw, Sems Hex Hd 10-32 x .50	90-10156-00	4-10
Screw, Sems M3 Pan 6 mm	90-09984-20	2-28, 3-13
Screw, Sems M4 Pan 8 mm	90-09984-19	2-27, 3-11
Screw, Sems M5 Pan 12 mm	90-09984-18	3-10
Screw, Sems Pan Hd 10-32 x .375	90-09228-10	4-20
Screw, Serrated Truss Hd 10-32 x .50	90-00063-39	4-17
Strap, Ground	12-13756-12	4-3
Strip, Power Controller (120V)	H7600-AA	4-1
Tie, Cable	90-11098-01	2-29
Unit, Power Distribution (240V)	H7600-DB	4-2
U-Nut, Clip, 10-32	90-07786-01	4-19
Washer, Flat	90-06664-00	4-18