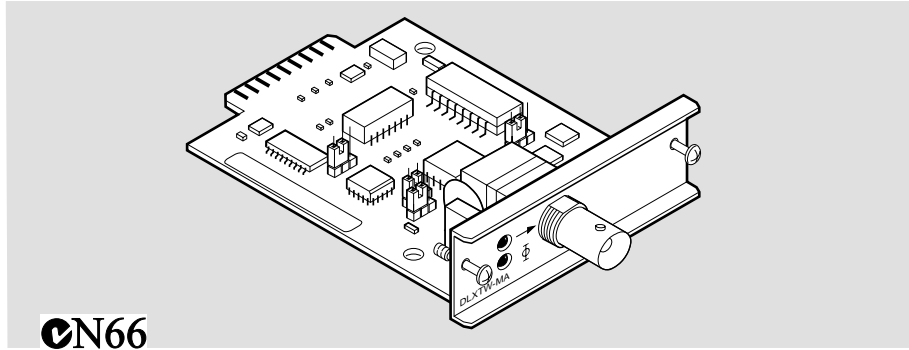


## Installing and Cabling the 10Base2 MM-10 (DLXTW)



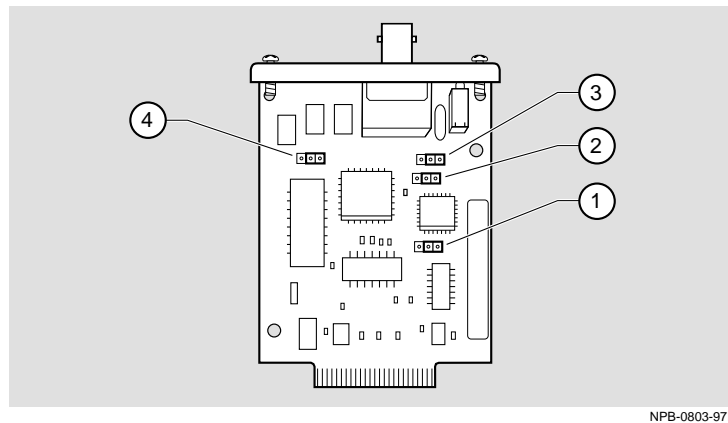
### Introduction

The 10Base2 MM-10 is part of the MM-10 product family (which also includes the 10BaseFL, 10BaseT, AUI, and Reverse AUI). It provides connectivity between a host module such as the DIGITAL MultiSwitch Hub 624T and network devices using 10Base2. It uses a BNC connector and standard 50-ohm coaxial cable. The MM-10 has jumpers that control the MM-10 configuration, such as enabling SQE test or monitoring transmit or receive data.

### Configuring Jumpers on the 10Base2 MM-10 Option Card

The MM-10 jumpers are set to the most commonly-used configurations. For special applications or troubleshooting, you may wish to reconfigure the jumper settings. Refer to the following figure and table.

#### 10Base2 MM-10 Jumper Locations



Item	Jumper	Description	Default
1	ACT →	Sets Activity LED to blink on for: <ul style="list-style-type: none"> <li>• TX = transmit packets only</li> <li>• BOTH = all packets</li> </ul>	BOTH

Item	Jumper	Description	Default
2	SQE Test	Enables SQE test 0 = Disable; 1 = Enable	Disable
3	COAX GND	Enables grounding of coaxial cable 0 = Coaxial shell not grounded; 1 = Ground coaxial shell	Coaxial shell not grounded
4	TERM	Determines whether internal or external 50-ohm terminator is used 0 = External; 1 = Internal	External

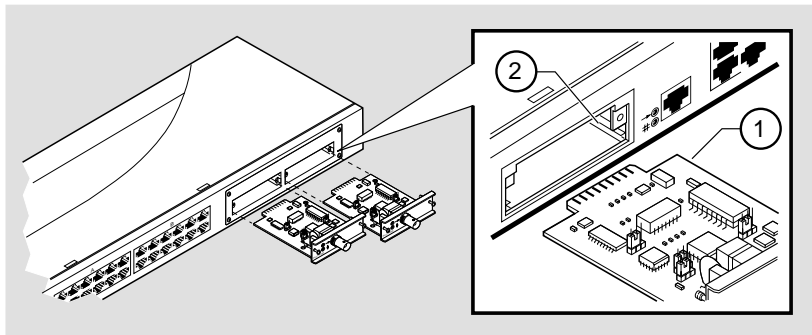
## Installation Procedure

The 10Base2 MM-10 installs into one of the Carrier Card slots and *is hot-swappable*. To install the 10Base2 MM-10, complete the following steps. A Phillips-head screwdriver is required.

**Note:** Installing MM-10s into the DIGITAL MultiSwitch Hub 624T requires prior installation of the DIGITAL MultiSwitch Hub 624T Carrier Card, part number DLXMC-MA, which *is not hot-swappable*.

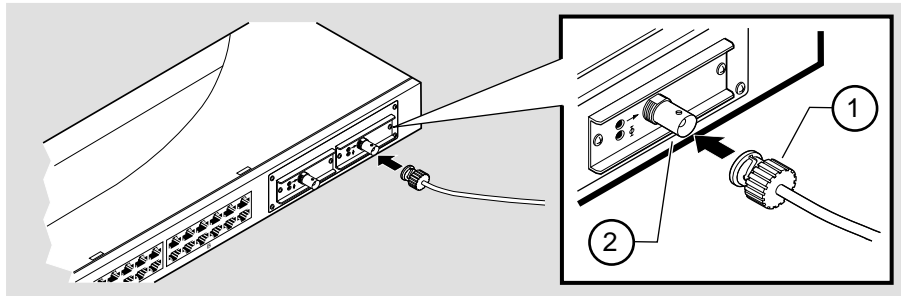
**Note:** If the 10Base2 MM-10 is *not* at the end of a cable segment, then the TERM jumper must be set to External termination. If the MM-10 is at the end of a cable segment, then the TERM jumper must be set to either Internal or External termination. Set to Internal unless you are using an external 50-ohm terminator.

- 1 Hold the 10Base2 MM-10 by its bezel and align the edges of the MM-10 (1) with the card guides (2) in the Carrier Card. Push the 10Base2 MM-10 into the slot until it is firmly seated inside the module.



NPB-0598-96F

- 2 Align and securely fasten the two screws.
- 3 Attach the 10Base2 cable (1) to the MM-10's BNC connector (2). Turn the cable's connector one-quarter to the right until it locks in place. Attach the other end of the cable to either a properly terminated 10Base2 device or to a terminator. The 10Base2 MM-10 must be jumpered properly for internal or external termination. Total cable length should not exceed 185 meters, end to end.



NPB-0651-96F

For further configuration and LED state information, see the *DIGITAL MultiSwitch Hub 624T Installation and Configuration* manual.