



## H7600 Power Distribution Unit Installation Information

EK-H7600-IN. E01

June 1999

### Introduction

The H7600 power distribution unit (PDU) is installed in the bottom rear of a 19-inch or 24-inch cabinet. The H7600 PDUs provide multiple outlets, an on/off circuit breaker, and a power-on light.

#### Caution



The fuse should be removed only for test purposes or when MOV protection is not approved per local or national standards.

#### Note

The H7600-BB/DB PDUs are not intended or approved for use in North America.

#### WARNING

**The H7600-CB PDU is approved only for low-leakage applications. The total ground current is not to exceed 3.5 mA.**

The following table contains a list of the available H7600 PDU models, their input voltage, the number and type of outlets, and the type of power cord.

PDU Model	Input Voltage	Number/Type Outlets	Type Power Cord
H7600-AA	100-120 Vac	10 ac outlets	L5-30P plug
H7600-AB	200-240 Vac	10 ac outlets	L6-20P plug
H7600-BB	220-240 Vac	10 ac outlets	IEC 309 plug
H7600-CB	220-240 Vac	12 IEC 320 ac outlets	IEC 320-C20 receptacle
H7600-DB	220-240 Vac	12 IEC 320 ac outlets	IEC 309 plug
H7600-EA	100-120 Vac	12 IEC 320 ac outlets	L5-30P plug
H7600-EB	200-240 Vac	12 IEC 320 ac outlets	L6-20P plug

© Compaq Computer Corporation. 1999. All Rights Reserved.

® Compaq and the Compaq logo are registered in the United States Patent and Trademark Office.

If the plugs are not compatible to your power-source receptacle, contact your Compaq Customer Service office for assistance. The following table contains a list of the power cords available for the H7600-CB PDU.

Country	Part Number	Country	Part Number
U.S., Canada, Japan	BN18X-4E	Denmark	BN27K-2E
Australia, New Zealand	BN18D-4E	Italy	BN18E-4E
Central Europe <sup>1</sup>	BN25T-4E	India, South Africa	BN22V-4E
UK, Ireland	BN18B-4E	Israel	BN27N-2E
Switzerland	BN27G-2E		

<sup>1</sup> Includes Austria, Algeria, Belgium, Finland, France, Germany, Netherlands, Norway, Portugal, Spain, and Sweden.

## Installing the H7600 PDU in a 19-Inch Cabinet

The H7600 PDU is shipped with four 10-32 truss-head screws, five 10-32 clip nuts, one 12-in. ground strap, two 10-32 hex-head screws, two flat washers, and one ground symbol label. Refer to Figure 1 and the following procedure to install the H7600 PDU in a 19-inch cabinet:

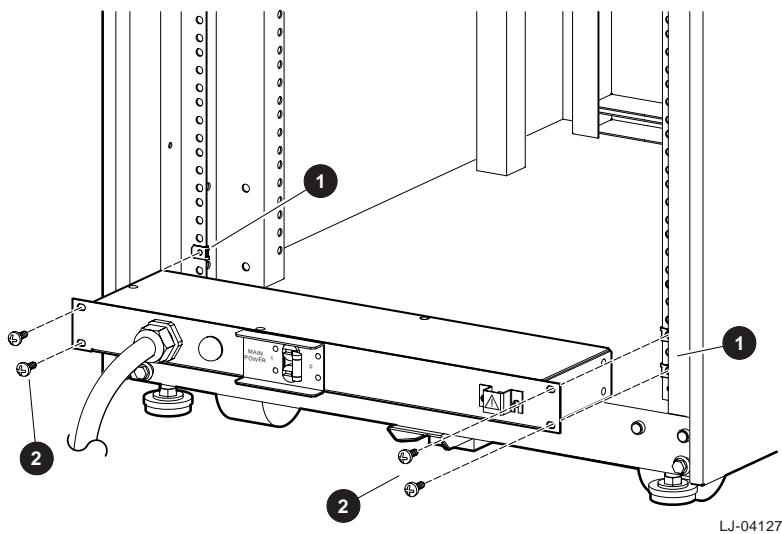
1. Open the rear door of the equipment cabinet.
2. Install the four 10-32 clip nuts **1** over the first and third holes from the bottom on the left and right rear rails.
3. Slide the H7600 PDU into the cabinet so that the holes on the flanges line up with the clip nuts that are installed on the left and right rear rails.
4. Use four 10-32 truss-head screws **2** to secure the H7600 PDU to the rear rails.

### WARNING

**Secure the ground strap (not shown in Figure 1) to the rear of the PDU by using one 10-32 hex-head screw and one flat washer. Install a 10-32 clip nut on the inside left rear rail (as viewed from the rear of the cabinet). And secure the other end of the ground strap to this clip nut by using one 10-32 hex-head screw and one flat washer. Apply the ground symbol label directly above the ground connection on the rail. The end product user is responsible for meeting local and national electrical codes.**

To install a second H7600 PDU in the cabinet above the one already installed, follow the previous steps.

**Figure 1 Installing the H7600 PDU in a 19-Inch Cabinet**



## Installing the H7600 PDU in a 24-Inch Cabinet

To install the H7600 PDU in a 24-inch cabinet, a 2T-PDU24-KT hardware kit containing eight 10-32 truss-head screws and two extension brackets is required. Refer to Figure 2 and the following procedure to install the H7600 PDU in a 24-inch cabinet:

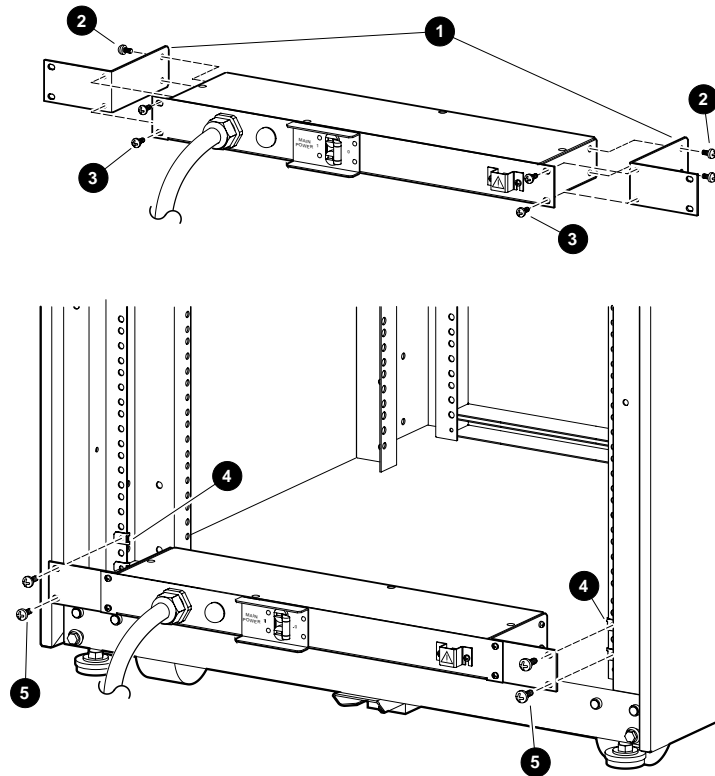
1. Open the rear door of the equipment cabinet.
2. Attach the extension bracket **1** to the H7600 PDU by using two 10-32 truss-head screws **2** to secure the extension bracket to the right side of the H7600 PDU.
3. Use two more 10-32 truss-head screws **3** to secure the extension bracket to the right flange on the H7600 PDU.
4. Repeat steps 2 and 3 to secure the extension bracket to the left side of the H7600 PDU.
5. Install the four 10-32 clip nuts **4** over the first and third holes from the bottom on the left and right rear rails.
6. Slide the H7600 PDU into the cabinet so that the holes on the extension brackets line up with the clip nuts that are installed on the left and right rear rails.
7. Use four 10-32 truss-head screws **5** to secure the H7600 PDU to the rear rails.

### WARNING

Secure the ground strap (not shown in Figure 2) to the rear of the PDU by using one 10-32 hex-head screw and one flat washer. Install a 10-32 clip nut on the inside left rear rail (as viewed from the rear of the cabinet). And secure the other end of the ground strap to this clip nut by using one 10-32 hex-head screw and one flat washer. Apply the ground symbol label directly above the ground connection on the rail. The end product user is responsible for meeting local and national electrical codes.

To install a second H7600 PDU in the cabinet above the one already installed, follow the previous steps.

Figure 2 Installing the H7600 PDU in a 24-Inch Cabinet



LJ-04128

