



Front Bay Hard Drive Installation

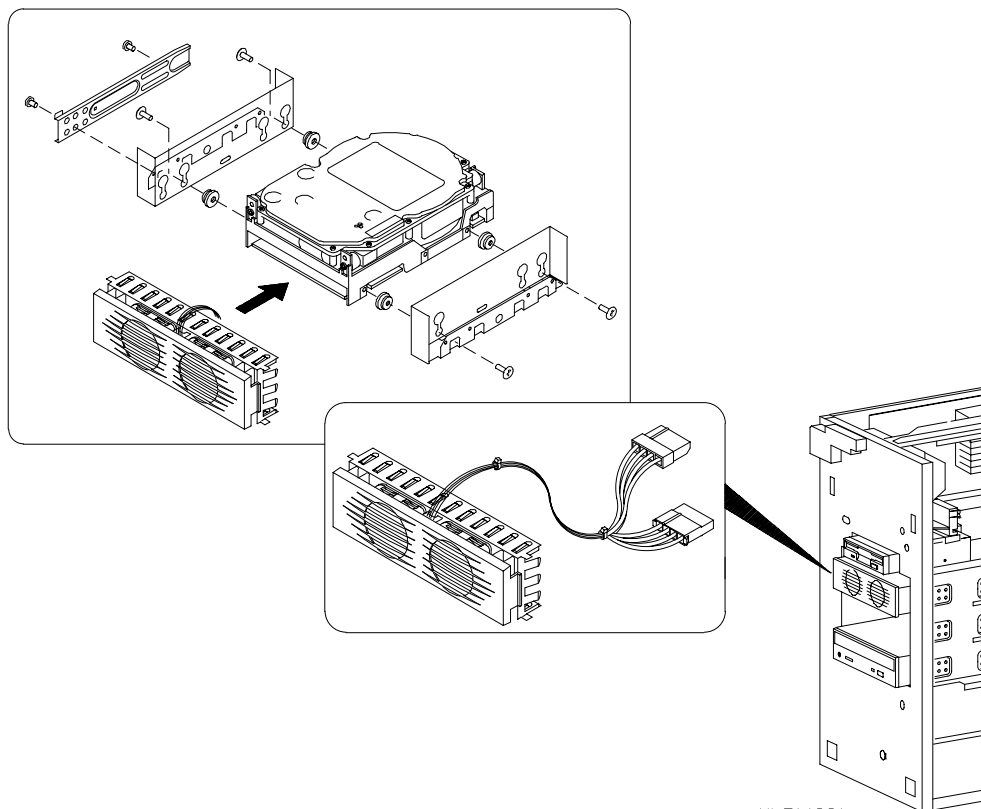
EK-FBHDA-IN. A01

The enclosed expansion-brackets (part number 70-40162-01,-02) are provided with the option-kit for the installation of the 3.5-inch hard drive in the 5.25-inch front bay of the system. These brackets provide overall improved system box acoustic performance by isolating hard-drive generated noise.

Note: Only the top bay should be used for the installation of the 1.6-inch high drives that come with a cooling fan assembly. Also, use no more than one 1.6-inch high drive with cooling fans in a system.

To install the drive and fans, follow these procedures.

1. Remove the sheet metal system cover and the front plastic bezel; consult your user manual for details about removal of the cover and the bezel.
2. Assemble the brackets and drive as shown in the illustration.
3. Pull out the left-hand side rail guide from the 5.25-inch bay wall (rail guides are shipped pre-installed in the system).
4. Attach the rail guide as shown in the illustration.
5. Secure the drive assembly in the 5.25-inch bay with the two 6-32 screws provided in the kit.
6. Place the cooling fan assembly in front of the drive oriented shown.
7. Route the fan cable under the drive into the system box. The fan cable has two connectors at the end; plug one into the hard drive and the other into any available power supply harness outlet.
8. Snap the fan assembly into place and reinstall the bezel and the system cover.



ML014881

© Compaq Computer Corporation. 1999. All Rights Reserved.