

**ILLUSTRATED
PARTS
BREAKDOWN**

**DEClaser 3200/3250
PRINTER**

ILLUSTRATED PARTS BREAKDOWN (IPB)

The IPB is used to identify a part and its location in a hardware product. The document references specific item numbers in the associated parts list.

HOW TO USE THE IPB

1. Locate the figure containing the item of interest.
2. Locate the number (callout) of the item of interest.
3. Locate that item number in the associated parts list.

FORMAT

Each IPB is generally organized based on its first figure. All other assemblies and subassemblies are referenced from this figure. Each figure contains numeric callouts of all major parts (items).

PARTS LIST

Each parts list contains the following:

Figure and Item No. – Lists the figure number and its referenced numeric callout

Description – Presents the name and a brief description of the item. A single asterisk (*) preceding the description

denotes item is a subassembly to its referenced figure. A double asterisk (**) preceding the description indicates that this item is subordinate to the preceding single asterisk item.

DEC Part No. – Lists the Digital/Vendor part number. The letter in the column heading indicates the current revision level of the Engineering Drawing for the referenced figure.

ECO Cut-In – Lists the top assembly drawing number and revision level at first printing. All additional revisions to an item are listed in this column.

Used On Code – Lists letters referring to the product variation assigned in Figure 1. When this column is blank, the item is used in all options.

Ref Fig No. – Lists a cross reference between figures within the IPB.

PART NUMBER/PART DESCRIPTION INDEX SECTION

Lists items by part number numerically, and description alphabetically. Items are also referenced to a location within the IPB by figure and item number.

ECO/REVISION HISTORY

**OTHER IPB
MANUALS
REFERENCED**

FIGURE NO.	ASSEMBLY	INITIAL LEVEL	CURRENT LEVEL	PRINTING DATE	OTHER IPB MANUALS REFERENCED
1	LN08	00000	00000	20-JAN-92	
2	N/A				
3	N/A				
4	N/A				
4A	N/A				
5	N/A				
6	N/A				
7	N/A				
8	N/A				
9	N/A				
10	N/A				
11	N/A				
12	N/A				
13	N/A				

Digital Equipment Corporation reserves the right, without notice, to make substitutions and modifications in the specifications of products documented in this manual and further reserves the right to withdraw any of these products from the market without notice.

Digital Equipment Corporation is not responsible for errors which may appear in the technical description (including illustrations and photographs) of the products covered by this manual.

None of the descriptions contained in this manual imply the granting of any license whatsoever to make, use or sell equipment constructed in accordance therewith.

Restricted Rights: Use, duplication or disclosure by the U.S. Government is subject to restrictions as set forth in subparagraph (c) (1) (ii) of the Rights in Technical Data and Computer Software clause at DFARS 252.227-2713.

Copyright © 1992 by Digital Equipment Corporation. All rights reserved.
Printed in U.S.A.

The postage-paid READER'S COMMENTS form on the last page of this document requests your critical evaluation to assist us in preparing future documentation.

The following are trademarks of Digital Equipment Corporation :

DECconnect, DECdirect, DEClaser and the DIGITAL logo.

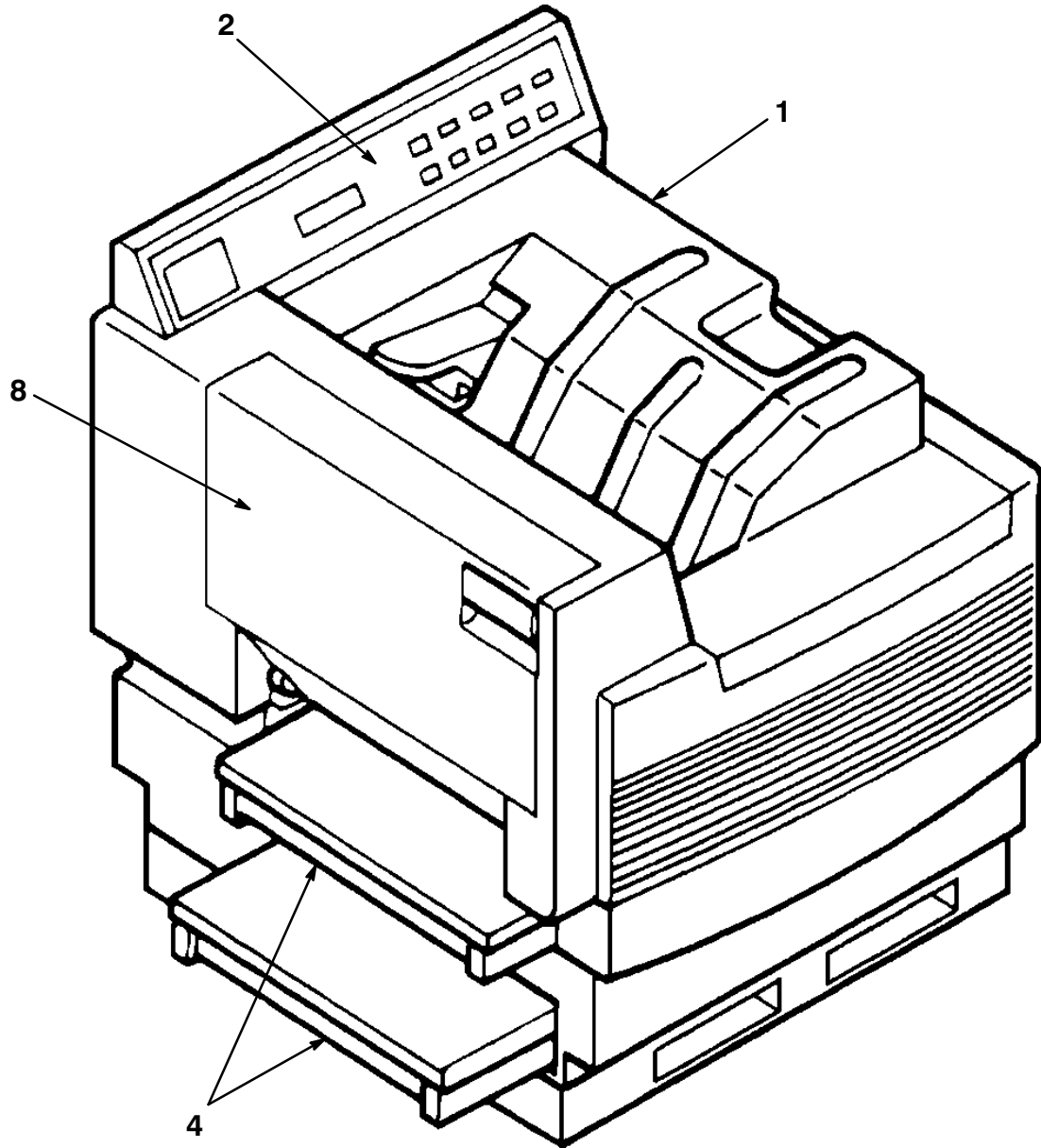
Microsoft is a registered trademark of Microsoft Corporation.

PostScript is a registered trademark of Adobe Systems, Incorporated.

WordPerfect is a registered trademark of WordPerfect Corporation.

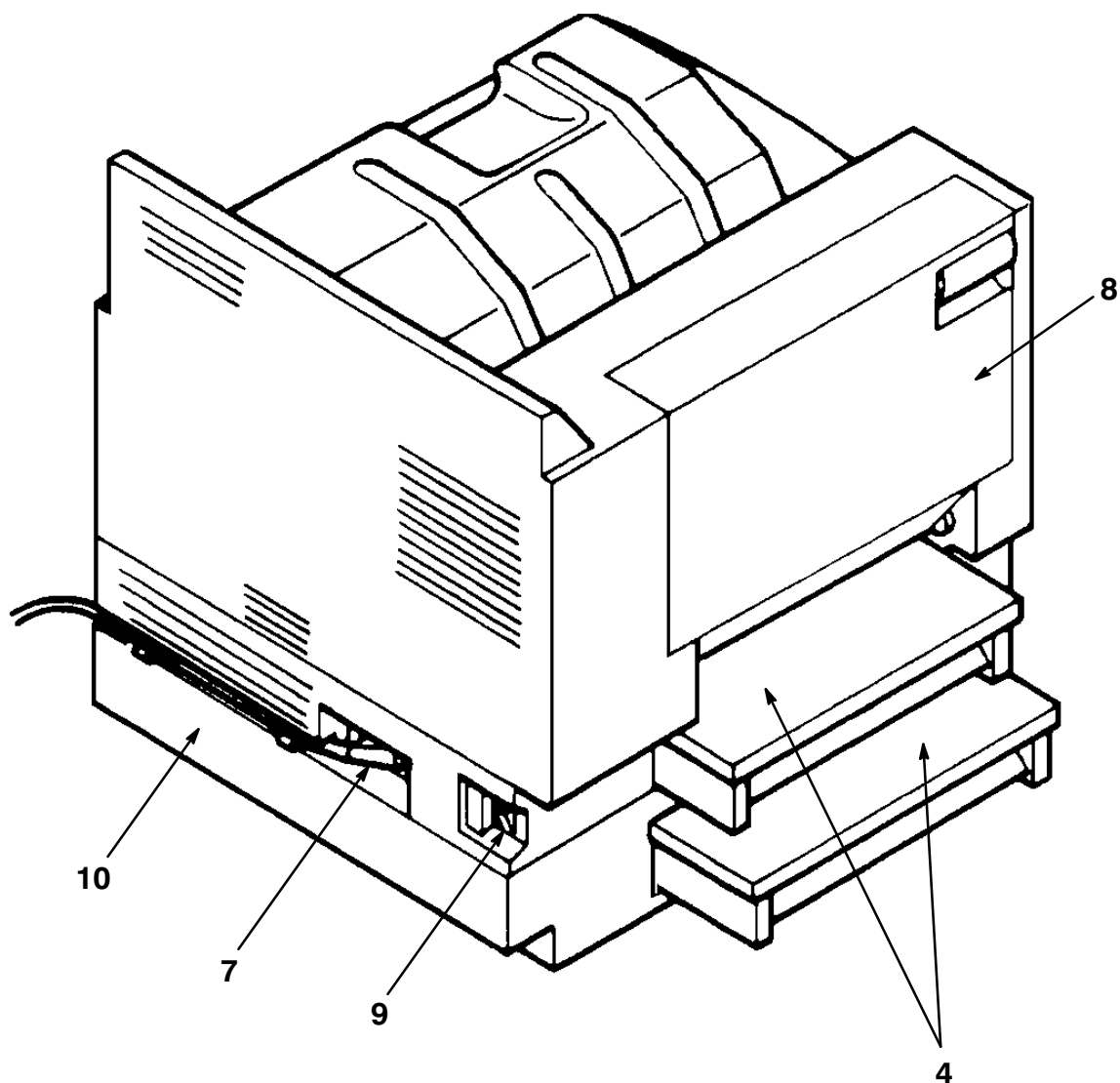
TABLE OF CONTENTS

FIGURE NUMBER	DESCRIPTION	PAGE NUMBER
1	DEClaser 3200/3250 PRINTER	1
2	COVERS	9
3	TRAYS, PAPER	11/12
4	TRANSPORT ASSEMBLY, REGISTRATION	13
4A	PAPER FEED TO REGISTRATION	15
5	FEED ASSEMBLY, LOWER	17
6	TRANSPORT ASSEMBLY, PAPER	19
7	MAIN DRIVE ASSEMBLY / TRANSFER COROTRON ASSEMBLY	21
8	FUSER ASSEMBLY	23
9	BAFFLE AND REFEED ASSEMBLY	25
10	PAPER EXIT AND OFFSET ASSEMBLY	27
11	XEROGRAPHIC MODULES	29
11A	LASER SCANNER MODULE ASSEMBLY	31
12	POWER SUPPLY AND CONTROL PANEL	33
13	VIDEO CONTROLLER MODULE ASSEMBLY	35
	PART NUMBER INDEX	A-1
	PART DESCRIPTION INDEX	B-1



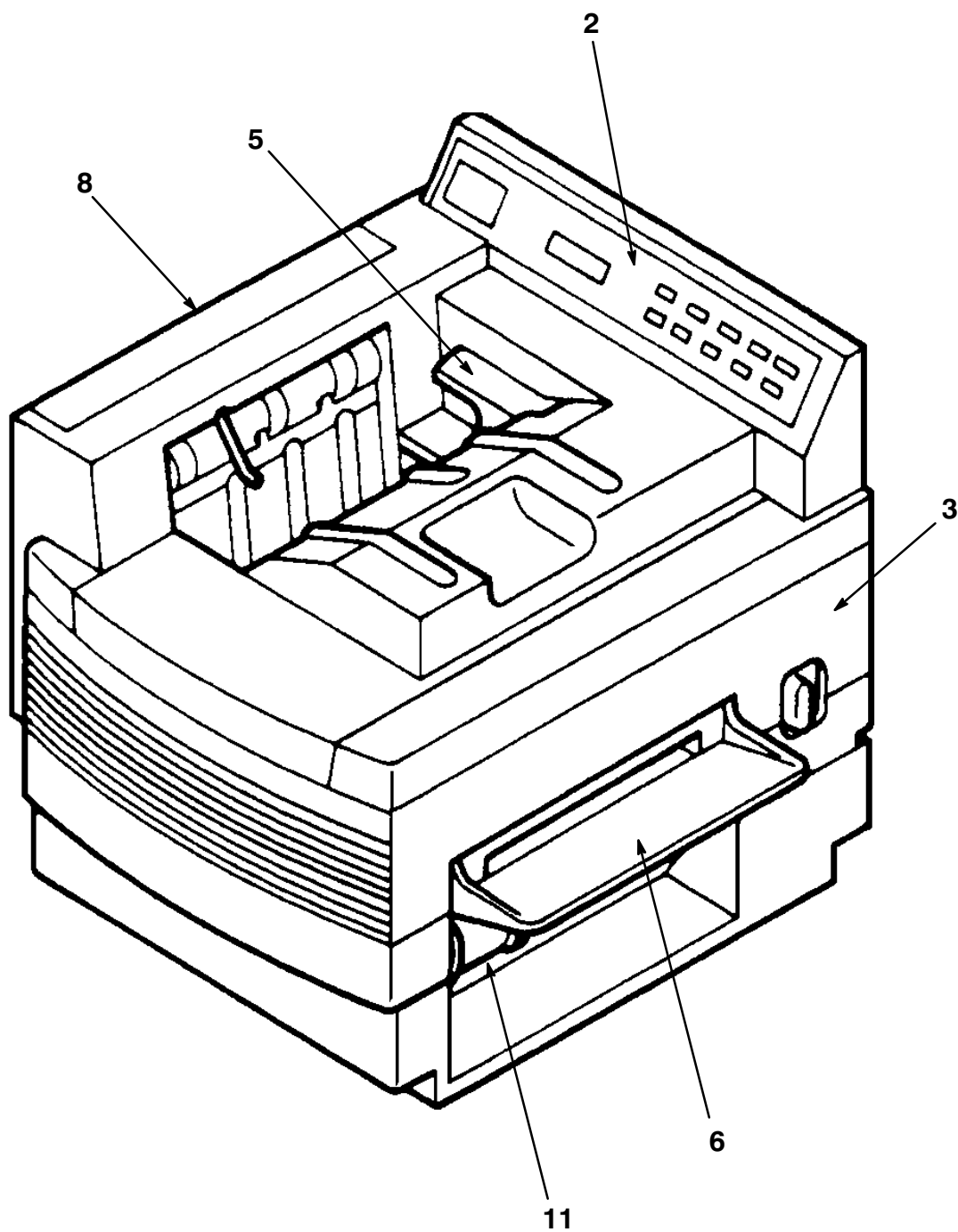
DL3200-01-SC

Figure 1. DEClaser 3200/3250 Printer (Sheet 1 of 3)



DL3200-01A-SC

Figure 1. DEClaser 3200/3250 Printer (Sheet 2 of 3)



DL3200-01B-SC

Figure 1. DEClaser 3200/3250 Printer (Sheet 3 of 3)

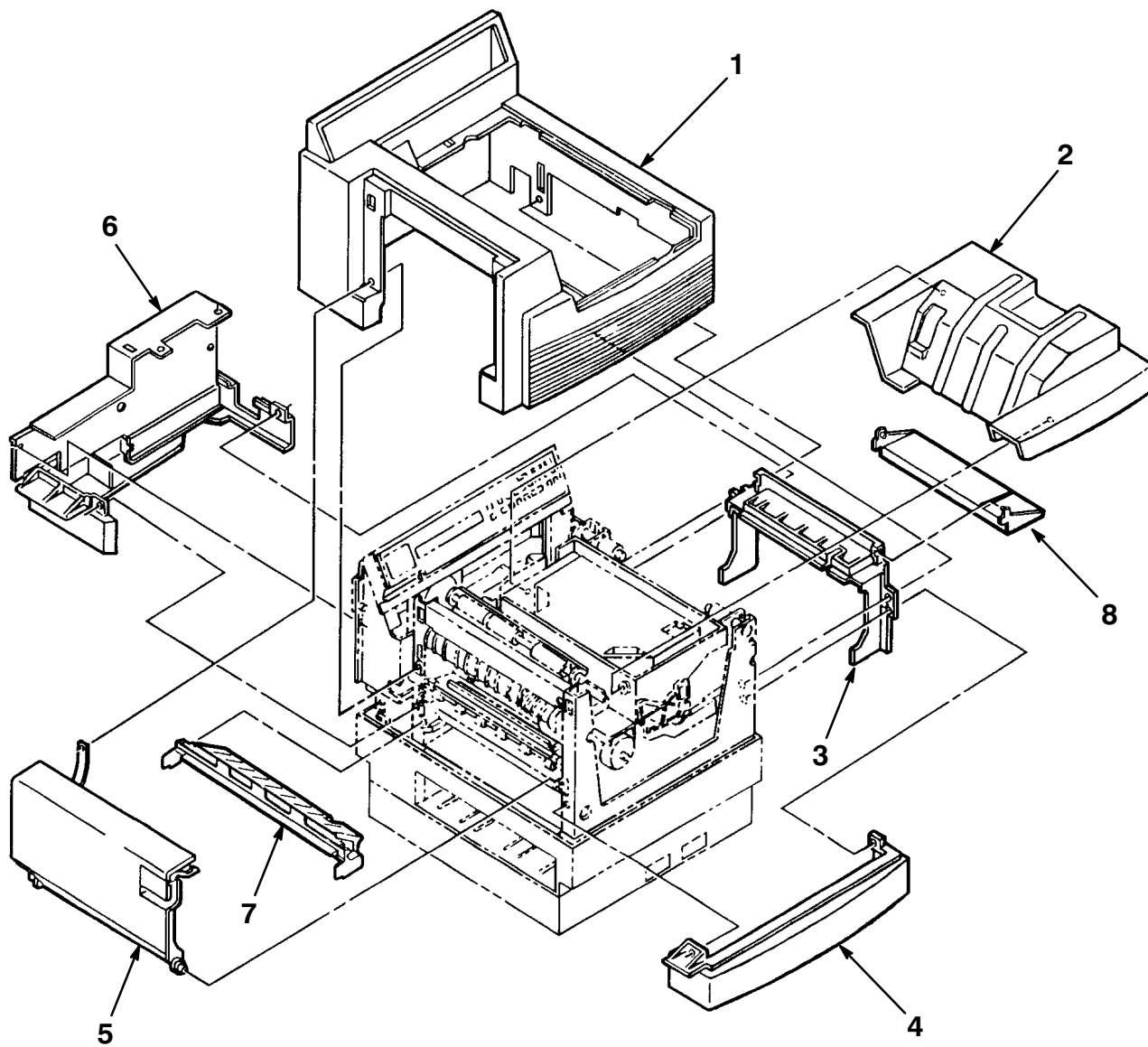
FIG. & ITEM NO.	DESCRIPTION	DEC PART NO.	ECO CUT-IN LN08 00000	USED ON CODE	REF FIG NO.
1-	DEClaser 3200/3250 PRINTER				
	Code A – PRINTER (w/MMJ Cable, USA Power Cord, and English User Documentation) (120V 60Hz)	LN08-CA		A	
	Code B – PRINTER (w/MMJ Cable & English User Documentation – No Power Cord) (220V 50Hz)	LN08-A3		B	
1	*Printer, Laser S/DPX LN08 (120V 60Hz)	30- TBA -01		A	
	*Printer, Laser S/DPX LN08 (220V 50Hz)	30- TBA- 02		B	
2	*Panel, Control	29-29248-01			
3	*COVER, RIGHT SIDE (See Note)	29-29775-01			2
4	*TRAYS, UPPER and LOWER PAPER (See Note) (See Figure 3 for Descriptions)	LN08X-TC LN08X-TB LN08X-TA			3
5	*Lever, Top Cover Release (See Note)	N/A			
6	*TRAY, MANUAL FEED (See Note)	N/A			2
7	*Cord, Power (US)	17-00083-09		A	
8	*COVER LEFT SIDE (Exit) (See Note)	29-29238-01			2
9	*Switch, Power (See Note)	N/A			
10	*Cover, Memory Access (See Note)	N/A			
11	*Door Assembly, Right Cover Feed	29-29704-01			
	KITS and MODULES, UPGRADE (Not Shown)				
	*Kit, PostScript® Upgrade w/CPS License	LN08R-UA			
	*Kit, PostScript Upgrade w/o CPS License	LN08U-UA			
	*Module, PostScript Upgrade	LN08X-PS			
	*Module, Numeric Co-Processor	LN08X-UD			
	*Module, 2 MB RAM Upgrade	LN08X-UC			
	FONT CARTRIDGES (Not Shown) for LN08 DEC – PPL3				
	*Font Cartridge, C.G. Times	LN08X-CA			
	*Font Cartridge, C.G. Triumvirate	LN08X-CB			
	*Font Cartridge, ITC Souvenir/Embassy Script	LN08X-CC			
	*Font Cartridge, Monospaced Fonts	LN08X-CD			
	*Font Cartridge, Blank (256K)	LN08X-CF			
	*Font Cartridge, Blank (512K)	LN08X-CG			
	*Font Cartridge, WordPerfect™ PCL	LN08X-CH			
	*Font Cartridge, Microsoft® PCL	LN08X-CI			
	NOTE: This part shown for reference only, not part of this assembly.				

FIG. & ITEM NO.	DESCRIPTION	DEC PART NO. ^A	ECO CUT-IN LN08 00000	USED ON CODE	REF FIG NO.
1-	<p style="text-align: center;">ACCESSORIES and SUPPLIES (Used with LN08, LN08R, LN08U)</p> <p>*KIT, TONER CARTRIDGE **Cartridge, Toner (2 per Kit)</p> <p>*KIT, PHOTORECEPTOR **Brush, T/D Cleaning **Pad, Fuser Cleaning **Cartridge, OPC</p> <p>*KIT, DEVELOPER **Cartridge, Developer **Cartridge, Toner **Corotron, Transfer/Detack</p> <p>*Feeder, Multi-Media Paper *Tray, A4 Size Paper Input *Tray, Legal Size Paper *Tray, Letter Size Paper *Tray, Adjustable Size Paper *Tray, Letter Size Large Capacity *Tray, A4 Size Large Capacity *Kit, Miscellaneous Hardware Parts (Screws, Clips, Washers, E-Rings, Etc.) *Table, Laser (45 Inch x 22 Inch) *Converter, 20 mA Active Host Mate-N-Lok to EIA-423 DECconnect MMJ Passive *Converter, 20mA Active Host RJ11 (6 Pin) to EIA-423 DECconnect MMJ Passive *Cable, 10 Ft for PC Parallel Printer</p> <p style="text-align: center;">DOCUMENTATION (Not Shown)</p> <p>*DOCUMENTATION KIT, PRINTER ** Documentation, DEClaser 3200 Printer/Install. Guide (Multi-lingual) **Documentation, DEClaser 3200 Printer/Operator's Guide (English) **Documentation, DEClaser 3200 Printer/Operator's Quick Reference Guide</p>	<p>LN08X-AA N/A</p> <p>LN08X-AB N/A 29-29247-01 N/A</p> <p>LN08X-AC N/A N/A N/A</p> <p>LN08X-TE LN08X-TA LN08X-TB LN08X-TC LN08X-TD LN08X-TF LN08X-TG 22-01341-01</p> <p>LAXXS-AE H8673-AA</p> <p>H8673-AB</p> <p>BC19M-10</p> <p>EK-D3200-DK EK-DC32P-IN</p> <p>EK-DC32P-OP</p> <p>EK-DEC32-RF</p>			

FIG. & ITEM NO.	DESCRIPTION	DEC PART NO.	ECO CUT-IN LN08 00000	USED ON CODE	REF FIG NO.
1-	DOCUMENTATION (Not Shown) (continued)				
	*Documentation, DEClaser 3200 Printer/Operator Guide (English)	EK-DC32P-OP			
	*Documentation, DEClaser 3200 Printer/Install. Guide (Multi-lingual)	EK-DC32P-IN			
	*Documentation, DEClaser 3200 Printer/PostScript Option Installation Guide	EK-DEC32-OG			
	*Documentation, DEClaser 3200 Printer/SIMM Installation Guide	EK-D32PS-IN			
	COUNTRY KITS (Not Shown) (Used with LN08, LN08R, LN08U)				
	*KIT, DENMARK COUNTRY (220V)	LN08X-KD		B	
	**Cord, Power Term. (10A 250V)	17-00310-08			
	**Cable Assembly, MMJ LAN Conn 10FT BC16-E	17-00811-02			
	*KIT, UK/IRELAND COUNTRY (240V)	LN08X-KE		B	
	**Cord, Power (10A 250V)	17-00209-15			
	**Cable Assembly, MMJ LAN Conn 10FT BC16-E	17-00811-02			
	*KIT, GERMAN/AUSTRIA COUNTRY (220V)	LN08X-KG		B	
	**Cord, Power (10A 250V)	17-00199-21			
	**Cable Assembly, 6 Cond Shielded 10FT MMJ	17-01364-01			
	**Documentation, "German Operator's Guide"	EK-3200G-OP			
	**Documentation, "German Quick Ref. Guide"	EK-3200G-RF			
	**Documentation, German Spine Set	EK-3200G-SS			
	**Label, U/I (German)	36-35182-04			
	**Card, FTZ German EMI Registration	TBA			
	*KIT, ITALIAN COUNTRY(220V)	LN08X-KI		B	
	**Cord, Power (10A 250V)	17-00364-18			
	**Cable Assembly, MMJ LAN Conn 10FT BC16-E	17-00811-02			
	*KIT, SPANISH COUNTRY (220V)	LN08X-KS		B	
	**Cord, Power (10A 250V)	17-00199-21			
	**Cable Assembly, MMJ LAN Conn 10FT BC16-E	17-00811-02			
	**Documentation, Operator's Guide (Spanish)	EK-3200S-OP			
	**Documentation, "Spanish Quick Ref. Guide"	EK-3200S-RF			
	**Documentation, Spanish Spine Set	EK-3200S-SS			
	**Label, U/I (Spanish)	36-35182-05			
	*KIT, ISRAEL (240V)	LN08X-KT		B	
	**Cord, Power (10A 250V)	17-00457-16			
	**Cable Assembly, MMJ LAN Conn 10FT BC16-E	17-00811-02			

FIG. & ITEM NO.	DESCRIPTION	DEC PART NO.	ECO CUT-IN LN08 00000	USED ON CODE	REF FIG NO.
1-	<p style="text-align: center;">COUNTRY KITS (Not Shown) (continued) (Used with LN08, LN08R, LN08U)</p> <p>*KIT, AUSTRALIA/NEW ZEALAND (240V) **Cord, Power (10A 250V) **Cable Assembly, MMJ LAN Conn 10FT BC16-E</p> <p>*KIT, SWISS COUNTRY(240V) **Cord, Power (10A 250V) **Cable Assembly, MMJ LAN Conn 10FT BC16-E **Documentation, "French Operator's Guide" **Documentation, "French Quick Ref. Guide" **Documentation, French Spine Set **Label, U/I (French) **Documentation, "German Operator's Guide" **Documentation, "German Quick Ref. Guide" **Documentation, German Spine Set **Label, U/I (German)</p> <p>*KIT, SWEDEN,FINLAND, NORWAY, PORTUGAL, CENTRAL EUROPE COUNTRY (220V) **Cord, Power (10A 250V) **Cable Assembly, MMJ LAN Conn 10FT BC16-E</p> <p>*KIT, BELGIUM, HOLLAND, FRANCE, LUXEMBOURG (220V) **Cord, Power (10A 250V) **Cable Assembly, MMJ LAN Conn 10FT BC16-E **Documentation, "French Operator's Guide" **Documentation, "French Quick Ref. Guide" **Documentation, French Spine Set **Label, U/I (French) **Documentation, "German Operator's Guide" **Documentation, "German Quick Ref. Guide" **Documentation, German Spine Set **Label, U/I (German) **Documentation, "Dutch Operator's Guide" **Documentation, "Dutch Quick Ref. Guide" **Documentation, Dutch Spine Set **Label, U/I (Dutch)</p>	<p>LN08X-KZ 17-00198-14 17-00811-02</p> <p>LN08X-MB 17-00210-13 17-00811-02 EK-3200P-OP EK-3200P-RF EK-3200P-SS 36-35182-03 EK-3200G-OP EK-3200G-RF EK-3200G-SS 36-35182-04</p> <p>LN08X-MC 17-00199-21 17-00811-02</p> <p>LN08X-MD 17-00199-21 17-00811-02 EK-3200P-OP EK-3200P-RF EK-3200P-SS 36-35182-03 EK-3200G-OP EK-3200G-RF EK-3200G-SS 36-35182-04 EK-3200H-OP EK-3200H-RF EK-3200H-SS 36-35182-07</p>		<p>B</p> <p>B</p> <p>B</p> <p>B</p>	

THIS PAGE INTENTIONALLY LEFT BLANK

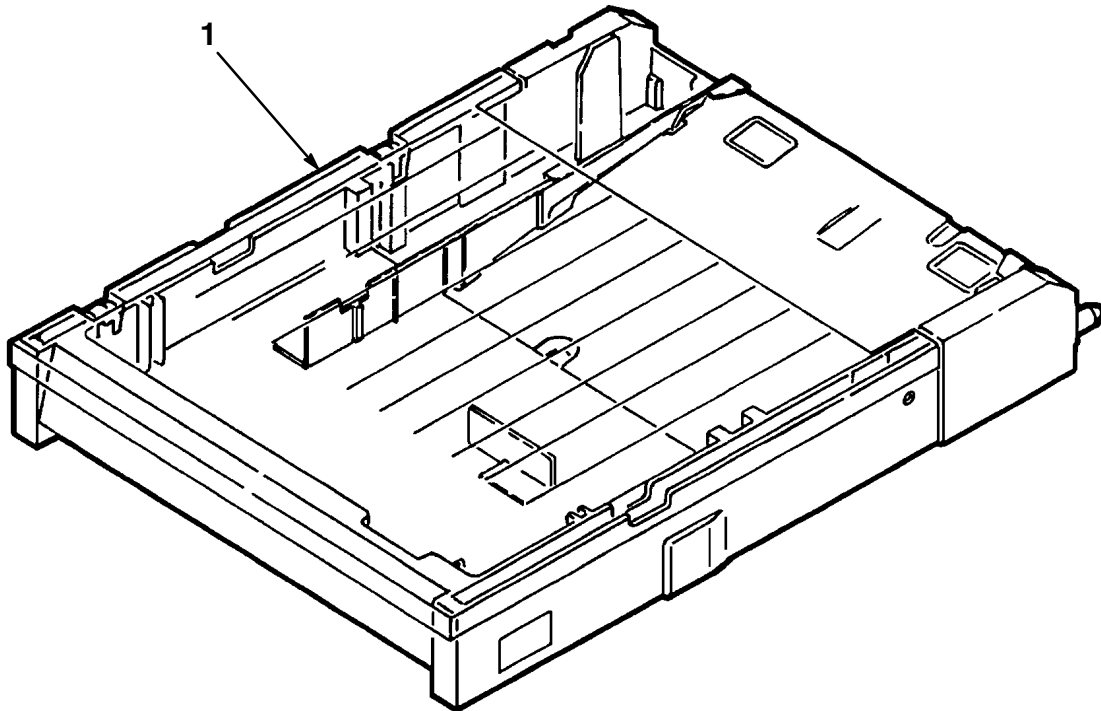


DL3200-02-SC

Figure 2. Covers

FIG. & ITEM NO.	DESCRIPTION	VENDOR PART NO.	DEC PART NO.	USED ON CODE	REF FIG NO.
2-	COVERS		N/A		1
1	*Cover, Top	48K83040			
	*Cover, Top	48K96562			
2	*Cover, Xerographic Module	48K99382			
3	*Cover, Right Side		29-29775-01		
4	*Cover, Lower Front	48K99372			
5	*Cover, Left Side (Exit)		29-29238-01		
6	*Panel, Rear	N/A			
7	*Baffle, Refeed		29-29239-01		
8	*Tray, Manual Feed	50K98650			

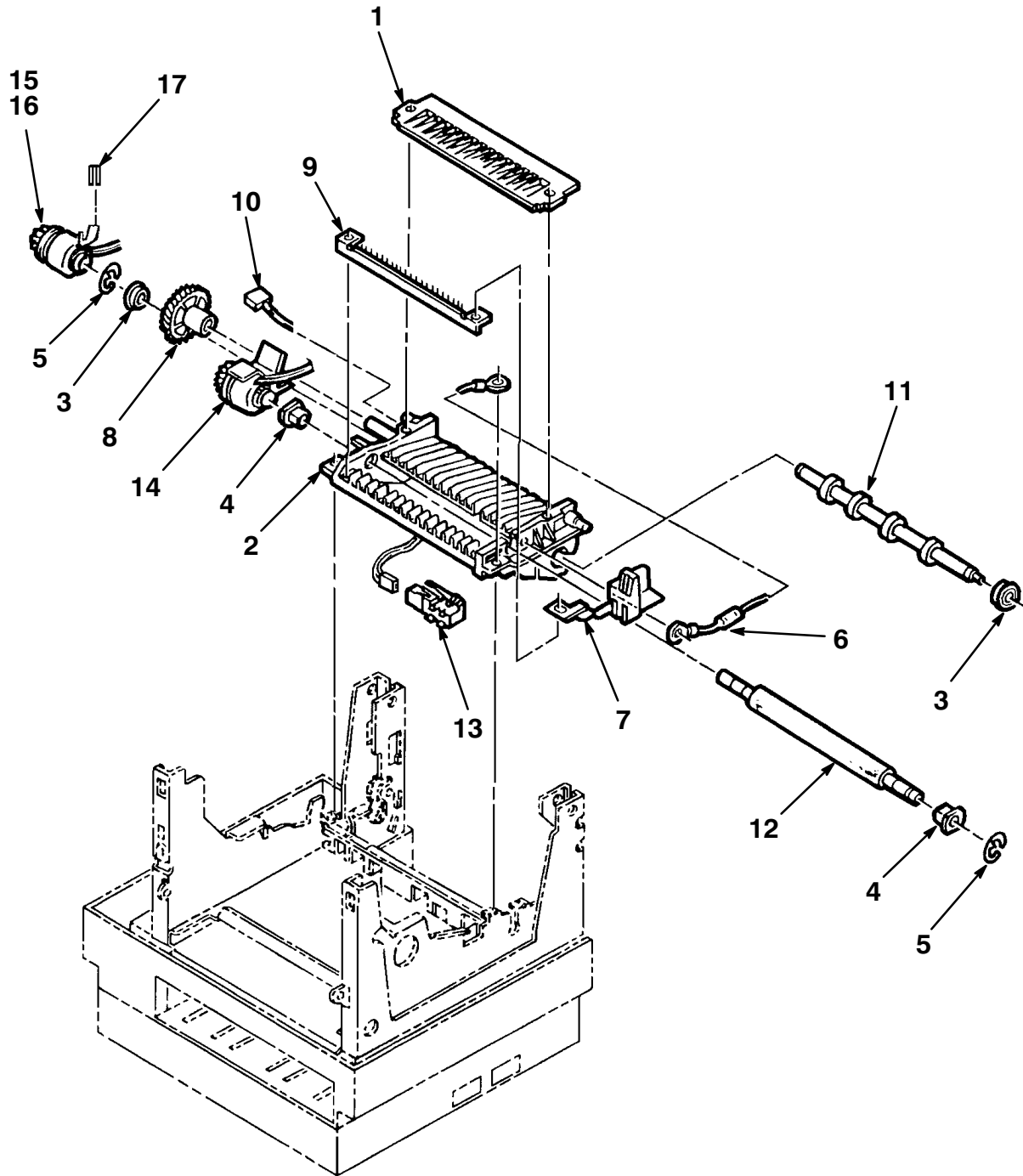
FIG. & ITEM NO.	DESCRIPTION	VENDOR PART NO.	DEC PART NO.	USED ON CODE	REF FIG NO.
3-	TRAYS, PAPER	N/A			1
1	*Tray, Paper Letter Size (8.5 x 11) *Tray, Paper Legal Size (8.5 x 14) *Tray, Paper (A4)		LN08X-TC LN08X-TB LN08X-TA		



DL3200-03-SC

Figure 3. Trays, Paper

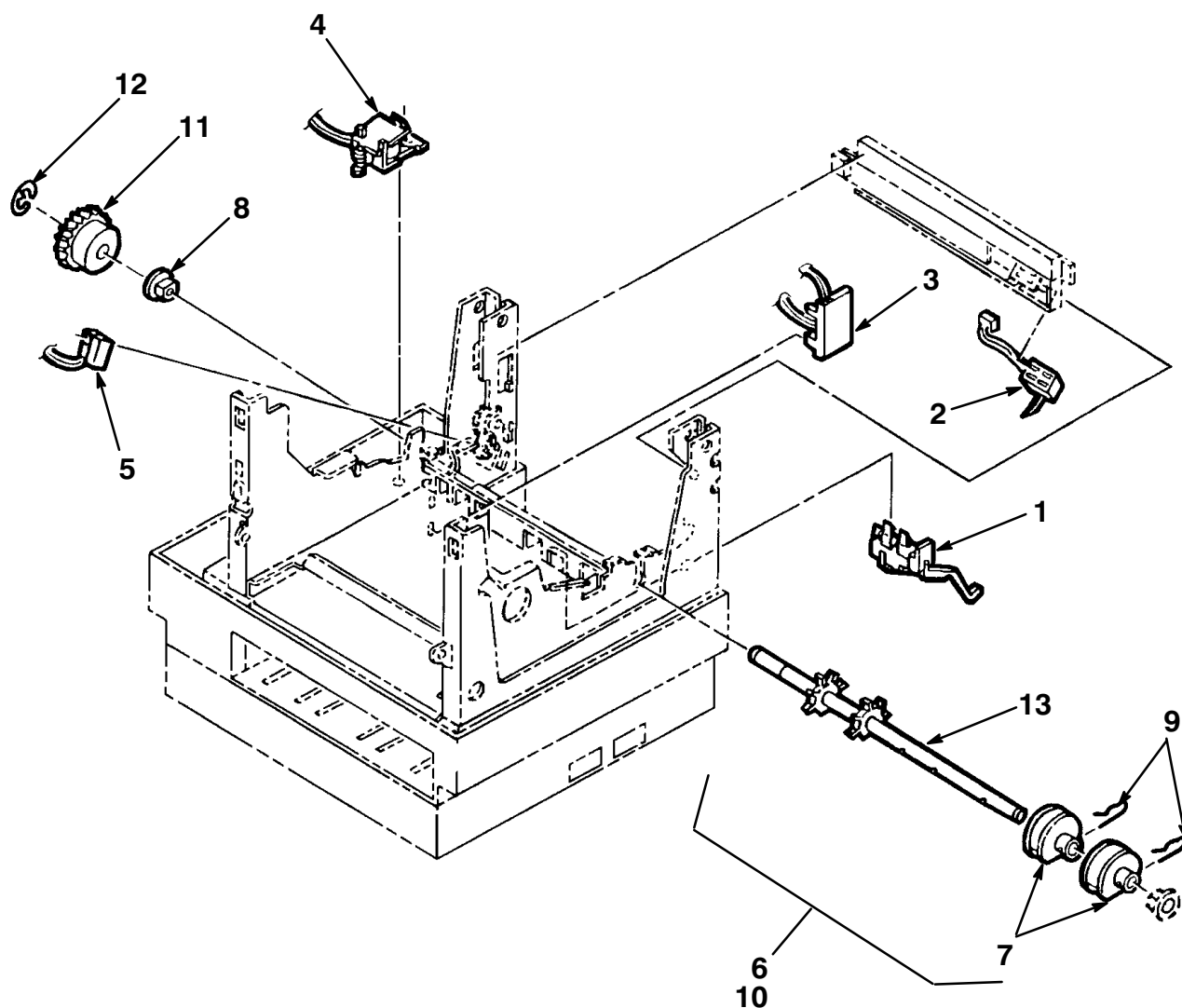
THIS PAGE INTENTIONALLY LEFT BLANK



DL3200-04-SC

Figure 4. Transport Assembly, Registration

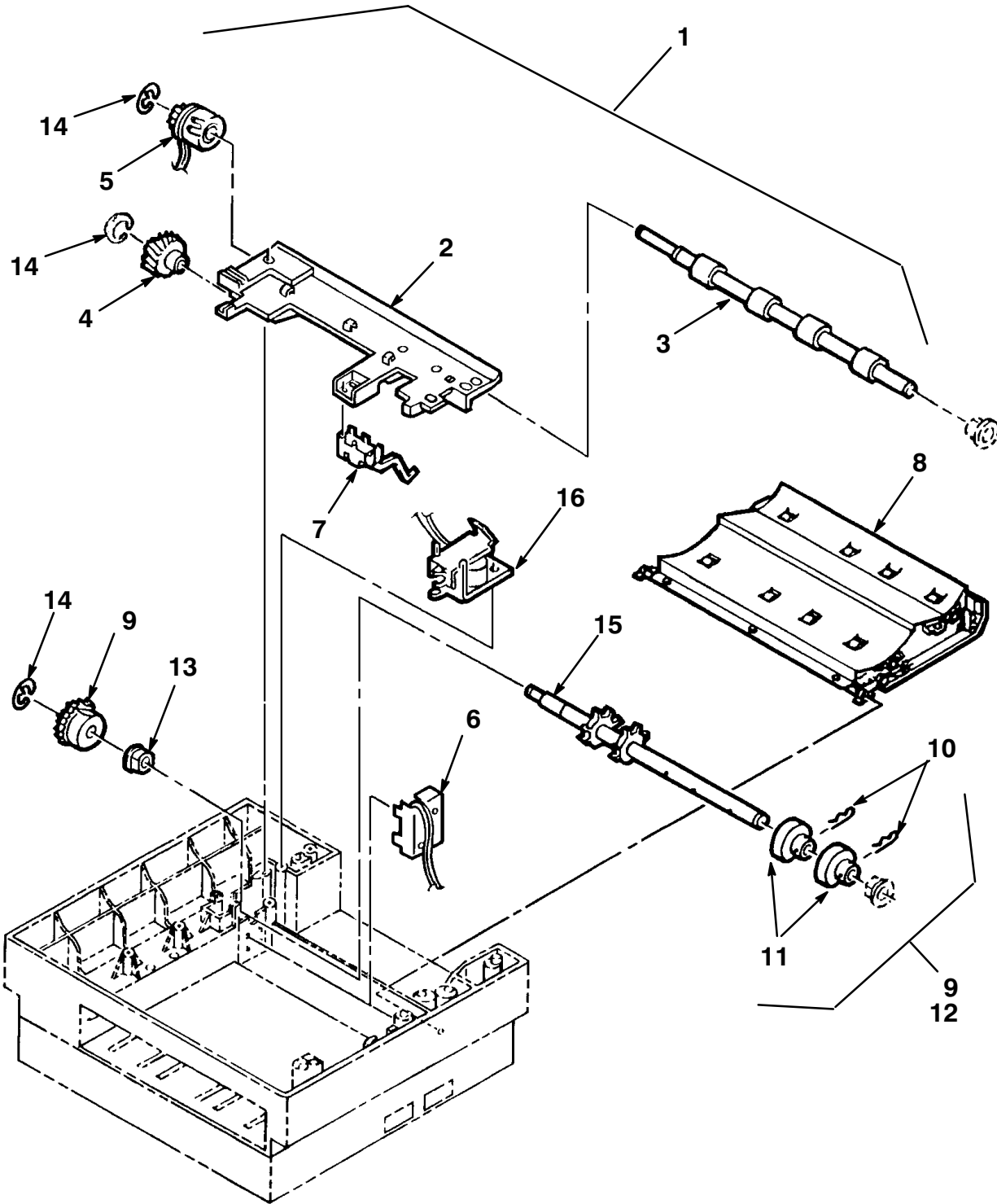
FIG. & ITEM NO.	DESCRIPTION	VENDOR PART NO.	DEC PART NO.	USED ON CODE	REF FIG NO.
4-	TRANSPORT ASSEMBLY, REGISTRATION		29-29236-01		
1	*Chute, Upper	N/A			
2	*Chute, Lower	N/A			
3	*Bearing	N/A			
4	*Bearing	N/A			
5	*E-Ring	N/A			
6	*Wire, Ground	N/A			
7	*Plate, Ground	N/A			
8	*Gear, Idler	N/A			
9	*Eliminator, Static	N/A			
10	*Harness	152K77070			
11	*Roller Assembly, Upper Turn	22K97130			
12	*Roller, Registration Transport	22K88891			
13	*Sensor, Preregistration		29-29265-01		
14	*Clutch, Registration Transport	121E96792			
15	*CLUTCH ASSEMBLY, UPPER TURN	121K98901			
16	**Clutch, Upper Turn	121E97942			
17	**Plate, Ground	N/A			



DL3200-04A-SC

Figure 4A. Paper Feed to Registration

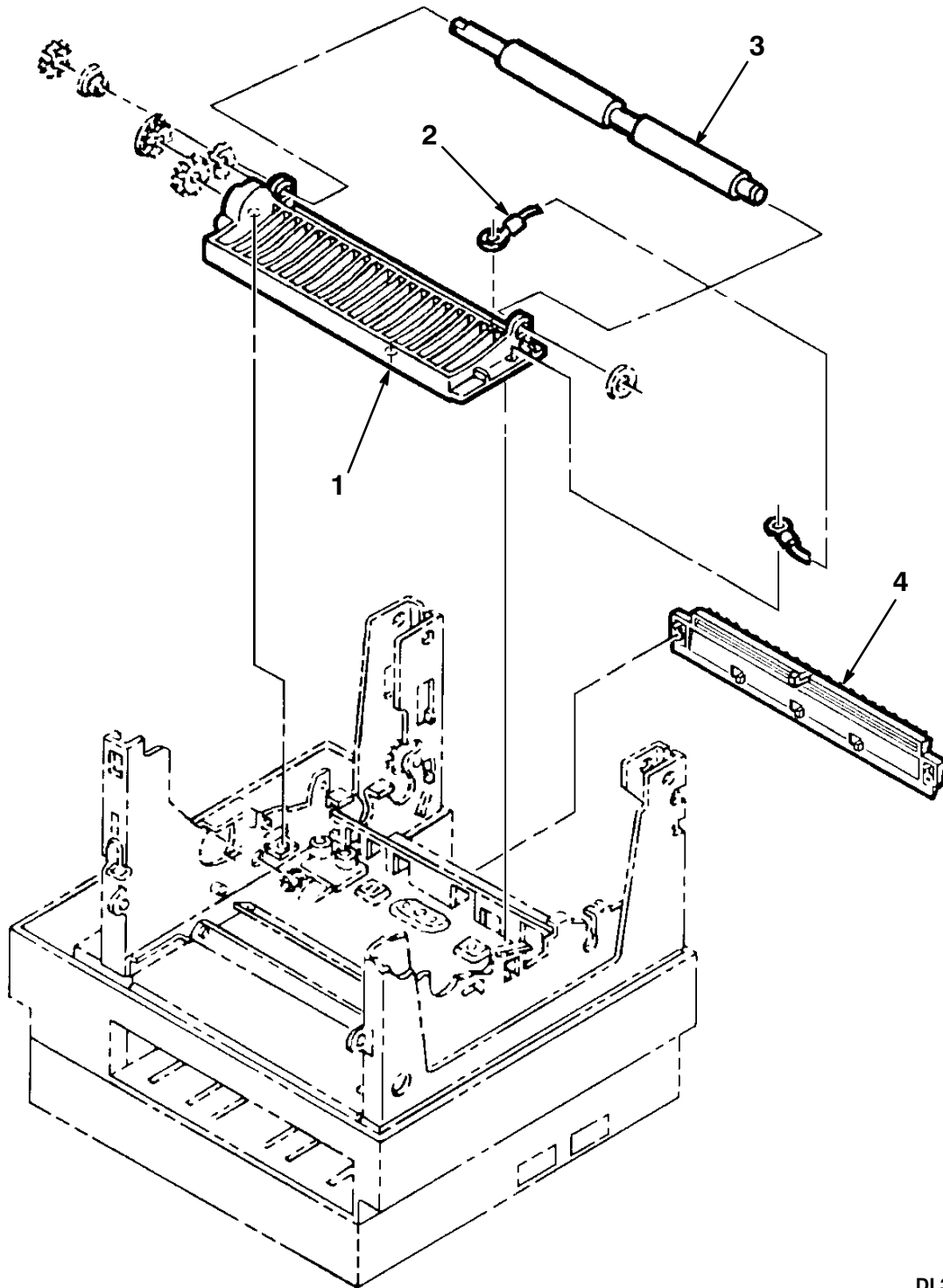
FIG. & ITEM NO.	DESCRIPTION	VENDOR PART NO.	DEC PART NO.	USED ON CODE	REF FIG NO.
4A-	PAPER FEED TO REGISTRATION	N/A			1
1	*Sensor, Upper Cassette Empty		29-29260-01		
2	*Sensor, Manual Feed By-Pass		29-29266-01		
3	*Sensing Assembly, Upper Paper Size		29-29267-01		
4	*Solenoid, Upper Feed		29-29254-01		
5	*Sensor, Top Door (Scanner) Interlock	110E96960	TBA		
6	*ROLLER ASSEMBLY, UPPER FEED	22K86512			
7	**Roller, Feed	22K97111			
8	**Bearing, D	13E95490			
9	**Clip, Feed Roller	N/A			
10	**CLUTCH ASSEMBLY, FEED	5K95672			
11	***Clutch, Spring	N/A			
12	***Ring, E	N/A			
13	***Shaft and Paddle, Feed	N/A			



DL3200-05-SC

Figure 5. Feed Assembly, Lower

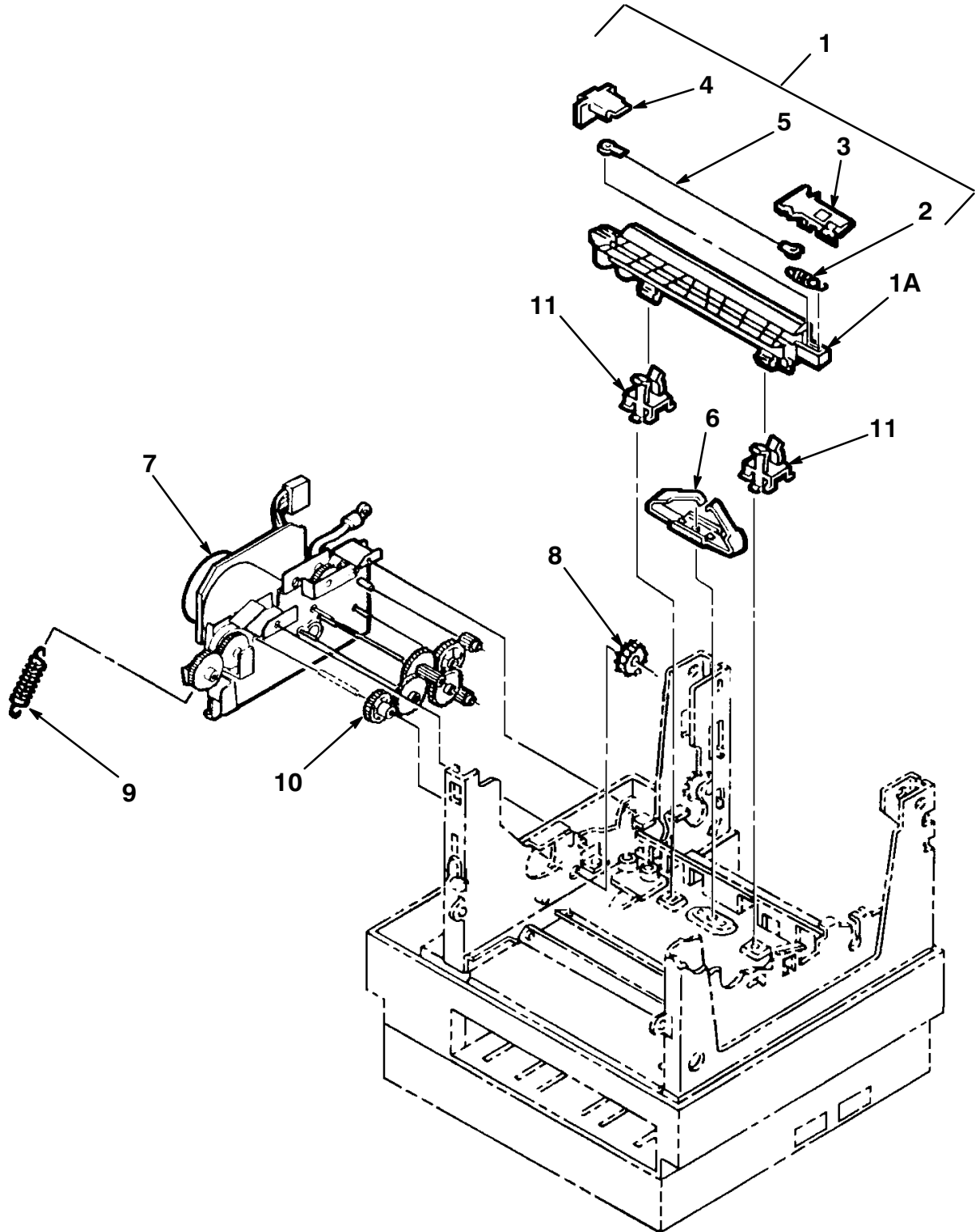
FIG. & ITEM NO.	DESCRIPTION	VENDOR PART NO.	DEC PART NO.	USED ON CODE	REF FIG NO.
5-	FEED ASSEMBLY, LOWER	N/A			1
1	*ROLLER CHUTE ASSEMBLY, LOWER TURN DRIVE		29-29241-01		
2	**Chute	N/A			
3	**Roller, Lower Turn Drive	N/A			
4	**Gear, Idler	N/A			
5	*Clutch, Lower Turn Drive Roller		29-29253-01		
6	*Sensor, Lower Paper Size		29-29268-01		
7	*Sensor, Lower Tray Empty		29-29260-01		
8	*Cover Assembly, Jam Access	48K95163			
9	*ROLLER/CLUTCH ASSEMBLY, LOWER FEED		29-29272-01		
10	**Clip, Feed Roller	N/A			
11	**Roller, Feed	22K97111			
12	**CLUTCH ASSEMBLY, FEED	5K95671			
13	***Bearing, D	13E95490			
14	***Ring, E	N/A			
15	*Shaft and Paddle, Feed	N/A			
16	*Solenoid, Lower Feed		29-29255-01		



DL3200-06-SC

Figure 6. Transport Assembly, Paper

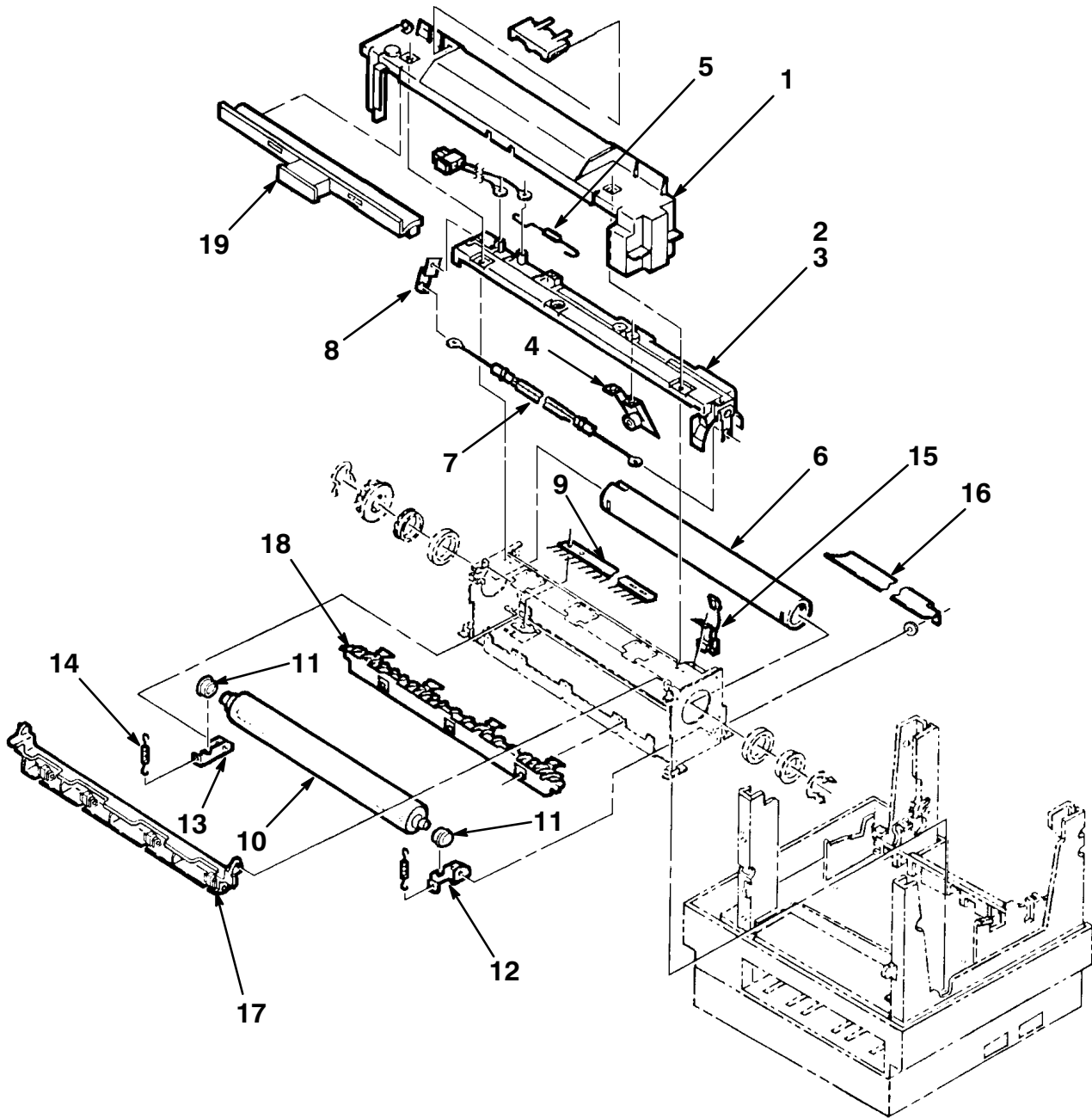
FIG. & ITEM NO.	DESCRIPTION	VENDOR PART NO.	DEC PART NO.	USED ON CODE	REF FIG NO.
6-	TRANSPORT ASSEMBLY, PAPER	N/A			
1	*TRANSPORT ASSEMBLY, PREFUSER		29-29244-01		
2	**Wire, Ground	N/A			
3	**Roller, Kick	N/A			
4	*Chute Assembly, Inlet	54E96880			



DL3200-07-SC

Figure 7. Main Drive Assembly / Transfer Corotron Assembly

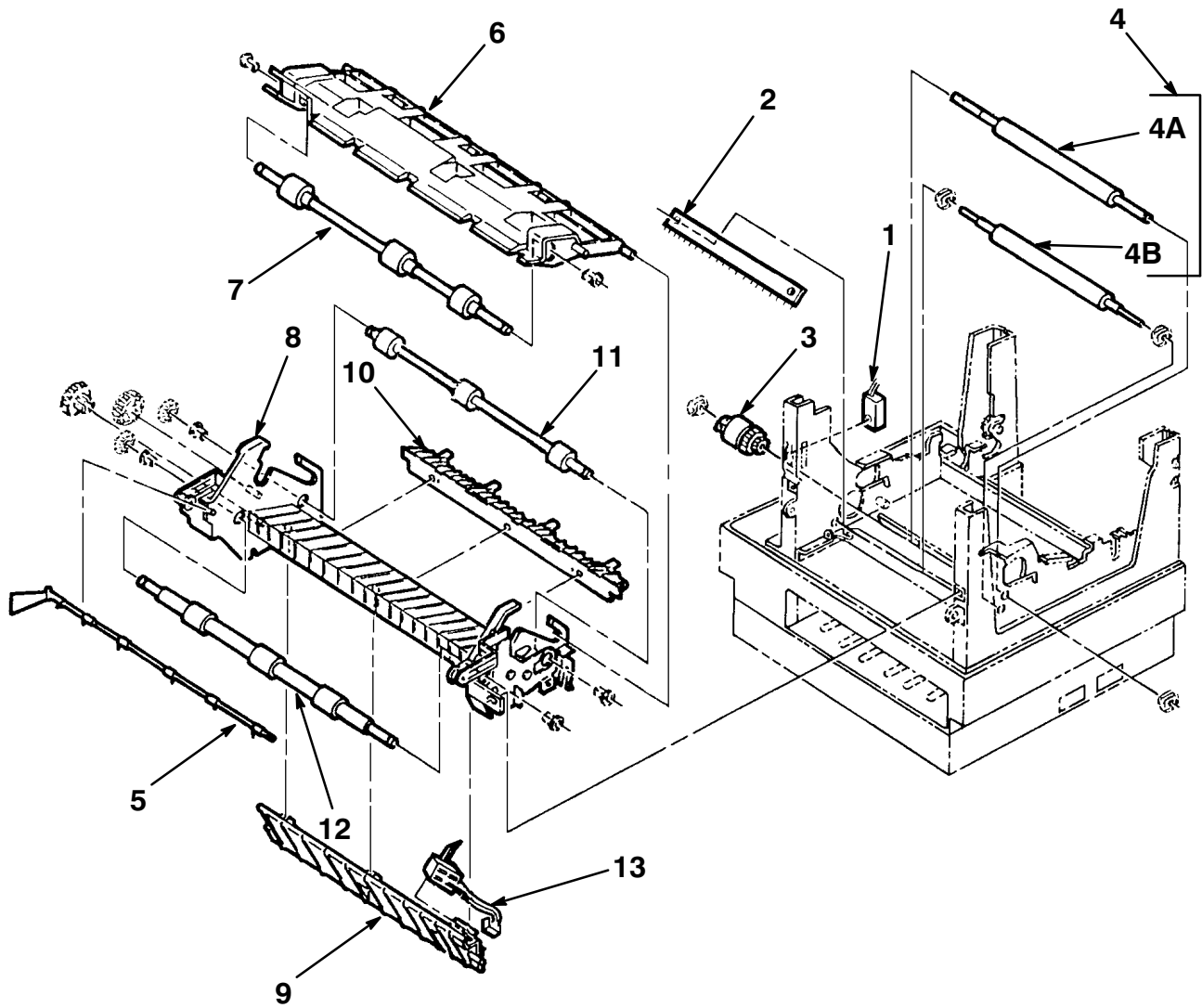
FIG. & ITEM NO.	DESCRIPTION	VENDOR PART NO.	DEC PART NO.	USED ON CODE	REF FIG NO.
7-	MAIN DRIVE ASSEMBLY/ TRANSFER COROTON ASSEMBLY	N/A			
1	*COROTRON ASSEMBLY, TRANSFER DETACK (See Note)		29-29257-01		
1A	**Corotron, Transfer Detack	N/A			
2	**Spring, Tension	N/A			
3	**Shield, Front Arc	N/A			
4	**Shield, Rear Arc	N/A			
5	**Wire Assembly, Corotron	117K91640			
6	*Spring, Ground	N/A			
7	*MOTOR ASSEMBLY, MAIN DRIVE		29-29305-01		
8	**Gear, Transport	N/A			
9	**Spring, Idler Tension	N/A			
10	**Drive Unit	7K96441			
11	*Clamp, Transfer Detack Corotron	30E74592			
	NOTE: Item 1 is included in the Developer Kit, Part Number LN08X-AC.				



DL3200-08-SC

Figure 8. Fuser Assembly

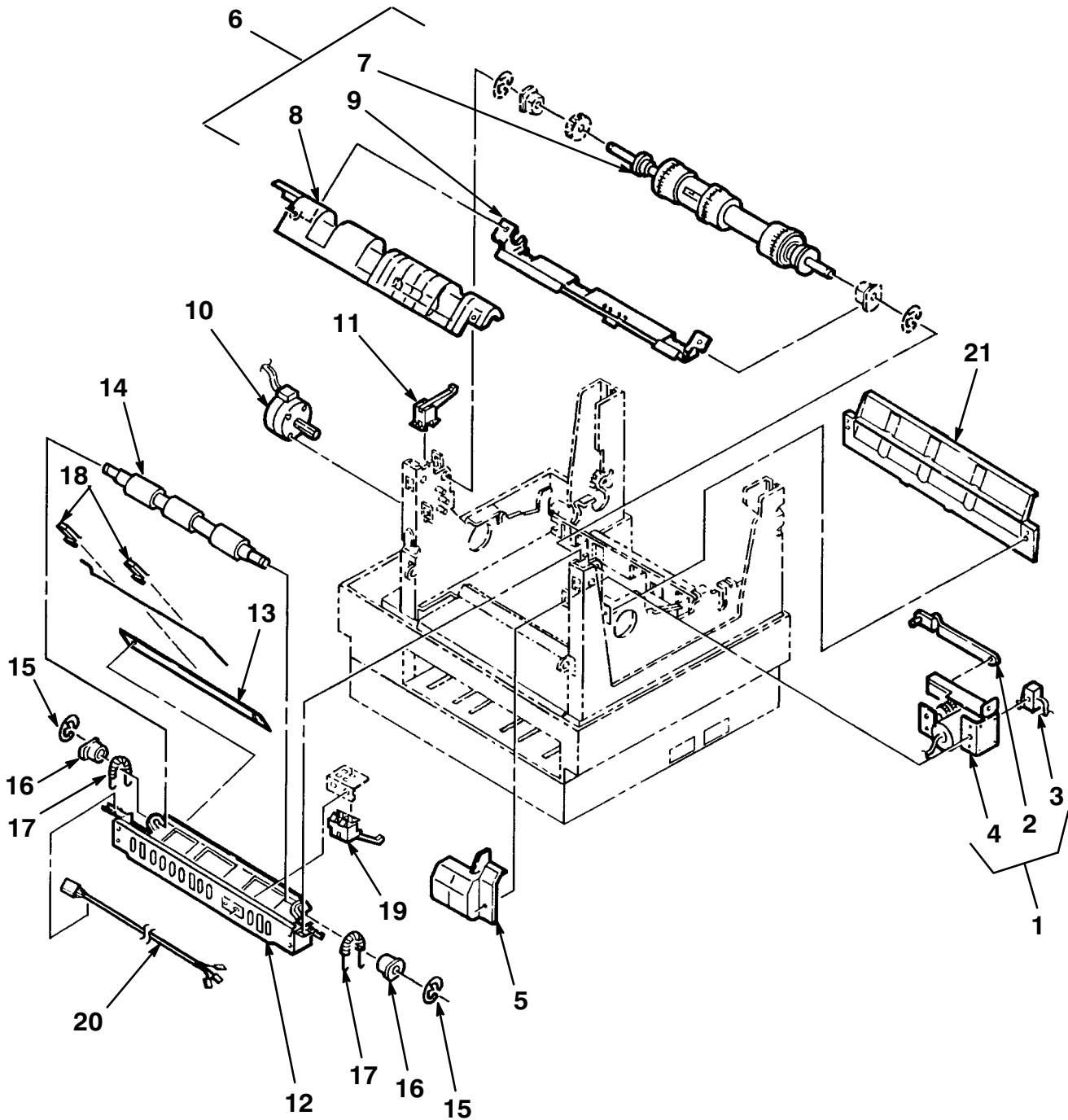
FIG. & ITEM NO.	DESCRIPTION	VENDOR PART NO.	DEC PART NO.	USED ON CODE	REF FIG NO.
8-	FUSER ASSEMBLY (110V) FUSER ASSEMBLY (220V)		29-29306-01 29-29307-01		
1	*Cover, Upper Heat	2K36330			
2	*COVER ASSEMBLY, LOWER HEAT	48K84371			
3	**Cover, Lower Heat	N/A			
4	**Thermostat	130K98370			
5	**Fuse, Thermo	N/A			
6	*Roller, Heat	59K95030			
7	*Rod, Heater (110V)	126K96440			
	*Rod, Heater (220V)	126K96450			
8	*Cover, Left Heat Rod	N/A			
9	*Eliminator, Static	N/A			
10	*Roller, Pressure	59K95020			
11	*Bearing, Pressure Roller	N/A			
12	*Arm, Pressure Roller (Right)	N/A			
13	*Arm, Pressure Roller (Left)	N/A			
14	*Spring, Fuser Tension	9E86150			
15	*Thermistor	130K99720			
16	*Inlet Chute	N/A			
17	*Fingers, Heat Roller Stripper	48K83780			
18	*Fingers, Pressure Roller Stripper	N/A			
19	*Pad, Fuser (See Note)		29-29247-01		
	MISCELLANEOUS PARTS (Not Shown)				
	*Spring, Ground (See Figure 11A, Item 7)	9E98650			
	NOTE: This part is included in the Photoreceptor Kit, DEC Part Number LN08X-AB.				



DL3200-09-SC

Figure 9. Baffle and Refeed Assembly

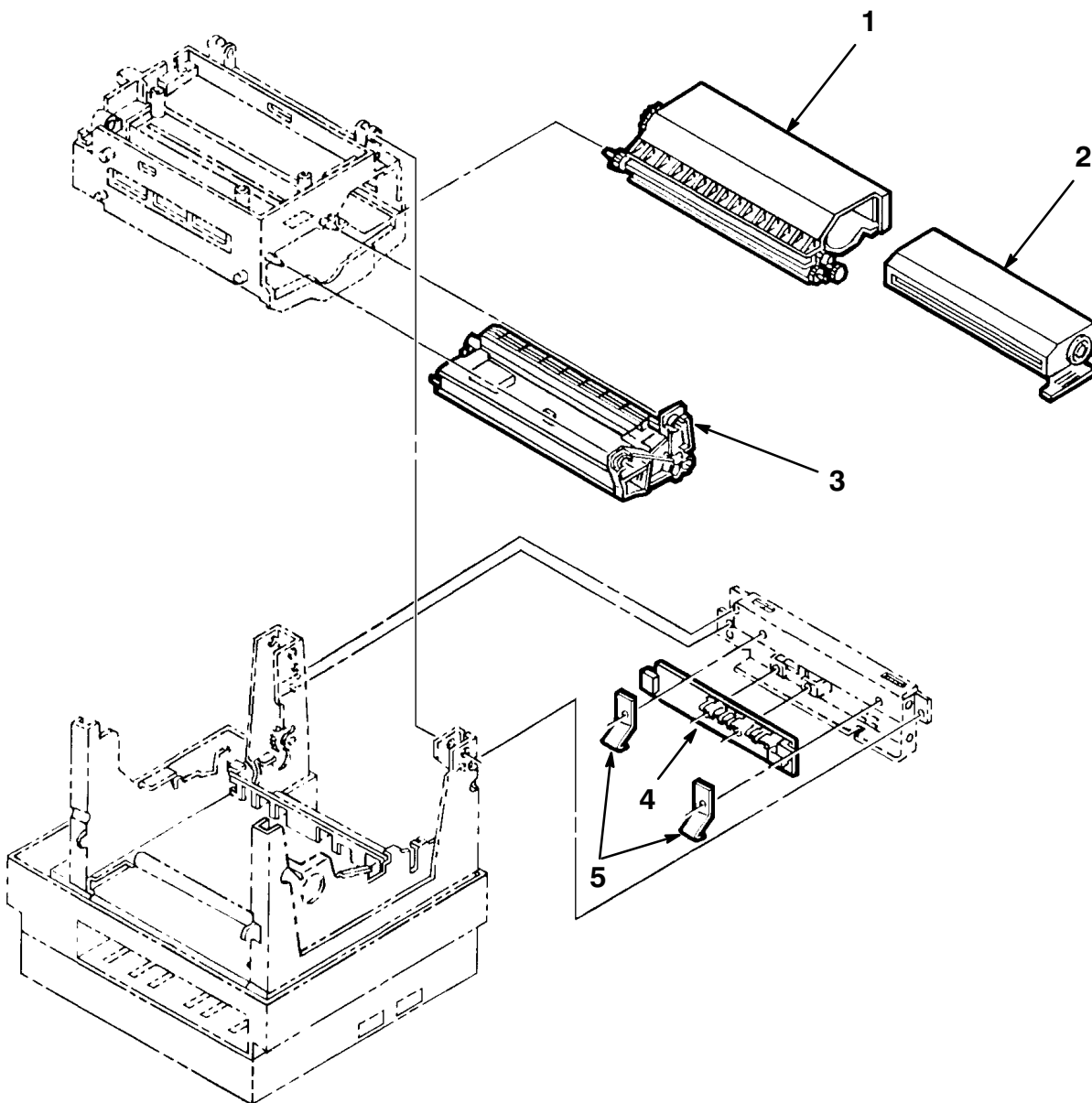
FIG. & ITEM NO.	DESCRIPTION	VENDOR PART NO.	DEC PART NO.	USED ON CODE	REF FIG NO.
9-	BAFFLE AND REFEED ASSEMBLY	N/A			
1	*Sensor, Exit Door		29-29264-01		
2	*Eliminator, Static	N/A			
3	*Clutch, Refeed Roller		29-29252-01		
4	*ROLLER ASSEMBLY, REFEED/PINCH & DRIVE		29-29235-01		
4A	**Roller, Drive (Refeed)	N/A			
4B	**Roller, Pinch (Refeed)	N/A			
5	*Gate, Sensor Linkage		29-29240-01		
6	*BAFFLE ASSEMBLY, UPPER		29-29242-01		
7	**Roller, Upper Baffle	N/A			
8	*BAFFLE ASSEMBLY, LOWER (Infeed)		29-29243-01		
9	**Chute, Infeed	N/A			
10	**Fingers, Pressure Stripper	N/A			
11	*Roller, Lower Baffle	22K87520			
12	*Roller, Infeed	22K86571			
13	*Sensor 1, Refeed		29-29263-01		



DL3200-10-SC

Figure 10. Paper Exit and Offset Assembly

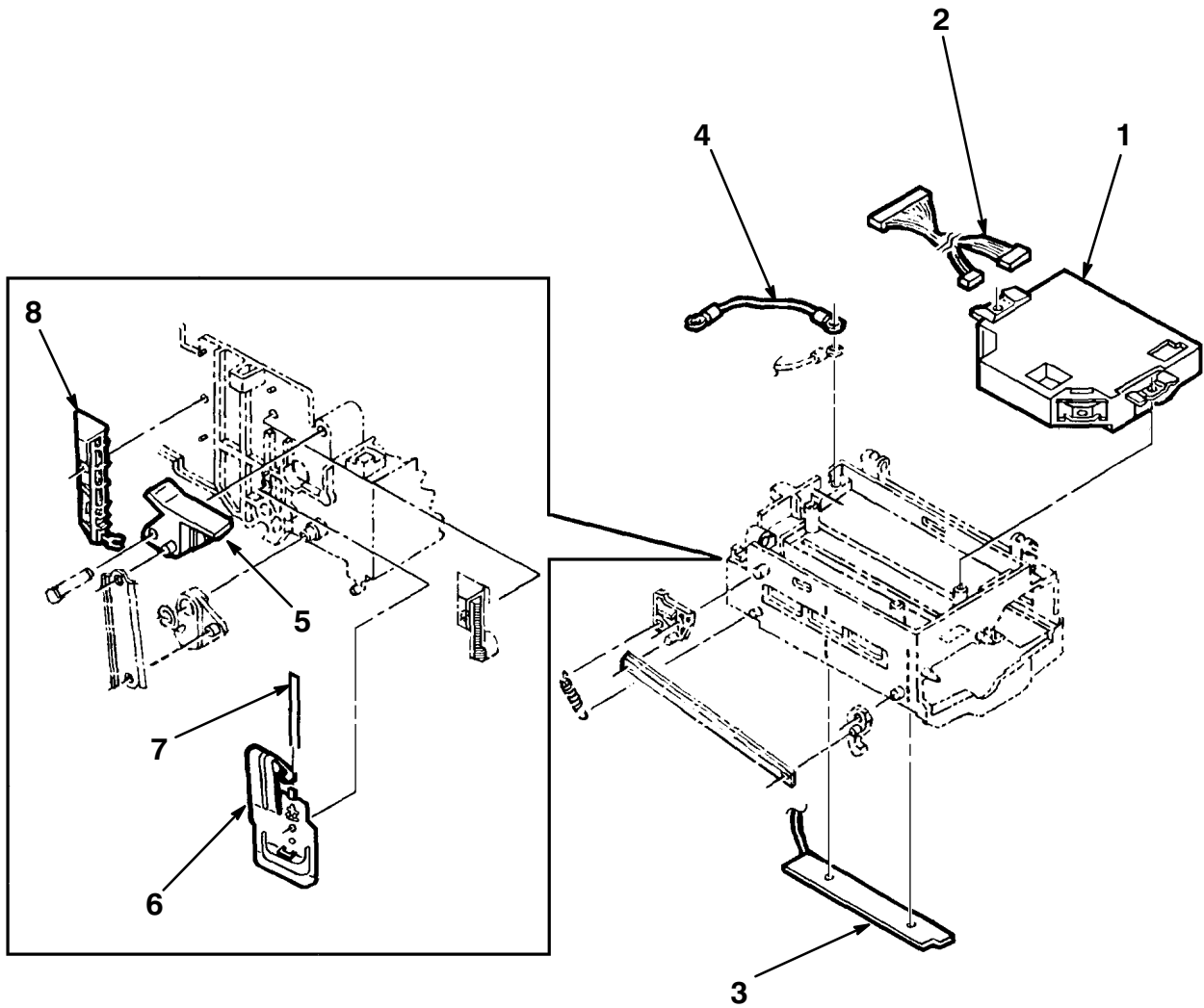
FIG. & ITEM NO.	DESCRIPTION	VENDOR PART NO.	DEC PART NO.	USED ON CODE	REF FIG NO.
10-	PAPER EXIT and OFFSET ASSEMBLY	N/A			
1	*MOTOR ASSEMBLY, OFFSET		29-29259-01		
2	**Arm, Offset	N/A			
3	**Switch	130E95821			
4	**Motor, Offset	N/A			
5	*Cover, Offset Motor	N/A			
6	*ROLLER ASSEMBLY, EXIT DRIVE		29-29705-01		
7	**Roller, Exit	N/A			
8	**Guard, Exit	N/A			
9	**Holder, Exit Roller	N/A			
10	*Motor, Exit		29-29258-01		
11	*Sensor, "Output Tray Full"		29-29262-01		
12	*ROLLER ASSEMBLY, EXIT PINCH		29-29237-01		
13	**Eliminator, Static	N/A			
14	**Roller, Exit Pinch	N/A			
15	**Ring, E (See Note)	N/A			
16	**Bearing	N/A			
17	**Spring (See Note)	N/A			
18	**Clamp, Full Stack	19E96891			
19	**Sensor, Exit		29-29261-01		
20	**Harness, Relay	117K99652			
21	*Cover, Reverse Back Stop	48E99410			
	NOTE: This part is included in the Miscellaneous Hardware Part Kit, Part Number 22-013441-01.				



DL3200-11-SC

Figure 11. XEROGRAPHIC Modules

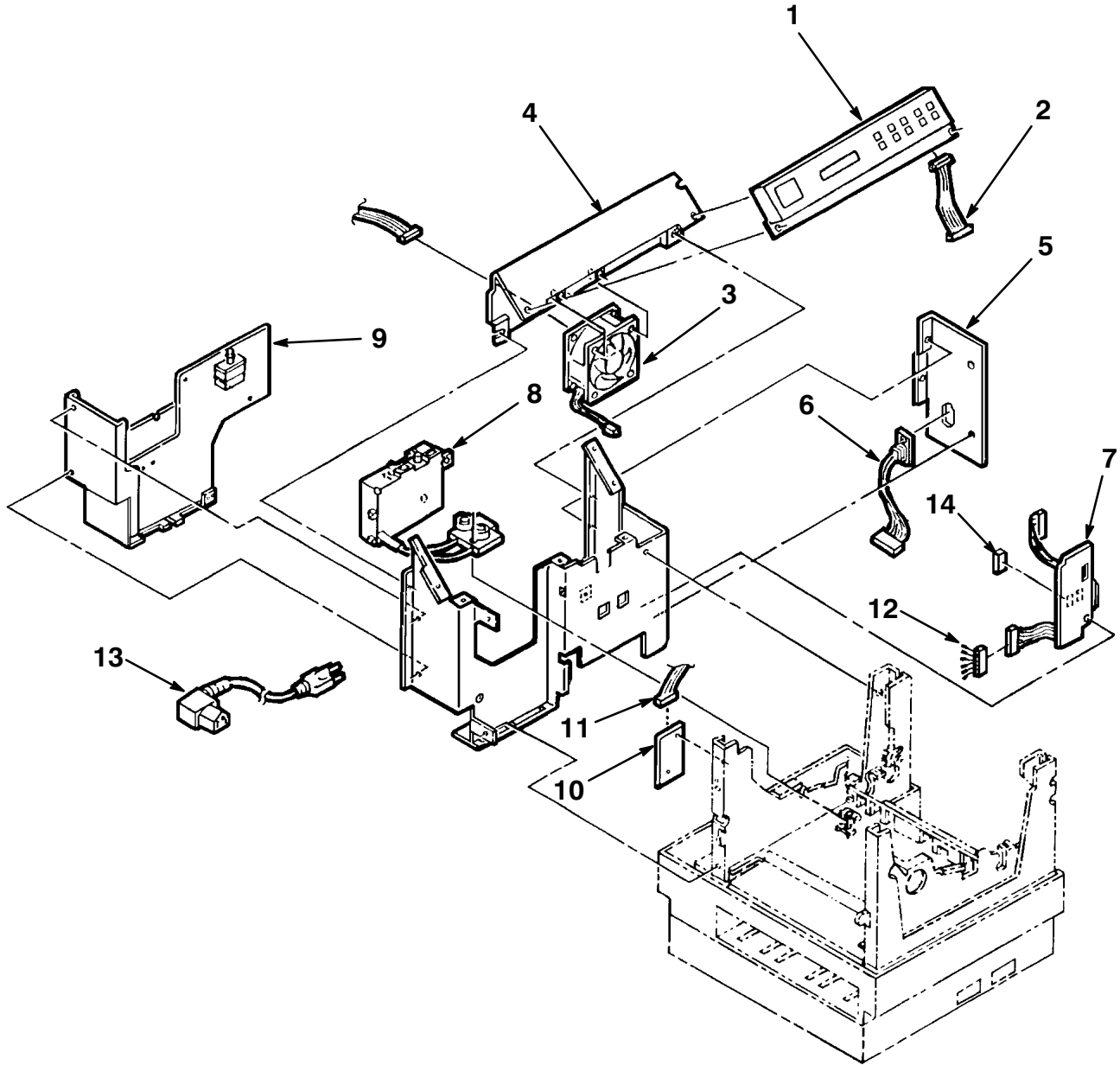
FIG. & ITEM NO.	DESCRIPTION	VENDOR PART NO.	DEC PART NO.	USED ON CODE	REF FIG NO.
11-	XEROGRAPHIC MODULES	N/A			
1	*Cartridge, Developer	N/A	(See Note 1)		
2	*Cartridge, Toner	N/A	(See Note 2)		
3	*Cartridge, Print	N/A	(See Note 3)		
4	*Module, Developer		29-29269-01		
5	*Spring, Latch	9E96800			
	<p>NOTE 1: Replacements available in Kit Form only – Developer Kit, DEC Part Number LN08X-AC. See page 5.</p>				
	<p>NOTE 2: Replacements available in Kit Form only – Toner Kit, DEC Part Number LN08X-AA. See page 5.</p>				
	<p>NOTE 3: Replacements available in Kit Form only – Photoreceptor Kit, DEC Part Number LN08X-AB. See page 5.</p>				



DL3200-11A-SC

Figure 11A. Laser Scanner Module Assembly

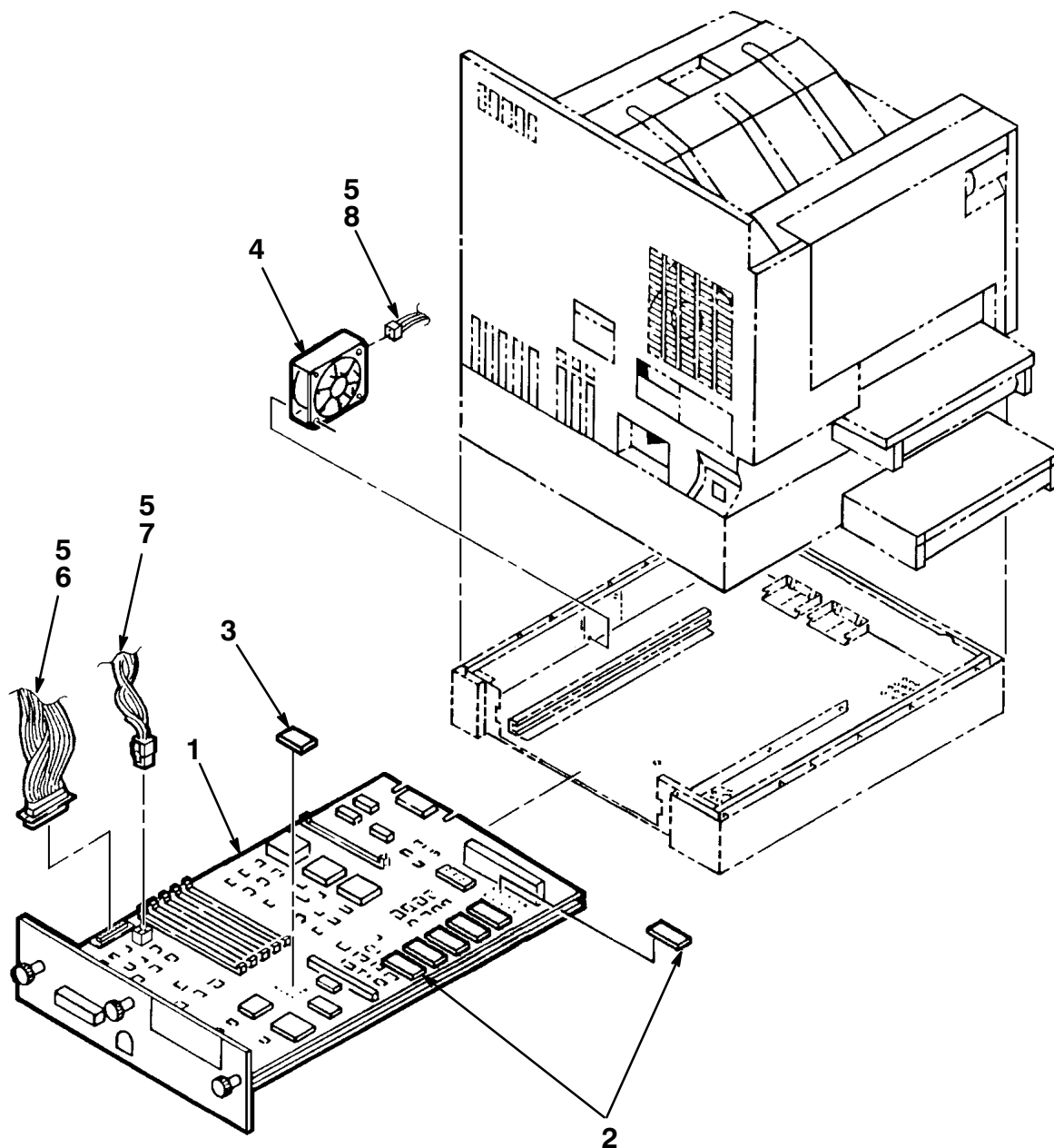
FIG. & ITEM NO.	DESCRIPTION	VENDOR PART NO.	DEC PART NO.	USED ON CODE	REF FIG NO.
11A-	LASER SCANNER MODULE ASSEMBLY	N/A			
1	*Laser/Scanner Assembly (110V) (See Note 1)		29-29245-01		
	*Laser/Scanner Assembly (220V)		29-29246-01		
2	*Harness Assembly, ROS and Erase	152K87142			
3	*Module, Erase		29-29256-01		
4	*Wire, Grounding	N/A			
5	*Lever, Top Cover Release	N/A			
6	*Spring, Ground	9E97800			
7	*Spring, Ground (See Note 2)	9E98650			
8	*Connector, BIAS	113K95280			
	<p>NOTE 1: The 220V version (29-29246-01) may be used as an alternative. The only difference is a German VDE regulatory label is included.</p> <p>NOTE 2: This part is included as part of the Fuser Assembly. Reference Figure 8.</p>				



DL3200-12-SC

Figure 12. Power Supply and Control Panel

FIG. & ITEM NO.	DESCRIPTION	VENDOR PART NO.	DEC PART NO.	USED ON CODE	REF FIG NO.
12-	POWER SUPPLY and CONTROL PANEL	N/A			
1	*Panel Assembly, Control		29-24248-01		
2	*Harness, Control Panel	152K87120			
3	*Fan, Fuser		12-36593-01		
4	*Frame, Control Panel	N/A			
5	*Panel Assembly, Back	48K98081			
6	*Harness, HCF (DC)	152K87110			
7	*Module Assembly, DC Control		29-29271-01		
8	*Power Supply Assembly, High Voltage		29-29251-01		
9	*Power Supply, Low Voltage (110V)		29-29249-01		
	*Power Supply, Low Voltage (220V)		29-29250-01		
10	*Module, Relay and Drive		29-29270-01		
11	*Harness, Relay and Drive	152K87131			
12	*Harness, I/O	152K77311			
13	*Cord, Power (See Note)	N/A			
14	*Module, NVM Page Count		29-29726-01		
	<p>NOTE: Shown for reference only. Refer to Figure 1 for Power Cord part number informaton.</p>				



DL3200-13-SC

Figure 13. Video Controller Module Assembly

FIG.& ITEM NO.	DESCRIPTION	VENDOR PART NO.	DEC PART NO.	USED ON CODE	REF FIG NO.
13-	VIDEO CONTROLLER MODULE ASSEMBLY *Module, Video Controller w/EPROMS *EPROM, MPU/IG *NVRAM IC, MPU/IG *Fan, Video Cooling *HARNESS ASSEMBLY **Harness, Control Panel **Harness, Power **Harness, Fan (Video)	N/A 733W3540 152K76644 152K76262 152K76262 152K76683	29-29308-01 29- TBA 12-36594-01		

Ω

PART NUMBER/DESCRIPTION INDEX 

INDEX BY DEC / VENDOR PART NUMBER

DEClaSer 3200/3250 Printer

PART NO.	DESCRIPTION	FIG NO.	ITEM NO.
110E96960	Sensor, Top Door (Scanner) Interlock	4A	5
113K95280	Connector, BIAS	11A	8
117K91640	Wire Assembly, Corotron	7	5
117K99652	Harness, Relay	10	20
12-36593-01	Fan, Fuser	12	3
12-36594-01	Fan, Video Cooling	13	4
121E96792	Clutch, Registration Transport	4	14
121E97942	Clutch, Upper Turn	4	16
121K98901	CLUTCH ASSEMBLY, UPPER TURN	4	15
126K96440	Rod, Heater (110V)	8	7
126K96450	Rod, Heater (220V)	8	7
130E95821	Switch	10	3
130K98370	Thermostat	8	4
130K99720	Thermistor	8	15
13E95490	Bearing, D	4A	8
13E95490	Bearing, D	5	13
152K76262	Harness, Control Panel	13	6
152K76262	Harness, Power	13	7
152K76644	HARNESS ASSEMBLY	13	5
152K76683	Harness, Fan (Video)	13	8
152K77070	Harness	4	10
152K77311	Harness, I/O	12	12
152K87110	Harness, HCF (DC)	12	6
152K87120	Harness, Control Panel	12	2
152K87131	Harness, Relay and Drive	12	11
152K87142	Harness Assembly, ROS and Erase	11A	2
17-00083-09	Cord, Power (US)	1	7
17-00198-14	Cord, Power (10A 250V)	1	Not Shown
17-00199-21	Cord, Power (10A 250V)	1	Not Shown
17-00209-15	Cord, Power (10A 250V)	1	Not Shown
17-00210-13	Cord, Power (10A 250V)	1	Not Shown
17-00310-08	Cord, Power Term. (10A 250V)	1	Not Shown
17-00364-18	Cord, Power (10A 250V)	1	Not Shown
17-00457-16	Cord, Power (10A 250V)	1	Not Shown
17-00811-02	Cable Assembly, MMJ LAN Conn 10 FT BC16-E	1	Not Shown
17-01364-01	Cable Assembly, 6 Cond Shielded 10FT MMJ	1	Not Shown
19E96891	Clamp, Full Stack	10	18
22-01341-01	Kit, Miscellaneous Hardware Parts	1	Not Shown
22K86512	ROLLER ASSEMBLY, UPPER FEED	4A	6
22K86571	Roller, Infeed	9	12
22K87520	Roller, Lower Baffle	9	11
22K88891	Roller, Registration Transport	4	12
22K97111	Roller, Feed	5	11
22K97111	Roller, Feed	4A	7
22K97130	Roller Assembly, Upper Turn	4	11
29- TBA	EPROM, MPU/IG	13	2
29-24248-01	Panel Assembly, Control	12	1
29-29235-01	ROLLER ASSEMBLY, REFEED PINCH & DRIVE	9	4
29-29236-01	TRANSPORT ASSEMBLY, REGISTRATION	4	N/A
29-29237-01	ROLLER ASSEMBLY, EXIT PINCH	10	12

INDEX BY DEC / VENDOR PART NUMBER

DEC Laser 3200/3250 Printer

PART NO.	DESCRIPTION	FIG NO.	ITEM NO.
29-29238-01	Cover, Left Side (Exit)	2	5
29-29238-01	COVER LEFT SIDE (Exit)	1	8
29-29239-01	Baffle, Refeed	2	7
29-29240-01	Gate, Sensor Linkage	9	5
29-29241-01	ROLLER CHUTE ASSEMBLY, LOWER TURN DRIVE	5	1
29-29242-01	BAFFLE ASSEMBLY, UPPER	9	6
29-29243-01	BAFFLE ASSEMBLY, LOWER (Infeed)	9	8
29-29244-01	TRANSPORT ASSEMBLY, PREFUSER	6	1
29-29245-01	Laser/Scanner Assembly (110V)	11A	1
29-29246-01	Laser/Scanner Assembly (220V)	11A	1
29-29247-01	Pad, Fuser Cleaning	1	Not Shown
29-29247-01	Pad, Fuser	8	19
29-29248-01	Panel, Control	1	2
29-29249-01	Power Supply, Low Voltage (110V)	12	9
29-29250-01	Power Supply, Low Voltage (220V)	12	9
29-29251-01	Power Supply Assembly, High Voltage	12	8
29-29252-01	Clutch, Refeed Roller	9	3
29-29253-01	Clutch, Lower Turn Drive Roller	5	5
29-29254-01	Solenoid, Upper Feed	4A	4
29-29255-01	Solenoid, Lower Feed	5	16
29-29256-01	Module, Erase	11A	3
29-29257-01	COROTRON ASSEMBLY, TRANSFER DETACK	7	1
29-29258-01	Motor, Exit	10	10
29-29259-01	MOTOR ASSEMBLY, OFFSET	10	1
29-29260-01	Sensor, Lower Tray Empty	5	7
29-29260-01	Sensor, Upper Cassette Empty	4A	1
29-29261-01	Sensor, Exit	10	19
29-29262-01	Sensor, "Output Tray Full"	10	11
29-29263-01	Sensor 1, Refeed	9	13
29-29264-01	Sensor, Exit Door	9	1
29-29265-01	Sensor, Preregistration	4	13
29-29266-01	Sensor, Manual Feed By-Pass	4A	2
29-29267-01	Sensing Assembly, Upper Paper Size	4A	3
29-29268-01	Sensor, Lower Paper Size	5	6
29-29269-01	Module, Developer	11	4
29-29270-01	Module, Relay and Drive	12	10
29-29271-01	Module Assembly, DC Control	12	7
29-29272-01	ROLLER/CLUTCH ASSEMBLY, LOWER FEED	5	9
29-29305-01	MOTOR ASSEMBLY, MAIN DRIVE	7	7
29-29306-01	FUSER ASSEMBLY (110V)	8	N/A
29-29307-01	FUSER ASSEMBLY (220V)	8	N/A
29-29308-01	Module, Video Controller w/EPROMS	13	1
29-29704-01	Door Assembly, Right Cover Feed	1	11
29-29705-01	ROLLER ASSEMBLY, EXIT DRIVE	10	6
29-29726-01	Module, NVM Page Count	12	14
29-29775-01	COVER, RIGHT SIDE	1	3
29-29775-01	Cover, Right Side	2	3
2K36330	Cover, Upper Heat	8	1
30- TBA -01	Printer, Laser S/DPX LN08 (120V 60 Hz)	1	1
30- TBA- 02	Printer, Laser S/DPX LN08 (220V 50 Hz)	1	1
30E74592	Clamp, Transfer Detack Corotron	7	11

INDEX BY DEC / VENDOR PART NUMBER

DECleraser 3200/3250 Printer

PART NO.	DESCRIPTION	FIG NO.	ITEM NO.
36-35182-03	Label, U/I (French)	1	Not Shown
36-35182-04	Label, U/I (German)	1	Not Shown
36-35182-05	Label, U/I (Spanish)	1	Not Shown
36-35182-07	Label, U/I (Dutch)	1	Not Shown
48E99410	Cover, Reverse Back Stop	10	21
48K83040	Cover, Top	2	1
48K83780	Fingers, Heat Roller Stripper	8	17
48K84371	COVER ASSEMBLY, LOWER HEAT	8	2
48K95163	Cover Assembly, Jam Access	5	8
48K96562	Cover, Top	2	1
48K98081	Panel Assembly, Back	12	5
48K99372	Cover, Lower Front	2	4
48K99382	Cover, Xerographic Module	2	2
50K98650	Tray, Manual Feed	2	8
54E96880	Chute Assembly, Inlet	6	4
59K95020	Roller, Pressure	8	10
59K95030	Roller, Heat	8	6
5K95671	CLUTCH ASSEMBLY, FEED	5	12
5K95672	CLUTCH ASSEMBLY, FEED	4A	10
733W3540	NVRAM IC, MPU/IG	13	3
7K96441	Drive Unit	7	10
9E86150	Spring, Fuser Tension	8	14
9E96800	Spring, Latch	11	5
9E97800	Spring, Ground	11A	6
9E98650	Spring, Ground	8	Not Shown
9E98650	Spring, Ground	11A	7
BC19M-10	Cable, 10 Ft for PC Parallel Printer	1	Not Shown
EK-3200G-OP	Documentation, "German Operator's Guide"	1	Not Shown
EK-3200G-RF	Documentation, "German Quick Ref. Guide"	1	Not Shown
EK-3200G-SS	Documentation, German Spine Set	1	Not Shown
EK-3200H-OP	Documentation, "Dutch Operator's Guide"	1	Not Shown
EK-3200H-RF	Documentation, "Dutch Quick Ref. Guide"	1	Not Shown
EK-3200H-SS	Documentation, Dutch Spine Set	1	Not Shown
EK-3200P-OP	Documentation, "French Operator's Guide"	1	Not Shown
EK-3200P-RF	Documentation, "French Quick Ref. Guide"	1	Not Shown
EK-3200P-RF	Documentation, "French Quick Ref. Guide"	1	Not Shown
EK-3200P-SS	Documentation, French Spine Set	1	Not Shown
EK-3200S-OP	Documentation, "Spanish Operator's Guide"	1	Not Shown
EK-3200S-RF	Documentation, "Spanish Quick Ref. Guide"	1	Not Shown
EK-3200S-SS	Documentation, Spanish Spine Set	1	Not Shown
EK-D3200-DK	DOCUMENTATION KIT, PRINTER	1	Not Shown
EK-D32PS-IN	Documentation, DECleraser 3200 Printer/SIMM Installation Guide	1	Not Shown
EK-DC32P-IN	Documentation, DECleraser 3200 Printer/Install. Guide (Multi-lingual)	1	Not Shown
EK-DC32P-OP	Documentation, DECleraser 3200 Printer/Operator Guide (English)	1	Not Shown
EK-DEC32-OG	Documentation, DECleraser 3200 Printer/PostScript Option Installation Guide	1	Not Shown
EK-DEC32-RF	Docum., Printer/Operator's Quick Reference Guide	1	Not Shown

INDEX BY DEC / VENDOR PART NUMBER

DEC Laser 3200/3250 Printer

PART NO.	DESCRIPTION	FIG NO.	ITEM NO.
H8673-AA	Converter, 20 mA Active Host Mate-N-Lok to EIA-423 DECconnect MMJ Passive	1	Not Shown
H8673-AB	Converter, 20 mA Active Host RJ11 (6 Pin) to EIA-423 DECconnect MMJ Passive	1	Not Shown
LAXXS-AE	Table, Laser (45 Inch x 22 Inch)	1	Not Shown
LN08-A3	PRINTER (w/MMJ Cable & English User Documentation - No Power Cord) (220V 50 Hz)	1	N/A
LN08-CA	PRINTER (w/MMJ Cable, USA Power Cord and English User Documentation) (120V 60 Hz)	1	N/A
LN08R-UA	Kit, PostScript Upgrade w/CPS License	1	Not Shown
LN08U-UA	Kit, PostScript Upgrade w/o CPS License	1	Not Shown
LN08X-AA	KIT, TONER CARTRIDGE	1	Not Shown
LN08X-AB	KIT, PHOTORECEPTOR	1	Not Shown
LN08X-AC	KIT, DEVELOPER	1	Not Shown
LN08X-CA	Font Cartridge, C.G. Times	1	Not Shown
LN08X-CB	Font Cartridge, C.G. Triumvirate	1	Not Shown
LN08X-CC	Font Cartridge, ITC Souvenir/Embassy Script	1	Not Shown
LN08X-CD	Font Cartridge, Monospaced Fonts	1	Not Shown
LN08X-CF	Font Cartridge, Blank (256K)	1	Not Shown
LN08X-CG	Font Cartridge, Blank (512K)	1	Not Shown
LN08X-CH	Font Cartridge, WordPerfect PCL	1	Not Shown
LN08X-CI	Font Cartridge, Microsoft PCL	1	Not Shown
LN08X-KD	KIT, DENMARK COUNTRY (220V)	1	Not Shown
LN08X-KE	KIT, UK/IRELAND COUNTRY (240V)	1	Not Shown
LN08X-KG	KIT, GERMAN/AUSTRIA COUNTRY (220V)	1	Not Shown
LN08X-KI	KIT, ITALIAN COUNTRY (220V)	1	Not Shown
LN08X-KS	KIT, SPANISH COUNTRY (220V)	1	Not Shown
LN08X-KT	KIT, ISRAEL (240V)	1	Not Shown
LN08X-KZ	KIT, AUSTRALIA/NEW ZEALAND (240V)	1	Not Shown
LN08X-MB	KIT, SWISS COUNTRY (240V)	1	Not Shown
LN08X-MC	KIT, SWEDEN, FINLAND, NORWAY, PORTUGAL, CENTRAL EUROPE COUNTRY (220V)	1	Not Shown
LN08X-MD	KIT, BELGIUM, HOLLAND, FRANCE, LUXEMBOURG (220V)	1	Not Shown
LN08X-PS	Module, PostScript Upgrade	1	Not Shown
LN08X-TA	Tray, A4 Size Paper Input	3	1
LN08X-TA	Tray, A4 Size Paper Input	1	Not Shown
LN08X-TA	TRAYS, UPPER and LOWER PAPER	1	4
LN08X-TB	Tray, Legal Size Paper (8.5 x 14)	1	Not Shown
LN08X-TB	Tray, Legal Size Paper (8.5 x 14)	3	1
LN08X-TB	TRAYS, UPPER and LOWER PAPER	1	4
LN08X-TC	TRAYS, UPPER and LOWER PAPER	1	4
LN08X-TC	Tray, Letter Size Paper (8.5 x 11)	1	Not Shown
LN08X-TC	Tray, Letter Size Paper (8.5 x 11)	3	1
LN08X-TD	Tray, Adjustable Size Paper	1	Not Shown
LN08X-TE	Feeder, Multi-Media Paper	1	Not Shown
LN08X-TF	Tray, Letter Size Large Capacity	1	Not Shown
LN08X-TG	Tray, A4 Size Large Capacity	1	Not Shown
LN08X-UC	Module, 2 MB RAM Upgrade	1	Not Shown
LN08X-UD	Module, Numeric Co-Processor	1	Not Shown
TBA	Card, FTZ German EMI Registration	1	Not Shown

INDEX BY DEC / VENDOR PART DESCRIPTION

DEC/Claser 3200/3250 Printer

DESCRIPTION	DEC PART NO.	FIG. NO.	ITEM NO.
Arm, Offset	N/A	10	2
Arm, Pressure Roller (Left)	N/A	8	13
Arm, Pressure Roller (Right)	N/A	8	12
BAFFLE AND REFEED ASSEMBLY	N/A	9	N/A
BAFFLE ASSEMBLY, LOWER (Infeed)	29-29243-01	9	8
BAFFLE ASSEMBLY, UPPER	29-29242-01	9	6
Baffle, Refeed	29-29239-01	2	7
Bearing	N/A	10	16
Bearing	N/A	4	4
Bearing	N/A	4	3
Bearing, D	13E95490	5	13
Bearing, D	13E95490	4A	8
Bearing, Pressure Roller	N/A	8	11
Brush, T/D Cleaning	N/A	1	Not Shown
Cable Assembly, 6 Cond Shielded 10 FT MMJ	17-01364-01	1	Not Shown
Cable Assembly, MMJ LAN Conn 10 FT BC16-E	17-00811-02	1	Not Shown
Cable, 10 Ft for PC Parallel Printer	BC19M-10	1	Not Shown
Card, FTZ German EMI Registration	TBA	1	Not Shown
Cartridge, Developer	N/A	11	1
Cartridge, Developer	N/A	1	Not Shown
Cartridge, OPC	N/A	1	Not Shown
Cartridge, Print	N/A	11	3
Cartridge, Toner	N/A	11	2
Cartridge, Toner	N/A	1	Not Shown
Cartridge, Toner (2 per Kit)	N/A	1	Not Shown
Chute	N/A	5	2
Chute Assembly, Inlet	54E96880	6	4
Chute, Infeed	N/A	9	9
Chute, Lower	N/A	4	2
Chute, Upper	N/A	4	1
Clamp, Full Stack	19E96891	10	18
Clamp, Transfer Detack Corotron	30E74592	7	11
Clip, Feed Roller	N/A	4A	9
Clip, Feed Roller	N/A	5	10
CLUTCH ASSEMBLY, FEED	5K95671	5	12
CLUTCH ASSEMBLY, FEED	5K95672	4A	10
CLUTCH ASSEMBLY, UPPER TURN	121K98901	4	15
Clutch, Lower Turn Drive Roller	29-29253-01	5	5
Clutch, Refeed Roller	29-29252-01	9	3
Clutch, Registration Transport	121E96792	4	14
Clutch, Spring	N/A	4A	11
Clutch, Upper Turn	121E97942	4	16
Connector, BIAS	113K95280	11A	8
Converter, 20 mA Active Host Mate-N-Lok to EIA-423 DECconnect MMJ Passive	H8673-AA	1	Not Shown
Converter, 20 mA Active Host RJ11 (6 Pin) to EIA-423 DECconnect MMJ Passive	H8673-AB	1	Not Shown
Cord, Power	N/A	12	13
Cord, Power (10A 250V)	17-00210-13	1	Not Shown
Cord, Power (10A 250V)	17-00199-21	1	Not Shown
Cord, Power (10A 250V)	17-00364-18	1	Not Shown
Cord, Power (10A 250V)	17-00199-21	1	Not Shown

INDEX BY DEC / VENDOR PART DESCRIPTION

DEClaser 3200/3250 Printer

DESCRIPTION	DEC PART NO.	FIG. NO.	ITEM NO.
Cord, Power (10A 250V)	17-00198-14	1	Not Shown
Cord, Power (US)	17-00083-09	1	7
Cord, Power (10A 250V)	17-00457-16	1	Not Shown
Cord, Power (10A 250V)	17-00209-15	1	Not Shown
Cord, Power Term. (10A 250V)	17-00310-08	1	Not Shown
COROTRON ASSEMBLY, TRANSFER DETACK	29-29257-01	7	1
Corotron, Transfer Detack	N/A	7	1A
Corotron, Transfer/Detack	N/A	1	Not Shown
Cover Assembly, Jam Access	48K95163	5	8
COVER ASSEMBLY, LOWER HEAT	48K84371	8	2
COVER LEFT SIDE (Exit)	29-29238-01	1	8
Cover, Left Heat Rod	N/A	8	8
Cover, Left Side (Exit)	29-29238-01	2	5
Cover, Lower Front	48K99372	2	4
Cover, Lower Heat	N/A	8	3
Cover, Memory Access	N/A	1	10
Cover, Offset Motor	N/A	10	5
Cover, Reverse Back Stop	48E99410	10	21
Cover, Right Side	29-29775-01	2	3
COVER, RIGHT SIDE	29-29775-01	1	3
Cover, Top	48K96562	2	1
Cover, Top	48K83040	2	1
Cover, Upper Heat	2K36330	8	1
Cover, Xerographic Module	48K99382	2	2
COVERS	N/A	2	N/A
DEClaser 3200/3250 PRINTER	N/A	1	N/A
DOCUMENTATION KIT, PRINTER	EK-D3200-DK	1	Not Shown
Documentation, "Dutch Operator's Guide"	EK-3200H-OP	1	Not Shown
Documentation, "Dutch Quick Ref. Guide"	EK-3200H-RF	1	Not Shown
Documentation, "French Operator's Guide"	EK-3200P-OP	1	Not Shown
Documentation, "French Quick Ref. Guide"	EK-3200P-RF	1	Not Shown
Documentation, "German Operator's Guide"	EK-3200G-OP	1	Not Shown
Documentation, "German Quick Ref. Guide"	EK-3200G-RF	1	Not Shown
Documentation, "Spanish Operator's Guide"	EK-3200S-OP	1	Not Shown
Documentation, "Spanish Quick Ref. Guide"	EK-3200S-RF	1	Not Shown
Documentation, DEClaser 3200 Printer/Install. Guide (Multi-lingual)	EK-DC32P-IN	1	Not Shown
Documentation, DEClaser 3200 Printer/Install. Guide (Multi-lingual)	EK-DC32P-IN	1	Not Shown
Documentation, DEClaser 3200 Printer/Operator's Guide (English)	EK-DC32P-OP	1	Not Shown
Documentation, DEClaser 3200 Printer/Operator's Guide (English)	EK-DC32P-OP	1	Not Shown
Documentation, DEClaser 3200 Printer/Operator's Quick Reference Guide	EK-DEC32-RF	1	Not Shown
Documentation, DEClaser 3200 Printer/PostScript Option Installation Guide	EK-DEC32-OG	1	Not Shown
Documentation, DEClaser 3200 Printer/SIMM Installation Guide	EK-D32PS-IN	1	Not Shown
Documentation, Dutch Spine Set	EK-3200H-SS	1	Not Shown
Documentation, French Spine Set	EK-3200P-SS	1	Not Shown
Documentation, German Spine Set	EK-3200G-SS	1	Not Shown
Documentation, Spanish Spine Set	EK-3200S-SS	1	Not Shown

INDEX BY DEC / VENDOR PART DESCRIPTION

DEC/Claser 3200/3250 Printer

DESCRIPTION	DEC PART NO.	FIG. NO.	ITEM NO.
Door Assembly, Right Cover Feed	29-29704-01	1	11
Drive Unit	7K96441	7	10
E-Ring	N/A	4	5
Eliminator, Static	N/A	9	2
Eliminator, Static	N/A	10	13
Eliminator, Static	N/A	4	9
Eliminator, Static	N/A	8	9
EPROM, MPU/IG	29- TBA	13	2
Fan, Fuser	12-36593-01	12	3
Fan, Video Cooling	12-36594-01	13	4
FEED ASSEMBLY, LOWER	N/A	5	N/A
Feeder, Multi-Media Paper	LN08X-TE	1	Not Shown
Fingers, Heat Roller Stripper	48K83780	8	17
Fingers, Pressure Roller Stripper	N/A	8	18
Fingers, Pressure Stripper	N/A	9	10
Font Cartridge, Blank (256K)	LN08X-CF	1	Not Shown
Font Cartridge, Blank (512K)	LN08X-CG	1	Not Shown
Font Cartridge, C.G. Times	LN08X-CA	1	Not Shown
Font Cartridge, C.G. Triumvirate	LN08X-CB	1	Not Shown
Font Cartridge, ITC Souvenir/Embassy Script	LN08X-CC	1	Not Shown
Font Cartridge, Microsoft PCL	LN08X-CI	1	Not Shown
Font Cartridge, Monospaced Fonts	LN08X-CD	1	Not Shown
Font Cartridge, WordPerfect PCL	LN08X-CH	1	Not Shown
Frame, Control Panel	N/A	12	4
Fuse, Thermo	N/A	8	5
FUSER ASSEMBLY (110V)	29-29306-01	8	N/A
FUSER ASSEMBLY (220V)	29-29307-01	8	N/A
Gate, Sensor Linkage	29-29240-01	9	5
Gear, Idler	N/A	5	4
Gear, Idler	N/A	4	8
Gear, Transport	N/A	7	8
Guard, Exit	N/A	10	8
Harness	152K77070	4	10
HARNESS ASSEMBLY	152K76644	13	5
Harness Assembly, ROS and Erase	152K87142	11A	2
Harness, Control Panel	152K87120	12	2
Harness, Control Panel	152K76262	13	6
Harness, Fan (Video)	152K76683	13	8
Harness, HCF (DC)	152K87110	12	6
Harness, I/O	152K77311	12	12
Harness, Power	152K76262	13	7
Harness, Relay	117K99652	10	20
Harness, Relay and Drive	152K87131	12	11
Holder, Exit Roller	N/A	10	9
Inlet Chute	N/A	8	16
KIT, AUSTRALIA/NEW ZEALAND (240V)	LN08X-KZ	1	Not Shown
KIT, BELGIUM, HOLLAND, FRANCE, LUXEMBOURG (220V)	LN08X-MD	1	Not Shown
KIT, DENMARK COUNTRY (220V)	LN08X-KD	1	Not Shown
KIT, DEVELOPER	LN08X-AC	1	Not Shown
KIT, GERMAN/AUSTRIA COUNTRY (220V)	LN08X-KG	1	Not Shown
KIT, ISRAEL (240V)	LN08X-KT	1	Not Shown

INDEX BY DEC / VENDOR PART DESCRIPTION

DEC/Claser 3200/3250 Printer

DESCRIPTION	DEC PART NO.	FIG. NO.	ITEM NO.
KIT, ITALIAN COUNTRY (220V)	LN08X-KI	1	Not Shown
Kit, Miscellaneous Hardware Parts	22-01341-01	1	Not Shown
KIT, PHOTORECEPTOR	LN08X-AB	1	Not Shown
Kit, PostScript Upgrade w/CPS License	LN08R-UA	1	Not Shown
Kit, PostScript Upgrade w/o CPS License	LN08U-UA	1	Not Shown
KIT, SPANISH COUNTRY (220V)	LN08X-KS	1	Not Shown
KIT, SWEDEN, FINLAND, NORWAY, PORTUGAL, CENTRAL EUROPE COUNTRY (220V)	LN08X-MC	1	Not Shown
KIT, SWISS COUNTRY (240V)	LN08X-MB	1	Not Shown
KIT, TONER CARTRIDGE	LN08X-AA	1	Not Shown
KIT, UK/IRELAND COUNTRY (240V)	LN08X-KE	1	Not Shown
Label, U/I (Dutch)	36-35182-07	1	Not Shown
Label, U/I (French)	36-35182-03	1	Not Shown
Label, U/I (French)	36-35182-03	1	Not Shown
Label, U/I (German)	36-35182-04	1	Not Shown
Label, U/I (German)	36-35182-04	1	Not Shown
Label, U/I (German)	36-35182-04	1	Not Shown
Label, U/I (Spanish)	36-35182-05	1	Not Shown
LASER SCANNER MODULE ASSEMBLY	N/A	11A	N/A
Laser/Scanner Assembly (110V)	29-29245-01	11A	1
Laser/Scanner Assembly (220V)	29-29246-01	11A	1
Lever, Top Cover Release	N/A	11A	5
Lever, Top Cover Release	N/A	1	5
MAIN DRIVE ASSEMBLY/TRANSFER COROTRON ASSEMBLY	N/A	7	N/A
Module Assembly, DC Control	29-29271-01	12	7
Module, 2 MB RAM Upgrade	LN08X-UC	1	Not Shown
Module, Developer	29-29269-01	11	4
Module, Erase	29-29256-01	11A	3
Module, Numeric Co-Processor	LN08X-UD	1	Not Shown
Module, NVM Page Count	29-29726-01	12	14
Module, PostScript Upgrade	LN08X-PS	1	Not Shown
Module, Relay and Drive	29-29270-01	12	10
Module, Video Controller w/EPROMS	29-29308-01	13	1
MOTOR ASSEMBLY, MAIN DRIVE	29-29305-01	7	7
MOTOR ASSEMBLY, OFFSET	29-29259-01	10	1
Motor, Exit	29-29258-01	10	10
Motor, Offset	N/A	10	4
NVRAM IC, MPU/IG	733W3540	13	3
Pad, Fuser	29-29247-01	8	19
Pad, Fuser Cleaning	29-29247-01	1	Not Shown
Panel Assembly, Control	29-24248-01	12	1
Panel Assembly, Back	48K98081	12	5
Panel, Control	29-29248-01	1	2
Panel, Rear	N/A	2	6
PAPER EXIT and OFFSET ASSEMBLY	N/A	10	N/A
PAPER FEED TO REGISTRATION	N/A	4A	N/A
Plate, Ground	N/A	4	17
Plate, Ground	N/A	4	7
POWER SUPPLY and CONTROL PANEL	N/A	12	N/A
Power Supply Assembly, High Voltage	29-29251-01	12	8
Power Supply, Low Voltage (110V)	29-29249-01	12	9
Power Supply, Low Voltage (220V)	29-29250-01	12	9

INDEX BY DEC / VENDOR PART DESCRIPTION

DECClasser 3200/3250 Printer

DESCRIPTION	DEC PART NO.	FIG. NO.	ITEM NO.
PRINTER (w/MMJ Cable & English User Documentation – No Power Cord) (220V 50 Hz)	LN08–A3	1	N/A
PRINTER (w/MMJ Cable, USA Power Cord and English User Documentation) (120V 60 Hz)	LN08–CA	1	N/A
Printer, Laser S/DPX LN08 (120V 60 Hz)	30– TBA –01	1	1
Printer, Laser S/DPX LN08 (220V 50 Hz)	30– TBA– 02	1	1
Ring, E	N/A	10	15
Ring, E	N/A	5	14
Ring, E	N/A	4A	12
Rod, Heater (110V)	126K96440	8	7
Rod, Heater (220V)	126K96450	8	7
ROLLER ASSEMBLY, EXIT DRIVE	29–29705–01	10	6
ROLLER ASSEMBLY, EXIT PINCH	29–29237–01	10	12
ROLLER ASSEMBLY, REFEED PINCH & DRIVE	29–29235–01	9	4
ROLLER ASSEMBLY, UPPER FEED	22K86512	4A	6
Roller Assembly, Upper Turn	22K97130	4	11
ROLLER CHUTE ASSEMBLY, LOWER TURN DRIVE	29–29241–01	5	1
Roller, Drive (Refeed)	N/A	9	4A
Roller, Exit	N/A	10	7
Roller, Exit Pinch	N/A	10	14
Roller, Feed	22K97111	5	11
Roller, Feed	22K97111	4A	7
Roller, Heat	59K95030	8	6
Roller, Infeed	22K86571	9	12
Roller, Kick	N/A	6	3
Roller, Lower Baffle	22K87520	9	11
Roller, Lower Turn Drive	N/A	5	3
Roller, Pinch (Refeed)	N/A	9	4B
Roller, Pressure	59K95020	8	10
Roller, Registration Transport	22K88891	4	12
Roller, Upper Baffle	N/A	9	7
ROLLER/CLUTCH ASSEMBLY, LOWER FEED	29–29272–01	5	9
Sensing Assembly, Upper Paper Size	29–29267–01	4A	3
Sensor 1, Refeed	29–29263–01	9	13
Sensor, "Output Tray Full"	29–29262–01	10	11
Sensor, Exit	29–29261–01	10	19
Sensor, Exit Door	29–29264–01	9	1
Sensor, Lower Paper Size	29–29268–01	5	6
Sensor, Lower Tray Empty	29–29260–01	5	7
Sensor, Manual Feed By–Pass	29–29266–01	4A	2
Sensor, Preregistration	29–29265–01	4	13
Sensor, Top Door (Scanner) Interlock	110E96960	4A	5
Sensor, Upper Cassette Empty	29–29260–01	4A	1
Shaft and Paddle, Feed	N/A	4A	13
Shaft and Paddle, Feed	N/A	5	15
Shield, Front Arc	N/A	7	3
Shield, Rear Arc	N/A	7	4
Solenoid, Lower Feed	29–29255–01	5	16
Solenoid, Upper Feed	29–29254–01	4A	4
Spring	N/A	10	17
Spring, Fuser Tension	9E86150	8	14
Spring, Ground	9E98650	11A	7
Spring, Ground	9E97800	11A	6

INDEX BY DEC / VENDOR PART DESCRIPTION

DEC/aser 3200/3250 Printer

DESCRIPTION	DEC PART NO.	FIG. NO.	ITEM NO.
Spring, Ground	N/A	7	6
Spring, Ground	9E98650	8	Not Shown
Spring, Idler Tension	N/A	7	9
Spring, Latch	9E96800	11	5
Spring, Tension	N/A	7	2
Switch	130E95821	10	3
Switch, Power	N/A	1	9
Table, Laser (45 Inch x 22 Inch)	LAXXS-AE	1	Not Shown
Thermistor	130K99720	8	15
Thermostat	130K98370	8	4
TRANSPORT ASSEMBLY, PAPER	N/A	6	N/A
TRANSPORT ASSEMBLY, PREFUSER	29-29244-01	6	1
TRANSPORT ASSEMBLY, REGISTRATION	29-29236-01	4	N/A
Tray, A4 Size Large Capacity	LN08X-TG	1	Not Shown
Tray, A4 Size Paper Input	LN08X-TA	1	Not Shown
Tray, Adjustable Size Paper	LN08X-TD	1	Not Shown
Tray, Legal Size Paper	LN08X-TB	1	Not Shown
Tray, Letter Size Large Capacity	LN08X-TF	1	Not Shown
Tray, Letter Size Paper	LN08X-TC	1	Not Shown
Tray, Manual Feed	50K98650	2	8
TRAY, MANUAL FEED	N/A	1	6
Tray, Paper (8.5 x 11)	LN08X-TC	3	1
Tray, Paper (8.5 x 14)	LN08X-TB	3	1
Tray, Paper (A4)	LN08X-TA	3	1
TRAYS, PAPER	N/A	3	N/A
TRAYS, UPPER and LOWER PAPER	LN08X-TB	1	4
TRAYS, UPPER and LOWER PAPER	LN08X-TA	1	4
TRAYS, UPPER and LOWER PAPER	LN08X-TC	1	4
VIDEO CONTROLLER MODULE ASSEMBLY	N/A	13	N/A
Wire Assembly, Corotron	117K91640	7	5
Wire, Ground	N/A	4	6
Wire, Ground	N/A	6	2
Wire, Grounding	N/A	11A	4
XEROGRAPHIC MODULES	N/A	11	N/A

READER'S COMMENTS

DEClaser 3200/3250 Printer
Illustrated Parts Breakdown
EK-DL300-IP-001

1. How did you use this manual? (Circle your response.)

- (a) Installation (c) Maintenance (e) Training
(b) Operation/Use (d) Programming (f) Other (Please specify) _____

2. Did the manual meet your needs? Yes No Why? _____

3. Please rate the manual on the following categories. (Circle your response.)

	Excellent	Good	Fair	Poor	Unacceptable
Accuracy	5	4	3	2	1
Clarity	5	4	3	2	1
Completeness	5	4	3	2	1
Illustrations, examples	5	4	3	2	1
Overall ease of use	5	4	3	2	1
Table of Content, Index	5	4	3	2	1

4. What things did you like *most* about this manual? _____

5. What things did you like *least* about this manual? _____

6. Please list and describe any errors you found in the manual.

Page	Description/Location of Error
_____	_____
_____	_____
_____	_____
_____	_____

7. Which of the following most clearly describes your job ? (Circle your response.)

- (a) Administrative Support (e) System Manager (i) Education/Trainer
(b) Manager/Supervisor (f) Computer Operator (j) Sales/Marketing
(c) Scientist/Engineer (g) Software Support (k) Other (Please specify)
(d) Programmer/Analyst (h) Hardware Support _____

OPTIONAL INFORMATION

Name _____ Job Title _____
Street _____ Company _____
City _____ Department _____
State/Country _____ Telephone Number _____
Postal (ZIP) Code _____ Date _____

THANK YOU FOR YOUR COMMENTS AND SUGGESTIONS.

Please do not use this form to order manuals. Contact your representative at Digital Equipment Corporation or (in the USA) call our DECdirect™ department at this toll-free number : 800-344-4825