

**ILLUSTRATED  
PARTS  
BREAKDOWN**

**LA324  
MultiPrinter**

**HOW TO USE THE IPB**

**GENERAL**

This IPB is compiled following the organization and nomenclature of the engineering drawing structure.

**MAJOR ASSEMBLY LOCATOR (When Applicable)**

The Major Assembly Locator (first illustration) is an index that provides a description and a figure reference for all illustrations used in this manual.

**INDENTED PARTS LIST**

This manual identifies each assembly being broken down (figure reference callout), and all parts of that assembly. Further breakdown of an assembly is shown by an asterisk (\*) preceding the item callouts in the Description Column. The number of asterisks preceding an item is used to denote the subordination of that item with respect to the Major Assembly. A single asterisk preceding an item description indicates that the item is part of the major assembly being illustrated. Items that are subordinate to single asterisks items, are denoted by two asterisks (\*\*) and immediately follow the related single asterisk item. This system of part identification provides a means for the user to identify the next higher assembly item and make alternate selections for parts when the required replacement part of assembly is not immediately available.

**COLUMN CALLOUT DESCRIPTION**

**Figure and Item** – Indicates the figure number and item number of each part.

**Description** – Lists the name of the part and pertinent specifications (when required). Asterisks preceding the description denote the subordination of the part to the next higher assembly.

**DEC Part No.** – Lists the Digital part ordering number. A blank in this column indicates a Digital part number was not assigned at the time of publication.

**ECO Cut-In** – The notation at the top of this column indicates the ECO level of the system (option), at which the IPB was initially prepared. Subsequent ECO level designations, that modify existing parts or add new parts to the device, are inserted in the ECO Cut-In column next to the part that is added or modified.

**Used On Code** – Letters in this column correspond to the variation codes assigned in Figure 1. Parts with an Alpha notation(s) are used only in those option variations. A blank indicates that the part is used on all option variations.

**Ref Fig No.** – A cross reference between illustrations. For each Major Assembly, the number in this column denotes the figure of the next higher assembly. For all subassemblies, the number in this column denotes the figure showing additional detailed breakdown.

**PART NUMBER/PART DESCRIPTION INDEX SECTION**  
Parts are indexed both numerically and alphabetically by description, referenced to a location within the IPB, by figure number and item number.

**REVISION HISTORY**

REVISION HISTORY				OTHER IPB MANUALS REFERENCED	
PRINTING	ECO LEVEL		DATE		
2nd Printing	LA324	00000-00002		31-MAY-91	N/A

Digital Equipment Corporation reserves the right, without notice, to make substitutions and modifications in the specifications of products documented in this manual and further reserves the right to withdraw any of these products from the market without notice.

Digital Equipment Corporation is not responsible for errors which may appear in the technical description (including illustrations and photographs) of the products covered by this manual.

None of the descriptions contained in this manual imply the granting of any license whatsoever to make, use or sell equipment constructed in accordance therewith.

Restricted Rights: Use, duplication or disclosure by the U.S. Government is subject to restrictions as set forth in subparagraph (c) (1) (ii) of the Rights in Technical Data and Computer Software clause at DFARS 252.227-2713.

Copyright © 1990, 1991 by Digital Equipment Corporation. All rights reserved.  
Printed in U.S.A.

The postage-paid READER'S COMMENTS form on the last page of this document requests your critical evaluation to assist us in preparing future documentation.

The following are trademarks of Digital Equipment Corporation :

---

DECdirect, LA324 and the DIGITAL logo.

---

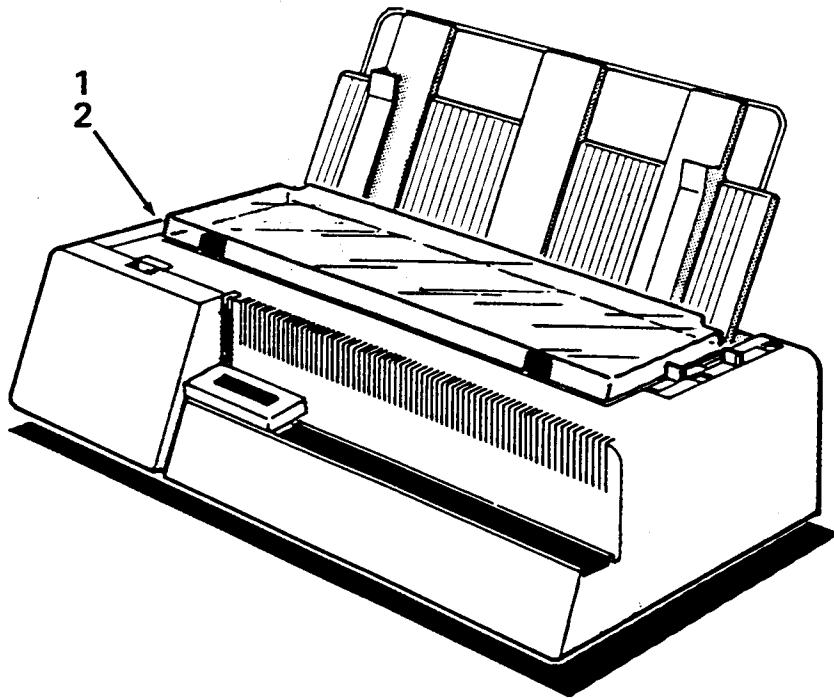
IBM is a registered trademark of International Business Machines Corporation.

---

This manual was prepared and published by Educational Services Development and Publishing, Digital Equipment Corporation.

## TABLE OF CONTENTS

FIGURE NUMBER	DESCRIPTION	PAGE NUMBER
1	LA324 MultiPrinter (120V 50/60Hz)	1
2	MECHANISM ASSEMBLY, GENERAL	9
3	MECHANISM SUB-ASSEMBLY	11
4	COVER ASSEMBLY/OPERATOR PANEL	17
5	CARRIAGE ASSEMBLY/PRINT HEAD	19
6	INTERFACE MODULE ASSEMBLY/LA324 PAR/SER	21
7	FIRMWARE MOUNTING, INTERFACE MODULE	22
8	OPERATOR PANEL ASSEMBLY	23
9	FIRMWARE MOUNTING, MAIN MODULE	24
10	POWER SUPPLY ASSEMBLY, LA324 (PWA)	25/26



LA324-01-BD

**Figure 1. LA324 MultiPrinter**

FIG. & ITEM NO.	DESCRIPTION	DEC PART NO. <sup>B</sup>	ECO CUT-IN LA324 00000	USED ON CODE	REF FIG NO.
1-	LA324 MultiPrinter (120/240V – 50/60Hz)				
	Code A – Used on LA324-CA MultiPrinter, USA & Canada	LA324-CA		A	
	Code B – Used on LA324-AE MultiPrinter, UK & Ireland	LA324-AE		B	
	Code C – Used on LA324-AG MultiPrinter, Germany & Austria	LA324-AG		C	
	Code D – Used on LA324-AH MultiPrinter, Holland	LA324-AH		D	
	Code E – Used on LA324-AI MultiPrinter, Italy	LA324-AI		E	
	Code F – Used on LA324-AD MultiPrinter, Denmark	LA324-AD		F	
	Code G – Used on LA324-AP MultiPrinter, France	LA324-AP		G	
	Code H – Used on LA324-AS MultiPrinter, Spain	LA324-AS		H	
	Code J – Used on LA324-AT MultiPrinter, Israel	LA324-AT		J	
	Code K – Used on LA324-AZ MultiPrinter, Australia & New Zealand	LA324-AZ		K	
	Code L – Used on LA324-CB MultiPrinter, Switzerland (German/French/Italian)	LA324-CB		L	
	Code M – Used on LA324-CC MultiPrinter, Finland, Norway, Portugal, Sweden	LA324-CC		M	
	Code N – Used on LA324-AB MultiPrinter, Belgium (German, French, Dutch)	LA324-AB		N	
1	*PRINTER, UNIVERSAL (30-31861-01)	LA324-A2		A	
	*PRINTER, UNIVERSAL (30-31861-02)	LA324-A3		B-N	
2	**MECHANISM ASSEMBLY, GENERAL	N/A			2
	CABLES/CONNECTORS (Not Shown)				
	*Cable, 10 FT. Data w/2 MMJ Serial (BC16E-10)	17-00811-02			
	*Cable, 10 FT Parallel (BC19M-10)	17-01516-00			
	*Connector, Parallel Loopback	29-27887-01			
	DOCUMENTATION (Not Shown)				
	*Documentation, Installation Guide (English)	EK-LA324-IN			
	*Documentation, User Guide (English)	EK-LA324-UG			

FIG.& ITEM NO.	DESCRIPTION	DEC PART NO.	ECO CUT-IN LA324 00000	USED ON CODE	REF FIG NO.
1-	COUNTRY KITS (Not Shown)				
	*Binder, LA324 MultiPrinter Doc Kit	EK-LA324-DK			
	*KIT, USA & CANADA/ENGLISH COUNTRY (120V)	LA324-MA		A	
	**Cord, Power (125V)	17-00083-09		A	
	**Cable, 10 Ft. Data w/ 2 MMJ (BC16E-10)	17-00811-02		A	
	*KIT, UNITED KINGDOM & IRELAND/ ENGLISH COUNTRY	LA324-KE		B	
	**Cord, Power (250V)	17-00209-15		B	
	**Cable, 10 Ft. Data w/ 2 MMJ (BC16E-10)	17-00811-02		A	
	*KIT, GERMANY & AUSTRIA/GERMAN COUNTRY	LA324-KG		C	
	**Cable, Shielded	17-01364-01		C	
	**Cord, Power (250V)	17-00199-21		C	
	**Documentation, Installation Guide (German)	EK-324GA-IN		C	
	**Documentation, Operator's Guide (German)	EK-324GA-OP		C	
	**Insert, Spine (German)	EK-324GA-SP		C	
	**Label, "Control Panel/German"	36-31627-03		C	
	*KIT, HOLLAND/DUTCH COUNTRY	LA324-KH		D	
	**Cable, 10 Ft. Data w/ 2 MMJ (BC16E-10)	17-00811-02		D	
	**Cord, Power (250V)	17-00199-21		D	
	**Documentation, Installation Guide (Dutch)	EK-324HA-IN		D	
	**Documentation, Operator's Guide (Dutch)	EK-324HA-OP		D	
	**Insert, Spine (Dutch)	EK-324HA-SP		D	
	*KIT, ITALY/ITALIAN COUNTRY	LA324-KI		E	
	**Cable, 10 Ft. Data w/ 2 MMJ (BC16E-10)	17-00811-02		E	
	**Cord, Power (250V)	17-00364-18		E	
	**Documentation, Installation Guide (Italian)	EK-324UA-IN		E	
	**Documentation, Operator's Guide (Italian)	EK-324UA-OP		E	
	**Insert, Spine (Italian)	EK-324UA-SP		E	
	**Label, "Control Panel /Italian"	36-31627-05		E	
	*KIT, DENMARK/DANISH COUNTRY	LA324-KD		F	
	**Cable, 10 Ft. Data w/ 2 MMJ (BC16E-10)	17-00811-02		F	
	**Cord, Power (250V)	17-00310-08		F	
	*KIT, FRANCE/FRENCH COUNTRY	LA324-KP		G	
	**Cable, 10 Ft. Data w/ 2 MMJ (BC16E-10)	17-00811-02		G	
	**Cord, Power (250V)	17-00199-21		G	
	**Documentation, Installation Guide(French)	EK-324PA-IN		G	
	**Documentation, Operator's Guide (French)	EK-324PA-OP		G	
	**Insert, Spine (French)	EK-324PA-SP		G	
	**Label, "Control Panel/French"	36-31627-02		G	



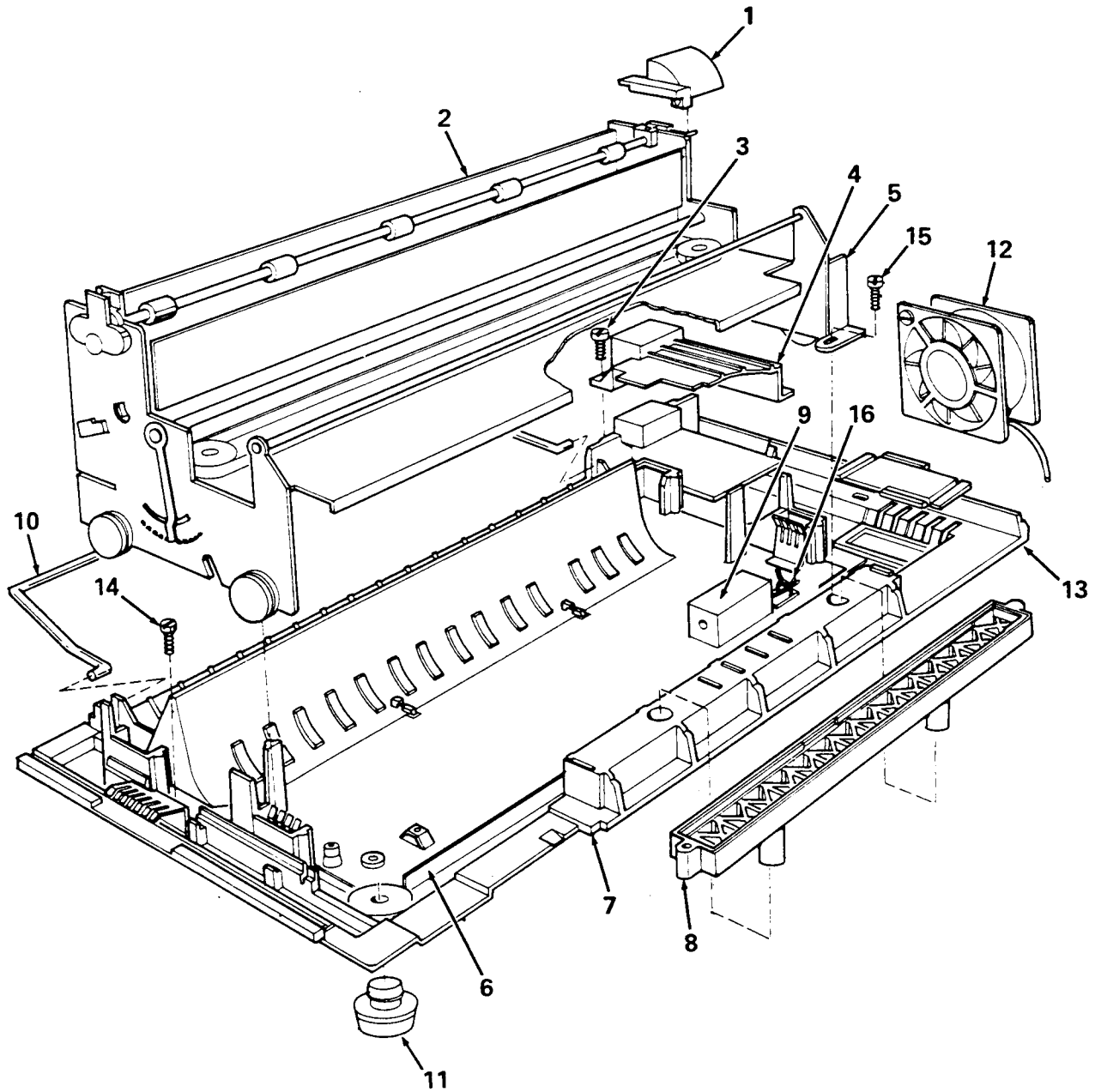




FIG.& ITEM NO.	DESCRIPTION	VENDOR PART NO.	DEC PART NO.	USED ON CODE	REF FIG NO.
1-	<p>*KIT 1, LA324 MECHANICAL ASSEMBLY MISCELLANEOUS</p> <p>**Lever, Internal Copy **Lever, Internal T/F **Cover, Pulley **Pulley **Bracket, Bearing **Gear **Pulley Assembly **Gear **Roller **Cover, Print Head Safety **Bushing **Support, Shaft</p> <p>*KIT 2, LA324 MECHANICAL ASSEMBLY MISCELLANEOUS</p> <p>**Spring, Wire **Spring, Roll **Spring, T/F **Spring, Paper Bail **Lever, Inner Copy **Plate, Print Head Cable **Plate, Print Head **Bushing, Carriage **Vibrodamp **Stud **Bearing</p> <p>*KIT, LA324 MISCELLANEOUS HARDWARE</p> <p>**Ring, Benzing D2.3 **Ring, Benzing D3.2 **Ring, Benzing D4 **Ring, Benzing D5 **Ring, Benzing D7 **Screw, M2.9 x 6.5 **Screw, M2.9 x 9.5 **Screw, M4 x 6 **Screw, M4 x 8 **Screw, M3.5 x 9.5 **Screw, M4 x 8 **Screw, M3 x 14 **Screw, M3 x 6</p>	<p>78142134-001 78142146-001 78143146-001 78142128-001 78148173-001 78138010-002 78147034-001 78142139-002 78142204-002 78147854-001 78123449-002 78149742-001</p> <p>78138529-001 78142736-001 78142164-001 78142421-001 78142131-001 78142195-001 78149783-001 78203555-001 78142206-001 78148149-001 78203247-002</p> <p>76951706-023 76951706-032 76951706-040 76951706-050 76951706-070 76951715-045 78203230-035 78203459-318 78203459-219 76951715-059 78203459-319 78203386-029 78203459-209</p>	<p>29-27884-01</p> <p>29-27885-01</p> <p>29-27886-01</p>		

FIG. & ITEM NO.	DESCRIPTION	VENDOR PART NO.	DEC PART NO. <sup>A</sup>	USED ON CODE	REF FIG NO.
1-	<p>*KIT, LA324 MISCELLANEOUS HARDWARE (Continued)</p> <p>**Screw, M6 x 10</p> <p>**Screw, M3 x 8</p> <p>**Screw, M3 x 12</p> <p>**Screw, M2.9 x 9.5</p> <p>**Screw, M3 x 8</p> <p>**Screw, M2 x 8</p> <p>**Screw, M3 x 4</p> <p>**Screw, M3 x 6</p> <p>**Pivot</p> <p>**Nut, M3</p> <p>**Washer, D3.2</p> <p>**Washer, D5</p> <p>**Washer, D6.4</p> <p>**Washer, D6.5</p> <p>**Washer, 5/24</p> <p>OPTIONS and ACCESSORIES (Not Shown)</p> <p>*Cable, Parallel Interface (17-01516-00)</p> <p>*Connector, MMJ Loopback</p> <p>*Ribbon Cartridge, Black (6/box)</p> <p>*Ribbon Cartridge, Color (6/box)</p> <p>*Font Cartridge, DEC Letter Gothic</p> <p>*Font Cartridge, DEC Orator</p> <p>*Font Cartridge, DEC Prestige Elite</p> <p>*Font Cartridge, DEC OCR-A</p> <p>*Font Cartridge, DEC OCR-B</p> <p>*Font Cartridge, IBM OCR-A</p> <p>*Font Cartridge, IBM OCR-B</p> <p>*Font Cartridge, IBM Presentor</p> <p>*Stand, LA324 Desk Top</p> <p>*Feeder, Automatic Triple Bin Cut Sheet</p> <p>*Cover, LA324 Acoustic</p> <p>*Documentation, Programmer Reference</p> <p>*Documentation, LA324 Pocket Service Guide</p> <p>*Documentation, LA324 Automatic Sheet Feeder Installation and Operator's Guide</p> <p>*STAND, LA324 PRINTER</p> <p>**Catcher, Paper</p>	<p>76951108-633</p> <p>78203460-110</p> <p>78203459-212</p> <p>78203230-035</p> <p>78203216-128</p> <p>78203215-057</p> <p>78203459-208</p> <p>78203460-109</p> <p>78144304-002</p> <p>76951120-490</p> <p>78203286-006</p> <p>78149034-001</p> <p>76951128-620</p> <p>76951126-620</p> <p>78147873-001</p> <p>BC19M-10</p> <p>12-25083-01</p> <p>LA24R-KA</p> <p>LA24R-KC</p> <p>LA24X-CA</p> <p>LA24X-CB</p> <p>LA24X-CC</p> <p>LA24X-CG</p> <p>LA24X-CH</p> <p>LA24X-CD</p> <p>LA24X-CE</p> <p>LA24X-CF</p> <p>LA24X-DS</p> <p>LA24X-SF</p> <p>LA24X-AC</p> <p>EK-LA324-RM</p> <p>EK-LA324-SV</p> <p>EK-LA24X-SF</p> <p>LA24X-PS</p> <p>34-32001-01</p>	29-27886-01		

THIS PAGE INTENTIONALLY LEFT BLANK



LA324-02-BD

**Figure 2. Mechanism Assembly, General**

FIG.& ITEM NO.	DESCRIPTION	VENDOR PART NO.	DEC PART NO.	USED ON CODE	REF FIG NO.
2-	MECHANISM ASSEMBLY, GENERAL				
1	*Cover, Pulley (See Note 1)	78143146-001			
2	*MECHANISM SUB-ASSEMBLY, w/o PRINthead		29-27880-01		3
3	*Screw, M4 x 8 (See Note 2)	78203459-219			
4	*Shield, Filter (See Note 3)	78142210-002			
5	*Ground Strip (See Note 3)	78144451-001			
6	*Shield Assembly, Lower	78147050-001			
7	*Base Assembly		29-27849-01		
8	*Support, Operator Panel		29-27879-01		
9	*Ferrite Core (See Note 3)	78201359-001			
10	*Bar, Paper Input Control	78143159-003			
11	*Foot, Rubber	78137804-001			
12	*Fan Assembly		29-27845-01		
13	*Damper, Fan (See Note 3)	78148140-001			
14	*Screw, 3.5 x 9.5 (See Note 2)	76951715-059			
15	*Screw, M4 x 6 (See Note 2)	78203459-318			
16	*Clamp, Cable	78201015-030			
	NOTE 1: This part included in Mechanical Assembly Miscellaneous Parts Kit 1 (DEC Part No. 29-27884-01) See Figure 1.				
	NOTE 2: This part included in Miscellaneous Hardware Kit (DEC Part No. 29-27886-01) See Figure 1.				
	NOTE 3: This part included in Miscellaneous Parts Kit (DEC Part No. 29-27883-01) See Figure 1.				

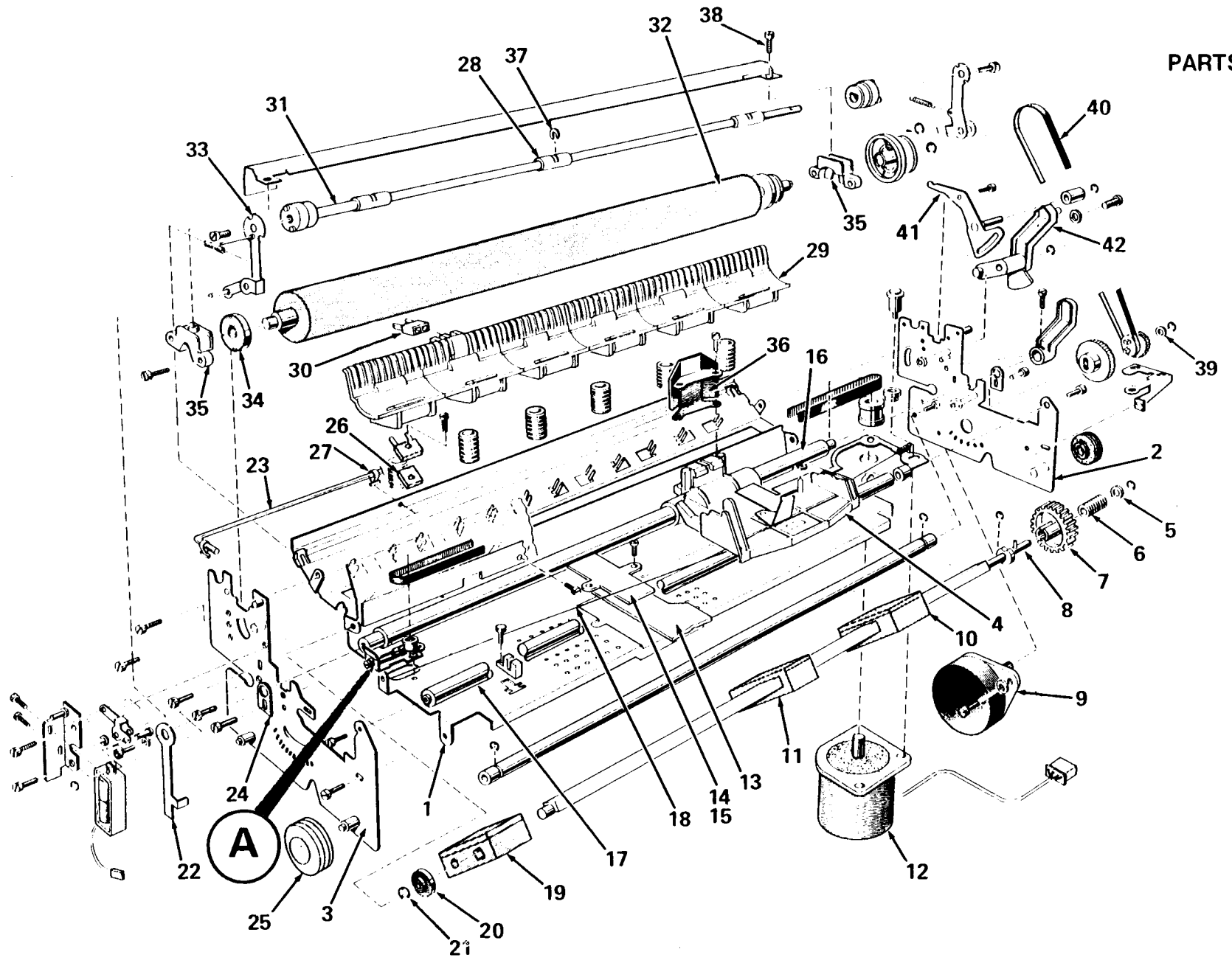


Figure 3. Mechanism Sub-Assembly, w/o Printhead (Sheet 1 of 3)

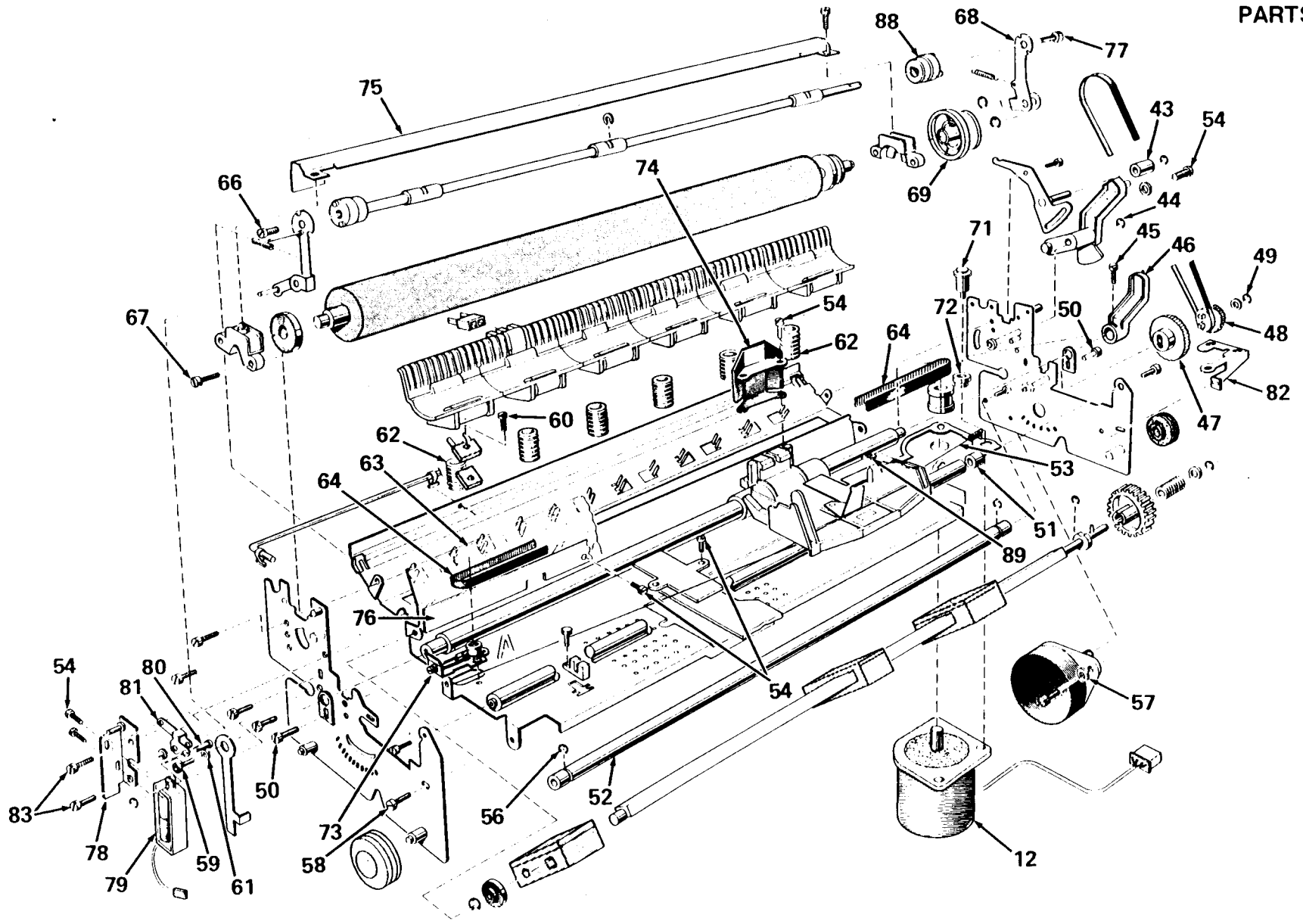
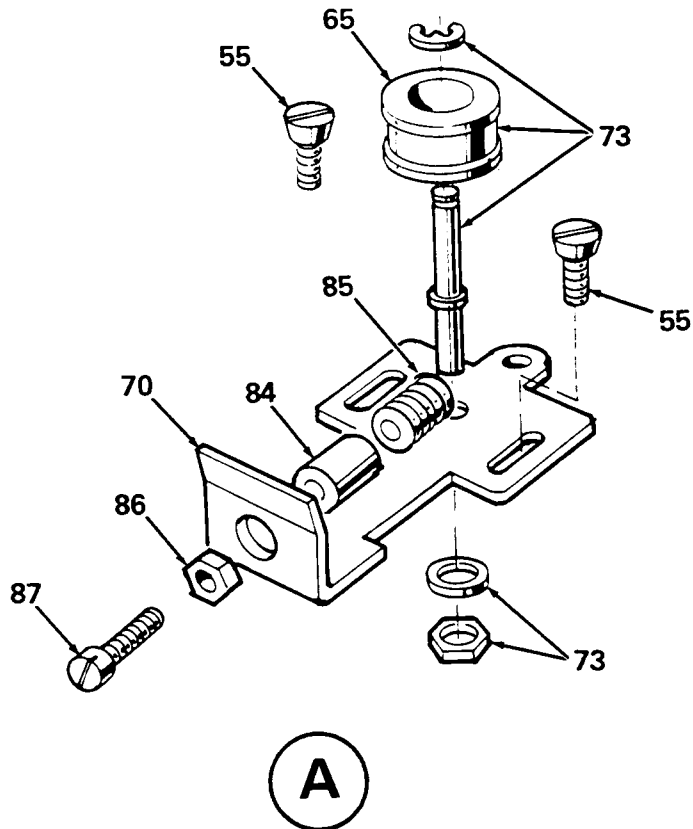


Figure 3. Mechanism Sub-Assembly, w/o Printer (Sheet 2 of 3)



LA324-03C-BD

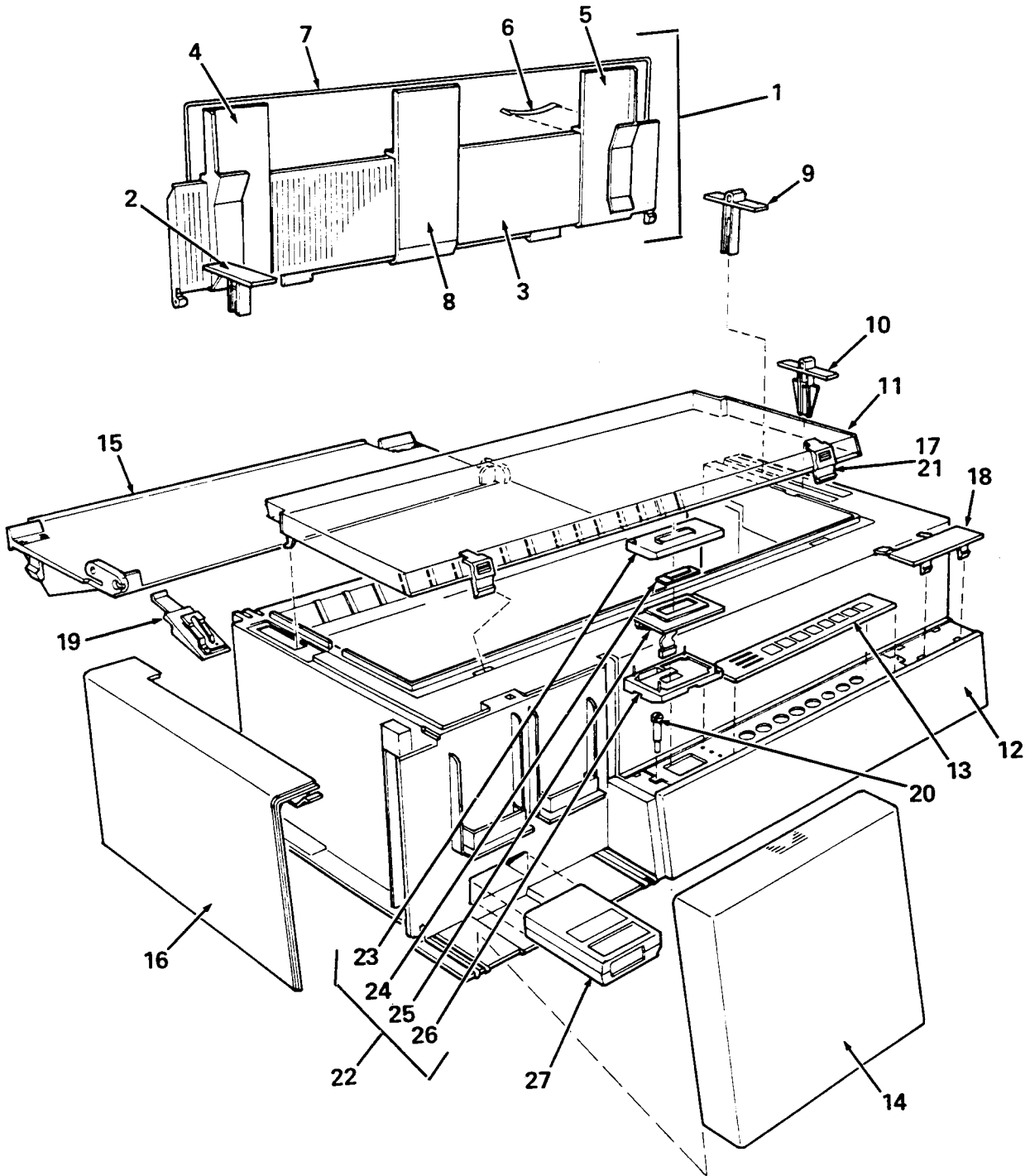
**Figure 3. Mechanism Sub-Assembly, w/o Printhead (Sheet 3 of 3)**



FIG.& ITEM NO.	DESCRIPTION	VENDOR PART NO.	DEC PART NO.	USED ON CODE	REF FIG NO.
3-	MECHANISM SUB-ASSEMBLY, w/o PRINTHEAD		29-27880-01		2
1	*Frame, Base	78149780-001			
2	*Frame Assembly, Right Side	78148153-001			
3	*Frame Assembly, Left Side	78208152-001			
4	*Carriage Unit		29-27858-01		
5	*Washer, Flat D 6.5 (See Note 2)	76951126-620			
6	*Spring, T/F (See Note 4)	78142164-001			
7	*Gear (See Note 1)	78138010-002			
8	*Shaft Assembly	78142435-001			
9	*Motor Assembly, Paper		29-27853-01		
10	*Tractor, Right		29-27875-01		
11	*Support, Paper		29-27869-01		
12	*Motor Assembly, Carriage		29-27854-01		
13	*Cable, Print Head		29-27850-01		
14	*Protector, Cable (Set of 5)		29-27844-01		
15	*Plate, Print Head Cable (See Note 4)	78142195-001			
16	*Shaft	78142124-001			
17	*Shaft	78142127-002			
18	*Spring, Wire (See Note 4)	78138529-001			
19	*Tractor, Left		29-27874-01		
20	*Bushing (See Note 1)	78123449-002			
21	*Ring, Benzing D5 (See Note 2)	76951706-050			
22	*Lever, Inner Copy (See Note 4)	78142131-001			
23	*Cable Assembly, Sensors		29-27867-01		
24	*Bracket	78147539-001			
25	*Vibrodamp (See Note 3)	78142150-002			
26	*Plate	78142200-001			
27	*Fastener, Self Lock Loop (See Note 3)	03510004-002			
28	*Roller	78148093-001			
29	*Roll Assembly		29-27855-01		
30	*Sensor Assembly, Roll		29-27859-01		
31	*Bail Assembly, Paper		29-27878-01		
32	*Platen Assembly		29-27860-01		
33	*Lever Assembly, Left	78148159-003			
34	*Bearing (See Note 4)	78203247-002			
35	*Bearing, Bracket (See Note 1)	78148173-001			
36	*Mask, Print Head (Set of 5)		29-27856-01		

FIG. & ITEM NO.	DESCRIPTION	VENDOR PART NO.	DEC PART NO.	USED ON CODE	REF FIG NO.
3-					
37	*Ring	78147040-001			
38	*Screw, M2.9 x 6.5 (See Note 2)	76951715-045			
39	*Washer, 52/54 (See Note 2)	78147873-001			
40	*Belt, Paper (Set of 5)		29-27876-01		
41	*Roller Assembly, Pressure	78142213-002			
42	*Lever, Internal T/F (See Note 1)	78142146-001			
43	*Roller (See Note 1)	78142204-002			
44	*Ring, Benzing D3.2 (See Note 2)	76951706-032			
45	*Screw, M4 x 8 (See Note 2)	78203459-219			
46	*Lever, Internal Copy (See Note 1)	78142134-001			
47	*Pulley Assembly (See Note 1)	78147034-001			
48	*Gear (See Note 1)	78142139-002			
49	*Ring, Benzing D2.3 (See Note 2)	76951706-023			
50	*Screw, M3 x 4 (See Note 2)	78203459-208			
51	*Bushing, Carriage (See Note 4)	78203555-001			
52	*Shaft	78142120-002			
53	*String, Nylon		29-27888-01		
54	*Screw, M3 x 6 (See Note 2)	78203459-209			
55	*Stud	78146223-001			
56	*Ring, Benzing D7 (See Note 2)	76951706-070			
57	*Washer, D3.2 (See Note 2)	78203286-006			
58	*Screw, M4 x 8 (See Note 2)	78203459-319			
59	*Screw, M6 x 10 (See Note 2)	76951108-633			
60	*Screw, M2 X 8 (See Note 2)	78203215-057			
61	*Washer, D6.4 (See Note 2)	76951128-620			
62	*Spring, Roll (See Note 4)	78142736-001			
63	*Presser		29-27871-01		
64	*Belt, Carriage (Set of 5)		29-27877-01		
65	*Pulley	78142181-002			
66	*Spring, Paper Bail (See Note 4)	78142421-001			
67	*Screw, M3 x 8 (See Note 2)	78203460-110			
68	*Lever, Right	78148094-003			
69	*Pulley (See Note 1)	78142128-001			
70	*Plate	78147056-001			
71	*Stud (See Note 4)	78148149-001			
72	*Vibrodamp (See Note 4)	78142206-001			
73	*Pulley Assembly	78148151-001			
74	*Plate, Print Head (See Note 4)	78149783-001			

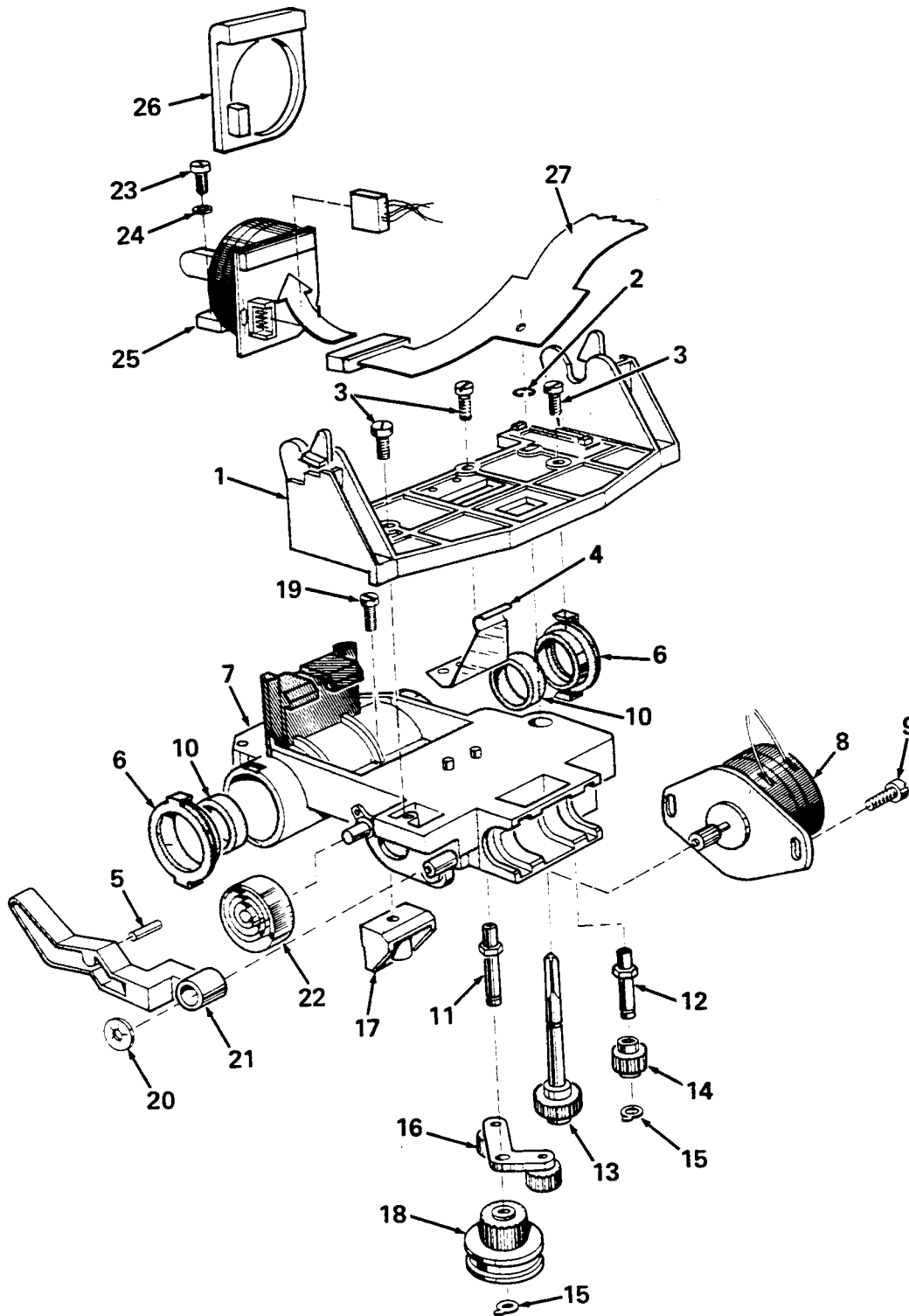
FIG. & ITEM NO.	DESCRIPTION	VENDOR PART NO.	DEC PART NO.	USED ON CODE	REF FIG NO.
3-					
75	*Separator	78143652-002			
76	*Plate	78143162-001			
77	*Screw, M2.9 x 9.5 (See Note 2)	78203230-035			
78	*Bracket Assembly	78148987-001			
79	*Electromagnet Assembly		29-27870-01		
80	*Pivot (See Note 2)	78144304-002			
81	*Lever	78148985-002			
82	*T-Plate	78147837-002			
83	*Screw, M3 x 6 (See Note 2)	78203459-209			
84	*Damper Assembly	78148214-001			
85	*Spring	78146680-002			
86	*Nut, M3 (See Note 2)	76951120-490			
87	*Screw, M3 x 12 (See Note 2)	78203459-212			
88	*Support, Shaft (See Note 1)	78149742-001			
89	*Washer, D5 (See Note 2)	78149034-001			
	NOTE 1: This part included in Mechanical Assembly Miscellaneous Kit 1 (DEC Part No. 29-27884-01) See Figure 1.				
	NOTE 2: This part included in Miscellaneous Hardware Kit (DEC Part No. 29-27886-01) See Figure 1.				
	NOTE 3: This part included in Miscellaneous Parts Kit (DEC Part No. 29-27883-01) See Figure 1.				
	NOTE 4: This part included in Mechanical Assembly Miscellaneous Kit 2 (DEC Part No. 29-27885-01) See Figure 1.				



LA324-04-BD

Figure 4. Cover Assembly/Operator Panel

FIG.& ITEM NO.	DESCRIPTION	VENDOR PART NO.	DEC PART NO.	USED ON CODE	REF FIG NO.
4-	COVER ASSEMBLY/OPERATOR PANEL				
1	*CHUTE ASSEMBLY, PAPER		29-27866-01		
2	**Cap (See Note 2)	78144911-002			
3	**Chute, Paper	78141934-003			
4	**Guide, Left	78141914-003			
5	**Guide, Right	78141915-003			
6	**Spring, Flat	78136029-001			
7	**Bar, Paper Support	78144288-001			
8	**Guide, Paper	78144289-003			
9	*Lever, Drive Selection (See Note 2)	78141911-004			
10	*Lever, Paper Thickness (See Note 2)	78141912-004			
11	*Cover Assembly, Transparent		29-27864-01		
12	*Cabinet Assembly		29-27865-01		
13	*Label, "Control Panel" (English)		29-27857-01		
14	*Cover, Cartridge Area		29-27846-01		
15	*Cover Group Assembly, Rear		29-27848-01		
16	*Cover, Interface Module		29-27847-01		
17	*Magnet (See Note 2)	78201307-001			
18	*Cap, Right Panel (See Note 1)	78147530-002			
19	*Slider Assembly (See Note 2)	78143161-002			
20	*Screw, M4 x 8 (See Note 1)	78203459-219			
21	*Button, Push	78147531-001			
22	*DISPLAY ASSEMBLY, LCD		29-27872-01		
23	**Cover, Upper Display(See Note 1)	78149755-001			
24	**Window, Display	78147544-002			
25	**Module, Display	78147526-001			
26	**Cover, Lower Display (See Note1)	78149756-001			
27	*Cartridge, Font (See Note 3)		LA324X		
	NOTE 1: This part included in LCD/Operator Panel Miscellaneous Kit. (DEC part No. 29-27881-01) See Figure 1.				
	NOTE 2: This part included in Main Cover Miscellaneous Kit. (DEC part No. 29-27882-01) See Figure 1.				
	NOTE 3: See Figure 1 Page 7/8 for specific font.				

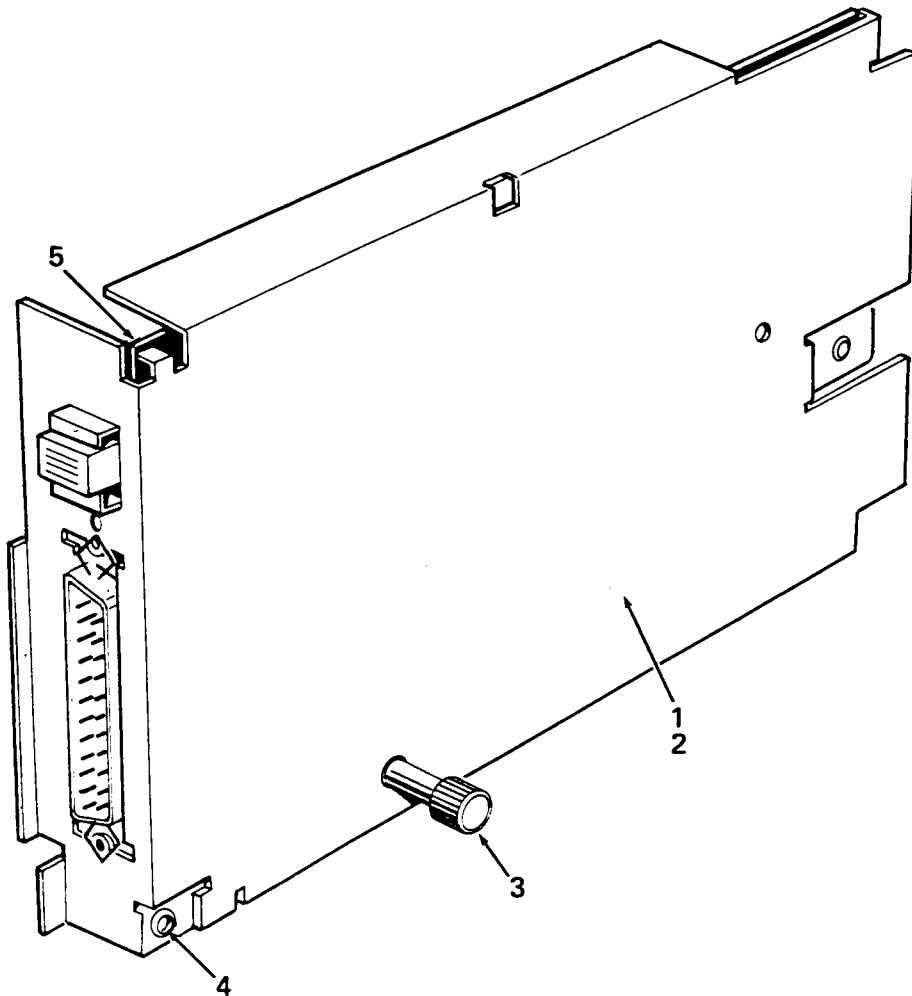


LA324-05-BD

Figure 5. Carriage Assembly/Print Head

FIG.& ITEM NO.	DESCRIPTION	VENDOR PART NO.	DEC PART NO.	USED ON CODE	REF FIG NO.
5-	CARRIAGE ASSEMBLY/PRINT HEAD		29-27858-01		
1	*Bracket	78140939-004			
2	*Ring, Benzing D4 (See Note 2)	76951706-040			
3	*Screw, M3 x 6 (See Note 2)	78203460-109			
4	*Spring	78142135-001			
5	*Roller 2 x 9.8	78203471-011			
6	*Flange	78148086-001			
7	*Carriage Assembly	78144459-002			
8	*Motor Assembly, Color	78201541-002			
9	*Screw, M2.5 x 6	78203459-302			
10	*Oilfelt	78148085-001			
11	*Pivot	78142157-001			
12	*Pivot	78142156-001			
13	*Drive Assembly	78148176-001			
14	*Gear	78144291-001			
15	*Ring, Benzing D4 (See Note 2)	76951706-040			
16	*Reverse Assembly, Ribbon	78146205-001			
17	*Clamp, Belt	78142144-001			
18	*Pulley Assembly	78144292-002			
19	*Screw, M2.9 x 9.5 (See Note 2)	78203230-035			
20	*Washer, D4	78203376-008			
21	*Lever	78149767-001			
22	*Cam	78142174-001			
23	*Screw, M3 x 14 (See Note 2 & 3)	78203386-029			
24	*Washer, Flat 3.2 (See Note 3)	76951126-490			
25	*Print Head Assembly, 24 Needles (See Note 3)		29-27843-01		
26	*Cover, Print Head Safety (See Note 1 & 3)	78147854-001			
27	*Cable, Print Head (See Note 3)		29-27850-01		
	NOTE 1: This part included in Mechanical Assembly Miscellaneous Kit 1 (DEC Part No. 29-27884-01) See Figure 1.				
	NOTE 2: This part included in Miscellaneous Hardware KIT (DEC Part No. 29-27886-01) See Figure 1.				
	NOTE 3: Items 23-27 are not part of Carriage Assembly, shown for reference only.				

FIG. & ITEM NO.	DESCRIPTION	VENDOR PART NO.	DEC PART NO.	USED ON CODE	REF FIG NO.
6-	INTERFACE MODULE ASSEMBLY, LA324 PAR/SER				
1	*MODULE ASSEMBLY, LA324 INTERFACE (for LA324-A2)		29-27862-01	A	
	*MODULE ASSEMBLY, LA324 INTERFACE (ANSI/XL24 V2.1)(for LA324-A3)		29-27862-02	B-N	
2	**Shield Assembly	78157049-001			
3	**Screw, Frame Ground	78147047-001			
4	**Screw, M3 x 6 (See Note)	78203459-209			
5	**Module, I/F	78148208-001			
	NOTE: This part included in Miscellaneous Hardware Kit (DEC Part No. 29-27886-01) See Figure 1.				

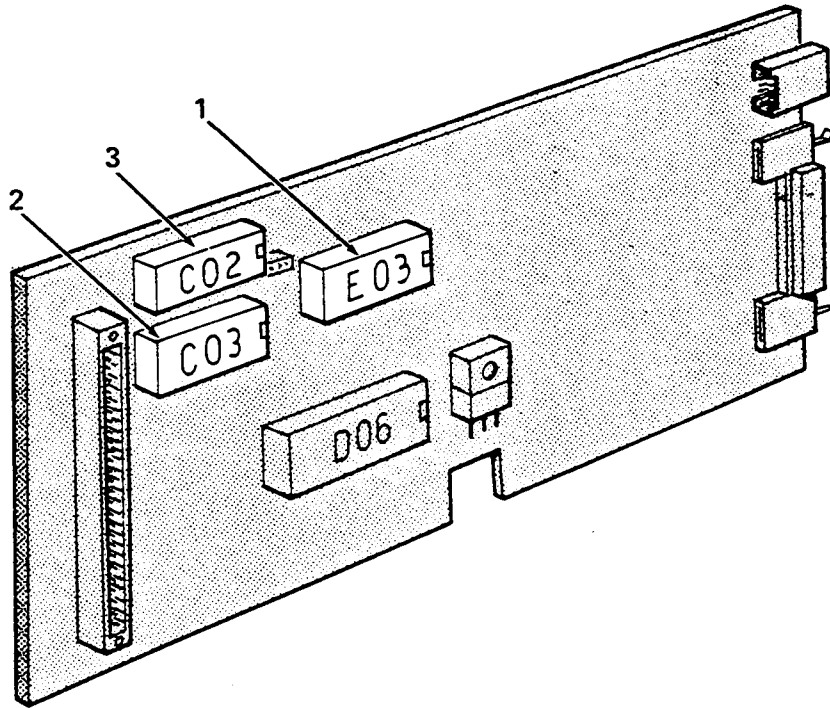


LA324-06-BD

Figure 6. Interface Module Assembly, LA324 PAR/SER



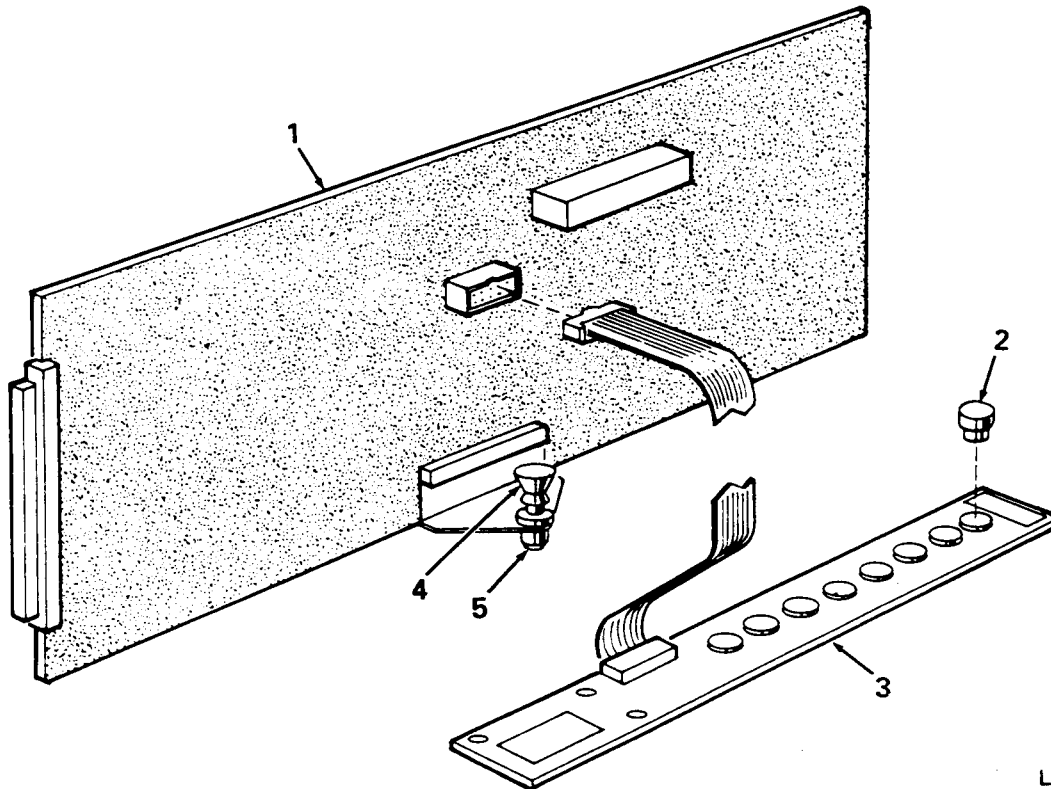
FIG. & ITEM NO.	DESCRIPTION	VENDOR PART NO.	DEC PART NO.	USED ON CODE	REF FIG NO.
7-	FIRMWARE MOUNTING, INTERFACE MODULE				
1	*EPROM, Interface	78152323-001			
2	*EPROM, D.A.	78152321-001			
3	*EPROM, Font	78152322-001			



LA324-07-BD

**Figure 7. Firmware Mounting, Interface Module**

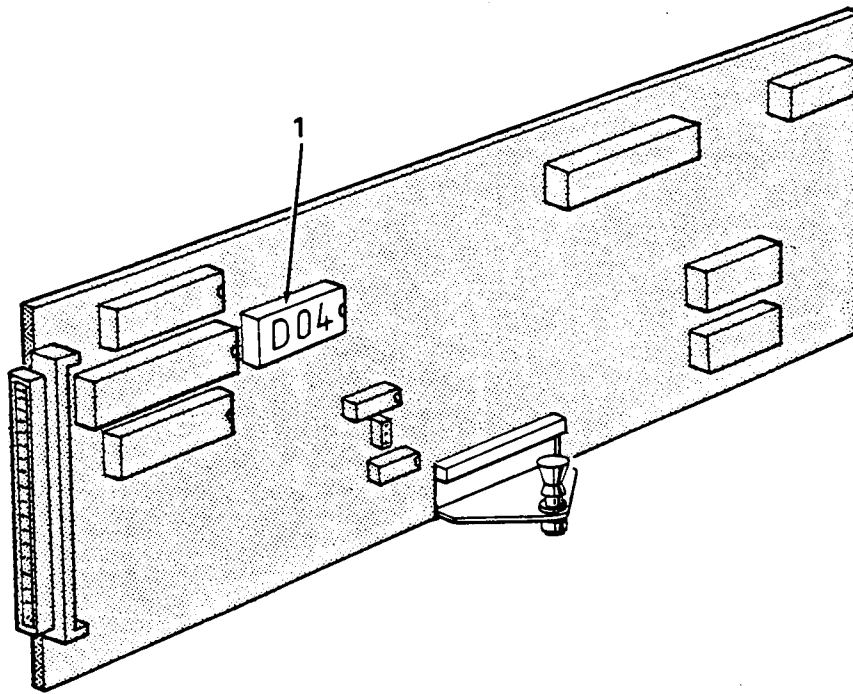
FIG. & ITEM NO.	DESCRIPTION	VENDOR PART NO.	DEC PART NO.	USED ON CODE	REF FIG NO.
8-	OPERATOR PANEL ASSEMBLY/ MAIN MODULE ASSEMBLY				
1	*Module, Main (for LA324-A2) *Module, Main (ANSI + XL/24 V2.1) (for LA324-A3)		29-27851-01 29-27851-02	A B-N	
2	*Button, Push (See Note 1)	78148160-001			
3	*Module, Operator Panel		29-27868-01		
4	*Bushing (See Note 2)	78203541-001			
5	*Button (See Note 2)	78203541-101			
	NOTE 1: This part included in LCD/Operator Panel Miscellaneous Kit. (DEC part No. 29-27881-01) See Fig. 1.				
	NOTE 2: This part included in Miscellaneous Parts Kit - (DEC Part No. 29-27883-01) See Fig. 1.				



LA324-07-BD

**Figure 8. Operator Panel Assembly/Main Module Assembly**

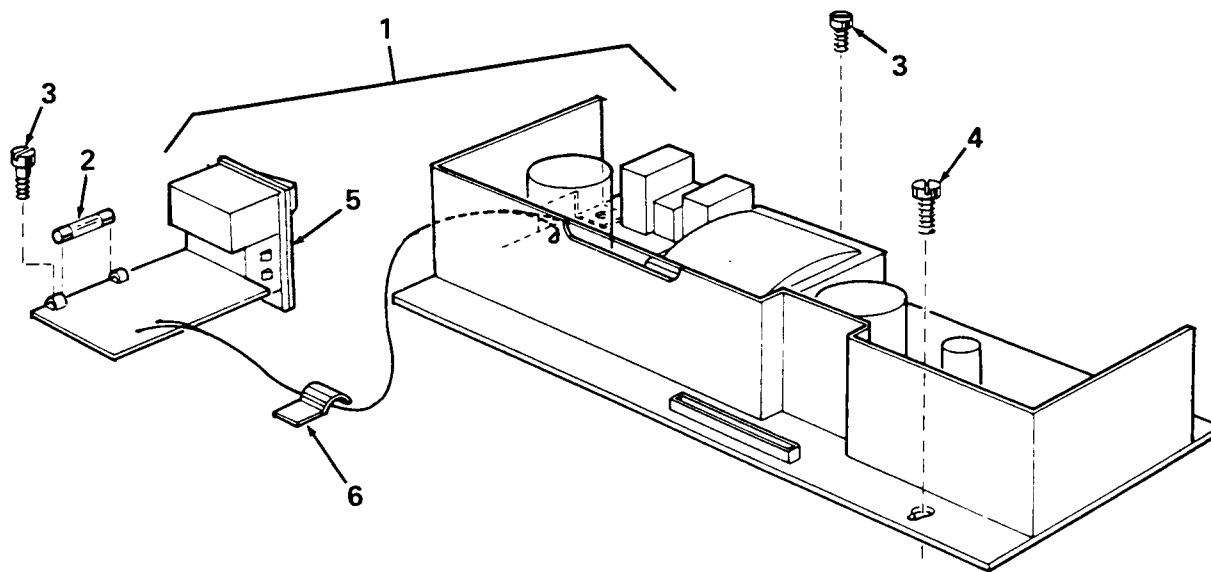
FIG. & ITEM NO.	DESCRIPTION	VENDOR PART NO.	DEC PART NO.	USED ON CODE	REF FIG NO.
9- 1	FIRMWARE MOUNTING, MAIN MODULE *EPROM, D.O.E	78152324-001			



LA324-09-BD

**Figure 9. Firmware Mounting, Main Module**

FIG. & ITEM NO.	DESCRIPTION	VENDOR PART NO.	DEC PART NO.	USED ON CODE	REF FIG NO.
10-	POWER SUPPLY ASSEMBLY, LA324 (PWA)				
1	*MODULE ASSEMBLY, POWER SUPPLY		29-27861-01		
2	**Fuse, 3A 250V Normal Blow		90-07217-00		
3	**Screw, M3.5 x 9.5 (See Note 1)	76951715-059			
4	**Screw, M4 x 8 (See Note 1)	78203459-319			
5	**Switch, Main		29-27873-01		
6	**Retainer, Cable (See Note 2)	78201015-060			
	NOTE 1: This part included in Miscellaneous Hardware Kit (DEC Part No. 29-27886-01) See Figure 1.				
	NOTE 2: This part included in Miscellaneous Parts Kit (DEC Part No. 29-27883-01) See Figure 1.				
					Ω



LA324-10-BD

Figure 10. Power Supply Assembly, LA324 (PWA)

# INDEX BY PART NUMBER

## LA324 MultiPrinter

PART NO.	DESCRIPTION	FIG NO.	ITEM NO.
03510004-002	Fastener, Self Lock Loop	1	Not Shown
03510004-002	Fastener, Self Lock Loop	3	27
12-25083-01	Connector, MMJ Loopback	1	Not Shown
17-00083-09	Cord, Power (125V)	1	Not Shown
17-00198-09	Cord, Power (250V)	1	Not Shown
17-00199-21	Cord, Power (250V)	1	Not Shown
17-00199-21	Cord, Power (250V)	1	Not Shown
17-00199-21	Cord, Power (250V)	1	Not Shown
17-00199-21	Cord, Power (250V)	1	Not Shown
17-00199-21	Cord, Power (250V)	1	Not Shown
17-00199-21	Cord, Power (250V)	1	Not Shown
17-00199-21	Cord, Power (250V)	1	Not Shown
17-00209-15	Cord, Power (250V)	1	Not Shown
17-00210-13	Cord, Power (250V)	1	Not Shown
17-00310-08	Cord, Power (250V)	1	Not Shown
17-00364-18	Cord, Power (250V)	1	Not Shown
17-00457-16	Cord, Power (250V)	1	Not Shown
17-00811-02	Cable, 10 Ft. Data w/ 2 MMJ (BC16E-10)	1	Not Shown
17-00811-02	Cable, 10 Ft. Data w/ 2 MMJ (BC16E-10)	1	Not Shown
17-00811-02	Cable, 10 Ft. Data w/ 2 MMJ (BC16E-10)	1	Not Shown
17-00811-02	Cable, 10 Ft. Data w/ 2 MMJ (BC16E-10)	1	Not Shown
17-00811-02	Cable, 10 Ft. Data w/ 2 MMJ (BC16E-10)	1	Not Shown
17-00811-02	Cable, 10 Ft. Data w/ 2 MMJ (BC16E-10)	1	Not Shown
17-00811-02	Cable, 10 Ft. Data w/ 2 MMJ Serial (BC16E-10)	1	Not Shown
17-00811-02	Cable, 10 Ft. Data w/ 2 MMJ (BC16E-10)	1	Not Shown
17-00811-02	Cable, 10 Ft. Data w/ 2 MMJ (BC16E-10)	1	Not Shown
17-00811-02	Cable, 10 Ft. Data w/ 2 MMJ (BC16E-10)	1	Not Shown
17-00811-02	Cable, 10 Ft. Data w/ 2 MMJ (BC16E-10)	1	Not Shown
17-00811-02	Cable, 10 Ft. Data w/ 2 MMJ (BC16E-10)	1	Not Shown
17-00811-02	Cable, 10 Ft. Data w/ 2 MMJ (BC16E-10)	1	Not Shown
17-01364-01	Cable, Shielded	1	Not Shown
17-01516-00	Cable, 10 Ft. Parallel (BC19M-10)	1	Not Shown
29-27843-01	Print Head Assembly, 24 Needles	5	25
29-27844-01	Protector, Cable (Set of 5)	3	14
29-27845-01	Fan Assembly	2	12
29-27846-01	Cover, Cartridge Area	4	14
29-27847-01	Cover, Interface Module	4	16
29-27848-01	Cover Group Assembly, Rear	4	15
29-27849-01	Base Assembly	2	7
29-27850-01	Cable, Print Head	5	27
29-27850-01	Cable, Print Head	3	13
29-27851-01	Module, Main (for LA324-A2)	8	1
29-27851-02	Module, Main (ANSI = XL/24 V2.1) (for LA324-A3)	8	1
29-27853-01	Motor Assembly, Paper	3	9
29-27854-01	Motor Assembly, Carriage	3	12
29-27855-01	Roll Assembly	3	29
29-27856-01	Mask, Print Head	3	36
29-27857-01	Label, "Control Panel" (English)	4	13
29-27858-01	Carriage Unit	3	4
29-27858-01	CARRIAGE ASSEMBLY/PRINT HEAD	5	N/A
29-27859-01	Sensor Assembly, Roll	3	30
29-27860-01	Platen Assembly	3	32
29-27861-01	MODULE ASSEMBLY, POWER SUPPLY	10	1

**INDEX BY PART NUMBER**  
LA324 MultiPrinter

PART NO.	DESCRIPTION	FIG NO.	ITEM NO.
29-27862-01	MODULE ASSEMBLY, LA324 INTERFACE (for LA342-A2)	6	1
29-27862-02	MODULE ASSEMBLY, LA324 INTERFACE (ANSI XL 24 V2.1)(for LA324-A3)	6	1
29-27864-01	Cover Assembly, Transparent	4	11
29-27865-01	Cabinet Assembly	4	12
29-27866-01	CHUTE ASSEMBLY, PAPER	4	1
29-27867-01	Cable Assembly, Sensors	3	23
29-27868-01	Module, Operator Panel	8	3
29-27869-01	Support, Paper	3	11
29-27870-01	Electromagnet Assembly	3	79
29-27871-01	Presser	3	63
29-27872-01	DISPLAY ASSEMBLY, LCD	4	22
29-27873-01	Switch, Main	10	5
29-27874-01	Tractor, Left	3	19
29-27875-01	Tractor, Right	3	10
29-27876-01	Belt, Paper (Set of 5)	3	40
29-27877-01	Belt, Carriage (Set of 5)	3	64
29-27878-01	Bail Assembly, Paper	3	31
29-27879-01	Support, Operator Panel	2	8
29-27880-01	MECHANISM SUB-ASSEMBLY, w/o PRINTHEAD	2	2
29-27880-01	MECHANISM SUB-ASSEMBLY, w/o PRINTHEAD	3	N/A
29-27881-01	KIT, LCD/OPERATOR PANEL MISC.	1	Not Shown
29-27882-01	KIT, MAIN COVER MISCELLANEOUS	1	Not Shown
29-27883-01	KIT, LA324 MISCELLANEOUS PARTS	1	Not Shown
29-27884-01	KIT 1, LA324 MECHANICAL ASSEMBLY MISCELLANEOUS	1	Not Shown
29-27885-01	KIT 2, LA324 MECHANICAL ASSEMBLY MISCELLANEOUS	1	Not Shown
29-27886-01	KIT, LA324 MISCELLANEOUS HARDWARE	1	Not Shown
29-27887-01	Connector, Parallel Loopback	1	Not Shown
29-27888-01	String, Nylon	3	53
34-32001-01	Catcher, Paper	1	Not Shown
36-31627-02	Label, "Control Panel French"	1	Not Shown
36-31627-03	Label, "Control Panel/German"	1	Not Shown
36-31627-04	Label, "Control Panel/Spanish"	1	Not Shown
36-31627-05	Label, "Control Panel /Italian"	1	Not Shown
36-31627-06	Label, "Control Panel Holland/Dutch"	1	Not Shown
76951108-633	Screw, M6 x 10	3	59
76951108-633	Screw, M6 x 10	1	Not Shown
76951120-490	Nut, M3	1	Not Shown
76951120-490	Nut, M3	3	86
76951126-490	Washer, Flat 3.2	5	24
76951126-620	Washer, D6.5	1	Not Shown
76951126-620	Washer, Flat D 6.5	3	5
76951128-620	Washer, D6.4	1	Not Shown
76951128-620	Washer, D6.4	3	61
76951706-023	Ring, Benzing D2.3	3	49
76951706-023	Ring, Benzing D2.3	1	Not Shown
76951706-032	Ring, Benzing D3.2	1	Not Shown
76951706-032	Ring, Benzing D3.2	3	44
76951706-040	Ring, Benzing D4	5	2
76951706-040	Ring, Benzing D4	1	Not Shown

**INDEX BY PART NUMBER**  
LA324 MultiPrinter

PART NO.	DESCRIPTION	FIG NO.	ITEM NO.
76951706-040	Ring, Benzing D4	5	15
76951706-050	Ring, Benzing D5	1	Not Shown
76951706-050	Ring, Benzing D5	3	21
76951706-070	Ring, Benzing D7	1	Not Shown
76951706-070	Ring, Benzing D7	3	56
76951715-045	Screw, M2.9 x 6.5	1	Not Shown
76951715-045	Screw, M2.9 x 6.5	3	38
76951715-059	Screw, 3.5 x 9.5	2	14
76951715-059	Screw, M3.5 x 9.5	1	Not Shown
76951715-059	Screw, M3.5 x 9.5	10	3
78123449-002	Bushing	3	20
78123449-002	Bushing	1	Not Shown
78136029-001	Spring, Flat	4	6
78137804-001	Foot, Rubber	2	11
78138010-002	Gear	1	Not Shown
78138010-002	Gear	3	7
78138529-001	Spring, Wire	3	18
78138529-001	Spring, Wire	1	Not Shown
78140939-004	Bracket	5	1
78141911-004	Lever, Drive Selection	4	9
78141911-004	Lever, Drive Selection	1	Not Shown
78141912-004	Lever, Paper Thickness	1	Not Shown
78141912-004	Lever, Paper Thickness	4	10
78141914-003	Guide, Left	4	4
78141915-003	Guide, Right	4	5
78141934-003	Chute, Paper	4	3
78142120-002	Shaft	3	52
78142124-001	Shaft	3	16
78142127-002	Shaft	3	17
78142128-001	Pulley	3	69
78142128-001	Pulley	1	Not Shown
78142131-001	Lever, Inner Copy	3	22
78142131-001	Lever, Inner Copy	1	Not Shown
78142134-001	Lever, Internal Copy	1	Not Shown
78142134-001	Lever, Internal Copy	3	46
78142135-001	Spring	5	4
78142139-002	Gear	3	48
78142139-002	Gear	1	Not Shown
78142144-001	Clamp, Belt	5	17
78142146-001	Lever, Internal T/F	3	42
78142146-001	Lever, Internal T/F	1	Not Shown
78142150-002	Vibrodamp	1	Not Shown
78142150-002	Vibrodamp	3	25
78142156-001	Pivot	5	12
78142157-001	Pivot	5	11
78142164-001	Spring, T/F	1	Not Shown
78142164-001	Spring, T/F	3	6
78142174-001	Cam	5	22
78142181-002	Pulley	3	65
78142195-001	Plate, Print Head Cable	1	Not Shown
78142195-001	Plate, Print Head Cable	3	15
78142200-001	Plate	3	26
78142204-002	Roller	1	Not Shown
78142204-002	Roller	3	43

**INDEX BY PART NUMBER**  
LA324 MultiPrinter

PART NO.	DESCRIPTION	FIG NO.	ITEM NO.
78142206-001	Vibrodamp	1	Not Shown
78142206-001	Vibrodamp	3	72
78142210-002	Shield, Filter	2	4
78142210-002	Shield, Filter	1	Not Shown
78142213-002	Roller Assembly, Pressure	3	41
78142421-001	Spring, Paper Bail	3	66
78142421-001	Spring, Paper Bail	1	Not Shown
78142435-001	Shaft Assembly	3	8
78142736-001	Spring, Roll	3	62
78142736-001	Spring, Roll	1	Not Shown
78143146-001	Cover, Pulley	1	Not Shown
78143159-003	Bar, Paper Input Control	2	10
78143161-002	Slider Assembly	4	19
78143161-002	Slider Assembly	1	Not Shown
78143162-001	Plate	3	76
78143652-002	Separator	3	75
78144288-001	Bar, Paper Support	4	7
78144289-003	Guide, Paper	4	8
78144291-001	Gear	5	14
78144292-002	Pulley Assembly	5	18
78144304-002	Pivot	1	Not Shown
78144304-002	Pivot	3	80
78144451-001	Ground Strip	1	Not Shown
78144451-001	Ground Strip	2	5
78144459-002	Carriage Assembly	5	7
78144911-002	Cap	1	Not Shown
78144911-002	Cap	4	2
78146205-001	Reverse Assembly, Ribbon	5	16
78146223-001	Stud	3	55
78146680-002	Spring	3	85
78147034-001	Pulley Assembly	1	Not Shown
78147034-001	Pulley Assembly	3	47
78147040-001	Ring	3	37
78147047-001	Screw, Frame Ground	6	3
78147050-001	Shield Assembly, Lower	2	6
78147056-001	Plate	3	70
78147526-001	Module, Display	4	25
78147530-002	Cap, Right Panel	1	Not Shown
78147530-002	Cap, Right Panel	4	18
78147531-001	Button, Push	4	21
78147539-001	Bracket	3	24
78147544-002	Window, Display	4	24
78147837-002	T-Plate	3	82
78147854-001	Cover, Print Head Safety	1	Not Shown
78147854-001	Cover, Print Head Safety	5	26
78147873-001	Washer, 52/24	1	Not Shown
78147873-001	Washer, 52/54	3	39
78148085-001	Oilfelt	5	10
78148086-001	Flange	5	6
78148093-001	Roller	3	28
78148094-003	Lever, Right	3	68
78148140-001	Damper, Fan	1	Not Shown
78148140-001	Damper, Fan	2	13



**INDEX BY PART NUMBER**  
LA324 MultiPrinter

PART NO.	DESCRIPTION	FIG NO.	ITEM NO.
78148149-001	Stud	1	Not Shown
78148149-001	Stud	3	71
78148151-001	Pulley Assembly	3	73
78148153-001	Frame Assembly, Right Side	3	2
78148159-003	Lever Assembly, Left	3	33
78148160-001	Button, Push	8	2
78148160-001	Button, Push	1	Not Shown
78148173-001	Bearing, Bracket	3	35
78148173-001	Bracket, Bearing	1	Not Shown
78148176-001	Drive Assembly	5	13
78148208-001	Module, I/F	6	5
78148214-001	Damper Assembly	3	84
78148985-002	Lever	3	81
78148987-001	Bracket Assembly	3	78
78149034-001	Washer, D5	3	89
78149034-001	Washer, D5	1	Not Shown
78149742-001	Support, Shaft	1	Not Shown
78149742-001	Support, Shaft	3	88
78149755-001	Cover, Upper Display	4	23
78149755-001	Cover, Upper Display	1	Not Shown
78149756-001	Cover, Lower Display	4	26
78149756-001	Cover, Lower Display	1	Not Shown
78149767-001	Lever	5	21
78149780-001	Frame, Base	3	1
78149783-001	Plate, Print Head	1	Not Shown
78149783-001	Plate, Print Head	3	74
78152321-001	EPROM, D.A.	7	2
78152322-001	EPROM, Font	7	3
78152323-001	EPROM, Interface	7	1
78152324-001	EPROM, D.O.E	9	1
78157049-001	Shield Assembly	6	2
78201015-030	Clamp, Cable	2	16
78201015-060	Retainer, Cable	10	6
78201015-060	Retainer, Cable	1	Not Shown
78201307-001	Magnet	1	Not Shown
78201307-001	Magnet	4	17
78201359-001	Ferrite Core	2	9
78201359-001	Ferrite Core	1	Not Shown
78201541-002	Motor Assembly, Color	5	8
78203215-057	Screw, M2 x 8	3	60
78203215-057	Screw, M2 x 8	1	Not Shown
78203216-128	Screw, M3 x 8	1	Not Shown
78203230-035	Screw, M2.9 x 9.5	1	Not Shown
78203230-035	Screw, M2.9 x 9.5	3	77
78203230-035	Screw, M2.9 x 9.5	1	Not Shown
78203230-035	Screw, M2.9 x 9.5	5	19
78203247-002	Bearing	1	Not Shown
78203247-002	Bearing	3	34
78203286-006	Washer, D3.2	1	Not Shown
78203286-006	Washer, D3.2	3	57
78203376-008	Washer, D4	5	20

**INDEX BY PART NUMBER**  
LA324 MultiPrinter

PART NO.	DESCRIPTION	FIG NO.	ITEM NO.
78203386-029	Screw, M3 x 14	1	Not Shown
78203386-029	Screw, M3 x 14	5	23
78203386-148	Screw, M4 x 95	1	Not Shown
78203459-208	Screw, M3 x 4	1	Not Shown
78203459-208	Screw, M3 x 4	3	50
78203459-209	Screw, M3 x 6	6	4
78203459-209	Screw, M3 x 6	3	54
78203459-209	Screw, M3 x 6	1	Not Shown
78203459-209	Screw, M3 x 6	3	83
78203459-212	Screw, M3 x 12	3	87
78203459-212	Screw, M3 x 12	1	Not Shown
78203459-219	Screw, M4 x 8	3	45
78203459-219	Screw, M4 x 8	4	20
78203459-219	Screw, M4 x 8	2	3
78203459-219	Screw, M4 x 8	1	Not Shown
78203459-219	Screw, M4 x 8	1	Not Shown
78203459-302	Screw, M2.5 x 6	5	9
78203459-318	Screw, M4 x 6	2	15
78203459-318	Screw, M4 x 6	1	Not Shown
78203459-319	Screw, M4 x 8	10	4
78203459-319	Screw, M4 x 8	3	58
78203459-319	Screw, M4 x 8	1	Not Shown
78203460-109	Screw, M3 x 6	5	3
78203460-109	Screw, M3 x 6	1	Not Shown
78203460-110	Screw, M3 x 8	3	67
78203460-110	Screw, M3 x 8	1	Not Shown
78203471-011	Roller, 2 x 9.8	5	5
78203541-001	Bushing	8	4
78203541-001	Bushing	1	Not Shown
78203541-101	Button	1	Not Shown
78203541-101	Button	8	5
78203555-001	Bushing, Carriage	3	51
78203555-001	Bushing, Carriage	1	Not Shown
78208152-001	Frame Assembly, Left Side	3	3
8143146-001	Cover, Pulley Not Shown	2	1
90-07217-00	Fuse, 3A 250V Normal Blow	10	2
BC19M-10	Cable, Parallel Interface (17-01516-00)	1	Not Shown
EK-324GA-IN	Documentation, Installation Guide (German)	1	Not Shown
EK-324GA-OP	Documentation, Operator's Guide (German)	1	Not Shown
EK-324GA-SP	Insert, Spine (German)	1	Not Shown
EK-324HA-IN	Documentation, Installation Guide (Dutch)	1	Not Shown
EK-324HA-OP	Documentation, Operator's Guide (Dutch)	1	Not Shown
EK-324HA-SP	Insert, Spine (Dutch)	1	Not Shown
EK-324PA-IN	Documentation, Installation Guide (French)	1	Not Shown
EK-324PA-OP	Documentation, Operator's Guide (French)	1	Not Shown
EK-324PA-OP	Insert, Spine (French)	1	Not Shown
EK-324SA-IN	Documentation, Installation Guide (Spanish)	1	Not Shown
EK-324SA-OP	Documentation, Operator's Guide (Spanish)	1	Not Shown
EK-324SA-SP	Insert, Spine (Spanish)	1	Not Shown

# INDEX BY PART NUMBER

## LA324 MultiPrinter

PART NO.	DESCRIPTION	FIG NO.	ITEM NO.
EK-324UA-IN	Documentation, Installation Guide (Italian)	1	Not Shown
EK-324UA-OP	Documentation, Operator's Guide (Italian)	1	Not Shown
EK-324UA-SP	Insert, Spine (Italian)	1	Not Shown
EK-LA24X-SF	Documentation, LA324 Automatic Sheet Feeder Installation and Operator's Guide	1	Not Shown
EK-LA324-DK	Binder, LA324 MultiPrinter Doc Kit	1	Not Shown
EK-LA324-IN	Documentation, Installation Guide (English)	1	Not Shown
EK-LA324-RM	Documentation, Programmer Reference	1	Not Shown
EK-LA324-SV	Documentation, LA324 Pocket Service Guide	1	Not Shown
EK-LA324-UG	Documentation, User Guide (English)	1	Not Shown
LA24R-KA	Ribbon Cartridge, Black (6/box)	1	Not Shown
LA24R-KC	Ribbon Cartridge, Color (6/box)	1	Not Shown
LA24X-AC	Cover, LA324 Acoustic	1	Not Shown
LA24X-CA	Font Cartridge, DEC Letter Gothic	1	Not Shown
LA24X-CB	Font Cartridge, DEC Orator	1	Not Shown
LA24X-CC	Font Cartridge, DEC Prestige Elite	1	Not Shown
LA24X-CD	Font Cartridge, IBM OCR-A	1	Not Shown
LA24X-CE	Font Cartridge, IBM OCR-B	1	Not Shown
LA24X-CF	Font Cartridge, IBM Presentor	1	Not Shown
LA24X-CG	Font Cartridge, DEC OCR-A	1	Not Shown
LA24X-CH	Font Cartridge, DEC OCR-B	1	Not Shown
LA24X-DS	Stand, LA324 Desk Top	1	Not Shown
LA24X-PS	STAND, LA324 PRINTER	1	Not Shown
LA24X-SF	Feeder, Automatic Triple Bin Cut Sheet	1	Not Shown
LA324-A2	PRINTER, UNIVERSAL (30-31861-01)	1	1
LA324-A3	PRINTER, UNIVERSAL (30-31861-02)	1	1
LA324-AB	LA324-AB MultiPrinter, Belgium (German, French, Dutch)	1	N/A
LA324-AD	LA324-AD MultiPrinter, Denmark	1	N/A
LA324-AE	LA324-AE MultiPrinter, UK & Ireland	1	N/A
LA324-AG	LA324-AG MultiPrinter, Germany & Austria	1	N/A
LA324-AH	LA324-AH MultiPrinter, Holland	1	N/A
LA324-AI	LA324-AI MultiPrinter, Italy	1	N/A
LA324-AP	LA324-AP MultiPrinter, France	1	N/A
LA324-AS	LA324-AS MultiPrinter, Spain	1	N/A
LA324-AT	LA324-AT MultiPrinter, Israel	1	N/A
LA324-AZ	LA324-AZ MultiPrinter, Australia & New Zealand	1	N/A
LA324-CA	LA324-CA MultiPrinter, USA & Canada	1	N/A
LA324-CB	LA324-CB MultiPrinter, Switzerland (German/French/Italian)	1	N/A
LA324-CC	LA324-CC MultiPrinter, Finland, Norway, Portugal, Sweden	1	N/A
LA324-KB	KIT, BELGIUM/GERMAN/FRENCH/DUTCH COUNTRY	1	Not Shown
LA324-KD	KIT, DENMARK/DANISH COUNTRY	1	Not Shown
LA324-KE	KIT, UNITED KINGDOM & IRELAND/ENGLISH COUNTRY	1	Not Shown
LA324-KG	KIT, GERMANY & AUSTRIA/GERMAN COUNTRY	1	Not Shown
LA324-KH	KIT, HOLLAND/DUTCH COUNTRY	1	Not Shown
LA324-KI	KIT, ITALY/ITALIAN COUNTRY	1	Not Shown
LA324-KP	KIT, FRANCE/FRENCH COUNTRY	1	Not Shown
LA324-KS	KIT, SPAIN/SPANISH COUNTRY	1	Not Shown
LA324-KT	KIT, ISRAEL/HEBREW	1	Not Shown
LA324-KZ	KIT, AUSTRALIA & NEW ZEALAND/ENGLISH COUNTRY	1	Not Shown

## INDEX BY PART NUMBER

### LA324 MultiPrinter

PART NO.	DESCRIPTION	FIG NO.	ITEM NO.
LA324-MA	KIT, USA & CANADA/ENGLISH COUNTRY (120V)	1	Not Shown
LA324-MB	KIT, SWITZERLAND/GERMAN/FRENCH/ ITALIAN COUNTRY	1	Not Shown
LA324-MC	KIT, FINLAND/NORWAY/PORTUGUAL/ SWEDEN COUNTRY	1	Not Shown
LA324X	Cartridge, Font	4	27
N/A	MECHANISM ASSEMBLY, GENERAL	2	N/A
N/A	MECHANISM ASSEMBLY, GENERAL	1	2
N/A	FIRMWARE MOUNTING, MAIN MODULE	9	N/A
N/A	INTERFACE MODULE ASSEMBLY, LA324 PAR/SER	6	N/A
N/A	OPERATOR PANEL ASSEMBLY/MAIN MODULE ASSEMBLY	8	N/A
N/A	COVER ASSEMBLY/OPERATOR PANEL	4	N/A
N/A	POWER SUPPLY ASSEMBLY, LA324 (PWA)	10	N/A
N/A	FIRMWARE MOUNTING, INTERFACE MODULE	7	N/A

**INDEX BY PART DESCRIPTION**  
LA324 MultiPrinter

DESCRIPTION	PART NO.	FIG. NO.	ITEM NO.
Bail Assembly, Paper	29-27878-01	3	31
Bar, Paper Input Control	78143159-003	2	10
Bar, Paper Support	78144288-001	4	7
Base Assembly	29-27849-01	2	7
Bearing	78203247-002	1	Not Shown
Bearing	78203247-002	3	34
Bearing, Bracket	78148173-001	3	35
Belt, Carriage (Set of 5)	29-27877-01	3	64
Belt, Paper (Set of 5)	29-27876-01	3	40
Binder, LA324 MultiPrinter Doc Kit	EK-LA324-DK	1	Not Shown
Bracket	78140939-004	5	1
Bracket	78147539-001	3	24
Bracket Assembly	78148987-001	3	78
Bracket, Bearing	78148173-001	1	Not Shown
Bushing	78203541-001	8	4
Bushing	78123449-002	3	20
Bushing	78123449-002	1	Not Shown
Bushing	78203541-001	1	Not Shown
Bushing, Carriage	78203555-001	3	51
Bushing, Carriage	78203555-001	1	Not Shown
Button	78203541-101	1	Not Shown
Button	78203541-101	8	5
Button, Push	78147531-001	4	21
Button, Push	78148160-001	1	Not Shown
Button, Push	78148160-001	8	2
Cabinet Assembly	29-27865-01	4	12
Cable Assembly, Sensors	29-27867-01	3	23
Cable, 10 Ft. Data w/ 2 MMJ Serial (BC16E-10)	17-00811-02	1	Not Shown
Cable, 10 Ft. Parallel (BC19M-10)	17-01516-00	1	Not Shown
Cable, Parallel Interface (17-01516-00)	BC19M-10	1	Not Shown
Cable, Print Head	29-27850-01	5	27
Cable, Print Head	29-27850-01	3	13
Cable, Shielded	17-01364-01	1	Not Shown
Cam	78142174-001	5	22
Cap	78144911-002	4	2
Cap	78144911-002	1	Not Shown
Cap, Right Panel	78147530-002	4	18
Cap, Right Panel	78147530-002	1	Not Shown
Carriage Assembly	78144459-002	5	7
CARRIAGE ASSEMBLY/PRINT HEAD	29-27858-01	5	N/A
Carriage Unit	29-27858-01	3	4
Cartridge, Font	LA324X	4	27
Catcher, Paper	34-32001-01	1	Not Shown
CHUTE ASSEMBLY, PAPER	29-27866-01	4	1
Chute, Paper	78141934-003	4	3
Clamp, Belt	78142144-001	5	17
Clamp, Cable	78201015-030	2	16
Connector, MMJ Loopback	12-25083-01	1	Not Shown
Connector, Parallel Loopback	29-27887-01	1	Not Shown
Cord, Power (125V)	17-00083-09	1	Not Shown
Cord, Power (250V)	17-00199-21	1	Not Shown
Cord, Power (250V)	17-00209-15	1	Not Shown
Cord, Power (250V)	17-00310-08	1	Not Shown

# INDEX BY PART DESCRIPTION

## LA324 MultiPrinter

DESCRIPTION	PART NO.	FIG. NO.	ITEM NO.
Cord, Power (250V)	17-00210-13	1	Not Shown
Cord, Power (250V)	17-00198-09	1	Not Shown
Cord, Power (250V)	17-00364-18	1	Not Shown
Cord, Power (250V)	17-00457-16	1	Not Shown
<b>COVER ASSEMBLY/OPERATOR PANEL</b>	N/A	4	N/A
Cover Assembly, Transparent	29-27864-01	4	11
Cover Group Assembly, Rear	29-27848-01	4	15
Cover, Cartridge Area	29-27846-01	4	14
Cover, Interface Module	29-27847-01	4	16
Cover, LA324 Acoustic	LA24X-AC	1	Not Shown
Cover, Lower Display	78149756-001	4	26
Cover, Lower Display	78149756-001	1	Not Shown
Cover, Print Head Safety	78147854-001	1	Not Shown
Cover, Print Head Safety	78147854-001	5	26
Cover, Pulley	78143146-001	1	Not Shown
Cover, Pulley Not Shown	8143146-001	2	1
Cover, Upper Display	78149755-001	4	23
Cover, Upper Display	78149755-001	1	Not Shown
<b>Damper Assembly</b>	78148214-001	3	84
Damper, Fan	78148140-001	1	Not Shown
Damper, Fan	78148140-001	2	13
<b>DISPLAY ASSEMBLY, LCD</b>	29-27872-01	4	22
Documentation, LA324 Automatic Sheet Feeder Installation and Operator's Guide	EK-LA24X-SF	1	Not Shown
Documentation, Installation Guide (Dutch)	EK-324HA-IN	1	Not Shown
Documentation, Installation Guide (English)	EK-LA324-IN	1	Not Shown
Documentation, Installation Guide (French)	EK-324PA-IN	1	Not Shown
Documentation, Installation Guide (German)	EK-324GA-IN	1	Not Shown
Documentation, Installation Guide (Italian)	EK-324UA-IN	1	Not Shown
Documentation, Installation Guide (Spanish)	EK-324SA-IN	1	Not Shown
Documentation, LA324 Pocket Service Guide	EK-LA324-SV	1	Not Shown
Documentation, Operator's Guide (Dutch)	EK-324HA-OP	1	Not Shown
Documentation, Operator's Guide (French)	EK-324PA-OP	1	Not Shown
Documentation, Operator's Guide (German)	EK-324GA-OP	1	Not Shown
Documentation, Operator's Guide (Italian)	EK-324UA-OP	1	Not Shown
Documentation, Operator's Guide (Spanish)	EK-324SA-OP	1	Not Shown
Documentation, Programmer Reference	EK-LA324-RM	1	Not Shown
Documentation, User Guide (English)	EK-LA324-UG	1	Not Shown
<b>Drive Assembly</b>	78148176-001	5	13
<b>Electromagnet Assembly</b>	29-27870-01	3	79
EPROM, D.A.	78152321-001	7	2
EPROM, D.O.E	78152324-001	9	1
EPROM, Font	78152322-001	7	3
EPROM, Interface	78152323-001	7	1
<b>Fan Assembly</b>	29-27845-01	2	12
Fastener, Self Lock Loop	03510004-002	3	27
Fastener, Self Lock Loop	03510004-002	1	Not Shown
Feeder, Automatic Triple Bin Cut Sheet	LA24X-SF	1	Not Shown
Ferrite Core	78201359-001	1	Not Shown
Ferrite Core	78201359-001	2	9
<b>FIRMWARE MOUNTING, INTERFACE MODULE</b>	N/A	7	N/A
<b>FIRMWARE MOUNTING, MAIN MODULE</b>	N/A	9	N/A
Flange	78148086-001	5	6

# INDEX BY PART DESCRIPTION

## LA324 MultiPrinter

DESCRIPTION	PART NO.	FIG. NO.	ITEM NO.
Font Cartridge, DEC Letter Gothic	LA24X-CA	1	Not Shown
Font Cartridge, DEC OCR-A	LA24X-CG	1	Not Shown
Font Cartridge, DEC OCR-B	LA24X-CH	1	Not Shown
Font Cartridge, DEC Orator	LA24X-CB	1	Not Shown
Font Cartridge, DEC Prestige Elite	LA24X-CC	1	Not Shown
Font Cartridge, IBM OCR-A	LA24X-CD	1	Not Shown
Font Cartridge, IBM OCR-B	LA24X-CE	1	Not Shown
Font Cartridge, IBM Presentor	LA24X-CF	1	Not Shown
Foot, Rubber	78137804-001	2	11
Frame Assembly, Left Side	78208152-001	3	3
Frame Assembly, Right Side	78148153-001	3	2
Frame, Base	78149780-001	3	1
Fuse, 3A 250V Normal Blow	90-07217-00	10	2
Gear	78144291-001	5	14
Gear	78142139-002	3	48
Gear	78138010-002	1	Not Shown
Gear	78142139-002	1	Not Shown
Gear	78138010-002	3	7
Ground Strip	78144451-001	1	Not Shown
Ground Strip	78144451-001	2	5
Guide, Left	78141914-003	4	4
Guide, Paper	78144289-003	4	8
Guide, Right	78141915-003	4	5
Insert, Spine (Dutch)	EK-324HA-SP	1	Not Shown
Insert, Spine (French)	EK-324PA-SP	1	Not Shown
Insert, Spine (German)	EK-324GA-SP	1	Not Shown
Insert, Spine (Italian)	EK-324UA-SP	1	Not Shown
Insert, Spine (Spanish)	EK-324SA-SP	1	Not Shown
KIT 1, LA324 MECHANICAL ASSEMBLY MISCELLANEOUS	29-27884-01	1	Not Shown
KIT 2, LA324 MECHANICAL ASSEMBLY MISCELLANEOUS	29-27885-01	1	Not Shown
KIT, AUSTRALIA & NEW ZEALAND/ENGLISH COUNTRY	LA324-KZ	1	Not Shown
KIT, BELGIUM/GERMAN/FRENCH/DUTCH COUNTRY	LA324-KB	1	Not Shown
KIT, DENMARK/DANISH COUNTRY	LA324-KD	1	Not Shown
KIT, FINLAND/NORWAY/PORTUGUAL/SWEDEN COUNTRY	LA324-MC	1	Not Shown
KIT, FRANCE/FRENCH COUNTRY	LA324-KP	1	Not Shown
KIT, GERMANY & AUSTRIA/GERMAN COUNTRY	LA324-KG	1	Not Shown
KIT, HOLLAND/DUTCH COUNTRY	LA324-KH	1	Not Shown
KIT, ISRAEL/HEBREW	LA324-KT	1	Not Shown
KIT, ITALY/ITALIAN COUNTRY	LA324-KI	1	Not Shown
KIT, LA324 MISCELLANEOUS HARDWARE	29-27886-01	1	Not Shown
KIT, LA324 MISCELLANEOUS PARTS	29-27883-01	1	Not Shown
KIT, LCD/OPERATOR PANEL MISC.	29-27881-01	1	Not Shown
KIT, MAIN COVER MISCELLANEOUS	29-27882-01	1	Not Shown
KIT, SPAIN/SPANISH COUNTRY	LA324-KS	1	Not Shown
KIT, UNITED KINGDOM & IRELAND/ENGLISH COUNTRY	LA324-KE	1	Not Shown
KIT, USA & CANADA/ENGLISH COUNTRY (120V)	LA324-MA	1	Not Shown
KIT, SWITZERLAND/GERMAN/FRENCH/ITALIAN COUNTRY	LA324-MB	1	Not Shown
LA324 MultiPrinter (120/240V - 50/60Hz)	N/A	1	N/A
LA324-AB MultiPrinter, Belgium (German, French, Dutch)	LA324-AB	1	N/A
LA324-AD MultiPrinter, Denmark	LA324-AD	1	N/A
LA324-AE MultiPrinter, UK & Ireland	LA324-AE	1	N/A
LA324-AG MultiPrinter, Germany & Austria	LA324-AG	1	N/A
LA324-AH MultiPrinter, Holland	LA324-AH	1	N/A
LA324-AI MultiPrinter, Italy	LA324-AI	1	N/A

# INDEX BY PART DESCRIPTION

## LA324 MultiPrinter

DESCRIPTION	PART NO.	FIG. NO.	ITEM NO.
LA324-AP MultiPrinter, France	LA324-AP	1	N/A
LA324-AS MultiPrinter, Spain	LA324-AS	1	N/A
LA324-AT MultiPrinter, Israel	LA324-AT	1	N/A
LA324-AZ MultiPrinter, Australia & New Zealand	LA324-AZ	1	N/A
LA324-CA MultiPrinter, USA & Canada	LA324-CA	1	N/A
LA324-CB MultiPrinter, Switzerland (Gr./Fr./It.)	LA324-CB	1	N/A
LA324-CC MultiPrinter, Finland, Norway, Portugal, Sweden	LA324-CC	1	N/A
Label, "Control Panel/French"	36-31627-02	1	Not Shown
Label, "Control Panel/German"	36-31627-03	1	Not Shown
Label, "Control Panel Holland/Dutch"	36-31627-06	1	Not Shown
Label, "Control Panel" (English)	29-27857-01	4	13
Label, "Control Panel/French"	36-31627-02	1	Not Shown
Label, "Control Panel/Italian"	36-31627-05	1	Not Shown
Label, "Control Panel/Spanish"	36-31627-04	1	Not Shown
Lever	78149767-001	5	21
Lever	78148985-002	3	81
Lever Assembly, Left	78148159-003	3	33
Lever, Drive Selection	78141911-004	4	9
Lever, Drive Selection	78141911-004	1	Not Shown
Lever, Inner Copy	78142131-001	1	Not Shown
Lever, Inner Copy	78142131-001	3	22
Lever, Internal Copy	78142134-001	1	Not Shown
Lever, Internal Copy	78142134-001	3	46
Lever, Internal T/F	78142146-001	1	Not Shown
Lever, Internal T/F	78142146-001	3	42
Lever, Paper Thickness	78141912-004	4	10
Lever, Paper Thickness	78141912-004	1	Not Shown
Lever, Right	78148094-003	3	68
Magnet	78201307-001	4	17
Magnet	78201307-001	1	Not Shown
Mask, Print Head	29-27856-01	3	36
MECHANISM ASSEMBLY, GENERAL	N/A	2	N/A
MECHANISM ASSEMBLY, GENERAL	N/A	1	2
MECHANISM SUB-ASSEMBLY, w/o PRINTHEAD	29-27880-01	2	2
MECHANISM SUB-ASSEMBLY, w/o PRINTHEAD	29-27880-01	3	N/A
MODULE ASSEMBLY, LA324 INTERFACE	29-27862-02	6	1
MODULE ASSEMBLY, POWER SUPPLY	29-27861-01	10	1
Module, Display	78147526-001	4	25
Module, I/F	78148208-001	6	5
Module, Main (for LA324-A2)	29-27851-01	8	1
Module, Main (ANSI + XL/24 V2.1) (for LA324-A3)	29-27851-02	8	1
Module, Operator Panel	29-27868-01	8	3
MODULE ASSEMBLY, INTERFACE LA324 PAR/SER	N/A	6	N/A
Motor Assembly, Carriage	29-27854-01	3	12
Motor Assembly, Color	78201541-002	5	8
Motor Assembly, Paper	29-27853-01	3	9
Nut, M3	76951120-490	3	86
Nut, M3	76951120-490	1	Not Shown
Oilfelt	78148085-001	5	10
OPERATOR PANEL ASSEMBLY/MAIN MODULE ASSEMBLY	N/A	8	N/A
Pivot	78142157-001	5	11
Pivot	78144304-002	3	80
Pivot	78142156-001	5	12
Pivot	78144304-002	1	Not Shown



# INDEX BY PART DESCRIPTION

## LA324 MultiPrinter

DESCRIPTION	PART NO.	FIG. NO.	ITEM NO.
Plate	78147056-001	3	70
Plate	78143162-001	3	76
Plate	78142200-001	3	26
Plate, Print Head	78149783-001	3	74
Plate, Print Head	78149783-001	1	Not Shown
Plate, Print Head Cable	78142195-001	1	Not Shown
Plate, Print Head Cable	78142195-001	3	15
Platen Assembly	29-27860-01	3	32
POWER SUPPLY ASSEMBLY, LA324 (PWA)	N/A	10	N/A
Presser	29-27871-01	3	63
Print Head Assembly, 24 Needles	29-27843-01	5	25
PRINTER, UNIVERSAL (30-31861-01)	LA324-A2	1	1
PRINTER, UNIVERSAL (30-31861-02)	LA324-A3	1	1
Protector, Cable (Set of 5)	29-27844-01	3	14
Pulley	78142128-001	3	69
Pulley	78142181-002	3	65
Pulley	78142128-001	1	Not Shown
Pulley Assembly	78148151-001	3	73
Pulley Assembly	78144292-002	5	18
Pulley Assembly	78147034-001	1	Not Shown
Pulley Assembly	78147034-001	3	47
Retainer, Cable	78201015-060	10	6
Retainer, Cable	78201015-060	1	Not Shown
Reverse Assembly, Ribbon	78146205-001	5	16
Ribbon Cartridge, Black (6/box)	LA24R-KA	1	Not Shown
Ribbon Cartridge, Color (6/box)	LA24R-KC	1	Not Shown
Ring	78147040-001	3	37
Ring, Benzing D2.3	76951706-023	3	49
Ring, Benzing D2.3	76951706-023	1	Not Shown
Ring, Benzing D3.2	76951706-032	1	Not Shown
Ring, Benzing D3.2	76951706-032	3	44
Ring, Benzing D4	76951706-040	5	2
Ring, Benzing D4	76951706-040	5	15
Ring, Benzing D4	76951706-040	1	Not Shown
Ring, Benzing D5	76951706-050	1	Not Shown
Ring, Benzing D5	76951706-050	3	21
Ring, Benzing D7	76951706-070	3	56
Ring, Benzing D7	76951706-070	1	Not Shown
Roll Assembly	29-27855-01	3	29
Roller	78148093-001	3	28
Roller	78142204-002	3	43
Roller	78142204-002	1	Not Shown
Roller 2 x 9.8	78203471-011	5	5
Roller Assembly, Pressure	78142213-002	3	41
Screw, Frame Ground	78147047-001	6	3
Screw, M2 X 8	78203215-057	3	60
Screw, M2 x 8	78203215-057	1	Not Shown
Screw, M2.5 x 6	78203459-302	5	9
Screw, M2.9 x 6.5	76951715-045	3	38
Screw, M2.9 x 6.5	76951715-045	1	Not Shown
Screw, M2.9 x 9.5	78203230-035	3	77
Screw, M2.9 x 9.5	78203230-035	5	19
Screw, M2.9 x 9.5	78203230-035	1	Not Shown
Screw, M2.9 x 9.5	78203230-035	1	Not Shown

# INDEX BY PART DESCRIPTION

LA324 MultiPrinter

DESCRIPTION	PART NO.	FIG. NO.	ITEM NO.
Screw, M3 x 12	78203459-212	3	87
Screw, M3 x 12	78203459-212	1	Not Shown
Screw, M3 x 14	78203386-029	1	Not Shown
Screw, M3 x 14	78203386-029	5	23
Screw, M3 x 4	78203459-208	3	50
Screw, M3 x 4	78203459-208	1	Not Shown
Screw, M3 x 6	78203459-209	3	83
Screw, M3 x 6	78203459-209	6	4
Screw, M3 x 6	78203460-109	5	3
Screw, M3 x 6	78203459-209	3	54
Screw, M3 x 6	78203460-109	1	Not Shown
Screw, M3 x 6	78203459-209	1	Not Shown
Screw, M3 x 8	78203460-110	3	67
Screw, M3 x 8	78203216-128	1	Not Shown
Screw, M3 x 8	78203460-110	1	Not Shown
Screw, M3.5 x 9.5	76951715-059	10	3
Screw, M3.5 x 9.5	76951715-059	1	Not Shown
Screw, M3.5 x 9.5	76951715-059	2	14
Screw, M4 x 6	78203459-318	1	Not Shown
Screw, M4 x 6	78203459-318	2	15
Screw, M4 x 8	78203459-319	3	58
Screw, M4 x 8	78203459-319	10	4
Screw, M4 x 8	78203459-219	4	20
Screw, M4 x 8	78203459-219	2	3
Screw, M4 x 8	78203459-219	1	Not Shown
Screw, M4 x 8	78203459-219	1	Not Shown
Screw, M4 x 8	78203459-319	1	Not Shown
Screw, M4 x 8	78203459-219	3	45
Screw, M4 x 95	78203386-148	1	Not Shown
Screw, M6 x 10	76951108-633	3	59
Screw, M6 x 10	76951108-633	1	Not Shown
Sensor Assembly, Roll	29-27859-01	3	30
Separator	78143652-002	3	75
Shaft	78142120-002	3	52
Shaft	78142124-001	3	16
Shaft	78142127-002	3	17
Shaft Assembly	78142435-001	3	8
Shield Assembly	78157049-001	6	2
Shield Assembly, Lower	78147050-001	2	6
Shield, Filter	78142210-002	1	Not Shown
Shield, Filter	78142210-002	2	4
Slider Assembly	78143161-002	4	19
Slider Assembly	78143161-002	1	Not Shown
Spring	78142135-001	5	4
Spring	78146680-002	3	85
Spring, Flat	78136029-001	4	6
Spring, Paper Bail	78142421-001	3	66
Spring, Paper Bail	78142421-001	1	Not Shown
Spring, Roll	78142736-001	3	62
Spring, Roll	78142736-001	1	Not Shown
Spring, T/F	78142164-001	1	Not Shown
Spring, T/F	78142164-001	3	6

**INDEX BY PART DESCRIPTION**  
LA324 MultiPrinter

DESCRIPTION	PART NO.	FIG. NO.	ITEM NO.
Spring, Wire	78138529-001	1	Not Shown
Spring, Wire	78138529-001	3	18
Stand, LA324 Desk Top	LA24X-DS	1	Not Shown
STAND, LA324 PRINTER	LA24X-PS	1	Not Shown
String, Nylon	29-27888-01	3	53
Stud	78148149-001	3	71
Stud	78146223-001	3	55
Stud	78148149-001	1	Not Shown
Support, Operator Panel	29-27879-01	2	8
Support, Paper	29-27869-01	3	11
Support, Shaft	78149742-001	3	88
Support, Shaft	78149742-001	1	Not Shown
Switch, Main	29-27873-01	10	5
T-Plate	78147837-002	3	82
Tractor, Left	29-27874-01	3	19
Tractor, Right	29-27875-01	3	10
Vibrodamp	78142206-001	3	72
Vibrodamp	78142206-001	1	Not Shown
Vibrodamp	78142150-002	3	25
Vibrodamp	78142150-002	1	Not Shown
Washer, 52/24	78147873-001	1	Not Shown
Washer, 52/54	78147873-001	3	39
Washer, D3.2	78203286-006	3	57
Washer, D3.2	78203286-006	1	Not Shown
Washer, D4	78203376-008	5	20
Washer, D5	78149034-001	3	89
Washer, D5	78149034-001	1	Not Shown
Washer, D6.4	76951128-620	3	61
Washer, D6.4	76951128-620	1	Not Shown
Washer, D6.5	76951126-620	1	Not Shown
Washer, Flat 3.2	76951126-490	5	24
Washer, Flat D 6.5	76951126-620	3	5
Window, Display	78147544-002	4	24

**PART NUMBER/DESCRIPTION INDEX** 