

**ILLUSTRATED
PARTS
BREAKDOWN**

**PrintServer 20 System/
Turbo PrintServer 20 System**

HOW TO USE THE IPB

GENERAL

This IPB is compiled following the organization and nomenclature of the engineering drawing structure.

MAJOR ASSEMBLY LOCATOR (When Applicable)

The Major Assembly Locator (first illustration) is an index that provides a description and a figure reference for all illustrations used in this manual.

INDENTED PARTS LIST

This manual identifies each assembly being broken down (figure reference callout), and all parts of that assembly. Further breakdown of an assembly is shown by an asterisk (*) preceding the item callouts in the Description Column. The number of asterisks preceding an item is used to denote the subordination of that item with respect to the Major Assembly. A single asterisk preceding an item description indicates that the item is part of the major assembly being illustrated. Items that are subordinate to single asterisks items, are denoted by two asterisks (**) and immediately follow the related single asterisk item. This system of part identification provides a means for the user to identify the next higher assembly item and make alternate selections for parts when the required replacement part of assembly is not immediately available.

COLUMN CALLOUT DESCRIPTION

Figure and Item – Indicates the figure number and item number of each part.

Description – Lists the name of the part and pertinent specifications (when required). Asterisks preceding the description denote the subordination of the part to the next higher assembly.

DEC Part No. – Lists the Digital part ordering number. A blank in this column indicates a Digital part number was not assigned at the time of publication.

ECO Cut-In – The notation at the top of this column indicates the ECO level of the system (option), at which the IPB was initially prepared. Subsequent ECO level designations, that modify existing parts or add new parts to the device, are inserted in the ECO Cut-In column next to the part that is added or modified.

Used On Code – Letters in this column correspond to the variation codes assigned in Figure 1. Parts with an Alpha notation(s) are used only in those option variations. A blank indicates that the part is used on all option variations.

Ref Fig No. – A cross reference between illustrations. For each Major Assembly, the number in this column denotes the figure of the next higher assembly. For all subassemblies, the number in this column denotes the figure showing additional detailed breakdown.

PART NUMBER/PART DESCRIPTION INDEX SECTION

Parts are indexed both numerically and alphabetically by description, referenced to a location within the IPB, by figure number and item number.

REVISION HISTORY

REVISION HISTORY				DATE	OTHER IPB MANUALS REFERENCED
PRINTING	ECO LEVEL				
2nd Printing	LPS20	00000-00001		26-JUL-91	N/A

Digital Equipment Corporation reserves the right, without notice, to make substitutions and modifications in the specifications of products documented in this manual and further reserves the right to withdraw any of these products from the market without notice.

Digital Equipment Corporation is not responsible for errors which may appear in the technical description (including illustrations and photographs) of the products covered by this manual.

None of the descriptions contained in this manual imply the granting of any license whatsoever to make, use or sell equipment constructed in accordance therewith.

Restricted Rights: Use, duplication or disclosure by the U.S. Government is subject to restrictions as set forth in subparagraph (c) (1) (ii) of the Rights in Technical Data and Computer Software clause at DFARS 252.227-2713.

Copyright © 1989, 1991 by Digital Equipment Corporation. All rights reserved.
Printed in U.S.A.

The postage-paid READER'S COMMENTS form on the last page of this document requests your critical evaluation to assist us in preparing future documentation.

The following are trademarks of Digital Equipment Corporation :

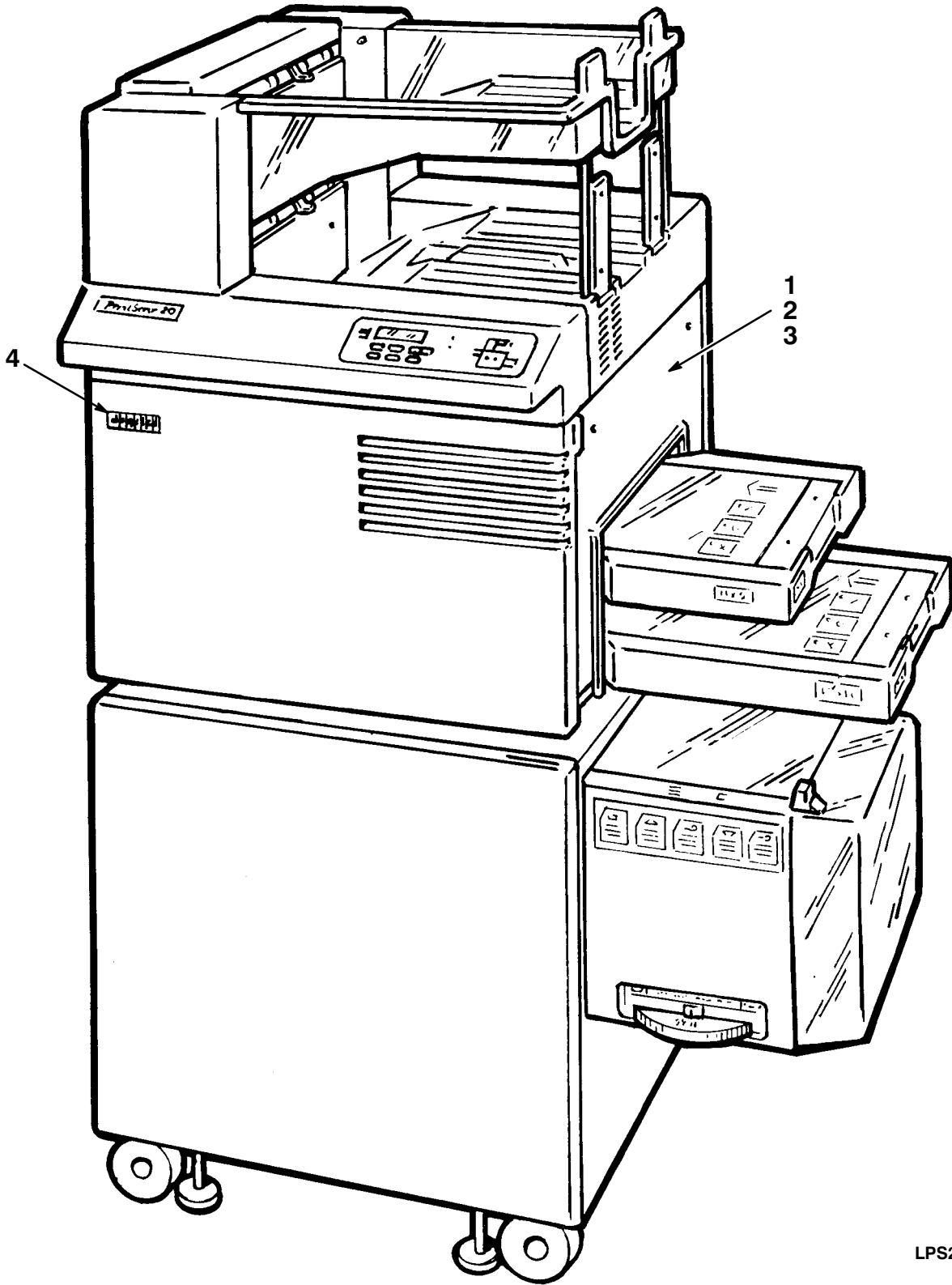
DEC, DECdirect, DECSYSTEM 20, DECUS, PDP, PrintServer 20, Turbo PrintServer 20
UNIBUS, VAX, and the DIGITAL logo.

**PrintServer 20/Turbo PrintServer 20 System IPB
TABLE OF CONTENTS**

FIGURE NUMBER	DESCRIPTIONS	PAGE NUMBER
1	PrintServer 20/Turbo PrintServer 20 System Artwork	1
1	PrintServer 20/Turbo PrintServer 20 System Parts List	2
1	Country Kits	3–4
1	User Maintenance Kits (Not Shown)	5/6
2	Component Assembly Artwork	7
2	Component Assembly Parts List	8
3	Table Unit Component Assembly Artwork	9
3	Table Unit Component Assembly Parts List	10
4	Exterior Assembly Artwork	11
4	Exterior Assembly Parts List	12
5	PCB Rack Assembly Artwork	13
5	PCB Rack Assembly Parts List	14
6	Electrical Section Artwork	15
6	Electrical Section Parts List	16
7	Development Drive Assembly Artwork	17
7	Development Drive Assembly Parts List	18
8	Main Drive Assembly Artwork	19
8	Main Drive Assembly Parts List	20
9	Optical Assembly Artwork	21
9	Optical Assembly Parts List	22
10	Paper Feed Assembly Artwork	23
10	Paper Feed Assembly Parts List	24
11	Fork Gate Unit Artwork	25
11	Fork Gate Unit Parts List	26
12	Fusing Assembly Artwork	27
12	Fusing Assembly Parts List	28
13	Large Capacity Output Tray Assembly Artwork	29
13	Large Capacity Output Tray Assembly Parts List	30
14	Large Capacity Output #2 Tray Assembly Artwork	31
14	Large Capacity Output #2 Tray Assembly Parts List	32

**PrintServer 20/Turbo PrintServer 20 System IPB
TABLE OF CONTENTS (Cont.)**

FIGURE NUMBER	DESCRIPTIONS	PAGE NUMBER
15	DPX Assembly Artwork	33
15	DPX Assembly Parts List	34
16	Large Capacity Input Tray Assembly Artwork	35
16	Large Capacity Input Tray Assembly Parts List	36
17	Large Capacity Input Tray Feed Assembly Artwork	37
17	Large Capacity Input Tray Feed Assembly Parts List	38
18	Table Feed Assembly Artwork	39
18	Table Feed Assembly Parts List	40
19	Rear View Harness Assembly Artwork	41
19	Rear View Harness Assembly Parts List	42
20	Table Harness Assembly Artwork	43
20	Table Harness Assembly Parts List	44
21	Large Capacity Input Tray Harness Assembly Artwork	45
21	Large Capacity Input Tray Harness Assembly Parts List	46
22	Large Capacity Output Tray Harness Assembly Artwork	47
22	Large Capacity Output Tray Harness Assembly Parts List	48



LPS20-01-SC

Figure 1. PrintServer 20/Turbo PrintServer 20 System

FIG. & ITEM NO.	DESCRIPTION	VENDOR PART NO.	DEC PART NO. ^A	USED ON CODE	REF FIG NO.
1-	PrintServer 20/Turbo PrintServer 20 System				
	Code A – Used On LPS20–A2 (120V)		LPS20–A2	A	
	Code B – Used On LPS20–A3 (240V)		LPS20–A3	B	
	Code C – Used On LPS20–A4 (240V)		LPS20–A4	C	
	Code D – Used On LPS20–A5 (120V) (Turbo PrintServer 20)		LPS20–A5	D	
	Code E – Used On LPS20–A6 (240V) (Turbo PrintServer 20)		LPS20–A6	E	
	Code F – Used On LPS20–A7 (240V) (Turbo PrintServer 20)		LPS20–A7	F	
1	*LPS20–C2 20 PPM Duplex Printer (120V) **Print Engine, Laser 20 PPM (120V) **Shipaway Kit A **Shipaway Kit B		LPS20–C2 30–29519–01 30–29519–04 30–29519–05	AD	
	*LPS20–C3 20 PPM Duplex Printer (240V) **Print Engine, Laser 20 PPM (240V) **Shipaway Kit A **Shipaway Kit B (Europe)		LPS20–C3 30–29519–02 30–29519–04 30–29519–06	BCEF	
2	*Module, PrintServer 20 Controller (Not Shown) *Module, Turbo PrintServer 20 Controller (Not Shown)		54–17449–01 54–20830–02	ABC DEF	
3	*TRAY ASSEMBLY, LARGE CAPACITY INPUT (F/S LPS2X–AF)		29–27399–01		16
4	**Medallion, Turbo PrintServer 20		74–36751–02	DEF	
	ITEMS (Not Shown)				
	*Cord, Power (240V)		17–00198–14	CF	
	*Label, Direct Thermal 4 x 6 inches		36–28231–04		
	*Label, Product Conversion, C2–A2		36–30689–01	A	
	*Label, Product Conversion, C3–A3		36–30689–02	B	
	*Label, Product Conversion, C3–A4		36–30689–03	C	
	*Label, Product Conversion, C2–A5		36–30689–09	D	
	*Label, Product Conversion, C3–A6		36–30689–10	E	
	*Label, Product Conversion, C3–A7		36–30689–11	F	
	UPGRADE KIT (Not Shown)				
	*LPS20–UA(Turbo PrintServer 20 Upgrade) **Engine, ROM Firmware Laser 20 PPM **Module, Turbo PrintServer 20 Controller **Label, “Product Conversion” **Medallion, Turbo PrintServer 20 **Cable, Coax (Male – Female)		LPS20–UA 29–28525–01 54–20830–01 36–15946–00 74–36751–02 17–03218–01		

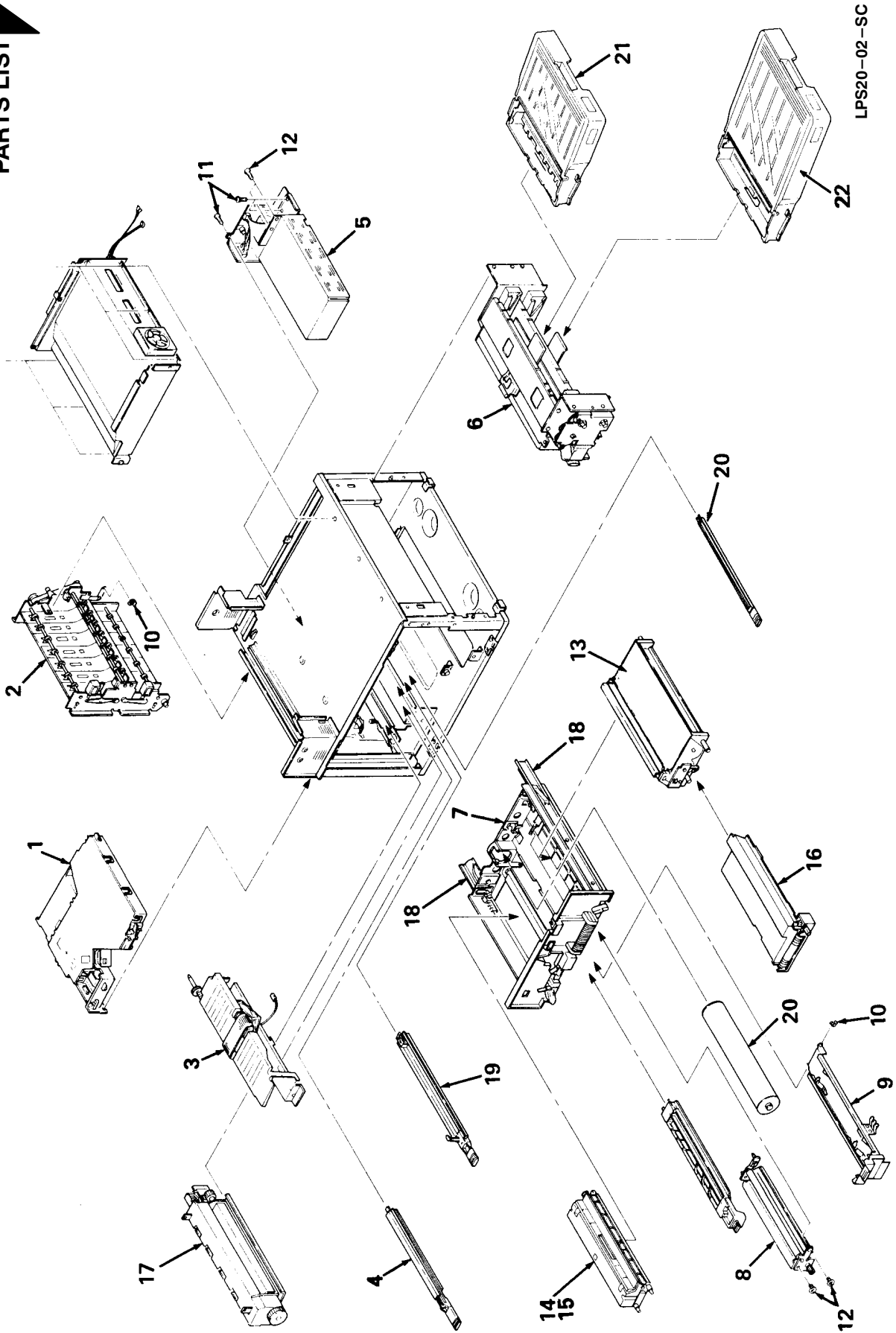
FIG. & ITEM NO.	DESCRIPTION	VENDOR PART NO.	DEC PART NO. ^A	USED ON CODE	REF FIG NO.
1-	COUNTRY KITS (Not Shown)				
	*COUNTRY KIT (Belgium)		LPS2K-AB	BCEF	
	**Cord, Power (240V)		17-00199-00		
	**Label, "French Front Panel"		36-30021-02		
	**Label, "French Jam Clearance"		36-30824-02		
	**Label, "Dutch Front Panel"		36-30021-05		
	**Label, "Dutch Jam Clearance"		36-30824-05		
	*COUNTRY KIT (Belgium,German,Holland, France)		LPS2K-JA	EF	
	**Cord, Power (240V)		17-00199-21		
	**Label, "French,German,Dutch Front Panel"		36-30021-07		
	**Label, "French,German,Dutch Jam Clearance"		36-30824-07		
	*COUNTRY KIT (Switzerland)		LPS2K-JB	EF	
	**Cord, Power (240V)		17-00199-21		
	**Label, "French/German Front Panel"		36-30021-02		
	**Label, "French/German Jam Clearance"		36-30824-02		
	*COUNTRY KIT (Denmark)		LPS2K-AD	BCEF	
	**Cord, Power (240V)		17-00310-01		
	*COUNTRY KIT (England/Ireland)		LPS2K-AE	BCEF	
	**Cord, Power (240V)		17-00209-15		
	*COUNTRY KIT (Germany)		LPS2K-AG	BCEF	
	**Cord, Power (240V)		17-00199-00		
	**Label, "German Front Panel"		36-30021-04		
	**Label, "German Jam Clearance"		36-30824-04		
	**Label, "Postcard FTZ"		36-30422-07		
	*COUNTRY KIT (Japan)		LPS2K-AJ	BCEF	
	*COUNTRY KIT (Holland)		LPS2K-AH	BCEF	
	**Cord, Power (240V)		17-00199-00		
	**Label, "Dutch Front Panel"		36-30021-05		
	**Label, "Dutch Jam Clearance"		36-30824-05		
	*COUNTRY KIT (Italy)		LPS2K-AI	BCEF	
	**Cord, Power (240V)		17-00364-18		
	**Label, "Italian Front Panel"		36-30021-06		
	**Label, "Italian Jam Clearance"		36-30824-06		

FIG. & ITEM NO.	DESCRIPTION	VENDOR PART NO.	DEC PART NO. ^A	USED ON CODE	REF FIG NO.
1-	*COUNTRY KIT (Sweden)		LPS2K-AM	BCEF	
	**Cord, Power (240V)		17-00199-00		
	**Label, "Swedish Front Panel"		36-30021-07		
	**Label, "Swedish Jam Clearance"		36-30824-07		
	*COUNTRY KIT (France)		LPS2K-AP	BCEF	
	**Cord, Power (240V)		17-00199-00		
	**Label, "French Front Panel"		36-30021-02		
	**Label, "French Jam Clearance"		36-30824-02		
	*COUNTRY KIT (Spain)		LPS2K-AS	BCEF	
	**Cord, Power (240V)		17-00199-00		
	**Label, "Spanish Front Panel"		36-30021-03		
	**Label, "Spanish Jam Clearance"		36-30824-03		
	*COUNTRY KIT (Israel)		LPS2K-AT	BCEF	
	**Cord, Power (240V)		17-00456-16		
	*COUNTRY KIT (Switzerland)		LPS2K-CB	BCEF	
	**Cord, Power (240V)		17-00210-00		
	**Label, "French Front Panel"		36-30021-02		
	**Label, "French Jam Clearance"		36-30824-02		
	**Label, "German Front Panel"		36-30021-04		
	**Label, "German Jam Clearance"		36-30824-04		
	**Label, "Italian Front Panel"		36-30021-06		
**Label, "Italian Jam Clearance"		36-30824-06			
*COUNTRY KIT (Finland, Norway, Portugal)		LPS2K-CC	BCEF		
**Cord, Power (240V)		17-00199-21			

FIG. & ITEM NO.	DESCRIPTION	VENDOR PART NO.	DEC PART NO.	USED ON CODE	REF FIG NO.
1-	KITS, USER MAINTENANCE (Not Shown)				
	*KIT, TONER		LPS2X-AA		
	*KIT, SUPPLIES		LPS2X-AB		
	**Charger, Main		29-28302-01		
	**Charger, T/S		29-28285-01		
	**Filter, Ozone	GA010001			
	*KIT, OPC DRUM		LPS2X-AC		
	**Shield, Glass	G0042891			
	*KIT, CLEANING UNITS		LPS2X-AD		
	*KIT-D, 300K MAINTENANCE (120V)		29-27401-01		
	**Development Unit		29-27354-01		
	**Roller, Pick-up		29-25103-00		
	**Roller, Feed		29-25102-00		
	**Roller, Separation		29-27933-01		
	**Fusing Unit (120V)		29-27387-01		
	*KIT-D, 300K MAINTENANCE (240V)		29-27401-01		
	**Development Unit		29-27354-01		
	**Roller, Pick-up		29-25103-00		
	**Roller, Feed		29-25102-00		
	**Roller, Separation		29-27933-01		
	**Fusing Unit (240V)		29-27388-01		

THIS PAGE INTENTIONALLY LEFT BLANK

PARTS LIST

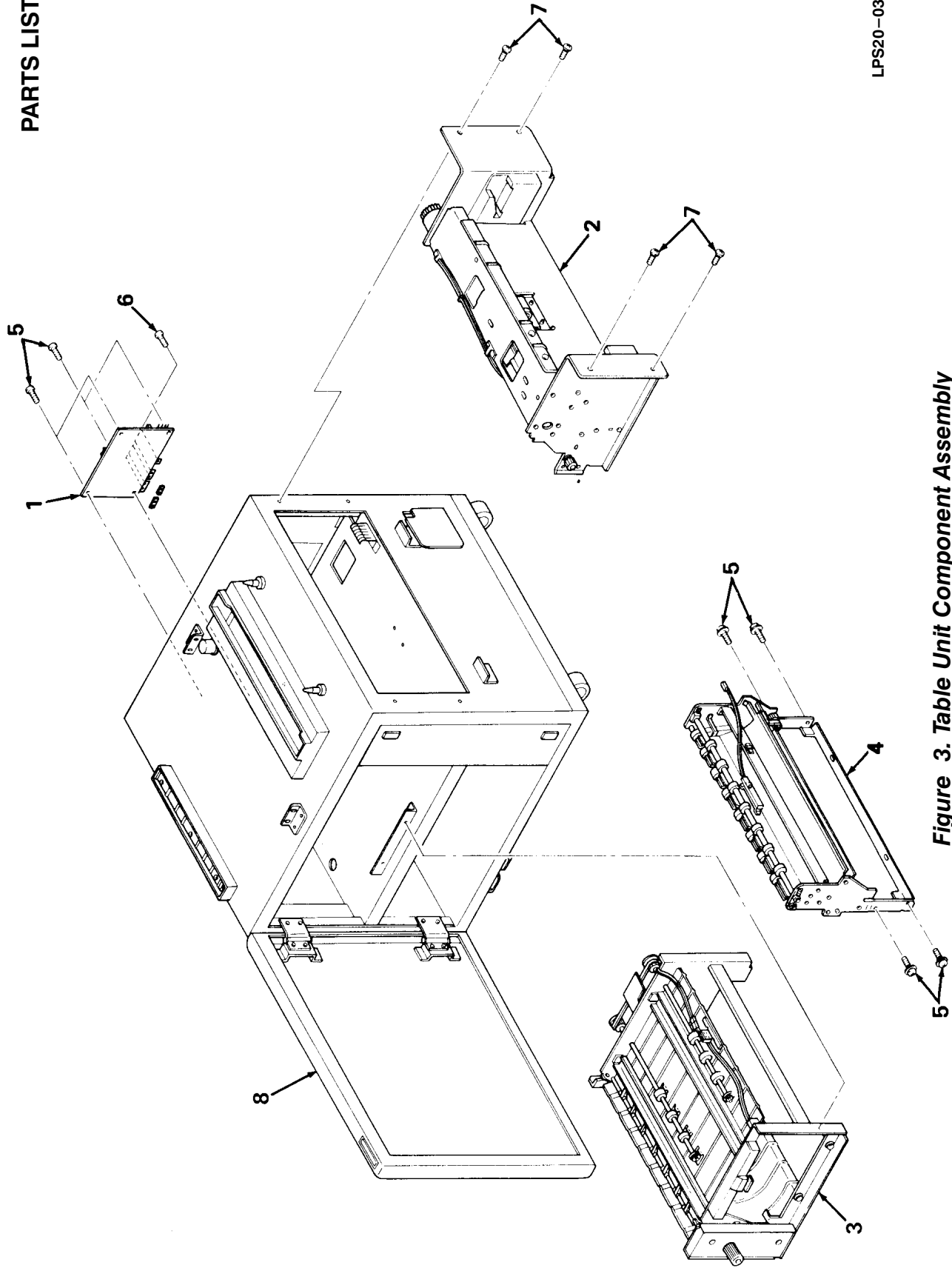


LPS20-02-SC

Figure 2. Component Assembly

FIG. & ITEM NO.	DESCRIPTION	VENDOR PART NO.	DEC PART NO. ^A	USED ON CODE	REF FIG NO.
2-	COMPONENT ASSEMBLY				
1	*Optical Unit		29-27384-01		
2	*Fork Gate Unit		29-27385-01		
3	*Transport Unit		29-27386-01		
4	*Quenching LED Unit	GD050001			
5	*Power Supply Unit (100V)		29-27404-01		
	*Power Supply Unit (200V)		29-27405-01		
6	*Paper Feed Unit	G0043005			
7	*Drawer Unit		29-27570-01		
8	*Registration Roller Unit		29-27355-01		
9	*T/S Charger Guide	G0043440			
10	*Ring, Snap	54472681			
11	*Screw, Phi w/Lock Washer Hd M4X4 (100 pcs/1 Set)	09534008M			
12	*Screw, Phi w/Flat Washer Hd M4X8 (100pcs/1 Set)	09514008B			
13	*Development Unit		29-27354-01		
14	*KIT,CLEANING ASSEMBLY		LPS2X-AD		
15	**Cleaning Unit		29-28387-01		
16	*Cover, Devolpment Unit		29-28880-01		
17	*Fusing Unit (120V)		29-27387-01		
	*Fusing Unit (240V)		29-27388-01		
18	*Rails, Side		29-28992-01		
19	*Kit, Main Charger		29-28302-01		
20	*Kit, OPC Drum		LPS2X-AC		
21	*Kit, Small Paper Cassette		LPS4X-BA		
22	*Kit, Large Paper Cassette		LPS4X-BB		
	KITS (Not Shown)				
	*Kit-D, 300K Maintenance (120V)		29-27401-01		
	*Kit-D, 300K Maintenance (240V)		29-27402-01		

PARTS LIST

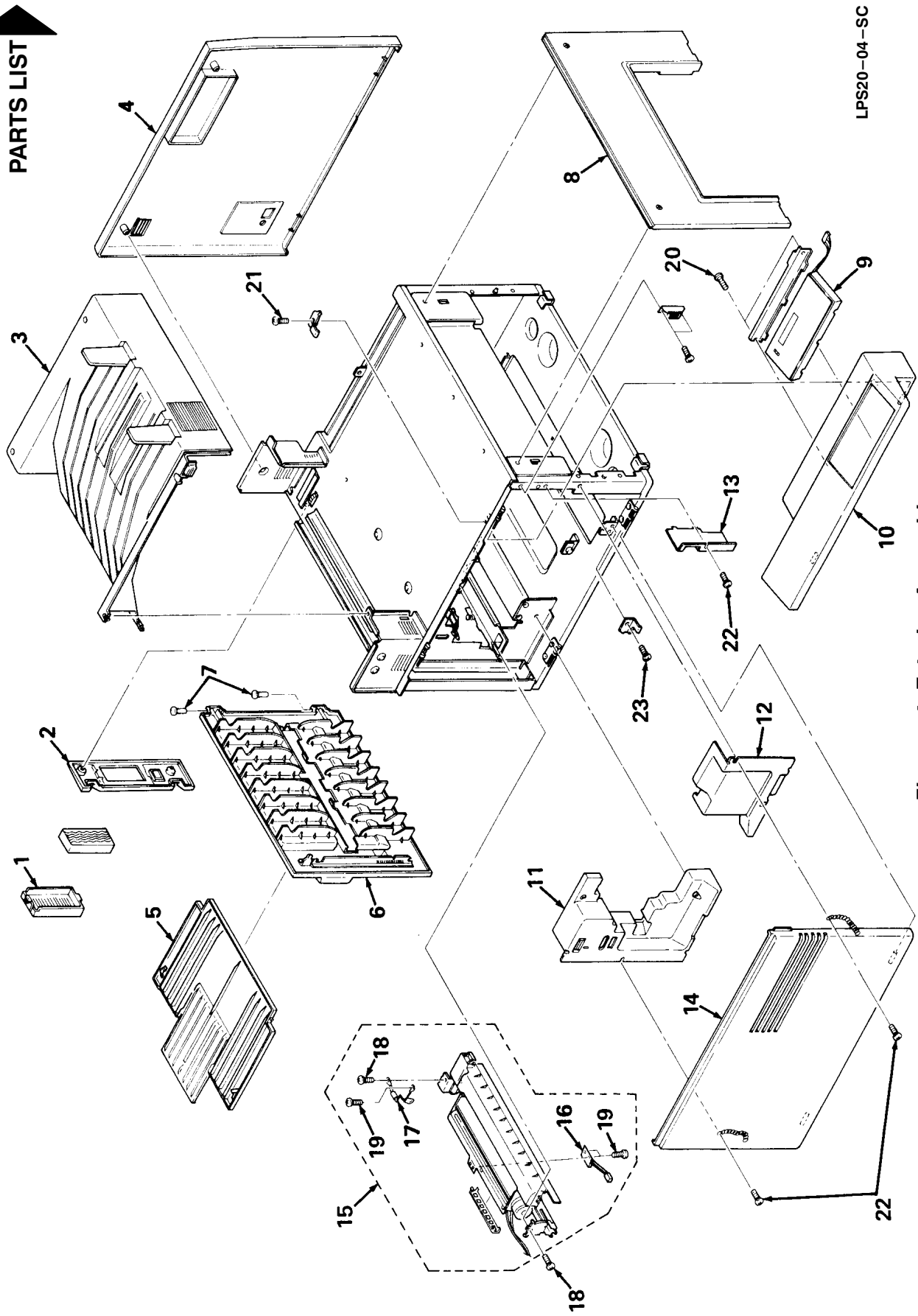


LPS20-03-SC

Figure 3. Table Unit Component Assembly

FIG. & ITEM NO.	DESCRIPTION	VENDOR PART NO.	DEC PART NO.	USED ON CODE	REF FIG NO.
3-	TABLE UNIT COMPONENT ASSEMBLY				
1	*Module, Table Drive		29-27356-01		
2	*LCIT Feed Unit		29-27353-01		
3	*Duplexer Unit		29-27357-01		
4	*Table Feed Unit		29-27358-01		
5	*Screw, Phi Pan Hd M4X6 (100 pcs/1 Set)	03140060B			
6	*Screw, Phi Pan Hd M3X5 (100 pcs/1 Set)	03130050B			
7	*Screw, Phi Washer Hd M4X8 (100 pcs/1 Set)	09514008B			
8	*Door, Cabinet Table	G6291647			

PARTS LIST



LPS20-04-SC

Figure 4. Exterior Assembly

FIG. & ITEM NO.	DESCRIPTION	VENDOR PART NO.	DEC PART NO.	USED ON CODE	REF FIG NO.
4-	EXTERIOR ASSEMBLY				
1	*Cartridge, Ozone Filter	G0041643			
2	*Holder, Ozone Cartridge	G0041640			
3	*Cover, Top	G0041650			
4	*Cover, Rear	G0041617			
5	*Tray, Side Exit	G0041630			
6	*Cover Assembly, Left	G0041620			
7	*Pivot, Left Cover	G0041638			
8	*Cover, Right	G0041647			
9	*Panel Assembly, Operation		29-27359-01		
10	*Cover, Operation Panel	G0041610			
11	*Cover, Inner Left	G0041660			
12	*Cover, Inner Lower Right	G0041664			
13	*Cover, Inner Upper Right	G0041663			
14	*Cover, Front	G0041600			
15	*Fan Assembly, Process		29-27368-01		
16	*Switch, Toner Overflow		29-27369-01		
17	*Diode, Zener Z6MV921		29-27371-01		
18	*Screw, Self Tap M4X10 (100 pcs/1 Set)	09654010B			
19	*Screw, Phi Washer Hd M4 (100 pcs/1 Set)	09514006B			
20	*Screw, Phi Pan Hd M4X10 (100 pcs/1 Set)	03440100F			
21	*Screw, Phi Pan Hd M4X6 (100 pcs/1 Set)	03140060B			
22	*Screw, Phi Pan Hd M3X5 (100 pcs/1 Set)	03130050B			
23	*Screw, Phi Washer Hd M4X8 (100 pcs/1 Set)	09514008B			

PARTS LIST 

LPS20-05-BD

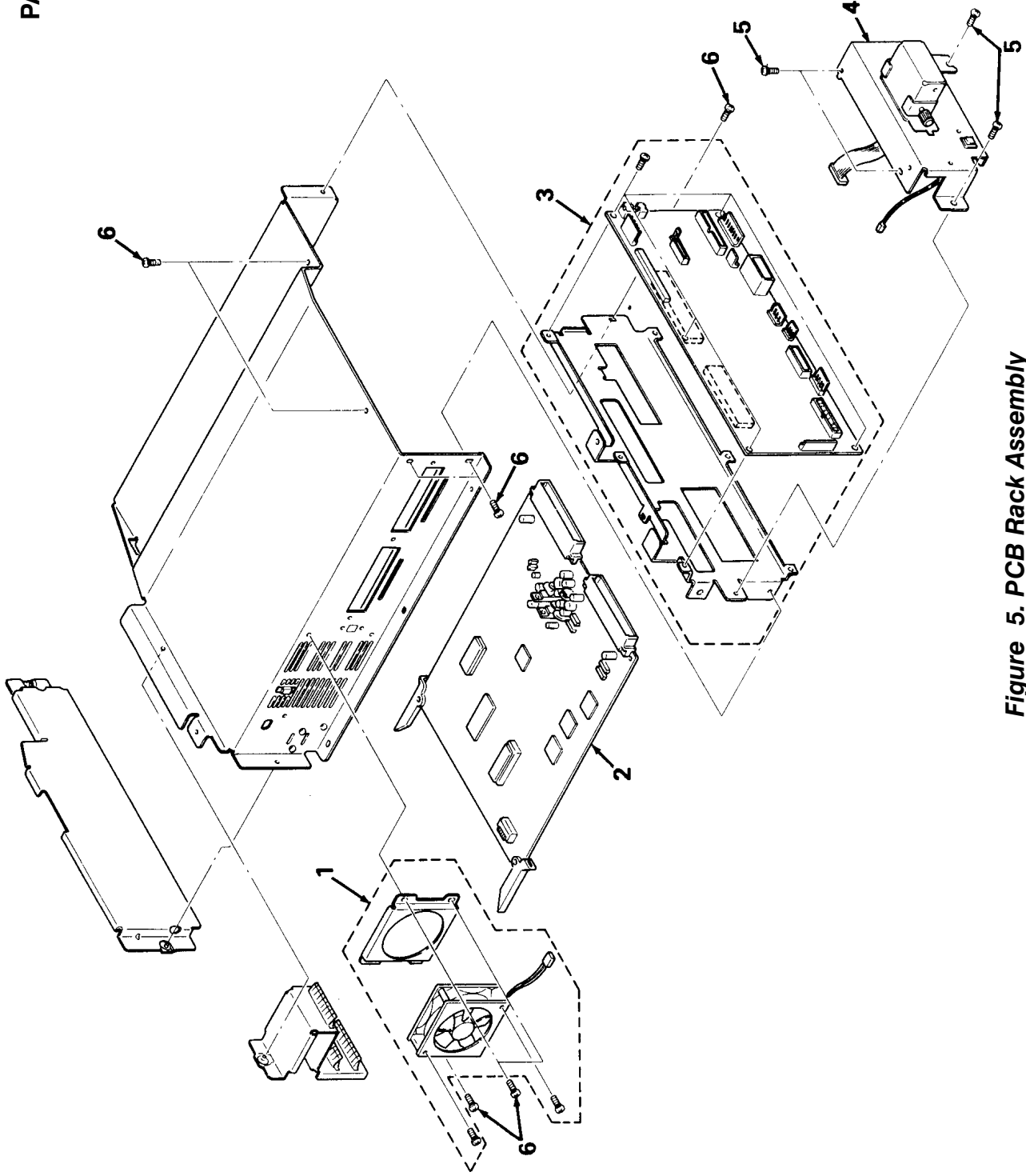
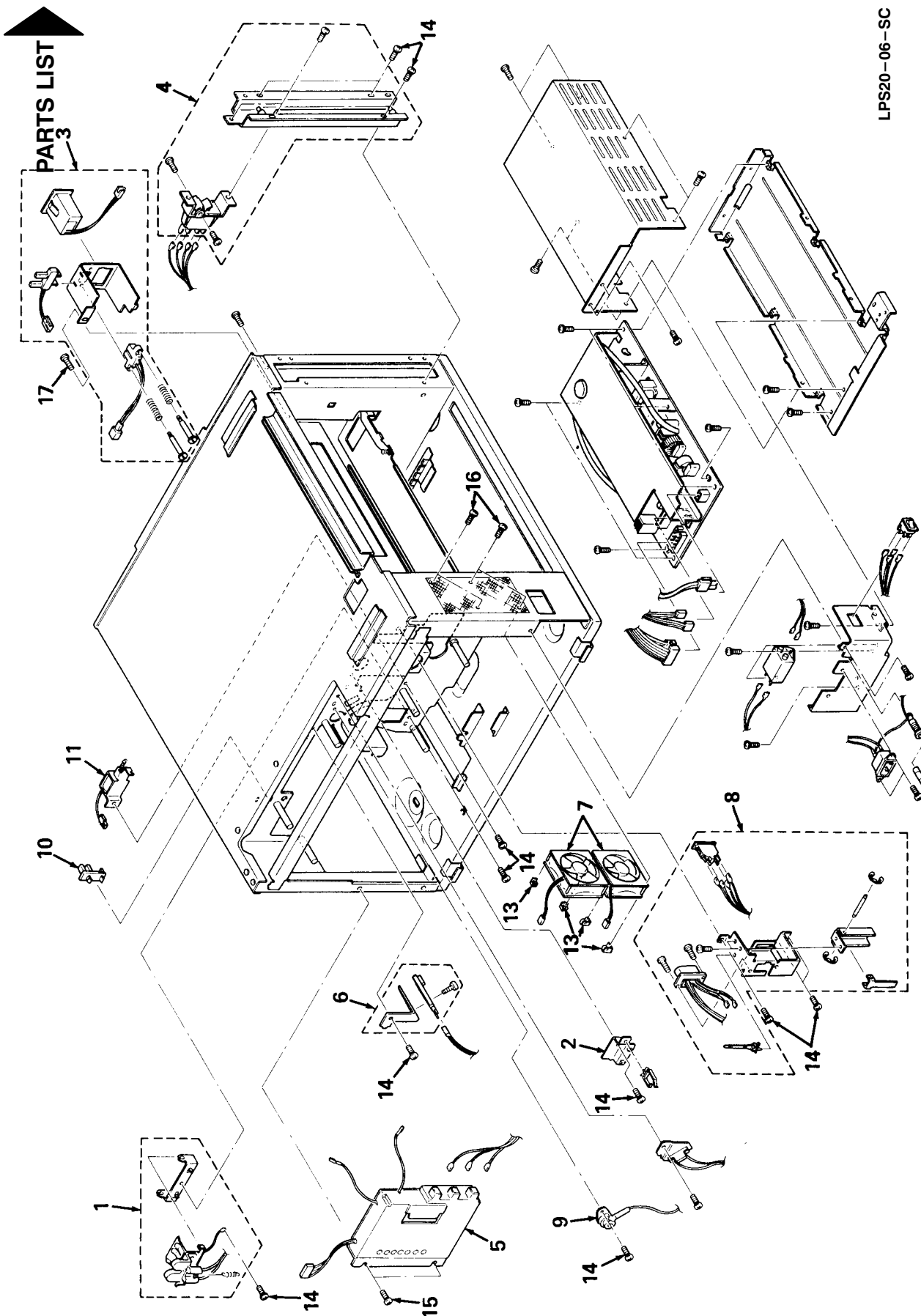


Figure 5. PCB Rack Assembly

FIG. & ITEM NO.	DESCRIPTION	VENDOR PART NO.	DEC PART NO.	USED ON CODE	REF FIG NO.
5-	PCB RACK ASSEMBLY				
1	*Fan, Card Case		29-27484-01		
2	*Module, Engine Drive		29-27360-01		
3	*Mother Board		29-27361-01		
4	*Bracket, I/F Connector	G0041326			
5	*Screw, Phi Washer Hd M4X8 (100 pcs/1 Set)	09514008B			
6	*Screw, Phi Pan Hd M4X6 (100 pcs/1 Set)	03140060B			

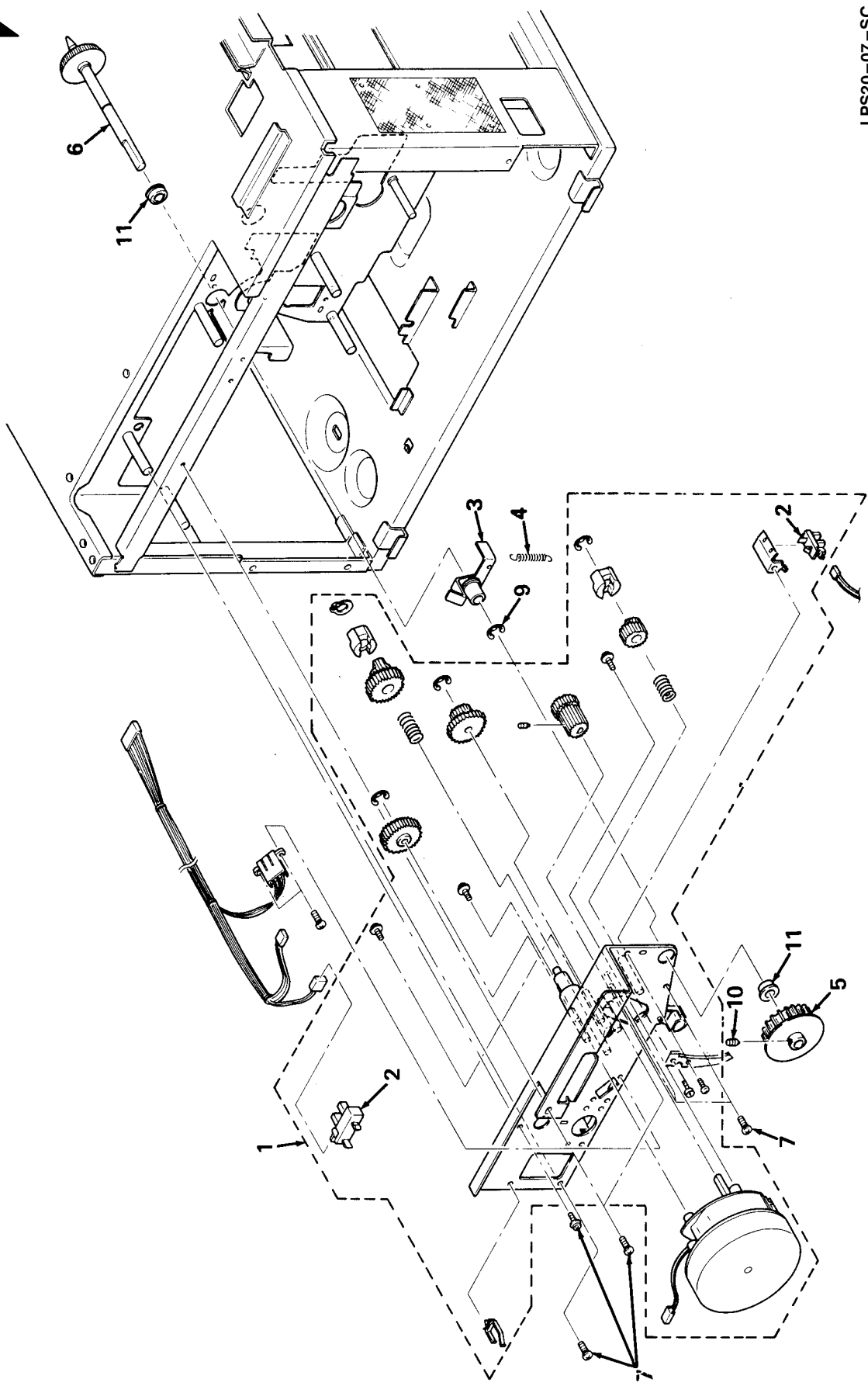


LPS20-06-SC

Figure 6. Electrical Section

FIG. & ITEM NO.	DESCRIPTION	VENDOR PART NO.	DEC PART NO.	USED ON CODE	REF FIG NO.
6-	ELECTRICAL SECTION				
1	*Receptacle Assembly, T/S Charger	G0043480			
2	*Sensor Assembly, Cleaning		29-27362-01		
3	*Counter Assembly, Total	G0041340			
4	*Switch, Left Cover Interlock		29-27363-01		
5	*Power Pack		29-27364-01		
6	*Sensor, OPC Drum		29-27365-01		
7	*Fan, Ozone		29-27366-01		
8	*Switch, Fusing Interlock	G0045486			
9	*Receptacle, Main Charger	GD021008			
10	*Photointerruptor EE-SX460-P2	AW020006			
11	*Solenoid Assembly, Drum Separation Pawl		29-27401-01		
12	*Fuse, 15A 125V		12-31518-01		
	*Fuse, 220.240V		12-31668-01		
13	*Bracket, Ozone Fan	G0041357			
14	*Screw, Phi Pan Hd M4X6 (100 pcs/1 Set)	03140060B			
15	*Screw, Phi Washer Hd M4 (100 pcs/1 Set)	09514008B			
16	*Screw, Phi Pan Hd M3X30 (100 pcs/1 Set)	03130300B			
17	*Screw, Phi Pan Hd M4X4 (100 pcs/1 Set)	03140040W			

▲
PARTS LIST

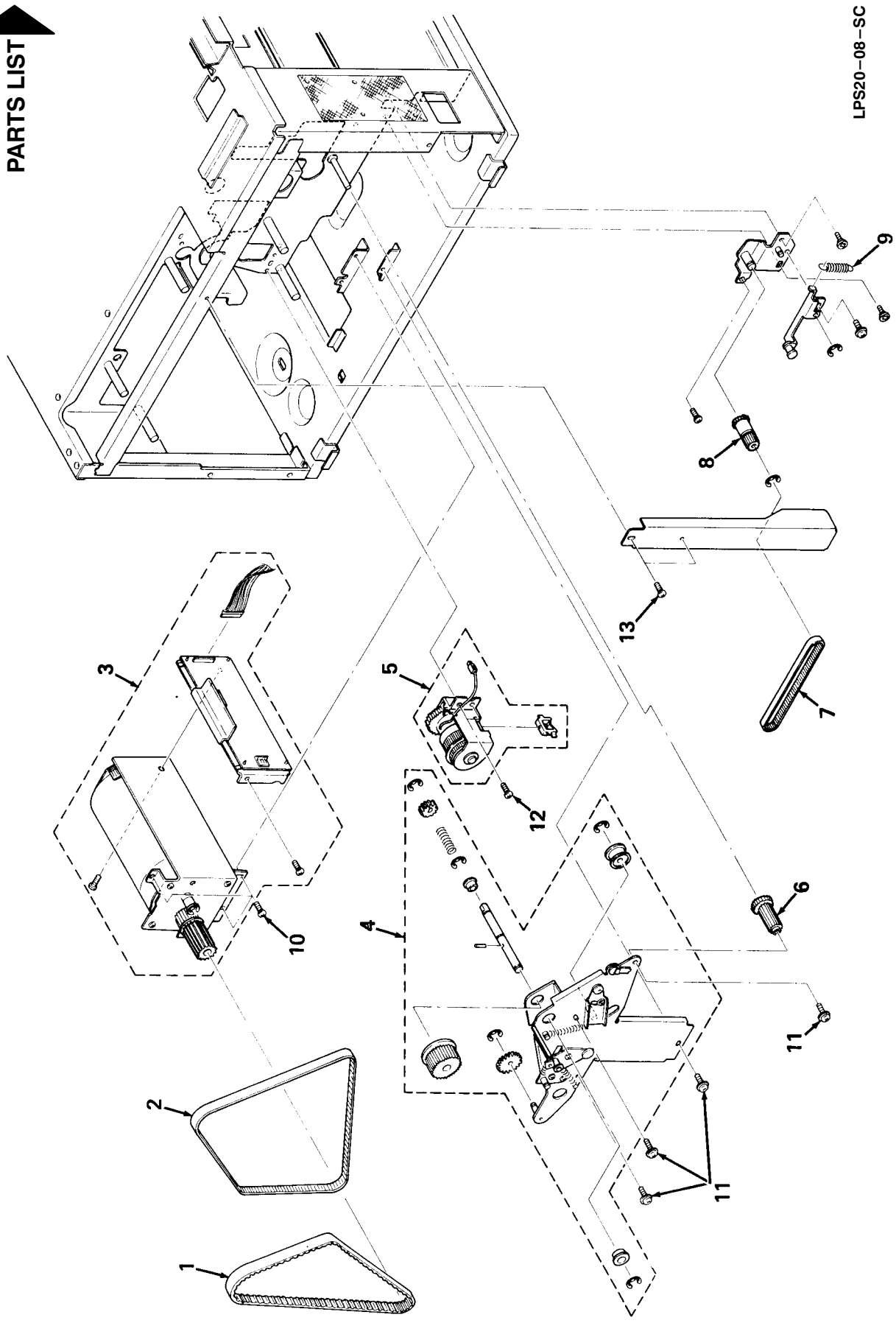


LPS20-07-SC

Figure 7. Drive Assembly, Development

FIG. & ITEM NO.	DESCRIPTION	VENDOR PART NO.	DEC PART NO.	USED ON CODE	REF FIG NO.
7-	DRIVE ASSEMBLY, DEVELOPMENT				
1	*Drive Assembly, Development		29-27372-01		
2	*Photointerruptor EE-SX460-P2		29-27733-01		
3	*Feeler, Drum Change Sensor	G0044278			
4	*Spring, Feeler	GA060010			
5	*Pulley, 32T		29-27380-01		
6	*Shaft, OPC Drum Drive	GD015001			
7	*Screw, Phi Washer Hd M4X8 (100 pcs/1 Set)	09514008B			
8	*Screw, Phi Pan Hd M4X6 (100 pcs/1 Set)	03140060B			
9	*Ring, Retaining M6 (100 pcs/1 Set)	07200060E			
10	*Screw, Set M4X5 (100 pcs/1 Set)	05740050E			
11	*Ball Bearing 8X16X5MM	08053368			

PARTS LIST



LPS20-08-SC

Figure 8. Drive Assembly, Main

FIG. & ITEM NO.	DESCRIPTION	VENDOR PART NO.	DEC PART NO.	USED ON CODE	REF FIG NO.
8-	DRIVE ASSEMBLY, MAIN				
1	*Belt, Timing 166XL		29-27374-01		
2	*Belt, Timing 3M633		29-27375-01		
3	*Motor Assembly, Main		29-27376-01		
4	*Drive Assembly, Main		29-27377-01		
5	*Clutch, Registration		29-27378-01		
6	*Pulley 21 Tooth		29-27379-01		
7	*Belt, Timing 3M219		29-27381-01		
8	*Pulley, Exit Drive	GB017011			
9	*Spring, Exit Drive Tensioner	G0041480			
10	*Screw, Phi Pan Hd M6X8 (100 pcs/1 Set)	03150080B			
11	*Screw, Washer Hd M4X8 (100 pcs/1 Set)	09514008B			
12	*Screw, Stepped	54003404			
13	*Screw, Phi Pan Hd M4X6 (100 pcs/1 Set)	03140060B			

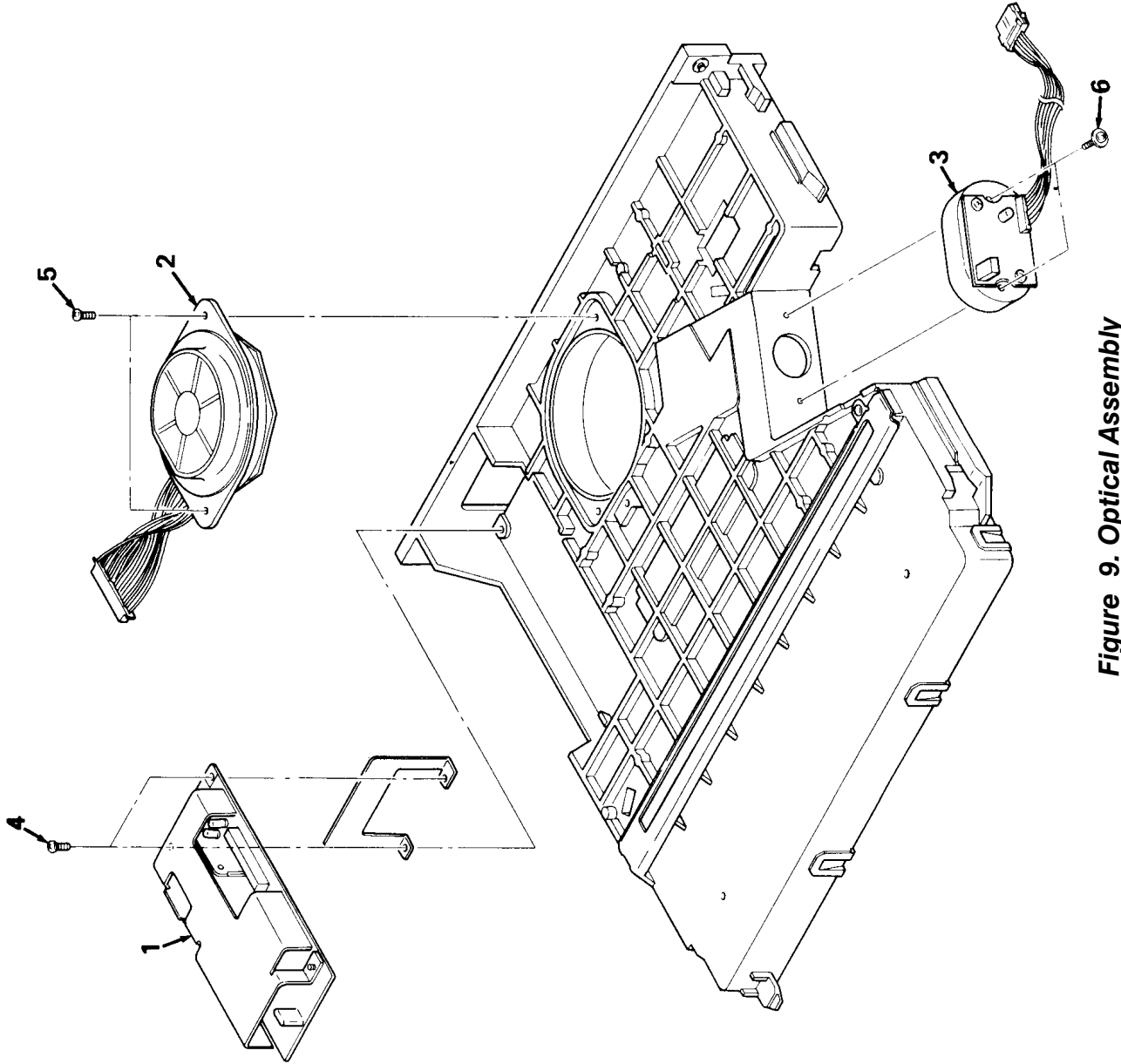


Figure 9. Optical Assembly

FIG. & ITEM NO.	DESCRIPTION	VENDOR PART NO.	DEC PART NO.	USED ON CODE	REF FIG NO.
9-	OPTICAL ASSEMBLY		29-27384-01		
1	*Module, Scanner Motor Drive	GC061002			
2	*Motor, Scanner	GC060001			
3	*LD Assembly	G0042811			
4	*Screw, Phi Pan Hd M3X5 (100 pcs/1 Set)	03130050B			
5	*Screw, Phi Pan Hd M4X10 (100 pcs/1 Set)	03140100B			
6	*Screw, Washer Hd M3 (100 pcs/1 Set)	09513018B			

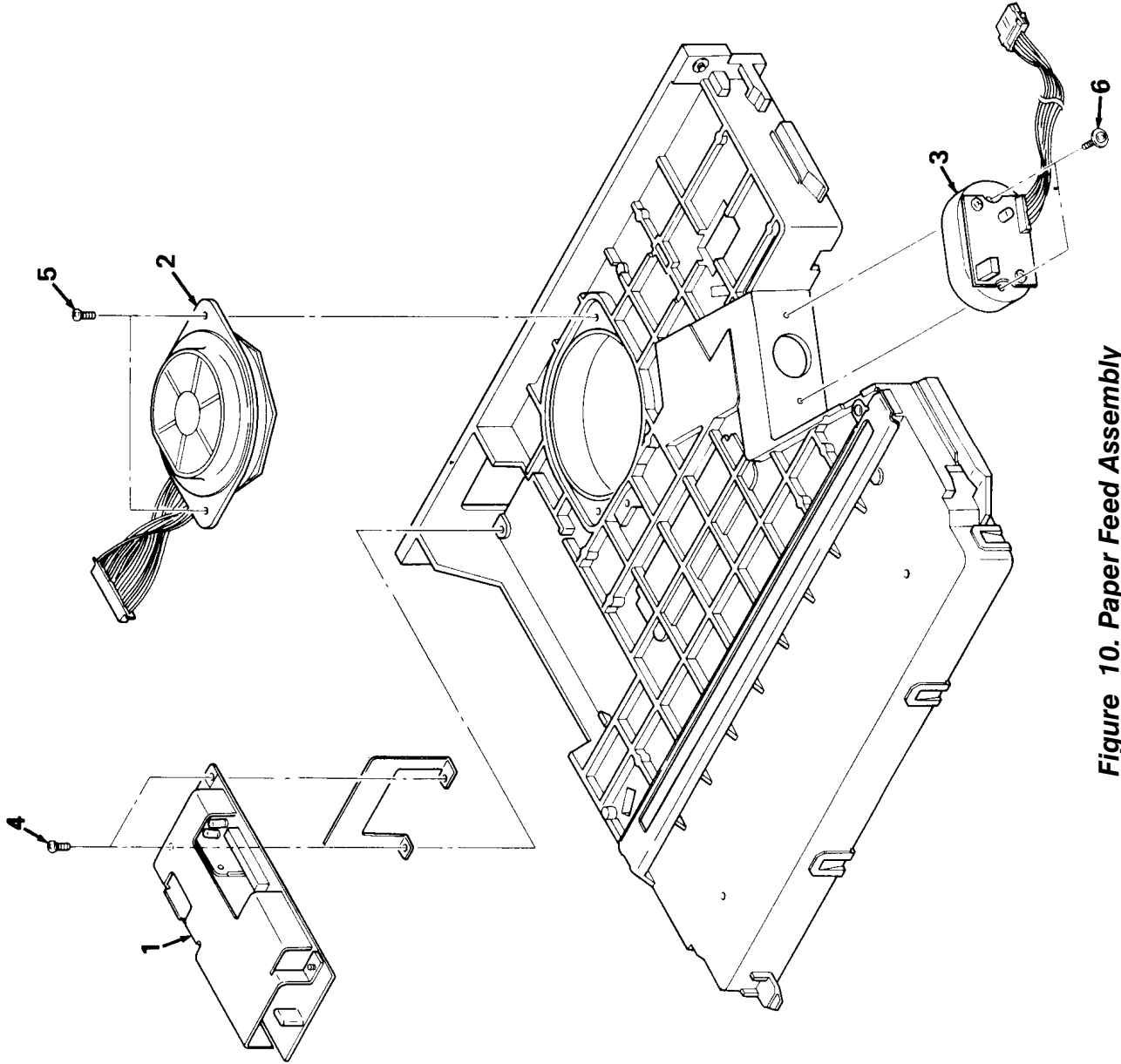
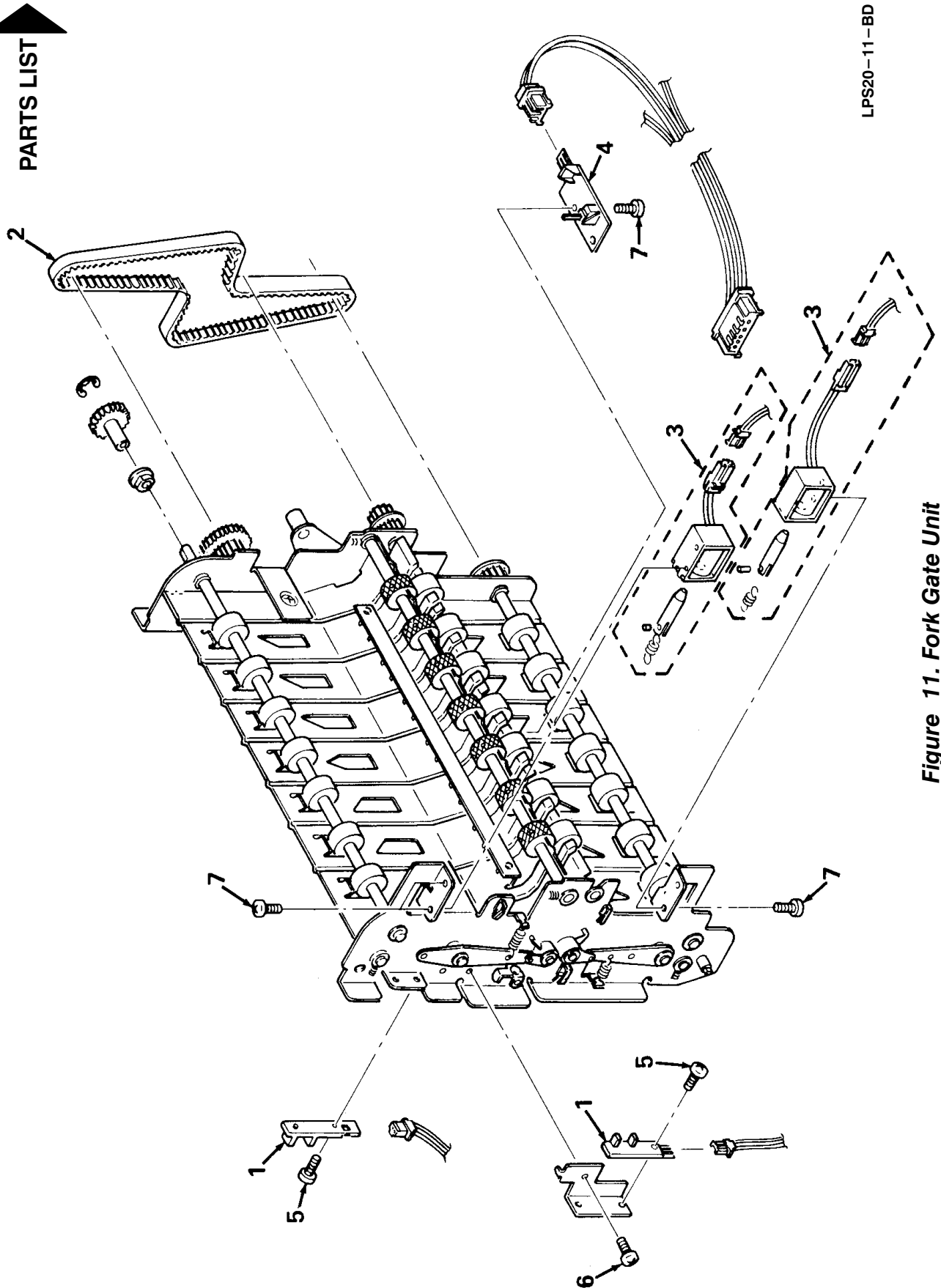


Figure 10. Paper Feed Assembly

FIG. & ITEM NO.	DESCRIPTION	VENDOR PART NO.	DEC PART NO.	USED ON CODE	REF FIG NO.
10-	PAPER FEED ASSEMBLY				
1	*Motor Assembly, Cassette	G0043200			
2	*Belt, Timing 116XL	GA043001			
3	*Clutch, TM0-F-01	GX200001			
4	*PCB Assembly, Paper Feed	G0045400			
5	*Photoreflector	GW010001			
6	*Photointerruptor		29-27397-01		
7	*Screw, Phi Pan Hd M4X6 (100 pcs/1 Set)	03140060B			
8	*Ring, Retaining M6 (100 pcs/1 Set)	07200060E			
9	*Screw, Phi Sunk M3X6 (100 pcs/1 Set)	03230060B			
10	*Screw, Phi Pan Hd M4X10 (100 pcs/1 Set)	03140100B			
11	*Roller, Pick-Up		29-25103-01		
12	*Roller, Feed		29-25102-01		
13	*Roller, Separation		29-27933-01		

PARTS LIST

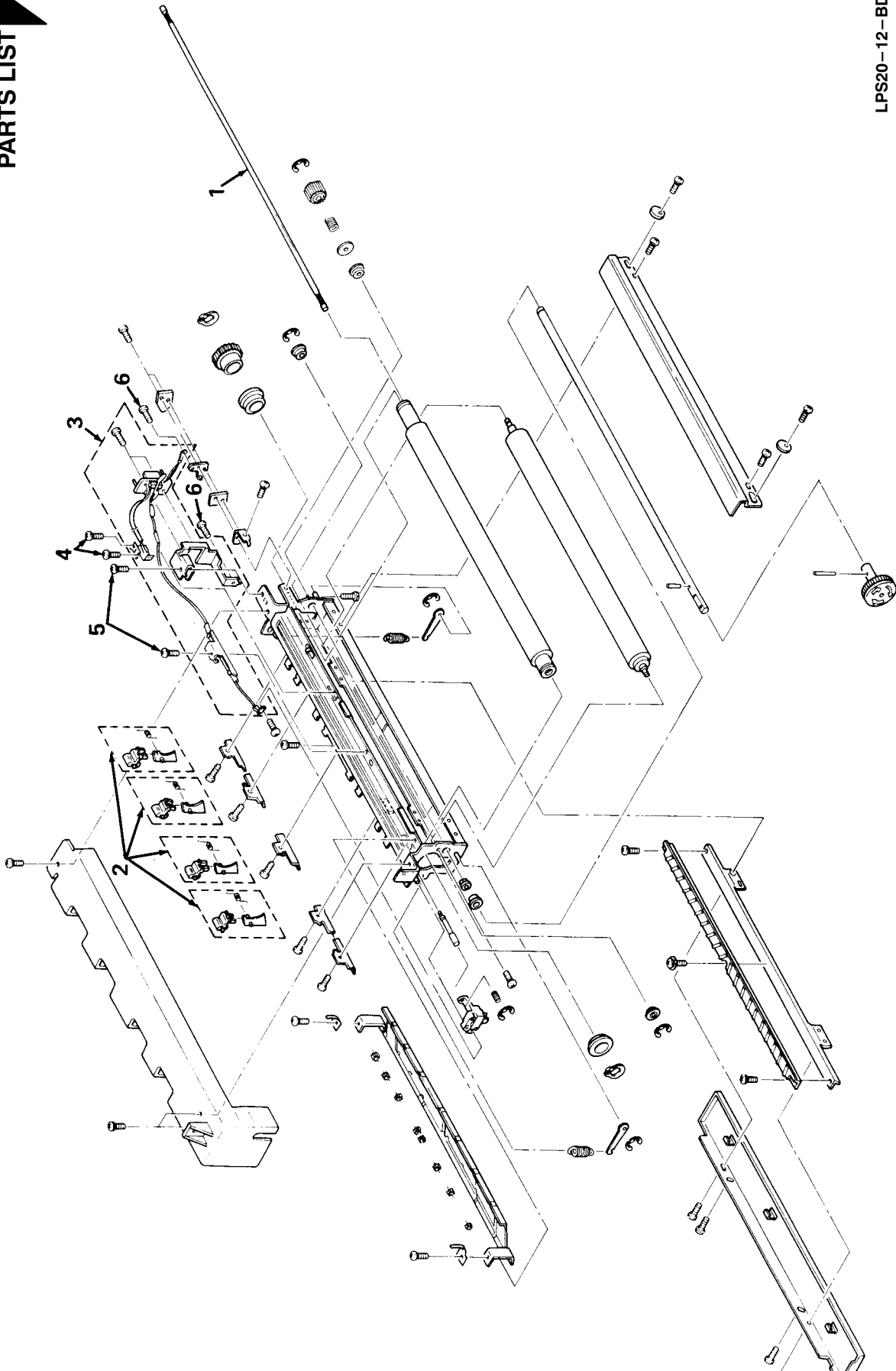


LPS20-11-BD

Figure 11. Fork Gate Unit

FIG. & ITEM NO.	DESCRIPTION	VENDOR PART NO.	DEC PART NO.	USED ON CODE	REF FIG NO.
11-	FORK GATE UNIT				
1	*Photointerruptor	A0095520			
2	*Belt, 80S2M600 Timing		29-27389-01		
3	*Solenoid, G836-RL1		29-27390-01		
4	*Sensor Assembly, Fusing Exit		29-27391-01		
5	*Screw, Phi Pan Hd M4X10 (100 pcs/1 Set)	03140100B			
6	*Screw, Phi Pan Hd M4X6 (100 pcs/1 Set)	03140060B			
7	*Screw, Phi Pan Hd M3X5 (100 pcs/1 Set)	03130050B			

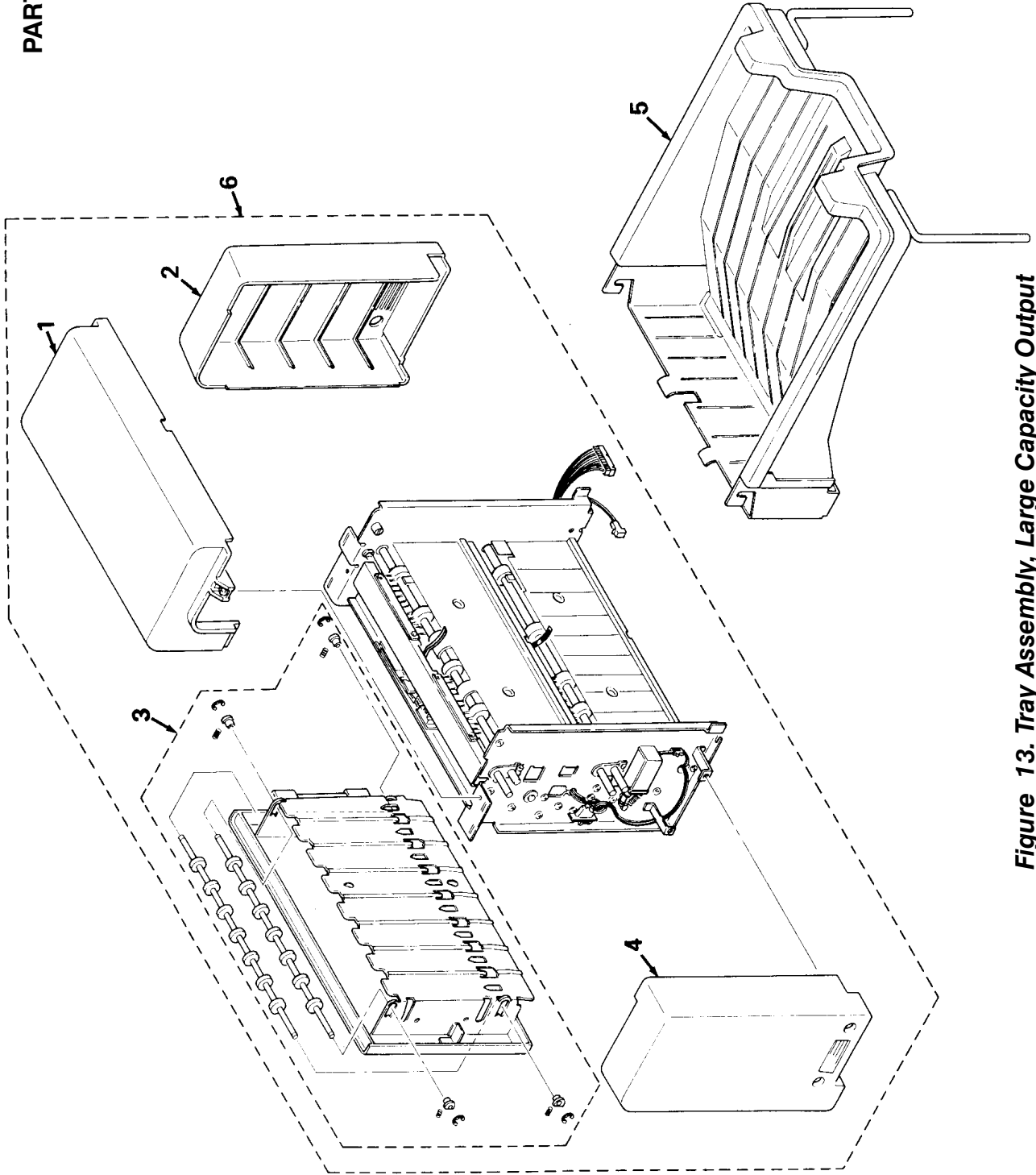
PARTS LIST



LPS20-12-BD

Figure 12. Fusing Assembly

FIG. & ITEM NO.	DESCRIPTION	VENDOR PART NO.	DEC PART NO.	USED ON CODE	REF FIG NO.
12-	FUSING ASSEMBLY				
1	*Lamp, Fuse (120V)		29-27394-01		
	*Lamp, Fuse (240V)		29-27395-01		
2	*Pawl Assembly, Separation		29-27383-01		
3	*Thermister and Fuse Assembly (120V)		29-27396-01		
	*Thermister and Fuse Assembly (240V)		29-27485-01		
4	*Screw, Phi Pan Hd M3X5 (100 pcs/1 Set)	03130050B			
5	*Screw, Phi Pan Hd M4X6 (100 pcs/1 Set)	03140060B			
6	*Screw, Phi Pan Hd M3X3 (100 pcs/1 Set)	08011135			

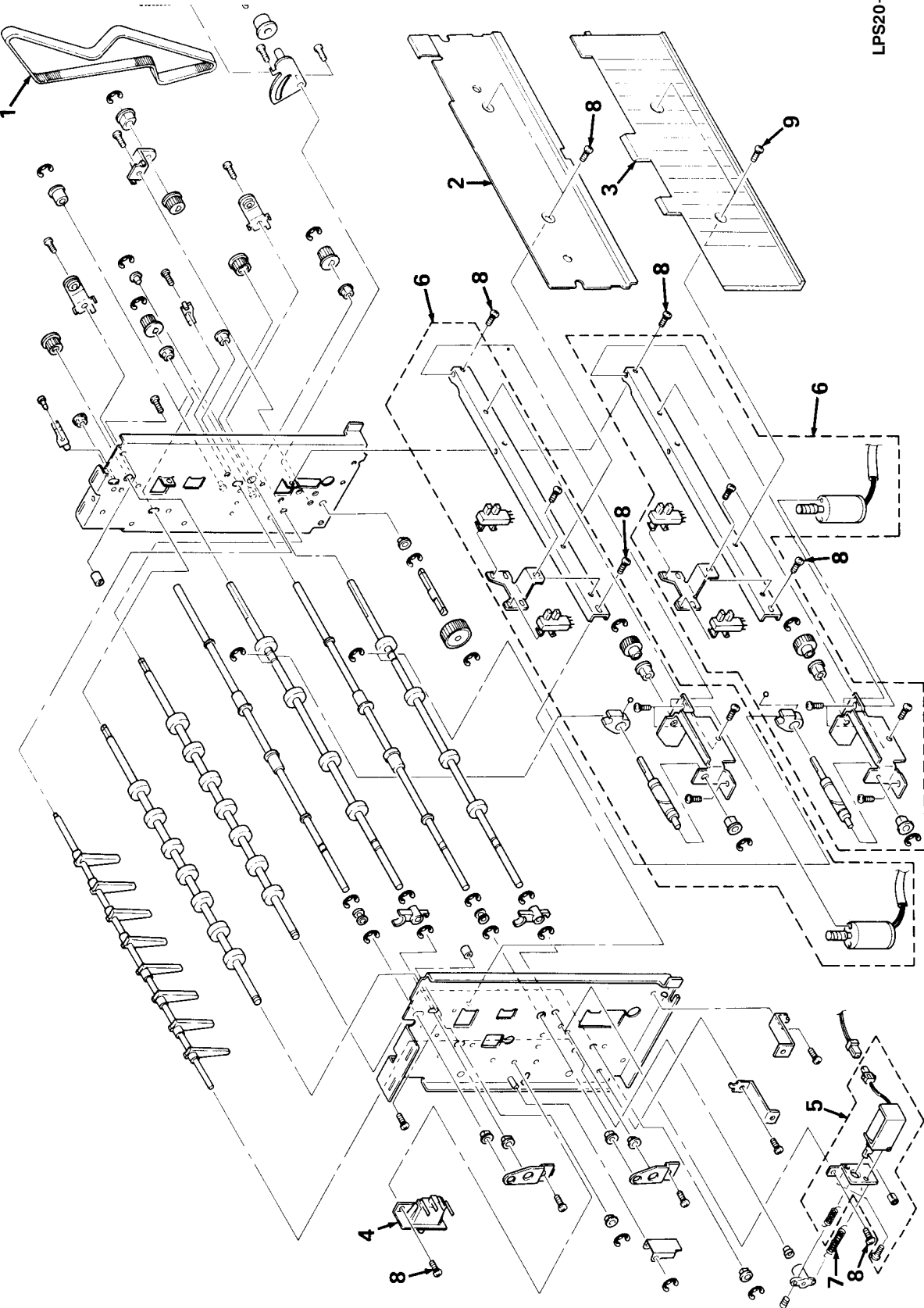


LPS20-13-SC

Figure 13. Tray Assembly, Large Capacity Output

FIG. & ITEM NO.	DESCRIPTION	VENDOR PART NO.	DEC PART NO.	USED ON CODE	REF FIG NO.
13-	TRAY ASSEMBLY, LARGE CAPACITY OUTPUT				
1	*Cover, Top	G6271542			
2	*Cover, Rear	G6271541			
3	*Cover, Left	G6274899			
4	*Cover, Front	G6271540			
5	*Tray, Upper Exit		29-27392-01		
6	*Tray Assembly, Large Capacity Output		29-27393-01		

PARTS LIST

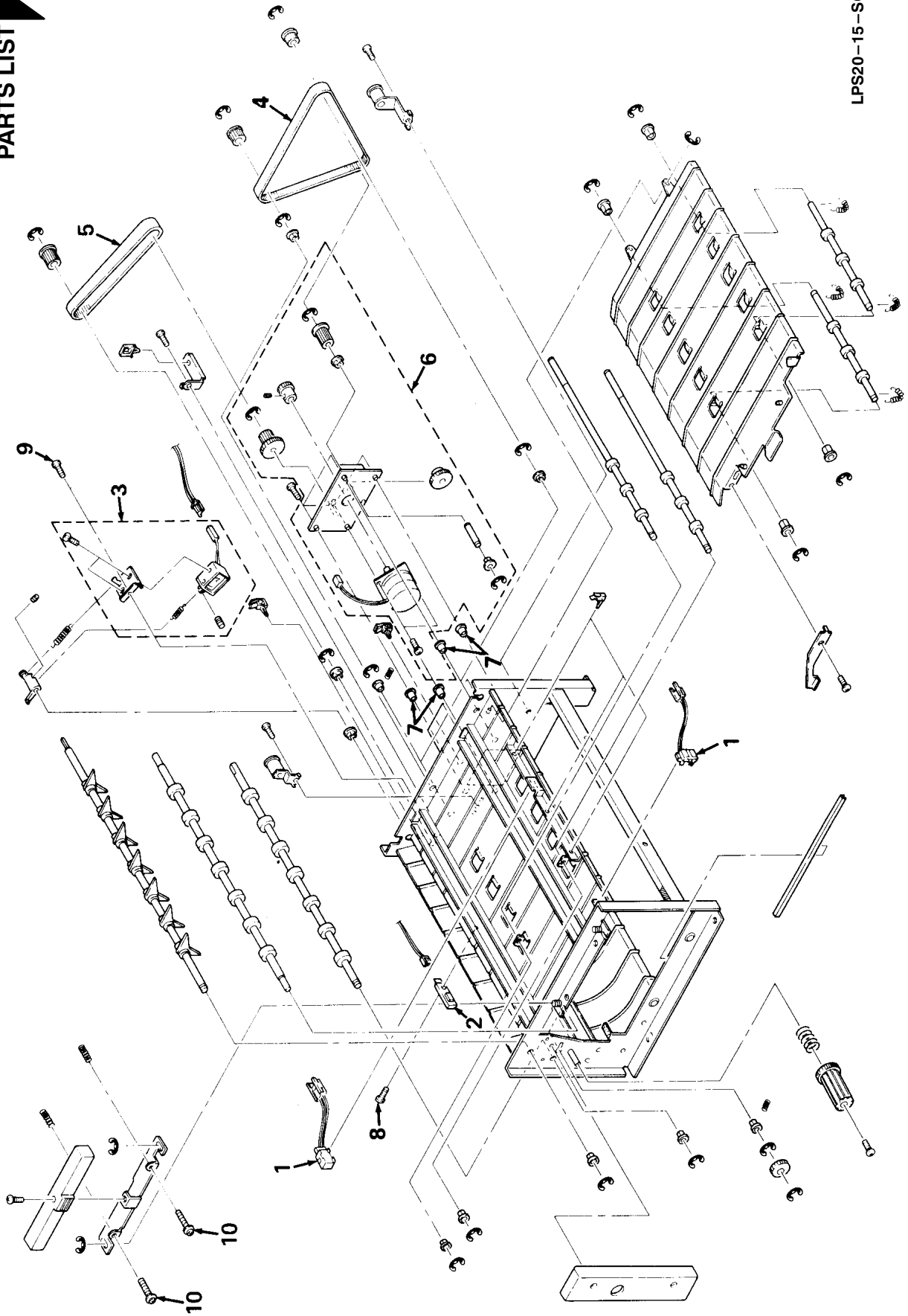


LPS20-14-SC

Figure 14. Tray Assembly, Large Capacity Output #2

FIG. & ITEM NO.	DESCRIPTION	VENDOR PART NO.	DEC PART NO.	USED ON CODE	REF FIG NO.
14-	TRAY ASSEMBLY, LARGE CAPACITY OUTPUT #2				
1	*Belt, Timing	GA043007			
2	*Cover, Upper Right	G6274871			
3	*Cover, Upper Left	G6274872			
4	*Switch, Left Cover Interlock	G6274906			
5	*Solenoid Assembly	G6274885			
6	*Stay Assembly	G6274856			
7	*Spring, Bin Gate	67693132			
8	*Screw, Phi Pan Hd M4X6 (100 pcs/1 Set)	03140060B			
9	*Screw, Phi Truss Hd M4X6 (100 pcs/1 Set)	03440060F			

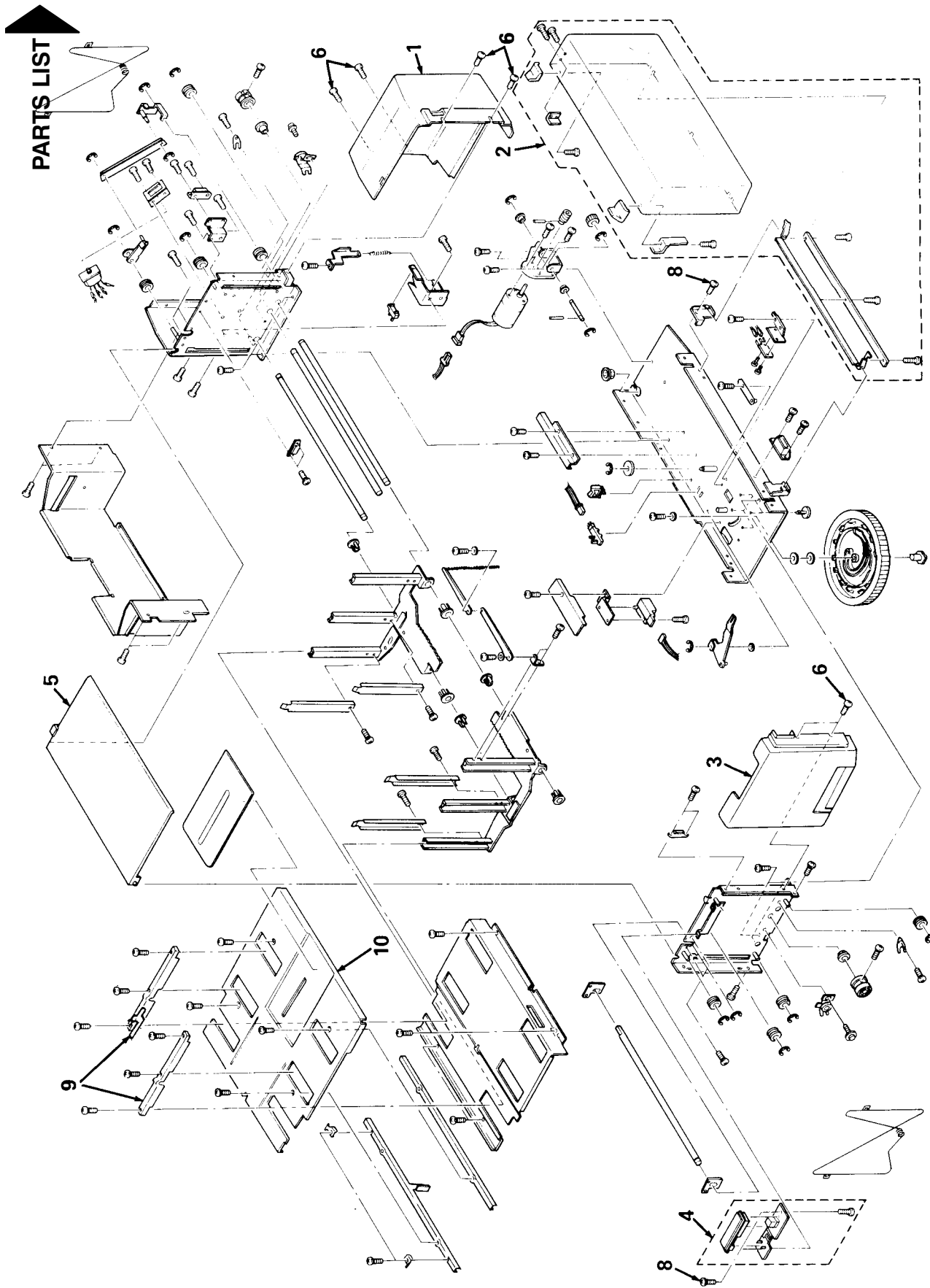
PARTS LIST



LPS20-15-SC

Figure 15. DPX Assembly

FIG. & ITEM NO.	DESCRIPTION	VENDOR PART NO.	DEC PART NO.	USED ON CODE	REF FIG NO.
15-	DPX ASSEMBLY				
1	*Photosensor w/Actuator	GW020003			
2	*Photorelector	GW010002			
3	*Solenoid Assembly, DPX	G6294899			
4	*Belt, Timing 225MXL	GA043009			
5	*Belt, Timing 180MXL	GA043008			
6	*Motor Assembly, Feed	G6291410			
7	*Bushing	GA174001			
8	*Screw, Phi Pan Hd M3X8 (100 pcs/1 Set)	03130080B			
9	*Screw, Phi Pan Hd M4X6 (100 pcs/1 Set)	03140060B			
10	*Screw, Washer Hd M3X12 (100 pcs/1 Set)	09513012B			



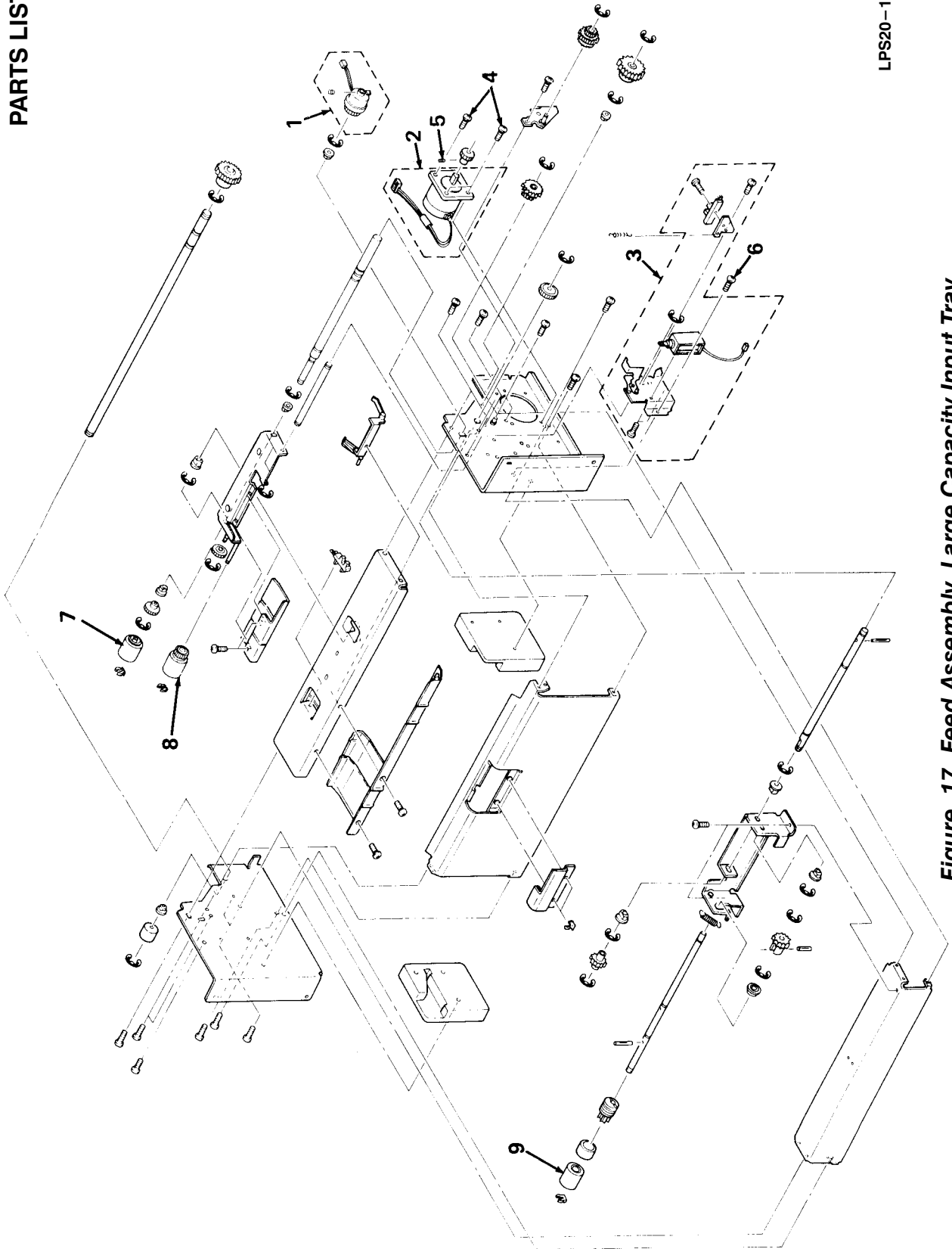
PARTS LIST

LPS20-16-SC

Figure 16. Tray Assembly, Large Capacity Input

FIG. & ITEM NO.	DESCRIPTION	VENDOR PART NO.	DEC PART NO.	USED ON CODE	REF FIG NO.
16-	TRAY ASSEMBLY, LARGE CAPACITY INPUT (F/S LPS2X-AF)		29-27399-01		
1	*Cover, Rear	G6301561			
2	*Cover, Right		29-27370-01		
3	*Cover, Front	G6301550			
4	*Panel, Operation	G6305250			
5	*Cover, Top	G6301553			
6	*Screw, Phi Truss Hd M4X8 (100 pcs/1 Set)	03440080F			
7	*Screw, Phi Pan Hd M4X4 (100 pcs/1 Set)	03140040B			
8	*Screw, Phi Pan Hd M3X4 (100 pcs/1 Set)	03130040B			
9	*Grippers, LCIT		29-28856-01		
10	*Tray, Bottom Plate		29-28857-01		

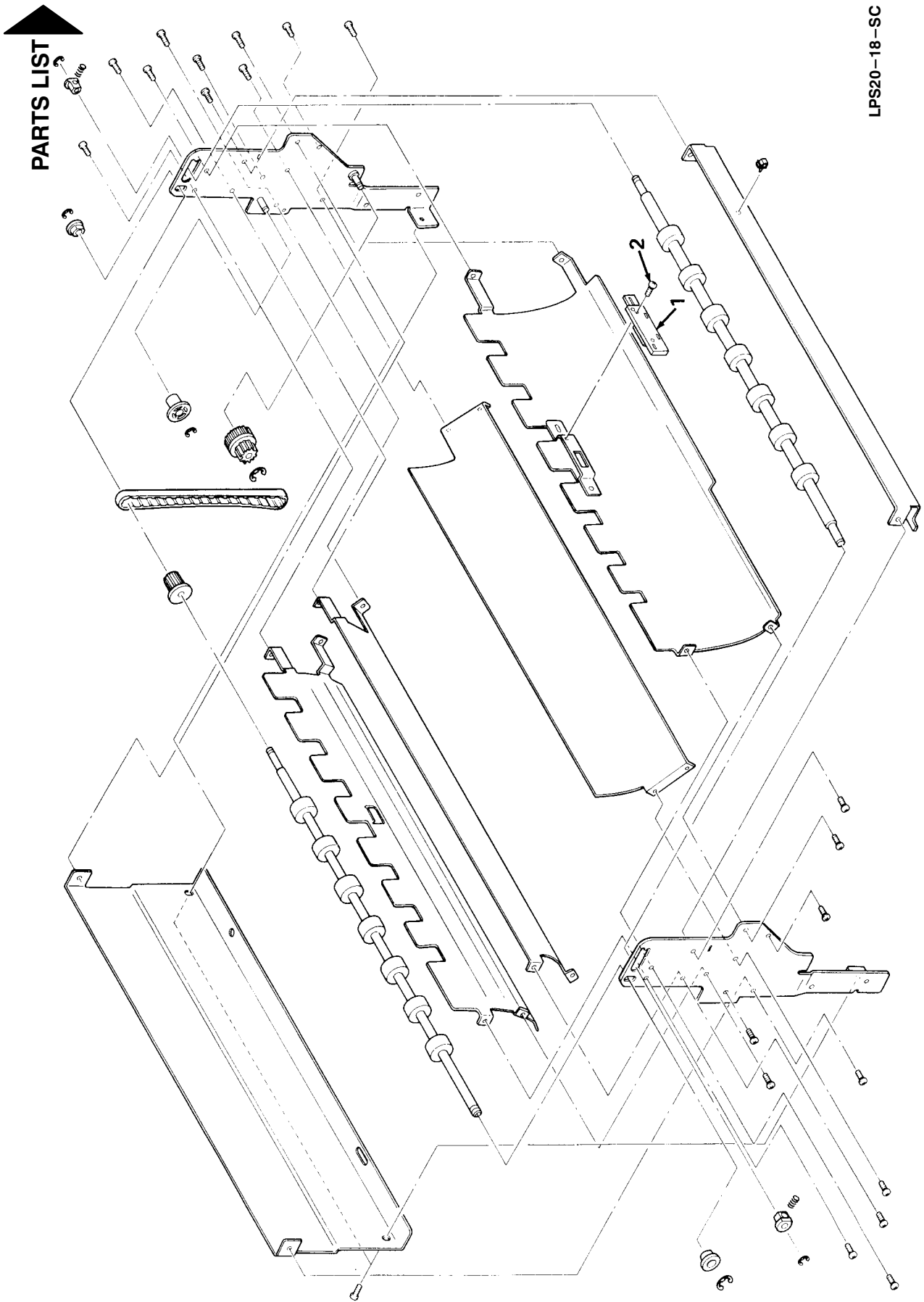
PARTS LIST



LPS20-17-BD

Figure 17. Feed Assembly, Large Capacity Input Tray

FIG. & ITEM NO.	DESCRIPTION	VENDOR PART NO.	DEC PART NO.	USED ON CODE	REF FIG NO.
17-	FEED ASSEMBLY, LARGE CAPACITY INPUT TRAY		N/A		
1	*Clutch	GX200003			
2	*Motor, Table Feed	G6291223			
3	*Solenoid Assembly, Large Capacity Input Tray Feed	G6293050			
4	*Screw, Washer Hd M3X12 (100 pcs/1 Set)	09513012B			
5	*Screw, Set M4X5 (100 pcs/1 Set)	05740050E			
6	*Screw, Phi Pan Hd M4X6 (100 pcs/1 Set)	03140060B			
7	*Roller, Pick-Up		29-25103-01		
8	*Roller, Feed		29-25102-01		
9	*Roller, Separation		29-27933-01		



PARTS LIST

LPS20-18-SC

Figure 18. Feed Assembly, Table

FIG. & ITEM NO.	DESCRIPTION	VENDOR PART NO.	DEC PART NO.	USED ON CODE	REF FIG NO.
18-	FEED ASSEMBLY, TABLE		N/A		
1	*Photoreflector	GW010002			
2	*Screw, Phi Pan Hd M3X8 (100 pcs/1 Set)	03130080B			

▲
PARTS LIST

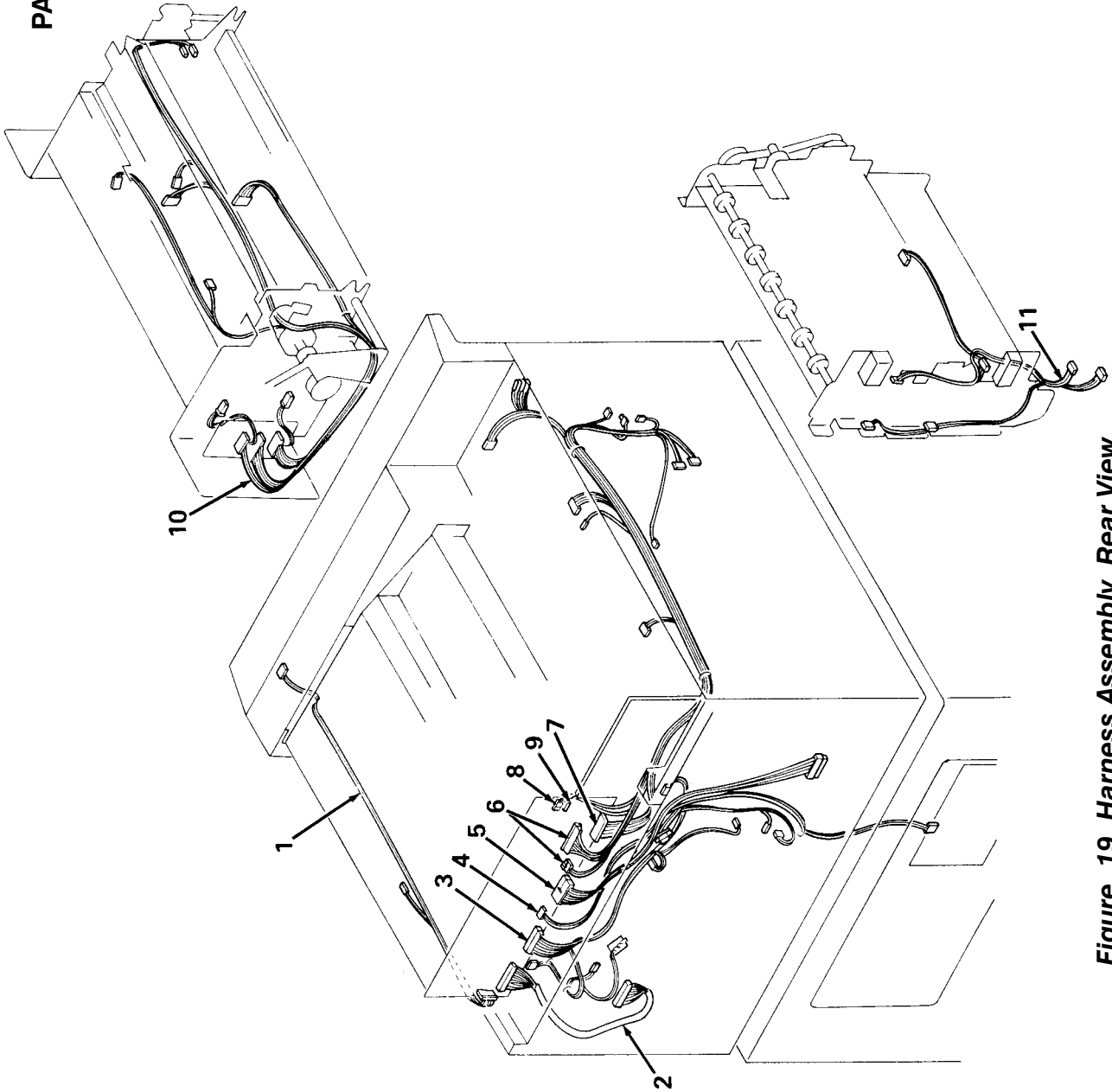
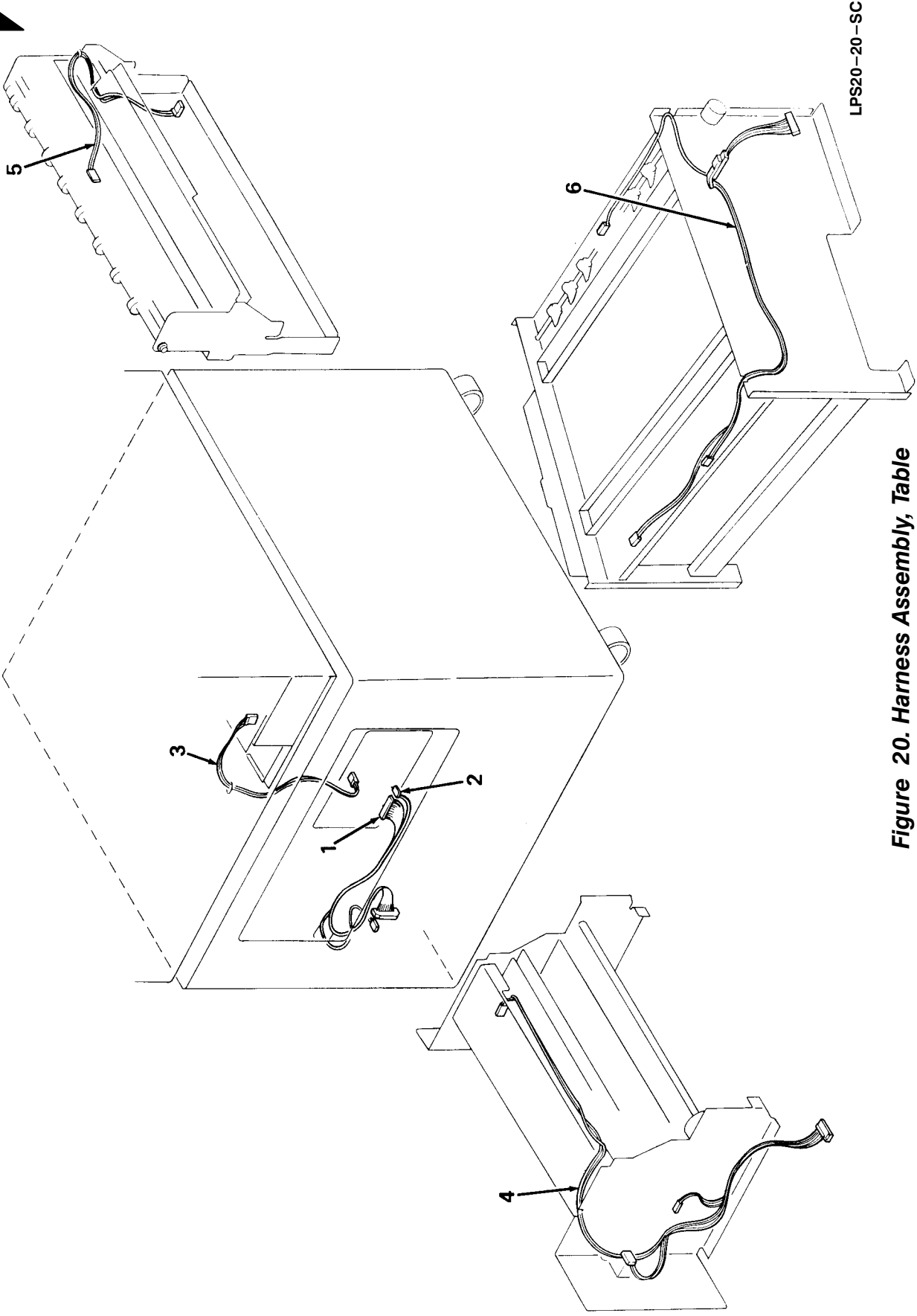


Figure 19. Harness Assembly, Rear View

LPS20-19-SC

FIG. & ITEM NO.	DESCRIPTION	VENDOR PART NO.	DEC PART NO.	USED ON CODE	REF FIG NO.
19-	HARNESS ASSEMBLY, REAR VIEW		N/A		
1	*Harness Assembly, Relay Operation Panel	G0045580			
2	*Harness Assembly, Relay Paper Feed Unit	G0045542			
3	*Harness Assembly, Relay Process Unit	G0045554			
4	*Harness Assembly, Feed Drive	G0045560			
5	*Harness Assembly, Relay PSU	G0045540			
6	*Harness Assembly, Left Side	G0045564			
7	*Harness Assembly, Relay Optical Unit	G0045530			
8	*Cable Assembly, Optical Fiber 630MM	GW030003			
9	*Cable Assembly, Optical Fiber 620MM	GW030001			
10	*Harness Assembly, Paper Feed Unit	G0045544			
11	*Harness Assembly, Fork Gate Unit	G0045566			

PARTS LIST

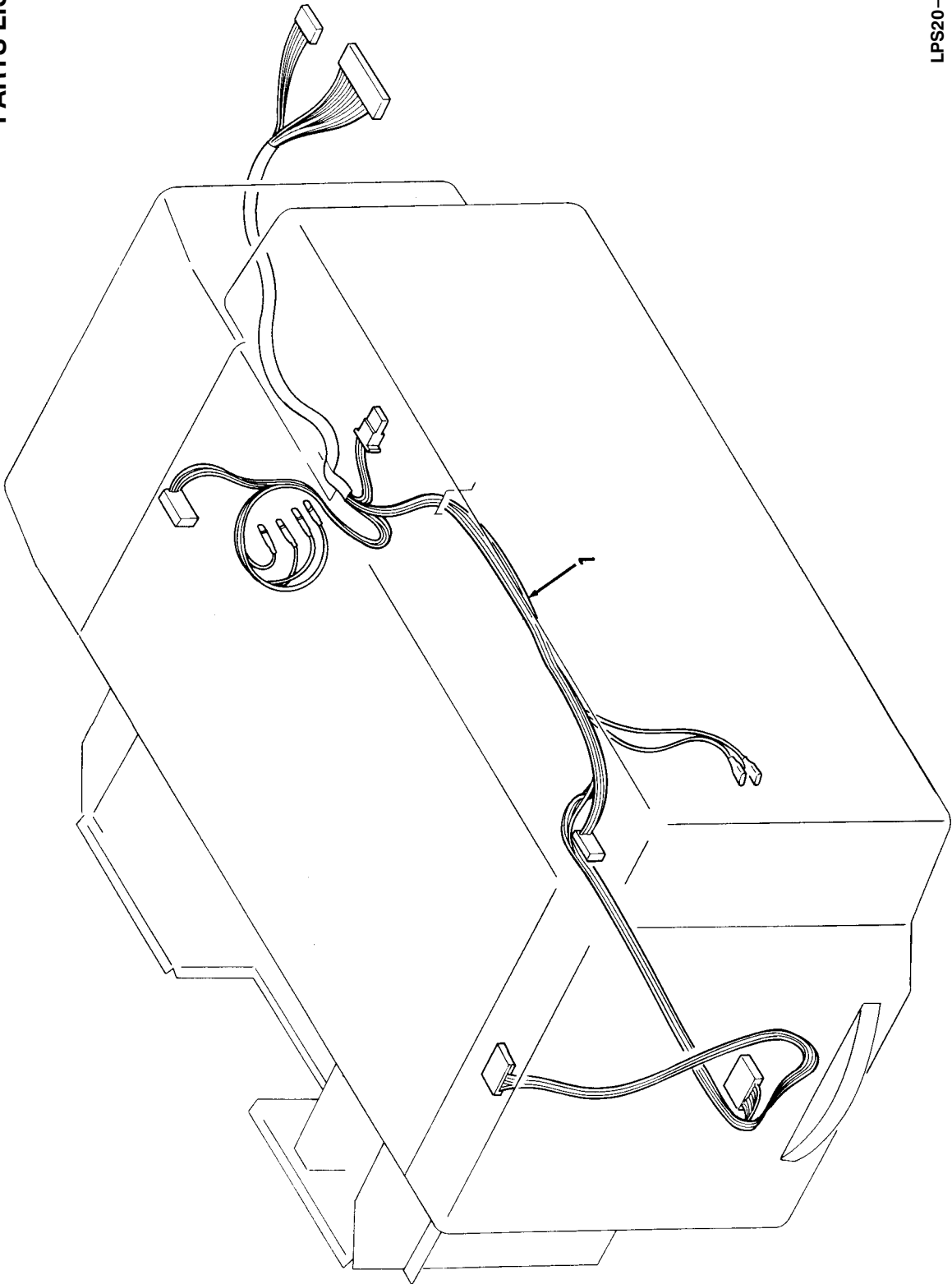


LPS20-20-SC

Figure 20. Harness Assembly, Table

FIG. & ITEM NO.	DESCRIPTION	VENDOR PART NO.	DEC PART NO.	USED ON CODE	REF FIG NO.
20-	HARNESS ASSEMBLY, TABLE		N/A		
1	*Harness Assembly, Large Capacity Input Tray Relay 26 P	G6295516			
2	*Harness Assembly, Large Capacity Input Tray Relay 4 P	G6295515			
3	*Harness Assembly, Table Power	G6295510			
4	*Harness Assembly, Large Capacity Input Tray Feed Unit	G6295530			
5	*Harness Assembly, Table Feed Unit	G6295550			
6	*Harness Assembly, DPX	G6295570			

PARTS LIST 



LPS20-21 - SC

Figure 21. Harness Assembly, Large Capacity Input Tray

FIG.& ITEM NO.	DESCRIPTION	VENDOR PART NO.	DEC PART NO.	USED ON CODE	REF FIG NO.
21– 1	HARNESS ASSEMBLY, LARGE CAPACITY INPUT TRAY *Harness Assembly, Large Capacity Input Tray	G6305530	N/A		

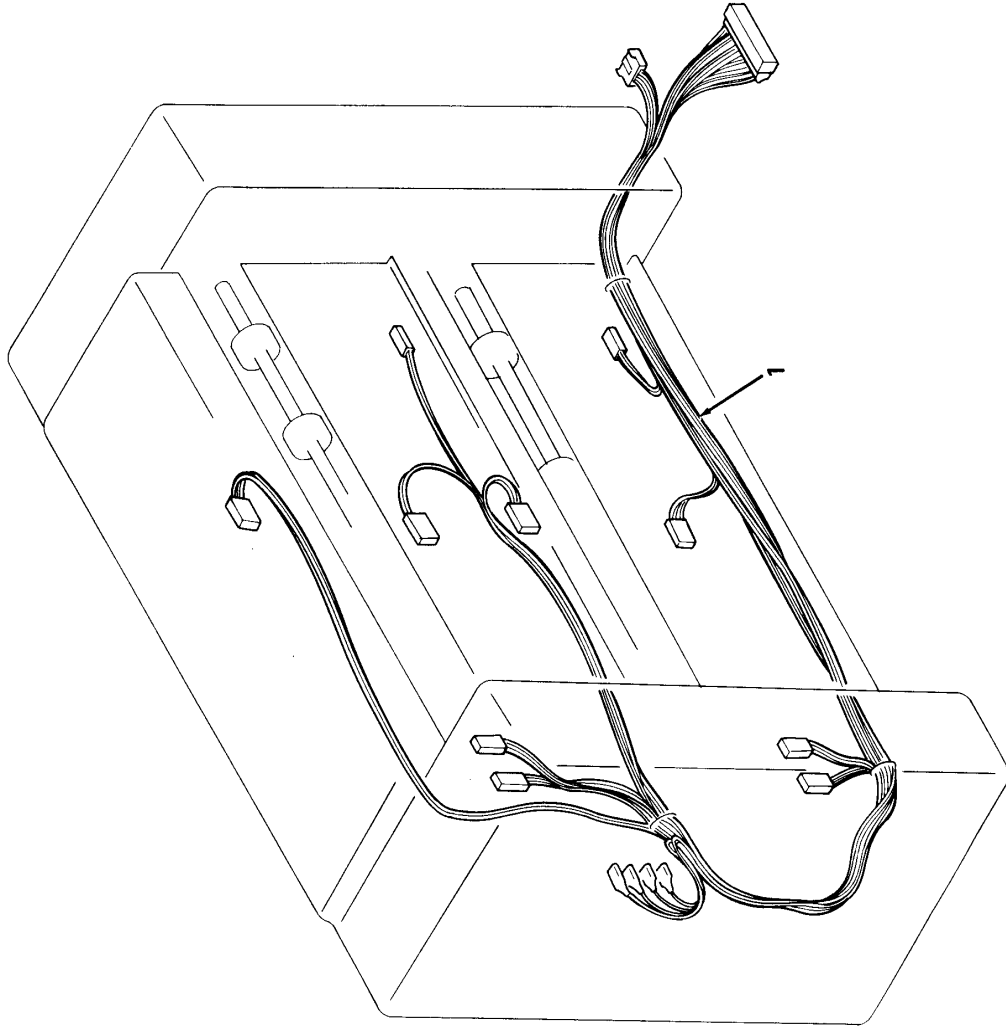


Figure 22. Harness Assembly, Large Capacity Output Tray

FIG. & ITEM NO.	DESCRIPTION	VENDOR PART NO.	DEC PART NO.	USED ON CODE	REF FIG NO.
22 –	HARNESS ASSEMBLY, LARGE CAPACITY OUTPUT TRAY		N/A		
1	*Harness Assembly, Large Capacity Output Tray	G6275530			

Ω

PART NUMBER/DESCRIPTION INDEX 

INDEX BY DEC PART NUMBER
PrintServer 20/Turbo PrintServer 20 Systems

PART NO.	DESCRIPTION	FIG NO.	ITEM NO.
03130040B	Screw, Phl Pan Hd M3X4 (100 pcs/1 Set)	16	8
03130050B	Screw, Phl Pan Hd M3X5 (100 pcs/1 Set)	12	4
03130050B	Screw, Phl Pan Hd M3X5 (100 pcs/1 Set)	4	22
03130050B	Screw, Phl Pan Hd M3X5 (100 pcs/1 Set)	9	4
03130050B	Screw, Phl Pan Hd M3X5 (100 pcs/1 Set)	3	6
03130050B	Screw, Phl Pan Hd M3X5 (100 pcs/1 Set)	11	7
03130080B	Screw, Phl Pan Hd M3X8 (100 pcs/1 Set)	15	8
03130080B	Screw, Phl Pan Hd M3X8 (100 pcs/1 Set)	18	2
03130300B	Screw, Phl Pan Hd M3X30 (100 pcs/1 Set)	6	16
03140040B	Screw, Phl Pan Hd M4X4 (100 pcs/1 Set)	16	7
03140040W	Screw, Phl Pan Hd M4X4 (100 pcs/1 Set)	6	17
03140060B	Screw, Phl Pan Hd M4X6 (100 pcs/1 Set)	12	5
03140060B	Screw, Phl Pan Hd M4X6 (100 pcs/1 Set)	8	13
03140060B	Screw, Phl Pan Hd M4X6 (100 pcs/1 Set)	4	21
03140060B	Screw, Phl Pan Hd M4X6 (100 pcs/1 Set)	11	6
03140060B	Screw, Phl Pan Hd M4X6 (100 pcs/1 Set)	14	8
03140060B	Screw, Phl Pan Hd M4X6 (100 pcs/1 Set)	7	8
03140060B	Screw, Phl Pan Hd M4X6 (100 pcs/1 Set)	17	6
03140060B	Screw, Phl Pan Hd M4X6 (100 pcs/1 Set)	3	5
03140060B	Screw, Phl Pan Hd M4X6 (100 pcs/1 Set)	15	9
03140060B	Screw, Phl Pan Hd M4X6 (100 pcs/1 Set)	5	6
03140060B	Screw, Phl Pan Hd M4X6 (100 pcs/1 Set)	10	7
03140060B	Screw, Phl Pan Hd M4X6 (100 pcs/1 Set)	6	14
03140100B	Screw, Phl Pan Hd M4X10 (100 pcs/1 Set)	11	5
03140100B	Screw, Phl Pan Hd M4X10 (100 pcs/1 Set)	9	5
03140100B	Screw, Phl Pan Hd M4X10 (100 pcs/1 Set)	10	10
03150080B	Screw, Phl Pan Hd M6X8 (100 pcs/1 Set)	8	10
03230060B	Screw, Phl Sunk M3X6 (100 pcs/1 Set)	10	9
03440060F	Screw, Phl Truss Hd M4X6 (100 pcs/1 Set)	14	9
03440080F	Screw, Phl Truss Hd M4X8 (100 pcs/1 Set)	16	6
03440100F	Screw, Phl Pan Hd M4X10 (100 pcs/1 Set)	4	20
05740050E	Screw, Set M4X5 (100 pcs/1 Set)	17	5
05740050E	Screw, Set M4X5 (100 pcs/1 Set)	7	10
07200060E	Ring, Retaining M6 (100 pcs/1 Set)	10	8
07200060E	Ring, Retaining M6 (100 pcs/1 Set)	7	9
08011135	Screw, Phl Pan Hd M3X3 (100 pcs/1 Set)	12	6
08053368	Ball Bearing 8X16X5MM	7	11
09513012B	Screw, Washer Hd M3X12 (100 pcs/1 Set)	17	4
09513012B	Screw, Washer Hd M3X12 (100 pcs/1 Set)	15	10
09513018B	Screw, Washer Hd M3 (100 pcs/1 Set)	9	6
09514006B	Screw, Phl Washer Hd M4 (100 pcs/1 Set)	4	19
09514008B	Screw, Washer Hd M4X8 (100 pcs/1 Set)	8	11
09514008B	Screw, Phl Washer Hd M4X8 (100 pcs/1 Set)	5	5
09514008B	Screw, Phl Washer Hd M4X8 (100 pcs/1 Set)	3	7
09514008B	Screw, Phl Washer Hd M4X8 (100 pcs/1 Set)	7	7
09514008B	Screw, Phl w/Flat Washer Hd M4X8 (100 pcs/1 Set)	2	12
09514008B	Screw, Phl Washer Hd M4 (100 pcs/1 Set)	6	15
09514008B	Screw, Phl Washer Hd M4X8 (100 pcs/1 Set)	4	23
09534008M	Screw, Phl w/Lock Washer Hd M4X4 (100 pcs/1 Set)	2	11
09654010B	Screw, Self Tap M4X10 (100 pcs/1 Set)	4	18

INDEX BY DEC PART NUMBER
PrintServer 20/Turbo PrintServer 20 Systems

PART NO.	DESCRIPTION	FIG NO.	ITEM NO.
12-31518-01	Fuse, 15A 125V	6	12
12-31668-01	Fuse, 220/240V	6	12
17-00198-14	Cord, Power (240V)	1	Not Shown
17-00199-00	Cord, Power (240V)	1	Not Shown
17-00199-00	Cord, Power (240V)	1	Not Shown
17-00199-00	Cord, Power (240V)	1	Not Shown
17-00199-00	Cord, Power (240V)	1	Not Shown
17-00199-00	Cord, Power (240V)	1	Not Shown
17-00199-00	Cord, Power (240V)	1	Not Shown
17-00199-21	Cord, Power (240V)	1	Not Shown
17-00199-21	Cord, Power (240V)	1	Not Shown
17-00199-21	Cord, Power (240V)	1	Not Shown
17-00209-15	Cord, Power (240V)	1	Not Shown
17-00210-00	Cord, Power (240V)	1	Not Shown
17-00310-01	Cord, Power (240V)	1	Not Shown
17-00364-18	Cord, Power (240V)	1	Not Shown
17-00456-16	Cord, Power (240V)	1	Not Shown
17-03218-01	Cable, Coax (Male - Female)	1	Not Shown
29-25102-00	Roller, Feed	1	Not Shown
29-25102-00	Roller, Feed	1	Not Shown
29-25102-01	Roller, Feed	17	8
29-25102-01	Roller, Feed	10	12
29-25103-00	Roller, Pick-up	1	Not Shown
29-25103-00	Roller, Pick-up	1	Not Shown
29-25103-01	Roller, Pick-Up	10	11
29-25103-01	Roller, Pick-Up	17	7
29-27353-01	LCIT Feed Unit	3	2
29-27354-01	Development Unit	1	Not Shown
29-27354-01	Development Unit	1	Not Shown
29-27354-01	Development Unit	2	13
29-27355-01	Registration Roller Unit	2	8
29-27356-01	Module, Table Drive	3	1
29-27357-01	Duplexer Unit	3	3
29-27358-01	Table Feed Unit	3	4
29-27359-01	Panel Assembly, Operation	4	9
29-27360-01	Module, Engine Drive	5	2
29-27361-01	Mother Board	5	3
29-27362-01	Sensor Assembly, Cleaning	6	2
29-27363-01	Switch, Left Cover Interlock	6	4
29-27364-01	Power Pack	6	5
29-27365-01	Sensor, OPC Drum	6	6
29-27366-01	Fan, Ozone	6	7
29-27368-01	Fan Assembly, Process	4	15
29-27369-01	Switch, Toner Overflow	4	16
29-27370-01	Cover, Right	16	2
29-27371-01	Diode, Zener Z6MV921	4	17
29-27372-01	Drive Assembly, Development	7	1

INDEX BY DEC PART NUMBER
PrintServer 20/Turbo PrintServer 20 Systems

PART NO.	DESCRIPTION	FIG NO.	ITEM NO.
29-27374-01	Belt, Timing 166XL	8	1
29-27375-01	Belt, Timing 3M633	8	2
29-27376-01	Motor Assembly, Main	8	3
29-27377-01	Drive Assembly, Main	8	4
29-27378-01	Clutch, Registration	8	5
29-27379-01	Pulley 21 Tooth	8	6
29-27380-01	Pulley, 32T	7	5
29-27381-01	Belt, Timing 3M219	8	7
29-27383-01	Pawl Assembly, Separation	12	2
29-27384-01	Optical Unit	2	1
29-27384-01	OPTICAL ASSEMBLY	9	N/A
29-27385-01	Fork Gate Unit	2	2
29-27386-01	Transport Unit	2	3
29-27387-01	Fusing Unit (120V)	1	Not Shown
29-27388-01	Fusing Unit (240V)	1	Not Shown
29-27388-01	Fusing Unit (240V)	2	17
29-27389-01	Belt, 80S2M600 Timing	11	2
29-27390-01	Solenoid, G836-RL1	11	3
29-27391-01	Sensor Assembly, Fusing Exit	11	4
29-27392-01	Tray, Upper Exit	13	5
29-27393-01	Tray Assembly, Large Capacity Output	13	6
29-27394-01	Lamp, Fuse (120V)	12	1
29-27395-01	Lamp, Fuse (240V)	12	1
29-27396-01	Thermister and Fuse Assembly (120V)	12	3
29-27397-01	Photointerruptor	10	6
29-27399-01	TRAY ASSEMBLY, LARGE CAPACITY INPUT (F/S LPS2X-AF)	16	N/A
29-27399-01	Tray Assembly, Large Capacity Input (F/S LPS2X-AF)	1	3
29-27401-01	KIT-D, 300K MAINTENANCE (240V)	1	Not Shown
29-27401-01	KIT-D, 300K MAINTENANCE (120V)	1	Not Shown
29-27401-01	Solenoid Assembly, Drum Separation Pawl	6	11
29-27401-01	Kit-D, 300K Maintenance (120V)	2	Not Shown
29-27402-01	Kit-D, 300K Maintenance (240V)	2	Not Shown
29-27404-01	Power Supply Unit (100V)	2	5
29-27405-01	Power Supply Unit (200V)	2	5
29-27484-01	Fan, Card Case	5	1
29-27485-01	Thermister and Fuse Assembly (240V)	12	3
29-27570-01	Drawer Unit	2	7
29-27733-01	Photointerruptor EE-SX460-P2	7	2
29-27933-01	Roller, Separation	1	Not Shown
29-27933-01	Roller, Separation	1	Not Shown
29-27933-01	Roller, Separation	10	13
29-27933-01	Roller, Separation	17	9
29-28285-01	Charger, T/S	1	Not Shown
29-28302-01	Charger, Main	1	Not Shown
29-28302-01	Kit, Main Charger	2	19
29-28387-01	Cleaning Unit	2	15
29-28525-01	Engine, ROM Firmware Laser 20 PPM	1	Not Shown
29-28856-01	Grippers, LCIT	16	9
29-28857-01	Tray, Bottom Plate	16	10
29-28880-01	Cover, Development Unit	2	16
29-28992-01	Rails, Side	2	18

INDEX BY DEC PART NUMBER
PrintServer 20/Turbo PrintServer 20 Systems

PART NO.	DESCRIPTION	FIG NO.	ITEM NO.
30-29519-01	Print Engine, Laser 20 PPM (120V)	1	1
30-29519-02	Print Engine, Laser 20 PPM (240V)	1	1
30-29519-04	Shipaway Kit A	1	1
30-29519-04	Shipaway Kit A	1	1
30-29519-05	Shipaway Kit B	1	1
30-29519-06	Shipaway Kit B (Europe)	1	1
36-15946-00	Label, "Product Conversion"	1	Not Shown
36-28231-04	Label, Direct Thermal 4 x 6 inches	1	Not Shown
36-30021-02	Label, "French Front Panel"	1	Not Shown
36-30021-02	Label, "French Front Panel"	1	Not Shown
36-30021-02	Label, "French/German Front Panel"	1	Not Shown
36-30021-02	Label, "French Front Panel"	1	Not Shown
36-30021-03	Label, "Spanish Front Panel"	1	Not Shown
36-30021-04	Label, "German Front Panel"	1	Not Shown
36-30021-04	Label, "German Front Panel"	1	Not Shown
36-30021-05	Label, "Dutch Front Panel"	1	Not Shown
36-30021-05	Label, "Dutch Front Panel"	1	Not Shown
36-30021-06	Label, "Italian Front Panel"	1	Not Shown
36-30021-06	Label, "Italian Front Panel"	1	Not Shown
36-30021-07	Label, "Swedish Front Panel"	1	Not Shown
36-30021-07	Label, "French, German, Dutch Front Panel"	1	Not Shown
36-30422-07	Label, "Postcard FTZ"	1	Not Shown
36-30689-01	Label, Product Conversion, C2-A2	1	Not Shown
36-30689-02	Label, Product Conversion, C3-A3	1	Not Shown
36-30689-03	Label, Product Conversion, C3-A4	1	Not Shown
36-30689-09	Label, Product Conversion, C2-A5	1	Not Shown
36-30689-10	Label, Product Conversion, C3-A6	1	Not Shown
36-30689-11	Label, Product Conversion, C3-A7	1	Not Shown
36-30824-02	Label, "French Jam Clearance"	1	Not Shown
36-30824-02	Label, "French Jam Clearance"	1	Not Shown
36-30824-02	Label, "French Jam Clearance"	1	Not Shown
36-30824-02	Label, "French/German Jam Clearance"	1	Not Shown
36-30824-03	Label, "Spanish Jam Clearance"	1	Not Shown
36-30824-04	Label, "German Jam Clearance"	1	Not Shown
36-30824-04	Label, "German Jam Clearance"	1	Not Shown
36-30824-05	Label, "Dutch Jam Clearance"	1	Not Shown
36-30824-05	Label, "Dutch Jam Clearance"	1	Not Shown
36-30824-06	Label, "Italian Jam Clearance"	1	Not Shown
36-30824-06	Label, "Italian Jam Clearance"	1	Not Shown
36-30824-07	Label, "Swedish Jam Clearance"	1	Not Shown
36-30824-07	Label, "French, German, Dutch Jam Clearance"	1	Not Shown
54-17449-01	Module, PrintServer 20 Controller (Not Shown)	1	2
54-20830-01	Module, Turbo PrintServer 20 Controller (Not Shown)	1	Not Shown
54-20830-02	Module, Turbo PrintServer 20 Controller (Not Shown)	1	2
54003404	Screw, Stepped	8	12
54472681	Ring, Snap	2	10
67693132	Spring, Bin Gate	14	7
74-36751-02	Medallion, Turbo PrintServer 20	1	4
74-36751-02	Medallion, Turbo PrintServer 20	1	Not Shown

INDEX BY DEC PART NUMBER
PrintServer 20/Turbo PrintServer 20 Systems

PART NO.	DESCRIPTION	FIG NO.	ITEM NO.
A0095520	Photointerruptor	11	1
AW020006	Photointerruptor EE-SX460-P2	6	10
G0041326	Bracket, I/F Connector	5	4
G0041340	Counter Assembly, Total	6	3
G0041357	Bracket, Ozone Fan	6	13
G0041480	Spring, Exit Drive Tensioner	8	9
G0041600	Cover, Front	4	14
G0041610	Cover, Operation Panel	4	10
G0041617	Cover, Rear	4	4
G0041620	Cover Assembly, Left	4	6
G0041630	Tray, Side Exit	4	5
G0041638	Pivot, Left Cover	4	7
G0041640	Holder, Ozone Cartridge	4	2
G0041643	Cartridge, Ozone Filter	4	1
G0041647	Cover, Right	4	8
G0041650	Cover, Top	4	3
G0041660	Cover, Inner Left	4	11
G0041663	Cover, Inner Upper Right	4	13
G0041664	Cover, Inner Lower Right	4	12
G0042811	LD Assembly	9	3
G0042891	Shield, Glass	1	Not Shown
G0043005	Paper Feed Unit	2	6
G0043200	Motor Assembly, Cassette	10	1
G0043440	T/S Charger Guide	2	9
G0043480	Receptacle Assembly, T/S Charger	6	1
G0044278	Feeler, Drum Change Sensor	7	3
G0045400	PCB Assembly, Paper Feed	10	4
G0045486	Switch, Fusing Interlock	6	8
G0045530	Harness Assembly, Relay Optical Unit	19	7
G0045540	Harness Assembly, Relay PSU	19	5
G0045542	Harness Assembly, Relay Paper Feed Unit	19	2
G0045544	Harness Assembly, Paper Feed Unit	19	10
G0045554	Harness Assembly, Relay Process Unit	19	3
G0045560	Harness Assembly, Feed Drive	19	4
G0045564	Harness Assembly, Left Side	19	6
G0045566	Harness Assembly, Fork Gate Unit	19	11
G0045580	Harness Assembly, Relay Operation Panel	19	1
G6271540	Cover, Front	13	4
G6271541	Cover, Rear	13	2
G6271542	Cover, Top	13	1
G6274856	Stay Assembly	14	6
G6274871	Cover, Upper Right	14	2
G6274872	Cover, Upper Left	14	3
G6274885	Solenoid Assembly	14	5
G6274899	Cover, Left	13	3
G6274906	Switch, Left Cover Interlock	14	4
G6275530	Harness Assembly, Large Capacity Output Tray	22	1
G6291223	Motor, Table Feed	17	2
G6291410	Motor Assembly, Feed	15	6
G6291647	Door, Cabinet Table	3	8
G6293050	Solenoid Assembly, Large Capacity Input Tray Feed	17	3

INDEX BY DEC PART NUMBER
PrintServer 20/Turbo PrintServer 20 Systems

PART NO.	DESCRIPTION	FIG NO.	ITEM NO.
G6294899	Solenoid Assembly, DPX	15	3
G6295510	Harness Assembly, Table Power	20	3
G6295515	Harness Assembly, Large Capacity Input Tray Relay 4 P	20	2
G6295516	Harness Assembly, Large Capacity Input Tray Relay 26 P	20	1
G6295530	Harness Assembly, Large Capacity Input Tray Feed Unit	20	4
G6295550	Harness Assembly, Table Feed Unit	20	5
G6295570	Harness Assembly, DPX	20	6
G6301550	Cover, Front	16	3
G6301553	Cover, Top	16	5
G6301561	Cover, Rear	16	1
G6305250	Panel, Operation	16	4
G6305530	Harness Assembly, Large Capacity Input Tray	21	1
GA010001	Filter, Ozone	1	Not Shown
GA043001	Belt, Timing 116XL	10	2
GA043007	Belt, Timing	14	1
GA043008	Belt, Timing 180MXL	15	5
GA043009	Belt, Timing 225MXL	15	4
GA060010	Spring, Feeler	7	4
GA174001	Bushing	15	7
GB017011	Pulley, Exit Drive	8	8
GC060001	Motor, Scanner	9	2
GC061002	Module, Scanner Motor Drive	9	1
GD015001	Shaft, OPC Drum Drive	7	6
GD021008	Receptacle, Main Charger	6	9
GD050001	Quenching LED Unit	2	4
GW010001	Photoreflector	10	5
GW010002	Photoreflector	18	1
GW010002	Photoreflector	15	2
GW020003	Photosensor w/Actuator	15	1
GW030001	Cable Assembly, Optical Fiber 620MM	19	9
GW030003	Cable Assembly, Optical Fiber 630MM	19	8
GX200001	Clutch, TM0-F-01	10	3
GX200003	Clutch	17	1
LPS20-A2	LPS20-A2 (120V)	1	N/A
LPS20-A3	LPS20-A3 (240V)	1	N/A
LPS20-A4	LPS20-A4 (240V)	1	N/A
LPS20-A5	LPS20-A5 (120V) (Turbo PrintServer 20)	1	N/A
LPS20-A6	LPS20-A6 (240V) (Turbo PrintServer 20)	1	N/A
LPS20-A7	LPS20-A7 (240V) (Turbo PrintServer 20)	1	N/A
LPS20-C2	LPS20-C2 20 PPM Duplex Printer (120V)	1	1
LPS20-C3	LPS20-C3 20 PPM Duplex Printer (240V)	1	1
LPS20-UA	LPS20-UA (Turbo PrintServer 20 Upgrade)	1	Not Shown
LPS2K-AB	COUNTRY KIT (Belgium)	1	Not Shown
LPS2K-AD	COUNTRY KIT (Denmark)	1	Not Shown
LPS2K-AE	COUNTRY KIT (England/Ireland)	1	Not Shown
LPS2K-AG	COUNTRY KIT (Germany)	1	Not Shown
LPS2K-AH	COUNTRY KIT (Holland)	1	Not Shown
LPS2K-AI	COUNTRY KIT (Italy)	1	Not Shown
LPS2K-AJ	COUNTRY KIT (Japan)	1	Not Shown
LPS2K-AM	COUNTRY KIT (Sweden)	1	Not Shown

INDEX BY DEC PART NUMBER
PrintServer 20/Turbo PrintServer 20 Systems

PART NO.	DESCRIPTION	FIG NO.	ITEM NO.
LPS2K-AP	COUNTRY KIT (France)	1	Not Shown

INDEX BY DEC PART NUMBER
PrintServer 20/Turbo PrintServer 20 Systems

PART NO.	DESCRIPTION	FIG NO.	ITEM NO.
LPS2K-AS	COUNTRY KIT (Spain)	1	Not Shown
LPS2K-AT	COUNTRY KIT (Israel)	1	Not Shown
LPS2K-CB	COUNTRY KIT (Switzerland)	1	Not Shown
LPS2K-CC	COUNTRY KIT (Finland, Norway, Portugal)	1	Not Shown
LPS2K-JA	COUNTRY KIT (Belgium, Germany, Holland, France)	1	Not Shown
LPS2K-JB	COUNTRY KIT (Switzerland)	1	Not Shown
LPS2X-AA	KIT, TONER	1	Not Shown
LPS2X-AB	Kit, Supplies	1	Not Shown
LPS2X-AC	Kit, OPC Drum	2	20
LPS2X-AC	Kit, OPC Drum	1	Not Shown
LPS2X-AD	Kit, Cleaning Assembly	2	14
LPS2X-AD	KIT, CLEANING UNITS	1	Not Shown
LPS4X-BA	Kit, Small Paper Cassette	2	21
LPS4X-BB	Kit, Large Paper Cassette	2	22

INDEX BY DEC PART DESCRIPTION
PrintServer 20/Turbo PrintServer 20 Systems

DESCRIPTION	DEC PART NO.	FIG. NO.	ITEM NO.
Ball Bearing 8X16X5MM	08053368	7	11
Belt, 80S2M600 Timing	29-27389-01	11	2
Belt, Timing	GA043007	14	1
Belt, Timing 116XL	GA043001	10	2
Belt, Timing 166XL	29-27374-01	8	1
Belt, Timing 180MXL	GA043008	15	5
Belt, Timing 225MXL	GA043009	15	4
Belt, Timing 3M219	29-27381-01	8	7
Belt, Timing 3M633	29-27375-01	8	2
Bracket, I/F Connector	G0041326	5	4
Bracket, Ozone Fan	G0041357	6	13
Bushing	GA174001	15	7
Cable Assembly, Optical Fiber 620MM	GW030001	19	9
Cable Assembly, Optical Fiber 630MM	GW030003	19	8
Cable, Coax (Male - Female)	17-03218-01	1	Not Shown
Cartridge, Ozone Filter	G0041643	4	1
Charger, Main	29-28302-01	1	Not Shown
Charger, T/S	29-28285-01	1	Not Shown
Cleaning Unit	29-28387-01	2	15
Clutch	GX200003	17	1
Clutch, Registration	29-27378-01	8	5
Clutch, TM0-F-01	GX200001	10	3
COMPONENT ASSEMBLY	N/A	2	N/A
Cord, Power (240V)	17-00210-00	1	Not Shown
Cord, Power (240V)	17-00199-00	1	Not Shown
Cord, Power (240V)	17-00199-00	1	Not Shown
Cord, Power (240V)	17-00199-00	1	Not Shown
Cord, Power (240V)	17-00199-00	1	Not Shown
Cord, Power (240V)	17-00199-21	1	Not Shown
Cord, Power (240V)	17-00209-15	1	Not Shown
Cord, Power (240V)	17-00199-00	1	Not Shown
Cord, Power (240V)	17-00198-14	1	Not Shown
Cord, Power (240V)	17-00456-16	1	Not Shown
Cord, Power (240V)	17-00199-21	1	Not Shown
Cord, Power (240V)	17-00310-01	1	Not Shown
Cord, Power (240V)	17-00199-21	1	Not Shown
Cord, Power (240V)	17-00199-00	1	Not Shown
Cord, Power (240V)	17-00364-18	1	Not Shown
Counter Assembly, Total	G0041340	6	3
COUNTRY KIT (Belgium)	LPS2K-AB	1	Not Shown
COUNTRY KIT (Belgium, Germany, Holland, France)	LPS2K-JA	1	Not Shown
COUNTRY KIT (Denmark)	LPS2K-AD	1	Not Shown
COUNTRY KIT (England/Ireland)	LPS2K-AE	1	Not Shown
COUNTRY KIT (Finland, Norway, Portugal)	LPS2K-CC	1	Not Shown
COUNTRY KIT (France)	LPS2K-AP	1	Not Shown
COUNTRY KIT (Germany)	LPS2K-AG	1	Not Shown
COUNTRY KIT (Holland)	LPS2K-AH	1	Not Shown
COUNTRY KIT (Israel)	LPS2K-AT	1	Not Shown
COUNTRY KIT (Italy)	LPS2K-AI	1	Not Shown
COUNTRY KIT (Japan)	LPS2K-AJ	1	Not Shown
COUNTRY KIT (Spain)	LPS2K-AS	1	Not Shown
COUNTRY KIT (Sweden)	LPS2K-AM	1	Not Shown
COUNTRY KIT (Switzerland)	LPS2K-CB	1	Not Shown
COUNTRY KIT (Switzerland)	LPS2K-JB	1	Not Shown

INDEX BY DEC PART DESCRIPTION
PrintServer 20/Turbo PrintServer 20 Systems

DESCRIPTION	DEC PART NO.	FIG. NO.	ITEM NO.
Cover Assembly, Left	G0041620	4	6
Cover, Development Unit	29-28880-01	2	16
Cover, Front	G6301550	16	3
Cover, Front	G6271540	13	4
Cover, Front	G0041600	4	14
Cover, Inner Left	G0041660	4	11
Cover, Inner Lower Right	G0041664	4	12
Cover, Inner Upper Right	G0041663	4	13
Cover, Left	G6274899	13	3
Cover, Operation Panel	G0041610	4	10
Cover, Rear	G6301561	16	1
Cover, Rear	G6271541	13	2
Cover, Rear	G0041617	4	4
Cover, Right	29-27370-01	16	2
Cover, Right	G0041647	4	8
Cover, Top	G6271542	13	1
Cover, Top	G6301553	16	5
Cover, Top	G0041650	4	3
Cover, Upper Left	G6274872	14	3
Cover, Upper Right	G6274871	14	2
Development Unit	29-27354-01	1	Not Shown
Development Unit	29-27354-01	1	Not Shown
Development Unit	29-27354-01	2	13
Diode, Zener Z6MV921	29-27371-01	4	17
Door, Cabinet Table	G6291647	3	8
DPX ASSEMBLY	N/A	15	N/A
Drawer Unit	29-27570-01	2	7
Drive Assembly, Development	29-27372-01	7	1
DRIVE ASSEMBLY, DEVELOPMENT	N/A	7	N/A
DRIVE ASSEMBLY, MAIN	N/A	8	N/A
Drive Assembly, Main	29-27377-01	8	4
Duplexer Unit	29-27357-01	3	3
ELECTRICAL SECTION	N/A	6	N/A
Engine, ROM Firmware Laser 20 PPM	29-28525-01	1	Not Shown
EXTERIOR ASSEMBLY	N/A	4	N/A
Fan Assembly, Process	29-27368-01	4	15
Fan, Card Case	29-27484-01	5	1
Fan, Ozone	29-27366-01	6	7
FEED ASSEMBLY, LARGE CAPACITY INPUT TRAY	N/A	17	N/A
FEED ASSEMBLY, TABLE	N/A	18	N/A
Feeler, Drum Change Sensor	G0044278	7	3
Filter, Ozone	GA010001	1	Not Shown
FORK GATE UNIT	N/A	11	N/A
Fork Gate Unit	29-27385-01	2	2
Fuse, 15A 125V	12-31518-01	6	12
Fuse, 220/240V	12-31668-01	6	12
FUSING ASSEMBLY	N/A	12	N/A
Fusing Unit (120V)	29-27387-01	1	Not Shown
Fusing Unit (240V)	29-27388-01	1	Not Shown
Fusing Unit (240V)	29-27388-01	2	17

INDEX BY DEC PART DESCRIPTION
PrintServer 20/Turbo PrintServer 20 Systems

DESCRIPTION	DEC PART NO.	FIG. NO.	ITEM NO.
Grippers, LCIT	29-28856-01	16	9
Harness Assembly, DPX	G6295570	20	6
Harness Assembly, Feed Drive	G0045560	19	4
Harness Assembly, Fork Gate Unit	G0045566	19	11
HARNESS ASSEMBLY, LARGE CAPACITY INPUT TRAY	N/A	21	N/A
Harness Assembly, Large Capacity Input Tray	G6305530	21	1
Harness Assembly, Large Capacity Input Tray Feed Unit	G6295530	20	4
Harness Assembly, Large Capacity Input Tray Relay 26P	G6295516	20	1
Harness Assembly, Large Capacity Input Tray Relay 4P	G6295515	20	2
HARNESS ASSEMBLY, LARGE CAPACITY OUTPUT TRAY	N/A	22	N/A
Harness Assembly, Large Capacity Output Tray	G6275530	22	1
Harness Assembly, Left Side	G0045564	19	6
Harness Assembly, Paper Feed Unit	G0045544	19	10
HARNESS ASSEMBLY, REAR VIEW	N/A	19	N/A
Harness Assembly, Relay Operation Panel	G0045580	19	1
Harness Assembly, Relay Optical Unit	G0045530	19	7
Harness Assembly, Relay Paper Feed Unit	G0045542	19	2
Harness Assembly, Relay Process Unit	G0045554	19	3
Harness Assembly, Relay PSU	G0045540	19	5
HARNESS ASSEMBLY, TABLE	N/A	20	N/A
Harness Assembly, Table Feed Unit	G6295550	20	5
Harness Assembly, Table Power	G6295510	20	3
Holder, Ozone Cartridge	G0041640	4	2
Kit, Cleaning Assembly	LPS2X-AD	2	14
KIT, CLEANING UNITS	LPS2X-AD	1	Not Shown
Kit, Large Paper Cassette	LPS4X-BB	2	22
Kit, Main Charger	29-28302-01	2	19
Kit, OPC Drum	LPS2X-AC	2	20
Kit, OPC Drum	LPS2X-AC	1	Not Shown
Kit, Small Paper Cassette	LPS4X-BA	2	21
Kit, Supplies	LPS2X-AB	1	Not Shown
KIT, TONER	LPS2X-AA	1	Not Shown
KIT-D, 300K MAINTENANCE (120V)	29-27401-01	1	Not Shown
Kit-D, 300K Maintenance (120V)	29-27401-01	2	Not Shown
KIT-D, 300K MAINTENANCE (240V)	29-27401-01	1	Not Shown
Kit-D, 300K Maintenance (240V)	29-27402-01	2	Not Shown
Label, "Dutch Front Panel"	36-30021-05	1	Not Shown
Label, "Dutch Front Panel"	36-30021-05	1	Not Shown
Label, "Dutch Jam Clearance"	36-30824-05	1	Not Shown
Label, "Dutch Jam Clearance"	36-30824-05	1	Not Shown
Label, "French Front Panel"	36-30021-02	1	Not Shown
Label, "French Front Panel"	36-30021-02	1	Not Shown
Label, "French Front Panel"	36-30021-02	1	Not Shown
Label, "French Jam Clearance"	36-30824-02	1	Not Shown
Label, "French Jam Clearance"	36-30824-02	1	Not Shown
Label, "French Jam Clearance"	36-30824-02	1	Not Shown
Label, "French, German, Dutch Front Panel"	36-30021-07	1	Not Shown
Label, "French, German, Dutch Jam Clearance"	36-30824-07	1	Not Shown

INDEX BY DEC PART DESCRIPTION
PrintServer 20/Turbo PrintServer 20 Systems

DESCRIPTION	DEC PART NO.	FIG. NO.	ITEM NO.
Label, "French/German Front Panel"	36-30021-02	1	Not Shown
Label, "French/German Jam Clearance"	36-30824-02	1	Not Shown
Label, "German Front Panel"	36-30021-04	1	Not Shown
Label, "German Front Panel"	36-30021-04	1	Not Shown
Label, "German Jam Clearance"	36-30824-04	1	Not Shown
Label, "German Jam Clearance"	36-30824-04	1	Not Shown
Label, "Italian Front Panel"	36-30021-06	1	Not Shown
Label, "Italian Front Panel"	36-30021-06	1	Not Shown
Label, "Italian Jam Clearance"	36-30824-06	1	Not Shown
Label, "Italian Jam Clearance"	36-30824-06	1	Not Shown
Label, "Postcard FTZ"	36-30422-07	1	Not Shown
Label, "Product Conversion"	36-15946-00	1	Not Shown
Label, "Spanish Front Panel"	36-30021-03	1	Not Shown
Label, "Spanish Jam Clearance"	36-30824-03	1	Not Shown
Label, "Swedish Front Panel"	36-30021-07	1	Not Shown
Label, "Swedish Jam Clearance"	36-30824-07	1	Not Shown
Label, Direct Thermal 4 x 6 inches	36-28231-04	1	Not Shown
Label, Product Conversion, C2-A2	36-30689-01	1	Not Shown
Label, Product Conversion, C2-A5	36-30689-09	1	Not Shown
Label, Product Conversion, C3-A3	36-30689-02	1	Not Shown
Label, Product Conversion, C3-A4	36-30689-03	1	Not Shown
Label, Product Conversion, C3-A6	36-30689-10	1	Not Shown
Label, Product Conversion, C3-A7	36-30689-11	1	Not Shown
Lamp, Fuse (120V)	29-27394-01	12	1
Lamp, Fuse (240V)	29-27395-01	12	1
LCIT Feed Unit	29-27353-01	3	2
LD Assembly	G0042811	9	3
LPS20-A2 (120V)	LPS20-A2	1	N/A
LPS20-A3 (240V)	LPS20-A3	1	N/A
LPS20-A4 (240V)	LPS20-A4	1	N/A
LPS20-A5 (120V) (Turbo PrintServer 20)	LPS20-A5	1	N/A
LPS20-A6 (240V) (Turbo PrintServer 20)	LPS20-A6	1	N/A
LPS20-A7 (240V) (Turbo PrintServer 20)	LPS20-A7	1	N/A
LPS20-C2 20 PPM Duplex Printer (120V)	LPS20-C2	1	1
LPS20-C3 20 PPM Duplex Printer (240V)	LPS20-C3	1	1
LPS20-UA(Turbo PrintServer 20 Upgrade)	LPS20-UA	1	Not Shown
Medallion, Turbo PrintServer 20	74-36751-02	1	Not Shown
Medallion, Turbo PrintServer 20	74-36751-02	1	4
Module, Engine Drive	29-27360-01	5	2
Module, PrintServer 20 Controller (Not Shown)	54-17449-01	1	2
Module, Scanner Motor Drive	GC061002	9	1
Module, Table Drive	29-27356-01	3	1
Module, Turbo PrintServer 20 Controller	54-20830-01	1	Not Shown
Module, Turbo PrintServer 20 Controller (Not Shown)	54-20830-02	1	2
Mother Board	29-27361-01	5	3
Motor Assembly, Cassette	G0043200	10	1
Motor Assembly, Feed	G6291410	15	6
Motor Assembly, Main	29-27376-01	8	3
Motor, Scanner	GC060001	9	2
Motor, Table Feed	G6291223	17	2

INDEX BY DEC PART DESCRIPTION
PrintServer 20/Turbo PrintServer 20 Systems

DESCRIPTION	DEC PART NO.	FIG. NO.	ITEM NO.
OPTICAL ASSEMBLY	29-27384-01	9	N/A
Optical Unit	29-27384-01	2	1
Panel Assembly, Operation	29-27359-01	4	9
Panel, Operation	G6305250	16	4
PAPER FEED ASSEMBLY	N/A	10	N/A
Paper Feed Unit	G0043005	2	6
Pawl Assembly, Separation	29-27383-01	12	2
PCB Assembly, Paper Feed	G0045400	10	4
PCB RACK ASSEMBLY	N/A	5	N/A
Photointerruptor	A0095520	11	1
Photointerruptor	29-27397-01	10	6
Photointerruptor EE-SX460-P2	AW020006	6	10
Photointerruptor EE-SX460-P2	29-27733-01	7	2
Photoreflector	GW010002	15	2
Photoreflector	GW010002	18	1
Photoreflector	GW010001	10	5
Photosensor w/Actuator	GW020003	15	1
Pivot, Left Cover	G0041638	4	7
Power Pack	29-27364-01	6	5
Power Supply Unit (100V)	29-27404-01	2	5
Power Supply Unit (200V)	29-27405-01	2	5
Print Engine, Laser 20 PPM (120V)	30-29519-01	1	1
Print Engine, Laser 20 PPM (240V)	30-29519-02	1	1
PrintServer 20/Turbo PrintServer 20 System	N/A	1	N/A
Pulley 21 Tooth	29-27379-01	8	6
Pulley, 32T	29-27380-01	7	5
Pulley, Exit Drive	GB017011	8	8
Quenching LED Unit	GD050001	2	4
Rails, Side	29-28992-01	2	18
Receptacle Assembly, T/S Charger	G0043480	6	1
Receptacle, Main Charger	GD021008	6	9
Registration Roller Unit	29-27355-01	2	8
Ring, Retaining M6 (100 pcs/1 Set)	07200060E	10	8
Ring, Retaining M6 (100 pcs/1 Set)	07200060E	7	9
Ring, Snap	54472681	2	10
Roller, Feed	29-25102-01	17	8
Roller, Feed	29-25102-01	10	12
Roller, Feed	29-25102-00	1	Not Shown
Roller, Feed	29-25102-00	1	Not Shown
Roller, Pick-Up	29-25103-01	17	7
Roller, Pick-Up	29-25103-01	10	11
Roller, Pick-up	29-25103-00	1	Not Shown
Roller, Pick-up	29-25103-00	1	Not Shown
Roller, Separation	29-27933-01	17	9
Roller, Separation	29-27933-01	10	13
Roller, Separation	29-27933-01	1	Not Shown
Roller, Separation	29-27933-01	1	Not Shown
Screw, Phi Pan Hd M3X3 (100 pcs/1 Set)	08011135	12	6
Screw, Phi Pan Hd M3X30 (100 pcs/1 Set)	03130300B	6	16
Screw, Phi Pan Hd M3X4 (100 pcs/1 Set)	03130040B	16	8
Screw, Phi Pan Hd M3X5 (100 pcs/1 Set)	03130050B	11	7
Screw, Phi Pan Hd M3X5 (100 pcs/1 Set)	03130050B	12	4

INDEX BY DEC PART DESCRIPTION
PrintServer 20/Turbo PrintServer 20 Systems

DESCRIPTION	DEC PART NO.	FIG. NO.	ITEM NO.
Screw, Phi Pan Hd M3X5 (100 pcs/1 Set)	03130050B	3	6
Screw, Phi Pan Hd M3X5 (100 pcs/1 Set)	03130050B	9	4
Screw, Phi Pan Hd M3X5 (100 pcs/1 Set)	03130050B	4	22
Screw, Phi Pan Hd M3X8 (100 pcs/1 Set)	03130080B	18	2
Screw, Phi Pan Hd M3X8 (100 pcs/1 Set)	03130080B	15	8
Screw, Phi Pan Hd M4X10 (100 pcs/1 Set)	03140100B	10	10
Screw, Phi Pan Hd M4X10 (100 pcs/1 Set)	03140100B	11	5
Screw, Phi Pan Hd M4X10 (100 pcs/1 Set)	03140100B	9	5
Screw, Phi Pan Hd M4X10 (100 pcs/1 Set)	03440100F	4	20
Screw, Phi Pan Hd M4X4 (100 pcs/1 Set)	03140040B	16	7
Screw, Phi Pan Hd M4X4 (100 pcs/1 Set)	03140040W	6	17
Screw, Phi Pan Hd M4X6 (100 pcs/1 Set)	03140060B	17	6
Screw, Phi Pan Hd M4X6 (100 pcs/1 Set)	03140060B	15	9
Screw, Phi Pan Hd M4X6 (100 pcs/1 Set)	03140060B	14	8
Screw, Phi Pan Hd M4X6 (100 pcs/1 Set)	03140060B	11	6
Screw, Phi Pan Hd M4X6 (100 pcs/1 Set)	03140060B	10	7
Screw, Phi Pan Hd M4X6 (100 pcs/1 Set)	03140060B	12	5
Screw, Phi Pan Hd M4X6 (100 pcs/1 Set)	03140060B	7	8
Screw, Phi Pan Hd M4X6 (100 pcs/1 Set)	03140060B	6	14
Screw, Phi Pan Hd M4X6 (100 pcs/1 Set)	03140060B	3	5
Screw, Phi Pan Hd M4X6 (100 pcs/1 Set)	03140060B	5	6
Screw, Phi Pan Hd M4X6 (100 pcs/1 Set)	03140060B	4	21
Screw, Phi Pan Hd M4X6 (100 pcs/1 Set)	03140060B	8	13
Screw, Phi Pan Hd M6X8 (100 pcs/1 Set)	03150080B	8	10
Screw, Phi Sunk M3X6 (100 pcs/1 Set)	03230060B	10	9
Screw, Phi Truss Hd M4X6 (100 pcs/1 Set)	03440060F	14	9
Screw, Phi Truss Hd M4X8 (100 pcs/1 Set)	03440080F	16	6
Screw, Phi w/Flat Washer Hd M4X8 (100 pcs/1 Set)	09514008B	2	12
Screw, Phi w/Lock Washer Hd M4X4 (100 pcs/1 Set)	09534008M	2	11
Screw, Phi Washer Hd M4 (100 pcs/1 Set)	09514008B	6	15
Screw, Phi Washer Hd M4 (100 pcs/1 Set)	09514006B	4	19
Screw, Phi Washer Hd M4X8 (100 pcs/1 Set)	09514008B	7	7
Screw, Phi Washer Hd M4X8 (100 pcs/1 Set)	09514008B	5	5
Screw, Phi Washer Hd M4X8 (100 pcs/1 Set)	09514008B	3	7
Screw, Phi Washer Hd M4X8 (100 pcs/1 Set)	09514008B	4	23
Screw, Self Tap M4X10 (100 pcs/1 Set)	09654010B	4	18
Screw, Set M4X5 (100 pcs/1 Set)	05740050E	17	5
Screw, Set M4X5 (100 pcs/1 Set)	05740050E	7	10
Screw, Stepped	54003404	8	12
Screw, Washer Hd M3 (100 pcs/1 Set)	09513018B	9	6
Screw, Washer Hd M3X12 (100 pcs/1 Set)	09513012B	15	10
Screw, Washer Hd M3X12 (100 pcs/1 Set)	09513012B	17	4
Screw, Washer Hd M4X8 (100 pcs/1 Set)	09514008B	8	11
Sensor Assembly, Cleaning	29-27362-01	6	2
Sensor Assembly, Fusing Exit	29-27391-01	11	4
Sensor, OPC Drum	29-27365-01	6	6
Shaft, OPC Drum Drive	GD015001	7	6
Shield, Glass	G0042891	1	Not Shown
Shipaway Kit A	30-29519-04	1	1
Shipaway Kit A	30-29519-04	1	1
Shipaway Kit B	30-29519-05	1	1
Shipaway Kit B (Europe)	30-29519-06	1	1
Solenoid Assembly	G6274885	14	5

INDEX BY DEC PART DESCRIPTION
PrintServer 20/Turbo PrintServer 20 Systems

DESCRIPTION	DEC PART NO.	FIG. NO.	ITEM NO.
Solenoid Assembly, DPX	G6294899	15	3
Solenoid Assembly, Drum Separation Pawl	29-27401-01	6	11
Solenoid Assembly, Large Capacity Input Tray Feed	G6293050	17	3
Solenoid, G836-RL1	29-27390-01	11	3
Spring, Bin Gate	67693132	14	7
Spring, Exit Drive Tensioner	G0041480	8	9
Spring, Feeler	GA060010	7	4
Stay Assembly	G6274856	14	6
Switch, Fusing Interlock	G0045486	6	8
Switch, Left Cover Interlock	G6274906	14	4
Switch, Left Cover Interlock	29-27363-01	6	4
Switch, Toner Overflow	29-27369-01	4	16
T/S Charger Guide	G0043440	2	9
Table Feed Unit	29-27358-01	3	4
TABLE UNIT COMPONENT ASSEMBLY	N/A	3	N/A
Thermister and Fuse Assembly (120V)	29-27396-01	12	3
Thermister and Fuse Assembly (240V)	29-27485-01	12	3
Transport Unit	29-27386-01	2	3
TRAY ASSEMBLY, LARGE CAPACITY INPUT (F/S LPS2X-AF)	29-27399-01	16	N/A
Tray Assembly, Large Capacity Input (F/S LPS2X-AF)	29-27399-01	1	3
TRAY ASSEMBLY, LARGE CAPACITY OUTPUT	N/A	13	N/A
Tray Assembly, Large Capacity Output	29-27393-01	13	6
TRAY ASSEMBLY, LARGE CAPACITY OUTPUT #2	N/A	14	N/A
Tray, Bottom Plate	29-28857-01	16	10
Tray, Side Exit	G0041630	4	5
Tray, Upper Exit	29-27392-01	13	5