

# ILLUSTRATED PARTS BREAKDOWN

# PrintServer 40/40 Plus System

**ILLUSTRATED PARTS BREAKDOWN (IPB)**

The IPB is used to identify a part and its location in a hardware product. The document references specific item numbers in the associated parts list.

**HOW TO USE THE IPB**

1. Locate the figure containing the item of interest.
2. Locate the number (callout) of the item of interest.
3. Locate that item number in the associated parts list.

**FORMAT**

Each IPB is generally organized based on its first figure. All other assemblies and subassemblies are referenced from this figure. Each figure contains numeric callouts of all major parts (items).

**PARTS LIST**

Each parts list contains the following:

**Figure and Item No.** – Lists the figure number and its referenced numeric callout

**Description** – Presents the name and a brief description of the item. A single asterisk (\*) preceding the description denotes item is a

subassembly to its referenced figure. A double asterisk (\*\*) preceding the description indicates that this item is subordinate to the preceding single asterisk item.

**Digital Part No.** – Lists the Digital/Vendor part number. The letter in the column heading indicates the current revision level of the Engineering Drawing for the referenced figure.

**ECO Cut-In** – Lists the top assembly drawing number and revision level at first printing. All additional revisions to an item are listed in this column.

**Used On Code** – Lists letters referring to the product variation assigned in Figure 1. When this column is blank, the item is used in all variations.

**Ref Fig No.** – Lists a cross reference between figures within the IPB.

**PART NUMBER/PART DESCRIPTION INDEX SECTION**

Lists items by part number numerically, and description alphabetically. Items are also referenced to a location within the IPB by figure and item number.

**ECO/REVISION HISTORY**

**OTHER IPB  
MANUALS  
REFERENCED**

FIGURE NO.	ASSEMBLY	INITIAL LEVEL	CURRENT LEVEL	PRINTING DATE	OTHER IPB MANUALS REFERENCED
1-1A	LPS40	00000	00007	08-AUG-91 3rd Printing	EK-VT320-IP EK-LK201-IP
2-7	LCIT				
8-10	FDS				
11-23	Print Engine				
24	System Cab				
25	Power Supply				
26-26A	Controller				
27-30	MicroVAX				
27	70-22385	00002	00005		
28	70-21860	00004	00010		
29	70-22007	00001	00002		
30	70-19986	00001	00001		

Digital Equipment Corporation reserves the right, without notice, to make substitutions and modifications in the specifications of products documented in this manual and further reserves the right to withdraw any of these products from the market without notice.

Digital Equipment Corporation is not responsible for errors which may appear in the technical description (including illustrations and photographs) of the products covered by this manual.

None of the descriptions contained in this manual imply the granting of any license whatsoever to make, use or sell equipment constructed in accordance therewith.

Restricted Rights: Use, duplication or disclosure by the U.S. Government is subject to restrictions as set forth in subparagraph (c) (1) (ii) of the Rights in Technical Data and Computer Software clause at DFARS 252.227-2713.

Copyright © 1987, 1989, 1991 by Digital Equipment Corporation. All rights reserved.  
Printed in U.S.A.

The postage-paid READER'S COMMENTS form on the last page of this document requests your critical evaluation to assist us in preparing future documentation.

The following are trademarks of Digital Equipment Corporation :

---

CVAX, DELQA, DEC, DECdirect, DECUS, DEQNA, LK201, MicroVAX, PDP, PrintServer, Q-bus, UNIBUS, VAX, VT320 and the DIGITAL logo.

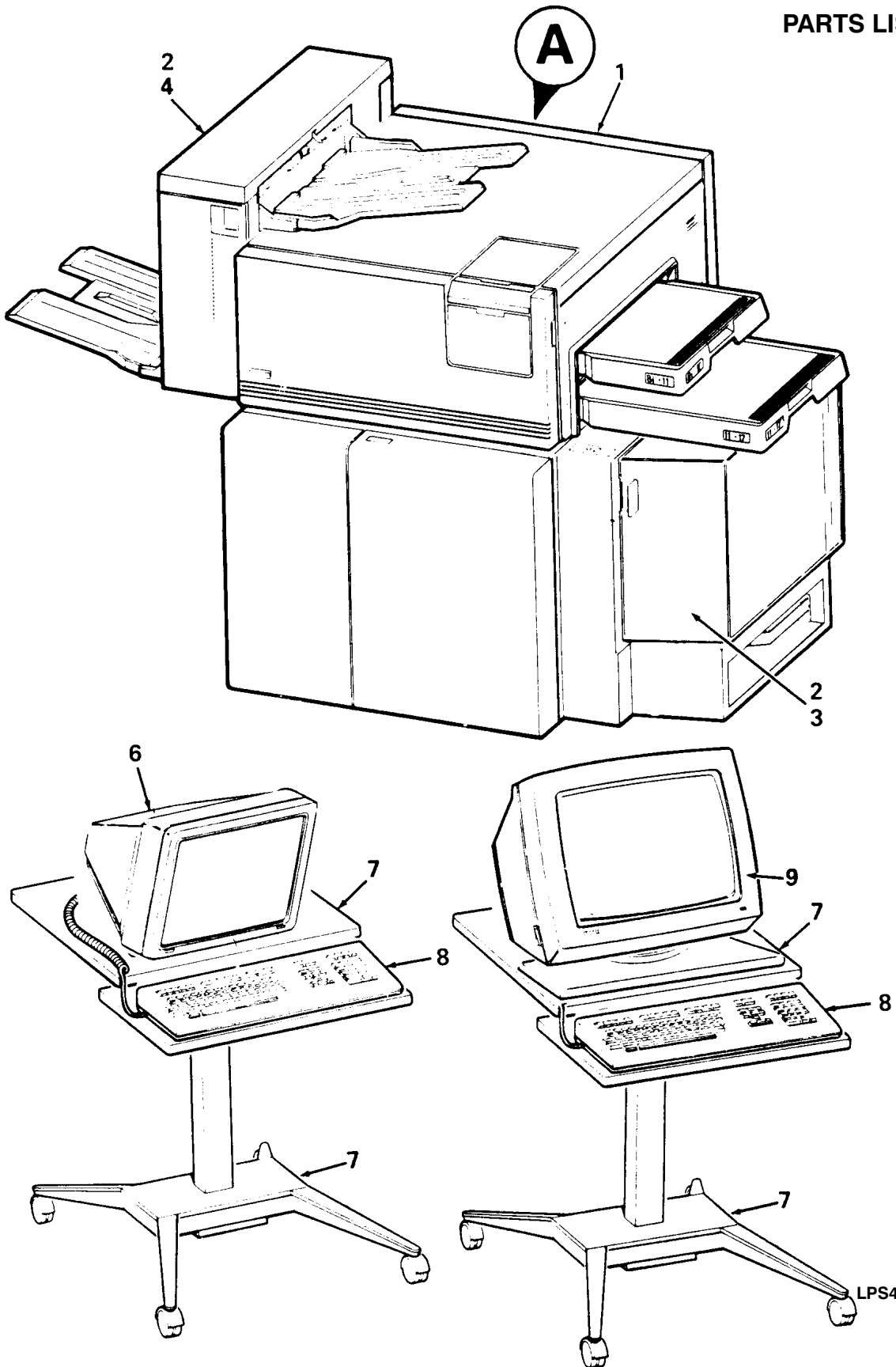
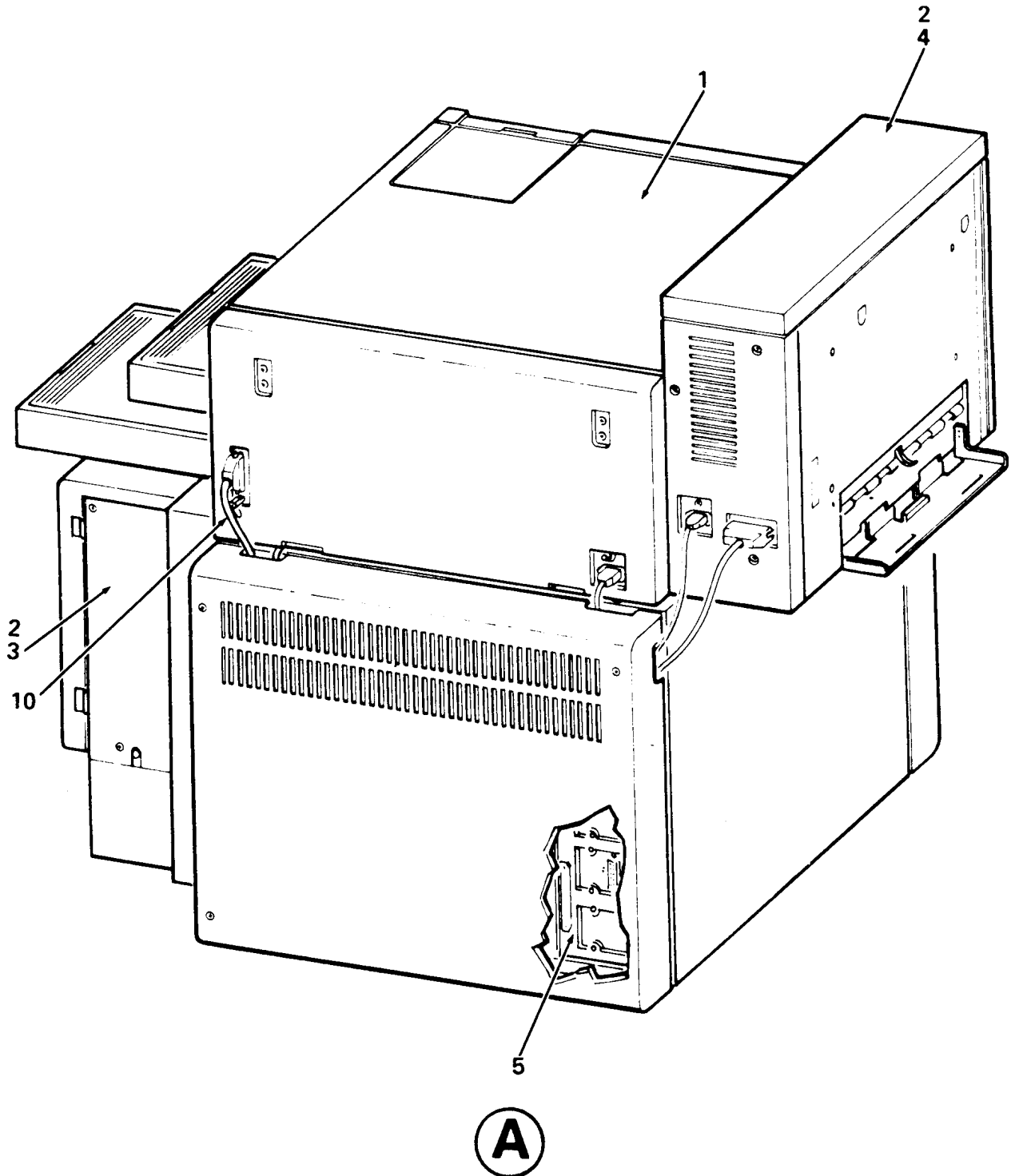


Figure 1. PrintServer 40 (Sheet 1 of 2)

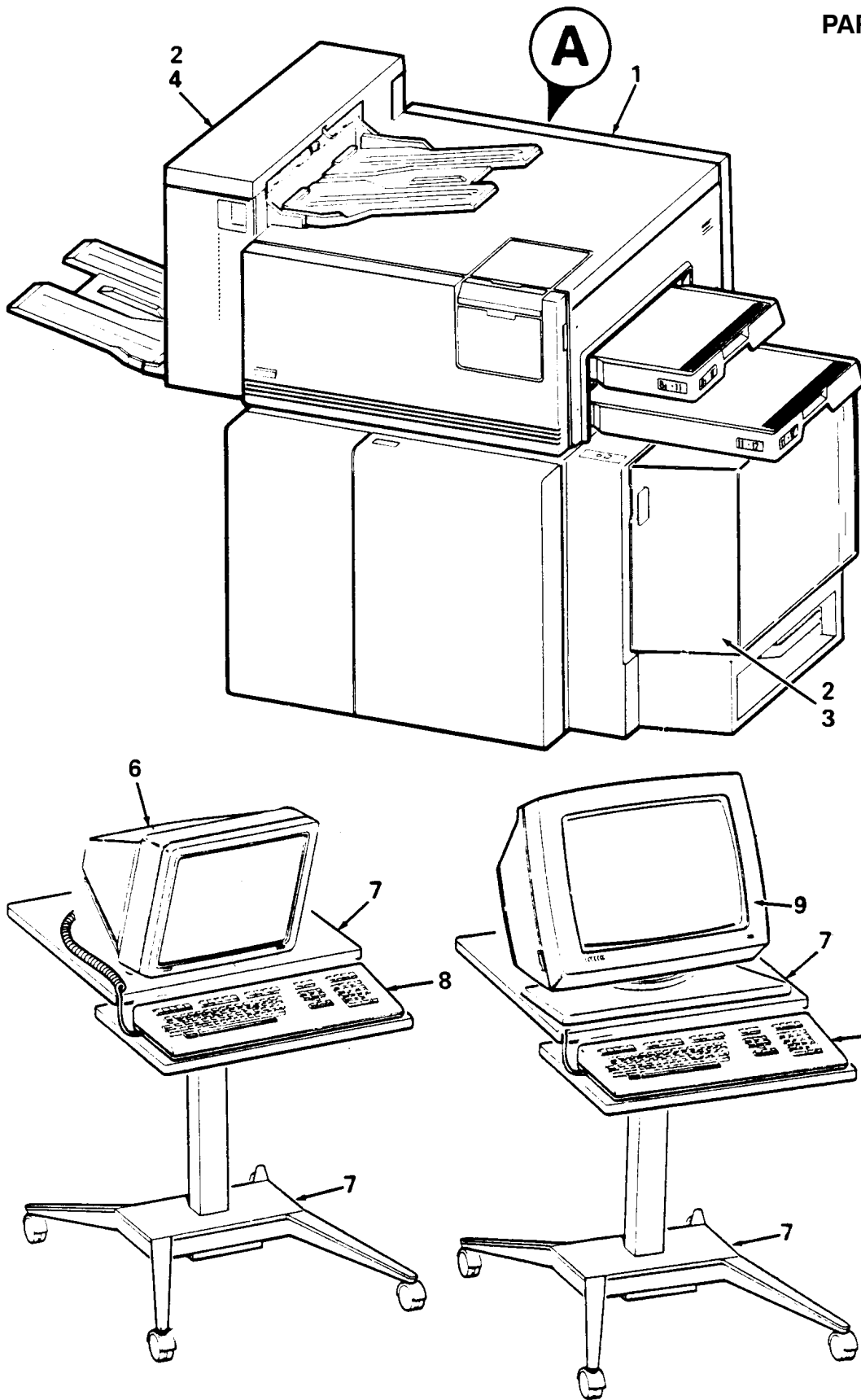


LPS40-01A-SC

Figure 1. PrintServer 40 (Sheet 2 of 2)

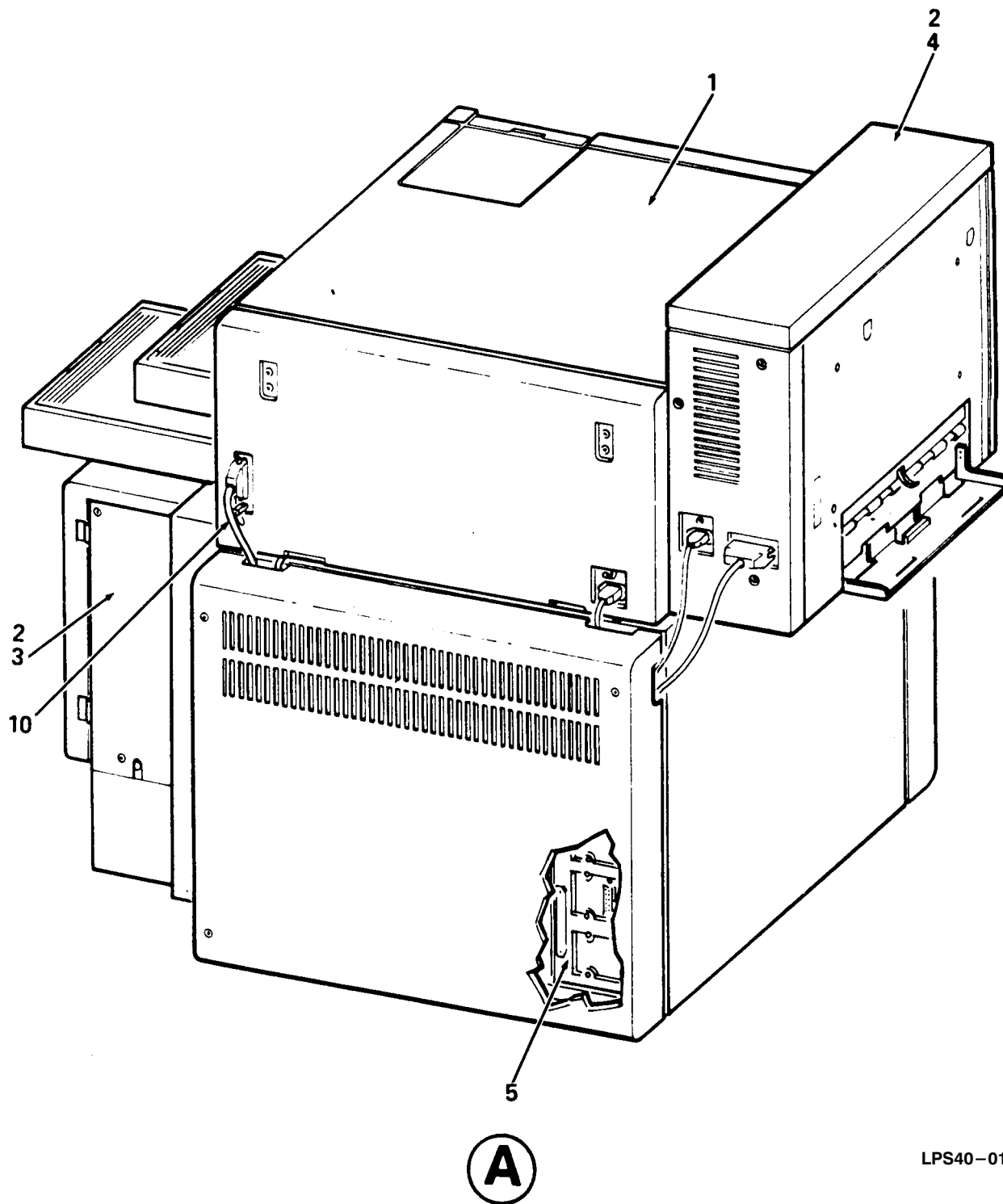
FIG. & ITEM NO.	DESCRIPTION	DEC PART NO. <sup>H</sup>	ECO CUT-IN LPS40 00000	USED ON CODE	REF FIG NO.
1-	PrintServer 40				
	Code A – Used on Model LPS40–A3 (Europe/International Version)	LPS40–A3		A	
	Code B – Used on Model LPS40–AA (U.S./Canada Version)	LPS40–AA		B	
	Code C – Used on Model LPS40–AJ (Japan/Kanji Version)	LPS40–AJ		C	
	Code D – Used on Model LPS40–EA (U.S./Canada Version)	LPS40–EA		D	
	Code E – Used on Model LPS40–E3 (International Version)	LPS40–E3		E	
	Code F – Used on Model LPS40–EJ (Japan/Kanji Version)	LPS40–EJ		F	
1	*ENGINE, LASER PRINT (See Note 1)	LN02–AA		BD	
	*ENGINE, LASER PRINT (See Note 1)	LN02–AB		ACEF	
2	*TRAY ASSEMBLY, LARGE CAPACITY , INPUT/STACKER FACE DOWN	LN02X–AA			
3	**Tray Assembly, Large Capacity Input (See Note 2)	30–25271–03			
4	**Stacker Assembly, Face Down (See Note 2A)	30–25271–04			
5	*CONTROLLER ASSEMBLY, LPS40 (See Note 3)	630QP–A3		ABDE	26
	*CONTROLLER ASSEMBLY, LPS40 Kanji (See Note 3)(added)	630QP–B3	00003	CF	26
6	*TERMINAL, VT320 VIDEO (w/White Phosphor) (240V)(See Note 4)	VT320–A3		BD	
	*TERMINAL, VT320 VIDEO (w/Amber Phosphor) (240V)(See Note 4)	VT320–C3		AE	
7	*Stand, VT Terminal (replaces 34–23503–01)	VT2XX–AA	00007		
8	*KEYBOARD ASSEMBLY, LK201–A (See Note 4A)	LK201–RE		ABED	
9	*TERMINAL, VT382 VIDEO (Monochrome) (Kanji Text, 240V)	VT382–FB		CF	
10	*Cable Assembly, (BC17H–05)	17–00677–05			
	<b>MISCELLANEOUS CORDS/CABLES (Not Shown)</b>				
	*Cable, Power (U.S.)	29–26285–00			
	*Cable, Power (Japan)	70–23341–07			
	*Cable, Power Video Terminal (U.S.)	29–26276–00			
	*Cable, Power Video Terminal (International)	29–26277–00			
	*Cable, Power MicroVAX (U.S.)	29–26282–00			
	*Cable, Power MicroVAX (International)	29–26278–00			
	*Cable, Power Print Engine (U.S.)	29–26269–00			
	*Cable, Power Print Engine (International)	29–26279–00			
	*Cord, Power Face Down Stacker (U.S.)	29–26281–00			





LPS40-01B-SC

Figure 1A. PrintServer 40 Plus (Sheet 1 of 2)



LPS40-01C-BD

Figure 1A. PrintServer 40 Plus (Sheet 2 of 2)



FIG. & ITEM NO.	DESCRIPTION	DEC PART NO. <sup>H</sup>	ECO CUT-IN LPS40 00005	USED ON CODE	REF FIG NO.
1A-	PrintServer 40 Plus				
	Code G – Used on Model LPS40-DA (U.S./Canada Version)	LPS40-DA		G	
	Code H – Used on Model LPS40-D3 (Europe/International Version)	LPS40-D3		H	
	Code J – Used on Model LPS40-DJ (Japan/Kanji Version)	LPS40-DJ		J	
	Code K – Used on Model LPS40-FA (U.S./Canada Version)	LPS40-FA		K	
	Code L – Used on Model LPS40-F3 (International Version)	LPS40-F3		L	
	Code M – Used on Model LPS40-FJ (Japan/Kanji Version)	LPS40-FJ		M	
1	*ENGINE, LASER PRINT (See Note 1)	LN02-AA		GK	
	*ENGINE, LASER PRINT (See Note 1)	LN02-AB		HJLM	
2	*TRAY ASSEMBLY, LARGE CAPACITY INPUT/STACKER FACE DOWN	LN02X-AA			
3	**Tray Assembly, Large Capacity Input (See Note 2)	30-25271-03			
4	**Stacker Assembly, Face Down (See Note 2A)	30-25271-04			
5	*CONTROLLER ASSEMBLY, LPS40 PLUS CVAX (See Note 3)	650QP-A3		GHKL	26A
	*CONTROLLER ASSEMBLY, LPS40 PLUS CVAX KANJI (See Note 3)	650QP-B3		JM	26A
6	*TERMINAL, VT320 VIDEO (W/White Phosphor) (240V)(See Note 4)	VT320-A3		GK	
	*TERMINAL, VT320 VIDEO (w/Amber Phosphor) (240V)(See Note 4)	VT320-C3		HL	
7	*Stand, System (replaces 34-23503-01)	VT2XX-AA	00007		
8	*KEYBOARD ASSEMBLY, LK201-A (See Note 4A)	LK201-RE		GHKL	
9	*TERMINAL, VT382 VIDEO (w/White Phosphor) (KANJI /240V)	VT382-FB		JM	
10	*Cable Assembly, (BC27H-05)	17-00677-05			
	Note 1: Refer to Figures 11 through 25 for Print Engine Assembly Parts Breakdown.				
	Note 2: Refer to Figures 2 through 7 for Large Capacity Input Tray Assy Parts Breakdown.				
	Note 2A. Refer to Figures 8 through 10 for Face Down Stacker Assembly Parts Breakdown.				
	Note 3: Refer to Figures 26A through 35 for LPS40plus Controller Assy Parts Breakdown.				
	Note 4: See IPB Manual EK-VT320-IP.				
	Note 4A: See IPB Manual EK-LK201-IP.				

FIG. & ITEM NO.	DESCRIPTION	DEC PART NO.	ECO CUT-IN	USED ON CODE	REF FIG NO.
1A-	ITEMS (Not Shown)				
	*KIT, LPS40 COUNTRY (U.S./English)	PS2K1-AA		GK	
	*KIT, LPS40 COUNTRY (Europe/International)	PS2K1-AB		HL	
	*KIT, LPS40 COUNTRY (Japanese/Kanji)	PS2K1-AJ		JM	
	**Paper, Xerographic (8.5 x 11, 20 LB.)	36-20926-04		GK	
	**Paper, Xerographic (8.5 x 14, 20 LB.)	36-20926-05		GK	
	**Paper, Xerographic (210 x 297MM, 20 LB.)	36-20926-06		HJLM	
	**Paper, Xerographic (11 x 17, 20 LB.)	36-20926-07		GK	
	**Paper, Xerographic (364 x 257MM, 20 LB.)	36-20926-11		HJLM	
	**Paper, Xerographic (135 x 257MM, 20 LB.)	36-20926-12		FJM	
	**Paper, Xerographic (297 x 420MM, 20 LB.)	36-20926-09		HJLM	
	**Documentation, Installation Guide	EK-LPS40-IN			
	**Documentation, Operators Reference Cards	EK-LPS40-RC			GHKL
	**Documentation, Operators Guide	EK-LPS40-OP			
	**Documentation, Operators Guide (Japan)	EK-LPS40-OG			FJM
	**Documentation, Operators Ref. Cards (Japan)	EK-LPS40-CA			FJM
	**Documentation, Read Me First (Japan)	EK-LPS40-RM			FJM
	**Label, Postcard FTZ	36-21232-19		HL	
	**Cord, Power (for Terminal 2.5 meters (6A)	17-00365-03	00007	HJLM	
	**Cord, Power (250V 20A)	2J-H078A-01	00007	FJM	
	MISCELLANEOUS PARTS (Not Shown)				
	*Cable, Power (U.S.)	29-26285-00			
	*Cable, Power Video Terminal (U.S.)	29-26276-00			
	*Cable, Power Video Terminal (International)	29-26277-00			
	*Cable, Power MicroVAX (U.S.)	29-26282-00			
	*Cable, Power MicroVAX (International)	29-26278-00			
	*Cable, Power Print Engine (U.S.)	29-26269-00			
	*Cable, Power Print Engine (International)	29-26279-00			
	*Cord, Power Face Down Stacker (U.S.)	29-26281-00			
	*Cord, Power Face Down Stacker (International)	29-26280-00			
	*Cord, Power Large Capacity Input Tray	29-26270-00			
	*Cable, I/F Print Engine	29-26283-00			
	*Cable, I/F Face Down Stacker	29-26284-00			
	*Cable, I/F Large Capacity Input Tray	29-26271-00			
	*Cord, Power (for Terminal 2.5 meters (6A)	17-00365-03		JM	
	*Cord, Power (250V 20A)	2J-H078A-01	00007	JM	
	*Wire Set, Main Corona	29-26267-00			
	*Wire Set, T. Corona	29-26268-00			

**LARGE CAPACITY  
INPUT TRAY** 

**THIS PAGE INTENTIONALLY LEFT BLANK**

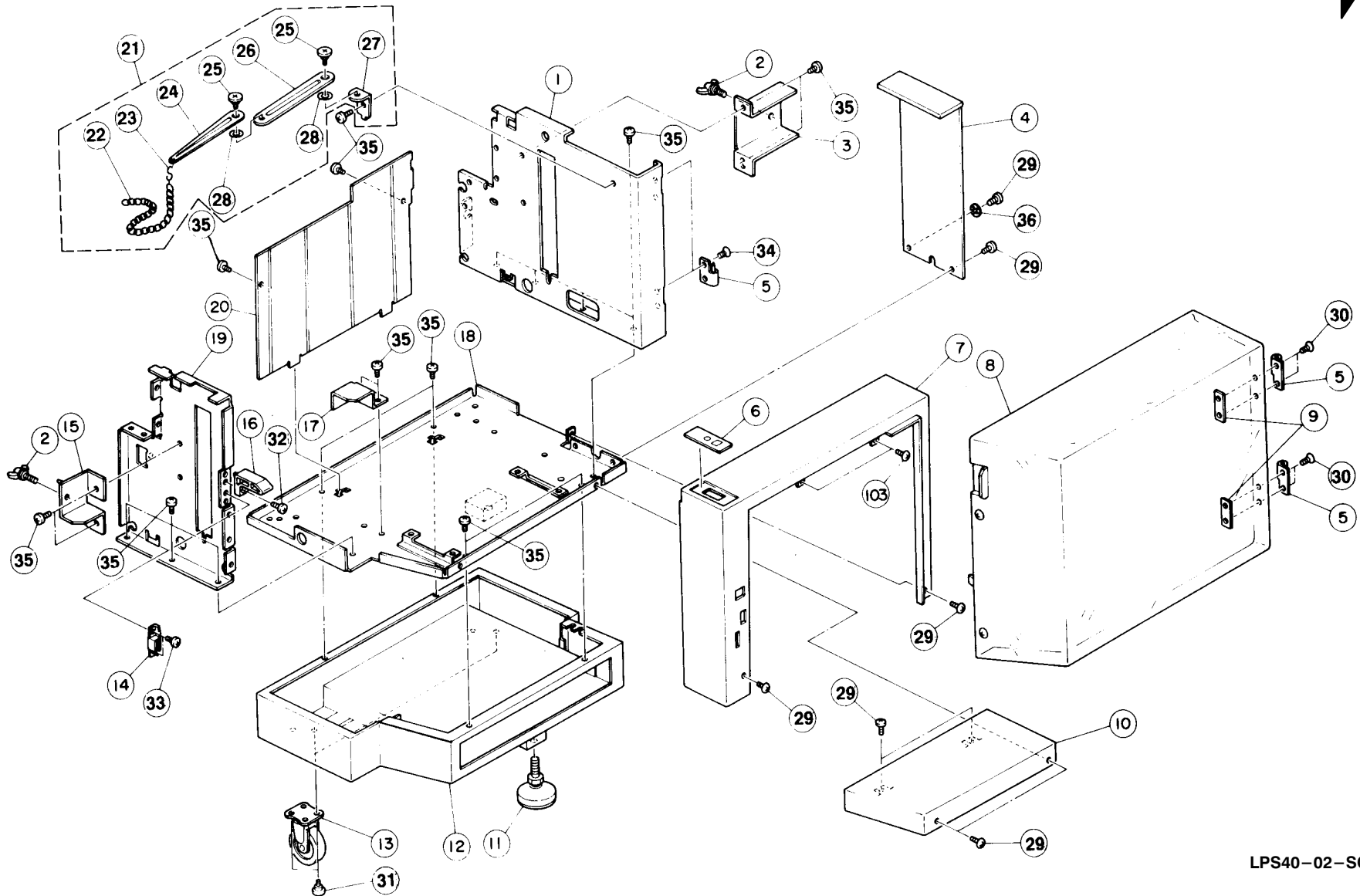


Figure 2. Tray Assembly, Large Capacity Input (Exterior)

LPS40-02-SC

FIG. & ITEM NO.	DESCRIPTION	DEC PART NO.	ECO CUT-IN	USED ON CODE	REF FIG NO.
2-	TRAY ASSEMBLY, LARGE CAPACITY INPUT (EXTERIOR)	N/A			1,1A
1	*Panel, Side Rear				
2	*Bolt, Wing (M4)				
3	*Bracket, Rear Support				
4	*Cover, Rear				
5	*Hinge, Door	See Note 1			
6	*Panel, Operation Display	29-27461-01			
7	*Cover, Top				
8	*Door	See Note 1			
9	*Plate, Hinge Nut	See Note 1			
10	*Cover, Bottom				
11	*Stand, Adjustable				
12	*Cabinet, Paper				
13	*Caster (M50 x 65)				
14	*Catch, Door Magnet	29-26308-00			
15	*Bracket, Front Support				
16	*Guide, Door	29-26309-00			
17	*Cover, Bottom Harness				
18	*Base, Bottom Plate				
19	*Panel, Front Side				
20	*Panel, Paper Guide				
21	*PAPER STOP ASSEMBLY	29-27905-01			
22	**Chain, Mechanical Stop				
23	**Hook				
24	**Arm, Mechanical Stop				
25	**Screw, Stepped	29-26093-00			
26	**Plate, Mechanical Stop				
27	**Bracket, Mechanical Stop				
28	**Washer, Wave (8MM)				
29	*Screw, Phi Truss Hd. (M4 x 6)				
30	*Screw, Phi Sunken Hd. (M3 x 10)	See Note 1			
31	*Screw, Phi w/Flat Washer (M4 x 6)	See Note 2			
32	*Screw, Phi Pan Hd. (M4x10)	See Note 2			
33	*Screw, Phi Pan Hd. (M4x6)	See Note 2			
34	*Screw, Phi Pan Hd. (M3 x 5)				
35	*Screw, Phi Pan Hd. (M4 x 6)	See Note 2			
36	*Washer, Toothed (M4)				
	Note 1: Part of Door Kit (LCIT) No. 29-26602-00.				
	Note 2: Part of Miscellaneous Hardware Kit, No. 29-26052-00 - All items, 10 per kit.				

PARTS LIST

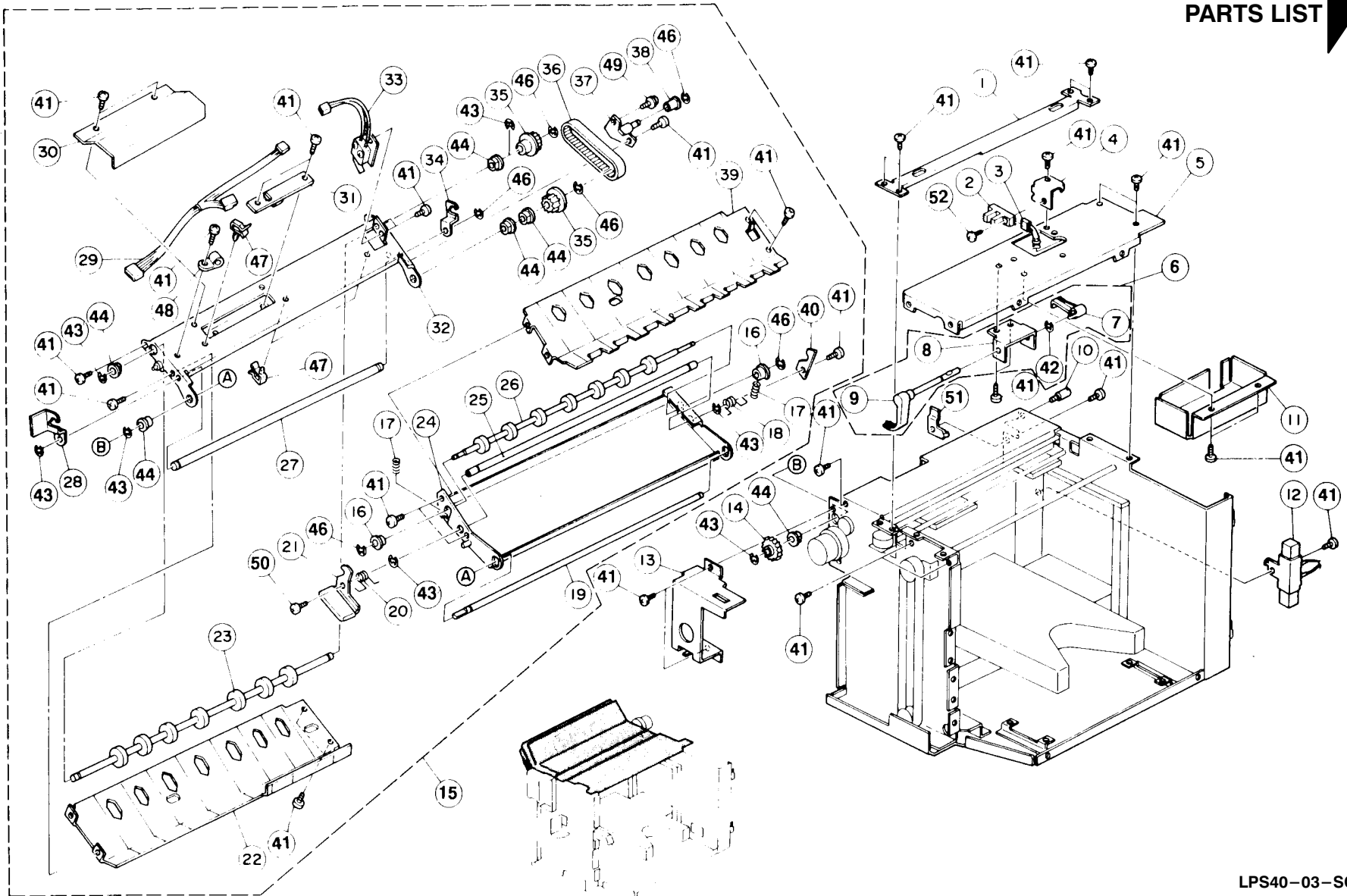


Figure 3. Tray/Paper Relay Assembly, Large Capacity input

FIG. & ITEM NO.	DESCRIPTION	DEC PART NO.	ECO CUT-IN	USED ON CODE	REF FIG NO.
3-	TRAY/PAPER RELAY ASSEMBLY, LARGE CAPACITY INPUT	N/A			1,1A
1	*Rail, Upper Adjustable				
2	*Sensor, LED Type-T	29-26339-00			
3	*Harness, Paper End				
4	*Bracket, Paper End Sensor				
5	*Stay, Paper End				
6	*BRACKET ASSEMBLY, SENSOR (LN02)	29-26612-00			
7	**Shutter, Stackover Sensor	29-26045-00			
8	**Bracket, Paper End				
9	**Arm, Paper End Feeler				
10	*Screw, Steps				
11	*Cover, Paper End				
12	*Resistor, Elevator Motor	29-26301-00			
13	*Cover, Relay Gear				
14	*Gear, 31T	See Note 1			
15	*TRANSPORT ASSEMBLY (LN02)	29-26606-00			
16	**Bushing, Upper Registration Roller	See Note 2			
17	**Spring, Relay Roller	See Note 2			
18	**Spring, Rear Relay Lock Lever	See Note 2			
19	**Shaft, Relay	See Note 2			
20	**Spring, Front Relay Lock Lever	See Note 2			
21	**Lever, Front Relay Lock	See Note 2			
22	**Guide, Upper Relay Paper	See Note 2			
23	**Roller, Upper Relay	See Note 2			
24	**Stay, Lower Relay Paper	See Note 2			
25	**Shaft, Relay Lock Lever	See Note 2			
26	**Roller, Lower Relay (See Note 2)	29-27207-01			
27	**Shaft, Slant	See Note 2			
28	**Holder, Front Slant	See Note 2			
29	**Cable, Relay	29-26302-00			
30	**Cover, Relay Sensor	See Note 2			
31	**Detector, Paper	29-26312-00			
32	**Stay, Upper Relay Paper	See Note 2			
33	**Sensor, Relay	29-26313-00			
34	**Holder, Rear Slant	29-26303-00			
35	**Pulley, Relay	See Note 2			
36	**Belt, Timing	29-25905-00			
37	**Tightener, Relay	See Note 2			
38	**Tightener, Roller	See Note 2			
39	**Guide, Lower Relay Paper	See Note 2			
40	**Lever, Rear Relay Lock	See Note 2			



FIG. & ITEM NO.	DESCRIPTION	DEC PART NO.	ECO CUT-IN	USED ON CODE	REF FIG NO.
3-	<p>41 *Screw, Phi Pan Hd. (M4 x 10)</p> <p>42 *Ring, Retaining (M3)</p> <p>43 *Ring, Retaining (M6)</p> <p>44 *Bushing (8MM)</p> <p>45 *Screw, Phi Hd. w/Flat Washer (M4 x 6)</p> <p>46 *Ring, Retaining (M4)</p> <p>47 *Clamp, Cable</p> <p>48 *Clip, Nylon (3N)</p> <p>49 *Screw, Shoulder (M4)</p> <p>50 *Screw, Phi Pan Hd w/Flat Washer (M3 x 6)</p> <p>51 *Bracket, Relay Roller</p> <p>52 *Screw, Phi Pan Hd (M4 x 10)</p> <p><b>Note 1: Part of Gear Kit 29-26603-00.</b></p> <p><b>Note 2: Part of Transport Assembly 29-26606-00.</b></p> <p><b>Note 3: Part of Miscellaneous Hardware Kit No. 29-26052-00 All items, 10 per kit.</b></p> <p><b>Note 4: Part of Retaining Rings &amp; Clips Kit No. 29-25883-00 All items, 5 per kit.</b></p>	<p>See Note 3</p> <p>See Note 4</p> <p>See Note 4</p> <p>See Note 2</p> <p>See Note 3</p> <p>See Note 4</p> <p>See Note 2</p> <p>See Note 4</p> <p>See Note 3</p> <p>See Note 3</p>			

THIS PAGE INTENTIONALLY LEFT BLANK

PARTS LIST

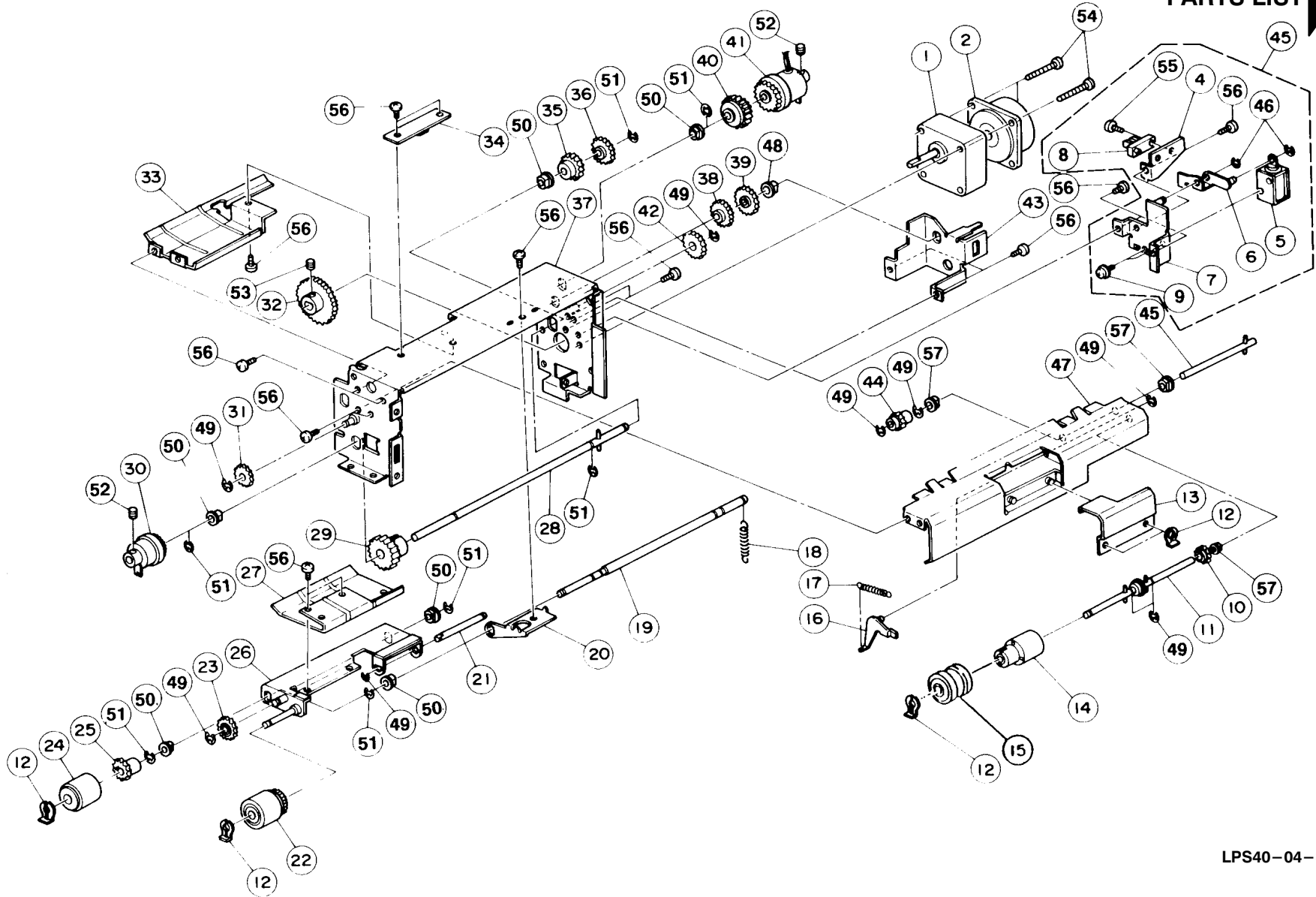


Figure 4. Tray/Paper Feed Assembly, Large Capacity Input

LPS40-04-SC

FIG. & ITEM NO.	DESCRIPTION	DEC PART NO.	ECO CUT-IN	USED ON CODE	REF FIG NO.
4-	TRAY/PAPER FEED ASSEMBLY, LARGE CAPACITY INPUT	N/A			1,1A
1	*Gear Head, Paper Drive Motor	See Note 1			
2	*Motor, Paper Drive	29-25902-00			
3	*SOLENOID ASSEMBLY, FEED (LN02)	29-26613-00			
4	**Bracket, Height Sensor				
5	**Solenoid, Feed LCIT	29-25907-00			
6	**Actuator, Height Sensor	29-27208-01			
7	**Bracket, Pick-Up Solenoid				
8	**Sensor, LED Type-T	29-26339-00			
9	*Screw, Phl Pan Hd (M3 x5 )				
10	*Gear, 18T, Separator	See Note 2			
11	*Shaft, Separation Roller				
12	*Ring, Snap	See Note 3			
13	*Guide, Separator				
14	*Limiter, Torque				
15	*Roller, Separator	See Note 4			
16	*Arm, Roller Separator	See Note 4			
17	*Spring, Pressure	See Note 5			
18	*Spring, Pick-Up	See Note 5			
19	*Shaft, Feed				
20	*Bracket, Feed				
21	*Shaft, Pressure Pick-Up				
22	*Roller, Pre-Feed (See Note 4)	29-25103-00			
23	*Gear, 19T, Feed	See Note 2			
24	*Roller, Feed (See Note 4)	29-25102-00			
25	*Gear, 18T, Feed	See Note 2			
26	*Arm, Paper Feed				
27	*Guide, Feed Shaft				
28	*Shaft, Lower Clutch				
29	*Gear, 32T, Feed	See Note 2			
30	*Clutch, Lower Feed (Trans Mag)	29-25904-00			
31	*Gear, 26T, Front Feed	See Note 2			
32	*Gear, 43T, Feed	See Note 2			
33	*Guide, Upper Paper				
34	*Detector, Paper	29-26312-00			
35	*Gear, 29T, Lower Internal	See Note 2			

FIG. & ITEM NO.	DESCRIPTION	DEC PART NO.	ECO CUT-IN	USED ON CODE	REF FIG NO.
4-					
36	*Gear, 29T, Lower External	See Note 2			
37	*Frame, Paper Feed				
38	*Gear, 29T, Upper Internal	See Note 2			
39	*Gear, 29T, Upper External	See Note 2			
40	*Gear, 24T, Feed	See Note 2			
41	*Clutch, Upper Feed	29-25903-00			
42	*Gear, 26T, Rear Feed	See Note 2			
43	*Cover, Paper Feed Gear	29-27209-01			
44	*Gear, 18T, Interior Separator	See Note 2			
45	*Shaft, Paper Separator	29-27206-01			
46	*Ring, Retaining (M5)	See Note 3			
47	*Holder, Separator Guide				
48	*Clutch, (6MM) Oneway	29-27210-01			
49	*Ring, Retaining (M4)	See Note 3			
50	*Bushing (8MM)				
51	*Ring, Retaining (M6)	See Note 3			
52	*Screw, Hex Headless Set (M4 x 4)	See Note 6			
53	*Screw, Hex Headless Set (M5 x 6)				
54	*Screw, Phi Pan Hd. (M5 x 40)	See Note 1			
55	*Screw, Phi Pan Hd. (M4 x 10)	See Note 6			
56	*Screw, Phi Pan Hd. (M4 x 6)	See Note 6			
57	*Bushing (6MM)				
	<p>Note 1: Part of Paper Drive Motor Kit, No. 29-26614-00.</p> <p>Note 2: Part of Gear Kit, No. 29-26603-00.</p> <p>Note 3: Part of Retaining Rings and Clips Kit, No. 29-25883-00 - All items, 5 per kit.</p> <p>Note 4: Part of Feed Roller Kit, No. 29-25837-00.</p> <p>Note 5: Part of Spring Kit, No. 29-25882-00 - All items, 3 per kit.</p> <p>Note 6: Part of Miscellaneous Hardware Kit, No. 29-26052-00 - All items, 10 per kit.</p>				

THIS PAGE INTENTIONALLY LEFT BLANK

PARTS LIST

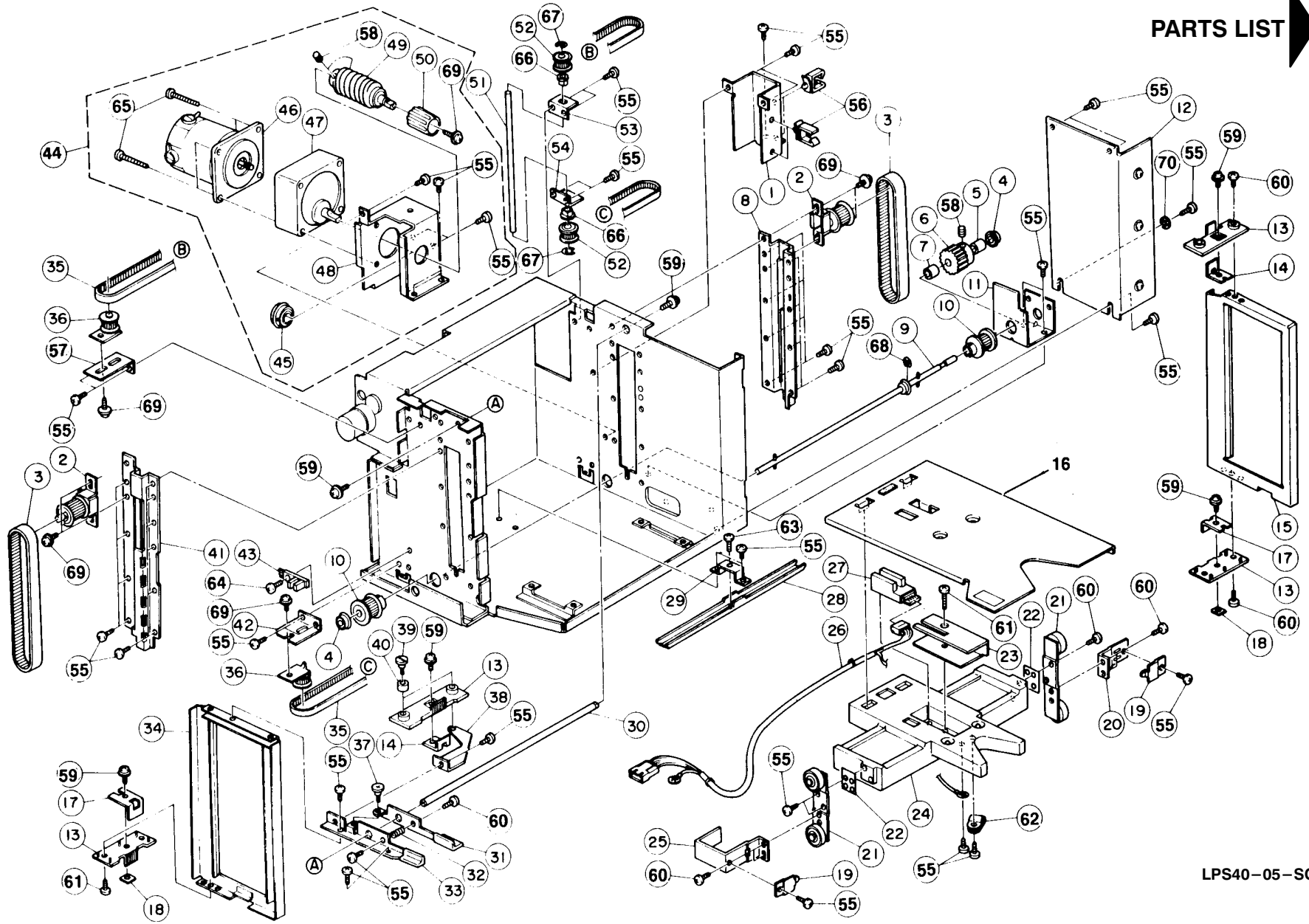


Figure 5. Tray/Drive Assembly, Large Capacity Input

FIG. & ITEM NO.	DESCRIPTION	DEC PART NO.	ECO CUT-IN	USED ON CODE	REF FIG NO.
5-	TRAY/DRIVE ASSEMBLY, LARGE CAPACITY INPUT	N/A			1,1A
1	*Cover, Rear Elevator Belt				
2	*Pulley Assembly, Upper Elevator	29-26305-00			
3	*Belt, Timing	29-25908-00			
4	*Bearing, Ball (8x16x5MM)	29-27615-01			
5	*Shaft, Long Elevator Collar				
6	*Wheel, Elevator Worm	29-26304-00			
7	*Shaft, Short Elevator Collar				
8	*Rail, Rear Elevator				
9	*Shaft, Elevator				
10	*Pulley, Lower Elevator	29-26291-00			
11	*Holder, Elevator Shaft				
12	*Power Supply Unit, LCIT	29-25899-00			
13	*Bracket, Adjustable Frame	See Note 1			
14	*Holder, Upper Adjustable Belt	See Note 1			
15	*Frame, Rear Adjustable				
16	*Plate, Letter Paper *Plate, Legal Paper				
17	*Holder, Lower Adjustable Belt	See Note 1			
18	*Nut, Adjustable Plate	See Note 1			
19	*Holder, Elevator Belt				
20	*Bracket, Rear Elevator Belt				
21	*Roller, Elevator (See Note 1)	29-27212-01			
22	*Spacer, Side Elevator				
23	*Cover, Paper Sensor				
24	*Base, Elevator				
25	*Bracket, Front Elevator Belt				
26	*Harness, Front Paper Relay	29-26292-00			
27	*Pack, Photo-Interrupter	29-25845-00			
28	*Rail, Lower Adjustable				
29	*Bracket, Adjustable Rail				
30	*Shaft, Adjustable Paper				
31	*Lever, Right Adjustable Latch	See Note 2			
32	*Spring, Adjustable Latch Lever	See Note 2			
33	*Lever, Left Adjustable Latch	See Note 2			
34	*Frame, Adjustable				
35	*Belt, Timing	29-25906-00			
36	*Pulley, Adjustable Front	29-26293-00			
37	*Screw, Adjustable Latch Lever				
38	*Bracket, Adjustable Latch Lever Elbow				
39	*Screw, Adjustable Bracket Roller Frame				



FIG. & ITEM NO.	DESCRIPTION	DEC PART NO.	ECO CUT-IN	USED ON CODE	REF FIG NO.
5-					
40	*Roller, Adjustable Bracket Frame				
41	*Rail, Front Elevator				
42	*Bracket, Adjustable Lower Front Pulley				
43	*Sensor, LED Type-T	29-26339-01			
44	*ELEVATOR MOTOR ASSEMBLY (LN02)	29-26605-00			
45	**Bearing, Ball (10x22x6MM)				
46	**Motor, Elevator	29-25900-00			
47	**Tray, Gear Head Motor	29-25901-00			
48	**Cover, Elevator Gear				
49	**Gear, Elevator Worm				
50	**Knob, Registration Roller				
51	*Shaft, Rear Adjustable Pulley				
52	*Pulley, Rear Adjustable				
53	*Bracket, Upper Rear Adjustable Pulley				
54	*Bracket, Lower Rear Adjustable Pulley				
55	*Screw, Phi Pan Hd. (M4x6)	See Note 3			
56	*Clamp, Harness (WS-2WS)				
57	*Bracket, Adjustable Upper Front Pulley				
58	*Screw, Hex Headless Set (M5x6)				
59	*Screw, Phi Hd. w/Flat Washer (M4x8)				
60	*Screw, Phi Pan Hd. (M4x8)	See Note 3			
61	*Screw, Phi Pan Hd. (M4x14)	See Note 3			
62	*Clip, Nylon (3N)	See Note 4			
63	*Screw, Phi Pan Hd. (M4x12)	See Note 3			
64	*Screw, Phi Pan Hd. (M4x10)	See Note 3			
65	*Screw, Phi Pan Hd. (M5x35)				
66	*Bushing, (6MM)				
67	*Ring, Retaining (M4)	See Note 4			
68	*Ring, Retaining (M6)	See Note 4			
69	*Screw, Phi Hd. w/Flat Washer (M4x6)				
70	*Washer, Inner Toothed (M4)				
	<p>Note 1: Part of Bracket Kit No. 29-26595-00.  Note 2: Part of Lever Kit No. 29-26596-00.  Note 3: Part of Miscellaneous Hardware Kit  No. 29-26052-00 All items, 10 per kit.  Note 4: Part of Retaining Rings &amp; Clips Kit  No. 29-25883-00 All items, 5 per kit.</p>				

THIS PAGE INTENTIONALLY LEFT BLANK

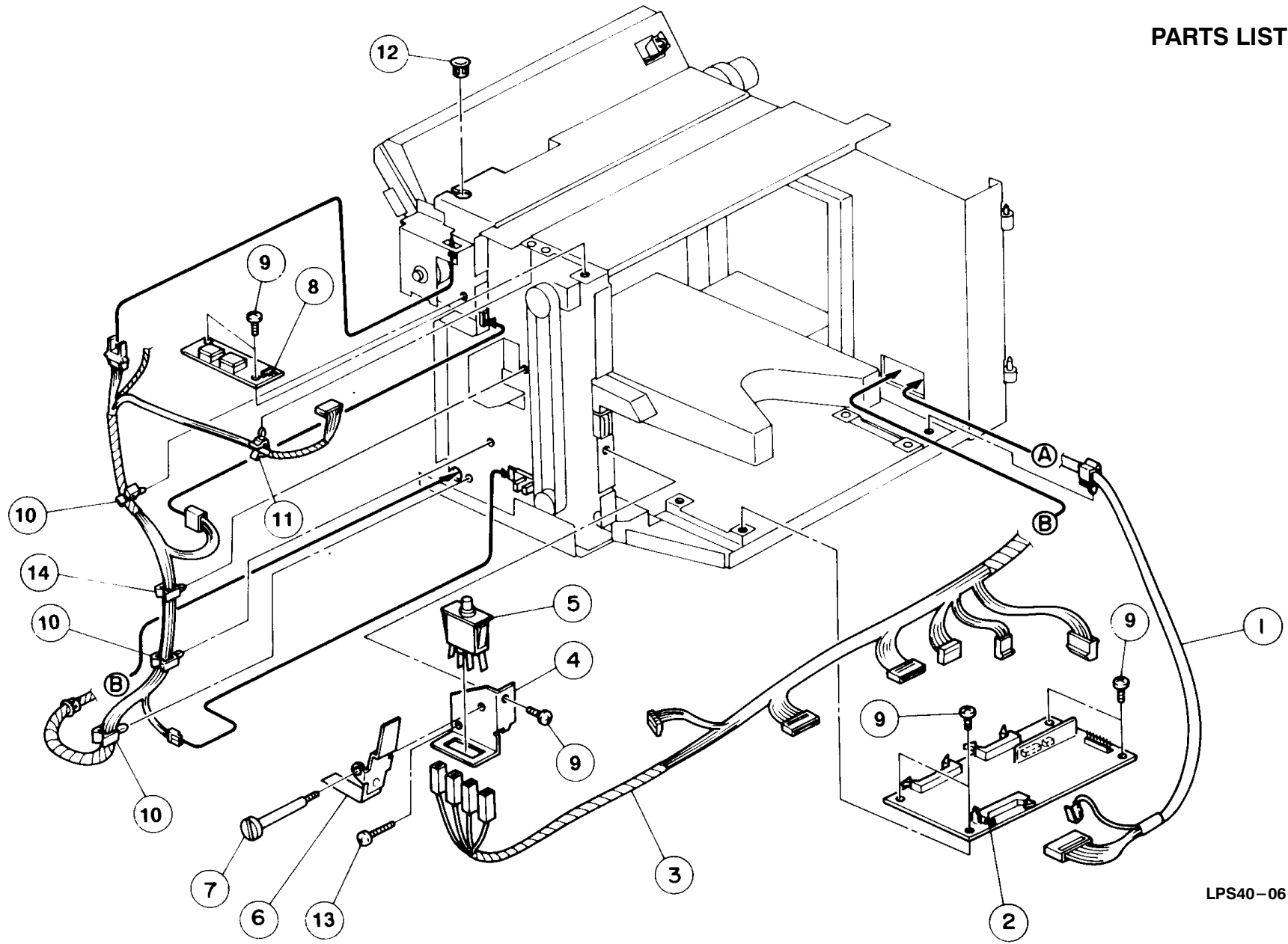


Figure 6. Harness Assembly, Large Capacity Input Tray Front

LPS40-06-SC

FIG. & ITEM NO.	DESCRIPTION	DEC PART NO.	ECO CUT-IN	USED ON CODE	REF FIG NO.
6-	HARNESS ASSEMBLY, LARGE CAPACITY INPUT TRAY FRONT	N/A			1,1A
1	*Cable, Interface	29-26271-00			
2	*Module, Sequence Controller	29-25898-00			
3	*Cable, PCB	29-26295-00			
4	*Bracket, Safety Sensor				
5	*Switch, Push AC	29-25865-00			
6	*Sensor, Safety	29-26296-00			
7	*Screw, Slot Hd. (M4)				
8	*Switch, Elevator	29-26306-00			
9	*Screw, Phi Pan Hd. (M4x6)	See Note 1			
10	*Clamp, Harness (WS-2NS)				
11	*Clamp				
12	*Bushing (7.9M)				
13	*Screw, Phi Pan Hd (M4.3 x 12)				
14	*Clip, Nylon (4N)				
	<p>Note 1: Part of Miscellaneous Hardware Kit, No. 29-26052-00 - All items, 10 per kit.</p>				

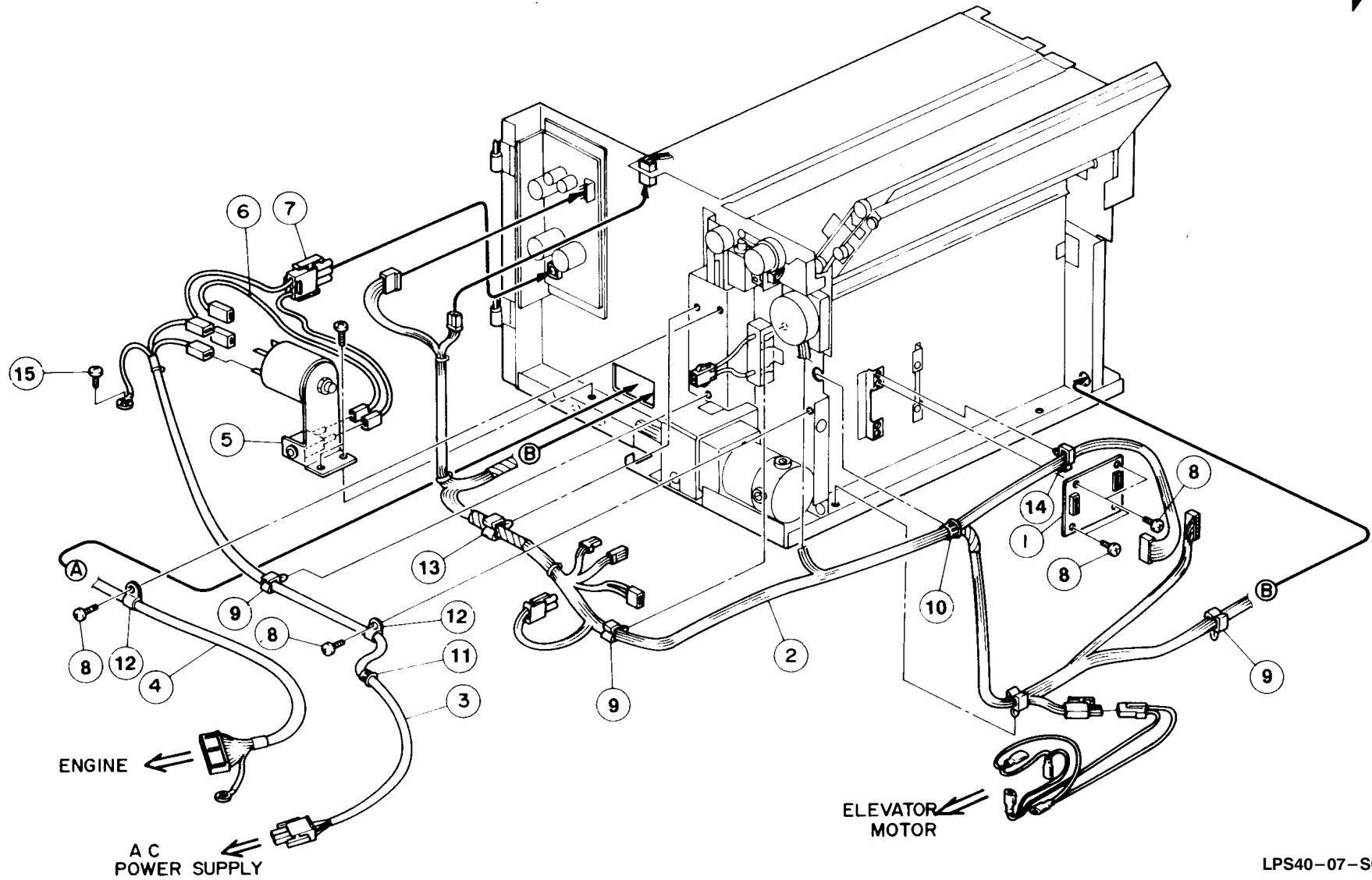


Figure 7. Harness Assembly, Large Capacity Input Tray Rear

LPS40-07-SC

FIG. & ITEM NO.	DESCRIPTION	DEC PART NO.	ECO CUT-IN	USED ON CODE	REF FIG NO.
7-	HARNESS ASSEMBLY, LARGE CAPACITY INPUT TRAY REAR	N/A			1,1A
1	*Module, Paper Drive Motor	29-26307-00			
2	*Cable, PCB				
3	*Cord, AC Power LCIT:PDU	29-26270-00			
4	*Cable, Interface	29-26271-00			
5	*Input Assembly, AC	29-26298-00			
6	*Cable, Breaker	29-26399-00			
7	*Cable, Power Supply Relay	29-26300-00			
8	*Screw, Phi Pan Hd. (M4x6)	See Note 1			
9	*Clamp, Harness (WS-2NS)				
10	*Bushing (13MM)				
11	*Bushing (7.9MM)				
12	*Clip, Nylon (7N)				
13	*Clamp, Harness (WS-1NSV)				
14	*Clamp, Harness (WS-2WS)				
15	*Screw, Phi Truss Hd (M4 x 8)				
	<p>Note 1: Part of Miscellaneous Hardware Kit, No. 29-26052-00 - All items, 10 per kit.</p>				

**FACE DOWN  
STACKER** 

**THIS PAGE INTENTIONALLY LEFT BLANK**



PARTS LIST

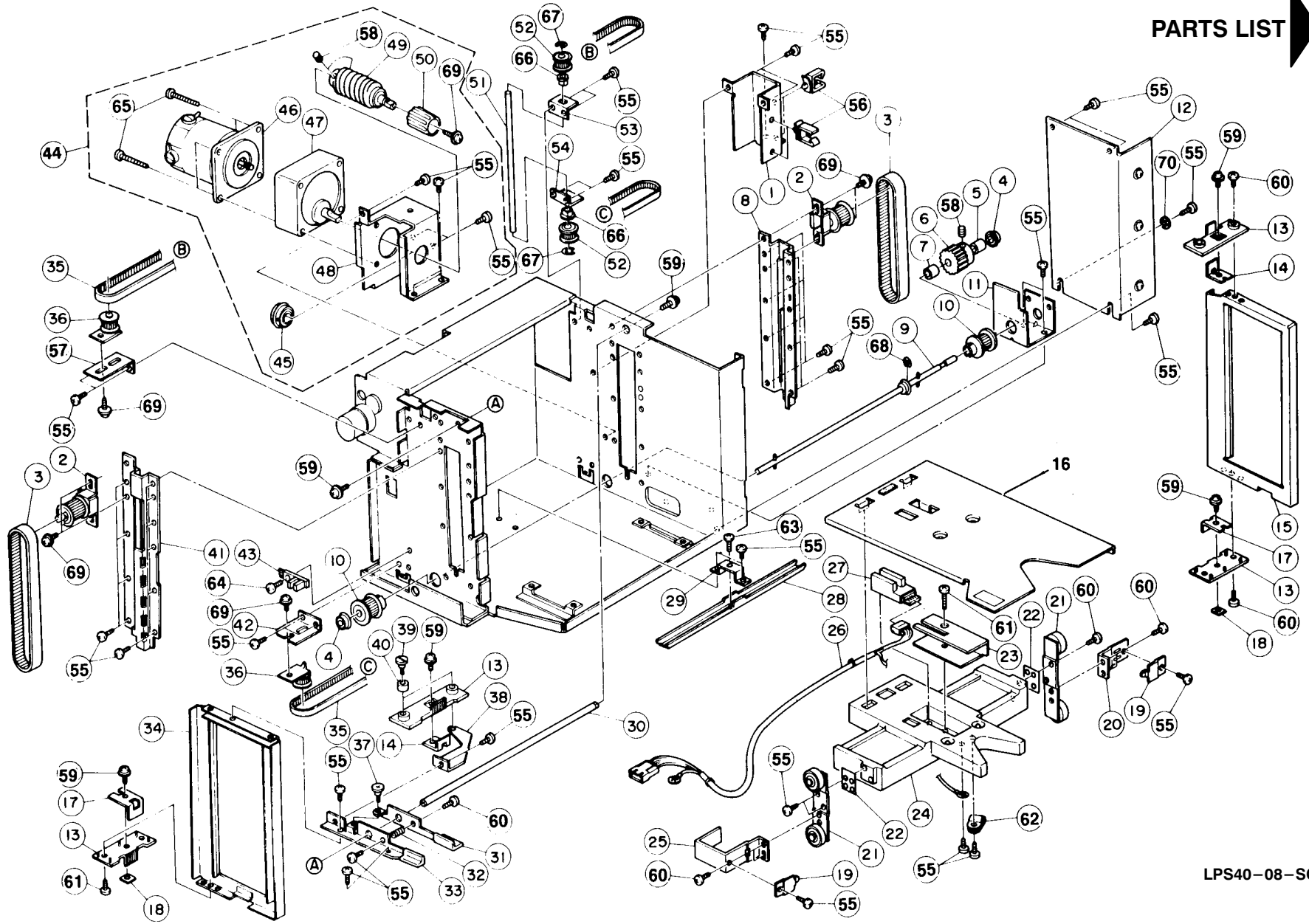


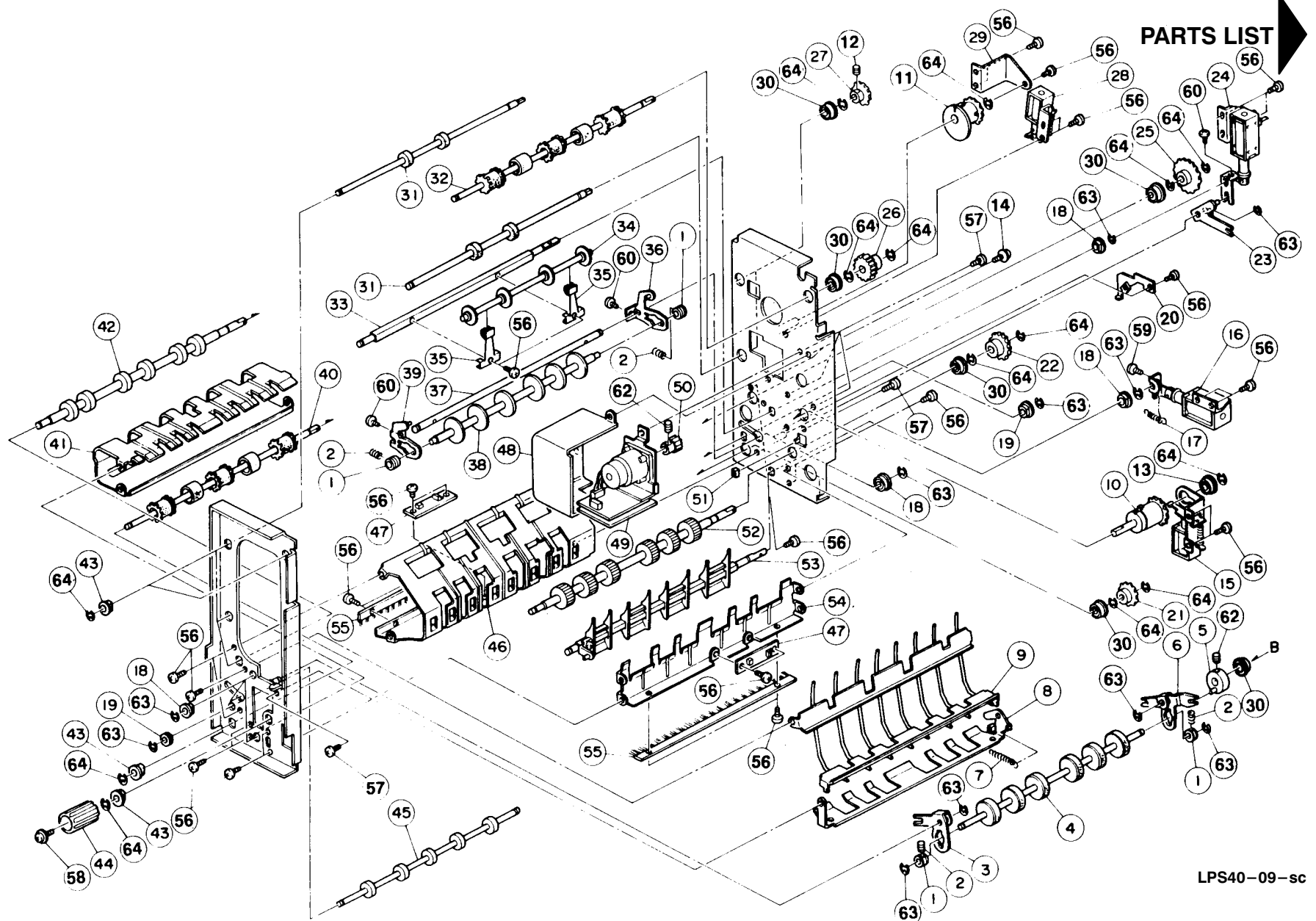
Figure 8. Electrical Components Assembly, Face Down Stacker Exterior

LPS40-08-SC

FIG. & ITEM NO.	DESCRIPTION	DEC PART NO.	ECO CUT-IN	USED ON CODE	REF FIG NO.
8-	ELECTRICAL COMPONENTS ASSEMBLY, FACE DOWN STACKER EXTERIOR (FDS)	N/A			1,1A
1	*Tray, Upper Bracket Paper Exit				
2	*Tray, Paper Exit	29-26018-00			
3	*Harness, AC Main (FDS)	29-26332-00			
4	*Transformer (FDS)	29-25894-00			
5	*Bracket, AC Power Supply				
6	*Filter Assembly, Noise	29-26333-00			
7	*Stud, Rear Cover				
8	*Cover, Rear	29-26334-00			
9	*Module, Interface	29-26335-00			
10	*Stud, Rear Cover				
11	*Module, Main Control (LN02)	29-25891-00			
12	*Bracket, Main Control Board				
13	*Harness, Solenoid	29-26336-00			
14	*Harness, DC Main	29-26327-00			
15	*Cover, Upper	29-26328-00			
16	*Cord, AC Power (US) (FDS)	29-26281-00			
	*Cord, Power (International)(FDS)	29-26280-00			
17	*Cable, Interface DC Data (FDS)	29-26284-00			
18	*COVER, LEFT	29-26331-00			
19	**Cap, Large Left Cover				
20	**Cap, Small Left Cover				
21	*Tray, Lower Bracket Paper Exit				
22	*Catch, Rotary	29-26318-00			
23	*Bracket, Rotary Catch				
24	*Cover, Front	29-26319-00			
25	*Screw, Stepped (M4)				
26	*Plate, Return Lever Guide				
27	*Switch, Cover Safety 100/120V	29-26344-00			
28	*Bracket, Main Switch				
29	*Cover, Main Switch Bracket				
30	*Stud, Lower Mounting	See Note 1			
31	*Stud, Upper Mounting	See Note 1			
32	*Cable, Main Motor Relay				
33	*Breaker, Circuit 1A 250V	29-26320-00			
34	*Screw, Phi Pan Hd. (M4x6)	See Note 2			
35	*Screw, Phi Pan Hd. (M4x6)	See Note 2			
36	*Screw, Phi Truss Hd. (M4x6)	See Note 2			
37	*Screw, Phi Hd. w/Flat Washer (M4x6)	See Note 2			
38	*Screw, Phi Hd. w/Flat Washer (M5x8)				
39	*Screw, Phi Pan Hd. (M3x5)	See Note 2			
40	*Screw, Phi Pan Hd. (M3x8)				

FIG. & ITEM NO.	DESCRIPTION	DEC PART NO.	ECO CUT-IN	USED ON CODE	REF FIG NO.
8- 41 42 43 44 45 46 47 48 49	*Washer, Toothed (M4) *Washer, Toothed (M4) *Clip, Cable (4.5MM) *Clip, Long Cable (5.2MM) *Clip, Nylon (2N) *Clip, Nylon (3N) (Not Shown) *Clip, Short Cable (5.2MM) *Clip, Nylon (6N) *Washer, Phillips (M4)  Note 1: Part of Hardware Kit, No. 29-26599-00. Note 2: Part of Miscellaneous Hardware Kit No. 29-26052-00 All items, 10 per kit. Note 3: Part of Retaining Rings & Clips Kit No. 29-25883-00 All items, 5 per kit.	See Note 3 See Note 3			

THIS PAGE INTENTIONALLY LEFT BLANK



LPS40-09-sc

Figure 9. Inverter Assembly, Face Down Stacker

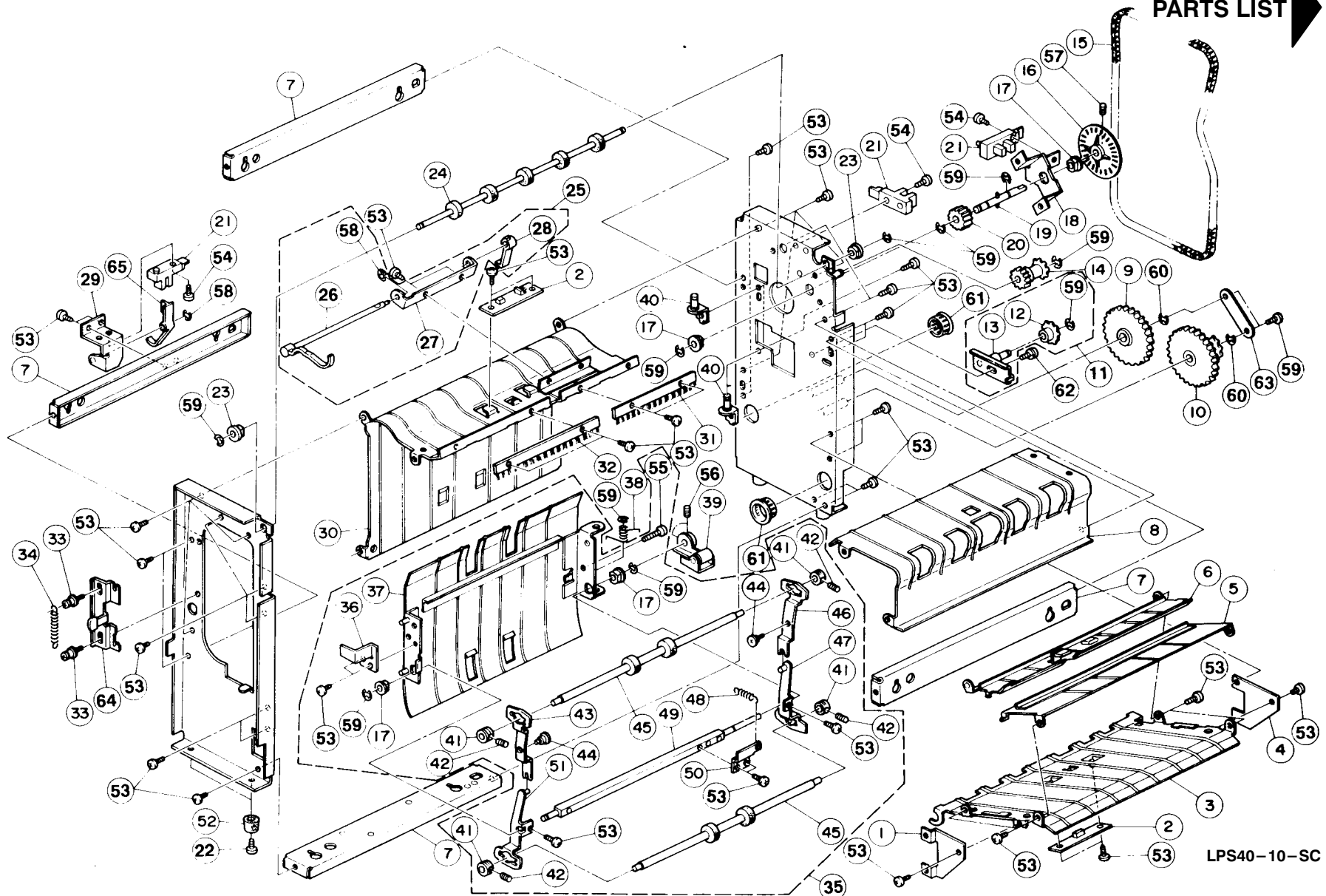
FIG. & ITEM NO.	DESCRIPTION	DEC PART NO.	ECO CUT-IN	USED ON CODE	REF FIG NO.
9-	INVERTER ASSEMBLY, FACE DOWN STACKER	N/A			1,1A
1	*Guide, Inversion Roller Shaft	See Note 1			
2	*Spring, Inversion Roller	See Note 2			
3	*Arm, Right Front Inversion	See Note 1			
4	*Roller, Right Inversion	See Note 3			
5	*Roller, Boss Inversion	See Note 1			
6	*Arm, Right Rear Inversion	See Note 1			
7	*Spring, Assistant Guide Plate	See Note 2			
8	*Plate, Assistant Guide				
9	*Plate, Right Inversion Guide				
10	*Cam Assembly, Inversion	29-26345-00			
11	*Clutch Assembly, Vertical Feed	29-26346-00			
12	*Screw, Hex Headless Set (M4x4)	See Note 5			
13	*Bearing, Ball (6x12x4MM)				
14	*Screw, Tapping (M4x8)				
15	*Solenoid, Inversion	29-25895-00			
16	*Solenoid, Junction Gate	29-25896-00			
17	*Spring, Junction Gate	See Note 2			
18	*Bushing, (6x10x6MM)				
19	*Bushing (6MM)	29-27610-01			
20	*Stopper, Arm				
21	*Sprocket, 14T	See Note 4			
22	*Sprocket, 19T	See Note 4			
23	*Arm, Assistant Guide Plate	29-26321-00			
24	*Solenoid, Return	29-25890-00			
25	*Sprocket, 25T	See Note 4			
26	*Gear, 28T	See Note 4			
27	*Sprocket, 12 (6MM)	See Note 4			
28	*Solenoid, Vertical Feed	29-25897-00			
29	*Bracket, Vertical Feed Clutch				
30	*Bearing, Ball (8x16x5MM)	29-27615-01			
31	*Roller, Vertical Feed	29-26322-00			
32	*Roller, Right Upper Exit	29-26297-00			
33	*Shaft, Fulcrum Return Roller				
34	*Roller, Return	29-26314-00			
35	*Plate, Return Roller Spring	29-26310-00			
36	*Arm, Left Rear Inversion	See Note 1			
37	*Shaft, Left Inversion Roller	See Note 1			
38	*Roller, Left Inversion	See Note 3			
39	*Arm, Left Front Inversion				
40	*Roller, Left Upper Exit	29-26315-00			
41	*Plate, Left Exit Guide				
42	*Roller, Upper Inversion	29-26316-00			

FIG. & ITEM NO.	DESCRIPTION	DEC PART NO.	ECO CUT-IN	USED ON CODE	REF FIG NO.
9-					
43	*Bushing, (8MM)				
44	*Roller, Knob Registration				
45	*Roller, Left Lower Exit				
46	*Plate, Left Inversion Guide				
47	*Detector, Paper	29-25892-00			
48	*Cover, Motor				
49	*Motor Assembly	29-25893-00			
50	*Gear, Motor	29-26317-00			
51	*Cushion, Right Support Guide				
52	*Roller, Inversion Drive	See Note 3			
53	*Gate, Junction				
54	*Plate, Junction Gate Guide				
55	*Brush, Long Antistatic	29-26323-00			
56	*Screw, Phi Pan Hd. (M4x6)	See Note 5			
57	*Screw, Phi Pan Hd. (M4x8)	See Note 5			
58	*Screw, Phi Hd. w/Flat Washer (M4x8)				
59	*Screw, Phi Pan Hd. (M3x5)	See Note 5			
60	*Screw, Phi Pan Hd. (M3x6)				
61	*Screw, Phi Pan Hd. (M4x4)				
62	*Screw, Hex Headless Set (M4x5)				
63	*Ring, Retaining (M4)	See Note 6			
64	*Ring, Retaining (M6)	See Note 6			
	<p>Note 1: Part of Inversion Kit, No. 29-26610-00.  Note 2: Part of Spring Kit, No. 29-26597-00.  Note 3: Part of Roller Kit, No. 29-26611-00.  Note 4: Part of Gear Kit, No. 29-26598-00.  Note 5: Part of Miscellaneous Hardware Kit,  No. 29-26052-00 - All items, 10 per kit.  Note 6: Part of Retaining Rings and Clips Kit,  No. 29-25882-00 - All items, 5 per kit.</p>				

THIS PAGE INTENTIONALLY LEFT BLANK



PARTS LIST



LPS40-10-SC

Figure 10. Miscellaneous Components Assembly, Face Down Stacker

FIG. & ITEM NO.	DESCRIPTION	DEC PART NO.	ECO CUT-IN	USED ON CODE	REF FIG NO.
10-	MISCELLANEOUS COMPONENTS ASSEMBLY, FACE DOWN STACKER	N/A			1,1A
1	*Plate, Front Entrance Side				
2	*Detector, Paper	29-25892-00			
3	*Guide, Lower Entrance	29-27213-01			
4	*Plate, Rear Entrance Side				
5	*Guide, Upper Entrance	29-27214-01			
6	*Guide, Entrance Cover	29-27215-01			
7	*Stay				
8	*Guide, Upper Paper Exit				
9	*Gear, 46T/15T	See Note 1			
10	*Gear, 47T w/Sprocket, 15T	See Note 1			
11	*SPROCKET ASSEMBLY	29-26608-00			
12	**Sprocket, Tension				
13	**Bracket, Tension				
14	*Gear, 22T w/Sprocket, 11T	See Note 1			
15	*Chain, Bushed Roller 222P	29-26337-00			
16	*Disk, Perforation	29-26338-00			
17	*Bushing, (6x10x6MM)	29-27610-01			
18	*Bracket, Pulse Generator				
19	*Shaft, Pulse Generator				
20	*Gear, 17T	See Note 1			
21	*Sensor, LED Type T	29-26339-00			
22	*Screw, Phi Pan Hd. (M3x14)				
23	*Bushing, (6MM)				
24	*Roller, Right Lower Exit	29-26324-00			
25	*ACTUATOR ASSEMBLY	29-26609-00			
26	**Actuator, Right Overflow Sensor				
27	**Bracket, Right Overflow Sensor				
28	**Feeler, Right Overflow Sensor				
29	*Bracket, Left Overflow Sensor				
30	*Guide, Paper Feed				
31	*Brush, Short Antistatic	29-26325-00			
32	*Brush, Medium Antistatic	29-26326-00			
33	*Stud, Latch				
34	*Spring, Latch	See Note 2			

FIG. & ITEM NO.	DESCRIPTION	DEC PART NO.	ECO CUT-IN	USED ON CODE	REF FIG NO.
10-					
35	*VERTICAL FEED DOOR ASSEMBLY	29-26607-00.			
36	**Lever, Vertical Feed Door				
37	**Bracket, Vertical Feed Door				
38	**Spring, Vertical Feed Door	See Note 2			
39	**Lever, Vertical Feed Clutch	29-26341-00			
40	**Pin, Fulcrum Vertical Feed Door				
41	**Guide, Inverter Roller Shaft				
42	**Spring, Inverter Roller				
43	**Arm, Upper Front Feed Roller				
44	**Screw, Stepped (M4)				
45	**Roller, Vertical Feed	29-26286-00			
46	**Arm, Upper Rear Feed Roller				
47	**Arm, Lower Rear Feed Roller				
48	**Spring, Feed Roller				
49	**Shaft, Fulcrum Vertical Feed Door				
50	**Bracket, Spring Hook				
51	**Arm, Lower Front Feed Roller				
52	*Foot, Rubber				
53	*Screw, Phi Pan Hd. (M4x6)	See Note 3			
54	*Screw, Phi Pan Hd. (M4x10)	See Note 3			
55	*Screw, Phi Pan Hd. (M4x14)	See Note 3			
56	*Screw, Hex Headless Set (M4x5)	See Note 3			
57	*Screw, Hex Headless Set (M5x5)	See Note 3			
58	*Ring, Retaining (M3)	See Note 4			
59	*Ring, Retaining (M4)	See Note 4			
60	*Ring, Retaining (M6)	See Note 4			
61	*Bushing, Open/Close				
62	*Screw, Phi w/Flat Washer (M4X6)	See Note 3			
63	*Plate, Gear Fixing				
64	*Lever, Vertical Feed Door Release				
65	*Feeler, Left Overflow Sensor	29-26340-00			
	<p>Note 1: Part of Gear Kit, No. 29-26598-00.  Note 2: Part of Spring Kit, No.29-26597-00.  Note 3: Part of Miscellaneous Hardware Kit,  No. 29-26052-00 - All items, 10 per kit.  Note 4: Part of Retaining Ring &amp; Clips Kit,  No. 29-25883-00 - All items, 5 per kit.</p>				

THIS PAGE INTENTIONALLY LEFT BLANK

**PRINT ENGINE** 

**THIS PAGE INTENTIONALLY LEFT BLANK**

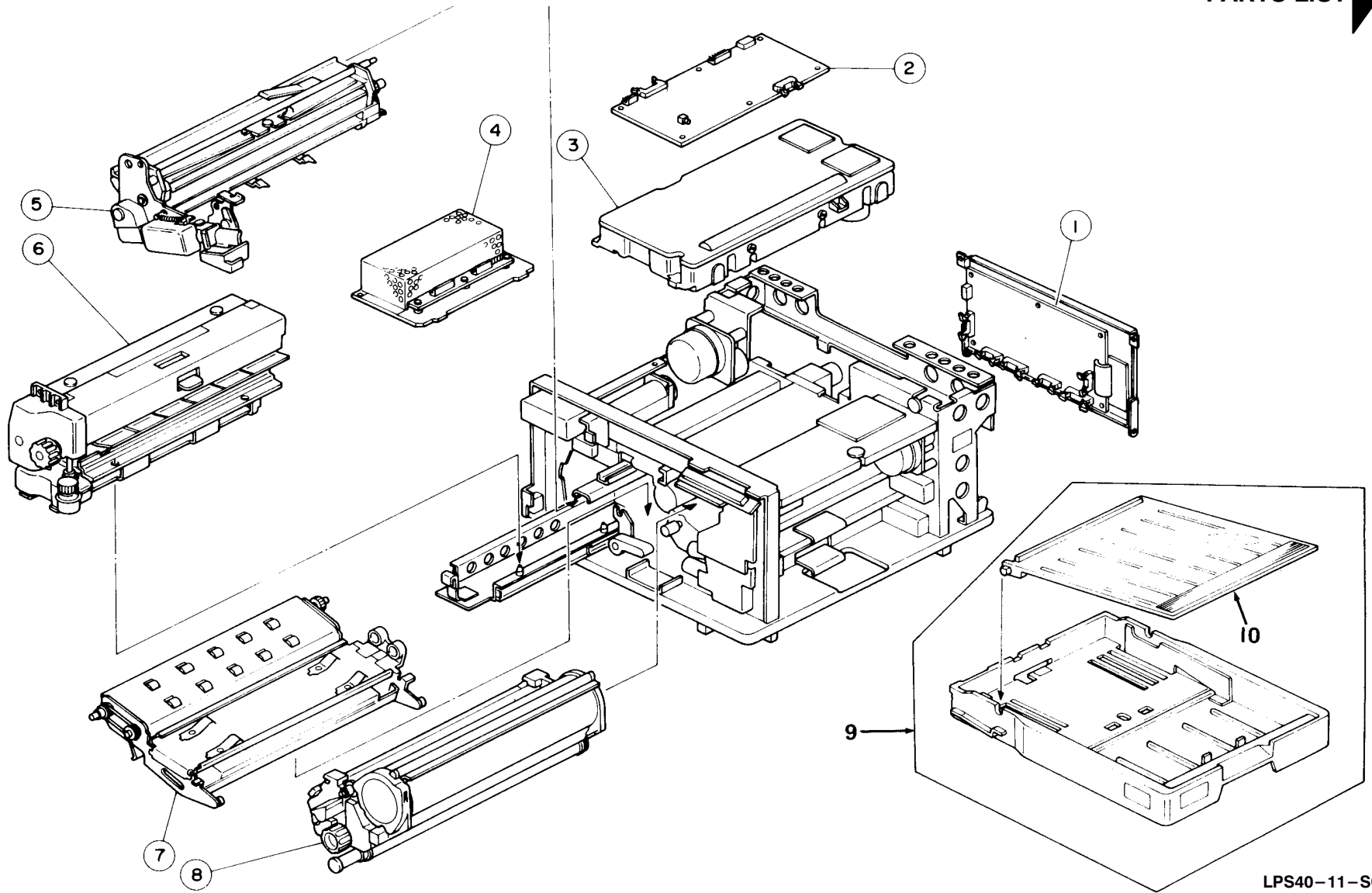
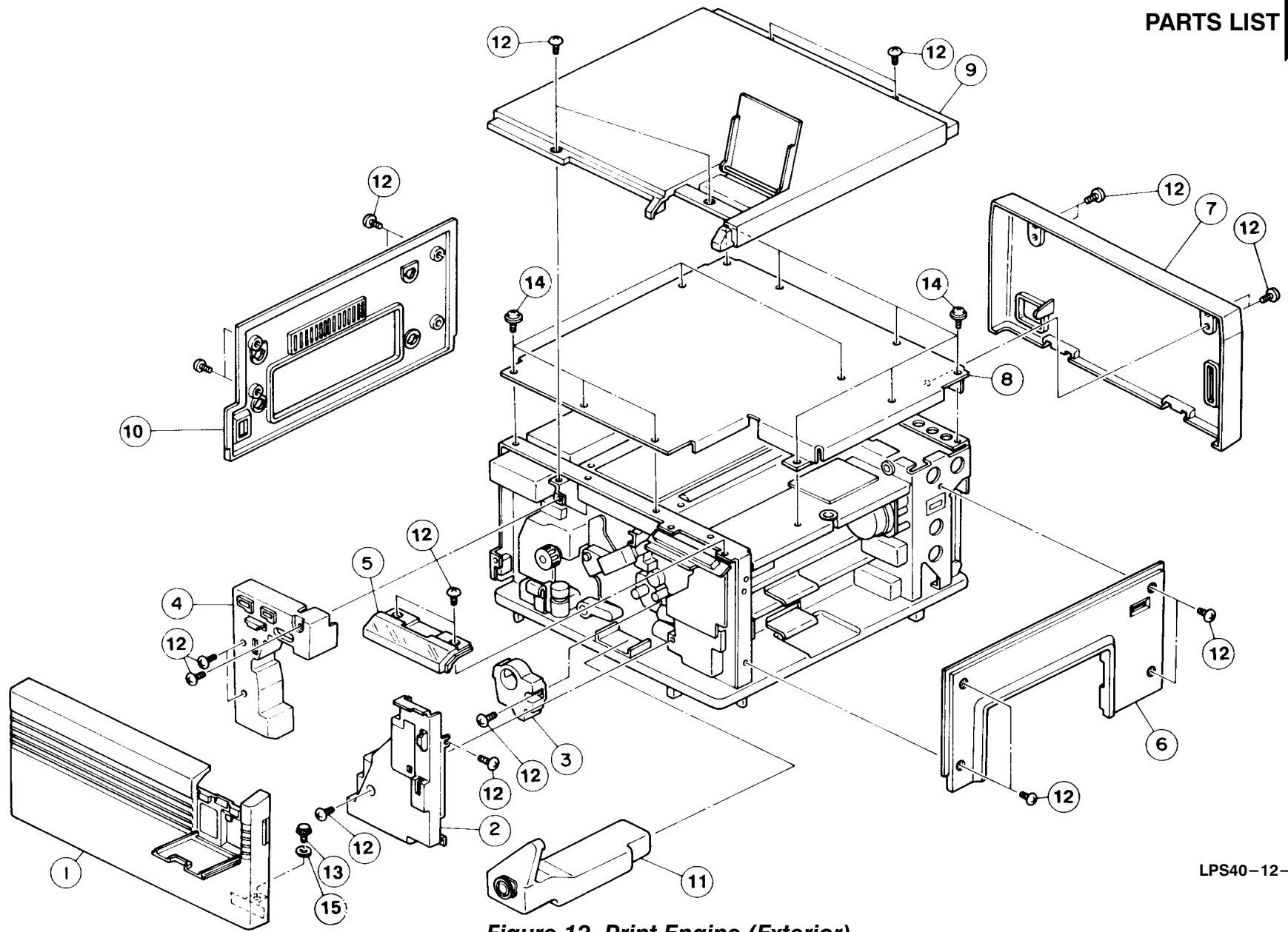


Figure 11. Engine Components, Print

FIG. & ITEM NO.	DESCRIPTION	DEC PART NO.	ECO CUT-IN	USED ON CODE	REF FIG NO.
11-	PRINT ENGINE UNIT COMPONENTS	N/A			1,1A
1	*Module, Sequence Control	29-25875-00			
2	*Module, Video Control	29-25870-00			
3	*OPTICAL HOUSING UNIT	29-25909-00			15
4	*Power Supply, DC	29-25877-00			
5	*CLEANING UNIT	29-25847-00			18
6	*FUSING UNIT	29-25848-00			20
7	*TRANSPORT UNIT	29-25849-00			19
8	*DEVELOPMENT UNIT	29-25850-00			17
9	*Cassette, Double Letter	34-25288-02			
	*Cassette, Letter	34-25288-01			
10	*Cassette Cover (A3)				
	*Cassette Cover (A4)				



**PARTS LIST** 

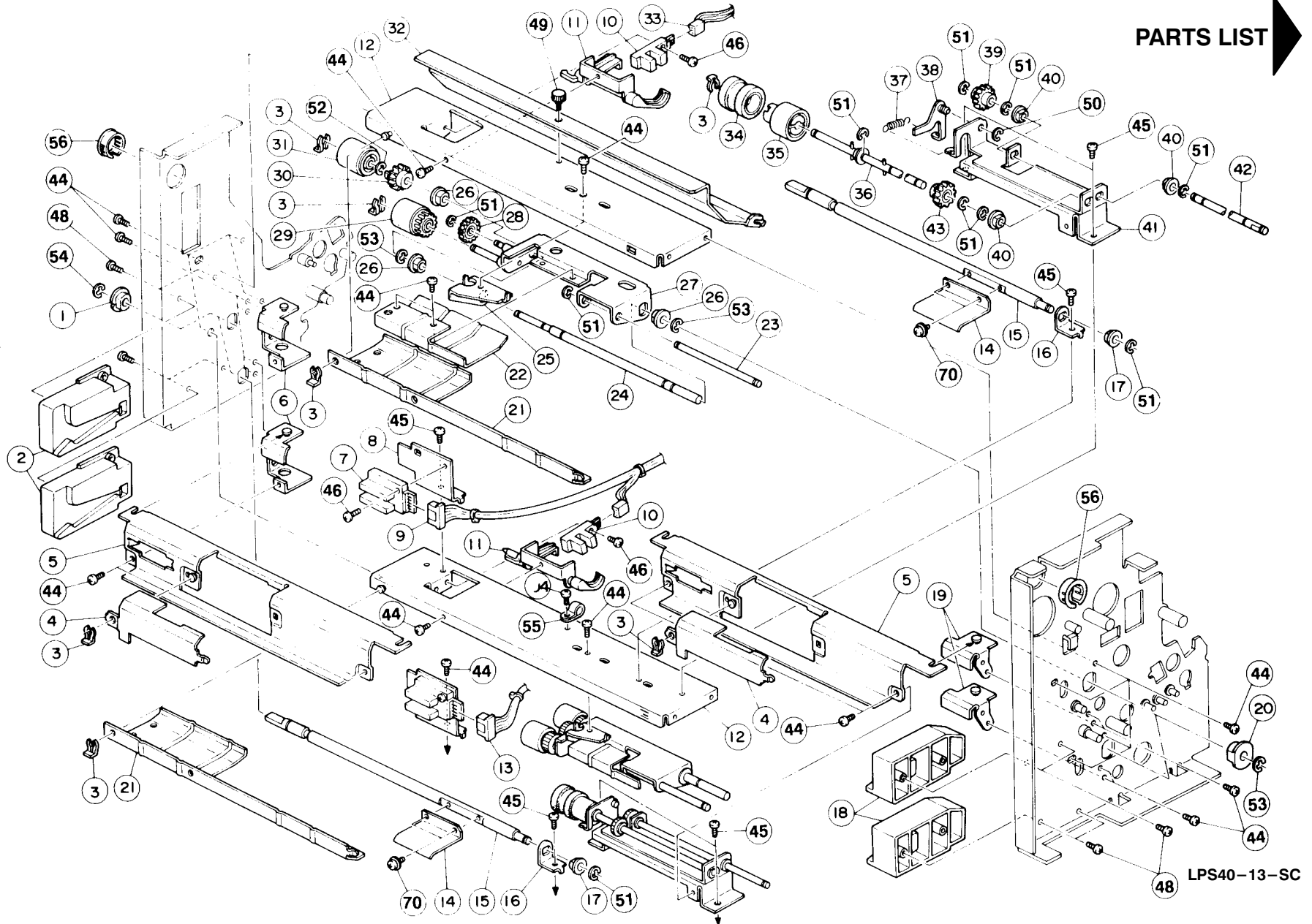


**Figure 12. Print Engine (Exterior)**

LPS40-12-BD

FIG. & ITEM NO.	DESCRIPTION	DEC PART NO.	ECO CUT-IN	USED ON CODE	REF FIG NO.
12-	<b>PRINT ENGINE EXTERIOR</b>	N/A			1,1A
1	*Cover Assembly, Front	29-26023-00			
2	*Cover, Right Inner	29-26273-00			
3	*Cover, Registration				
4	*Cover, Left Inner	29-26274-00			
5	*Panel, Indicator	29-25842-00			
6	*Cover, Right	29-26024-00			
7	*Cover, Rear	29-26025-00			
8	*Cover, Video Power Control Board Shield				
9	*Cover, Upper	29-26026-00			
10	*Cover, Left	29-26027-00			
11	*Bottle, Developer Collection	29-25843-00			
12	*Screw, Phi Truss Hd. (M4x6)	See Note 1			
13	*Screw, Knob (M4x6.5)	See Note 1			
14	*Screw, Phi W/Flat Washer (M4x6)	See Note 1			
15	*Bushing, (M4x5)				
	<b>Note 1: Part of Miscellaneous Hardware Kit No. 29-26052-00 All items, 10 per kit.</b>				

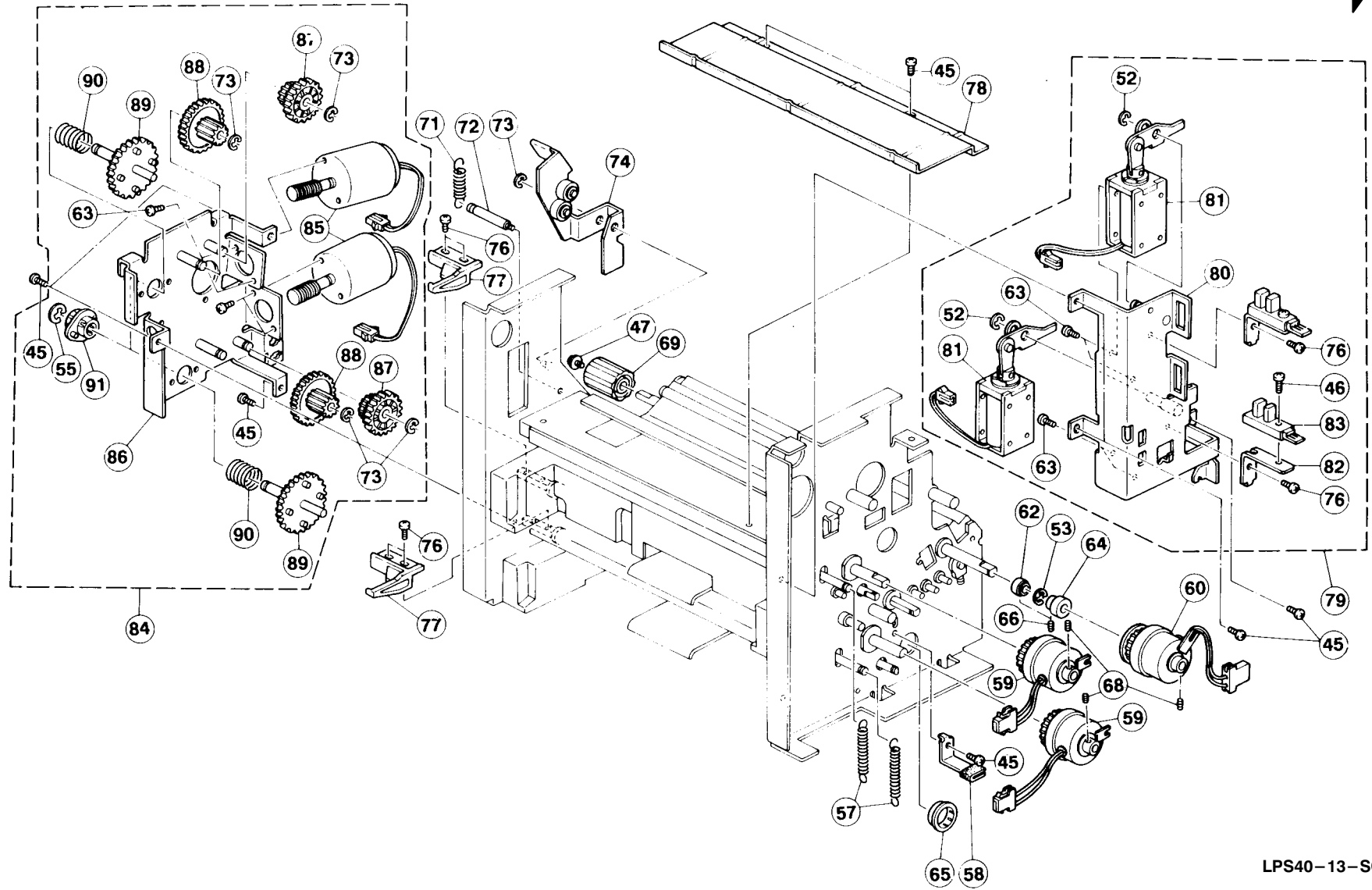
**PARTS LIST**



**Figure 13. Paper Feed Assembly, Print Engine (Sheet 1 of 2)**

LPS40-13-SC

PARTS LIST



LPS40-13-SC

Figure 13. Paper Feed Assembly (Sheet 2 of 2)

FIG. & ITEM NO.	DESCRIPTION	DEC PART NO.	ECO CUT-IN	USED ON CODE	REF FIG NO.
13-	PAPER FEED ASSEMBLY, PRINT ENGINE	N/A			1,1A
1	*Bushing (10MM)				
2	*Guide, Cassette Front				
3	*Ring, Snap	See Note 1			
4	*Cover, Separation Guide	29-25844-00			
5	*Guide, Separation				
6	*Guide, Front Holder Separation				
7	*Pac, Photo-Interrupter	29-25845-00			
8	*Bracket, Size Detector				
9	*Cable, Size Detector Paper End Sensor				
10	*Sensor, LED Type S	29-25846-00			
11	*Filler, Paper End	29-26019-00			
12	*Stay, Paper Feed Assembly				
13	*Cable, Size Detector				
14	*Plate, Bottom Drive Arm				
15	*Shaft, Drive Arm				
16	*Bracket, Drive Arm Shaft				
17	*Bushing, (6x10x6MM)	29-27610-01			
18	*Guide, Cassette Rear				
19	*Holder, Rear Separation Guide				
20	*Bushing, Paper Feed Roller				
21	*Guide, Upper Feed				
22	*Guide, Feed Shaft				
23	*Shaft, Pre-Feed Roller				
24	*Shaft, Feed Roller				
25	*Bracket, Paper Feed Assembly				
26	*Bushing, (8MM)	29-27616-01			
27	*Arm, Paper Feed				
28	*Gear, 19T	See Note 2			
29	*Roller, Pre-Feed (See Note 3)	29-25103-00			
30	*Gear, 18T	See Note 2			
31	*Roller, Feed	See Note 3			
32	*Cover, Feed				
33	*Cable, Upper Paper End Sensor				
34	*Roller, Separation	See Note 3			
35	*Limiter, Torque	See Note 3			
36	*Shaft, Separation Roller				
37	*Roller, Pressure Spring Separation	See Note 4			
38	*Arm, Pressure Separation Roller				
39	*Gear, 18T, Drive Shaft	See Note 2			

FIG. & ITEM NO.	DESCRIPTION	DEC PART NO.	ECO CUT-IN	USED ON CODE	REF FIG NO.
13-					
40	*Bushing, (6x10x6MM)				
41	*Bracket, Paper – Separator				
42	*Shaft, Separation Roller Drive				
43	*Gear, 18T, Roller Shaft	See Note 2			
44	*Screw, Phi Pan Hd. (M4x6)	See Note 5			
45	*Screw, Phi Tapping (M4x8)	See Note 5			
46	*Screw, Phi Pan Hd. (M4x10)	See Note 5			
47	*Screw, Phi w/Flat Washer (M4x6)	See Note 5			
48	*Screw, Tapping (M4x8)	See Note 5			
49	*Screw, Knob (M4x6.5)	See Note 5			
50	*Ring, Retaining (M3)	See Note 1			
51	*Ring, Retaining (M4)	See Note 1			
52	*Ring, Retaining (M5)	See Note 1			
53	*Ring, Retaining (M6)	See Note 1			
54	*Ring, Retaining (M8)	See Note 1			
55	*Clip, Nylon	See Note 1			
56	*Bushing, Open/Close (20.2MM)				
57	*Spring, Pre – Feed Roller Shaft	See Note 4			
58	*Bracket, Clutch Stopper				
59	*Clutch, Magnetic Feed	29-25838-00			
60	*Clutch, Magnetic Registration	29-25839-00			
61	*Screw, Phi Hd w/Flat Washer				
62	*Collar, Shaft Fixing				
63	*Screw, Phi Pan Hd (M3 x 5)	See Note 1			
64	*Boss, Brake, Registration				
65	*Bushing, Open/Close (20.2MM)				
66	*Screw, Hex Hd. Set (M5x5)	See Note 5			
67	*Screw, Phi Tapping (M4 x 8)				
68	*Screw, Hex Hd. Set	See Note 5			
69	*Knob, Registration Roller				
70	*Screw, Phi Hd w/Flat Washer				
71	*Spring, Cartridge Lever	See Note 4			
72	*Anchor, Cartridge Lever Spring				
73	*Ring, Retaining (M4)	See Note 1			
74	*Lever, Cartridge	29-26022-00			
75	*Stud, Cartridge Lever	29-26021-00			
76	*Screw, Phi Pan Hd (M4 x 6)				
77	*Lever, Elevate Cassette	29-26028-00			
78	*Plate, Paper Feed Shield				

FIG. & ITEM NO.	DESCRIPTION	DEC PART NO.	ECO CUT-IN	USED ON CODE	REF FIG NO.
13-					
79	*DETECTOR ASSEMBLY, PAPER HEIGHT	29-26290-00			
80	**Bracket, Feed Solenoid	See Note 6			
81	**Solenoid, Pre-Feed Roller	See Note 6			
82	**Bracket, Paper Height Detector	See Note 6			
83	**Sensor, LED Type S (See Note 6)	29-25846-00			
84	*MOTOR ASSEMBLY, CASSETTE	29-25840-00			
85	**Motor, Cassette	See Note 7			
86	**Bracket, Cassette Motor	See Note 7			
87	**Gear, 15T	See Note 7			
88	**Gear, 15T & 40T	See Note 7			
89	**Gear, 45T	See Note 7			
90	**Spring, Gear Slide	See Note 7			
91	**Holder, Slide Shaft	See Note 7			
	<p>Note 1: Part of Retaining Rings &amp; Clips Kit, No. 29-25883-00 - All items, 5 per kit.</p> <p>Note 2: Part of Feeder Kit, No. 29-26020-00, - All items, 4 per kit.</p> <p>Note 3: Part of Feed Roller Kit, No. 29-25837-00 - All items, 2 per kit.</p> <p>Note 4: Part of Spring Kit, No. 29-25882-00 - All items, 3 per kit.</p> <p>Note 5: Part of Miscellaneous Hardware Kit, No. 29-26052-00 - All items, 10 per kit.</p> <p>Note 6: Part of Paper Height Detector Assembly, No. 29-26290-00.</p> <p>Note 7: Part of Cassette Motor Assembly Kit, No. 29-25840-00 - All items, 2 per kit.</p>				

THIS PAGE INTENTIONALLY LEFT BLANK



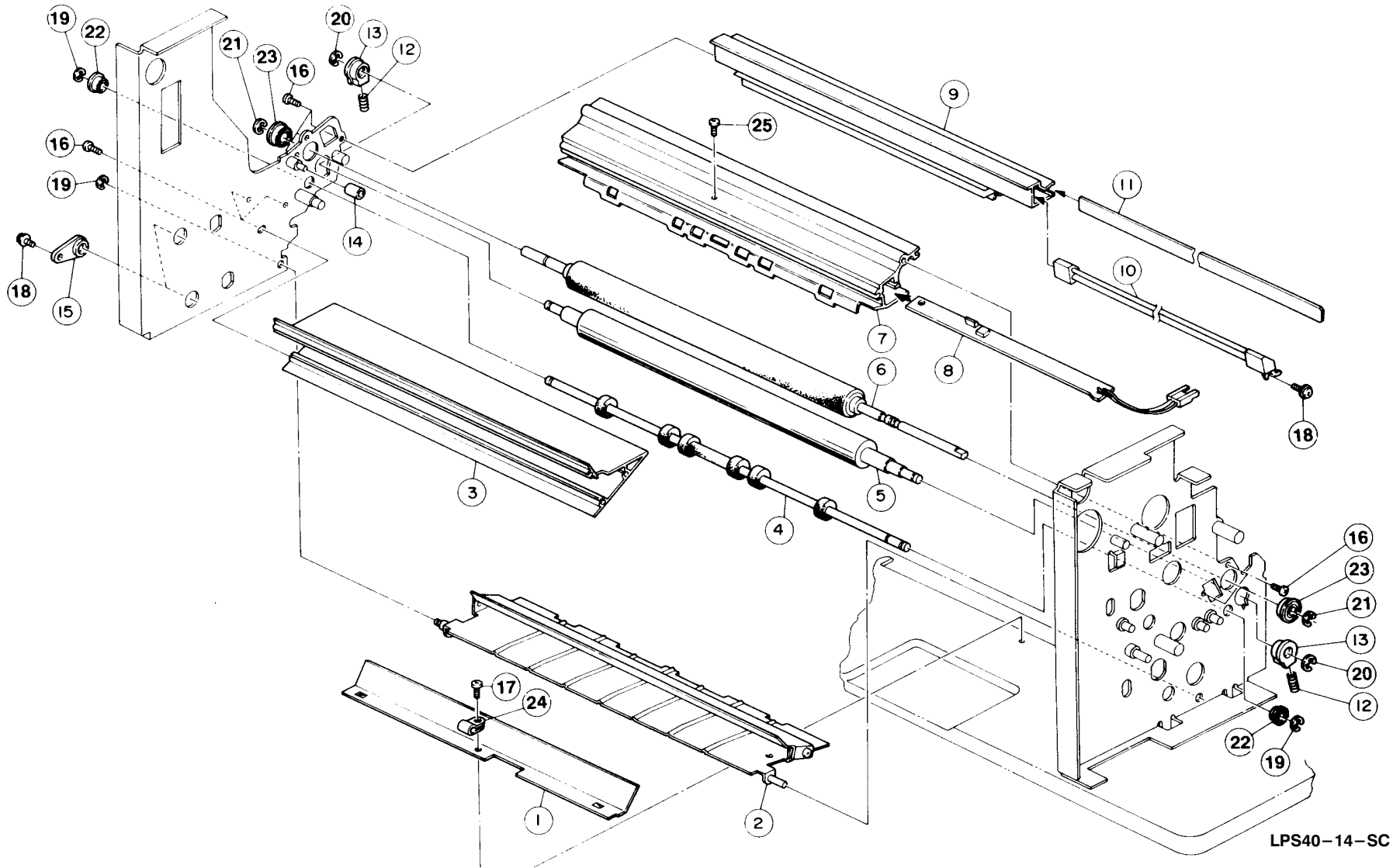
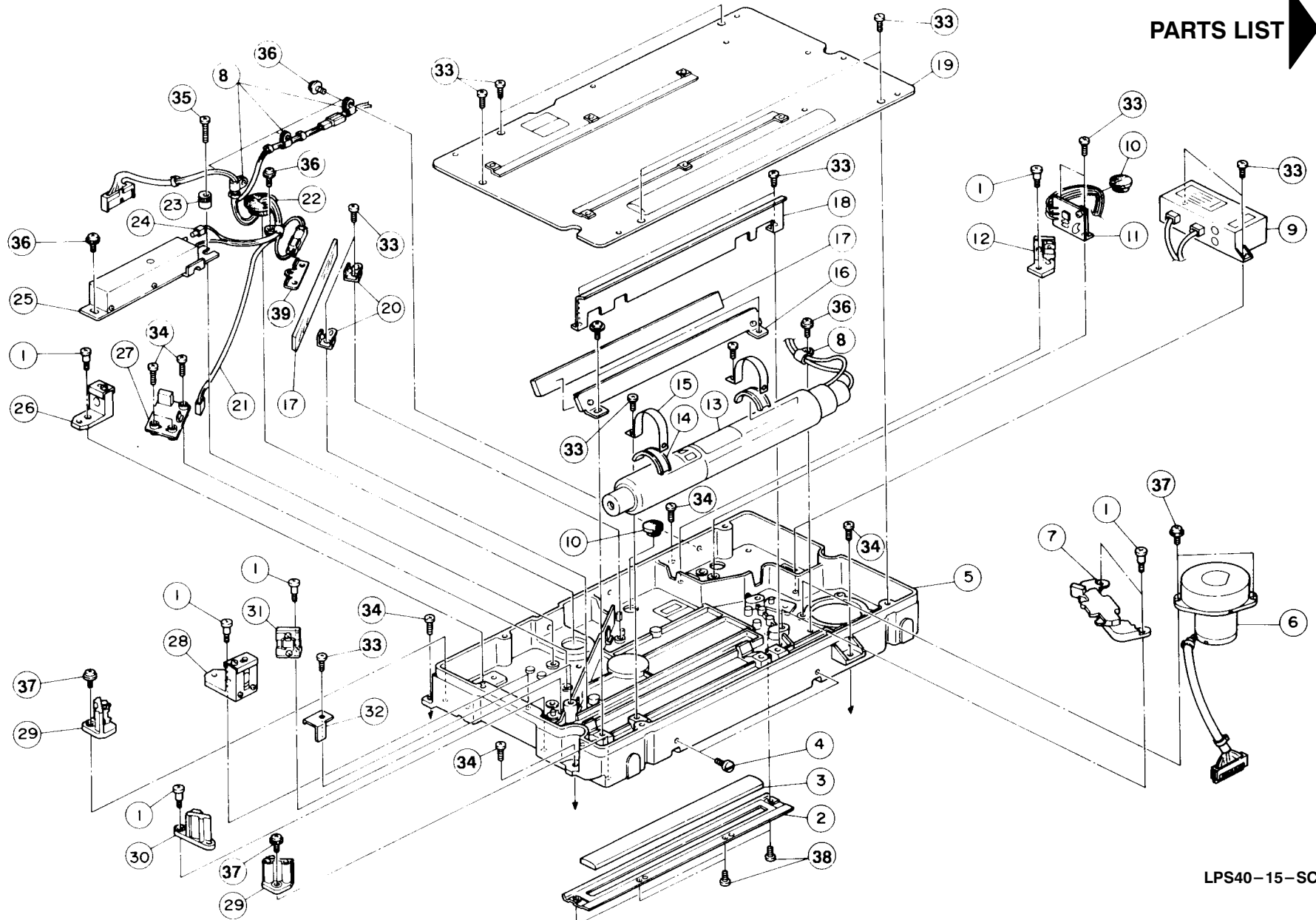


Figure 14. Registration Assembly, Print Engine

FIG.& ITEM NO.	DESCRIPTION	DEC PART NO.	ECO CUT-IN	USED ON CODE	REF FIG NO.
14-	REGISTRATION ASSEMBLY,PRINT ENGINE	N/A			1,1A
1	*Guide, Entrance Tray				
2	*Guide, Lower Feed				
3	*Guide, Middle Feed				
4	*Roller, Relay	See Note 1			
5	*Roller, Lower Registration	See Note 1			
6	*Roller, Upper Registration	See Note 1			
7	*Stay, Registration				
8	*Module, Registration Sensor	29-25832-00			
9	*Guide, PTL	29-27840-01			
10	*Lamp, Pre-Transfer	29-25833-00			
11	*Filter, PTL	29-26029-00			
12	*Spring, Registration Roller	See Note 2			
13	*Bushing, Upper Registration Roller				
14	*Tube, Cushion				
15	*Supporter, Shaft				
16	*Screw, Phi Pan Hd. (M4x6)	See Note 3			
17	*Screw, Phi Tapping (M4x8)	See Note 3			
18	*Screw, Phi W/Flat Washer (M4x6)	See Note 3			
19	*Ring, Retaining (M4)	See Note 4			
20	*Ring, Retaining (M5)	See Note 4			
21	*Ring, Retaining (M6)	See Note 4			
22	*Bearing, Ball (6x12x4MM)				
23	*Bearing, Ball(8x16x5MM)	29-27615-01			
24	*Clip, Nylon	See Note 4			
25	*Screw, Phi Pan Hd. (M3x14)				
	<p>Note 1: Part of Roller Kit, No. 29-25841-00 - All items, 1 per kit.</p> <p>Note 2: Part of Spring Kit, No. 29-25882-00 - All items, 3 per kit.</p> <p>Note 3: Part of Miscellaneous Hardware Kit, No. 29-26052-00 - All items, 10 per kit.</p> <p>Note 4: Part of Retaining Rings &amp; Clips Kit, No. 29-25883-00 - All items, 5 per kit.</p>				



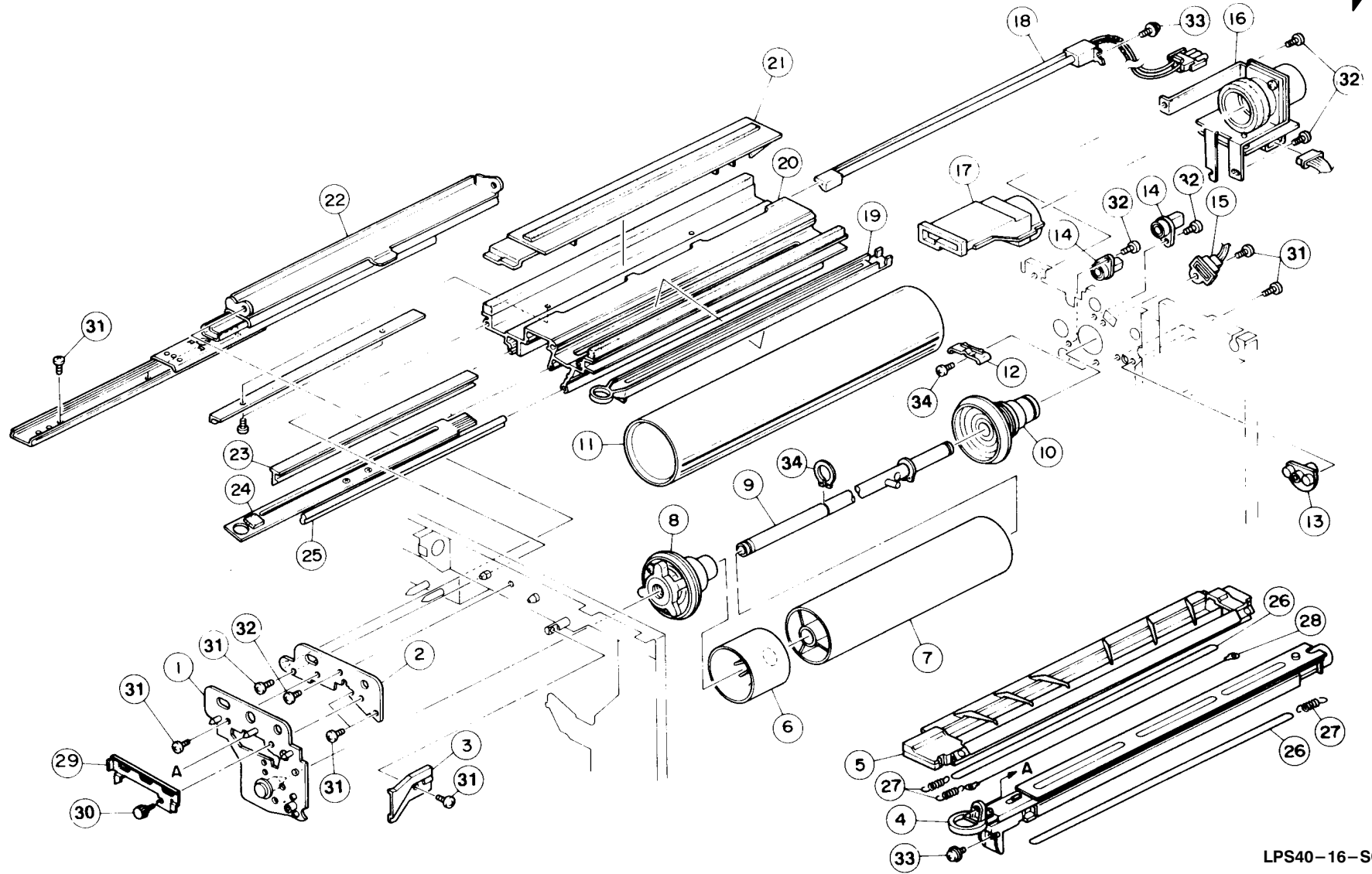
**PARTS LIST** 

**Figure 15. Optical Housing Unit, Print Engine**

LPS40-15-SC

FIG. & ITEM NO.	DESCRIPTION	DEC PART NO.	ECO CUT-IN	USED ON CODE	REF FIG NO.
15-	OPTICAL HOUSING UNIT, PRINT ENGINE	29-25909-00			11
1	*Screw, Basis (M4)				
2	*Holder, CY2 Lens				
3	*Lens, Second Cylindrical (CY2)				
4	*Screw, Laser Band				
5	*Housing, Molding Optical				
6	*Scanner Assembly, Polygon	29-25834-00			
7	*Lens Assembly, FO				
8	*Lens Assembly, Second Spherical				
9	*Power Supply, Laser Drive	29-25835-00			
10	*Cap, Small Shield				
11	*Module, Beam Power Detector	29-25836-00			
12	*Mirror Assembly, Third				
13	*Tube, Laser	29-25827-00			
14	*Cushion, Laser Tube				
15	*Holder, Band Laser Tube				
16	*Holder, Fifth Mirror				
17	*Mirrors, Fourth & Fifth				
18	*Screen, Laser Tube				
19	*Cover, Optical Housing				
20	*Holder, Fourth Mirror				
21	*Cable, Sync Detector				
22	*Cap, Large Shield				
23	*Cam, Eccentric AOM				
24	*Cable, AOM				
25	*AOM	29-25828-00			
26	*Lens Assembly, First Cylindrical				
27	*Module, Sync Detector	29-25829-00			
28	*Lens Assembly, First Spherical				
29	*Mirror Assembly, First & Second				
30	*Mirror Assembly, Sync Detecting				
31	*Lens Assembly, Sync Detecting				
32	*Screen, Sync Detector				
33	*Screw, Phi Pan Hd. (M4x6)	See Note 1			
34	*Screw, Phi Pan Hd. (M4x12)	See Note 1			
35	*Screw, Phi Pan Hd. (M4x25)	See Note 1			
36	*Screw, Phi W/Flat Washer (M4x6)	See Note 1			
37	*Screw, Phi W/Flat Washer (M4x10)	See Note 1			
38	*Screw, Phi Pan Hd. (M3x5)	See Note 1			
39	*Clip, Nylon	See Note 2			
	<p>Note 1: Part of Miscellaneous Hardware Kit, No. 29-26052-00 - All items, 10 per kit.</p> <p>Note 2: Part of Retaining Rings &amp; Clips Kit, No. 29-25883-00 - All items, 5 per kit.</p>				

**PARTS LIST** 



**Figure 16. Drum Assembly, Print Engine**

LPS40-16-SC

FIG. & ITEM NO.	DESCRIPTION	DEC PART NO.	ECO CUT-IN	USED ON CODE	REF FIG NO.
16-	DRUM ASSEMBLY, PRINT ENGINE	N/A			
1	*Plate, Drum Stay Support				
2	*Plate, Front Drum Side				
3	*Guide, Cleaning Unit	29-26030-00			
4	*Corona Assembly, Charge	29-25830-00			
5	*Corona Assembly, T & D	29-25831-00			
6	*Guide, Drum				
7	*Drum, Casing				
8	*Flange, Front Drum				
9	*Shaft, Drum				
10	*Flange, Rear Drum				
11	*Drum	29-25822-01			
12	*Bracket, Rear T & D Corona				
13	*Holder, Development Unit				
14	*Receptacle, Corona	29-25823-00			
15	*Harness, DC Relay				
16	*Fan, Drum (LNO2)	29-25824-00			
17	*Duct, Drum Fan	29-26031-00			
18	*Lamp, Quenching	29-25825-00			
19	*Shield, Glass	29-25826-00			
20	*Rail, T & D Corona				
21	*Duct, Charge Corona				
22	*Rail, Cleaning Unit				
23	*Filter, Quenching Lamp	29-25817-00			
24	*Drum, Temperature Sensor	29-25818-00			
25	*Shield, Rubber				
26	*Wire, Main Corona				
27	*Spring, Corona Wire				
28	*Wire, T & S Corona				
31	*Screw, Phi Pan Hd. (M4x6)	See Note 1			
32	*Screw, Phi Tapping (M4x8)	See Note 1			
33	*Screw, Phi W/Flat Washer (M4x6)	See Note 1			
34	*C-Ring, Retaining (M17)	See Note 2			
29	*Clamp, Cleaning Unit	29-27842-01			
30	*Screw, Knob				
	<p>Note 1: Part of Miscellaneous Hardware Kit, No. 29-26052-00 - All items, 10 per kit.</p> <p>Note 2: Part of Retaining Rings &amp; Clips Kit, No. 29-25883-00 - All items, 5 per kit.</p>				

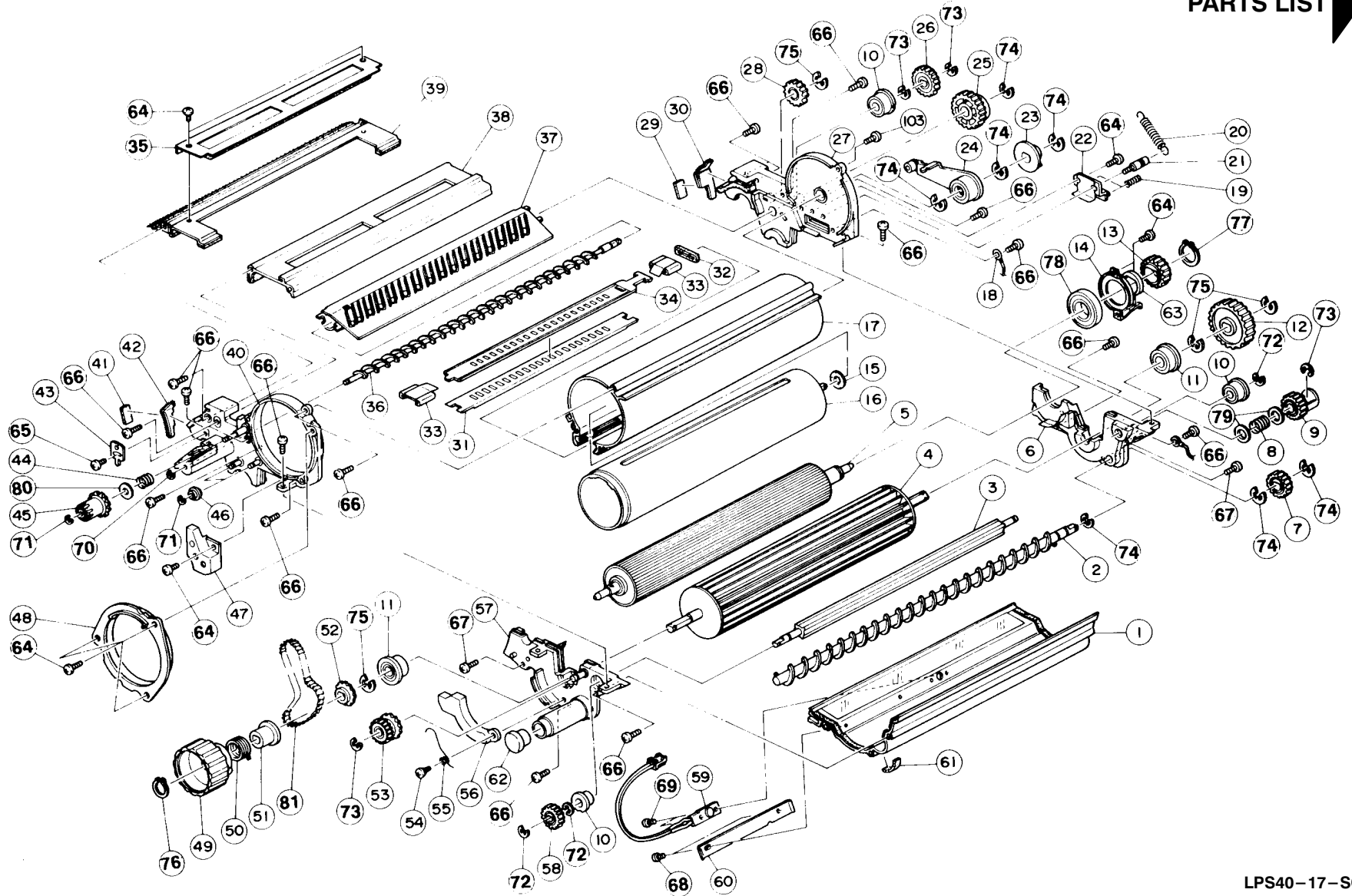


Figure 17. Development Unit, Print Engine

LPS40-17-SC

FIG. & ITEM NO.	DESCRIPTION	DEC PART NO.	ECO CUT-IN	USED ON CODE	REF FIG NO.
17-	DEVELOPMENT UNIT, PRINT ENGINE	29-25850-00			11
1	*Plate, Development Bottom				
2	*Screw, Toner Collection				
3	*Agitator				
4	*Roller, Paddle				
5	*Roller, Development				
6	*Plate, Rear Lower Side				
7	*Gear, Hopper Drive	See Note 1			
8	*Spring, Toner Collection Idler	See Note 2			
9	*Gear, 18T	See Note 1			
10	*Bushing, (6MM)				
11	*Bushing, (8MM)				
12	*Gear, 39T	See Note 1			
13	*Gear, 25T	See Note 1			
14	*Retainer, Bearing				
15	*Seal, Hopper				
16	*Casing, Cartridge				
17	*Casing, Hopper				
18	*Wire, Ground Development				
19	*Spring, Shutter	See Note 2			
20	*Spring, Lever	See Note 2			
21	*Spring, Anchor				
22	*Holder, Shutter Spring				
23	*Gear, Actuator	See Note 1			
24	*Lever, Hopper Drive	See Note 1			
25	*Gear, Cartridge Drive	See Note 1			
26	*Gear, 22T	See Note 1			
27	*Plate, Rear Upper Side				
28	*Gear, Idler 18T	See Note 1			
29	*Seal, Rear Rubber Development				
30	*Seal, Rear Brush Development				
31	*Shutter, Lower Toner Supply				
32	*Seal, Toner Supply Shutter				
33	*Stopper, Shutter				
34	*Shutter, Upper Toner Supply				
35	*Filter, Development	29-27218-01			
36	*Screw, Toner Transport				
37	*Plate, Backspill				
38	*Blade Assembly, Doctor				
39	*Cover, Upper Development				
40	*Plate, Front Upper Side				
41	*Seal, Front Rubber Development				
42	*Seal, Front Brush Development				
43	*Plate, Mag Angle Adjusting				
44	*Spring, Gear				
45	*Sprocket, 14T	See Note 1			



FIG. & ITEM NO.	DESCRIPTION	DEC PART NO.	ECO CUT-IN	USED ON CODE	REF FIG NO.
17-					
46	*Idler, (4MM)				
47	*Cover, Agitator Drive				
48	*Plate, Cartridge Guide				
49	*Knob, Manual Development				
50	*Spring, Development Knob				
51	*Clutch, Drive Development Knob				
52	*Sprocket, 12T	See Note 1			
53	*Gear, Agitator Drive	See Note 1			
54	*Screw, Shoulder Spring				
55	*Spring, Tightener	See Note 2			
56	*Cover, Plastic Harness				
57	*Plate, Front Lower Side				
58	*Gear, Agitator	See Note 1			
59	*Sensor, Toner Density	29-25911-00			
60	*Cover, Sensor Harness				
61	*Seal, Development Bottom Plate				
62	*Cap, Development				
63	*Spacer, Development				
64	*Screw, Phi Pan Hd. (M4x6)	See Note 3			
65	*Screw, Phi Pan Hd. (M4x6)	See Note 3			
66	*Screw, Phi Pan Hd. (M4x10)	See Note 3			
67	*Screw, Phi Pan Hd. (M4x10)	See Note 3			
68	*Screw, Phi Pan Hd. (M3x4)	See Note 3			
69	*Screw, Phi Pan Hd. (M3x5)	See Note 3			
70	*Ring, Retaining (M2.5)	See Note 4			
71	*Ring, Retaining (M3)	See Note 4			
72	*Ring, Retaining (M4)	See Note 4			
73	*Ring, Retaining (M5)	See Note 4			
74	*Ring, Retaining (M6)	See Note 4			
75	*Ring, Retaining (M7)	See Note 4			
76	*Ring, Retaining (M8)	See Note 4			
77	*Ring, Retaining C-Type (M14)	See Note 4			
78	*Bearing, Ball (15x32x9MM)				
79	*Spacer , (8.1x11.5x0.1MM)	29-26235-00			
80	*Washer, (6.5MM)	See Note 3			
81	*Chain, Hook Link	29-25819-00			
	<p>Note 1: Part of Drive Sprocket Gear Kit No. 29-26032-00 All items, 13 per kit.</p> <p>Note 2: Part of Spring Kit No. 29-25882-00 All items, 3 per kit.</p> <p>Note 3: Part of Miscellaneous Hardware Kit No. 29-26052-00 All items, 10 per kit.</p> <p>Note 4: Part of Retaining Rings &amp; Clips Kit No. 29-25883-00 All items, 5 per kit.</p>				

THIS PAGE INTENTIONALLY LEFT BLANK

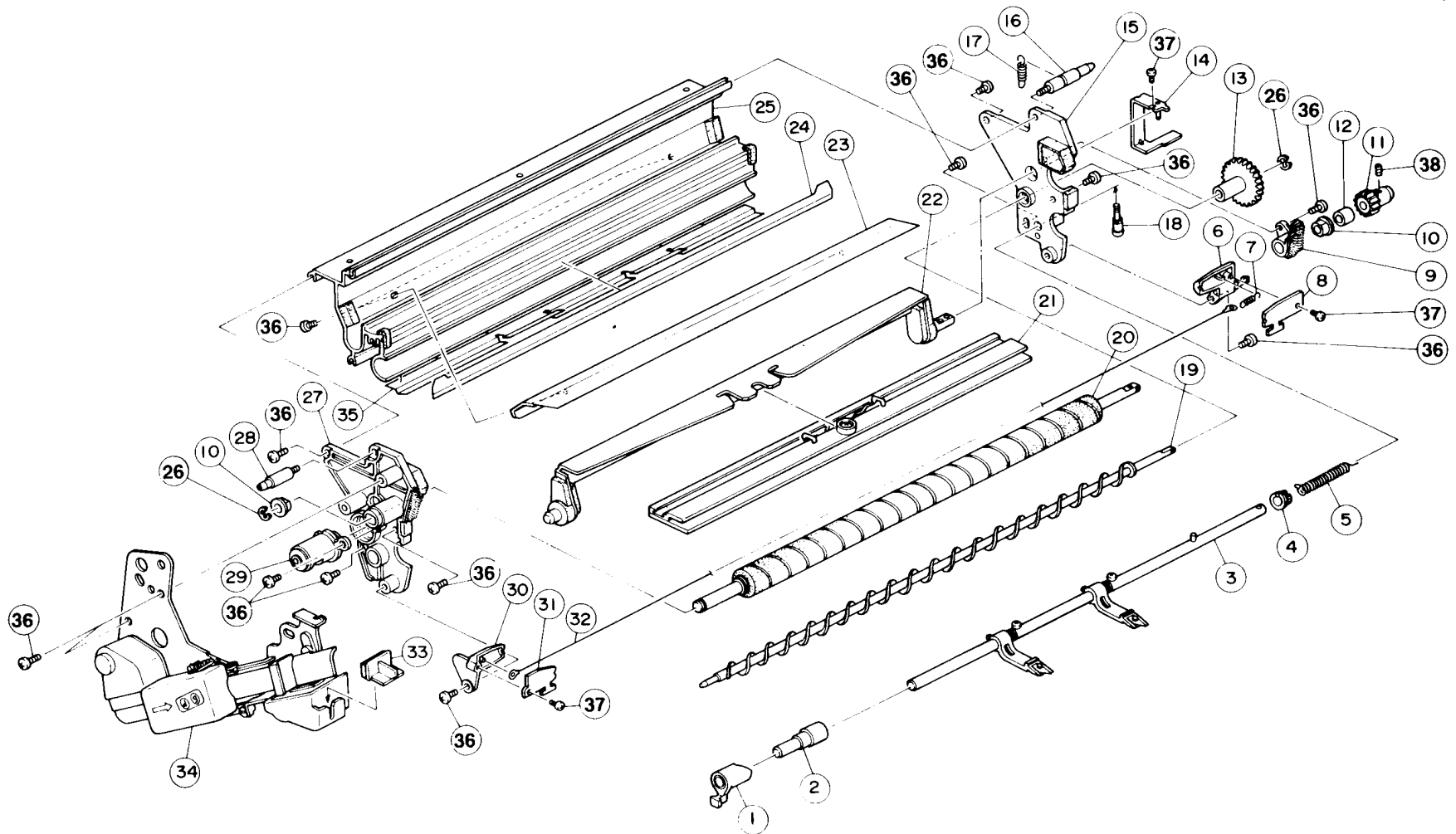
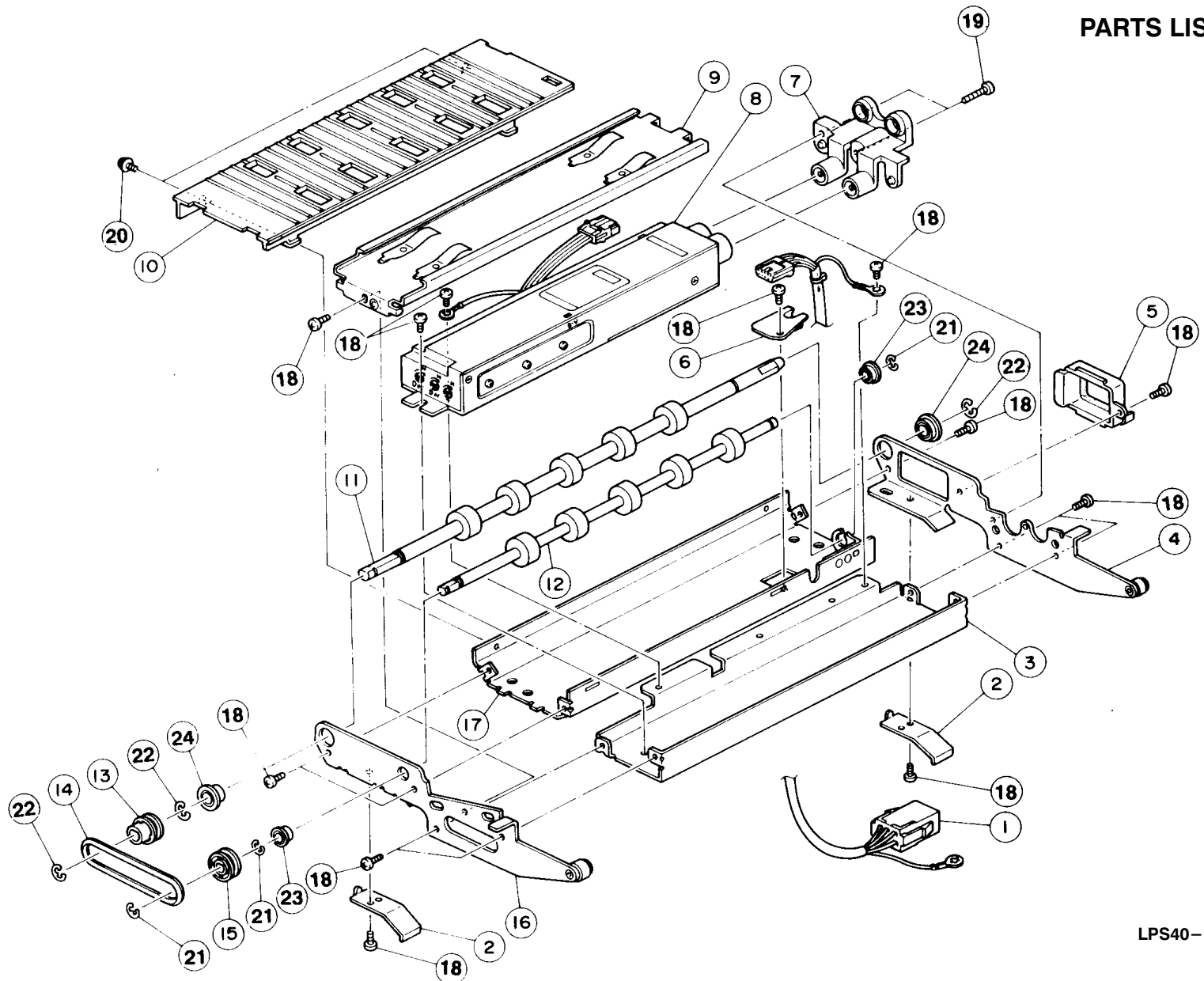


Figure 18. Cleaning Unit, Print Engine

FIG. & ITEM NO.	DESCRIPTION	DEC PART NO.	ECO CUT-IN	USED ON CODE	REF FIG NO.
18-	CLEANING UNIT, PRINT ENGINE	29-25847-00			11
1	*Holder, Cam				
2	*Slider, Cam				
3	*Pawl Assembly, Pick-Off	29-25820-00			
4	*Collar, Spring				
5	*Spring, Pick-Off Pawl Shaft	See Note 1			
6	*Endblock, Rear PCC				
7	*Spring, Corona Wire				
8	*Cover, Rear Endblock PCC				
9	*Holder, Shaft				
10	*Bushing (6x10x6MM)				
11	*Gear, 15T				
12	*Collar, Release Cam				
13	*Gear, Cam 35T				
14	*Arm, Pressure				
15	*Plate, Rear Side Cleaning				
16	*Pin, Rear Guide Cleaning				
17	*Spring, Pressure Arm	See Note 1			
18	*Pin, Pick-Off Pawl Shaft				
19	*Screw, Toner Collecting				
20	*Brush, Cleaning	29-25821-00			
21	*Blade, Cleaning	29-25812-00			
22	*Holder, Cleaning Blade				
23	*Blade, Scraper				
24	*Seal, Entrance				
25	*Casing, Cleaning Unit				
26	*Ring, Retaining (M4)	See Note 3			
27	*Plate, Front Side Cleaning				
28	*Pin, Front Guide Cleaning				
29	*Pipe, Joint				
30	*Endblock, Front PCC				
31	*Cover, Front PCC Endblock				
32	*Wire, PCC Corona	29-25813-00			
33	*Wire, Corona Cleaner	29-25814-00			
34	*Support Assembly, Cleaning				
35	*Seal, PCC				
36	*Screw, Phi Pan Hd. (M4x6)	See Note 2			
37	*Screw, Phi Pan Hd. (M3x5)	See Note 2			
38	*Screw, Hex Headless Set (M4x6)	See Note 2			
	Note 1: Part of Spring Kit No. 29-25882-00 All items, 3 per kit.				
	Note 2: Part of Miscellaneous Hardware Kit No. 29-26052-00 All items, 10 per kit.				
	Note 3: Part of Retaining Rings & Clips Kit No. 29-25883-00 All items, 5 per kit.				

**PARTS LIST**



**Figure 19. Transport Unit, Print Engine**

LPS40-19-SC

FIG. & ITEM NO.	DESCRIPTION	DEC PART NO.	ECO CUT-IN	USED ON CODE	REF FIG NO.
19-	TRANSPORT UNIT, PRINT ENGINE	29-25849-00			11
1	*Cable, Transport				
2	*Spring, Leaf Transport				
3	*Stay, Transport				
4	*Plate, Rear Side Transport				
5	*Duct, Transport	29-26033-00			
6	*Plate, Cable Clamp				
7	*Receptacle, T & D Corona	29-26034-00			
8	*Pack, Power T & D	29-26035-00			
9	*Guide, T & D Corona Assembly				
10	*Plate, Transport Guide				
11	*Roller, Left Transport				
12	*Roller, Right Transport				
13	*Pulley, Drive				
14	*Belt, Rubber	29-25815-00			
15	*Pulley, Right				
16	*Plate, Front Side Transport				
17	*Chamber, Transport				
18	*Screw, Phi Pan Hd. (M4x6)	See Note 1			
19	*Screw, Phi Pan Hd. (M4x12)	See Note 1			
20	*Screw, Phi Hd. W/Flat Washer (M4x6)	See Note 1			
21	*Ring, Retaining (M5)	See Note 2			
22	*Ring, Retaining (M6)	See Note 2			
23	*Bearing, Ball (6x12x4MM)				
24	*Bearing, Ball (8x16x5MM)				
	<p>Note 1: Part of Miscellaneous Hardware Kit No. 29-26052-00 All items, 10 per kit.</p> <p>Note 2: Part of Retaining Rings &amp; Clips Kit No. 29-25883-00 All items, 5 per kit.</p>				

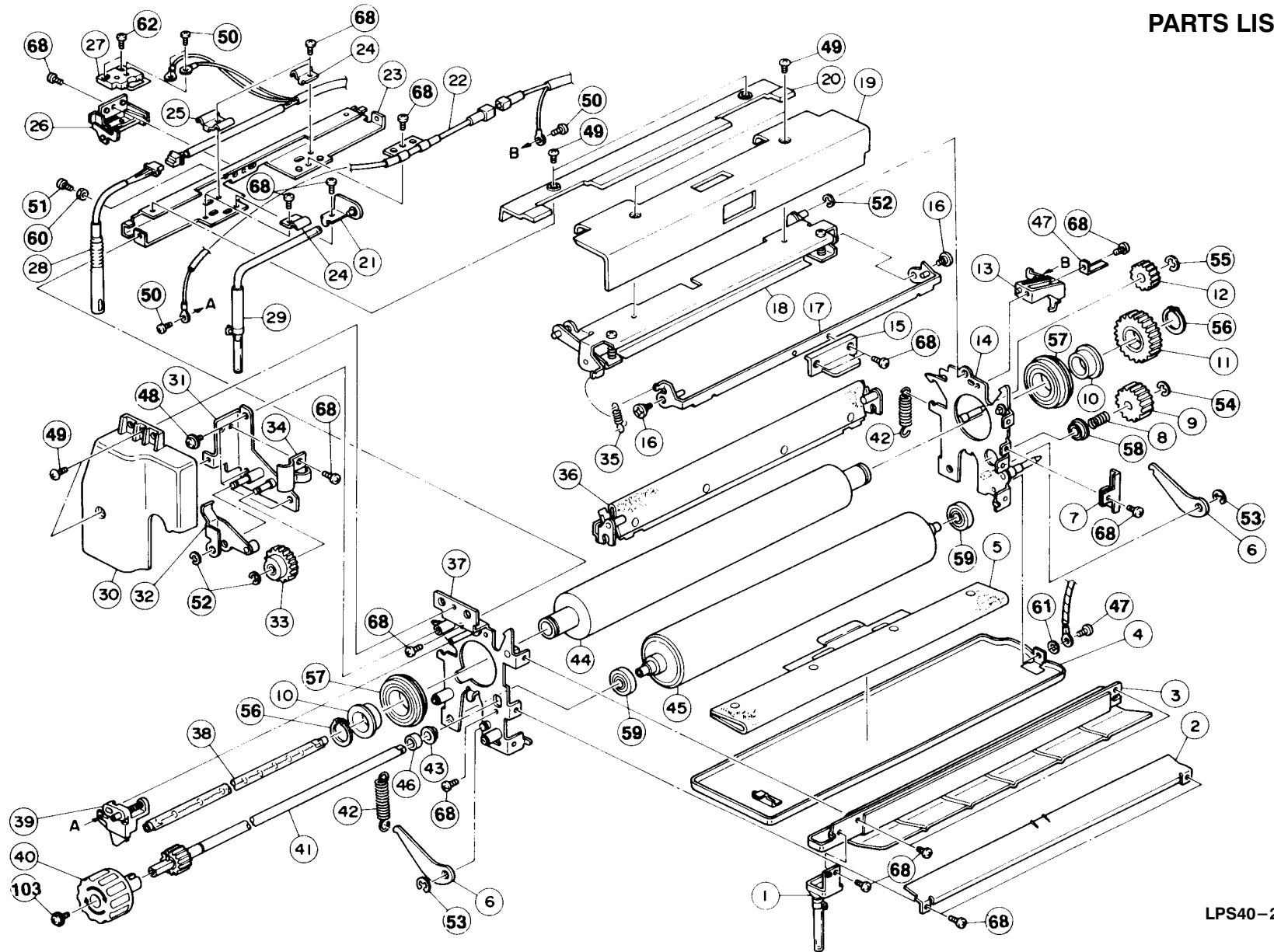
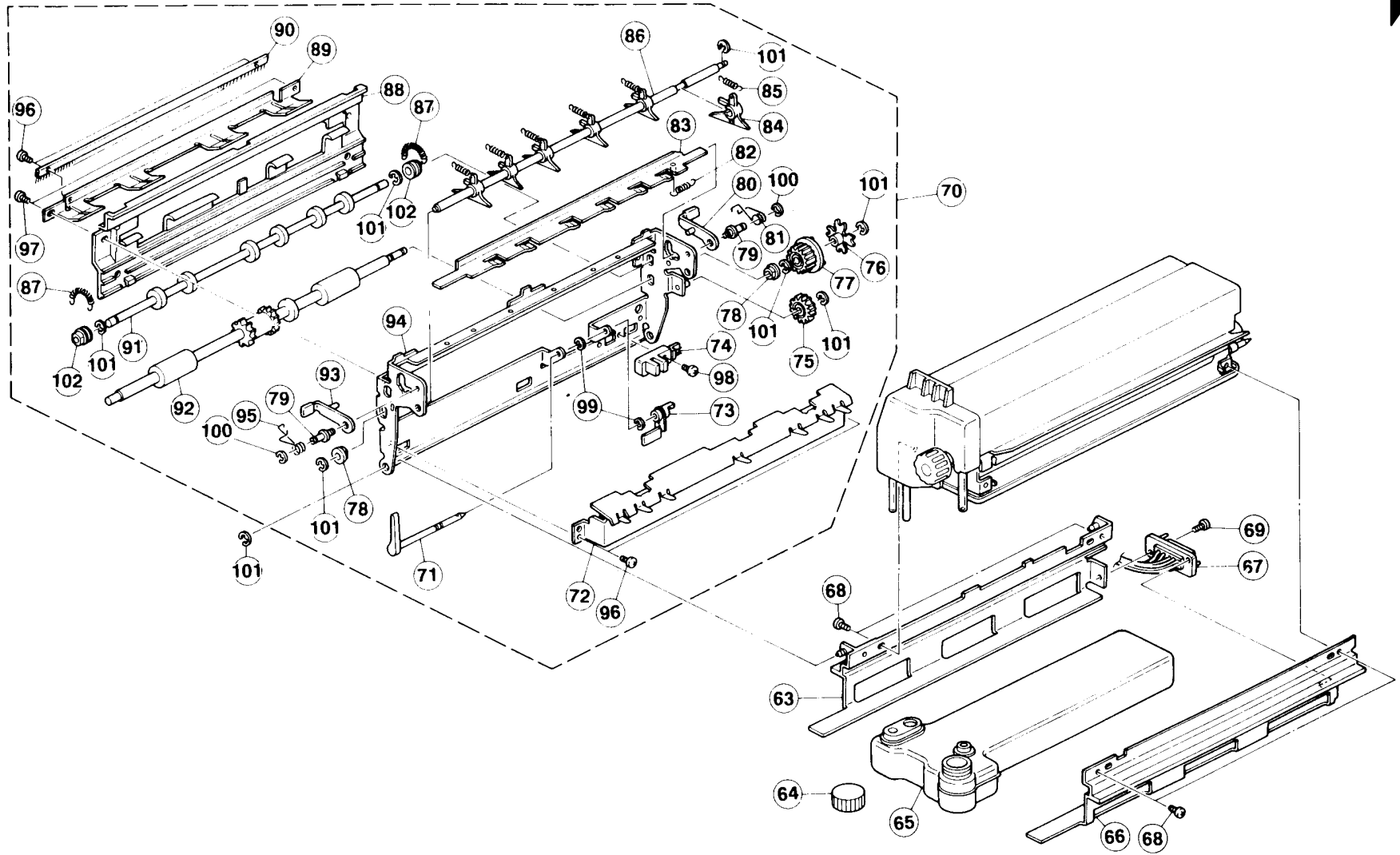


Figure 20. Fusing Unit, Print Engine (Sheet 1 of 2)



LPS40-20A-SC

Figure 20. Fusing Unit, Print Engine (Sheet 2 of 2)



FIG. & ITEM NO.	DESCRIPTION	DEC PART NO.	ECO CUT-IN	USED ON CODE	REF FIG NO.
20-	FUSING UNIT, PRINT ENGINE	29-25848-00			11
1	*Funnel, Oil				
2	*Plate, Entrance Guide				
3	*Sump, Oil				
4	*Pan, Oil				
5	*Pad, Cleaning	29-25816-00			
6	*Lever, Pressure	29-26036-00			
7	*Clamp, Cable				
8	*Spring, Fusing Drive	See Note 1			
9	*Gear, 30T				
10	*Bushing, Hot Roller				
11	*Gear, 40T				
12	*Gear, 18T				
13	*Socket, Rear Heater	29-25807-00			
14	*Plate, Rear Side Fusing				
15	*Cover, Upper Handle				
16	*Screw, Stepped				
17	*Cover, Upper Lock Lever				
18	*Cover, Upper Frame				
19	*Cover, Large Upper Fusing				
20	*Cover, Small Upper Fusing				
21	*Bracket, Oil Pipe				
22	*Cable, Temperature Fuse	29-25808-00			
23	*Bracket, Upper				
24	*Clamp, Cord DC				
25	*Clamp, Cord AC				
26	*Bracket, Thermistor				
27	*Thermistor, Fusing	29-25809-00			
28	*Sensor, Oil End	29-25810-00			
29	*Pipe, Oil				
30	*Cover, Front Fusing				
31	*Bracket, Oil Supply				
32	*Actuator, Oil Pump	29-26037-00			
33	*Gear, Eccentric Oil Pump				
34	*Holder, Oil Pipe				
35	*Spring, Upper Cover				
36	*Pad, Oil	29-25811-00			
37	*Plate, Front Side Fusing				
38	*Heater, Fusing 120V, 900W				
	*Heater, Fusing 230V, 900W	29-25852-00			
39	*Socket, Front Heater	29-25853-00			

FIG. & ITEM NO.	DESCRIPTION	DEC PART NO.	ECO CUT-IN	USED ON CODE	REF FIG NO.
20-					
40	*Knob, Fusing				
41	*Shaft, Drive Fusing				
42	*Spring, Pressure	See Note 1			
43	*Bushing, (8M)	29-27616-01			
44	*Roller, Hot	29-26038-00			
45	*Roller, Pressure	29-26039-00			
46	*Collar, Drive Shaft				
47	*Holder, Rear Heater Socket				
48	*Screw, Phi Hd. W/Flat Washer (M4x6)	See Note 2			
49	*Screw, Phi Truss Hd. (M4x6)	See Note 2			
50	*Screw, Phi Pan Hd. (M3x5)	See Note 2			
51	*Screw, Phi Pan Hd. (M4x8)	See Note 2			
52	*Ring, Retaining (M4)	See Note 3			
53	*Ring, Retaining (M5)	See Note 3			
54	*Ring, Retaining (M6)	See Note 3			
55	*Ring, Retaining (M7)	See Note 3			
56	*Ring, Retaining C-Type	See Note 3			
57	*Bearing, Ball (25x42x9MM)				
58	*Bearing, Ball (8x16x5MM)	29-27615-01			
59	*Bearing, Ball (8x22x7MM)				
60	*Nut, Hex (M4)	See Note 2			
61	*Washer, Toothed (M4)	See Note 2			
62	*Screw, Phi Pan Hd. (M4x6)	See Note 2			
63	*Frame, Left Fusing				
64	*Cap, Oil Tank				
65	*Tank, Oil				
66	*Frame, Right Fusing				
67	*Cable, W/Connector Fusing				
68	*Screw, Phi Pan Hd. (M4x6)	See Note 2			
69	*Screw, Phi Pan Hd. (M4x8)	See Note 2			
70	*EXIT ASSEMBLY, PAPER	29-25854-00			
71	**Feeler, Jam Detection				
72	**Bracket Assembly, Guide				
73	**Shutter, Jam Detection				
74	**Sensor, LED Type S				
75	**Gear, 20T				
76	**Clutch, Slip				
77	**Gear, 19T				
78	**Bushing (6x10x6MM)				
79	**Stud, Exit Assembly Release Lever				

FIG. & ITEM NO.	DESCRIPTION	DEC PART NO.	ECO CUT-IN	USED ON CODE	REF FIG NO.
20-					
80	**Lever, Rear Release Assembly Exit				
81	**Spring, Rear Release Lever	See Note 1			
82	**Spring, Separation Pawl, Release Plate	See Note 1			
83	**Plate, Separation Pawl Release				
84	**Pawl, Separation	29-25855-00			
85	**Spring, Separation Pawl				
86	**Shaft, Separation Pawl				
87	**Spring, Pressure Exit Roller	See Note 1			
88	**Cover, Exit Assembly				
89	**Guide, Upper Paper Exit				
90	**Brush, Anti-Static	29-25856-00			
91	**Roller, Upper Exit				
92	**Roller, Lower Exit				
93	**Lever, Front Release Exit Assembly				
94	**Frame, Exit Assembly				
95	**Spring, Front Release Lever				
96	**Screw, Tapping (M4x6)				
97	**Screw, Tapping (M4x8)	See Note 2			
98	**Screw, Phi Pan Hd. (M4x10)	See Note 2			
99	**Ring, Retaining (M3)	See Note 3			
100	**Ring, Retaining (M4)	See Note 3			
101	**Ring, Retaining (M5)	See Note 3			
102	**Bushing (6x10x8MM)				
103	*Screw, Phi Pan Hd w/Flat Washer (M4x10)				
	Note 1: Part of Spring Kit No. 29-25882-00 All items, 3 per kit.				
	Note 2: Part of Miscellaneous Hardware Kit No. 29-26052-00 All items, 10 per kit.				
	Note 3: Part of Retaining Rings & Clips Kit No. 29-25883-00 All items, 5 per kit.				

THIS PAGE INTENTIONALLY LEFT BLANK

PARTS LIST

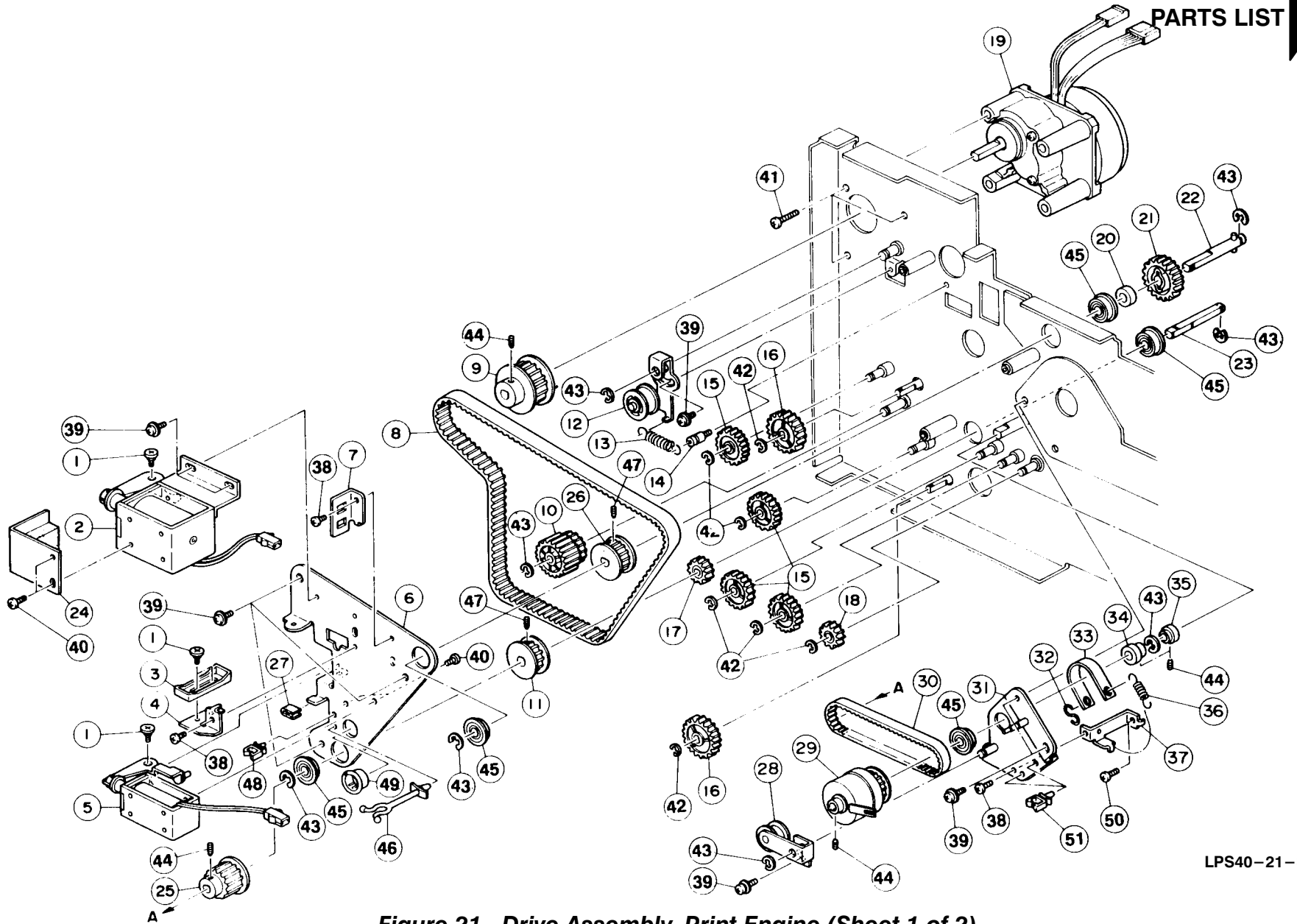


Figure 21. Drive Assembly, Print Engine (Sheet 1 of 2)

LPS40-21-SC

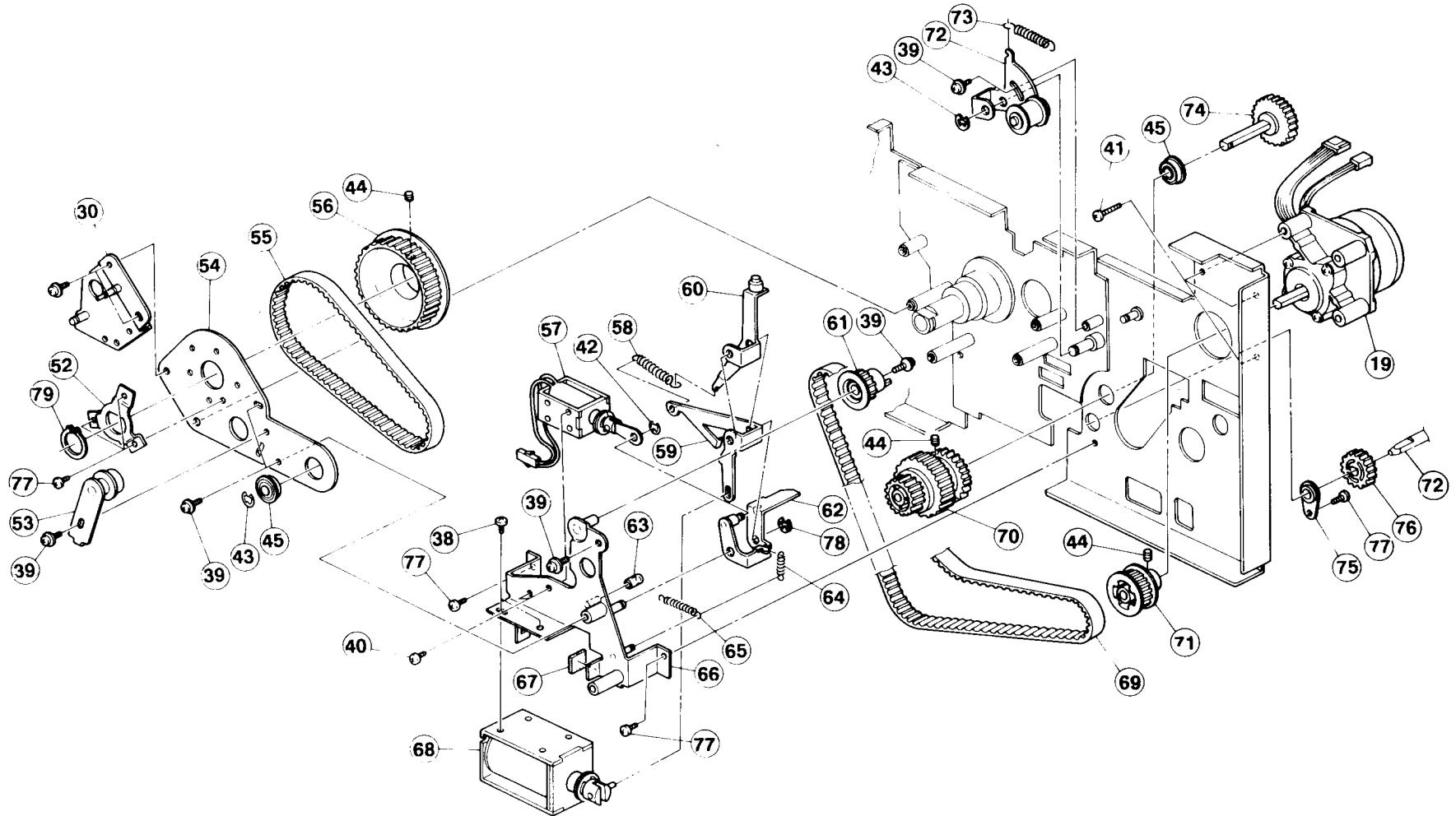


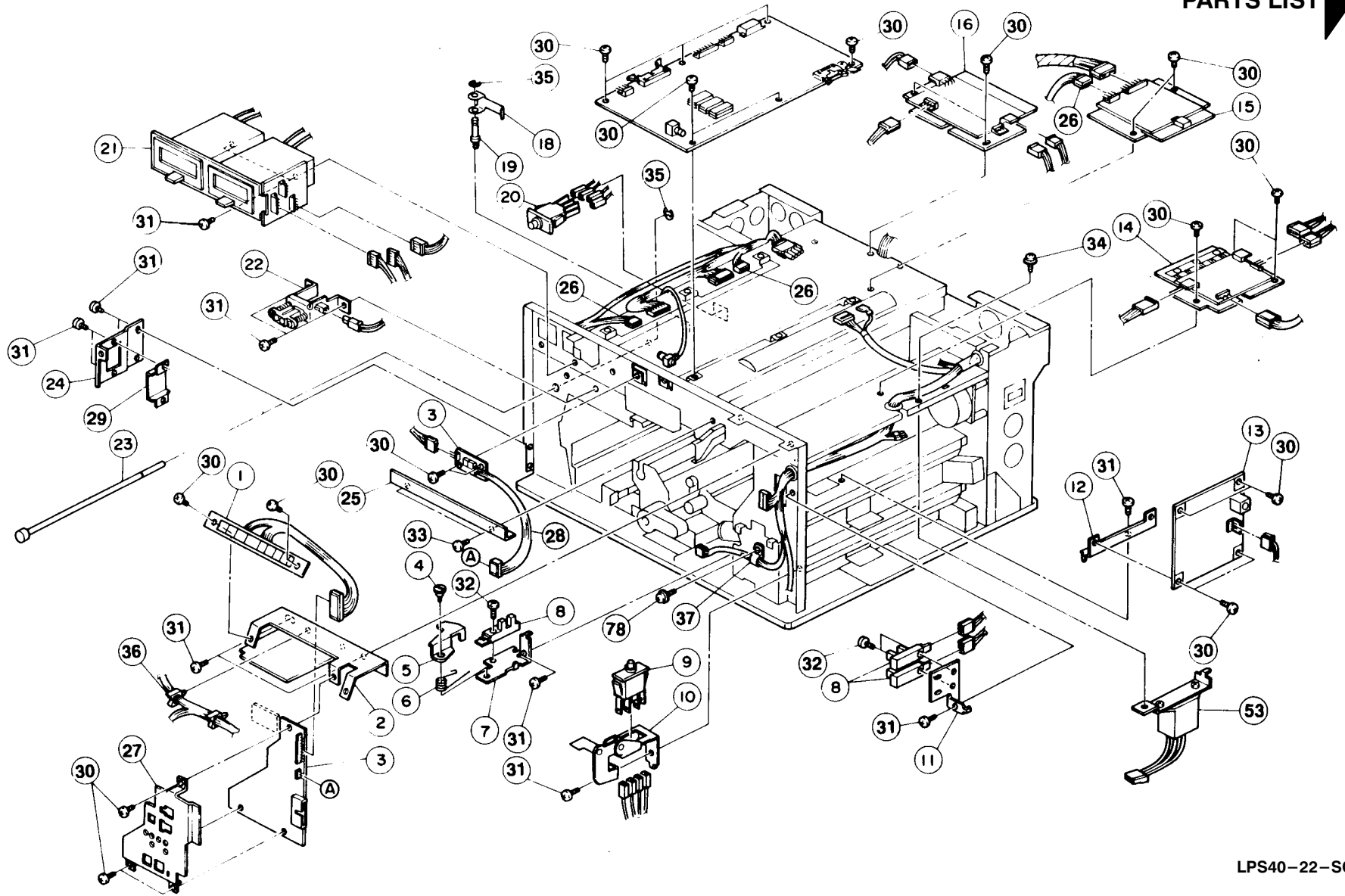
Figure 21. Drive Assembly, Print Engine (Sheet 2 of 2)

FIG. & ITEM NO.	DESCRIPTION	DEC PART NO.	ECO CUT-IN	USED ON CODE	REF FIG NO.
21-	DRIVE ASSEMBLY, PRINT ENGINE	N/A			
1	*Screw, Stepping (M4)				
2	*Solenoid, Toner Replenishment	29-26272-00			
3	*Plate, Slider Development Shutter				
4	*Bracket, Slider Plate				
5	*Solenoid, Developer Replacement	29-25857-00			
6	*Bracket, Development Solenoid				
7	*Holder, Connector Development Solenoid				
8	*Belt, Development Drive	29-25912-00			
9	*Pulley, Motor 24STS	See Note 1			
10	*Gear, Pulley 22STS, 28T	See Note 1			
11	*Pulley, 16STS	See Note 1			
12	*Belt, Tightener Development Drive	See Note 1			
13	*Spring, Cleaning Blade	See Note 2			
14	*Spring, Anchor (M5x6)				
15	*Gear, Idle 24T	See Note 1			
16	*Gear, Separation Roller Drive	See Note 1			
17	*Gear, 16T	See Note 1			
18	*Gear, Relay Roller Drive	See Note 1			
19	*Motor, Main 30V, 43W	29-25858-00			
20	*Collar, Development Drive Shaft	See Note 1			
21	*Gear, Development Drive	See Note 1			
22	*Shaft, Development Drive	See Note 1			
23	*Shaft, Relay Roller Drive				
24	*Plate, Damper				
25	*Pulley, 12XL	See Note 1			
26	*Pulley, 18STS	See Note 1			
27	*Stopper, Rubber				
28	*Idler, Registration Belt	29-26289-00			
29	*Clutch, Magnetic Registration Drive	See Note 5			
30	*Belt, Timing 90XL	29-26288-00			
31	*Bracket, Registration Drive				
32	*Hook, S-Hook				
33	*Brake, Registration Roller	See Note 5			
34	*Brake, Registration Boss				
35	*Collar, Shaft Fixing				
36	*Spring, Brake	See Note 5			
37	*Bracket, Brake				
38	*Screw, Phi Pan Hd. (M4x6)	See Note 3			
39	*Screw, Phi w1/Flat Washer (M4x6)	See Note 3			
40	*Screw, Phi Pan Hd. (M3x5)	See Note 3			
41	*Screw, (M5x20)	See Note 3			
42	*Ring, Retaining (M4)	See Note 4			
43	*Ring, Retaining (M6)	See Note 4			
44	*Screw, Hex Headless Set (M5x5)	See Note 3			

FIG. & ITEM NO.	DESCRIPTION	DEC PART NO.	ECO CUT-IN	USED ON CODE	REF FIG NO.
21-					
45	*Bearing, Ball (8x16x5MM)	See Note 1			
46	*Clip, Long Cable (5.2MM)				
47	*Screw, Hex Headless Set (M4x4)	See Note 3			
48	*Clip, Wire				
49	*Bushing, (11.5MM)				
50	*Screw, Phi Tapping (M4x8)				
51	*Saddle, Wire				
52	*Holder, Drum Shaft				
53	*Tightener, Drum Drive Belt	29-26041-00			
54	*Bracket, Drum Drive				
55	*Belt, Drive Drum	29-25859-00			
56	*Pulley, Drum	See Note 1			
57	*Solenoid, Separation Pawl	29-25860-00			
58	*Spring, Cleaning Blade				
59	*Lever, Blade Solenoid				
60	*Lever, Pressure Blade Solenoid				
61	*Pulley, 16XL	See Note 1			
62	*Lever, Separation Pawl Solenoid				
63	*Tube, Rubber				
64	*Spring, Release Solenoid	See Note 2			
65	*Spring, Solenoid	See Note 2			
66	*Bracket, Cleaning/Fusing Drive				
67	*Cushion, Rubber				
68	*Blade, Solenoid Cleaning	29-25861-00			
69	*Belt, Drive Cleaning/Fusing	29-25862-00			
70	*Gear, Pulley 40Z	See Note 1			
71	*Pulley, Motor 24XL	See Note 1			
72	*Tightener, Cleaning/Fusing Drive Belt	See Note 1			
73	*Spring, Mirror Drive	See Note 2			
74	*Shaft Assembly, Gear Pulley				
75	*Supporter, Shaft Transport Roller	29-27277-01			
76	*Gear, 17T, Transport	See Note 1			
77	*Screw, Phi Self Tap (M4 x 6)				
78	*Retaining Ring (M5)				
79	*Ring, Retaining C-Type (M16)				
	<p>Note 1: Part of Main Drive Gear &amp; Pulley Kit No. 29-26040-00 All items, 20 per kit.</p> <p>Note 2: Part of Spring Kit No. 29-25882-00 All items, 3 per kit.</p> <p>Note 3: Part of Miscellaneous Hardware Kit No. 29-26052-00 All items, 10 per kit.</p> <p>Note 4: Part of Retaining Rings &amp; Clips Kit No. 29-25883-00 All items, 5 per kit.</p> <p>Note 5: Part of Registration Brake Kit, No. 29-26600-00.</p>				

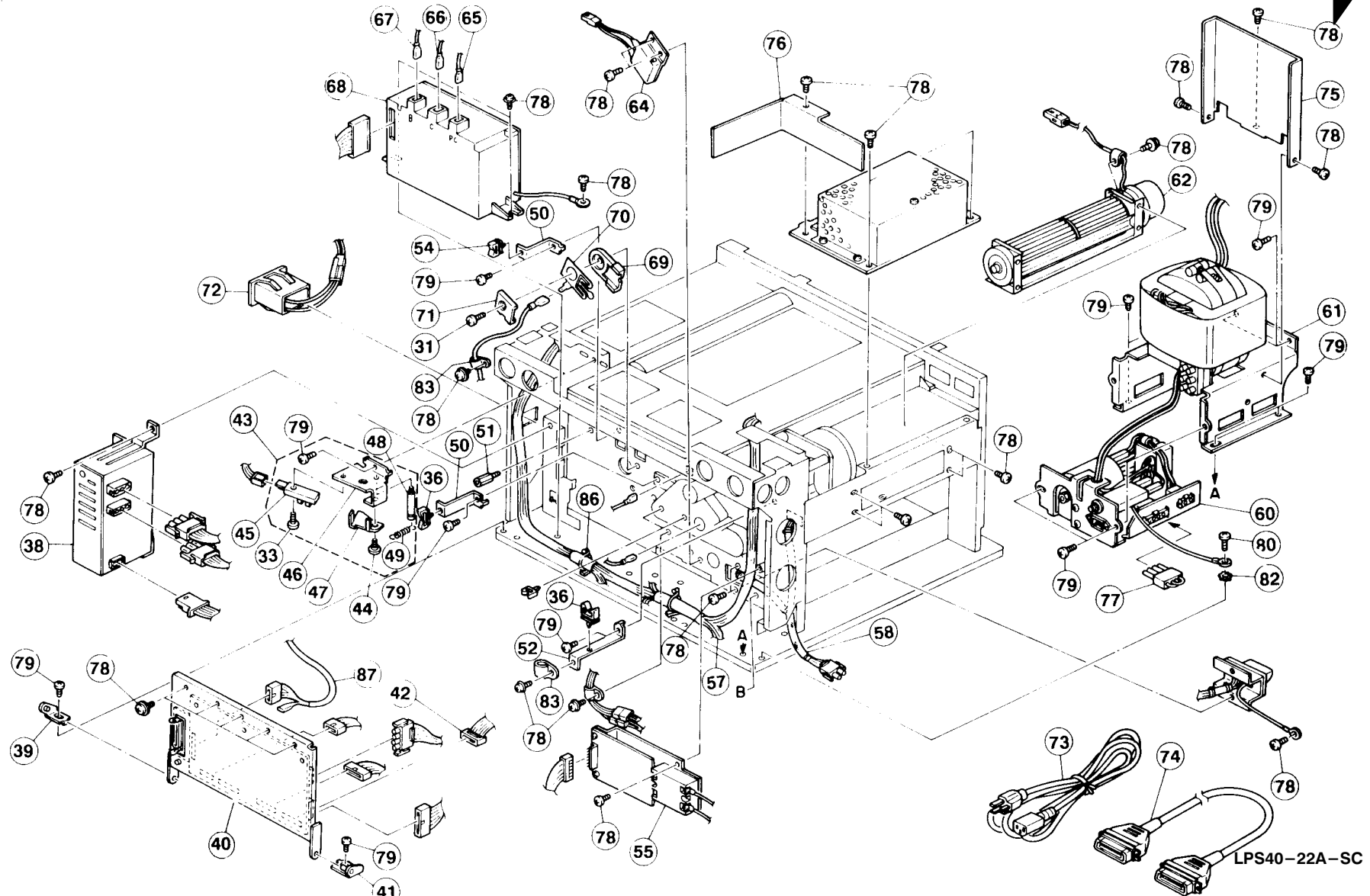


**PARTS LIST**



**Figure 22. Electrical Assembly, Print Engine (Sheet 1 of 2)**

**PARTS LIST**



**Figure 22. Electrical Assembly, Print Engine (Sheet 2 of 2)**

FIG. & ITEM NO.	DESCRIPTION	DEC PART NO.	ECO CUT-IN	USED ON CODE	REF FIG NO.
22-	ELECTRICAL ASSEMBLY, PRINT ENGINE	N/A			1,1A
1	*Panel, Indicator PCB	29-25863-00			
2	*Bracket, Indicator Panel				
3	*Panel, Operation PCB	29-25864-00			
4	*Screw, Stepping, (M4)	See Note 1			
5	*Actuator, Bottle Sensor				
6	*Spring, Bottle Sensor	See Note 3			
7	*Bracket, Bottle Sensor				
8	*Sensor, LED Type S	29-25846-00			
9	*Switch, Push AC	29-25865-00			
10	*Bracket, Front Cover Switch	29-26042-00			
11	*Bracket, Cartridge Sensor				
12	*Bracket, Toner Density, PCB				
13	*Module, Toner Density Control	29-25866-00			
14	*Module, Development Motor Drive	29-25867-00			
15	*Module, Polygon Motor Drive	29-25868-00			
16	*Module, Main Motor Drive	29-25869-00			
17	*Module, Video Control				
18	*Lever, Fusing Safety Switch	29-26043-00			
19	*Shaft, Lever				
20	*Switch, Push Heater	29-25871-00			
21	*Counter, Maintenance	29-25872-00			
22	*Switch, Inter-Lock 2P	29-25873-00			
23	*Shaft, Fusing Safety Switch				
24	*Bracket, Main Switch				
25	*Cover, Service Panel				
26	*Cable, Relay Video Board				
27	*Plate, Shield Indicator				
28	*Cable, Service Panel				
29	*Plate, Blind Main Switch				
30	*Screw, Phi Pan Hd. (M4x6)	See Note 1			
31	*Screw, Phi Tapping (M4x8)	See Note 1			
32	*Screw, Phi Pan Hd. (M4x10)	See Note 1			
33	*Screw, Phi Truss Hd. (M4x6)	See Note 1			
34	*Screw, Phi w/Flat Washer (M4x6)	See Note 1			
35	*Ring, Retaining (M3)	See Note 2			
36	*Wire, Saddle (WS-2NS)				
37	*Clip, Nylon 3N	See Note 2			
38	*Stabilizer, Lamp	29-25874-00			
39	*Fulcrum, Left Pin				
40	*Module, Sequence Control	29-25875-00			
41	*Fulcrum, Right Pin				
42	*Cable, Video Control				

FIG. & ITEM NO.	DESCRIPTION	DEC PART NO.	ECO CUT-IN	USED ON CODE	REF FIG NO.
22-					
43	*SENSOR ASSEMBLY, HOME POSITION				
44	**Screw, Shutter Stepping				
45	**Sensor, LED Type S	29-25846-00			
46	**Bracket, Home Position Sensor				
47	**Actuator, Home Position Sensor	29-26044-00			
48	**Spring, Anchor				
49	**Spring, Belt	See Note 3			
50	*Bracket, Saddle Clamp 40				
51	*Stud, Cord Clamp A				
52	*Bracket, Cord Clamp 70				
53	*Cover, Open Relay	29-26287-00			
54	*Saddle, Wire				
55	*Controller, Fusing Temperature	29-25913-00			
56	*Cable, Stack Over Sensor (deleted)				
57	*Harness, DC Main				
58	*Harness, AC Main				
59	*Sensor, Stack Over	29-26046-00			
60	*Input Assembly, AC 220/240V	29-26047-00			
61	*Transformer, 220/240V	29-27586-01			
62	*Fan, Fusing	29-25876-00			
63	*Power Supply Unit, DC	29-25877-00			
64	*Switch, Transport Unit	29-25878-00			
65	*Cable, High Voltage PCC	See Note 4			
66	*Cable, High Voltage Charge	See Note 4			
67	*Cable, High Voltage Bias	See Note 4			
68	*Pack, Power B/C/PCC	29-25879-00			
69	*Holder, Bias Terminal				
70	*Terminal, Bias	29-26049-00			
71	*Cover, Bias Terminal				
72	*Counter, Total	29-25880-00			
73	*Cord, AC Power (US)	29-26269-00			
	*Cord, AC Power (Europe)	29-26279-00			
74	*Cable, Printer I/F Data DC	29-26283-00			
75	*Plate, Shield Transformer				
76	*Plate, Shield Fusing Fan				
77	*Plug, Short Transformer				
78	*Screw, Phi Pan Hd. (M4x6)	See Note 1			
79	*Screw, Phi Pan Hd. (M4x8)	See Note 1			
80	*Screw, Phi Pan Hd. (M5x8)	See Note 1			
81	*Screw, Knob (M4x6.5)	See Note 1			
82	*Washer, (5MM)	See Note 1			
83	*Clip, Nylon 2N	See Note 2			

FIG. & ITEM NO.	DESCRIPTION	DEC PART NO.	ECO CUT-IN	USED ON CODE	REF FIG NO.
22- 84 85 86 87	*Clip,Nylon 4N *Clip,Cable (11.5MM) *Clip,Cable (16MM) *Cable Assembly, Video Signal  <b>Note 1: Part of Miscellaneous Hardware Kit</b> No. 29-26052-00 All items, 10 per kit. <b>Note 2: Part of Retaining Rings &amp; Clips Kit</b> No. 29-25883-00 All items, 5 per kit. <b>Note 3: Part of Spring Kit</b> No. 29-25882-00 All items, 3 per kit. <b>Note 4: Part of High Voltage Cable Kit</b> No. 29-26048-00 All items, 3 per kit.	See Note 2			

THIS PAGE INTENTIONALLY LEFT BLANK

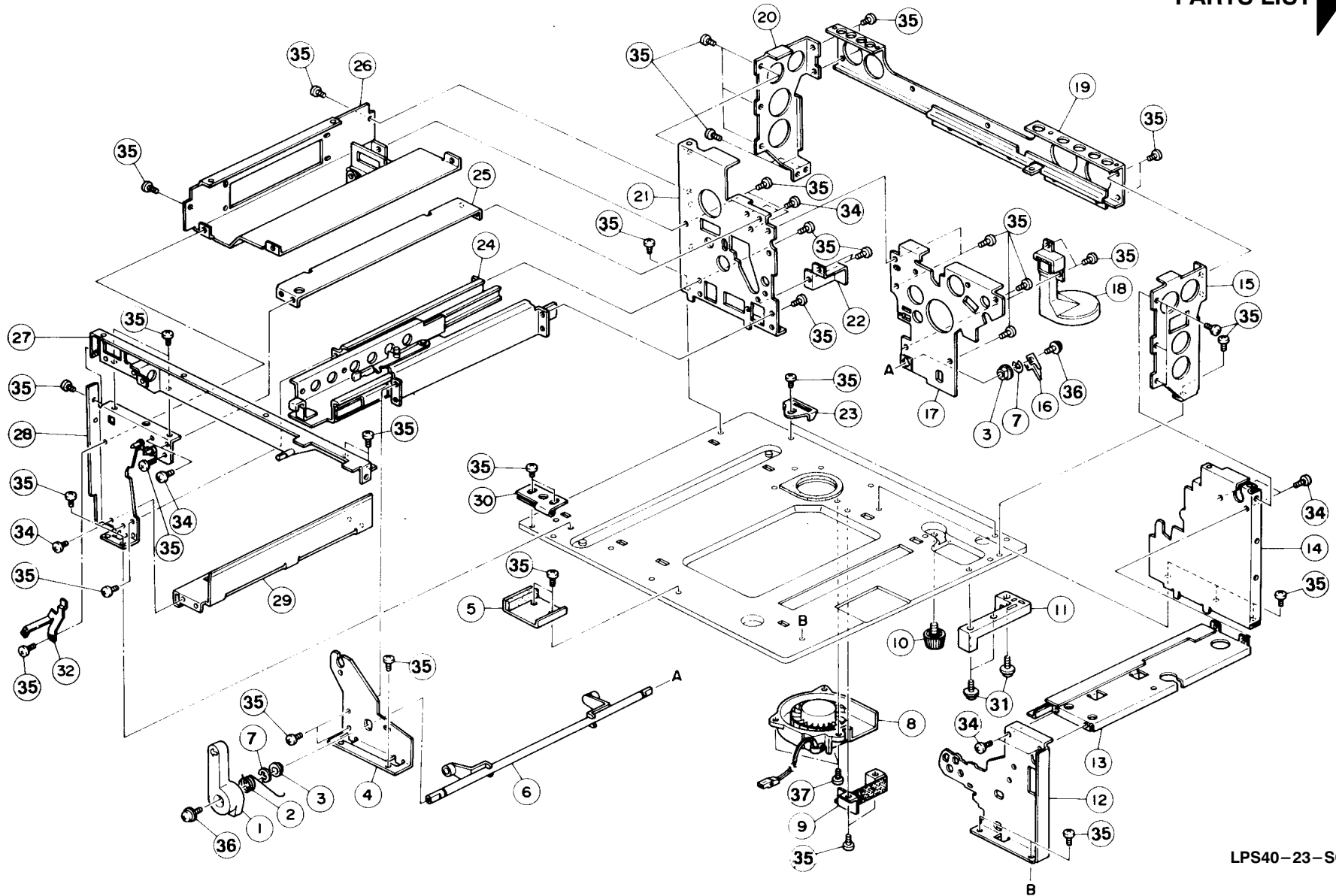


Figure 23. Chassis/Bracket, Print Engine

LPS40-23-SC

FIG. & ITEM NO.	DESCRIPTION	DEC PART NO.	ECO CUT-IN	USED ON CODE	REF FIG NO.
23-	CHASSIS/BRACKET, PRINT ENGINE	N/A			1,1A
1	*Lever, Release Transport	29-26871-00			
2	*Spring, Transport Release	See Note 1			
3	*Bushing, (8MM)	29-27616-01			
4	*Plate, Side Transport				
5	*Bracket, Collection Bottle				
6	*Shaft, Transport Unit Lock				
7	*Ring, Retaining	See Note 3			
8	*Fan, Vacuum	29-25881-00			
9	*Cover, Vacuum Fan				
10	*Foot, Rubber				
11	*Base, Grip				
12	*Plate, Side Feed, Front				
13	*Guide, Development				
14	*Plate, Side Feed, Rear				
15	*Bracket, Right Rear				
16	*Actuator, Transport Switch	29-26050-00			
17	*Plate, Side Drum Rear				
18	*Duct, Vacuum Fan	29-26051-00			
19	*Bracket, Upper Rear				
20	*Bracket, Left Rear				
21	*Plate, Side Fusing Rear				
22	*Cover, Fusing Slider				
23	*Bracket, Rear Cover				
24	*Fusing Unit, Slider				
25	*Stay, Fusing Upper				
26	*Bracket, Exit				
27	*Stay, Front Upper				
28	*Plate, Side Fusing				
29	*Bracket, Exit Tray				
30	*Hinge, Front Cover				
31	*Screw, Phl w/Flat Washer (M4x12)	See Note 2			
32	*Bracket, Left Inner Cover				
33	*Bracket, Release Lever Stopper				
34	*Screw, Phl Pan Hd. (M4x6)	See Note 2			
35	*Screw, Phl Tapping (M4x8)	See Note 2			
36	*Screw, Phl w/Flat Washer (M4x6)	See Note 2			
37	*Screw, Phl Pan Hd. (M4x14)	See Note 2			
	Note 1: Part of Spring Kit No. 29-25882-00 - All items, 3 per kit.				
	Note 2: Part of Miscellaneous Hardware Kit No. 29-26052-00 All items, 10 per kit.				
	Note 3: Part of Retaining Rings & Clips Kit No. 29-25883-00 - All items, 5 per kit.				



# US VERSION AS SHOWN

# PARTS LIST

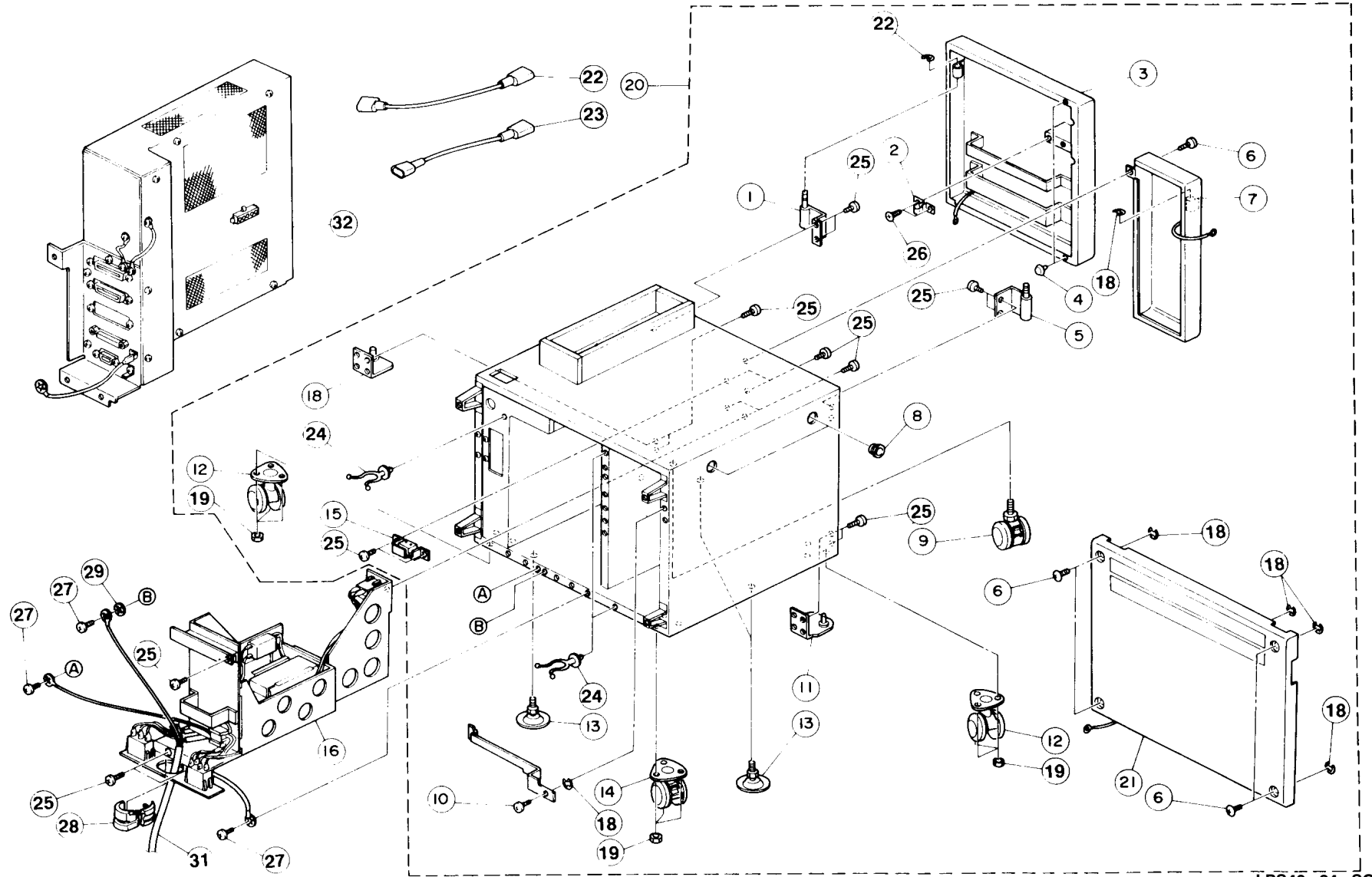
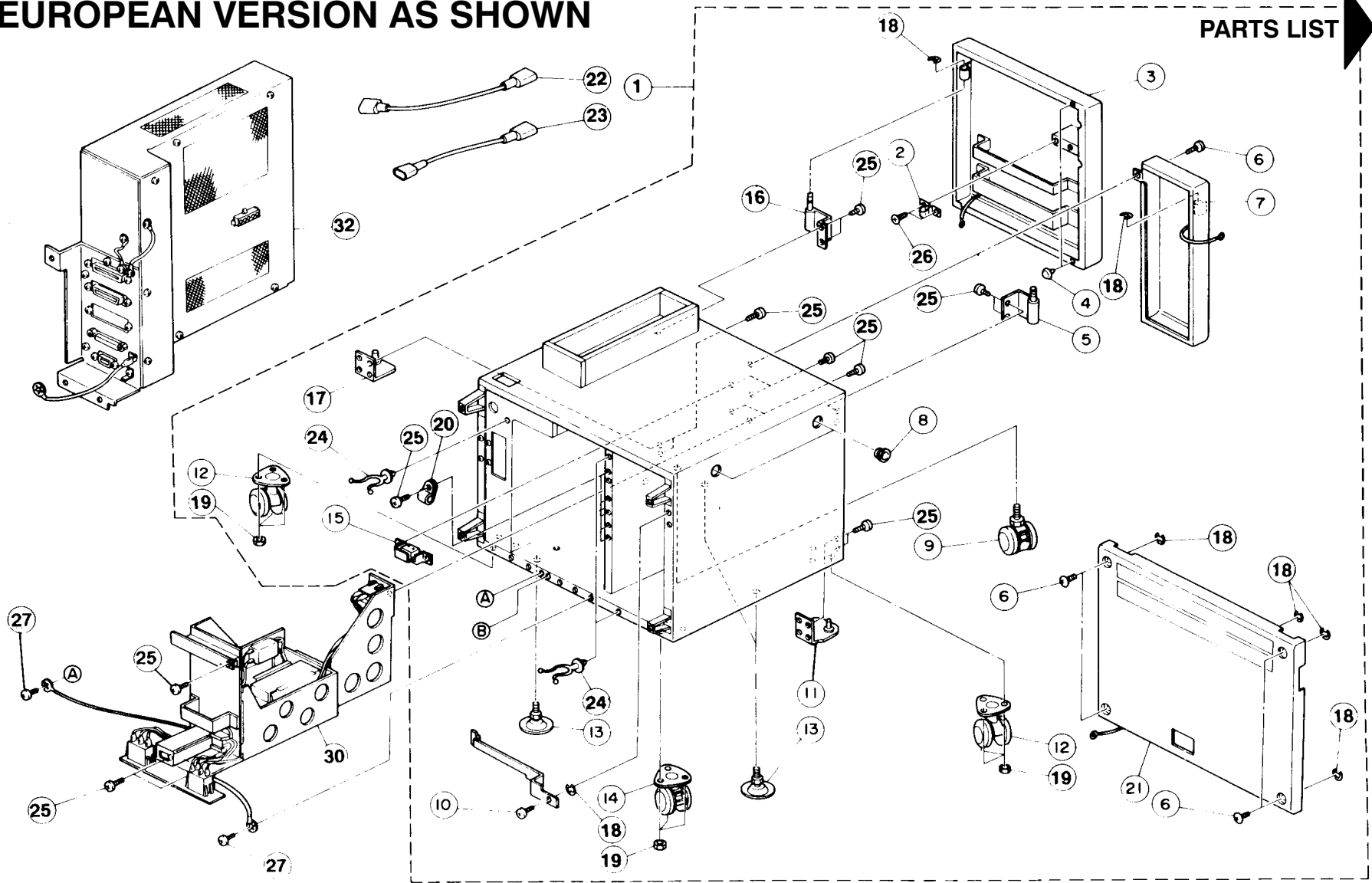


Figure 24. Unit Component, System Cabinet (Sheet 1 of 2)

LPS40-24-SC

# EUROPEAN VERSION AS SHOWN

## PARTS LIST



LPS40-24A-SC

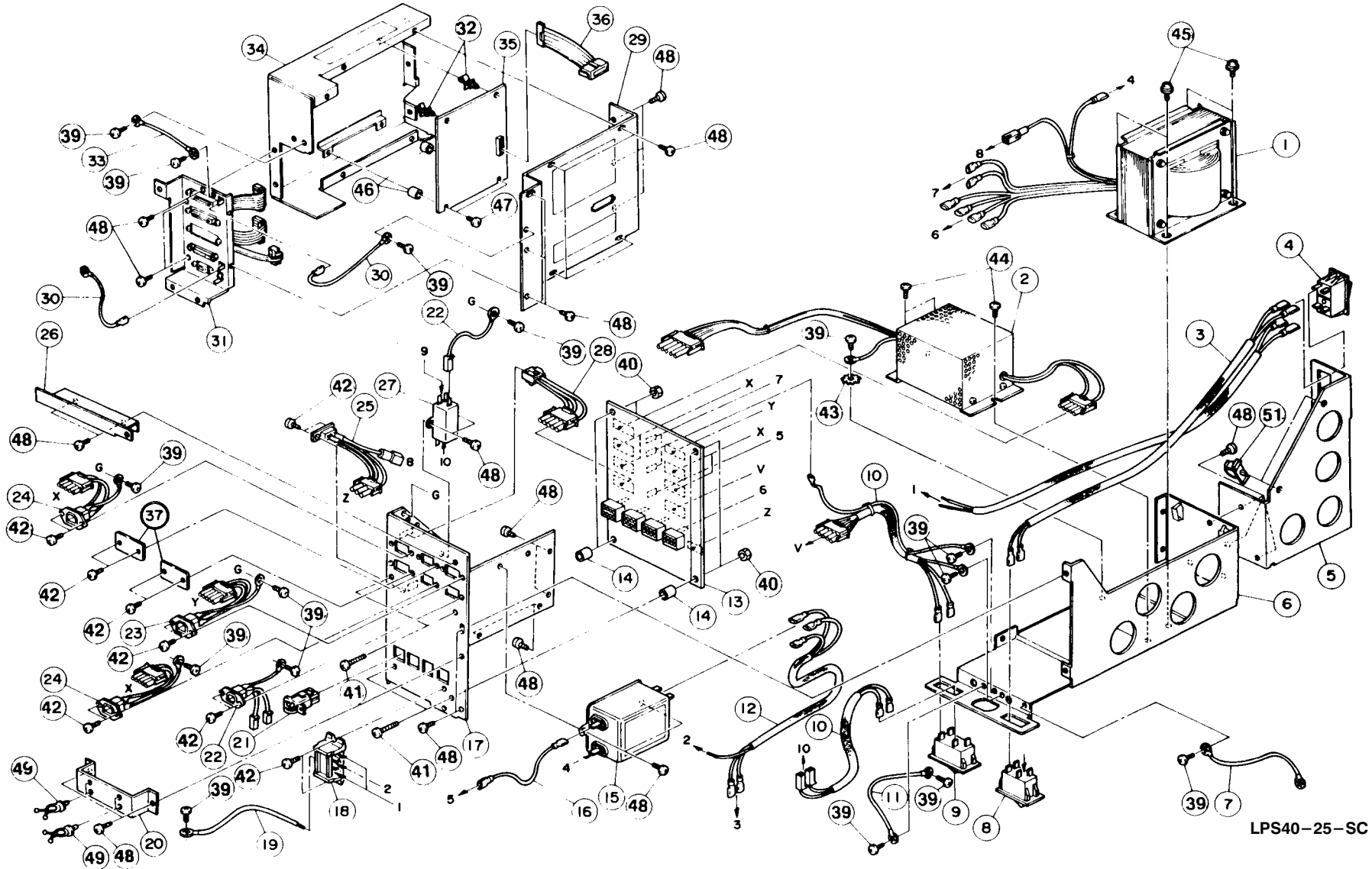
Figure 24. Unit Component, System Cabinet (Sheet 2 of 2)

FIG. & ITEM NO.	DESCRIPTION	DEC PART NO.	ECO CUT-IN	USED ON CODE	REF FIG NO.
24-	UNIT COMPONENTS, SYSTEM CABINET	N/A			1,1A
1	*TABLE ASSEMBLY				
2	**Catch, Door				
3	**Door, Front Right	29-26353-00			
4	**Bumper, Rubber Door				
5	**Hinge, Right Upper Door				
6	**Screw, Cover				
7	**Door, Front Left	29-26354-00			
8	**Plug, Rubber				
9	**Caster, w/Lock Adjustable				
10	**Screw, Control Bracket				
11	**Hinge, Left Lower Door				
12	**Caster				
13	**Stand, Adjustable				
14	**Caster, W/Lock				
15	**Latch, Door	29-26355-00			
16	**Hinge, Right Upper Door				
17	**Hinge, Right Lower Door				
18	**Ring, Retaining (M4)	See Note 2			
19	**Nut, Hex (M5)				
20	**Clip, Nylon				
21	**Cover, Rear	29-26347-00			
22	*Cable, VT Power (US)	29-26276-00			
	*Cable, VT Power (International)	29-26277-00			
23	*Cord, Power (MicroVAX)	29-26282-00			
24	*Clip, Cable (20MM)				
25	*Screw, Phi Pan Hd. (M4x6)	See Note 1			
26	*Screw, Phi Counter Sunk Hd. (M3x4)				
27	*Screw, Phi Pan Hd. (M5x8)	See Note 1			
28	*Bushing, Power Cable (US)				
29	*Washer, Lock (M5)				
30	*Power Supply Unit	29-26356-00			
31	*Cable Assembly, AC Power Switch	29-25885-00			
32	*Controller Unit, Device				
	<p>Note 1: Part of Miscellaneous Hardware Kit No. 29-26052-00 All items, 10 per kit.</p> <p>Note 2: Part of Retaining Rings &amp; Clips Kit No. 29-25883-00 All items, 5 per kit.</p>				

THIS PAGE INTENTIONALLY LEFT BLANK

# US VERSION AS SHOWN

# PARTS LIST

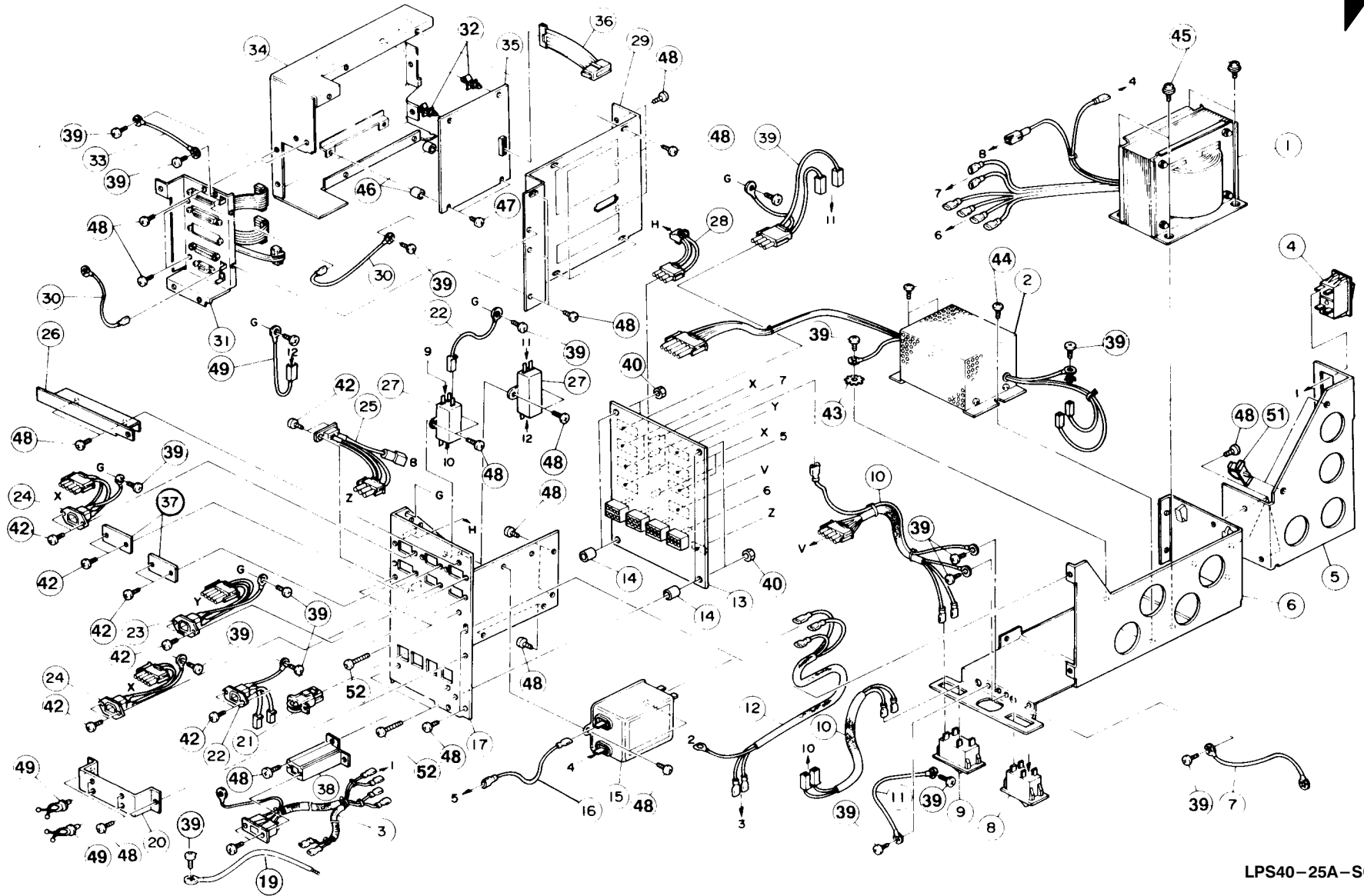


LPS40-25-SC

Figure 25. Power Supply/Device Controller Unit, System Cabinet (Sheet 1 of 2)

# EUROPEAN VERSION AS SHOWN

PARTS LIST 



LPS40-25A-SC

Figure 25. Power Supply/Device Controller Unit, System Cabinet (Sheet 2 of 2)

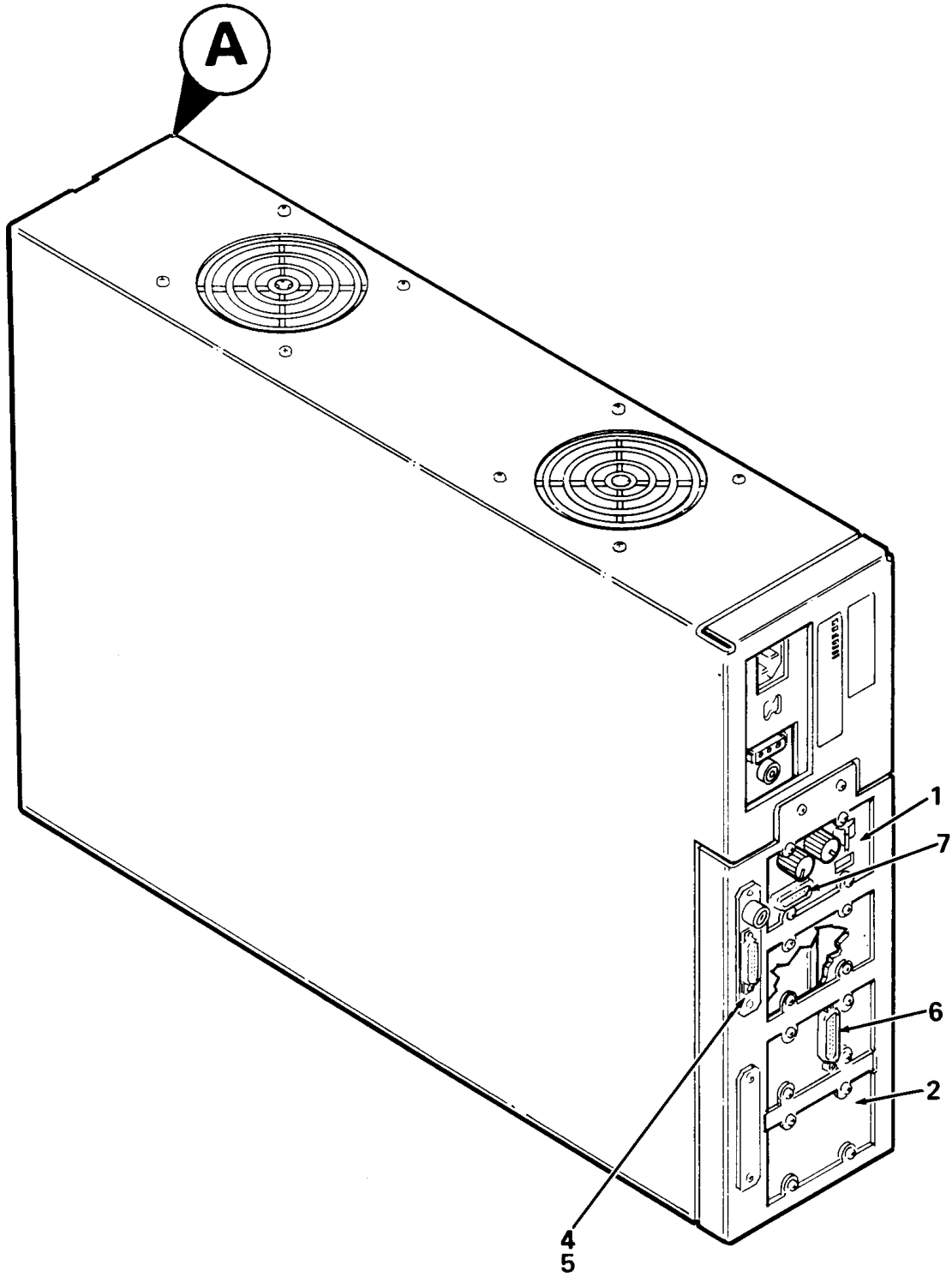
FIG. & ITEM NO.	DESCRIPTION	DEC PART NO.	ECO CUT-IN	USED ON CODE	REF FIG NO.
25-	POWER SUPPLY/DEVICE CONTROLLER UNIT, SYSTEM CABINET	N/A			1,1A
1	*Transformer	29-25887-00			
2	*Power Supply, Controller (Europe)	29-27276-01			
	*Power Supply, Controller (USA)	29-25886-00		BD	
3	*Harness, Main Switch				
4	*Switch, Main Power	29-25884-00			
5	*Bracket, Main Switch				
6	*Plate, Bottom				
7	*Wire, Bottom Plate Grounding				
8	*Breaker, Circuit 16A/250V	29-25888-00			
9	*Breaker, Circuit 1A/250V	29-25889-00			
10	*Harness, PD PCB-CB-NF				
11	*Wire, AC Inlet Panel Grounding				
12	*Harness, PD NF-PCB				
13	*Power Distribution Unit, Power Control Module	29-26348-00			
14	*Stand-Off				
15	*Filter, Noise 16A/250V	29-26349-00			
	*Filter, Noise 1A/250V	29-26351-00			
16	*Wire, PD NF-PCB				
17	*Panel, AC Inlet				
18	*Terminal, 600V (US)	29-26350-00			
19	*Wire, PD T-G				
20	*Bracket, Clamp				
21	*Plug, Select				
22	*Inlet, w/Harness (PD NF-VT)				
23	*Inlet, w/Harness (PD PCB-EN)				
24	*Inlet, w/Harness, (PD PCB-UN)	29-26343-00			
25	*Switch w/Harness, Voltage Changing	29-26275-00			
26	*Bracket, AC Inlet Panel				
27	*Filter, Noise 1A/250V	29-26351-00			
28	*Harness, (PD PCB-LCIT)				
29	*Panel, Device Controller Right				
30	*Wire, Grounding				
31	*Panel, Connector	29-26342-00			
32	*Stud, PCB				
33	*Wire, Grounding Upper				
34	*Panel, Device Controller Left				
35	*Module, Device Controller	29-25851-00			
36	*Harness, Relay Device Controller	29-26352-00			
37	*Plate, Outlet Blind (US)			BD	
38	*Bracket, AC Inlet				
39	*Screw, Phi Pan Hd. (M5x8)				
40	*Nut, Hex (M3)				
41	*Screw, Phi Pan Hd. (M4x22)				

FIG. & ITEM NO.	DESCRIPTION	DEC PART NO.	ECO CUT-IN	USED ON CODE	REF FIG NO.
25-	<p>42 *Screw, Phi Pan Hd. (M3x5)</p> <p>43 *Washer, Inner Toothed Lock (M5)</p> <p>44 *Screw, w/Flat Washer (M4x8)</p> <p>45 *Screw, Phi Flange (M4x6)</p> <p>46 *Stand-Off, (M3.2x4)</p> <p>47 *Screw, Phi Pan Hd. (M3x8)</p> <p>48 *Screw, Phi Pan Hd. (M4x6)</p> <p>49 *Clip, Short Cable (20MM)</p> <p>50 *Harness, (PD NF-G) Europe</p> <p>51 *Clamp, (DKS-16-1)</p> <p>52 *Screw, Phi Pan Hd. (M4x22)</p> <p>Note 1: Part of Miscellaneous Hardware Kit No. 29-26052-00 All items, 10 per kit.</p>	<p>See Note 1</p> <p>See Note 1</p>			



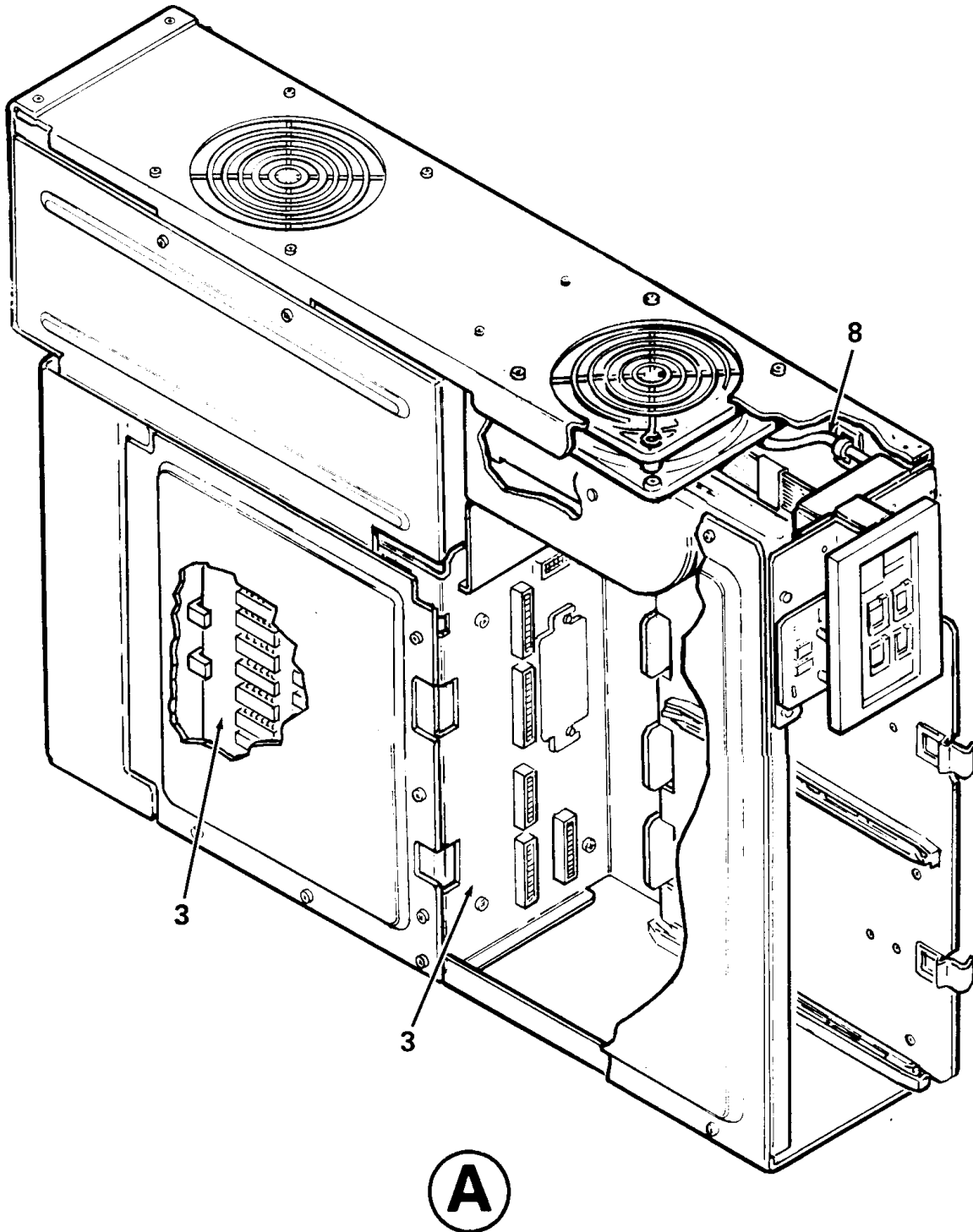
**LPS40**   
**CONTROLLER**

**THIS PAGE INTENTIONALLY LEFT BLANK**



LPS40-26-SC

Figure 26. Controller Assembly, LPS40 (Sheet 1 of 2)

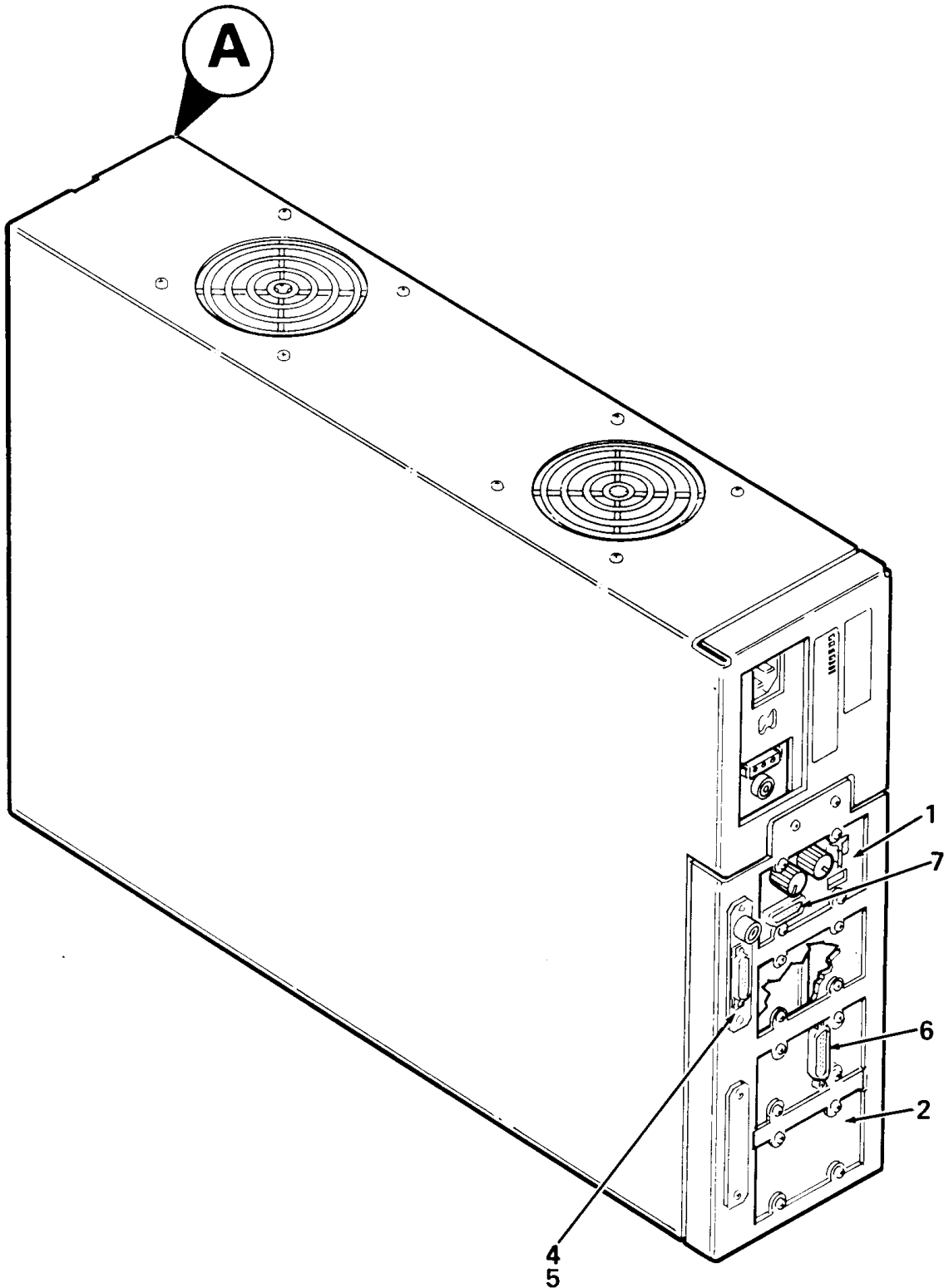


LPS40-26A-SC

Figure 26. Controller Assembly, LPS40 (Sheet 2 of 2)

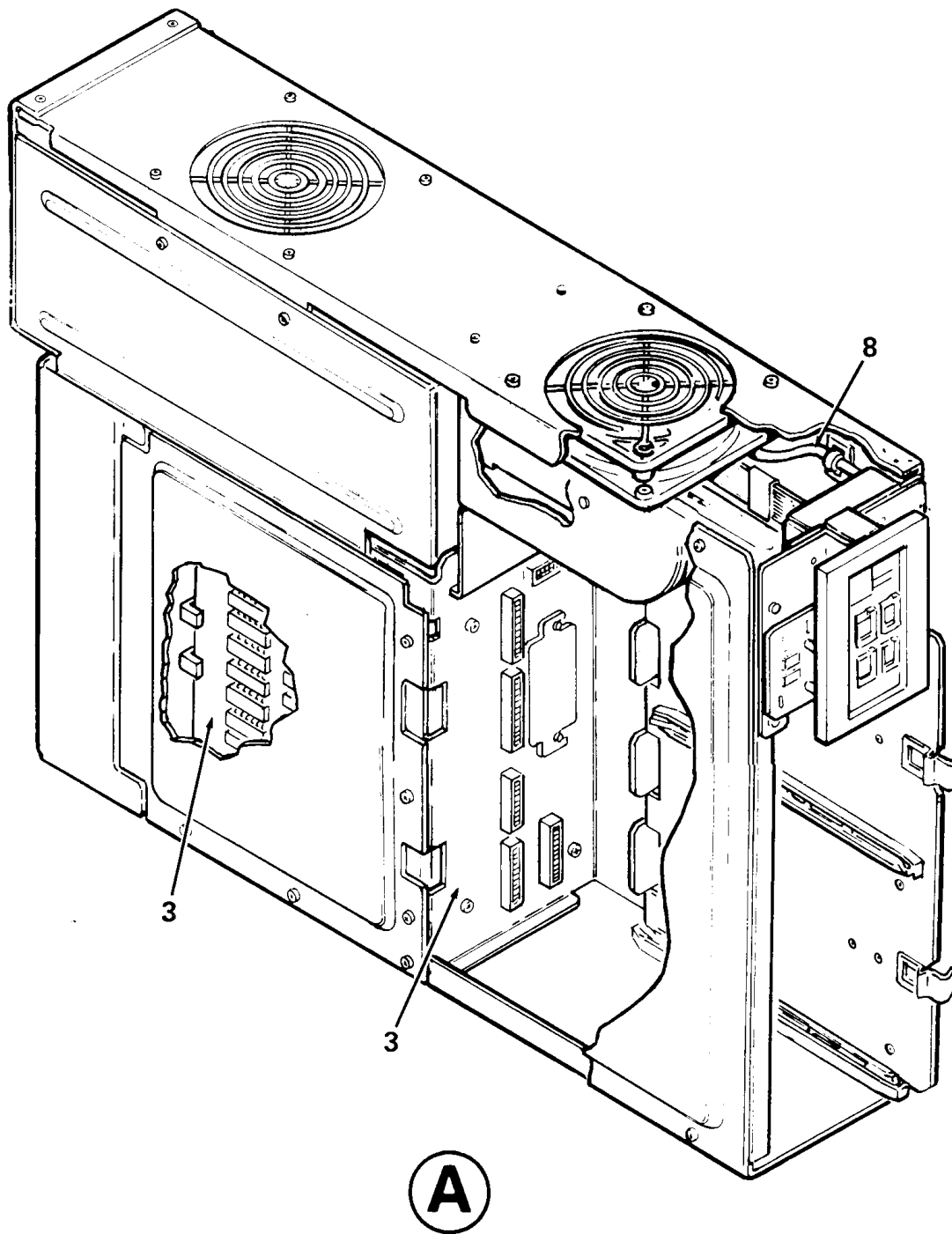
FIG. & ITEM NO.	DESCRIPTION	DEC PART NO.	J ECO CUT-IN 630QP 00000	USED ON CODE	REF FIG NO.
26-	CONTROLLER ASSEMBLY, LPS40	630QP-A3		ABDE	1
	CONTROLLER ASSEMBLY, LPS40	630QP-B3		CF	1
1	*MicroVAX II ASSEMBLY	70-22385-01			27
2	*Distribution Assembly	70-22014-01			
3	*Plane Assembly, Front	70-22015-01			
4	*Adaptor, DEC Ethernet Q-bus (added) (replaces DELQNA-M)	DELQA-M	00005		
5	*Cable Kit for DELQA (Not Shown)(added) (replaces CK-DEQNA-KB)	CK-DELQA-YB	00005		
6	*Cable Assembly, (5 Ft) (Not Shown)	BC27H-05			
7	*Cable Assembly, 10 Ft ODT for PC300 (Not Shown)	BCC08-10			
8	*Controller Assembly, Fan Speed	70-22643-01			
	<b>POWER CORD/CABLES/TIES (Not Shown)</b>				
	*Power Cord	17-00442-03			
	*Cable Assembly, 20 Cond Flat	17-00673-01			
	*Tie, Cable	90-07034-00			
	<b>MODULES (Not Shown)</b>				
	*Module, MicroVAX II w/1MB, Floating Point	M7606-AA			
	*Module, Full Page Bitmap Memory (2.5MB)	M7507-00			
	*Module, 29116 Image Generator Processor	M7508-00			
	*Module, Q-bus/Print Engine Interface	M7509-00			
	*Module, Horizontal Line Processor w/256KB Font RAM	M7510-AA		ABDE	
	*Module, Horizontal Line Processor w/256KB Font RAM	M7519-AA		CF	
	*Module, 8MB Memory Expansion (added) (replaces MS630-BB)	MS630-CA	00004/06	CF	
	*Module, Q-bus Grant Continuity (added)	M9047-00	00006	CF	
	<b>LABELS (Not Shown)</b>				
	*Label, "CPU + 1RD, Vertical"	36-23314-04			
	*Label, "Attention Fan Speed Control"	36-25642-01			
	*Label, "Serial, BA23 USA"	36-26818-01			
	*Label, "Warning, Equip. Rating" (added)	36-17905-17			

THIS PAGE INTENTIONALLY LEFT BLANK



LPS40-26B-SC

Figure 26A. Controller Assembly, LPS40plus CVAX (Sheet 1 of 2)



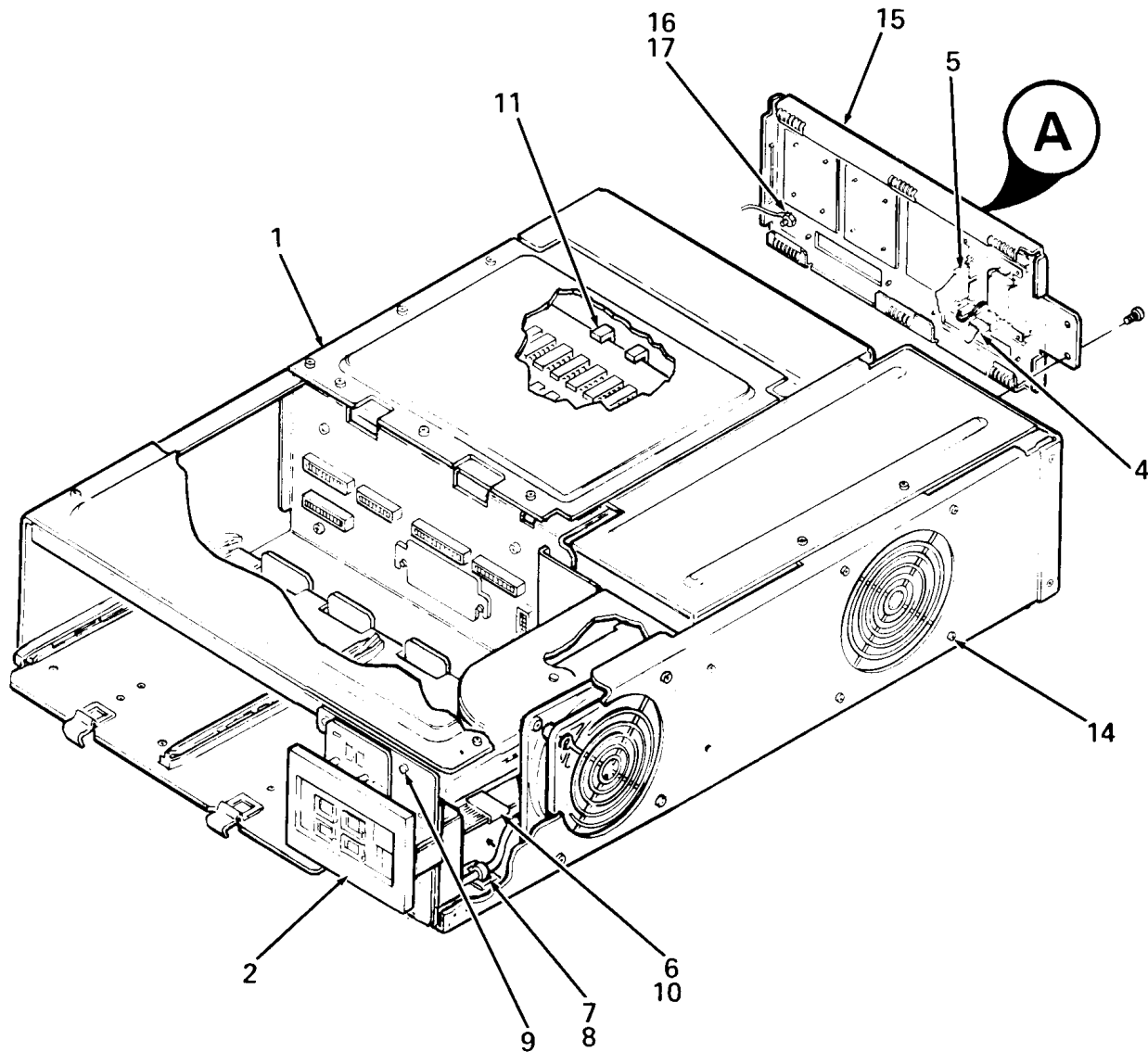
LPS40-26C-SC

Figure 26A. Controller Assembly, LPS40plus CVAX (Sheet 2 of 2)



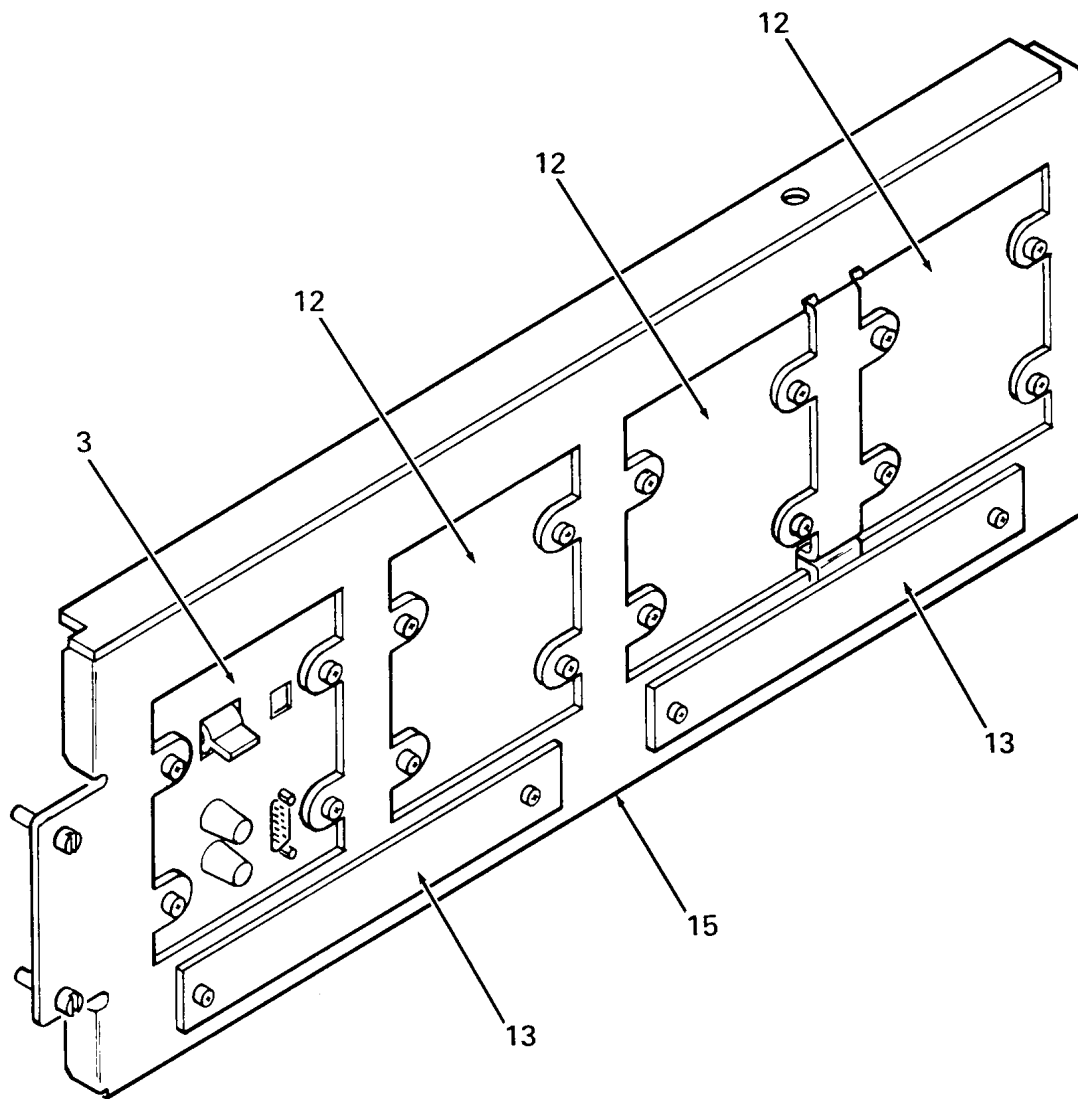
FIG. & ITEM NO.	DESCRIPTION	DEC PART NO.	ECO CUT-IN 650QP 00001	USED ON CODE	REF FIG NO.
26A-	CONTROLLER ASSEMBLY, LPS40 PLUS CVAX CONTROLLER ASSEMBLY, LPS40 PLUS CVAX	650QP-A3 650QP-B3		GHKL JM	1A 1A
1	*MicroVAX II ASSEMBLY	70-22385-01			27
2	*Distribution Assembly	70-22014-01			
3	*Plane Assembly, Front	70-22015-01			
4	*Adapter, Q-bus/Ethernet	DELQA-M			
5	*Kit, for 12 Inch Cable (DELQA) (Not Shown)	CK-DELQA-YB			
6	*Cable Assembly (5 ft) (Not Shown)	BC27H-05			
7	*Cable Assembly, 7 Cond Molded Shld 25 (Not Shown)	17-00301-00			
8	*Controller Assembly, Fan Speed	70-22643-01			
	<b>ITEMS (Not Shown)</b>				
	*Cord, Power (6A)	17-00442-03			
	*Cable Assembly, 20 Cond Flat (J1 to J1)	17-00673-01			
	*Cable Assembly, 12 Cond Molded Shld 25S	17-00677-05			
	*Cable Assembly, 50 Cond Flat	17-01898-01			
	*Insert, PrintServer 40plus	74-38284-01			
	*Tie, Cable Self-Lock	90-07034-00			
	<b>MODULES (Not Shown)</b>				
	*Module, Full Page Bitmap Memory(2.5MB) Simplex	M7507-00			
	*Module, Full Page Bitmap Memory(2.5MB) Duplex	M7507-YA			
	*Module, 29116 Image Generator Processor	M7508-00			
	*Module, Q-bus/Print Engine Interface	M7509-00			
	*Module, Horizontal Line Processor w/256KB Font RAM	M7510-AA		GHKL	
	*Module, Horizontal Line Processor w/1MB Font RAM (256KB)	M7519-AA		JM	
	*Module, 16MB Memory Array for KA650(added) (replaces MS650-AA)	MS650-BA	00002		
	*Module, M7620-AA w/MOD ROM Code for Single	M7620-BA			

FIG. & ITEM NO.	DESCRIPTION	DEC PART NO.	ECO CUT-IN	USED ON CODE	REF FIG NO.
26A-	<p style="text-align: center;"><b>LABELS (Not Shown)</b></p> <ul style="list-style-type: none"> <li>*Label, "FCC, Class A Processor" 36-17880-02</li> <li>*Label, "Serial &amp; Power, Universal" (USA) 36-17674-14</li> <li>*Label, "Serial/Power, w/UL &amp; CSA" (Canada) 36-17674-20</li> <li>*Label, "Serial/Power, w/UL &amp; CSA" (Ireland) 36-17674-01</li> <li>*Label, "Serial" (USA) 36-26818-01</li> <li>*Label, "Warning, Equipment Rating 220-240V" 36-17905-05</li> <li>*Label, "CPU + 1RD" 36-23314-04</li> <li>*Label, "Attention Fan Speed Control" 36-25642-01</li> </ul>				



LPS40-27-SC

Figure 27. MicroVAX II Assembly (Sheet 1 of 2)

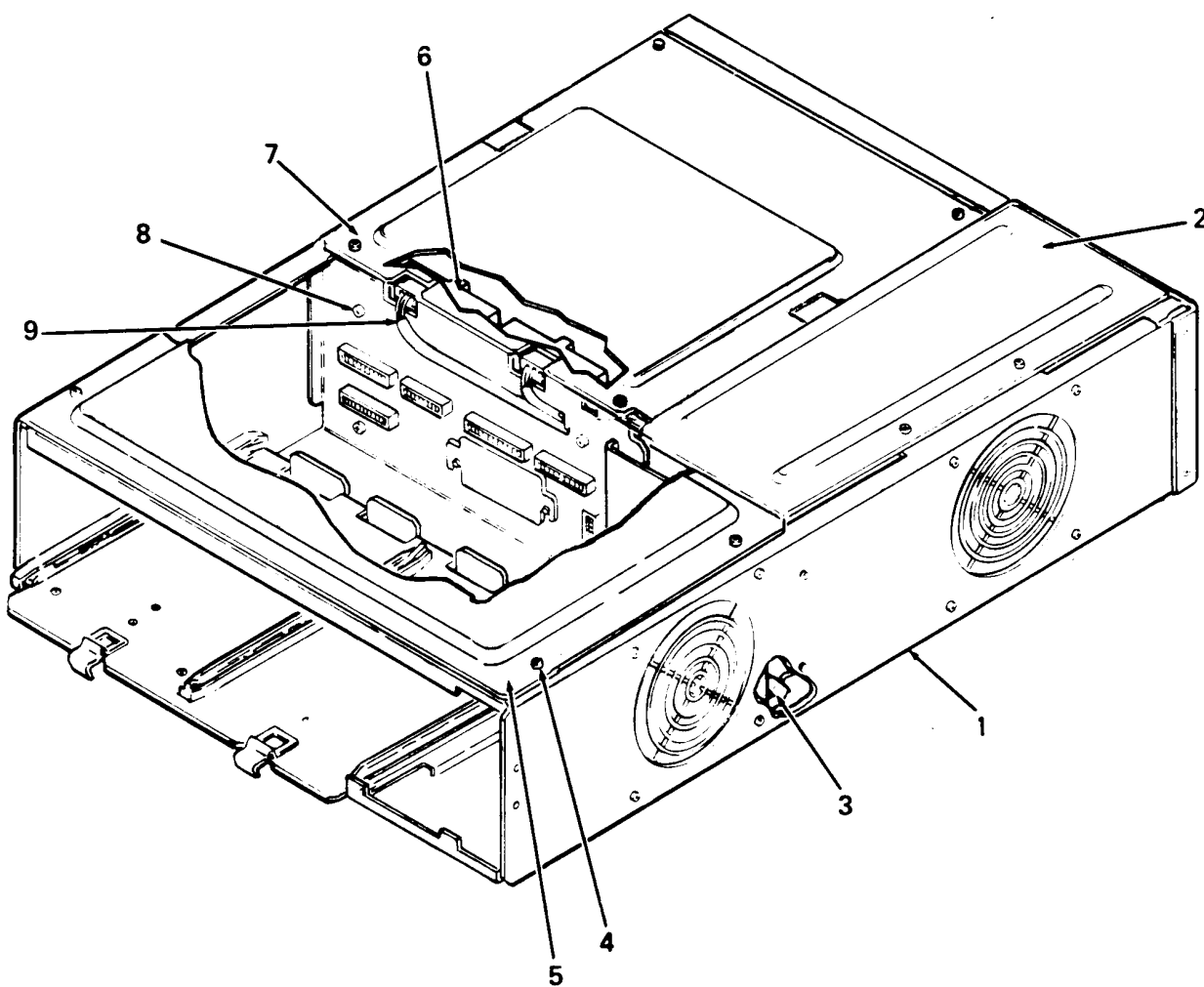


LPS40-27A-SC

Figure 27. MicroVAX II Assembly (Sheet 2 of 2)

FIG. & ITEM NO.	DESCRIPTION	DEC PART NO.	ECO CUT-IN 70-22385 00002	USED ON CODE	REF FIG NO.
27-	MicroVAX II ASSEMBLY	70-22385-01			26,26A
1	*CHASSIS ASSEMBLY, MicroVAX II	70-21860-02			28
2	*PANEL ASSEMBLY, CONTROL (replaces 70-22007-01)	70-22007-02	00005		29
3	*Module, Function SEL/SLU Console Connect	54-16744-01			
4	*Cable, Console Backplane, 10 Pin	17-00624-01			
5	*Cable Assembly, 20 Pin	17-00712-02			
6	*Clamp, Cable for Flat Cable	90-08264-00			
7	*Mount, Cable Tie	90-08264-00			
8	*Tie, Cable	90-07031-00			
9	*Screw, Sems Phi Pan Hd No. 6-32 x 1/4	90-10174-00			
10	*Cable, Control Panel to Back Plane	70-20451-1C			
11	*Holder, Module	12-09856-03			
12	*Cover, Rectangular Plate	74-27574-01			
13	*Plate, Connector Back	74-28683-01			
14	*Screw, Phi Pan Hd No. 6-32 x 1/4	90-00049-01			
15	*Distribution Assembly, Rear	70-19979-00			
16	*Washer, Flat No. 6 (deleted)	90-06659-00	00004		
17	*Nut, Kep No. 6 (deleted)	90-09991-00	00004		

THIS PAGE INTENTIONALLY LEFT BLANK

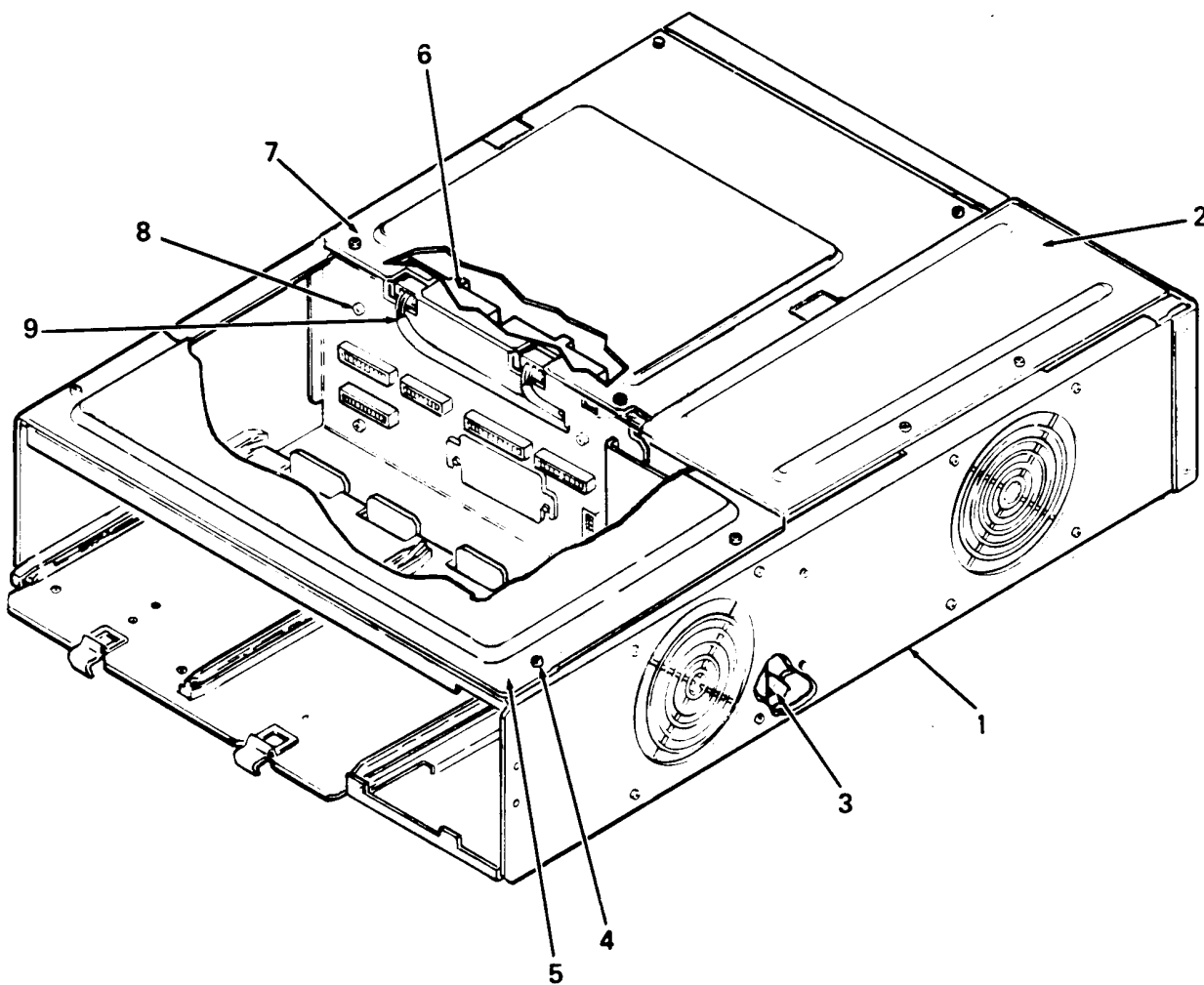


LPS40-28-SC

**Figure 28. Chassis Assembly, Micro**

FIG. & ITEM NO.	DESCRIPTION	DEC PART NO. <sup>M</sup>	ECO CUT-IN 70-21860 00004	USED ON CODE	REF FIG NO.
28-	CHASSIS ASSEMBLY, MICRO	70-21860-02			27
1	*Chassis Assembly (replaces 70-19985-01)	70-19985-03	00008		
2	*Power Supply, 5V, 36A, +12V, 7A 230W (replaces H7864-A)	H7868-B	00009		
3	*Cable Assembly, Fan	70-20449-0D			
4	*Screw, Sems Phi Pan Hd No. 6-32 x 5/8 (replaces 90-00049-01)	90-00062-10	00008		
5	*Cover, RX/RD (See Note)	74-27564-01			
6	*BACKPLANE ASSEMBLY, DISTRIBUTION	70-19986-00			30
7	*Cover, Logic (replaces 74-27751-01) (See Note)	74-38423-01	00008		
8	*Screw, Sems Phi Pan Hd No. 8-32 x 5/16	90-10174-01			
9	*Cable Assembly, DC Power Drive (replaces 70-20435-1K)	17-01356-02	00006		
	CABLE (Not Shown)				
	*DC Power Backplane Cable Assembly (replaces 70-20450-01)	17-01311-01	00005		
	NOTE: This Part shown for reference only, not part of this assembly.				



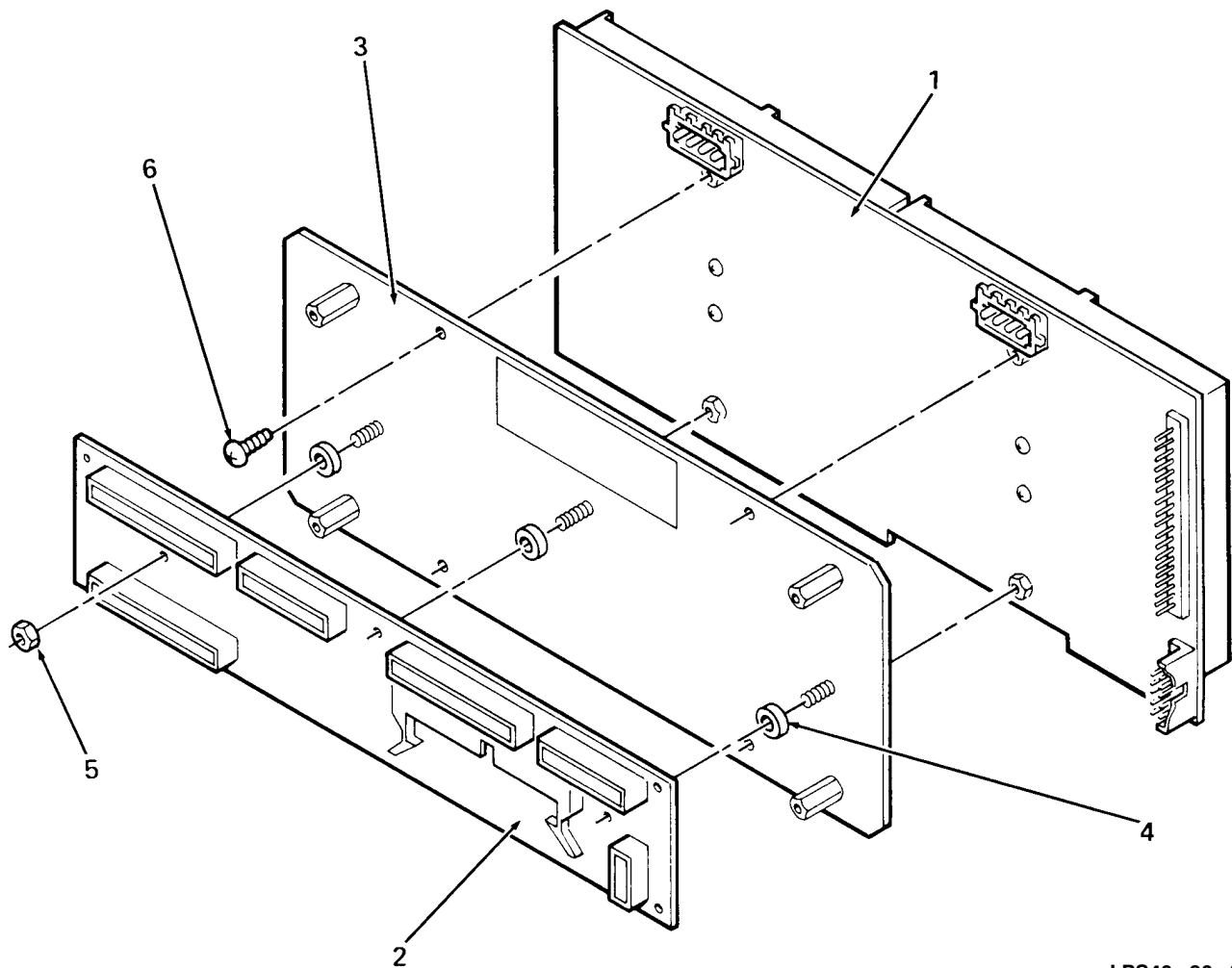


LPS40-29-SC

Figure 29. Panel Assembly, Control

FIG. & ITEM NO.	DESCRIPTION	DEC PART NO.	ECO CUT-IN 70-22007 00001	USED ON CODE	REF FIG NO.
29-	PANEL ASSEMBLY, CONTROL	70-22007-01			27
1	*Plate, Control Panel	74-28657-01			
2	*Shield, AC Bracket	74-28424-01			
3	*Grommet, Caterpillar	90-07035-00			
4	*Cable Assembly, AC On/Off Power	70-20434-01			
5	*Screw, Sems Phi Pan Hd No. 6-32 x 5/16	90-10155-00			
6	*Bracket, AC Switch	74-27565-01			
7	*Nut, Kep No. 10-32 x 3/8	90-06565-00			
8	*Screw, Self-Tapping Phi Pan Hd No. 6-32 x 1/2	90-09800-00			
9	*Module, BA23 Front Panel	54-16458-01			
10	*Panel, Control	74-30282-01			
11	*Shield, ESD	12-25646-01	00002		
	LABEL (Not Shown)				
	*Label, "Part Number, Rev, Mfg."	90-09255-04			

FIG. & ITEM NO.	DESCRIPTION	DEC PART NO.	ECO CUT-IN 70-19986 00001	USED ON CODE	REF FIG NO.
30-	<b>BACKPLANE ASSEMBLY, DISTRIBUTION</b>	70-19986-00			28
1	*Backplane, Q22 Bus 8 Quad Slots	H927B-A			
2	*Panel, BA23 Signal Distribution	54-15633-00			
3	*Bracket, Distribution	74-27551-01			
4	*Spacer, Non-Metallic No. 8	90-09672-01			
5	*Nut, Self-Locking Hex No. 6-32 x 5/16	90-08055-00			
6	*Screw, Sems Phi Pan Hd No. 8-32 x 1/4	90-09545-00			
	<b>LABEL (Not Shown)</b>				
	*Label, "Part Number, Rev, Mfr"	90-09255-04			
					Ω



LPS40-30-SC

**Figure 30. Backplane Assembly, Distribution**

THIS PAGE INTENTIONALLY LEFT BLANK

# **PART NUMBER/DESCRIPTION INDEX**

**THIS PAGE INTENTIONALLY LEFT BLANK**

# INDEX BY DEC PART NUMBER

PrintServer 40/40 Plus

PART NO.	DESCRIPTION	FIG NO.	ITEM NO.
12-09856-03	Holder, Module	27	11
12-25646-01	Shield, ESD	29	11
17-00301-00	Cable Assembly, 7 Cond Molded Shld 25 (Not Shown)	26A	7
17-00365-03	Cord, Power (for Terminal 2.5 meters (6A)	1A	Not Shown
17-00365-03	Cord, Power (for Terminal 2.5 meters (6A)	1A	Not Shown
17-00365-03	Cord, Power (for Terminal) 2.5 meters (6A)	1	Not Shown
17-00365-03	Cable/Jumper Assembly 2.5 meters (6A)	1	Not Shown
17-00442-03	Cord, Power (6A)	26A	Not Shown
17-00442-03	Power Cord	26	Not Shown
17-00442-03	Cord, Power Terminal 2.5 meters (6A)	1	Not Shown
17-00624-01	Cable, Console Backplane, 10 Pin	27	4
17-00673-01	Cable Assembly, 20 Cond Flat	26	Not Shown
17-00673-01	Cable Assembly, 20 Cond Flat (J1 to J1)	26A	Not Shown
17-00677-05	Cable Assembly, 12 Cond Molded Shld 25S	26A	Not Shown
17-00677-05	Cable Assembly, (BC17H-05)	1	10
17-00677-05	Cable Assembly, (BC27H-05)	1A	10
17-00712-02	Cable Assembly, 20 Pin	27	5
17-01311-01	DC Power Backplane Cable Assembly (replaces 70-20450-01)	28	Not Shown
17-01356-02	Cable Assembly, DC Power Drive (replaces 70-20435-1K)	28	9
17-01898-01	Cable Assembly, 50 Cond Flat	26A	Not Shown
29-25102-00	Roller, Feed	4	24
29-25103-00	Roller, Pre-Feed	13	29
29-25103-00	Roller, Pre-Feed	4	22
29-25807-00	Socket, Rear Heater	20	13
29-25808-00	Cable, Temperature Fuse	20	22
29-25809-00	Thermistor, Fusing	20	27
29-25810-00	Sensor, Oil End	20	28
29-25811-00	Pad, Oil	20	36
29-25812-00	Blade, Cleaning	18	21
29-25813-00	Wire, PCC Corona	18	32
29-25814-00	Wire, Corona Cleaner	18	33
29-25815-00	Belt, Rubber	19	14
29-25816-00	Pad, Cleaning	20	5
29-25817-00	Filter, Quenching Lamp	16	23
29-25818-00	Drum, Temperature Sensor	16	24
29-25819-00	Chain, Hook Link	17	81
29-25820-00	Pawl Assembly, Pick-Off	18	3
29-25821-00	Brush, Cleaning	18	20
29-25822-01	Drum	16	11
29-25823-00	Receptacle, Corona	16	14
29-25824-00	Fan, Drum (LNO2)	16	16
29-25825-00	Lamp, Quenching	16	18
29-25826-00	Shield, Glass	16	19
29-25827-00	Tube, Laser	15	13
29-25828-00	AOM	15	25
29-25829-00	Module, Sync Detector	15	27
29-25830-00	Corona Assembly, Charge	16	4
29-25831-00	Corona Assembly, T & D	16	5
29-25832-00	Module, Registration Sensor	14	8
29-25833-00	Lamp, Pre-Transfer	14	10

# INDEX BY DEC PART NUMBER

PrintServer 40/40 Plus

PART NO.	DESCRIPTION	FIG NO.	ITEM NO.
29-25834-00	Scanner Assembly, Polygon	15	6
29-25835-00	Power Supply, Laser Drive	15	9
29-25836-00	Module, Beam Power Detector	15	11
29-25837-00	Kit, Feed Roller	4	Not Shown
29-25837-00	Kit, Feed Roller	13	Not Shown
29-25838-00	Clutch, Magnetic Feed	13	59
29-25839-00	Clutch, Magnetic Registration	13	60
29-25840-00	MOTOR ASSEMBLY, CASSETTE	13	84
29-25841-00	Kit, Roller (Print Engine)	14	Not Shown
29-25842-00	Panel, Indicator	12	5
29-25843-00	Bottle, Developer Collection	12	11
29-25844-00	Cover, Separation Guide	13	4
29-25845-00	Pack, Photo-Interrupter	13	7
29-25845-00	Pack, Photo-Interrupter	5	27
29-25846-00	Sensor, LED Type S	22	8
29-25846-00	Sensor, LED Type S	22	45
29-25846-00	Sensor, LED Type S	13	83
29-25846-00	Sensor, LED Type S	13	10
29-25847-00	CLEANING UNIT	11	5
29-25847-00	CLEANING UNIT, PRINT ENGINE	18	Not Shown
29-25848-00	FUSING UNIT, PRINT ENGINE	20	Not Shown
29-25848-00	FUSING UNIT, PRINT ENGINE	11	6
29-25849-00	TRANSPORT UNIT, PRINT ENGINE	19	Not Shown
29-25849-00	TRANSPORT UNIT	11	7
29-25850-00	DEVELOPMENT UNIT	11	8
29-25850-00	DEVELOPMENT UNIT, PRINT ENGINE	17	Not Shown
29-25851-00	Module, Device Controller	25	35
29-25852-00	Heater, Fusing 230V, 900W	20	38
29-25853-00	Socket, Front Heater	20	39
29-25854-00	EXIT ASSEMBLY, PAPER	20	70
29-25855-00	Pawl, Separation (Fusing Unit)	20	84
29-25856-00	Brush, Anti-Static	20	90
29-25857-00	Solenoid, Developer Replacement	21	5
29-25858-00	Motor, Main 30V, 43W	21	19
29-25859-00	Belt, Drive Drum	21	55
29-25860-00	Solenoid, Separation Pawl	21	57
29-25861-00	Blade, Solenoid Cleaning	21	68
29-25862-00	Belt, Drive Cleaning/Fusing	21	69
29-25863-00	Panel, Indicator PCB	22	1
29-25864-00	Panel, Operation PCB	22	3
29-25865-00	Switch, Push AC	22	9
29-25865-00	Switch, Push AC	6	5
29-25866-00	Module, Toner Density Control	22	13
29-25867-00	Module, Development Motor Drive	22	14
29-25868-00	Module, Polygon Motor Drive	22	15
29-25869-00	Module, Main Motor Drive	22	16
29-25870-00	Module, Video Control	11	2
29-25871-00	Switch, Push Heater	22	20
29-25872-00	Counter, Maintenance	22	21
29-25873-00	Switch, Inter-Lock 2P	22	22
29-25874-00	Stabilizer, Lamp	22	38
29-25875-00	Module, Sequence Control	22	40
29-25875-00	Module, Sequence Control	11	1
29-25876-00	Fan, Fusing	22	62



# INDEX BY DEC PART NUMBER

PrintServer 40/40 Plus

PART NO.	DESCRIPTION	FIG NO.	ITEM NO.
29-25877-00	Power Supply Unit, DC	22	63
29-25877-00	Power Supply, DC	11	4
29-25878-00	Switch, Transport Unit	22	64
29-25879-00	Pack, Power B/C/PCC	22	68
29-25880-00	Counter, Total	22	72
29-25881-00	Fan, Vacuum	23	8
29-25882-00	Kit, Spring	4	Not Shown
29-25882-00	Kit, Spring	13-23	Not Shown
28-25883-00	Kit, Retaining Rings & Clips	4-24	Not Shown
29-25884-00	Switch, Main Power	25	4
29-25885-00	Cable Assembly, AC Power Switch	24	31
29-25886-00	Power Supply, Controller (USA)	25	2
29-25887-00	Transformer	25	1
29-25888-00	Breaker, Circuit 16A/250V	25	8
29-25889-00	Breaker, Circuit 1A/250V	25	9
29-25890-00	Solenoid, Return	9	24
29-25891-00	Module, Main Control (LN02)	8	11
29-25892-00	Detector, Paper	10	2
29-25892-00	Detector, Paper	9	47
29-25893-00	Motor Assembly	9	49
29-25894-00	Transformer (FDS)	8	4
29-25895-00	Solenoid, Inversion	9	15
29-25896-00	Solenoid, Junction Gate	9	16
29-25897-00	Solenoid, Vertical Feed	9	28
29-25898-00	Module, Sequence Controller	6	2
29-25899-00	Power Supply Unit, LCIT	5	12
29-25900-00	Motor, Elevator	5	46
29-25901-00	Tray, Gear Head Motor	5	47
29-25902-00	Motor, Paper Drive	4	2
29-25903-00	Clutch, Upper Feed	4	41
29-25904-00	Clutch, Lower Feed (Trans Mag)	4	30
29-25905-00	Belt, Timing	3	36
29-25906-00	Belt, Timing	5	35
29-25907-00	Solenoid, Feed LCIT	4	5
29-25908-00	Belt, Timing	5	3
29-25909-00	OPTICAL HOUSING UNIT, PRINT ENGINE	15	Not Shown
29-25909-00	OPTICAL HOUSING UNIT	11	3
29-25911-00	Sensor, Toner Density	17	59
29-25912-00	Belt, Development Drive	21	8
29-25913-00	Controller, Fusing Temperature	22	55
29-26018-00	Tray, Paper Exit	8	2
29-26019-00	Filler, Paper End	13	11
29-26020-00	Kit, Feeder (Print Engine)	13	Not Shown
29-26021-00	Stud, Cartridge Lever	13	75
29-26022-00	Lever, Cartridge	13	74
29-26023-00	Cover Assembly, Front	12	1
29-26024-00	Cover, Right	12	6
29-26025-00	Cover, Rear	12	7
29-26026-00	Cover, Upper	12	9
29-26027-00	Cover, Left	12	1
29-26028-00	Lever, Elevate Cassette	13	77
29-26029-00	Filter, PTL	14	11
29-26030-00	Guide, Cleaning Unit	16	3
29-26031-00	Duct, Drum Fan	16	17

# INDEX BY DEC PART NUMBER

PrintServer 40/40 Plus

PART NO.	DESCRIPTION	FIG NO.	ITEM NO.
29-26032-00	Drive Sprocket Gear	17	Not Shown
29-26033-00	Duct, Transport	19	5
29-26034-00	Receptacle, T & D Corona	19	7
29-26035-00	Pack, Power T & D	19	8
29-26036-00	Lever, Pressure	20	6
29-26037-00	Actuator, Oil Pump	20	32
29-26038-00	Roller, Hot	20	44
29-26039-00	Roller, Pressure	20	45
29-26040-00	Kit, Gear & Pulley (Main Drive)	21	N/A
29-26041-00	Tightener, Drum Drive Belt	21	53
29-26042-00	Bracket, Front Cover Switch	22	10
29-26043-00	Lever, Fusing Safety Switch	22	18
29-26044-00	Actuator, Home Position Sensor	22	47
29-26045-00	Shutter, Stackover Sensor	3	7
29-26046-00	Sensor, Stack Over	22	59
29-26047-00	Input Assembly, AC 220/240V	22	60
29-26048-00	Kit, High Voltage Cable	22	Not Shown
29-26049-00	Terminal, Bias	22	70
29-26050-00	Actuator, Transport Switch	23	16
29-26051-00	Duct, Vacuum Fan	23	18
20-26052-00	Kit, Miscellaneous Hardware	2-25	Not Shown
29-26093-00	Screw, Stepped	2	25
29-26235-00	Spacer, (8.1 x 11.5 x 0.1MM)	17	79
29-26267-00	Wire Set, Main Corona	1	Not Shown
29-26267-00	Wire Set, Main Corona	1A	Not Shown
29-26268-00	Wire Set, T. Corona	1	Not Shown
29-26268-00	Wire Set, T. Corona	1A	Not Shown
29-26269-00	Cord, AC Power (US)	22	73
29-26269-00	Cable, Power Print Engine (U.S.)	1	Not Shown
29-26269-00	Cable, Power Print Engine (U.S.)	1A	Not Shown
29-26270-00	Cord, AC Power LCIT:PDU	7	3
29-26270-00	Cord, Power Large Capacity Input Tray	1	Not Shown
29-26270-00	Cord, Power Large Capacity Input Tray	1A	Not Shown
29-26271-00	Cable, Interface	6	1
29-26271-00	Cable, I/F Large Capacity Input Tray	1A	Not Shown
29-26271-00	Cable, I/F Large Capacity Input Tray	1	Not Shown
29-26271-00	Cable, Interface	7	4
29-26272-00	Solenoid, Toner Replenishment	21	2
29-26273-00	Cover, Right Inner	12	2
29-26274-00	Cover, Left Inner	12	4
29-26275-00	Switch w/Harness, Voltage Changing	25	25
29-26276-00	Cable, VT Power (US)	24	22
29-26276-00	Cable, Power Video Terminal (U.S.)	1	Not Shown
29-26276-00	Cable, Power Video Terminal (U.S.)	1A	Not Shown
29-26277-00	Cable, VT Power (International)	24	22
29-26277-00	Cable, Power Video Terminal (International)	1A	Not Shown
29-26277-00	Cable, Power Video Terminal (International)	1	Not Shown
29-26278-00	Cable, Power MicroVAX (International)	1A	Not Shown
29-26278-00	Cable, Power MicroVAX (International)	1	Not Shown
29-26279-00	Cord, AC Power (Europe)	22	73
29-26279-00	Cable, Power Print Engine (International)	1A	Not Shown
29-26279-00	Cable, Power Print Engine (International)	1	Not Shown
29-26280-00	Cord, Power (International) (FDS)	8	16
29-26280-00	Cord, Power Face Down Stacker (International)	1	Not Shown

# INDEX BY DEC PART NUMBER

PrintServer 40/40 Plus

PART NO.	DESCRIPTION	FIG NO.	ITEM NO.
29-26280-00	Cord, Power Face Down Stacker (International)	1A	Not Shown
29-26281-00	Cord, AC Power (US) (FDS)	8	16
29-26281-00	Cord, Power Face Down Stacker (U.S.)	1A	Not Shown
29-26281-00	Cord, Power Face Down Stacker (U.S.)	1	Not Shown
29-26282-00	Cord, Power (MicroVAX)	24	23
29-26282-00	Cable, Power MicroVAX (U.S.)	1	Not Shown
29-26282-00	Cable, Power MicroVAX (U.S.)	1A	Not Shown
29-26283-00	Cable, Printer I/F Data DC	22	74
29-26283-00	Cable, I/F Print Engine Data DC	1	Not Shown
29-26283-00	Cable, I/F Print Engine	1A	Not Shown
29-26284-00	Cable, Interface DC Data (FDS)	8	17
29-26284-00	Cable, I/F Face Down Stacker	1	Not Shown
29-26284-00	Cable, I/F Face Down Stacker	1A	Not Shown
29-26285-00	Cable, Power (U.S.)	1A	Not Shown
29-26285-00	Cable, Power (U.S.)	1	Not Shown
29-26286-00	Roller, Vertical Feed	10	45
29-26287-00	Cover, Open Relay	22	53
29-26288-00	Belt, Timing 90XL	21	30
29-26289-00	Idler, Registration Belt	21	28
29-26290-00	DETECTOR ASSEMBLY, PAPER HEIGHT	13	79
29-26291-00	Pulley, Lower Elevator	5	10
29-26292-00	Harness, Front Paper Relay	5	26
29-26293-00	Pulley, Adjustable Front	5	36
29-26295-00	Cable, PCB	6	3
29-26296-00	Sensor, Safety	6	6
29-26297-00	Roller, Right Upper Exit	9	32
29-26298-00	Input Assembly, AC	7	5
29-26300-00	Cable, Power Supply Relay	7	7
29-26301-00	Resistor, Elevator Motor	3	12
29-26302-00	Cable, Relay	3	29
29-26303-00	Holder, Rear Slant	3	34
29-26304-00	Wheel, Elevator Worm	5	6
29-26305-00	Pulley Assembly, Upper Elevator	5	2
29-26306-00	Switch, Elevator	6	8
29-26307-00	Module, Paper Drive Motor	7	1
29-26308-00	Catch, Door Magnet	2	14
29-26309-00	Guide, Door	2	16
29-26310-00	Plate, Return Roller Spring	9	35
29-26312-00	Detector, Paper	4	34
29-26312-00	Detector, Paper	3	31
29-26313-00	Sensor, Relay	3	33
29-26314-00	Roller, Return	9	34
29-26315-00	Roller, Left Upper Exit	9	40
29-26316-00	Roller, Upper Inversion	9	42
29-26317-00	Gear, Motor	9	50
29-26318-00	Catch, Rotary	8	22
29-26319-00	Cover, Front	8	24
29-26320-00	Breaker, Circuit 1A 250V	8	33
29-26321-00	Arm, Assistant Guide Plate	9	23
29-26322-00	Roller, Vertical Feed	9	31
29-26323-00	Brush, Long Antistatic	9	55
29-26324-00	Roller, Right Lower Exit	10	24
29-26325-00	Brush, Short Antistatic	10	31
29-26326-00	Brush, Medium Antistatic	10	32

# INDEX BY DEC PART NUMBER

PrintServer 40/40 Plus

PART NO.	DESCRIPTION	FIG NO.	ITEM NO.
29-26327-00	Harness, DC Main	8	14
29-26328-00	Cover, Upper	8	15
29-26331-00	COVER, LEFT	8	18
29-26332-00	Harness, AC Main	8	3
29-26333-00	Filter Assembly, Noise	8	6
29-26334-00	Cover, Rear	8	8
29-26335-00	Module, Interface	8	9
29-26336-00	Harness, Solenoid	8	13
29-26337-00	Chain, Bushed Roller 222P	10	15
29-26338-00	Disk, Perforation	10	16
29-26339-00	Sensor, LED Type T	10	21
29-26339-00	Sensor, LED Type T	3	2
29-26339-00	Sensor, LED Type T	4	8
29-26339-01	Sensor, LED Type T	5	43
29-26340-00	Feeler, Left Overflow Sensor	10	65
29-26341-00	Lever, Vertical Feed Clutch	10	39
29-26342-00	Panel, Connector	25	31
29-26343-00	Inlet, w/Harness (PD PCB-UN)	25	24
29-26344-00	Switch, Cover Safety 100/120V	8	27
29-26345-00	Cam Assembly, Inversion	9	10
29-26346-00	Clutch Assembly, Vertical Feed	9	11
29-26347-00	Cover, Rear	24	21
29-26348-00	Power Distribution Unit, Power Control Module	25	13
29-26349-00	Filter, Noise 16A/250V	25	15
29-26350-00	Terminal, 600V (US)	25	18
29-26351-00	Filter, Noise 1A/250V	25	27
29-26351-00	Filter, Noise 1A/250V	25	15
29-26352-00	Harness, Relay Device Controller	25	36
29-26353-00	Door, Front Right	24	3
29-26354-00	Door, Front Left	24	7
29-26355-00	Latch, Door	24	15
29-26356-00	Power Supply Unit	24	30
29-26399-00	Cable, Breaker	7	6
29-26595-00	Kit, Bracket (LCIT)	5	Not Shown
29-26596-00	Kit, Lever (LCIT)	5	Not Shown
29-26597-00	Kit, Spring (FDS)	9	Not Shown
29-26598-00	Kit, Gear (FDS)	9,10	Not Shown
29-26599-00	Kit, Hardware (FDS)	8	Not Shown
29-26600-00	Kit, Registration Brake (Print Engine)	21	Not Shown
29-26601-00	Spring (LCIT)	2	Not Shown
29-26602-00	Kit, Door (LCIT)	2	Not Shown
29-26603-00	Kit, Gear	3,4	Not Shown
29-26604-00	Kit, Roller (LCIT)	2	Not Shown
29-26605-00	ELEVATOR MOTOR ASSEMBLY (LN02)	5	44
29-26606-00	TRANSPORT ASSEMBLY (LN02)	3	15
29-26607-00	VERTICAL FEED DOOR ASSEMBLY	10	35
29-26608-00	SPROCKET ASSEMBLY	10	11
29-26609-00	ACTUATOR ASSEMBLY	10	25
29-26610-00	Kit, Inversion (FDS)	9	Not Shown
29-26611-00	Kit, Roller (FDS)	9	Not Shown
29-26612-00	BRACKET ASSEMBLY, SENSOR (LN02)	3	6
29-26613-00	SOLENOID ASSEMBLY, FEED (LN02)	4	3
29-26614-00	Paper Drive Motor	4	Not Shown
29-26871-00	Lever, Release Transport	23	1

# INDEX BY DEC PART NUMBER

PrintServer 40/40 Plus

PART NO.	DESCRIPTION	FIG NO.	ITEM NO.
29-27206-01	Shaft, Paper Separator	4	45
29-27207-01	Roller, Lower Relay	3	26
29-27208-01	Actuator, Height Sensor	4	6
29-27209-01	Cover, Paper Feed Gear	4	43
29-27210-01	Clutch, (6MM) Oneway	4	48
29-27212-01	Roller, Elevator	5	21
29-27213-01	Guide, Lower Entrance	10	3
29-27214-01	Guide, Upper Entrance	10	5
29-27215-01	Guide, Entrance Cover	10	6
29-27218-01	Filter, Development	17	35
29-27276-01	Power Supply, Controller (Europe)	25	2
29-27277-01	Supporter, Shaft Transport Roller	21	75
29-27586-01	Transformer, 220/240V	22	61
29-27610-01	Bushing, (6 x 10 x 6MM)	10	17
29-27610-01	Bushing, (6 x 10 x 6MM)	13	17
29-27610-01	Bushing (6MM)	9	19
29-27615-01	Bearing, Ball (8 x 16 x 5MM)	20	58
29-27615-01	Bearing, Ball (8 x 16 x 5MM)	14	23
29-27615-01	Bearing, Ball (8 x 16 x 5MM)	5	4
29-27615-01	Bearing, Ball (8 x 16 x 5MM)	9	30
29-27616-01	Bushing, (8MM)	23	3
29-27616-01	Bushing, (8MM)	13	26
29-27616-01	Bushing, (8MM)	20	43
29-27840-01	Guide, PTL	14	9
29-27842-01	Clamp, Cleaning Unit	16	29
29-27905-01	PAPER STOP ASSEMBLY	2	21
2J-H078A-01	Cord, Power (250V 20A)	1	Not Shown
2J-H078A-01	Cord, Power (250V 20A)	1A	Not Shown
2J-H078A-01	Cord, Power (250V 20A)	1	Not Shown
2J-H078A-01	Cord, Power (250V 20A)	1A	Not Shown
30-25271-03	Tray Assembly, Large Capacity Input	1	3
30-25271-03	Tray Assembly, Large Capacity Input	1A	3
30-25271-04	Stacker Assembly, Face Down	1A	4
30-25271-04	Stacker Assembly, Face Down	1	4
34-25288-01	Cassette, Letter	11	9
34-25288-02	Cassette, Double Letter	11	9
36-17674-01	Label, "Serial/Power, w/UL & CSA" (Ireland)	26A	Not Shown
36-17674-14	Label, "Serial & Power, Universal" (USA)	26A	Not Shown
36-17674-20	Label, "Serial/Power, w/UL & CSA" (Canada)	26A	Not Shown
36-17880-02	Label, "FCC, Class A Processor"	26A	Not Shown
36-17905-05	Label, "Warning, Equipment Rating 220-240V"	26A	Not Shown
36-17905-17	Label, "Warning, Equip. Rating" (added)	26	Not Shown
36-20926-04	Paper, Xerographic (8.5 x 11, 20 LB.)	1A	Not Shown
36-20926-04	Paper, Xerographic (8.5 x 11, 20 LB.)	1	Not Shown
36-20926-05	Paper, Xerographic (8.5 x 14, 20 LB.)	1	Not Shown
36-20926-05	Paper, Xerographic (8.5 x 14, 20 LB.)	1A	Not Shown
36-20926-06	Paper, Xerographic (210 x 297MM, 20 LB.)	1	Not Shown
36-20926-06	Paper, Xerographic (210 x 297MM, 20 LB.)	1A	Not Shown
36-20926-07	Paper, Xerographic (11 x 17, 20 LB.)	1	Not Shown
36-20926-07	Paper, Xerographic (11 x 17, 20 LB.)	1A	Not Shown
36-20926-09	Paper, Xerographic (297 x 420MM, 20 LB.)	1A	Not Shown
36-20926-09	Paper, Xerographic (297 x 420MM, 20 LB.)	1	Not Shown
36-20926-11	Paper, Xerographic (364 x 257MM, 20 LB.)	1A	Not Shown
36-20926-11	Paper, Xerographic (364 x 257MM, 20 LB.)	1	Not Shown

# INDEX BY DEC PART NUMBER

PrintServer 40/40 Plus

PART NO.	DESCRIPTION	FIG NO.	ITEM NO.
36-20926-12	Paper, Xerographic (135 x 257MM, 20 LB.)	1A	Not Shown
36-21232-19	Label, Postcard FTZ	1	Not Shown
36-21232-19	Label, Postcard FTZ	1A	Not Shown
36-23314-04	Label, "CPU + 1RD"	26A	Not Shown
36-23314-04	Label, "CPU + 1RD, Vertical"	26	Not Shown
36-25642-01	Label, "Attention Fan Speed Control"	26A	Not Shown
36-25642-01	Label, "Attention Fan Speed Control"	26	Not Shown
36-26818-01	Label, "Serial, BA23 USA"	26	Not Shown
36-26818-01	Label, "Serial" (USA)	26A	Not Shown
54-15633-00	Panel, BA23 Signal Distribution	30	2
54-16458-01	Module, BA23 Front Panel	29	9
54-16744-01	Module, Function SEL/SLU Console Connect	27	3
630QP-A3	CONTROLLER ASSEMBLY, LPS40	26	N/A
630QP-A3	CONTROLLER ASSEMBLY, LPS40	1	5
630QP-B3	CONTROLLER ASSEMBLY, LPS40	26	N/A
630QP-B3	CONTROLLER ASSEMBLY, LPS40 Kanji (added)	1	5
650QP-A3	CONTROLLER ASSEMBLY, LPS40 PLUS CVAX	26A	N/A
650QP-A3	CONTROLLER ASSEMBLY, LPS40 PLUS CVAX	1A	5
650QP-B3	CONTROLLER ASSEMBLY, LPS40 PLUS CVAX	26A	N/A
650QP-B3	CONTROLLER ASSEMBLY, LPS40 PLUS CVAX KANJI	1A	5
70-19979-00	Distribution Assembly, Rear	27	15
70-19985-03	Chassis Assembly (replaces 70-19985-01)	28	1
70-19986-00	BACKPLANE ASSEMBLY, DISTRIBUTION	30	N/A
70-19986-00	BACKPLANE ASSEMBLY, DISTRIBUTION	28	6
70-20434-01	Cable Assembly, AC On/Off Power	29	4
70-20449-0D	Cable Assembly, Fan	28	3
70-20451-1C	Cable, Control Panel to Back Plane	27	10
70-21860-02	CHASSIS ASSEMBLY, MicroVAX II	27	1
70-21860-02	CHASSIS ASSEMBLY, MICRO	28	N/A
70-22007-01	PANEL ASSEMBLY, CONTROL	29	N/A
70-22007-02	PANEL ASSEMBLY, CONTROL (replaces 70-22007-01)	27	2
70-22014-01	Distribution Assembly	26A	2
70-22014-01	Distribution Assembly	26	2
70-22015-01	Plane Assembly, Front	26	3
70-22015-01	Plane Assembly, Front	26A	3
70-22385-01	MicroVAX II ASSEMBLY	27	N/A
70-22385-01	MicroVAX II ASSEMBLY	26	1
70-22385-01	MicroVAX II ASSEMBLY	26A	1
70-22643-01	Controller Assembly, Fan Speed	26A	8
70-22643-01	Controller Assembly, Fan Speed	26	8
70-23341-07	Cable, Power (Japan)	1	Not Shown
74-27551-01	Bracket, Distribution	30	3
74-27564-01	Cover, RX/RD	28	5
74-27565-01	Bracket, AC Switch	29	6
74-27574-01	Cover, Rectangular Plate	27	12
74-28424-01	Shield, AC Bracket	29	2
74-28657-01	Plate, Control Panel	29	1
74-28683-01	Plate, Connector Back	27	13
74-30282-01	Panel, Control	29	10
74-38284-01	Insert, PrintServer 40plus	26A	Not Shown
74-38423-01	Cover, Logic (replaces 74-27751-01)	28	7

# INDEX BY DEC PART NUMBER

PrintServer 40/40 Plus

PART NO.	DESCRIPTION	FIG NO.	ITEM NO.
90-00049-01	Screw, Phi Pan Hd No. 6-32 x 1/4	27	14
90-00062-10	Screw, Sems Phi Pan Hd No. 6-32 x 5/8 (replaces 90-00049-01)	28	4
90-06565-00	Nut, Kep No. 10-32 x 3/8	29	7
90-06659-00	Washer, Flat No. 6 (deleted)	27	16
90-07031-00	Tie, Cable	27	8
90-07034-00	Tie, Cable	26	Not Shown
90-07034-00	Tie, Cable Self-Lock	26A	Not Shown
90-07035-00	Grommet, Caterpillar	29	3
90-08055-00	Nut, Self-Locking Hex No. 6-32 x 5/16	30	5
90-08264-00	Mount, Cable Tie	27	7
90-08264-00	Clamp, Cable for Flat Cable	27	6
90-09255-04	Label, "Part Number, Rev, Mfg."	29	Not Shown
90-09255-04	Label, "Part Number, Rev, Mfr"	30	Not Shown
90-09545-00	Screw, Sems Phi Pan Hd No. 8-32 x 1/4	30	6
90-09672-01	Spacer, Non-Metallic No. 8	30	4
90-09800-00	Screw, Self-Tapping Phi Pan Hd No. 6-32 x 1/2	29	8
90-09991-00	Nut, Kep No. 6 (deleted)	27	17
90-10155-00	Screw, Sems Phi Pan Hd No. 6-32 x 5/16	29	5
90-10174-00	Screw, Sems Phi Pan Hd No. 6-32 x 1/4	27	9
90-10174-01	Screw, Sems Phi Pan Hd No. 8-32 x 5/16	28	8
BC27H-05	Cable Assembly (5 Ft) (Not Shown)	26A	6
BC27H-05	Cable Assembly, (5 Ft) (Not Shown)	26	6
BCC08-10	Cable Assembly, 10 Ft ODT for PC300 (Not Shown)	26	7
CK-DELQA-YB	Cable Kit for DELQA (Not Shown) (added) (replaces CK-DEQNA-KB)	26	5
CK-DELQA-YB	Kit, for 12 Inch Cable (DELQA) (Not Shown)	26A	5
DELQA-M	Adaptor, DEC Ethernet Q-bus (added) (replaces DELQNA-M)	26	4
DELQA-M	Adapter, Q-bus/Ethernet	26A	4
EK-LPS40-CA	Documentation, Operators Reference Cards (Japan)	1	Not Shown
EK-LPS40-CA	Documentation, Operators Reference Cards (Japan)	1A	Not Shown
EK-LPS40-IN	Documentation, Installation Guide	1	Not Shown
EK-LPS40-IN	Documentation, Installation Guide	1A	Not Shown
EK-LPS40-OG	Documentation, LPS40 Operators Guide (Japan)	1	Not Shown
EK-LPS40-OG	Documentation, Operators Guide (Japan)	1A	Not Shown
EK-LPS40-OP	Documentation, Operators Guide	1	Not Shown
EK-LPS40-OP	Documentation, Operators Guide	1A	Not Shown
EK-LPS40-RC	Documentation, Operators Reference Cards	1A	Not Shown
EK-LPS40-RC	Documentation, Operators Reference Cards	1	Not Shown
EK-LPS40-RM	Documentation, Read Me First (Japan)	1A	Not Shown
EK-LPS40-RM	Documentation, Read Me First	1	Not Shown
H7868-B	Power Supply, 5V, 36A, +12V, 7A 230W (replaces H7864-A)	28	2
H927B-A	Backplane, Q22 Bus 8 Quad Slots	30	1
LK201-RE	KEYBOARD ASSEMBLY, LK201-A	1	8
LK201-RE	KEYBOARD ASSEMBLY, LK201-A	1A	8
LN02-AA	ENGINE, LASER PRINT	1A	1
LN02-AA	ENGINE, LASER PRINT	1	1
LN02-AB	ENGINE, LASER PRINT	1A	1
LN02-AB	ENGINE, LASER PRINT	1	1

# INDEX BY DEC PART NUMBER

PrintServer 40/40 Plus

PART NO.	DESCRIPTION	FIG NO.	ITEM NO.
LN02X-AA	TRAY ASSEMBLY, LARGE CAPACITY INPUT/ STACKER, FACE DOWN	1	2
LN02X-AA	TRAY ASSEMBLY, LARGE CAPACITY INPUT/ STACKER, FACE DOWN	1A	2
LPS40-A3	Model LPS40-A3 (Europe/International Version)	1	N/A
LPS40-AA	Model LPS40-AA (U.S./Canada Version)	1	N/A
LPS40-AJ	Model LPS40-AJ (Japan/Kanji Version)	1	N/A
LPS40-D3	Model LPS40-D3 (Europe/International Version)	1A	N/A
LPS40-DA	Model LPS40-DA (U.S./Canada Version)	1A	N/A
LPS40-DJ	Model LPS40-DJ (Japan/Kanji Version)	1A	N/A
LPS40-E3	Model LPS40-E3 (International Version)	1	N/A
LPS40-EA	Model LPS40-EA (U.S./Canada Version)	1	N/A
LPS40-EJ	Model LPS40-EJ (Japan/Kanji Version)	1	N/A
LPS40-F3	Model LPS40-F3 (International Version)	1A	N/A
LPS40-FA	Model LPS40-FA (U.S./Canada Version)	1A	N/A
LPS40-FJ	Model LPS40-FJ (Japan/Kanji Version)	1A	N/A
M7507-00	Module, Full Page Bitmap Memory (2.5MB)	26	Not Shown
M7507-00	Module, Full Page Bitmap Memory (2.5MB)(Simplex)	26A	Not Shown
M7507-YA	Module, Full Page Bitmap Memor (2.5MB)(Duplex)	26A	Not Shown
M7508-00	Module, 29116 Image Generator Processor	26	Not Shown
M7508-00	Module, 29116 Image Generator Processor	26A	Not Shown
M7509-00	Module, Q-bus/Print Engine Interface	26	Not Shown
M7509-00	Module, Q-bus/Print Engine Interface	26A	Not Shown
M7510-AA	Module, Horizontal Line Processor w/256KB Font RAM	26	Not Shown
M7510-AA	Module, Horizontal Line Processor w/256KB Font RAM	26A	Not Shown
M7519-AA	Module, Horizontal Line Processor w/1MB Font RAM (256KB)	26A	Not Shown
M7519-AA	Module, Horizontal Line Processor w/256KB Font RAM	26	Not Shown
M7606-AA	Module, MicroVAX II w/1MB, Floating Point	26	Not Shown
M7620-BA	Module, M7620-AA w/MOD ROM Code for Single	26A	Not Shown
M9047-00	Module, Q-bus Grant Continuity (added)	26	Not Shown
MS630-CA	Module, 8MB Memory Expansion (added) (replaces MS630-BB)	26	Not Shown
MS650-BA	Module, 16MB Memory Array for KA650 (added) (replaces MS650-AA)	26A	Not Shown
PS2K1-AA	KIT, LPS40 COUNTRY (U.S./English)	1	Not Shown
PS2K1-AA	KIT, LPS40 COUNTRY (U.S./English)	1A	Not Shown
PS2K1-AB	KIT, LPS40 COUNTRY (Europe/International)	1A	Not Shown
PS2K1-AB	KIT, LPS40 COUNTRY (Europe/International)	1	Not Shown
PS2K1-AJ	KIT, LPS40 COUNTRY (Japanese/Kanji)	1	Not Shown
PS2K1-AJ	KIT, LPS40 COUNTRY (Japanese/Kanji)	1A	Not Shown
VT2XX-AA	Stand, VT Terminal (replaces 34-23503-01)	1	7
VT2XX-AA	Stand, System (replaces 34-23503-01)	1A	7
VT320-A3	TERMINAL, VT320 VIDEO (w/White Phosphor)(240V)	1	6
VT320-A3	TERMINAL, VT320 VIDEO (W/White Phosphor)(240V)	1A	6
VT320-C3	TERMINAL, VT320 VIDEO (w/Amber Phosphor)(240V)	1A	6
VT320-C3	TERMINAL, VT320 VIDEO (w/Amber Phosphor)(240V)	1	6
VT382-FB	TERMINAL, VT382 VIDEO (w/White Phosphor) (Kanji Text ,240V)	1A	9
VT382-FB	TERMINAL, VT382 VIDEO (Monochrome) (Kanji Text, 240V)	1	9



# INDEX BY DEC PART DESCRIPTION

PrintServer 40/40 Plus

DESCRIPTION	DEC PART NO.	FIG. NO.	ITEM NO.
<b>ACTUATOR ASSEMBLY</b>	<b>29-26609-00</b>	<b>10</b>	<b>25</b>
Actuator, Bottle Sensor	N/A	22	5
Actuator, Height Sensor	29-27208-01	4	6
Actuator, Home Position Sensor	29-26044-00	22	47
Actuator, Oil Pump	29-26037-00	20	32
Actuator, Right Overflow Sensor	N/A	10	26
Actuator, Transport Switch	29-26050-00	23	16
Adapter, Q-bus/Ethernet	DELQA-M	26A	4
Adaptor, DEC Ethernet Q-bus(added)(replaces DELQNA-M)	DELQA-M	26	4
Agitator	N/A	17	3
Anchor, Cartridge Lever Spring	N/A	13	72
<b>AOM</b>	<b>29-25828-00</b>	<b>15</b>	<b>25</b>
Arm, Assistant Guide Plate	29-26321-00	9	23
Arm, Left Front Inversion	N/A	9	39
Arm, Left Rear Inversion	N/A	9	36
Arm, Lower Front Feed Roller	N/A	10	51
Arm, Lower Rear Feed Roller	N/A	10	47
Arm, Mechanical Stop	N/A	2	24
Arm, Paper End Feeler	N/A	3	9
Arm, Paper Feed	N/A	13	27
Arm, Paper Feed	N/A	4	26
Arm, Pressure	N/A	18	14
Arm, Pressure Separation Roller	N/A	13	38
Arm, Right Front Inversion	N/A	9	3
Arm, Right Rear Inversion	N/A	9	6
Arm, Roller Separator	N/A	4	16
Arm, Upper Front Feed Roller	N/A	10	43
Arm, Upper Rear Feed Roller	N/A	10	46
<b>BACKPLANE ASSEMBLY, DISTRIBUTION</b>	<b>70-19986-00</b>	<b>30</b>	<b>N/A</b>
<b>BACKPLANE ASSEMBLY, DISTRIBUTION</b>	<b>70-19986-00</b>	<b>28</b>	<b>6</b>
Backplane, Q22 Bus 8 Quad Slots	H927B-A	30	1
Base, Bottom Plate	N/A	2	18
Base, Elevator	N/A	5	24
Base, Grip	N/A	23	11
Bearing, Ball (10 x 22 x 6MM)	N/A	5	45
Bearing, Ball (15 x 32 x 9MM)	N/A	17	78
Bearing, Ball (25 x 42 x 9MM)	N/A	20	57
Bearing, Ball (6 x 12 x 4MM)	N/A	19	23
Bearing, Ball (6 x 12 x 4MM)	N/A	14	22
Bearing, Ball (6 x 12 x 4MM)	N/A	9	13
Bearing, Ball (8 x 16 x 5MM)	29-27615-01	20	58
Bearing, Ball (8 x 16 x 5MM)	N/A	21	45
Bearing, Ball (8 x 16 x 5MM)	N/A	19	24
Bearing, Ball (8 x 16 x 5MM)	29-27615-01	14	23
Bearing, Ball (8 x 16 x 5MM)	29-27615-01	9	30
Bearing, Ball (8 x 16 x 5MM)	29-27615-01	5	4
Bearing, Ball (8 x 22 x 7MM)	N/A	20	59
Belt, Development Drive	29-25912-00	21	8
Belt, Drive Cleaning/Fusing	29-25862-00	21	69
Belt, Drive Drum	29-25859-00	21	55
Belt, Rubber	29-25815-00	19	14
Belt, Tightener Development Drive	N/A	21	12

# INDEX BY DEC PART DESCRIPTION

PrintServer 40/40 Plus

DESCRIPTION	DEC PART NO.	FIG. NO.	ITEM NO.
Belt, Timing	29-25908-00	5	3
Belt, Timing	29-25906-00	5	35
Belt, Timing	29-25905-00	3	36
Belt, Timing 90XL	29-26288-00	21	30
Blade Assembly, Doctor	N/A	17	38
Blade, Cleaning	29-25812-00	18	21
Blade, Scraper	N/A	18	23
Blade, Solenoid Cleaning	29-25861-00	21	68
Bolt, Wing (M4)	N/A	2	2
Boss, Brake, Registration	N/A	13	64
Bottle, Developer Collection	29-25843-00	12	11
Bracket Assembly, Guide	N/A	20	72
BRACKET ASSEMBLY, SENSOR (LN02)	29-26612-00	3	6
Bracket, AC Inlet	N/A	25	38
Bracket, AC Inlet Panel	N/A	25	26
Bracket, AC Power Supply	N/A	8	5
Bracket, AC Switch	74-27565-01	29	6
Bracket, Adjustable Frame	N/A	5	13
Bracket, Adjustable Latch Lever Elbow	N/A	5	38
Bracket, Adjustable Lower Front Pulley	N/A	5	42
Bracket, Adjustable Rail	N/A	5	29
Bracket, Adjustable Upper Front Pulley	N/A	5	57
Bracket, Bottle Sensor	N/A	22	7
Bracket, Brake	N/A	21	37
Bracket, Cartridge Sensor	N/A	22	11
Bracket, Cassette Motor	N/A	13	86
Bracket, Clamp	N/A	25	20
Bracket, Cleaning/Fusing Drive	N/A	21	66
Bracket, Clutch Stopper	N/A	13	58
Bracket, Collection Bottle	N/A	23	5
Bracket, Cord Clamp 70	N/A	22	52
Bracket, Development Solenoid	N/A	21	6
Bracket, Distribution	74-27551-01	30	3
Bracket, Drive Arm Shaft	N/A	13	16
Bracket, Drum Drive	N/A	21	54
Bracket, Exit	N/A	23	26
Bracket, Exit Tray	N/A	23	29
Bracket, Feed	N/A	4	20
Bracket, Feed Solenoid	N/A	13	80
Bracket, Front Cover Switch	29-26042-00	22	10
Bracket, Front Elevator Belt	N/A	5	25
Bracket, Front Support	N/A	2	15
Bracket, Height Sensor	N/A	4	4
Bracket, Home Position Sensor	N/A	22	46
Bracket, Indicator Panel	N/A	22	2
Bracket, Left Inner Cover	N/A	23	32
Bracket, Left Overflow Sensor	N/A	10	29
Bracket, Left Rear	N/A	23	20
Bracket, Lower Rear Adjustable Pulley	N/A	5	54
Bracket, Main Control Board	N/A	8	12
Bracket, Main Switch	N/A	25	5
Bracket, Main Switch	N/A	22	24
Bracket, Main Switch	N/A	8	28

# INDEX BY DEC PART DESCRIPTION

PrintServer 40/40 Plus

DESCRIPTION	DEC PART NO.	FIG. NO.	ITEM NO.
Bracket, Mechanical Stop	N/A	2	27
Bracket, Oil Pipe	N/A	20	21
Bracket, Oil Supply	N/A	20	31
Bracket, Paper End	N/A	3	8
Bracket, Paper End Sensor	N/A	3	4
Bracket, Paper Feed Assembly	N/A	13	25
Bracket, Paper Height Detector	N/A	13	82
Bracket, Paper-Separator	N/A	13	41
Bracket, Pick-Up Solenoid	N/A	4	7
Bracket, Pulse Generator	N/A	10	18
Bracket, Rear Cover	N/A	23	23
Bracket, Rear Elevator Belt	N/A	5	20
Bracket, Rear Support	N/A	2	3
Bracket, Rear T & D Corona	N/A	16	12
Bracket, Registration Drive	N/A	21	31
Bracket, Relay Roller	N/A	3	51
Bracket, Release Lever Stopper	N/A	23	33
Bracket, Right Overflow Sensor	N/A	10	27
Bracket, Right Rear	N/A	23	15
Bracket, Rotary Catch	N/A	8	23
Bracket, Saddle Clamp 40	N/A	22	50
Bracket, Safety Sensor	N/A	6	4
Bracket, Size Detector	N/A	13	8
Bracket, Slider Plate	N/A	21	4
Bracket, Spring Hook	N/A	10	50
Bracket, Tension	N/A	10	13
Bracket, Thermistor	N/A	20	26
Bracket, Toner Density, PCB	N/A	22	12
Bracket, Upper	N/A	20	23
Bracket, Upper Rear	N/A	23	19
Bracket, Upper Rear Adjustable Pulley	N/A	5	53
Bracket, Vertical Feed Clutch	N/A	9	29
Bracket, Vertical Feed Door	N/A	10	37
Brake, Registration Boss	N/A	21	34
Brake, Registration Roller	N/A	21	33
Breaker, Circuit 16A/250V	29-25888-00	25	8
Breaker, Circuit 1A 250V	29-26320-00	8	33
Breaker, Circuit 1A/250V	29-25889-00	25	9
Brush, Anti-Static	29-25856-00	20	90
Brush, Cleaning	29-25821-00	18	20
Brush, Long Antistatic	29-26323-00	9	55
Brush, Medium Antistatic	29-26326-00	10	32
Brush, Short Antistatic	29-26325-00	10	31
Bumper, Rubber Door	N/A	24	4
Bushing (10MM)	N/A	13	1
Bushing (13MM)	N/A	7	10
Bushing (6 x 10 x 6MM)	N/A	20	78
Bushing (6 x 10 x 6MM)	N/A	18	10
Bushing (6 x 10 x 8MM)	N/A	20	102
Bushing (6MM)	N/A	4	57
Bushing (6MM)	29-27610-01	9	19
Bushing (7.9M)	N/A	6	12
Bushing (7.9MM)	N/A	7	11

# INDEX BY DEC PART DESCRIPTION

PrintServer 40/40 Plus

DESCRIPTION	DEC PART NO.	FIG. NO.	ITEM NO.
Bushing (8MM)	N/A	4	50
Bushing (8MM)	N/A	3	44
Bushing (11.5MM)	N/A	21	49
Bushing (6 x 10 x 6MM)	N/A	13	40
Bushing (6 x 10 x 6MM)	29-27610-01	10	17
Bushing (6 x 10 x 6MM)	29-27610-01	13	17
Bushing (6 x 10 x 6MM)	N/A	9	18
Bushing (6MM)	N/A	17	10
Bushing (6MM)	N/A	10	23
Bushing (6MM)	N/A	5	66
Bushing (8M)	29-27616-01	20	43
Bushing (8MM)	29-27616-01	23	3
Bushing (8MM)	N/A	17	11
Bushing (8MM)	N/A	9	43
Bushing (8MM)	29-27616-01	13	26
Bushing (M4 x 5)	N/A	12	15
Bushing, Hot Roller	N/A	20	10
Bushing, Open/Close	N/A	10	61
Bushing, Open/Close (20.2MM)	N/A	13	56
Bushing, Open/Close (20.2MM)	N/A	13	65
Bushing, Paper Feed Roller	N/A	13	20
Bushing, Power Cable (US)	N/A	24	28
Bushing, Upper Registration Roller	N/A	14	13
Bushing, Upper Registration Roller	N/A	3	16
C-Ring, Retaining (M17)	N/A	16	34
Cabinet, Paper	N/A	2	12
Cable Assembly, (5 ft) (Not Shown)	BC27H-05	26A	6
Cable Assembly, (5 ft) (Not Shown)	BC27H-05	26	6
Cable Assembly, (BC17H-05)	17-00677-05	1	10
Cable Assembly, (BC27H-05)	17-00677-05	1A	10
Cable Assembly, 10 Ft ODT for PC300 (Not Shown)	BCC08-10	26	7
Cable Assembly, 12 Cond Molded Shld 25S	17-00677-05	26A	Not Shown
Cable Assembly, 20 Cond Flat	17-00673-01	26	Not Shown
Cable Assembly, 20 Cond Flat (J1 to J1)	17-00673-01	26A	Not Shown
Cable Assembly, 20 Pin	17-00712-02	27	5
Cable Assembly, 50 Cond Flat	17-01898-01	26A	Not Shown
Cable Assembly, 7 Cond Molded Shld 25	17-00301-00	26A	7
Cable Assembly, AC On/Off Power	70-20434-01	29	4
Cable Assembly, AC Power Switch	29-25885-00	24	31
Cable Assembly, DC Power Drive (replaces 70-20435-1K)	17-01356-02	28	9
Cable Assembly, Fan	70-20449-0D	28	3
Cable Assembly, Video Signal	N/A	22	87
Cable Kit for DELQA (Not Shown) (added)	CK-DELQA-YB	26	5
(replaces CK-DEQNA-KB)Cable, AOM	N/A	15	24
Cable, Breaker	29-26399-00	7	6
Cable, Console Backplane, 10 Pin	17-00624-01	27	4
Cable, Control Panel to Back Plane	70-20451-1C	27	10
Cable, High Voltage Bias	N/A	22	67
Cable, High Voltage Charge	N/A	22	66
Cable, High Voltage PCC	N/A	22	65
Cable, I/F Print Engine	29-26283-00	1A	Not Shown
Cable, I/F Print Engine Data DC	29-26283-00	1	Not Shown
Cable, I/F Face Down Stacker	29-26284-00	1A	Not Shown

# INDEX BY DEC PART DESCRIPTION

PrintServer 40/40 Plus

DESCRIPTION	DEC PART NO.	FIG. NO.	ITEM NO.
Cable, I/F Face Down Stacker	29-26284-00	1	Not Shown
Cable, I/F Large Capacity Input Tray	29-26271-00	1A	Not Shown
Cable, I/F Large Capacity Input Tray	29-26271-00	1	Not Shown
Cable, Interface	29-26271-00	6	1
Cable, Interface	29-26271-00	7	4
Cable, Interface DC Data (FDS)	29-26284-00	8	17
Cable, Main Motor Relay	N/A	8	32
Cable, PCB	29-26295-00	6	3
Cable, PCB	N/A	7	2
Cable, Power (Japan)	70-23341-07	1	Not Shown
Cable, Power (U.S.)	29-26285-00	1A	Not Shown
Cable, Power (U.S.)	29-26285-00	1	Not Shown
Cable, Power MicroVAX (International)	29-26278-00	1A	Not Shown
Cable, Power MicroVAX (International)	29-26278-00	1	Not Shown
Cable, Power MicroVAX (U.S.)	29-26282-00	1A	Not Shown
Cable, Power MicroVAX (U.S.)	29-26282-00	1	Not Shown
Cable, Power Print Engine (International)	29-26279-00	1	Not Shown
Cable, Power Print Engine (International)	29-26279-00	1A	Not Shown
Cable, Power Print Engine (U.S.)	29-26269-00	1A	Not Shown
Cable, Power Print Engine (U.S.)	29-26269-00	1	Not Shown
Cable, Power Supply Relay	29-26300-00	7	7
Cable, Power Video Terminal (International)	29-26277-00	1A	Not Shown
Cable, Power Video Terminal (International)	29-26277-00	1	Not Shown
Cable, Power Video Terminal (U.S.)	29-26276-00	1	Not Shown
Cable, Power Video Terminal (U.S.)	29-26276-00	1A	Not Shown
Cable, Printer I/F Data DC	29-26283-00	22	74
Cable, Relay	29-26302-00	3	29
Cable, Relay Video Board	N/A	22	26
Cable, Service Panel	N/A	22	28
Cable, Size Detector	N/A	13	13
Cable, Size Detector Paper End Sensor	N/A	13	9
Cable, Stack Over Sensor (deleted)	N/A	22	56
Cable, Sync Detector	N/A	15	21
Cable, Temperature Fuse	29-25808-00	20	22
Cable, Transport	N/A	19	1
Cable, Upper Paper End Sensor	N/A	13	33
Cable, Video Control	N/A	22	42
Cable, VT Power (International)	29-26277-00	24	22
Cable, VT Power (US)	29-26276-00	24	22
Cable, W/Connector Fusing	N/A	20	67
Cable/Jumper Assembly 2.5 meters (6A)	17-00365-03	1	Not Shown
Cam Assembly, Inversion	29-26345-00	9	10
Cam, Eccentric AOM	N/A	15	23
Cap, Development	N/A	17	62
Cap, Large Left Cover	N/A	8	19
Cap, Large Shield	N/A	15	22
Cap, Oil Tank	N/A	20	64
Cap, Small Left Cover	N/A	8	20
Cap, Small Shield	N/A	15	10
Casing, Cartridge	N/A	17	16
Casing, Cleaning Unit	N/A	18	25
Casing, Hopper	N/A	17	17
Cassette Cover (A3)	N/A	11	10

# INDEX BY DEC PART DESCRIPTION

PrintServer 40/40 Plus

DESCRIPTION	DEC PART NO.	FIG. NO.	ITEM NO.
Cassette Cover (A4)	N/A	11	10
Cassette, Double Letter	34-25288-02	11	9
Cassette, Letter	34-25288-01	11	9
Caster	N/A	24	12
Caster (M50 x 65)	N/A	2	13
Caster, W/Lock	N/A	24	14
Caster, w/Lock Adjustable	N/A	24	9
Catch, Door	N/A	24	2
Catch, Door Magnet	29-26308-00	2	14
Catch, Rotary	29-26318-00	8	22
Chain, Bushed Roller 222P	29-26337-00	10	15
Chain, Hook Link	29-25819-00	17	81
Chain, Mechanical Stop	N/A	2	22
Chamber, Transport	N/A	19	17
Chassis Assembly (replaces 70-19985-01)	70-19985-03	28	1
CHASSIS ASSEMBLY, MICRO	70-21860-02	28	N/A
CHASSIS ASSEMBLY, MicroVAX II	70-21860-02	27	1
CHASSIS/BRACKET, PRINT ENGINE	N/A	23	N/A
Clamp	N/A	6	11
Clamp, (DKS-16-1)	N/A	25	51
Clamp, Cable	N/A	20	7
Clamp, Cable	N/A	3	47
Clamp, Cable for Flat Cable	90-08264-00	27	6
Clamp, Cleaning Unit	29-27842-01	16	29
Clamp, Cord AC	N/A	20	25
Clamp, Cord DC	N/A	20	24
Clamp, Harness (WS-1NSV)	N/A	7	13
Clamp, Harness (WS-2NS)	N/A	7	9
Clamp, Harness (WS-2NS)	N/A	6	10
Clamp, Harness (WS-2WS)	N/A	7	14
Clamp, Harness (WS-2WS)	N/A	5	56
CLEANING UNIT	29-25847-00	11	5
CLEANING UNIT, PRINT ENGINE	29-25847-00	18	N/A
Clip, Cable (20MM)	N/A	24	24
Clip, Cable (4.5MM)	N/A	8	43
Clip, Long Cable (5.2MM)	N/A	21	46
Clip, Long Cable (5.2MM)	N/A	8	44
Clip, Nylon	N/A	24	20
Clip, Nylon	N/A	15	39
Clip, Nylon	N/A	14	24
Clip, Nylon	N/A	13	55
Clip, Nylon (2N)	N/A	8	45
Clip, Nylon (3N)	N/A	5	62
Clip, Nylon (3N)	N/A	3	48
Clip, Nylon (3N) (Not Shown)	N/A	8	46
Clip, Nylon (4N)	N/A	6	14
Clip, Nylon (6N)	N/A	8	48
Clip, Nylon (7N)	N/A	7	12
Clip, Nylon 3N	N/A	22	37
Clip, Short Cable (20MM)	N/A	25	49
Clip, Short Cable (5.2MM)	N/A	8	47
Clip, Wire	N/A	21	48
Clip,Cable (11.5MM)	N/A	22	85
Clip,Cable (16MM)	N/A	22	86

# INDEX BY DEC PART DESCRIPTION

PrintServer 40/40 Plus

DESCRIPTION	DEC PART NO.	FIG. NO.	ITEM NO.
Clip,Nylon 2N	N/A	22	83
Clip,Nylon 4N	N/A	22	84
Clutch Assembly, Vertical Feed	29-26346-00	9	11
Clutch, (6MM) Oneway	29-27210-01	4	48
Clutch, Drive Development Knob	N/A	17	51
Clutch, Lower Feed (Trans Mag)	29-25904-00	4	30
Clutch, Magnetic Feed	29-25838-00	13	59
Clutch, Magnetic Registration	29-25839-00	13	60
Clutch, Magnetic Registration Drive	N/A	21	29
Clutch, Slip	N/A	20	76
Clutch, Upper Feed	29-25903-00	4	41
Collar, Development Drive Shaft	N/A	21	20
Collar, Drive Shaft	N/A	20	46
Collar, Release Cam	N/A	18	12
Collar, Shaft Fixing	N/A	21	35
Collar, Shaft Fixing	N/A	13	62
Collar, Spring	N/A	18	4
Controller Assembly, Fan Speed	70-22643-01	26	8
Controller Assembly, Fan Speed	70-22643-01	26A	8
CONTROLLER ASSEMBLY, LPS40	630QP-B3	26	N/A
CONTROLLER ASSEMBLY, LPS40	630QP-A3	26	N/A
CONTROLLER ASSEMBLY, LPS40	630QP-A3	1	5
CONTROLLER ASSEMBLY, LPS40 Kanji (added)	630QP-B3	1	5
CONTROLLER ASSEMBLY, LPS40 PLUS CVAX	650QP-B3	26A	N/A
CONTROLLER ASSEMBLY, LPS40 PLUS CVAX	650QP-A3	26A	N/A
CONTROLLER ASSEMBLY, LPS40 PLUS CVAX	650QP-A3	1A	5
CONTROLLER ASSEMBLY, LPS40 PLUS CVAX KANJI	650QP-B3	1A	5
Controller Unit, Device	N/A	24	32
Controller, Fusing Temperature	29-25913-00	22	55
Cord, AC Power (Europe)	29-26279-00	22	73
Cord, AC Power (US)	29-26269-00	22	73
Cord, AC Power (US) (FDS)	29-26281-00	8	16
Cord, AC Power LCIT:PDU	29-26270-00	7	3
Cord, Power (250V 20A)	2J-H078A-01	1	Not Shown
Cord, Power (250V 20A)	2J-H078A-01	1	Not Shown
Cord, Power (250V 20A)	2J-H078A-01	1A	Not Shown
Cord, Power (250V 20A)	2J-H078A-01	1A	Not Shown
Cord, Power (6A)	17-00442-03	26A	Not Shown
Cord, Power (for Terminal) 2.5 meters (6A)	17-00365-03	1A	Not Shown
Cord, Power (for Terminal) 2.5 meters (6A)	17-00365-03	1A	Not Shown
Cord, Power (for Terminal) 2.5 meters (6A)	17-00365-03	1	Not Shown
Cord, Power (International) (FDS)	29-26280-00	8	16
Cord, Power (MicroVAX)	29-26282-00	24	23
Cord, Power Face Down Stacker (International)	29-26280-00	1A	Not Shown
Cord, Power Face Down Stacker (International)	29-26280-00	1	Not Shown
Cord, Power Face Down Stacker (U.S.)	29-26281-00	1	Not Shown
Cord, Power Face Down Stacker (U.S.)	29-26281-00	1A	Not Shown
Cord, Power Large Capacity Input Tray	29-26270-00	1	Not Shown
Cord, Power Large Capacity Input Tray	29-26270-00	1A	Not Shown
Cord, Power Terminal 2.5 meters (6A)	17-00442-03	1	Not Shown
Corona Assembly, Charge	29-25830-00	16	4
Corona Assembly, T & D	29-25831-00	16	5
Counter, Maintenance	29-25872-00	22	21
Counter, Total	29-25880-00	22	72

# INDEX BY DEC PART DESCRIPTION

PrintServer 40/40 Plus

DESCRIPTION	DEC PART NO.	FIG. NO.	ITEM NO.
Cover Assembly, Front	29-26023-00	12	1
Cover, Agitator Drive	N/A	17	47
Cover, Bias Terminal	N/A	22	71
Cover, Bottom	N/A	2	10
Cover, Bottom Harness	N/A	2	17
Cover, Elevator Gear	N/A	5	48
Cover, Exit Assembly	N/A	20	88
Cover, Feed	N/A	13	32
Cover, Front	29-26319-00	8	24
Cover, Front Fusing	N/A	20	30
Cover, Front PCC Endblock	N/A	18	31
Cover, Fusing Slider	N/A	23	22
Cover, Large Upper Fusing	N/A	20	19
Cover, Left	29-26027-00	12	10
COVER, LEFT	29-26331-00	8	18
Cover, Left Inner	29-26274-00	12	4
Cover, Logic (replaces 74-27751-01)	74-38423-01	28	7
Cover, Main Switch Bracket	N/A	8	29
Cover, Motor	N/A	9	48
Cover, Open Relay	29-26287-00	22	53
Cover, Optical Housing	N/A	15	19
Cover, Paper End	N/A	3	11
Cover, Paper Feed Gear	29-27209-01	4	43
Cover, Paper Sensor	N/A	5	23
Cover, Plastic Harness	N/A	17	56
Cover, Rear	29-26347-00	24	21
Cover, Rear	29-26025-00	12	7
Cover, Rear	29-26334-00	8	8
Cover, Rear	N/A	2	4
Cover, Rear Elevator Belt	N/A	5	1
Cover, Rear Endblock PCC	N/A	18	8
Cover, Rectangular Plate	74-27574-01	27	12
Cover, Registration	N/A	12	3
Cover, Relay Gear	N/A	3	13
Cover, Relay Sensor	N/A	3	30
Cover, Right	29-26024-00	12	6
Cover, Right Inner	29-26273-00	12	2
Cover, RX/RD	74-27564-01	28	5
Cover, Sensor Harness	N/A	17	60
Cover, Separation Guide	29-25844-00	13	4
Cover, Service Panel	N/A	22	25
Cover, Small Upper Fusing	N/A	20	20
Cover, Top	N/A	2	7
Cover, Upper	29-26026-00	12	9
Cover, Upper	29-26328-00	8	15
Cover, Upper Development	N/A	17	39
Cover, Upper Frame	N/A	20	18
Cover, Upper Handle	N/A	20	15
Cover, Upper Lock Lever	N/A	20	17
Cover, Vacuum Fan	N/A	23	9
Cover, Video Power Control Board Shield	N/A	12	8
Cushion, Laser Tube	N/A	15	14
Cushion, Right Support Guide	N/A	9	51
Cushion, Rubber	N/A	21	67



# INDEX BY DEC PART DESCRIPTION

PrintServer 40/40 Plus

DESCRIPTION	DEC PART NO.	FIG. NO.	ITEM NO.
DC Power Backplane Cable Assembly (replaces 70-20450-01)	17-01311-01	28	Not Shown
DETECTOR ASSEMBLY, PAPER HEIGHT	29-26290-00	13	79
Detector, Paper	29-25892-00	9	47
Detector, Paper	29-25892-00	10	2
Detector, Paper	29-26312-00	4	34
Detector, Paper	29-26312-00	3	31
DEVELOPMENT UNIT	29-25850-00	11	8
DEVELOPMENT UNIT, PRINT ENGINE	29-25850-00	17	N/A
Disk, Perforation	29-26338-00	10	16
Distribution Assembly	70-22014-01	26A	2
Distribution Assembly	70-22014-01	26	2
Distribution Assembly, Rear	70-19979-00	27	15
Documentation, Installation Guide	EK-LPS40-IN	1A	Not Shown
Documentation, Installation Guide	EK-LPS40-IN	1	Not Shown
Documentation, LPS40 Operators Guide (Japan)	EK-LPS40-OG	1	Not Shown
Documentation, Operators Guide	EK-LPS40-OP	1	Not Shown
Documentation, Operators Guide	EK-LPS40-OP	1A	Not Shown
Documentation, Operators Guide (Japan)	EK-LPS40-OG	1A	Not Shown
Documentation, Operators Reference Cards	EK-LPS40-RC	1A	Not Shown
Documentation, Operators Reference Cards	EK-LPS40-RC	1	Not Shown
Documentation, Operators Reference Cards (Japan)	EK-LPS40-CA	1A	Not Shown
Documentation, Operators Reference Cards (Japan)	EK-LPS40-CA	1	Not Shown
Documentation, Read Me First	EK-LPS40-RM	1	Not Shown
Documentation, Read Me First (Japan)	EK-LPS40-RM	1A	Not Shown
DOOR	N/A	2	8
DOOR ASSEMBLY, VERTICAL FEED	29-26607-00	10	35
Door, Front Left	29-26354-00	24	7
Door, Front Right	29-26353-00	24	3
DRIVE ASSEMBLY, PRINT ENGINE	N/A	21	N/A
Drum	29-25822-01	16	11
DRUM ASSEMBLY, PRINT ENGINE	N/A	16	N/A
Drum, Casing	N/A	16	7
Drum, Temperature Sensor	29-25818-00	16	24
Duct, Charge Corona	N/A	16	21
Duct, Drum Fan	29-26031-00	16	17
Duct, Transport	29-26033-00	19	5
Duct, Vacuum Fan	29-26051-00	23	18
ELECTRICAL ASSEMBLY, PRINT ENGINE	N/A	22	N/A
ELECTRICAL COMPONENTS ASSEMBLY, FACE DOWN STACKER EXTERIOR (FDS)	N/A	8	N/A
ELEVATOR MOTOR ASSEMBLY (LN02)	29-26605-00	5	44
Endblock, Front PCC	N/A	18	30
Endblock, Rear PCC	N/A	18	6
ENGINE, LASER PRINT	LN02-AA	1A	1
ENGINE, LASER PRINT	LN02-AB	1A	1
ENGINE, LASER PRINT	LN02-AB	1	1
ENGINE, LASER PRINT	LN02-AA	1	1
EXIT ASSEMBLY, PAPER	29-25854-00	20	70
Fan, Drum (LNO2)	29-25824-00	16	16
Fan, Fusing	29-25876-00	22	62
Fan, Vacuum	29-25881-00	23	8
Feeler, Jam Detection	N/A	20	71
Feeler, Left Overflow Sensor	29-26340-00	10	65

# INDEX BY DEC PART DESCRIPTION

PrintServer 40/40 Plus

DESCRIPTION	DEC PART NO.	FIG. NO.	ITEM NO.
Feeler, Right Overflow Sensor	N/A	10	28
Filler, Paper End	29-26019-00	13	11
Filter Assembly, Noise	29-26333-00	8	6
Filter, Development	29-27218-01	17	35
Filter, Noise 16A/250V	29-26349-00	25	15
Filter, Noise 1A/250V	29-26351-00	25	15
Filter, Noise 1A/250V	29-26351-00	25	27
Filter, PTL	29-26029-00	14	11
Filter, Quenching Lamp	29-25817-00	16	23
Flange, Front Drum	N/A	16	8
Flange, Rear Drum	N/A	16	10
Foot, Rubber	N/A	23	10
Foot, Rubber	N/A	10	52
Frame, Adjustable	N/A	5	34
Frame, Exit Assembly	N/A	20	94
Frame, Left Fusing	N/A	20	63
Frame, Paper Feed	N/A	4	37
Frame, Rear Adjustable	N/A	5	15
Frame, Right Fusing	N/A	20	66
Fulcrum, Left Pin	N/A	22	39
Fulcrum, Right Pin	N/A	22	41
Funnel, Oil	N/A	20	1
FUSING UNIT	29-25848-00	11	6
FUSING UNIT, PRINT ENGINE	29-25848-00	20	N/A
Fusing Unit, Slider	N/A	23	24
Gate, Junction	N/A	9	53
Gear Head, Paper Drive Motor	N/A	4	1
Gear, 15T	N/A	18	11
Gear, 15T	N/A	13	87
Gear, 15T & 40T	N/A	13	88
Gear, 16T	N/A	21	17
Gear, 17T	N/A	10	20
Gear, 17T, Transport	N/A	21	76
Gear, 18T	N/A	17	9
Gear, 18T	N/A	20	12
Gear, 18T	N/A	13	30
Gear, 18T, Drive Shaft	N/A	13	39
Gear, 18T, Feed	N/A	4	25
Gear, 18T, Interior Separator	N/A	4	44
Gear, 18T, Roller Shaft	N/A	13	43
Gear, 18T, Separator	N/A	4	10
Gear, 19T	N/A	20	77
Gear, 19T	N/A	13	28
Gear, 19T, Feed	N/A	4	23
Gear, 20T	N/A	20	75
Gear, 22T	N/A	17	26
Gear, 22T w/Sprocket, 11T	N/A	10	14
Gear, 24T, Feed	N/A	4	40
Gear, 25T	N/A	17	13
Gear, 26T, Front Feed	N/A	4	31
Gear, 26T, Rear Feed	N/A	4	42
Gear, 28T	N/A	9	26
Gear, 29T, Lower External	N/A	4	36

# INDEX BY DEC PART DESCRIPTION

PrintServer 40/40 Plus

DESCRIPTION	DEC PART NO.	FIG. NO.	ITEM NO.
Gear, 29T, Lower Internal	N/A	4	35
Gear, 29T, Upper External	N/A	4	39
Gear, 29T, Upper Internal	N/A	4	38
Gear, 30T	N/A	20	9
Gear, 31T	N/A	3	14
Gear, 32T, Feed	N/A	4	29
Gear, 39T	N/A	17	12
Gear, 40T	N/A	20	11
Gear, 43T, Feed	N/A	4	32
Gear, 45T	N/A	13	89
Gear, 46T/15T	N/A	10	9
Gear, 47T w/Sprocket, 15T	N/A	10	10
Gear, Actuator	N/A	17	23
Gear, Agitator	N/A	17	58
Gear, Agitator Drive	N/A	17	53
Gear, Cam 35T	N/A	18	13
Gear, Cartridge Drive	N/A	17	25
Gear, Development Drive	N/A	21	21
Gear, Eccentric Oil Pump	N/A	20	33
Gear, Elevator Worm	N/A	5	49
Gear, Hopper Drive	N/A	17	7
Gear, Idle 24T	N/A	21	15
Gear, Idler 18T	N/A	17	28
Gear, Motor	29-26317-00	9	50
Gear, Pulley 22STS, 28T	N/A	21	10
Gear, Pulley 40Z	N/A	21	70
Gear, Relay Roller Drive	N/A	21	18
Gear, Separation Roller Drive	N/A	21	16
Grommet, Caterpillar	90-07035-00	29	3
Guide, Cassette Front	N/A	13	2
Guide, Cassette Rear	N/A	13	18
Guide, Cleaning Unit	29-26030-00	16	3
Guide, Development	N/A	23	13
Guide, Door	29-26309-00	2	16
Guide, Drum	N/A	16	6
Guide, Entrance Cover	29-27215-01	10	6
Guide, Entrance Tray	N/A	14	1
Guide, Feed Shaft	N/A	13	22
Guide, Feed Shaft	N/A	4	27
Guide, Front Holder Separation	N/A	13	6
Guide, Inversion Roller Shaft	N/A	9	1
Guide, Inverter Roller Shaft	N/A	10	41
Guide, Lower Entrance	29-27213-01	10	3
Guide, Lower Feed	N/A	14	2
Guide, Lower Relay Paper	N/A	3	39
Guide, Middle Feed	N/A	14	3
Guide, Paper Feed	N/A	10	30
Guide, PTL	29-27840-01	14	9
Guide, Separation	N/A	13	5
Guide, Separator	N/A	4	13
Guide, T & D Corona Assembly	N/A	19	9
Guide, Upper Entrance	29-27214-01	10	5
Guide, Upper Feed	N/A	13	21
Guide, Upper Paper	N/A	4	33

# INDEX BY DEC PART DESCRIPTION

PrintServer 40/40 Plus

DESCRIPTION	DEC PART NO.	FIG. NO.	ITEM NO.
Guide, Upper Paper Exit	N/A	20	89
Guide, Upper Paper Exit	N/A	10	8
Guide, Upper Relay Paper	N/A	3	22
<b>HARNASS ASSEMBLY, LARGE CAPACITY INPUT TRAY FRONT</b>	N/A	6	N/A
<b>HARNASS ASSEMBLY, LARGE CAPACITY INPUT TRAY REAR</b>	N/A	7	N/A
Harness, (PD NF-G) Europe	N/A	25	50
Harness, (PD PCB-LCIT)	N/A	25	28
Harness, AC Main	N/A	22	58
Harness, AC Main	29-26332-00	8	3
Harness, DC Main	N/A	22	57
Harness, DC Main	29-26327-00	8	14
Harness, DC Relay	N/A	16	15
Harness, Front Paper Relay	29-26292-00	5	26
Harness, Main Switch	N/A	25	3
Harness, Paper End	N/A	3	3
Harness, PD NF-PCB	N/A	25	12
Harness, PD PCB-CB-NF	N/A	25	10
Harness, Relay Device Controller	29-26352-00	25	36
Harness, Solenoid	29-26336-00	8	13
Heater, Fusing 120V, 900W	N/A	20	38
Heater, Fusing 230V, 900W	29-25852-00	20	38
Hinge, Door	N/A	2	5
Hinge, Front Cover	N/A	23	30
Hinge, Left Lower Door	N/A	24	11
Hinge, Right Lower Door	N/A	24	17
Hinge, Right Upper Door	N/A	24	16
Hinge, Right Upper Door	N/A	24	5
Holder, Band Laser Tube	N/A	15	15
Holder, Bias Terminal	N/A	22	69
Holder, Cam	N/A	18	1
Holder, Cleaning Blade	N/A	18	22
Holder, Connector Development Solenoid	N/A	21	7
Holder, CY2 Lens	N/A	15	2
Holder, Development Unit	N/A	16	13
Holder, Drum Shaft	N/A	21	52
Holder, Elevator Belt	N/A	5	19
Holder, Elevator Shaft	N/A	5	11
Holder, Fifth Mirror	N/A	15	16
Holder, Fourth Mirror	N/A	15	20
Holder, Front Slant	N/A	3	28
Holder, Lower Adjustable Belt	N/A	5	17
Holder, Module	12-09856-03	27	11
Holder, Oil Pipe	N/A	20	34
Holder, Rear Heater Socket	N/A	20	47
Holder, Rear Separation Guide	N/A	13	19
Holder, Rear Slant	29-26303-00	3	34
Holder, Separator Guide	N/A	4	47
Holder, Shaft	N/A	18	9
Holder, Shutter Spring	N/A	17	22
Holder, Slide Shaft	N/A	13	91
Holder, Upper Adjustable Belt	N/A	5	14
Hook	N/A	2	23

# INDEX BY DEC PART DESCRIPTION

PrintServer 40/40 Plus

DESCRIPTION	DEC PART NO.	FIG. NO.	ITEM NO.
Hook, S-Hook	N/A	21	32
Housing, Molding Optical	N/A	15	5
Idler, (4MM)	N/A	17	46
Idler, Registration Belt	29-26289-00	21	28
Inlet, w/Harness (PD NF-VT)	N/A	25	22
Inlet, w/Harness (PD PCB-EN)	N/A	25	23
Inlet, w/Harness (PD PCB-UN)	29-26343-00	25	24
Input Assembly, AC	29-26298-00	7	5
Input Assembly, AC 220/240V	29-26047-00	22	60
Insert, PrintServer 40plus	74-38284-01	26A	Not Shown
INVERTER ASSEMBLY, FACE DOWN STACKER	N/A	9	N/A
KEYBOARD ASSEMBLY, LK201-A	LK201-RE	1A	8
KEYBOARD ASSEMBLY, LK201-A	LK201-RE	1	8
Kit, Bracket (LCIT)	29-26595-00	5	Not Shown
Kit, Brake Registration (Print Engine)	29-26600-00	21	Not Shown
Kit, Door (LCIT)	29-26602-00	2	Not Shown
Kit, Drive Sprocket Gear	29-26032-00	17	Not Shown
Kit, Feed Roller	29-25837-00	4,13	Not Shown
Kit, Feeder (Print Engine)	29-26020-00	13	N/A
Kit, for 12 Inch Cable (DELQA) (Not Shown)	CK-DELQA-YB	26A	5
Kit, Gear	29-26603-00	3,4	Not Shown
Kit, Gear (FDS)	29-26598-00	9,10	N/A
Kit, Gear & Pulley (Main Drive)	29-26040-00	21	Not Shown
Kit, Hardware (FDS)	29-26599-00	8	N/A
Kit, High Voltage Cable	29-26048-00	22	Not Shown
Kit, Inversion (FDS)	29-26610-00	9	N/A
Kit, Lever (LCIT)	29-26596-00	5	Not Shown
KIT, LPS40 COUNTRY (Europe/International)	PS2K1-AB	1A	Not Shown
KIT, LPS40 COUNTRY (Europe/International)	PS2K1-AB	1	Not Shown
KIT, LPS40 COUNTRY (Japanese/Kanji)	PS2K1-AJ	1	Not Shown
KIT, LPS40 COUNTRY (Japanese/Kanji)	PS2K1-AJ	1A	Not Shown
KIT, LPS40 COUNTRY (U.S./English)	PS2K1-AA	1	Not Shown
KIT, LPS40 COUNTRY (U.S./English)	PS2K1-AA	1A	Not Shown
Kit, Miscellaneous Hardware	29-26052-00	2-25	Not Shown
Kit, Paper Drive Motor	29-26614-00	4	Not Shown
Kit, Retaining Rings & Clips	29-25883-00	3-24	Not Shown
Kit, Roller (Print Engine)	29-25841-00	14	Not Shown
Kit, Roller (FDS)	29-26611-00	9	Not Shown
Kit, Spring	29-25882-00	4-23	Not Shown
Kit, Spring (FDS)	29-26597-00	9	Not Shown
Kit, Spring (LCIT)	29-26601-00	22	Not Shown
Kit, Roller	29-26604-00	22	Not Shown
Knob, Fusing	N/A	20	40
Knob, Manual Development	N/A	17	49
Knob, Registration Roller	N/A	13	69
Knob, Registration Roller	N/A	5	50
Label, "Attention Fan Speed Control"	36-25642-01	26	Not Shown
Label, "Attention Fan Speed Control"	36-25642-01	26A	Not Shown
Label, "CPU + 1RD"	36-23314-04	26A	Not Shown
Label, "CPU + 1RD, Vertical"	36-23314-04	26	Not Shown
Label, "FCC, Class A Processor"	36-17880-02	26A	Not Shown
Label, "Part Number, Rev, Mfg."	90-09255-04	29	Not Shown
Label, "Part Number, Rev, Mfr"	90-09255-04	30	Not Shown

# INDEX BY DEC PART DESCRIPTION

PrintServer 40/40 Plus

DESCRIPTION	DEC PART NO.	FIG. NO.	ITEM NO.
Label, "Serial & Power, Universal" (USA)	36-17674-14	26A	Not Shown
Label, "Serial" (USA)	36-26818-01	26A	Not Shown
Label, "Serial, BA23 USA"	36-26818-01	26	Not Shown
Label, "Serial/Power, w/UL & CSA" (Canada)	36-17674-20	26A	Not Shown
Label, "Serial/Power, w/UL & CSA" (Ireland)	36-17674-01	26A	Not Shown
Label, "Warning, Equip. Rating" (added)	36-17905-17	26	Not Shown
Label, "Warning, Equipment Rating 220-240V"	36-17905-05	26A	Not Shown
Label, Postcard FTZ	36-21232-19	1A	Not Shown
Label, Postcard FTZ	36-21232-19	1	Not Shown
Lamp, Pre-Transfer	29-25833-00	14	10
Lamp, Quenching	29-25825-00	16	18
Latch, Door	29-26355-00	24	15
Lens Assembly, First Cylindrical	N/A	15	26
Lens Assembly, First Spherical	N/A	15	28
Lens Assembly, FO	N/A	15	7
Lens Assembly, Second Spherical	N/A	15	8
Lens Assembly, Sync Detecting	N/A	15	31
Lens, Second Cylindrical (CY2)	N/A	15	3
Lever, Blade Solenoid	N/A	21	59
Lever, Cartridge	29-26022-00	13	74
Lever, Elevate Cassette	29-26028-00	13	77
Lever, Front Relay Lock	N/A	3	21
Lever, Front Release Exit Assembly	N/A	20	93
Lever, Fusing Safety Switch	29-26043-00	22	18
Lever, Hopper Drive	N/A	17	24
Lever, Left Adjustable Latch	N/A	5	33
Lever, Pressure	29-26036-00	20	6
Lever, Pressure Blade Solenoid	N/A	21	60
Lever, Rear Relay Lock	N/A	3	40
Lever, Rear Release Assembly Exit	N/A	20	80
Lever, Release Transport	29-26871-00	23	1
Lever, Right Adjustable Latch	N/A	5	31
Lever, Separation Pawl Solenoid	N/A	21	62
Lever, Vertical Feed Clutch	29-26341-00	10	39
Lever, Vertical Feed Door	N/A	10	36
Lever, Vertical Feed Door Release	N/A	10	64
Limiters, Torque	N/A	13	35
Limiters, Torque	N/A	4	14
MicroVAX II ASSEMBLY	70-22385-01	26	1
MicroVAX II ASSEMBLY	70-22385-01	26A	1
MicroVAX II ASSEMBLY	70-22385-01	27	N/A
Mirror Assembly, First & Second	N/A	15	29
Mirror Assembly, Sync Detecting	N/A	15	30
Mirror Assembly, Third	N/A	15	12
Mirrors, Fourth & Fifth	N/A	15	17
MISCELLANEOUS COMPONENTS ASSEMBLY, FACE DOWN STACKER	N/A	10	N/A
Model LPS40-A3 (Europe/International Version)	LPS40-A3	1	N/A
Model LPS40-AA (U.S./Canada Version)	LPS40-AA	1	N/A
Model LPS40-AJ (Japan/Kanji Version)	LPS40-AJ	1	N/A
Model LPS40-D3 (Europe/International Version)	LPS40-D3	1A	N/A
Model LPS40-DA (U.S./Canada Version)	LPS40-DA	1A	N/A
Model LPS40-DJ (Japan/Kanji Version)	LPS40-DJ	1A	N/A

# INDEX BY DEC PART DESCRIPTION

PrintServer 40/40 Plus

DESCRIPTION	DEC PART NO.	FIG. NO.	ITEM NO.
Model LPS40–E3 (International Version)	LPS40–E3	1	N/A
Model LPS40–EA (U.S./Canada Version)	LPS40–EA	1	N/A
Model LPS40–EJ (Japan/Kanji Version)	LPS40–EJ	1	N/A
Model LPS40–F3 (International Version)	LPS40–F3	1A	N/A
Model LPS40–FA (U.S./Canada Version)	LPS40–FA	1A	N/A
Model LPS40–FJ (Japan/Kanji Version)	LPS40–FJ	1A	N/A
Module, 16MB Memory Array for KA650 (added) (replaces MS650–AA)	MS650–BA	26A	Not Shown
Module, 29116 Image Generator Processor	M7508–00	26A	Not Shown
Module, 29116 Image Generator Processor	M7508–00	26	Not Shown
Module, 8MB Memory Expansion (added) (replaces MS630–BB)	MS630–CA	26	Not Shown
Module, BA23 Front Panel	54–16458–01	29	9
Module, Beam Power Detector	29–25836–00	15	11
Module, Development Motor Drive	29–25867–00	22	14
Module, Device Controller	29–25851–00	25	35
Module, Full Page Bitmap Memory (2.5MB)	M7507–00	26	Not Shown
Module, Full Page Bitmap Memory (2.5MB) Duplex	M7507–YA	26A	Not Shown
Module, Full Page Bitmap Memory (2.5MB) Simplex	M7507–00	26A	Not Shown
Module, Function SEL/SLU Console Connect	54–16744–01	27	3
Module, Horizontal Line Processor w/1MB Font RAM (256KB)	M7519–AA	26A	Not Shown
Module, Horizontal Line Processor w/256KB Font RAM	M7510–AA	26	Not Shown
Module, Horizontal Line Processor w/256KB Font RAM	M7510–AA	26A	Not Shown
Module, Horizontal Line Processor w/256KB Font RAM	M7519–AA	26	Not Shown
Module, Interface	29–26335–00	8	9
Module, M7620–AA w/MOD ROM Code for Single	M7620–BA	26A	Not Shown
Module, Main Control (LN02)	29–25891–00	8	11
Module, Main Motor Drive	29–25869–00	22	16
Module, MicroVAX II w/1MB, Floating Point	M7606–AA	26	Not Shown
Module, Paper Drive Motor	29–26307–00	7	1
Module, Polygon Motor Drive	29–25868–00	22	15
Module, Q–bus Grant Continuity (added)	M9047–00	26	Not Shown
Module, Q–bus/Print Engine Interface	M7509–00	26	Not Shown
Module, Q–bus/Print Engine Interface	M7509–00	26A	Not Shown
Module, Registration Sensor	29–25832–00	14	8
Module, Sequence Control	29–25875–00	22	40
Module, Sequence Control	29–25875–00	11	1
Module, Sequence Controller	29–25898–00	6	2
Module, Sync Detector	29–25829–00	15	27
Module, Toner Density Control	29–25866–00	22	13
Module, Video Control	N/A	22	17
Module, Video Control	29–25870–00	11	2
Motor Assembly	29–25893–00	9	49
MOTOR ASSEMBLY, CASSETTE	29–25840–00	13	84
Motor, Cassette	N/A	13	85
Motor, Elevator	29–25900–00	5	46
Motor, Main 30V, 43W	29–25858–00	21	19
Motor, Paper Drive	29–25902–00	4	2
Mount, Cable Tie	90–08264–00	27	7
Nut, Adjustable Plate	N/A	5	18
Nut, Hex (M3)	N/A	25	40
Nut, Hex (M4)	N/A	20	60
Nut, Hex (M5)	N/A	24	19

# INDEX BY DEC PART DESCRIPTION

PrintServer 40/40 Plus

DESCRIPTION	DEC PART NO.	FIG. NO.	ITEM NO.
Nut, Kep No. 10–32 x 3/8	90–06565–00	29	7
Nut, Kep No. 6 (deleted)	90–09991–00	27	17
Nut, Self–Locking Hex No. 6–32 x 5/16	90–08055–00	30	5
<b>OPTICAL HOUSING UNIT</b>	29–25909–00	11	3
<b>OPTICAL HOUSING UNIT, PRINT ENGINE</b>	29–25909–00	15	N/A
Pack, Photo–Interrupter	29–25845–00	13	7
Pack, Photo–Interrupter	29–25845–00	5	27
Pack, Power B/C/PCC	29–25879–00	22	68
Pack, Power T & D	29–26035–00	19	8
Pad, Cleaning	29–25816–00	20	5
Pad, Oil	29–25811–00	20	36
Pan, Oil	N/A	20	4
<b>PANEL ASSEMBLY, CONTROL</b>	70–22007–01	29	N/A
<b>PANEL ASSEMBLY, CONTROL (replaces 70–22007–01)</b>	70–22007–02	27	2
Panel, AC Inlet	N/A	25	17
Panel, BA23 Signal Distribution	54–15633–00	30	2
Panel, Connector	29–26342–00	25	31
Panel, Control	74–30282–01	29	10
Panel, Device Controller Left	N/A	25	34
Panel, Device Controller Right	N/A	25	29
Panel, Front Side	N/A	2	19
Panel, Indicator	29–25842–00	12	5
Panel, Indicator PCB	29–25863–00	22	1
Panel, Operation PCB	29–25864–00	22	3
Panel, Operation Display	N/A	2	6
Panel, Paper Guide	N/A	2	20
Panel, Side Rear	N/A	2	1
<b>PAPER FEED ASSEMBLY, PRINT ENGINE</b>	N/A	13	N/A
<b>PAPER STOP ASSEMBLY</b>	29–27905–01	2	21
Paper, Xerographic (11 x 17, 20 LB.)	36–20926–07	1A	Not Shown
Paper, Xerographic (11 x 17, 20 LB.)	36–20926–07	1	Not Shown
Paper, Xerographic (135 x 257MM, 20 LB.)	36–20926–12	1A	Not Shown
Paper, Xerographic (210 x 297MM, 20 LB.)	36–20926–06	1	Not Shown
Paper, Xerographic (210 x 297MM, 20 LB.)	36–20926–06	1A	Not Shown
Paper, Xerographic (297 x 420MM, 20 LB.)	36–20926–09	1A	Not Shown
Paper, Xerographic (297 x 420MM, 20 LB.)	36–20926–09	1	Not Shown
Paper, Xerographic (364 x 257MM, 20 LB.)	36–20926–11	1A	Not Shown
Paper, Xerographic (364 x 257MM, 20 LB.)	36–20926–11	1	Not Shown
Paper, Xerographic (8.5 x 11, 20 LB.)	36–20926–04	1A	Not Shown
Paper, Xerographic (8.5 x 11, 20 LB.)	36–20926–04	1	Not Shown
Paper, Xerographic (8.5 x 14, 20 LB.)	36–20926–05	1A	Not Shown
Paper, Xerographic (8.5 x 14, 20 LB.)	36–20926–05	1	Not Shown
Pawl Assembly, Pick–Off	29–25820–00	18	3
Pawl, Separation	29–25855–00	20	84
Pin, Front Guide Cleaning	N/A	18	28
Pin, Fulcrum Vertical Feed Door	N/A	10	40
Pin, Pick–Off Pawl Shaft	N/A	18	18
Pin, Rear Guide Cleaning	N/A	18	16
Pipe, Joint	N/A	18	29
Pipe, Oil	N/A	20	29
Plane Assembly, Front	70–22015–01	26	3
Plane Assembly, Front	70–22015–01	26A	3



# INDEX BY DEC PART DESCRIPTION

PrintServer 40/40 Plus

DESCRIPTION	DEC PART NO.	FIG. NO.	ITEM NO.
Plate, Assistant Guide	N/A	9	8
Plate, Backspill	N/A	17	37
Plate, Blind Main Switch	N/A	22	29
Plate, Bottom	N/A	25	6
Plate, Bottom Drive Arm	N/A	13	14
Plate, Cable Clamp	N/A	19	6
Plate, Cartridge Guide	N/A	17	48
Plate, Connector Back	74-28683-01	27	13
Plate, Control Panel	74-28657-01	29	1
Plate, Damper	N/A	21	24
Plate, Development Bottom	N/A	17	1
Plate, Drum Stay Support	N/A	16	1
Plate, Entrance Guide	N/A	20	2
Plate, Front Drum Side	N/A	16	2
Plate, Front Entrance Side	N/A	10	1
Plate, Front Lower Side	N/A	17	57
Plate, Front Side Cleaning	N/A	18	27
Plate, Front Side Fusing	N/A	20	37
Plate, Front Side Transport	N/A	19	16
Plate, Front Upper Side	N/A	17	40
Plate, Gear Fixing	N/A	10	63
Plate, Hinge Nut	N/A	2	9
Plate, Junction Gate Guide	N/A	9	54
Plate, Left Exit Guide	N/A	9	41
Plate, Left Inversion Guide	N/A	9	46
Plate, Legal Paper	N/A	5	16
Plate, Letter Paper	N/A	5	16
Plate, Mag Angle Adjusting	N/A	17	43
Plate, Mechanical Stop	N/A	2	26
Plate, Outlet Blind (U.S.)	N/A	25	37
Plate, Paper Feed Shield	N/A	13	78
Plate, Rear Entrance Side	N/A	10	4
Plate, Rear Lower Side	N/A	17	6
Plate, Rear Side Cleaning	N/A	18	15
Plate, Rear Side Fusing	N/A	20	14
Plate, Rear Side Transport	N/A	19	4
Plate, Rear Upper Side	N/A	17	27
Plate, Return Lever Guide	N/A	8	26
Plate, Return Roller Spring	29-26310-00	9	35
Plate, Right Inversion Guide	N/A	9	9
Plate, Separation Pawl Release	N/A	20	83
Plate, Shield Fusing Fan	N/A	22	76
Plate, Shield Indicator	N/A	22	27
Plate, Shield Transformer	N/A	22	75
Plate, Side Drum Rear	N/A	23	17
Plate, Side Feed, Front	N/A	23	12
Plate, Side Feed, Rear	N/A	23	14
Plate, Side Fusing	N/A	23	28
Plate, Side Fusing Rear	N/A	23	21
Plate, Side Transport	N/A	23	4
Plate, Slider Development Shutter	N/A	21	3
Plate, Transport Guide	N/A	19	10
Plug, Rubber	N/A	24	8
Plug, Select	N/A	25	21

# INDEX BY DEC PART DESCRIPTION

PrintServer 40/40 Plus

DESCRIPTION	DEC PART NO.	FIG. NO.	ITEM NO.
Plug, Short Transformer	N/A	22	77
Power Cord	17-00442-03	26	Not Shown
Power Distribution Unit, Power Control Module	29-26348-00	25	13
Power Supply Unit	29-26356-00	24	30
Power Supply Unit, DC	29-25877-00	22	63
Power Supply Unit, LCIT	29-25899-00	5	12
Power Supply, 5V, 36A, +12V, 7A 230W	H7868-B	28	2
(replaces H7864-A)Power Supply, Controller (Europe)	29-27276-01	25	2
Power Supply, Controller (USA)	29-25886-00	25	2
Power Supply, DC	29-25877-00	11	4
Power Supply, Laser Drive	29-25835-00	15	9
POWER SUPPLY/DEVICE CONTROLLER UNIT,	N/A	25	N/A
SYSTEM CABINETPRINT ENGINE EXTERIOR	N/A	12	N/A
PRINT ENGINE UNIT COMPONENTS	N/A	11	N/A
PrintServer 40	N/A	1	N/A
PrintServer 40 Plus	N/A	1A	N/A
Pulley Assembly, Upper Elevator	29-26305-00	5	2
Pulley, 12XL	N/A	21	25
Pulley, 16STS	N/A	21	11
Pulley, 16XL	N/A	21	61
Pulley, 18STS	N/A	21	26
Pulley, Adjustable Front	29-26293-00	5	36
Pulley, Drive	N/A	19	13
Pulley, Drum	N/A	21	56
Pulley, Lower Elevator	29-26291-00	5	10
Pulley, Motor 24STS	N/A	21	9
Pulley, Motor 24XL	N/A	21	71
Pulley, Rear Adjustable	N/A	5	52
Pulley, Relay	N/A	3	35
Pulley, Right	N/A	19	15
Rail, Cleaning Unit	N/A	16	22
Rail, Front Elevator	N/A	5	41
Rail, Lower Adjustable	N/A	5	28
Rail, Rear Elevator	N/A	5	8
Rail, T & D Corona	N/A	16	20
Rail, Upper Adjustable	N/A	3	1
Receptacle, Corona	29-25823-00	16	14
Receptacle, T & D Corona	29-26034-00	19	7
REGISTRATION ASSEMBLY, PRINT ENGINE	N/A	14	N/A
Resistor, Elevator Motor	29-26301-00	3	12
Retainer, Bearing	N/A	17	14
Retaining Ring (M5)	N/A	21	78
Ring, Retaining	N/A	23	7
Ring, Retaining (M2.5)	N/A	17	70
Ring, Retaining (M3)	N/A	20	99
Ring, Retaining (M3)	N/A	22	35
Ring, Retaining (M3)	N/A	17	71
Ring, Retaining (M3)	N/A	13	50
Ring, Retaining (M3)	N/A	10	58
Ring, Retaining (M3)	N/A	3	42
Ring, Retaining (M4)	N/A	24	18
Ring, Retaining (M4)	N/A	20	100
Ring, Retaining (M4)	N/A	21	42
Ring, Retaining (M4)	N/A	20	52

# INDEX BY DEC PART DESCRIPTION

PrintServer 40/40 Plus

DESCRIPTION	DEC PART NO.	FIG. NO.	ITEM NO.
Ring, Retaining (M4)	N/A	18	26
Ring, Retaining (M4)	N/A	17	72
Ring, Retaining (M4)	N/A	10	59
Ring, Retaining (M4)	N/A	13	73
Ring, Retaining (M4)	N/A	9	63
Ring, Retaining (M4)	N/A	14	19
Ring, Retaining (M4)	N/A	13	51
Ring, Retaining (M4)	N/A	5	67
Ring, Retaining (M4)	N/A	4	49
Ring, Retaining (M4)	N/A	3	46
Ring, Retaining (M5)	N/A	20	101
Ring, Retaining (M5)	N/A	17	73
Ring, Retaining (M5)	N/A	19	21
Ring, Retaining (M5)	N/A	20	53
Ring, Retaining (M5)	N/A	13	52
Ring, Retaining (M5)	N/A	14	20
Ring, Retaining (M5)	N/A	4	46
Ring, Retaining (M6)	N/A	21	43
Ring, Retaining (M6)	N/A	20	54
Ring, Retaining (M6)	N/A	19	22
Ring, Retaining (M6)	N/A	17	74
Ring, Retaining (M6)	N/A	13	53
Ring, Retaining (M6)	N/A	9	64
Ring, Retaining (M6)	N/A	14	21
Ring, Retaining (M6)	N/A	10	60
Ring, Retaining (M6)	N/A	5	68
Ring, Retaining (M6)	N/A	4	51
Ring, Retaining (M6)	N/A	3	43
Ring, Retaining (M7)	N/A	20	55
Ring, Retaining (M7)	N/A	17	75
Ring, Retaining (M8)	N/A	17	76
Ring, Retaining (M8)	N/A	13	54
Ring, Retaining C–Type	N/A	20	56
Ring, Retaining C–Type (M14)	N/A	17	77
Ring, Retaining C–Type (M16)	N/A	21	79
Ring, Snap	N/A	13	3
Ring, Snap	N/A	4	12
Roller, Adjustable Bracket Frame	N/A	5	40
Roller, Boss Inversion	N/A	9	5
Roller, Development	N/A	17	5
Roller, Elevator	29–27212–01	5	21
Roller, Feed	N/A	13	31
Roller, Feed	29–25102–00	4	24
Roller, Hot	29–26038–00	20	44
Roller, Inversion Drive	N/A	9	52
Roller, Knob Registration	N/A	9	44
Roller, Left Inversion	N/A	9	38
Roller, Left Lower Exit	N/A	9	45
Roller, Left Transport	N/A	19	11
Roller, Left Upper Exit	29–26315–00	9	40
Roller, Lower Exit	N/A	20	92
Roller, Lower Registration	N/A	14	5
Roller, Lower Relay	29–27207–01	3	26
Roller, Paddle	N/A	17	4
Roller, Pre–Feed	29–25103–00	13	29

# INDEX BY DEC PART DESCRIPTION

PrintServer 40/40 Plus

DESCRIPTION	DEC PART NO.	FIG. NO.	ITEM NO.
Roller, Pre-Feed	29-25103-00	4	22
Roller, Pressure	29-26039-00	20	45
Roller, Pressure Spring Separation	N/A	13	37
Roller, Relay	N/A	14	4
Roller, Return	29-26314-00	9	34
Roller, Right Inversion	N/A	9	4
Roller, Right Lower Exit	29-26324-00	10	24
Roller, Right Transport	N/A	19	12
Roller, Right Upper Exit	29-26297-00	9	32
Roller, Separation	N/A	13	34
Roller, Separator	N/A	4	15
Roller, Upper Exit	N/A	20	91
Roller, Upper Inversion	29-26316-00	9	42
Roller, Upper Registration	N/A	14	6
Roller, Upper Relay	N/A	3	23
Roller, Vertical Feed	29-26286-00	10	45
Roller, Vertical Feed	29-26322-00	9	31
Saddle, Wire	N/A	21	51
Saddle, Wire	N/A	22	54
Scanner Assembly, Polygon	29-25834-00	15	6
Screen, Laser Tube	N/A	15	18
Screen, Sync Detector	N/A	15	32
Screw, (M5 x 20)	N/A	21	41
Screw, Adjustable Bracket Roller Frame	N/A	5	39
Screw, Adjustable Latch Lever	N/A	5	37
Screw, Basis (M4)	N/A	15	1
Screw, Control Bracket	N/A	24	10
Screw, Cover	N/A	24	6
Screw, Hex Hd. Set	N/A	13	68
Screw, Hex Hd. Set (M5 x 5)	N/A	13	66
Screw, Hex Headless Set (M4 x 4)	N/A	21	47
Screw, Hex Headless Set (M4 x 4)	N/A	9	12
Screw, Hex Headless Set (M4 x 4)	N/A	4	52
Screw, Hex Headless Set (M4 x 5)	N/A	9	62
Screw, Hex Headless Set (M4 x 5)	N/A	10	56
Screw, Hex Headless Set (M4 x 6)	N/A	18	38
Screw, Hex Headless Set (M5 x 5)	N/A	21	44
Screw, Hex Headless Set (M5 x 5)	N/A	10	57
Screw, Hex Headless Set (M5 x 6)	N/A	4	53
Screw, Hex Headless Set (M5 x 6)	N/A	5	58
Screw, Knob	N/A	16	30
Screw, Knob (M4 x 6.5)	N/A	22	81
Screw, Knob (M4 x 6.5)	N/A	12	13
Screw, Knob (M4 x 6.5)	N/A	13	49
Screw, Laser Band	N/A	15	4
Screw, Phi Hd w/Flat Washer	N/A	13	70
Screw, Phi Pan Hd w/Flat Washer (M3 x 6)	N/A	3	50
Screw, Phi Counter Sunk Hd. (M3 x 4)	N/A	24	26
Screw, Phi Flange (M4 x 6)	N/A	25	45
Screw, Phi Hd w/Flat Washer	N/A	13	61
Screw, Phi Hd. W/Flat Washer (M4 x 6)	N/A	19	20
Screw, Phi Hd. W/Flat Washer (M4 x 6)	N/A	20	48
Screw, Phi Hd. w/Flat Washer (M4 x 6)	N/A	5	69

# INDEX BY DEC PART DESCRIPTION

PrintServer 40/40 Plus

DESCRIPTION	DEC PART NO.	FIG. NO.	ITEM NO.
Screw, Phl Hd. w/Flat Washer (M4 x 6)	N/A	8	37
Screw, Phl Hd. w/Flat Washer (M4 x 6)	N/A	3	45
Screw, Phl Hd. w/Flat Washer (M4 x 8)	N/A	9	58
Screw, Phl Hd. w/Flat Washer (M4 x 8)	N/A	5	59
Screw, Phl Hd. w/Flat Washer (M5 x 8)	N/A	8	38
Screw, Phl Pan Hd (M3 x 5)	N/A	13	63
Screw, Phl Pan Hd (M3 x 5)	N/A	4	9
Screw, Phl Pan Hd (M4 x 10)	N/A	3	52
Screw, Phl Pan Hd (M4 x 6)	N/A	13	76
Screw, Phl Pan Hd (M43 x 12)	N/A	6	13
Screw, Phl Pan Hd No. 6-32 x 1/4	90-00049-01	27	14
Screw, Phl Pan Hd w/Flat Washer (M4 x 10)	N/A	20	103
Screw, Phl Pan Hd. (M3 x 14)	N/A	10	22
Screw, Phl Pan Hd. (M3 x 14)	N/A	14	25
Screw, Phl Pan Hd. (M3 x 4)	N/A	17	68
Screw, Phl Pan Hd. (M3 x 5)	N/A	25	42
Screw, Phl Pan Hd. (M3 x 5)	N/A	21	40
Screw, Phl Pan Hd. (M3 x 5)	N/A	15	38
Screw, Phl Pan Hd. (M3 x 5)	N/A	18	37
Screw, Phl Pan Hd. (M3 x 5)	N/A	17	69
Screw, Phl Pan Hd. (M3 x 5)	N/A	20	50
Screw, Phl Pan Hd. (M3 x 5)	N/A	9	59
Screw, Phl Pan Hd. (M3 x 5)	N/A	8	39
Screw, Phl Pan Hd. (M3 x 5)	N/A	2	34
Screw, Phl Pan Hd. (M3 x 6)	N/A	9	60
Screw, Phl Pan Hd. (M3 x 8)	N/A	25	47
Screw, Phl Pan Hd. (M3 x 8)	N/A	8	40
Screw, Phl Pan Hd. (M4 x 10)	N/A	20	98
Screw, Phl Pan Hd. (M4 x 10)	N/A	22	32
Screw, Phl Pan Hd. (M4 x 10)	N/A	17	67
Screw, Phl Pan Hd. (M4 x 10)	N/A	17	66
Screw, Phl Pan Hd. (M4 x 10)	N/A	13	46
Screw, Phl Pan Hd. (M4 x 10)	N/A	10	54
Screw, Phl Pan Hd. (M4 x 10)	N/A	4	55
Screw, Phl Pan Hd. (M4 x 10)	N/A	5	64
Screw, Phl Pan Hd. (M4 x 10)	N/A	3	41
Screw, Phl Pan Hd. (M4 x 10)	N/A	2	32
Screw, Phl Pan Hd. (M4 x 12)	N/A	15	34
Screw, Phl Pan Hd. (M4 x 12)	N/A	19	19
Screw, Phl Pan Hd. (M4 x 12)	N/A	5	63
Screw, Phl Pan Hd. (M4 x 14)	N/A	23	37
Screw, Phl Pan Hd. (M4 x 14)	N/A	10	55
Screw, Phl Pan Hd. (M4 x 14)	N/A	5	61
Screw, Phl Pan Hd. (M4 x 22)	N/A	25	41
Screw, Phl Pan Hd. (M4 x 22)	N/A	25	52
Screw, Phl Pan Hd. (M4 x 25)	N/A	15	35
Screw, Phl Pan Hd. (M4 x 4)	N/A	9	61
Screw, Phl Pan Hd. (M4 x 6)	N/A	23	34
Screw, Phl Pan Hd. (M4 x 6)	N/A	25	48
Screw, Phl Pan Hd. (M4 x 6)	N/A	24	25
Screw, Phl Pan Hd. (M4 x 6)	N/A	22	30
Screw, Phl Pan Hd. (M4 x 6)	N/A	20	68
Screw, Phl Pan Hd. (M4 x 6)	N/A	21	38
Screw, Phl Pan Hd. (M4 x 6)	N/A	20	62

# INDEX BY DEC PART DESCRIPTION

PrintServer 40/40 Plus

DESCRIPTION	DEC PART NO.	FIG. NO.	ITEM NO.
Screw, Phl Pan Hd. (M4 x 6)	N/A	22	78
Screw, Phl Pan Hd. (M4 x 6)	N/A	15	33
Screw, Phl Pan Hd. (M4 x 6)	N/A	18	36
Screw, Phl Pan Hd. (M4 x 6)	N/A	19	18
Screw, Phl Pan Hd. (M4 x 6)	N/A	17	65
Screw, Phl Pan Hd. (M4 x 6)	N/A	17	64
Screw, Phl Pan Hd. (M4 x 6)	N/A	16	31
Screw, Phl Pan Hd. (M4 x 6)	N/A	9	56
Screw, Phl Pan Hd. (M4 x 6)	N/A	10	53
Screw, Phl Pan Hd. (M4 x 6)	N/A	14	16
Screw, Phl Pan Hd. (M4 x 6)	N/A	13	44
Screw, Phl Pan Hd. (M4 x 6)	N/A	8	35
Screw, Phl Pan Hd. (M4 x 6)	N/A	8	34
Screw, Phl Pan Hd. (M4 x 6)	N/A	5	55
Screw, Phl Pan Hd. (M4 x 6)	N/A	7	8
Screw, Phl Pan Hd. (M4 x 6)	N/A	4	56
Screw, Phl Pan Hd. (M4 x 6)	N/A	6	9
Screw, Phl Pan Hd. (M4 x 6)	N/A	2	33
Screw, Phl Pan Hd. (M4 x 6)	N/A	2	35
Screw, Phl Pan Hd. (M4 x 8)	N/A	20	69
Screw, Phl Pan Hd. (M4 x 8)	N/A	22	79
Screw, Phl Pan Hd. (M4 x 8)	N/A	20	51
Screw, Phl Pan Hd. (M4 x 8)	N/A	9	57
Screw, Phl Pan Hd. (M4 x 8)	N/A	5	60
Screw, Phl Pan Hd. (M5 x 35)	N/A	5	65
Screw, Phl Pan Hd. (M5 x 40)	N/A	4	54
Screw, Phl Pan Hd. (M5 x 8)	N/A	25	39
Screw, Phl Pan Hd. (M5 x 8)	N/A	24	27
Screw, Phl Pan Hd. (M5 x 8)	N/A	22	80
Screw, Phl Self Tap (M4 x 6)	N/A	21	77
Screw, Phl Sunken Hd. (M3 x 10)	N/A	2	30
Screw, Phl Tapping (M4 x 8)	N/A	23	35
Screw, Phl Tapping (M4 x 8)	N/A	22	31
Screw, Phl Tapping (M4 x 8)	N/A	16	32
Screw, Phl Tapping (M4 x 8)	N/A	13	45
Screw, Phl Tapping (M4 x 8)	N/A	13	67
Screw, Phl Tapping (M4 x 8)	N/A	14	17
Screw, Phl Tapping (M4 x 8)	N/A	21	50
Screw, Phl Truss Hd. (M4 x 8)	N/A	7	15
Screw, Phl Truss Hd. (M4 x 6)	N/A	22	33
Screw, Phl Truss Hd. (M4 x 6)	N/A	20	49
Screw, Phl Truss Hd. (M4 x 6)	N/A	12	12
Screw, Phl Truss Hd. (M4 x 6)	N/A	8	36
Screw, Phl Truss Hd. (M4 x 6)	N/A	2	29
Screw, Phl W/Flat Washer (M4 x 10)	N/A	15	37
Screw, Phl w/Flat Washer (M4 x 12)	N/A	23	31
Screw, Phl w/Flat Washer (M4 x 6)	N/A	23	36
Screw, Phl w/Flat Washer (M4 x 6)	N/A	22	34
Screw, Phl W/Flat Washer (M4 x 6)	N/A	16	33
Screw, Phl W/Flat Washer (M4 x 6)	N/A	15	36
Screw, Phl W/Flat Washer (M4 x 6)	N/A	12	14
Screw, Phl w/Flat Washer (M4 x 6)	N/A	10	62
Screw, Phl W/Flat Washer (M4 x 6)	N/A	14	18
Screw, Phl w/Flat Washer (M4 x 6)	N/A	13	47

# INDEX BY DEC PART DESCRIPTION

PrintServer 40/40 Plus

DESCRIPTION	DEC PART NO.	FIG. NO.	ITEM NO.
Screw, Phi w/Flat Washer (M4 x 6)	N/A	2	31
Screw, Phi w1/Flat Washer (M4 x 6)	N/A	21	39
Screw, Self-Tapping Phi Pan Hd No. 6-32 x 1/2	90-09800-00	29	8
Screw, Sems Phi Pan Hd No. 6-32 x 1/4	90-10174-00	27	9
Screw, Sems Phi Pan Hd No. 6-32 x 5/16	90-10155-00	29	5
Screw, Sems Phi Pan Hd No. 6-32 x 5/8 (replaces 90-00049-01)	90-00062-10	28	4
Screw, Sems Phi Pan Hd No. 8-32 x 1/4	90-09545-00	30	6
Screw, Sems Phi Pan Hd No. 8-32 x 5/16	90-10174-01	28	8
Screw, Shoulder (M4)	N/A	3	49
Screw, Shoulder Spring	N/A	17	54
Screw, Shutter Stepping	N/A	22	44
Screw, Slot Hd. (M4)	N/A	6	7
Screw, Steps	N/A	3	10
Screw, Stepped	N/A	20	16
Screw, Stepped	29-26093-00	2	25
Screw, Stepped (M4)	N/A	10	44
Screw, Stepped (M4)	N/A	8	25
Screw, Stepping (M4)	N/A	21	1
Screw, Stepping (M4)	N/A	22	4
Screw, Tapping (M4 x 6)	N/A	20	96
Screw, Tapping (M4 x 8)	N/A	20	97
Screw, Tapping (M4 x 8)	N/A	13	48
Screw, Tapping (M4 x 8)	N/A	9	14
Screw, Toner Collecting	N/A	18	19
Screw, Toner Collection	N/A	17	2
Screw, Toner Transport	N/A	17	36
Screw, w/Flat Washer (M4 x 8)	N/A	25	44
Seal, Development Bottom Plate	N/A	17	61
Seal, Entrance	N/A	18	24
Seal, Front Brush Development	N/A	17	42
Seal, Front Rubber Development	N/A	17	41
Seal, Hopper	N/A	17	15
Seal, PCC	N/A	18	35
Seal, Rear Brush Development	N/A	17	30
Seal, Rear Rubber Development	N/A	17	29
Seal, Toner Supply Shutter	N/A	17	32
<b>SENSOR ASSEMBLY, HOME POSITION</b>	N/A	22	43
Sensor, LED Type S	29-25846-00	22	8
Sensor, LED Type S	N/A	20	74
Sensor, LED Type S	29-25846-00	22	45
Sensor, LED Type S	29-25846-00	13	10
Sensor, LED Type S	29-25846-00	13	83
Sensor, LED Type T	29-26339-00	10	21
Sensor, LED Type T	29-26339-01	5	43
Sensor, LED Type T	29-26339-00	4	8
Sensor, LED Type T	29-26339-00	3	2
Sensor, Oil End	29-25810-00	20	28
Sensor, Relay	29-26313-00	3	33
Sensor, Safety	29-26296-00	6	6
Sensor, Stack Over	29-26046-00	22	59
Sensor, Toner Density	29-25911-00	17	59
Shaft Assembly, Gear Pulley	N/A	21	74
Shaft, Adjustable Paper	N/A	5	30

# INDEX BY DEC PART DESCRIPTION

PrintServer 40/40 Plus

DESCRIPTION	DEC PART NO.	FIG. NO.	ITEM NO.
Shaft, Development Drive	N/A	21	22
Shaft, Drive Arm	N/A	13	15
Shaft, Drive Fusing	N/A	20	41
Shaft, Drum	N/A	16	9
Shaft, Elevator	N/A	5	9
Shaft, Feed	N/A	4	19
Shaft, Feed Roller	N/A	13	24
Shaft, Fulcrum Return Roller	N/A	9	33
Shaft, Fulcrum Vertical Feed Door	N/A	10	49
Shaft, Fusing Safety Switch	N/A	22	23
Shaft, Left Inversion Roller	N/A	9	37
Shaft, Lever	N/A	22	19
Shaft, Long Elevator Collar	N/A	5	5
Shaft, Lower Clutch	N/A	4	28
Shaft, Paper Separator	29-27206-01	4	45
Shaft, Pre-Feed Roller	N/A	13	23
Shaft, Pressure Pick-Up	N/A	4	21
Shaft, Pulse Generator	N/A	10	19
Shaft, Rear Adjustable Pulley	N/A	5	51
Shaft, Relay	N/A	3	19
Shaft, Relay Lock Lever	N/A	3	25
Shaft, Relay Roller Drive	N/A	21	23
Shaft, Separation Pawl	N/A	20	86
Shaft, Separation Roller	N/A	13	36
Shaft, Separation Roller	N/A	4	11
Shaft, Separation Roller Drive	N/A	13	42
Shaft, Short Elevator Collar	N/A	5	7
Shaft, Slant	N/A	3	27
Shaft, Transport Unit Lock	N/A	23	6
Shield, AC Bracket	74-28424-01	29	2
Shield, ESD	12-25646-01	29	11
Shield, Glass	29-25826-00	16	19
Shield, Rubber	N/A	16	25
Shutter, Jam Detection	N/A	20	73
Shutter, Lower Toner Supply	N/A	17	31
Shutter, Stackover Sensor	29-26045-00	3	7
Shutter, Upper Toner Supply	N/A	17	34
Slider, Cam	N/A	18	2
Socket, Front Heater	29-25853-00	20	39
Socket, Rear Heater	29-25807-00	20	13
SOLENOID ASSEMBLY, FEED (LN02)	29-26613-00	4	3
Solenoid, Developer Replacement	29-25857-00	21	5
Solenoid, Feed LCIT	29-25907-00	4	5
Solenoid, Inversion	29-25895-00	9	15
Solenoid, Junction Gate	29-25896-00	9	16
Solenoid, Pre-Feed Roller	N/A	13	81
Solenoid, Return	29-25890-00	9	24
Solenoid, Separation Pawl	29-25860-00	21	57
Solenoid, Toner Replenishment	29-26272-00	21	2
Solenoid, Vertical Feed	29-25897-00	9	28
Spacer, (8.1 x 11.5 x 0.1MM)	29-26235-00	17	79
Spacer, Development	N/A	17	63
Spacer, Non-Metallic No. 8	90-09672-01	30	4
Spacer, Side Elevator	N/A	5	22



# INDEX BY DEC PART DESCRIPTION

PrintServer 40/40 Plus

DESCRIPTION	DEC PART NO.	FIG. NO.	ITEM NO.
Spring, Adjustable Latch Lever	N/A	5	32
Spring, Anchor	N/A	22	48
Spring, Anchor	N/A	17	21
Spring, Anchor (M5 x 6)	N/A	21	14
Spring, Assistant Guide Plate	N/A	9	7
Spring, Belt	N/A	22	49
Spring, Bottle Sensor	N/A	22	6
Spring, Brake	N/A	21	36
Spring, Cartridge Lever	N/A	13	71
Spring, Cleaning Blade	N/A	21	58
Spring, Cleaning Blade	N/A	21	13
Spring, Corona Wire	N/A	18	7
Spring, Corona Wire	N/A	16	27
Spring, Development Knob	N/A	17	50
Spring, Feed Roller	N/A	10	48
Spring, Front Relay Lock Lever	N/A	3	20
Spring, Front Release Lever	N/A	20	95
Spring, Fusing Drive	N/A	20	8
Spring, Gear	N/A	17	44
Spring, Gear Slide	N/A	13	90
Spring, Inversion Roller	N/A	9	2
Spring, Inverter Roller	N/A	10	42
Spring, Junction Gate	N/A	9	17
Spring, Latch	N/A	10	34
Spring, Leaf Transport	N/A	19	2
Spring, Lever	N/A	17	20
Spring, Mirror Drive	N/A	21	73
Spring, Pick-Off Pawl Shaft	N/A	18	5
Spring, Pick-Up	N/A	4	18
Spring, Pre-Feed Roller Shaft	N/A	13	57
Spring, Pressure	N/A	20	42
Spring, Pressure	N/A	4	17
Spring, Pressure Arm	N/A	18	17
Spring, Pressure Exit Roller	N/A	20	87
Spring, Rear Relay Lock Lever	N/A	3	18
Spring, Rear Release Lever	N/A	20	81
Spring, Registration Roller	N/A	14	12
Spring, Relay Roller	N/A	3	17
Spring, Release Solenoid	N/A	21	64
Spring, Separation Pawl	N/A	20	85
Spring, Separation Pawl, Release Plate	N/A	20	82
Spring, Shutter	N/A	17	19
Spring, Solenoid	N/A	21	65
Spring, Tightener	N/A	17	55
Spring, Toner Collection Idler	N/A	17	8
Spring, Transport Release	N/A	23	2
Spring, Upper Cover	N/A	20	35
Spring, Vertical Feed Door	N/A	10	38
<b>SPROCKET ASSEMBLY</b>	<b>29-26608-00</b>	<b>10</b>	<b>11</b>
Sprocket, 12 (6MM)	N/A	9	27
Sprocket, 12T	N/A	17	52
Sprocket, 14T	N/A	17	45
Sprocket, 14T	N/A	9	21
Sprocket, 19T	N/A	9	22

# INDEX BY DEC PART DESCRIPTION

PrintServer 40/40 Plus

DESCRIPTION	DEC PART NO.	FIG. NO.	ITEM NO.
Sprocket, 25T	N/A	9	25
Sprocket, Tension	N/A	10	12
Stabilizer, Lamp	29-25874-00	22	38
Stacker Assembly, Face Down	30-25271-04	1A	4
Stacker Assembly, Face Down	30-25271-04	1	4
Stand, Adjustable	N/A	24	13
Stand, Adjustable	N/A	2	11
Stand, System (replaces 34-23503-01)	VT2XX-AA	1A	7
Stand, VT Terminal (replaces 34-23503-01)	VT2XX-AA	1	7
Stand-Off	N/A	25	14
Stand-Off, (M3.2 x 4)	N/A	25	46
Stay	N/A	10	7
Stay, Front Upper	N/A	23	27
Stay, Fusing Upper	N/A	23	25
Stay, Lower Relay Paper	N/A	3	24
Stay, Paper End	N/A	3	5
Stay, Paper Feed Assembly	N/A	13	12
Stay, Registration	N/A	14	7
Stay, Transport	N/A	19	3
Stay, Upper Relay Paper	N/A	3	32
Stopper, Arm	N/A	9	20
Stopper, Rubber	N/A	21	27
Stopper, Shutter	N/A	17	33
Stud, Cartridge Lever	29-26021-00	13	75
Stud, Cord Clamp A	N/A	22	51
Stud, Exit Assembly Release Lever	N/A	20	79
Stud, Latch	N/A	10	33
Stud, Lower Mounting	N/A	8	30
Stud, PCB	N/A	25	32
Stud, Rear Cover	N/A	8	10
Stud, Rear Cover	N/A	8	7
Stud, Upper Mounting	N/A	8	31
Sump, Oil	N/A	20	3
Support Assembly, Cleaning	N/A	18	34
Supporter, Shaft	N/A	14	15
Supporter, Shaft Transport Roller	29-27277-01	21	75
Switch w/Harness, Voltage Changing	29-26275-00	25	25
Switch, Cover Safety 100/120V	29-26344-00	8	27
Switch, Elevator	29-26306-00	6	8
Switch, Inter-Lock 2P	29-25873-00	22	22
Switch, Main Power	29-25884-00	25	4
Switch, Push AC	29-25865-00	6	5
Switch, Push AC	29-25865-00	22	9
Switch, Push Heater	29-25871-00	22	20
Switch, Transport Unit	29-25878-00	22	64
TABLE ASSEMBLY	N/A	24	1
Tank, Oil	N/A	20	65
Terminal, 600V (US)	29-26350-00	25	18
Terminal, Bias	29-26049-00	22	70
TERMINAL, VT320 VIDEO (w/Amber Phosphor)(240V)	VT320-C3	1A	6
TERMINAL, VT320 VIDEO (w/Amber Phosphor)(240V)	VT320-C3	1	6
TERMINAL, VT320 VIDEO (W/White Phosphor)(240V)	VT320-A3	1A	6
TERMINAL, VT320 VIDEO (w/White Phosphor)(240V)	VT320-A3	1	6

# INDEX BY DEC PART DESCRIPTION

PrintServer 40/40 Plus

DESCRIPTION	DEC PART NO.	FIG. NO.	ITEM NO.
TERMINAL, VT382 VIDEO (Monochr.)(Kanji Text)(240V)	VT382-FB	1	9
TERMINAL, VT382 VIDEO (w/White Phosphor) (KANJI, 240V)	VT382-FB	1A	9
Thermistor, Fusing	29-25809-00	20	27
Tie, Cable	90-07034-00	26	Not Shown
Tie, Cable	90-07031-00	27	8
Tie, Cable Self-Lock	90-07034-00	26A	Not Shown
Tightener, Cleaning/Fusing Drive Belt	N/A	21	72
Tightener, Drum Drive Belt	29-26041-00	21	53
Tightener, Relay	N/A	3	37
Tightener, Roller	N/A	3	38
Transformer	29-25887-00	25	1
Transformer (FDS)	29-25894-00	8	4
Transformer, 220/240V	29-27586-01	22	61
TRANSPORT ASSEMBLY (LN02)	29-26606-00	3	15
TRANSPORT UNIT	29-25849-00	11	7
TRANSPORT UNIT, PRINT ENGINE	29-25849-00	19	N/A
Tray Assembly, Large Capacity Input	30-25271-03	1A	3
Tray Assembly, Large Capacity Input	30-25271-03	1	3
TRAY ASSEMBLY, LARGE CAPACITY INPUT (EXTERIOR)	N/A	2	N/A
TRAY ASSEMBLY, LARGE CAPACITY INPUT/STACKER FACE DOWN	LN02X-AA	1	2
TRAY ASSEMBLY, LARGE CAPACITY INPUT/STACKER FACE DOWN	LN02X-AA	1A	2
Tray, Gear Head Motor	29-25901-00	5	47
Tray, Lower Bracket Paper Exit	N/A	8	21
Tray, Paper Exit	29-26018-00	8	2
Tray, Upper Bracket Paper Exit	N/A	8	1
TRAY/DRIVE ASSEMBLY, LARGE CAPACITY INPUT	N/A	5	N/A
TRAY/PAPER FEED ASSEMBLY, LARGE CAPACITY INPUT	N/A	4	N/A
TRAY/PAPER RELAY ASSEMBLY, LARGE CAPACITY INPUT	N/A	3	N/A
Tube, Cushion	N/A	14	14
Tube, Laser	29-25827-00	15	13
Tube, Rubber	N/A	21	63
UNIT COMPONENTS, SYSTEM CABINET	N/A	24	N/A
Washer, (5MM)	N/A	22	82
Washer, (6.5MM)	N/A	17	80
Washer, Flat No. 6 (deleted)	90-06659-00	27	16
Washer, Inner Toothed (M4)	N/A	5	70
Washer, Inner Toothed Lock (M5)	N/A	25	43
Washer, Lock (M5)	N/A	24	29
Washer, Phillips (M4)	N/A	8	49
Washer, Toothed (M4)	N/A	20	61
Washer, Toothed (M4)	N/A	8	41
Washer, Toothed (M4)	N/A	8	42
Washer, Toothed (M4)	N/A	2	36
Washer, Wave (8MM)	N/A	2	28
Wheel, Elevator Worm	29-26304-00	5	6
Wire Set, Main Corona	29-26267-00	1A	Not Shown
Wire Set, Main Corona	29-26267-00	1	Not Shown
Wire Set, T. Corona	29-26268-00	1	Not Shown
Wire Set, T. Corona	29-26268-00	1A	Not Shown

# INDEX BY DEC PART DESCRIPTION

PrintServer 40/40 Plus

DESCRIPTION	DEC PART NO.	FIG. NO.	ITEM NO.
Wire, AC Inlet Panel Grounding	N/A	25	11
Wire, Bottom Plate Grounding	N/A	25	7
Wire, Corona Cleaner	29-25814-00	18	33
Wire, Ground Development	N/A	17	18
Wire, Grounding	N/A	25	30
Wire, Grounding Upper	N/A	25	33
Wire, Main Corona	N/A	16	26
Wire, PCC Corona	29-25813-00	18	32
Wire, PD NF-PCB	N/A	25	16
Wire, PD T-G	N/A	25	19
Wire, Saddle (WS-2NS)	N/A	22	36
Wire, T & S Corona	N/A	16	28