

DEClaser 3500 Printer  
Font Module  
Installation Guide

EK-D350-FI.A01

**Digital Equipment Corporation**  
**Maynard, Massachusetts**

---

.....

**First Printing, June 1994**

Digital Equipment Corporation makes no representations that the use of its products in the manner described in this publication will not infringe on existing or future patent rights, nor do the descriptions contained in this publication imply the granting of licenses to make, use, or sell equipment or software in accordance with the description.

Possession, use, or copying of the software described in this publication is authorized only pursuant to a valid written license from Digital or an authorized sublicensor.

© Digital Equipment Corporation 1994. All Rights Reserved.

Printed in the U.S.A.

The following are trademarks of Digital Equipment Corporation: DECimage Plus, DEClaser, DECnet, DECprint, DECserver, DECstation, LATprint, OpenDECconnect, OpenVMS, PrintServer, ULTRIX, VAX, VAXstation, Digital, and the DIGITAL logo.

All other trademarks and registered trademarks are the property of their respective holders.

---

---

.....

## ELECTROSTATIC DISCHARGE

A discharge of static electricity from a finger or other conductor may damage circuit boards or other static-sensitive devices. This type of damage may reduce the life expectancy of the device. To prevent electrostatic damage, observe the following precautions:

- Avoid hand contact by transporting and storing parts in static-safe containers.
- Keep electrostatic-sensitive parts in their containers until they arrive at static-free work stations.
- Place parts on a grounded surface before removing them from their container.
- Avoid touching pins, leads, or circuitry.
- Always be properly grounded when touching a static-sensitive component or assembly.

## GROUNDING METHODS

Use one or more of the following grounding methods when handling or installing electrostatic-sensitive parts:

- Use a flexible wrist strap with a minimum of 1 megohm  $\pm$  10 percent resistance in the ground cord that is connected to a grounded workstation or the printer chassis. To provide a proper ground, wear the strap snug against the skin.
- Use heel straps, toe straps, or boot straps on both feet at standing workstations. Stand on conductive floors or dissipating floor mats.
- Use conductive field service tools.
- Use a portable field service kit with a folding static-dissipating work mat.

If you do not have the proper grounding equipment, have an Authorized Service Provider install the part.

**NOTE:** For additional information on static electricity, or assistance with the installation of this product, contact your Authorized Service Provider.

---

.....

## ITEMS NEEDED FOR INSTALLATION

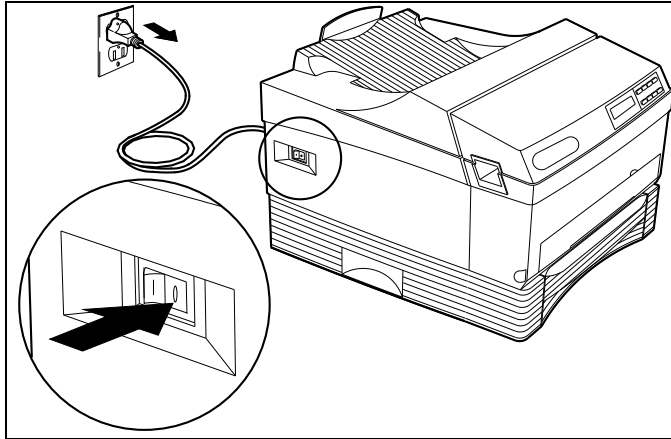
- Programmable Font Module Option Kit
- Nonmagnetic Phillips screwdriver



**CAUTION:** To avoid electrostatic damage to the printer option and/or system controller board, follow the safety precautions outlined in "Electrostatic Discharge."

---

### STEP 1



**TURN THE PRINTER OFF (O) AND UNPLUG THE POWER CORD.**



---

**WARNING:** Turn the printer off and unplug the AC power cord before attempting to remove the system controller board. Failure to do so may result in an electrical shock or damage to the printer.

**WARNUNG:** Schalten Sie den Drucker aus und ziehen Sie den Stecker des Netzteil-Adapters, bevor Sie die Systemsteuerungskarte ausbauen. Andernfalls besteht die Gefahr elektrischer Schläge oder einer Beschädigung des Druckers.

**AVERTISSEMENT:** Mettez l'imprimante hors tension et débranchez le cordon d'alimentation secteur avant d'enlever la carte contrôleur. Toute omission de votre part risquerait de provoquer une décharge électrique ou d'endommager l'imprimante.



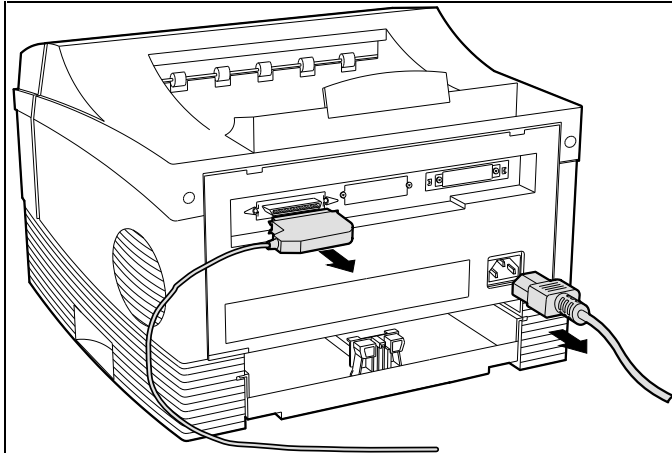
**AVVERTENZA:** Spegner la stampante e staccare il cavo di alimentazione CA prima di rimuovere la scheda del controller del sistema al fine di evitare scosse elettriche o danni alla stampante.

**ADVERTENCIA:** Apague la impresora y desenchufe el cable de alimentación de CA antes de extraer la tarjeta controladora del sistema o, del lo contrario, se puede producir una descarga electrostática o se puede estropear la impresora.

**WAARSCHUWING:** Schakel de printer uit en neem de stekker uit het stopcontact voordat u de systeem-controllerkaart verwijdert. Als u dit niet doet, kunt u een elektrische schok krijgen of de printer beschadigen.

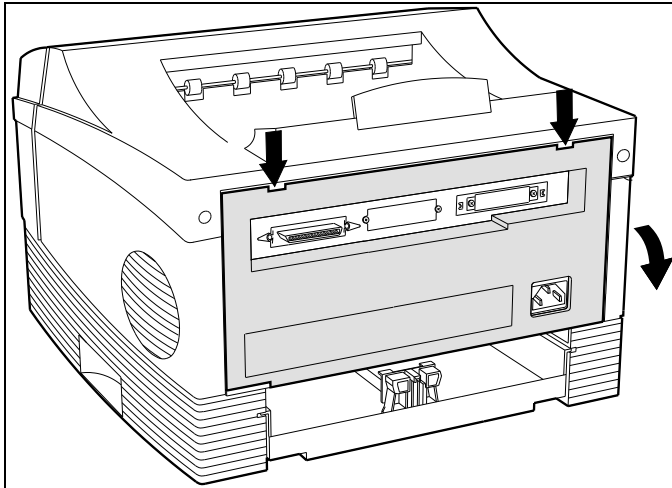
---

STEP 2



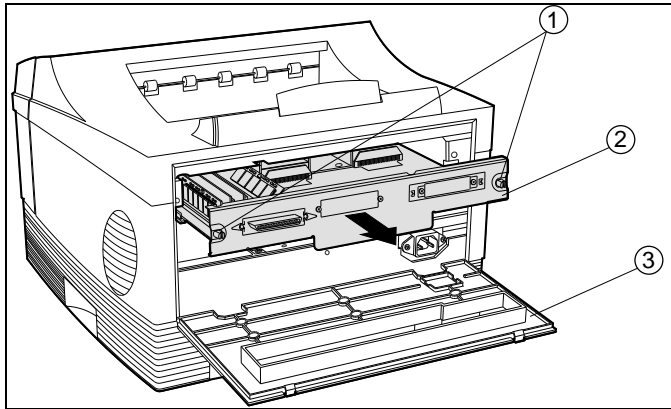
**DISCONNECT ALL CABLES FROM THE PRINTER.**

STEP 3



**PRESS DOWN ON THE TABS TO OPEN AND LOWER THE REAR COVER.**

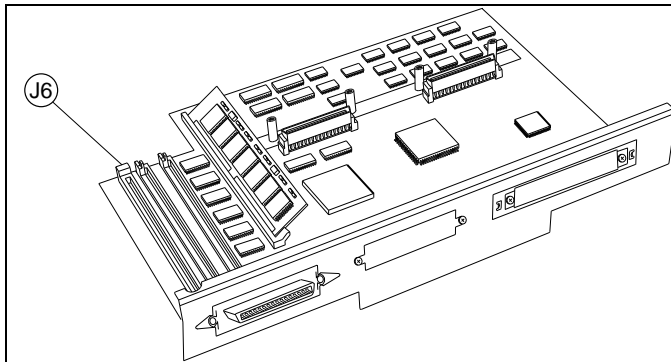
*STEP 4*



**LOOSEN THE SCREWS AND REMOVE THE SYSTEM CONTROLLER BOARD.**

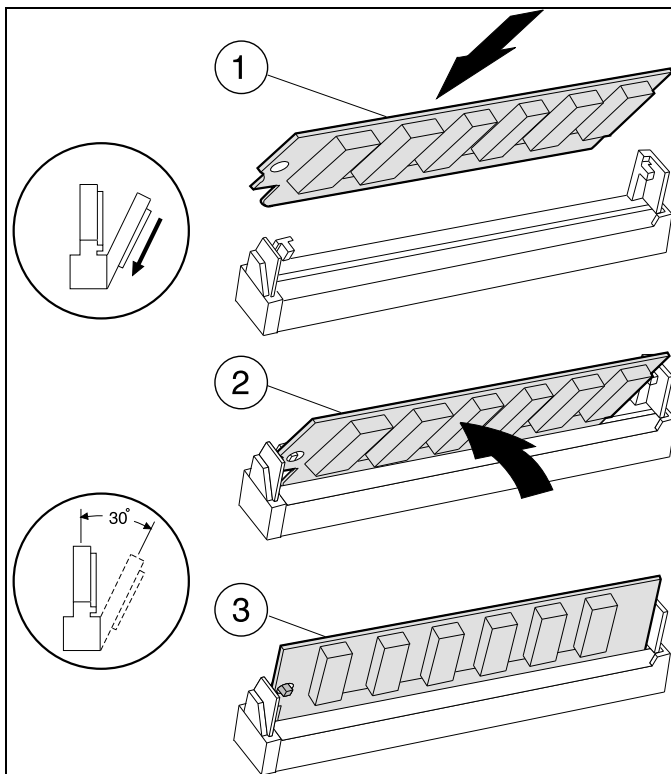
- 1 Thumbscrews
- 2 System Controller Board
- 3 Rear Cover

*STEP 5*



**LOCATE SLOT J6 ON THE CONTROLLER BOARD.**

STEP 6

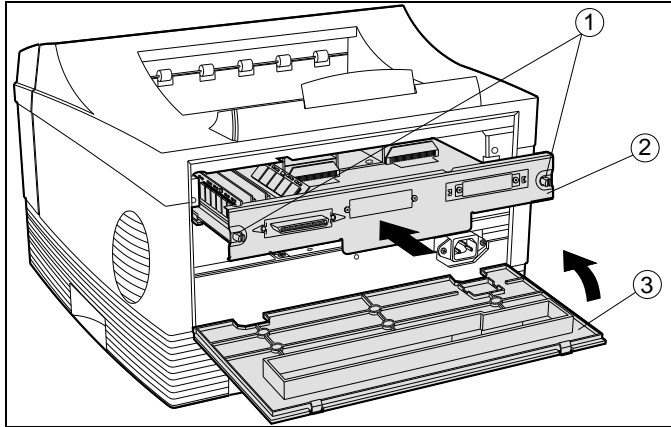


**INSTALL THE FONT MODULE.**

With the notched edge to the left, insert the module at a 30° angle into slot J6. Rotate it vertically until it snaps into place.



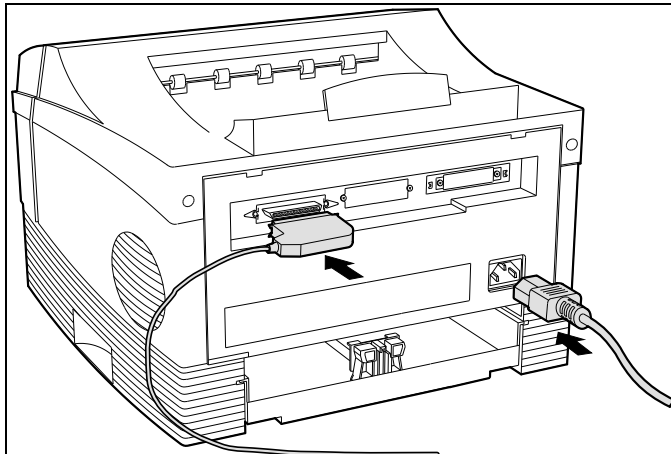
*STEP 7*



**REINSTALL AND SECURE THE CONTROLLER BOARD  
AND CLOSE THE REAR COVER.**

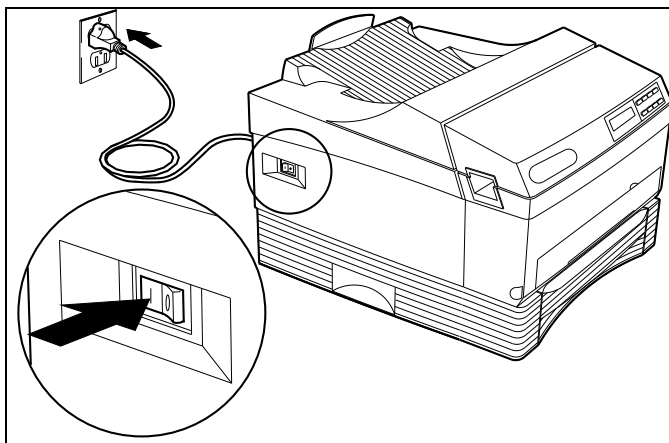
- 1 Thumbscrews
- 2 System Controller Board
- 3 Rear Cover

*STEP 8*



**RECONNECT ALL CABLES.**

STEP 9



**PLUG IN AND TURN ON (I) THE PRINTER.**

STEP 10

**PRINT A HARDWARE REPORT.**

Using the printer control panel:

1. Press the **Menu** key. The printer is placed offline and in menu mode.
2. Go to the Reports menu to print a Hardware Report.
3. After printing the report, press **Online (En ligne, Inlinea, En línea)** to place the printer back online.
4. Verify that the Font Module is listed on the report.

**TROUBLESHOOTING**

If the option you just installed is not listed on the Hardware Report, you should:

1. Make sure that the Font Module is properly installed and fully seated in the J6 slot.
2. Rerun the Hardware Report.
3. If the Font Module is still not listed, contact your Authorized Service Provider.